

Furnas brand W series pressure switches provide time tested, reliable control for automatic water systems. The switch is universally accepted for use as original equipment on water well pumps or pumping systems. Its simple design makes it easy to use for professionals and non-professionals alike.

GARD-ALL®

Switches combine the functions of a standard pressure switch with protection against low pressure. They prevent the pump from starting whenever the systems falls considerably below cut-in pressure. Upon restoration of the water supply, a manual reset lever is depressed until a build up of system pressure permits automatic operation.

Furnas Brand Class 69W Switch Standard Features Include:

- Corrosion resistant cover
- No wire looping
- Straight through wiring
- Visible contacts—2 pole, double throw
- No-drift pressure settings
- Captive cover screw
- Easy to adjust
- Two ratings—3 HP and 5 HP
- UL listed file #14861
- CSA certified file #LR36854

69W Water Systems

Discount Schedule E86

Min. Close Cut-In	Max. Open Cut-Out	Differential Range	Pressure Setting Adjustment Table	Horsepower				Factory Setting	NEMA 1 General Purpose Cat No.	Price \$
				1 Phase		3 Phase				
				120V	240V	240V	480/600V			
5 psi	65 psi	15-30 psi	A	1.5	2.0	3.0	—	30-50	69WA4	46.00
5 psi	80 psi	15-30 psi	B	2.0	3.0	5.0	1.0	30-50	69WB5	69.00
3 psi	35 psi	6-15 psi	C	2.0	3.0	5.0	1.0	5-10	69WB3	86.00
1 psi	12 psi	3-5 psi	D	2.0	3.0	5.0	1.0	3-7	69WB2	86.00

69W with Low Pressure Cut-Off

Min. Close Cut-In	Max. Open Cut-Out	Differential Range	Pressure Setting Adjustment Table	Horsepower				Factory Setting	NEMA 1 General Purpose Cat No.	Price \$
				1 Phase		3 Phase				
				120V	240V	240V	480/600V			
10 psi	70 psi	13-30 psi	Q	1.5	2.0	3.0	—	20-40	69WEC	62.00
10 psi	70 psi	13-30 psi	Q	2.0	3.0	5.0	—	20-40	69WFC	84.00

PSI Table A

Cut-In A	Cut-Out-B	
	Min.	Max.
5	15	35
10	21	40
20	32	50
30	43	60
40	53	65
50	64	65

PSI Table B

Cut-In A	Cut-Out-B	
	Min.	Max.
5	19	35
10	25	40
20	35	50
30	45	60
40	55	70
55	66	80
60	76	80
63	80	80

PSI Table C

Cut-In A	Cut-Out-B	
	Min.	Max.
3	9	18
5	11	20
10	16	25
15	21	30
20	26	35
25	31	40

PSI Table D

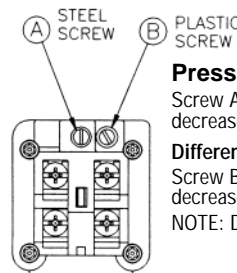
Cut-In A	Cut-Out-B	
	Min.	Max.
1	4	6
2	4.25	7.25
3	5.25	8.50
4	6.25	9.50
5	7.50	10.75
6	8.50	11.75

PSI Table Q

Cut-In A	Cut-Out-B	
	Min.	Max.
10	23	40
20	33	50
30	43	60
40	55	70

Electrical Ratings

Cat. No.	Control Circuit	Horsepower				
		1 Phase		3Phase		DC
		112V	240V	240V	480-600V	
69WA	A600	1.5	2.0	3.0	—	1/4
69WB	A600	2.0	3.0	5.0	1	1/2
69WE	A600	1.5	2.0	3.0	—	1/4
69WF	A600	2.0	3.0	5.0	—	1/3



Pressure Adjustment Settings

Screw A—Turn clockwise to increase and counterclockwise to decrease pressure range (both cut-in and cut-out).

Differential Adjustment

Screw B—Turn clockwise to increase and counterclockwise to decrease cut-out pressure.

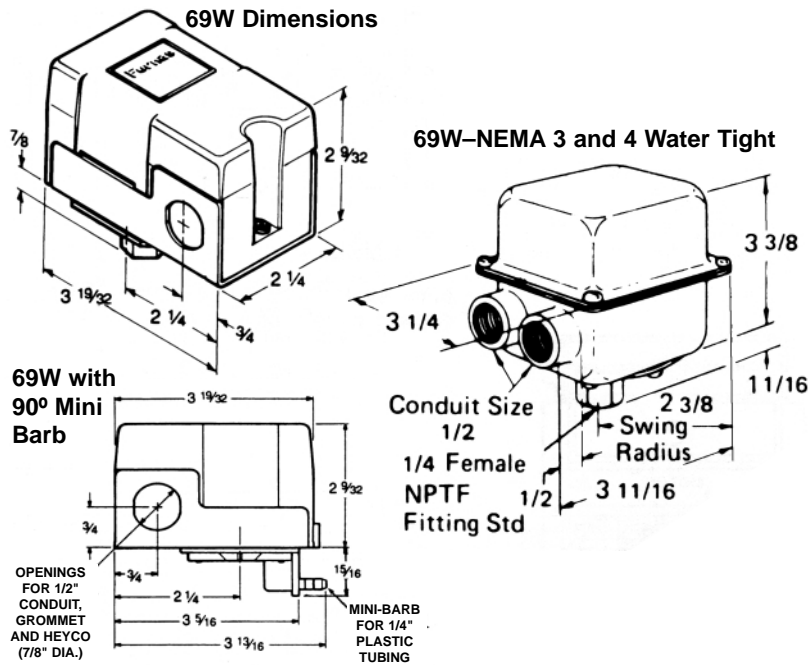
NOTE: Differentials shown on tables above are averages only.



69W Modifications

Description	Catalog Number Suffix Add suffixes in order shown	Unit Price Addition \$	Price Addition \$ 24 Switches Minimum
Auto-off disconnect lever	L	9.00	No Minimum
1/4" quick connects (load terminal only)	A		1.00
Pulsation orifice	B		1.00
Two rubber grommets for 1/2" conduit hole	G		3.00
NEMA 3 outdoor weatherproof enclosure- <i>Cannot be used with auto-off disconnect switch</i>	W	256.00	No Minimum
NEMA 4 watertight enclosure- <i>Cannot be used with auto-off disconnect switch</i>	X	384.00	No Minimum
Pipe Fittings			
1/4" male NPT	2A		N/C
1/8" female NPT	2B		3.00
3/8" female NPT	2J		N/C
Straight mini barb for 1/4" plastic tube	2M		3.00
90° mini barb for 1/4" plastic tube	2T		4.00
Special pressure settings: Suffix Z is followed by setting Example: 69WA4Z2040	Z†		N/C
1 NO and 1 NC contact Example: 69WD4	Change 4th character of Catalog Number to D		17.00

† See Instruction Sheet included with switch for manual adjusting instructions.



Replacement Parts

Description	Cat No.	Price \$
Grommets for 1/2" conduit hole	D00492001	1.50
Box connector for non-metallic cable fits 1/2" conduit hole	D35274001	2.00
Plastic pulsation plug	D20909001	1.00



Hubbell Industrial Controls, Inc.

A subsidiary of Hubbell Incorporated

4301 Cheyenne Dr., Archdale, NC 27262

Telephone (336) 434-2800 • Fax (336) 434-2803

<http://www.hubbell-icd.com>

Sales@hubbell-icd.com