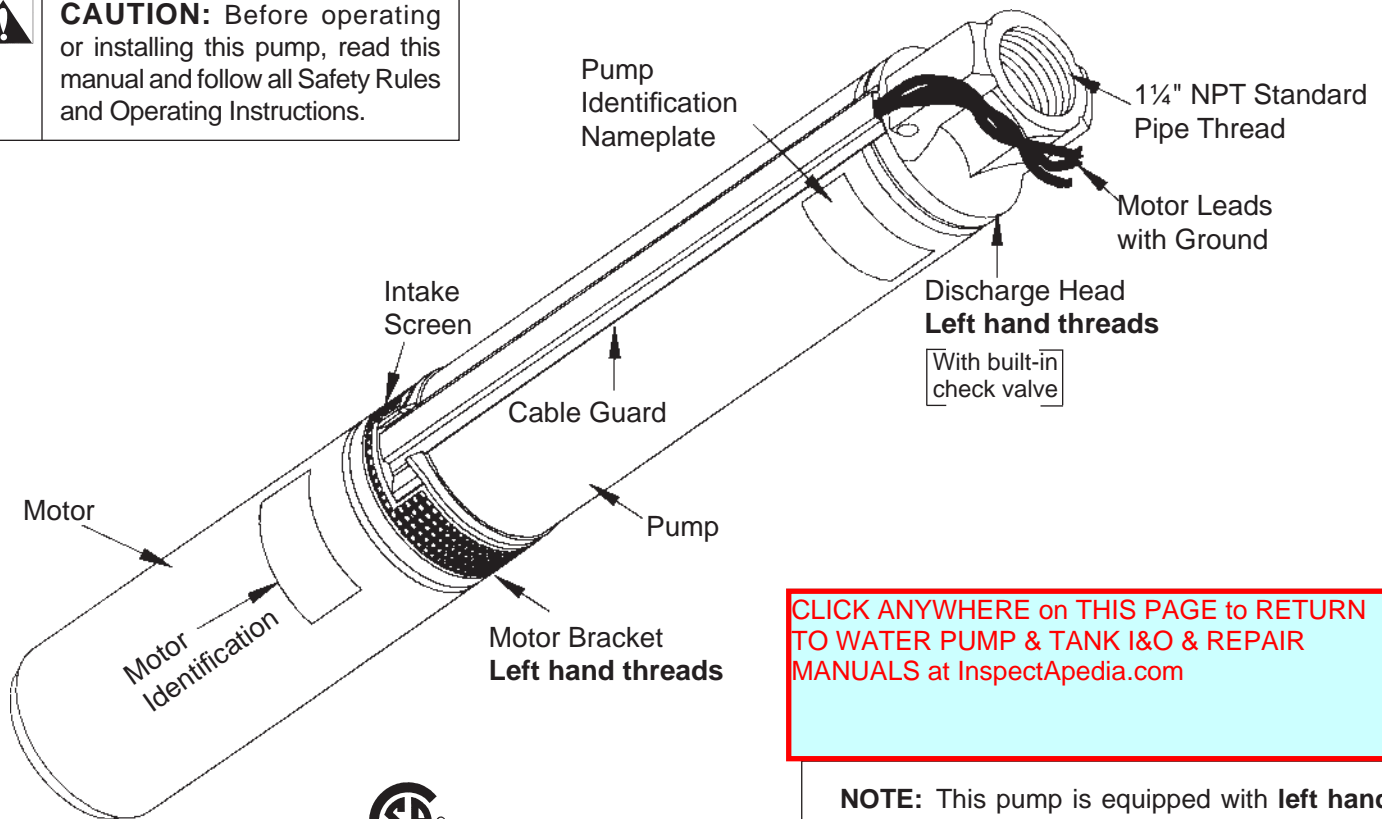


4" DEEP WELL SUBMERSIBLE PUMPS

INSTALLATION AND OPERATING INSTRUCTIONS FOR TWO & THREE WIRE 4" DEEP WELL PUMPS.

CAUTION: Before operating or installing this pump, read this manual and follow all Safety Rules and Operating Instructions.



CLICK ANYWHERE on THIS PAGE to RETURN TO WATER PUMP & TANK I&O & REPAIR MANUALS at InspectApedia.com

NOTE: This pump is equipped with **left hand threads on the discharge head and the motor bracket housing**. Internal pipe threads in the discharge head are 1-1/4" standard NPT.



INSPECT THE EQUIPMENT

Examine the pump when received to assure there has been no damage in shipping. Should there be any damage evident, report it immediately to the dealer from whom the pump was purchased. Please check the pump package to see that it includes the pump and motor (if your pump purchase includes a motor). Thermoplastic and stainless steel units include a built-in check valve in the discharge head. **A three wire plus a GROUND, single-phase pump REQUIRES a control box** which may be purchased separately if the pump model you have purchased does not include one. The control box must be matched to the pump motor. Make certain that your available voltage corresponds to the voltage required for your motor. Use only Franklin control boxes on Franklin motors. **Two wire plus GROUND pump/motor assemblies DO NOT require a control box.**

Please be sure to fill in the Installation Record on the following page. The information will be necessary should your system require servicing.

INSTALLATION RECORD

For future reference keep an accurate record of your installation. Be sure to accurately record the installation data in the area provided below. **In the package containing the owner's manual a second nameplate is furnished for identification purposes. This nameplate is to be affixed on to the control box, circuit breaker or fused disconnect switch.**

Purchased from _____	Draw Down Water Level (ft/m) _____
Pump Model No. _____	Wire Size (from pump to control box) Gauge _____
Pump Serial No. _____	Wire Size (from power source to control box) Gauge _____
Date of Installation _____	Distance Between the Well and the House (ft/m) _____
Discharge Pipe Size (in/mm) _____	Motor Spec. HP _____ PH _____ Volts _____ Amps _____
Inside Dia. of Well (in/mm) _____	(INCL.GROUND)
Well Depth (ft/m) _____	Motor Model No. _____ No. of Wires _____
Water Depth (ft/m) _____	Control Box Spec. _____ Volts _____ HP _____
Pump Depth (ft/m) _____	Control Box Model No. _____
Well Capacity (US GPM/LPM) _____	Power Supply - HZ _____ Volts _____ PH _____
	Pressure Switch (PSI) Cutin _____ Cutout _____

LIMITED WARRANTY

For warranty consideration, Franklin Electric Company, Inc. and its subsidiaries (hereafter "the Company") warrants that the products specified in this warranty are free from defects in material or workmanship of the Company. During the time periods and subject to the terms and conditions hereinafter set forth, the Company will repair or replace to the original user or consumer any portion of this product which proves defective due to materials or workmanship of the Company. At all times the Company shall have and possess the sole right and option to determine whether to repair or replace defective equipment, parts, or components. The Company has the option to inspect any product returned under warranty to confirm that the warranty applies before repair or replacement under warranty is approved. This warranty sets forth the Company's sole obligation and purchaser's exclusive remedy for defective product. Return defective product to the place of purchase for warranty consideration.

WARRANTY PERIOD - PRODUCTS: 36 months from date of purchase by the user (No warranty on brushes, impeller or cam on models with brush-type motors and/or flex-vane impellers). In the absence of suitable proof of the purchase date, the effective period of this warranty will begin on the product's date of manufacture.

LABOR, ETC. COSTS: The Company shall IN NO EVENT be responsible or liable for the cost of field labor or other charges incurred by any customer in removing and/or affixing any product, part or component thereof.

PRODUCT IMPROVEMENTS: The Company reserves the right to change or improve its products or any portions thereof without being obligated to provide such a change or improvement for units sold and/or shipped prior to such change or improvement.

GENERAL TERMS AND CONDITIONS: This warranty shall not apply to damage due to acts of God, normal wear and tear, normal maintenance services and the parts used in connection with such service, lightning or conditions beyond the control of the Company, nor shall it apply to products which, in the sole judgment of the Company, have been subject to negligence, abuse, accident, misapplication, tampering, alteration; nor due to improper installation, operation, maintenance or storage; nor to excess of recommended maximums as set forth in the instructions.

Warranty will be VOID if any of the following conditions are found:

1. Product is used for purposes other than those for which it was designed and manufactured
2. Product not installed in accordance with applicable codes, ordinances and good trade practices
3. Product connected to voltage other than indicated on nameplate
4. Pump used to circulate anything other than fresh water at approximately room temperature
5. Pump allowed to operate dry (fluid supply cut off)
6. Sealed motor housing opened or product dismantled by customer
7. Cord cut off to a length less than three feet

DISCLAIMER: Any oral statements about the product made by the seller, the Company, the representatives or any other parties, do not constitute warranties, shall not be relied upon by the user, and are not part of the contract for sale. Seller's and the Company's only obligation, and buyer's only remedy, shall be the replacement and/or repair by the Company of the product as described above. NEITHER SELLER NOR THE COMPANY SHALL BE LIABLE FOR ANY INJURY, LOSS OR DAMAGE, DIRECT, INCIDENTAL OR CONSEQUENTIAL (INCLUDING, BUT NOT LIMITED TO, INCIDENTAL OR CONSEQUENTIAL DAMAGES FOR LOST PROFITS, LOST SALES, INJURY TO PERSON OR PROPERTY, OR ANY OTHER INCIDENTAL OR CONSEQUENTIAL LOSS), ARISING OUT OF THE USE OR THE INABILITY TO USE THE PRODUCT, AND THE USER AGREES THAT NO OTHER REMEDY SHALL BE AVAILABLE TO IT. Before using, the user shall determine the suitability of the product for his intended use, and user assumes all risk and liability whatsoever in connection therewith. THE WARRANTY AND REMEDY DESCRIBED IN THIS LIMITED WARRANTY IS AN EXCLUSIVE WARRANTY AND REMEDY AND IS IN LIEU OF ANY OTHER WARRANTY OR REMEDY, EXPRESSED OR IMPLIED, WHICH OTHER WARRANTIES AND REMEDIES ARE HEREBY EXPRESSLY EXCLUDED, INCLUDING BUT NOT LIMITED TO ANY IMPLIED WARRANTY OF MERCHANTABILITY OR FITNESS FOR A PARTICULAR PURPOSE, TO THE EXTENT EITHER APPLIES TO A PRODUCT SHALL BE LIMITED IN DURATION TO THE PERIODS OF THE EXPRESSED WARRANTIES GIVEN ABOVE. Some states and countries do not allow the exclusion or limitations on how long an implied warranty lasts or the exclusion or limitation of incidental or consequential damages, so the above exclusion or limitations may not apply to you. This warranty gives you specific legal rights, and you may also have other rights which vary from state to state and country to country.

SAFETY INSTRUCTIONS

WARNING: General Precautions

- Review all the instructions before operating. Failure to follow these instructions could cause bodily injury and/or property damage.
- Though this pump is warranted to handle abrasives, pumping sand continuously shortens the life of the pump and motor and adversely affects their performance. To prevent the above from occurring, the pump & motor should be installed in fully developed wells having the proper well screening to prevent the pumping of abrasives.
- The pump and motor are water cooled and lubricated, and should be sized & used in a well that will provide adequate capacity to prevent running dry. The pump is designed to run dry for intermittent periods, **but the motor is not.**
- The pump, piping and system must be protected against freezing temperatures.
- Wear gloves & eye protection during assembly and installation as precautionary safety measures.
- Never use in swimming pools or pool areas.**

WARNING: Electrical Precautions

All wiring, electrical connections and system grounding must comply with the National Electrical Code (NEC) and with any local codes and ordinances. Employ a licensed electrician.

- A ground fault interrupter (GFI) protected circuit is recommended for use with any electrical device operating near water.
- Have a qualified electrician provide electrical power to the motor. For cable sizes see Table 1.
- Make sure the line voltage, frequency of the electrical current supply match the specifications printed on the motor.
- Be sure leads and ground wires are properly water proofed and securely connected.
- Ensure the motor is properly grounded.
- Always disconnect the power before servicing.
- Never test a pump or use outside a well without proper electrical grounding of the system.

**Table 1 - (American) Cable selection
Based on a 5% Voltage drop**

(Service entrance to motor - Maximum length in feet)
CAUTION: Use of smaller than recommended cable sizes voids motor warranty!

Two or three wire cable, 60 HZ

Motor		(AWG) Copper Wire Size							
HP	Volts	14	12	10	8	6	4	3	2
1/3	115	130	210	340	540	840	1300	1610	1960
	230	550	880	1390	2190	3400	5250	6520	7960
1/2	115	100	160	250	390	620	960	1190	1460
	230	400	650	1020	1610	2510	3880	4810	5880
3/4	230	300	480	760	1200	1870	2890	3580	4370
1	230	250	400	630	990	1540	2380	2960	3610
1 1/2	230	190	310	480	770	1200	1870	2320	2850
2	230	150	250	390	620	970	1530	1910	2360
3	230	120	190	300	470	750	1190	1490	1850
5	230	0	0	180	280	450	710	890	1110
7 1/2	230	0	0	0	200	310	490	610	750

1ft = .3048 meters

**Table 1 - (Canadian) Cable selection
Based on a 3% Voltage drop**

(Service entrance to motor - Maximum length in feet)
CAUTION: Use of smaller than recommended cable sizes voids motor warranty!

Two or three wire cable, 60 HZ

Motor		(AWG) Copper Wire Size							
HP	Volts	14	12	10	8	6	4	3	2
1/3	115	75	125	205	325	505	780	965	1175
	230	330	528	834	1314	2040	3150	3912	4775
1/2	115	60	95	150	235	370	575	715	875
	230	240	390	610	965	1505	2325	2885	3525
3/4	230	180	285	455	720	1120	1735	2145	2620
1	230	150	240	375	595	925	1425	1775	2165
1 1/2	230	115	185	285	460	720	1120	1390	1710
2	230	90	150	235	370	580	915	1145	1415
3	230	70	115	180	280	450	715	895	1110
5	230	0	0	105	165	270	425	535	665
7 1/2	230	0	0	0	117	180	285	355	437

1ft = .3048 meters

ASSEMBLY

TOOLS REQUIRED FOR ASSEMBLY

- Pipe wrenches
- Pipe vises or clamps
- Teflon tape
- Gloves & safety glasses
- CSA or UL approved PVC electrical tape
- Tripod with chain hoist or some other device to support the unit while lowering it into the well
- Miscellaneous wrenches / tools as needed

INSTALLATION

BEFORE YOU INSTALL YOUR PUMP – READ THESE INSTRUCTIONS THOROUGHLY!

APPLICATION

This pump is ideal for the supply of fresh water to rural homes, farms and cabins from drilled wells.

Submersible pumps are efficient, high in capacity, require very little maintenance, and are generally very economical for wells 60 feet (19 m) or more in depth.

GENERAL INFORMATION

NOTICE: The Model Number of your pump is located on the top portion of the pump shell. Record this number along with all pump installation data in the section provided on page 2, keep it in a safe place for future reference, in the event servicing is required. The most important things you should know about your well are: (1) its total depth; (2) depth to water; (3) draw down water level. (4) well capacity-GPM.

1. The well total depth is the distance from the ground level to the bottom of the well.
2. Depth to water is measured from the ground level to the water level in the well when the pump is not in operation.
3. Draw down water level is the distance from ground level to the water while water is being pumped from the well. In most wells, the water level drops when water is being pumped.
4. Well capacity is the amount of water in GPM the well produces without drawing down or water level dropping.

SUITABILITY OF WELL

IMPORTANT: The well should be fully developed by the driller. It **must** be pumped until all fine sand and foreign matter are removed **before the pump is installed**. Make sure the well is large enough to allow the pump to be set at the required depth. **Do not** set the pump below the casing perforations or well screen unless you are sure there is adequate flow of water around the motor for cooling. To determine the correct pump setting use the driller's records by taking into account the depth to water level and drawdown at the proposed pumping rate. Always keep the pump a minimum of five feet from the bottom of the drilled well.

GROUNDING

All wiring, electrical connections, and system grounding must comply with the National Electrical Code (NEC) and with any local codes and ordinances. Employ a licensed electrician.

Permanently ground all electrical components in accordance with National Electrical Code and applicable local codes and ordinances.

DO NOT ground to a gas supply line.

DO NOT connect to electric power supply until unit is permanently grounded.

If a plastic well casing is used in your installation, ground the metal well cap or well seal, providing electrical leads to the pump motor go through the well cap or well seal. Insure correct wire size is used.

Refer to local electrical code.

CABLE SPLICING METHODS

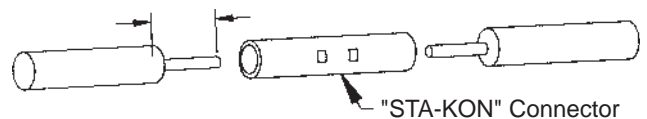
When the drop cable must be spliced or connected to the motor leads, it is necessary that the splice be water tight. The splice can be made with commercially available potting or heat shrink splicing kits. Follow the kit instructions carefully.

A) HEAT SHRINK TUBING METHOD

RECOMMENDED METHOD (KIT ORDER # 453820)

- 1) Strip about ½" of insulation from cable and lead ends.
- 2) Slide about 3" long heat shrink tubing over the cables.
- 3) Connect cable and lead ends with STA-KON or similar connectors (Figure 1).

Figure 1 - Heat Shrink Splicing



- 4) Position the tubing over the connection keeping the connector at its center.
- 5) Apply heat (about 135° C) evenly on the tubing and working from center outwards to avoid trapping air. While heated, the adhesive liner inside the tubing melts and the tubing shrinks quickly to encapsulate and insulate the connection. The adhesive liner seals the interfaces between the tubing and the connector cable. Perfect sealing is achieved when adhesive liner flows outside the tubing and seals the ends. While heating, care must be taken not to over heat the cable outside the tubing. This will damage the insulation of the cable.

B) TAPE METHOD (alternative)

SPLICING SUBMERSIBLE CABLES WITH TAPE

Tape splicing should use the following procedure.

See Figure 2.

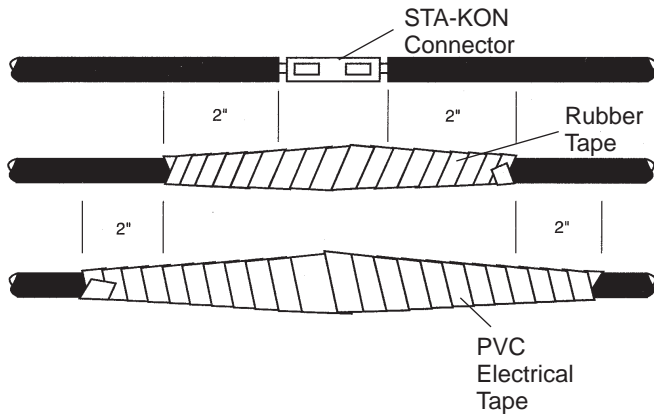
- 1) Strip individual conductor of insulation only as far as necessary to provide room for a stake type connector. Tubular connectors of the staked type are preferred. If connector O.D. is not as large as cable insulation, buildup with CSA/UL approved rubber electrical tape.
- 2) Tape individual joints with CSA/UL approved rubber electrical tape, using two layers; the first extending two inches beyond each end of the conductor insulation end, the second layer two inches beyond the ends of the first layer. Wrap tightly, eliminating air spaces as much as possible.
- 3) Tape over the rubber electrical tape with # 33 Scotch® or CSA/UL approved PVC electrical tape, (3M Canada Inc./ Minnesota Mining and Manufacturing Co.) or equivalent, using two layers as in step "2" and making each layer overlap the end of the preceding layer by at least two inches.

In the case of a cable with **three** or **four** conductors encased in

INSTALLATION

a single outer sheath, tape individual conductors as described, staggering joints. Total thickness of the tape should be no less than the thickness of the conductor insulation.

Figure 2 - Tape Splicing



The following test is recommended before installation. Cable and splice test for leaks to ground.

- 1) Immerse the cable and splice connections into a steel barrel with both ends out of the water, and not touching the barrel. (figure 3)
- 2) Set ohmmeter on RX 100K and adjust needle to zero (0) with leads clipped together.
- 3) Clip one ohmmeter lead to the barrel and the other to each cable lead individually.
- 4) If the needle deflects to zero (0) on any of the cable leads a faulty splice connection is indicated. To double check the faulty splice connection, pull the splice out of the water. If the needle now moves to ∞ (infinite resistance) the leak is in the splice.
- 5) Repairs should be made with CSA and or UL approved electrical Rubber & PVC tape.
- 6) If the leak is not in the splice, pull the cable out of the water slowly until the needle moves to ∞ . When the needle moves to ∞ the leak is at that point.

INSTALLING YOUR PUMP

PUMP LOCATION

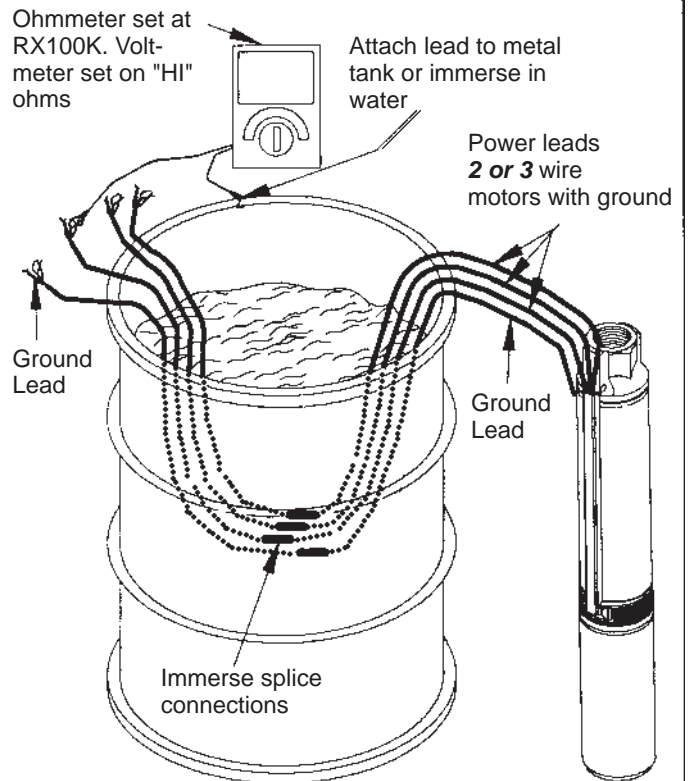
Your submersible pump should be installed no less than 5 feet (1.5 meters) from the bottom of your well.

CAUTION: To avoid accidental loss of the pump in the well, it is recommended that a 1/4" polypropylene rope be permanently attached to the eye provided on the discharge head of the pump. The other end of the polypropylene rope should be secured to an anchor at the well head.

DRILLED WELL INSTALLATION

- 1) Check your submersible pump and accessories for physical damage.
- 2) Check the electric supply for proper voltage, fusing, wire

Figure 3 - Cable Test



size, grounding, and transformer size.

- 3) Check the well casing. The upper edge of the casing should be perfectly smooth. Jagged edges could cut or scrape the cable and cause a short circuit.
- 4) Select your pipe. Use only CSA approved polyethylene pipe, semi-rigid plastic pipe or schedule 40 steel pipe for setting high pressure pumps. The pipe must have sufficient strength to withstand the system's maximum pressure. The pump discharge is 1 1/4". 1" pipe may be used on the 5, 7 & 10 gpm units. On 10 gpm units when depth to water level exceeds 300 feet (91 m) deep use only 1 1/4" pipe sizes. On 15 and 20 GPM units use only 1 1/4" pipe sizes. Ensure that you have the correct length of pipe required. The pump should be installed no less than 5 feet (1.5 meters) from the bottom of the well.

INSTALLING THE PUMP WITH POLYETHYLENE PIPE

- Wrap the thread of a 1 1/4" NPT x 1" male plastic pipe adaptor with teflon tape if 1" pipe is being installed.
- Install the adaptor into the pump discharge opening **while holding the discharge head with a pipe wrench to prevent the head from loosening from the pump housing.**
- Install two 1" **all stainless steel** hose clamps over one end of the pipe and tighten.
- Heat the polyethylene pipe to soften the pipe.
- Press the polyethylene pipe over the adaptor.
- Tighten clamps securely around the pipe over the adaptor end.
- As the pump and pipe are lowered into the well, the submersible wire cable must be secured to the discharge pipe 5 feet from the top of the pump using electrical tape or snap wire ties. Then repeat this procedure at 10 foot (3

INSTALLATION

m) intervals along the discharge piping.

NOTE: A pipe vise or collar clamp should always be firmly affixed to the upper end of the pipe as it is being lowered.

- When the pump has reached the desired depth, pass the pipe and cable through the openings in the well seal. The discharge pipe goes through the center hole and the cable through the conduit opening. **The well seal must be vented.**
- Cut polyethylene pipe. Place two 1" clamps over the end of the pipe.
- Heat the end of the pipe to soften the pipe.
- Install a 90 degree fitting at the top of the discharge pipe.

NOTE: If the pipe was not cut, and the last section of pipe has a female connector, use a 1" x 2" long nipple and then thread the elbow into the nipple. Use teflon tape to seal joints.

- A 1" well seal elbow may be used instead of the 1" male pipe thread adaptor and elbow.
- Install the well seal into the well casing by tightening down cap screws on the well seal. **The well seal must be vented.**
- Continue pipe connection to the tank location in the house. Continue securing the submersible pump cable to the pipe. Additional clamps and fittings will be required to make the necessary connections at the elbow and at the control center.

INSTALLING THE PUMP WITH SEMI-RIGID PLASTIC PIPE

- Wrap the thread of the pipe with teflon tape.
- Thread the first section of the pipe into the pump discharge opening.
- Sections are available in 10 and 20 foot lengths. Use a pipe coupling and solvent to join pipe sections together.

NOTE: A pipe vise or collar clamp should always be firmly affixed to the upper end of the pipe as it is being lowered.

- As the pipe is lowered, the submersible wire cable must be secured to the discharge pipe 5 feet from the top of the pump using electrical tape. Then repeat this procedure at 10 foot (3 m) intervals along the discharge piping.
- When the pump has reached the desired depth, pass the pipe and cable through the openings in the well seal. The discharge pipe goes through the centre hole and the cable through the conduit opening. The well seal must be vented.
- Cut the last section to the length required.
- Install a 1" or 1¼" male connector over the end of the pipe using solvent to weld the pieces together.
- Wrap the threads of a 90 degree plastic elbow with teflon tape.
- Thread the elbow into the male connector.

NOTE: If the pipe was not cut, and the last section of pipe has

a female connector, use a 2" long nipple and then thread the elbow into the nipple.

- Install the well seal into the well casing by tightening down cap screws on the well seal. **The well seal must be vented.**
- Continue pipe connection to the tank location in the house. Continue securing the submersible pump cable to the pipe. Additional clamps and fittings will be required to make the necessary connections at the elbow and at the control center.

INSTALLING THE CONTROL CENTER

(Figure 5)

Note: Teflon tape must be used on all thread joints.

- Wrap the outside thread of the tank control centre with teflon tape at position (A) and thread into tank opening (see fig. 4). Control center will thread directly into 1" opening in the side of the pre-charged tank.
- Install the pressure gauge with a ¾" x ¼" bushing at the opening marked position (B) on the control centre.
- Install A pressure switch or "loss of pressure" switch using ¼" x 3" nipple at the opening position (C) in the control centre.
- Connect pipe coming from well and pump to position (E) in the control center using the appropriate male plastic pipe adapter and clamp, if polyethylene is used, or thread directly into control center if ABS or steel pipe is used.
- Proceed from position (D) on the control centre to house service lines.

NOTE: The use of teflon tape is recommended on all threaded joints.

NOTE: It is recommended that the 1 HP and 1½ HP models should not be installed where the pumping level is less than 30 m (100 ft.).

LAKE OR LARGE DIAMETER WELL INSTALLATION

All wiring, electrical connections and system grounding must comply with the National Electrical Code (NEC) and with any local codes and ordinances. Employ a licensed electrician.

If a pump is installed in a lake or large diameter well, a flow inducer sleeve must be placed around the motor. The sleeve should have an inside diameter of 4" to 6", and be composed of corrosion resistant metal or heavy plastic. The sleeve will ensure proper flow of water around the motor for cooling purposes. The flow inducer sleeve is closed off above the pump intake and extends to the bottom of the motor or lower as shown in Figure 6.

INSTALLATION

Figure 4 - Tank Openings

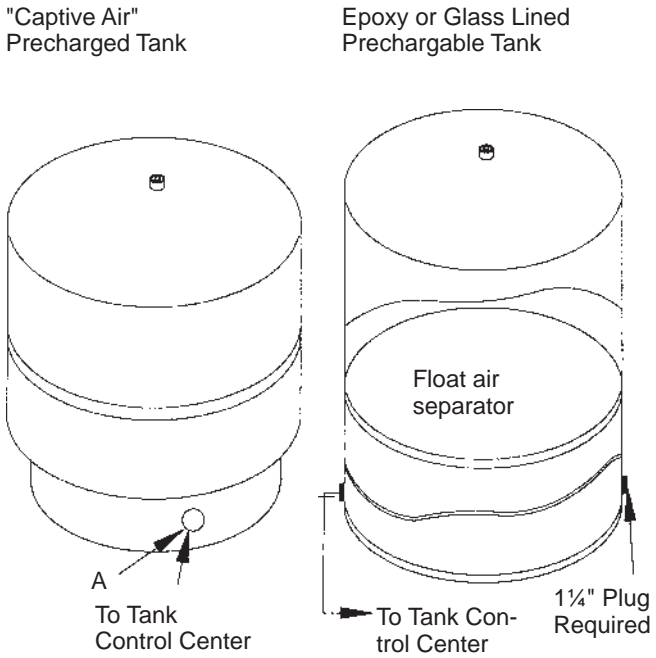


Figure 6 - Flow Inducer Sleeve

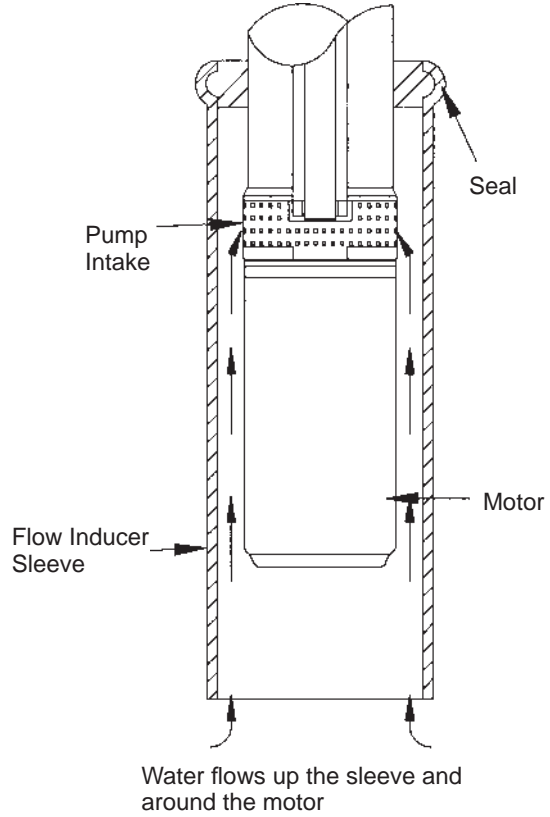
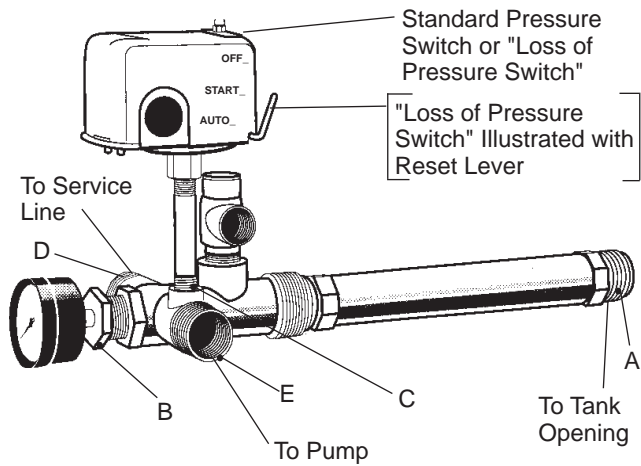


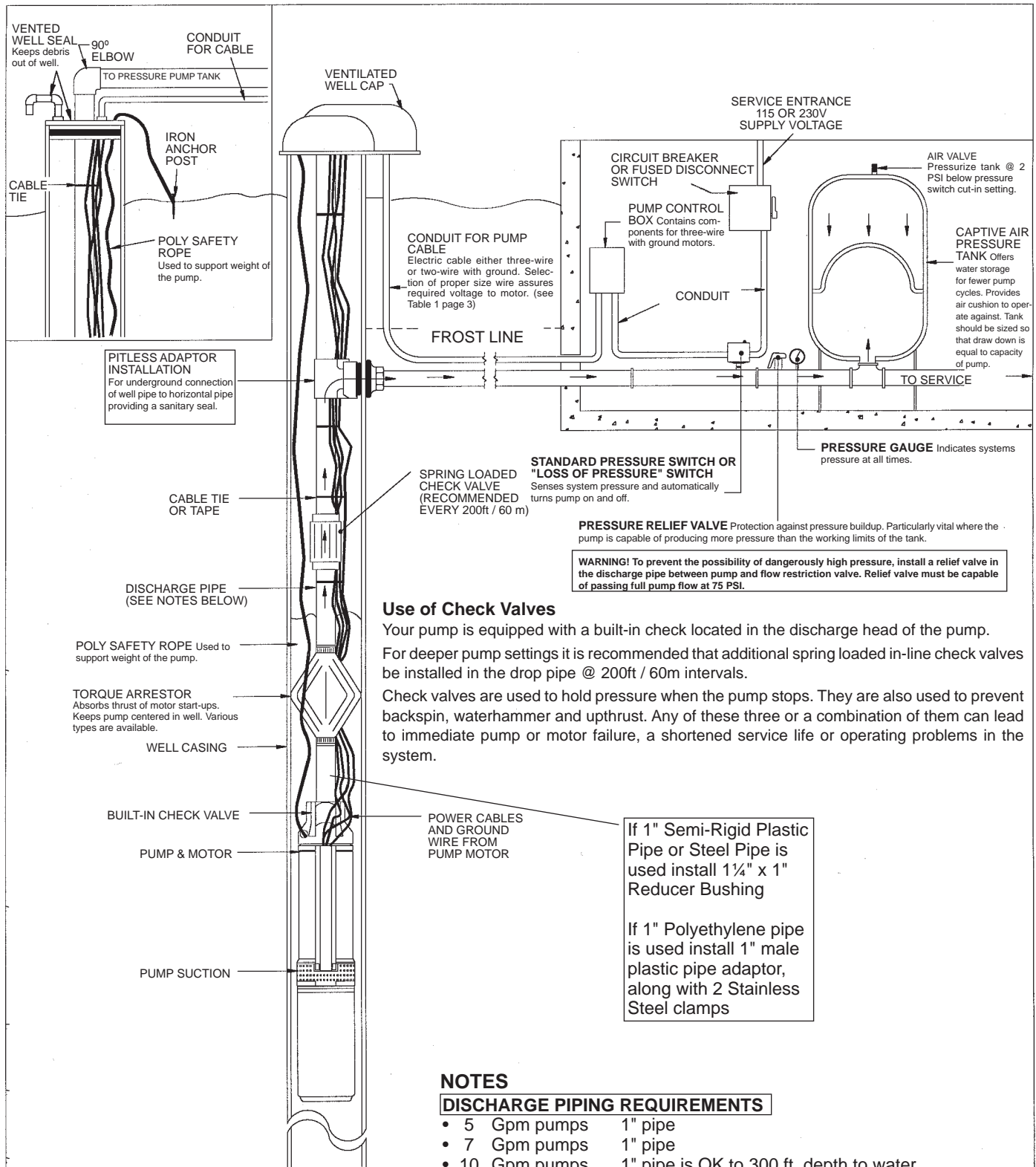
Figure 5 - The Control Center



INSTALLATION

Figure 7 - Pump Installation

**PICTORIAL OF 3 WIRE SYSTEM WITH AND WITHOUT A PITLESS ADAPTOR
(SEE PAGE 10 FIG. 9 IN THIS MANUAL FOR WIRING DIAGRAMS)**



Use of Check Valves

Your pump is equipped with a built-in check located in the discharge head of the pump. For deeper pump settings it is recommended that additional spring loaded in-line check valves be installed in the drop pipe @ 200ft / 60m intervals. Check valves are used to hold pressure when the pump stops. They are also used to prevent backspin, waterhammer and upthrust. Any of these three or a combination of them can lead to immediate pump or motor failure, a shortened service life or operating problems in the system.

If 1" Semi-Rigid Plastic Pipe or Steel Pipe is used install 1¼" x 1" Reducer Bushing

If 1" Polyethylene pipe is used install 1" male plastic pipe adaptor, along with 2 Stainless Steel clamps

NOTES

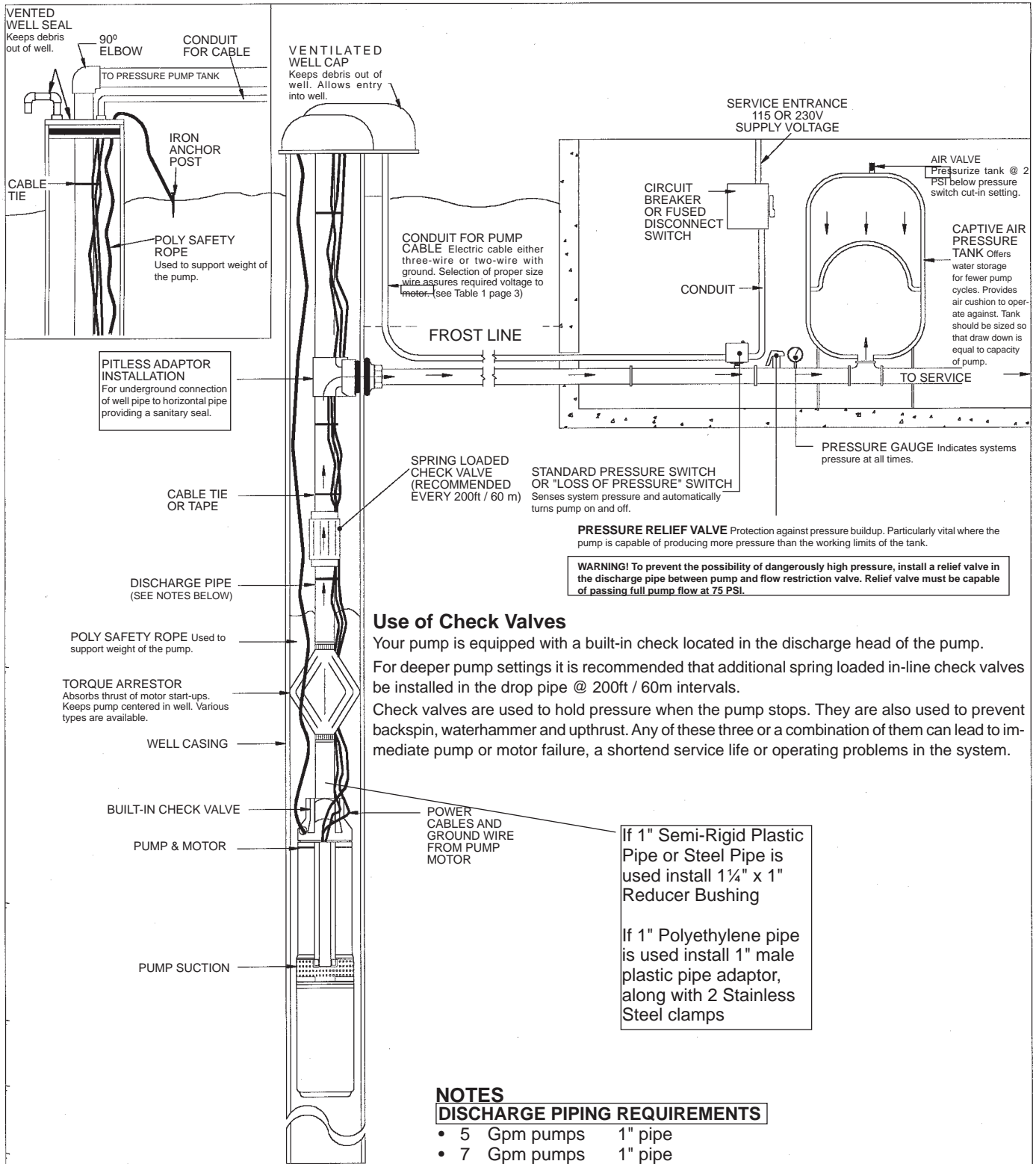
DISCHARGE PIPING REQUIREMENTS

- 5 Gpm pumps 1" pipe
- 7 Gpm pumps 1" pipe
- 10 Gpm pumps 1" pipe is OK to 300 ft. depth to water
- 10 Gpm pumps 1¼" pipe if the depth to water exceeds 300 ft.

INSTALLATION

Figure 8 - Pump Installation

**PICTORIAL OF 2 WIRE SYSTEM WITH AND WITHOUT A PITLESS ADAPTOR
(SEE PAGE 10 FIG. 9 IN THIS MANUAL FOR WIRING DIAGRAMS)**



WARNING! To prevent the possibility of dangerously high pressure, install a relief valve in the discharge pipe between pump and flow restriction valve. Relief valve must be capable of passing full pump flow at 75 PSI.

Use of Check Valves

Your pump is equipped with a built-in check located in the discharge head of the pump. For deeper pump settings it is recommended that additional spring loaded in-line check valves be installed in the drop pipe @ 200ft / 60m intervals. Check valves are used to hold pressure when the pump stops. They are also used to prevent backspin, waterhammer and upthrust. Any of these three or a combination of them can lead to immediate pump or motor failure, a shortened service life or operating problems in the system.

If 1" Semi-Rigid Plastic Pipe or Steel Pipe is used install 1 1/4" x 1" Reducer Bushing

If 1" Polyethylene pipe is used install 1" male plastic pipe adaptor, along with 2 Stainless Steel clamps

**NOTES
DISCHARGE PIPING REQUIREMENTS**

- 5 Gpm pumps 1" pipe
- 7 Gpm pumps 1" pipe
- 10 Gpm pumps 1" pipe is OK to 300 ft. depth to water
- 10 Gpm pumps 1 1/4" pipe if the depth to water exceeds 300 ft.

INSTALLATION

ELECTRICAL CONNECTIONS

(Figure 9)

WARNING: Electrical precautions

ALL WIRING, ELECTRICAL CONNECTIONS AND SYSTEM GROUNDING MUST COMPLY WITH THE NATIONAL ELECTRICAL CODE (NEC) AND WITH ANY LOCAL CODES AND ORDINANCES. A LICENSED ELECTRICIAN SHOULD BE EMPLOYED.

WARNING: Risk of Electrical Shock

Employ a licensed electrician to do the electrical wiring. A separate circuit breaker in your home's electrical panel is required. A ground fault interrupter (GFI) protected circuit should be used for all electrical devices operating near water. Install a properly fused disconnect switch in the line and make certain the wiring is adequately sized and well insulated.

Undersized wire between the motor and the power source will adversely limit the starting and load carrying abilities of the motor and void warranty. Minimum wire sizes for motor branch circuits are recommended in Table 1, Page 3.

For safety, the pump motor must be properly grounded.

For fusing requirements see Table 2.

- ❑ Turn off main power supply to pump before attempting in wiring
- ❑ Turn the pressure switch control lever to the "OFF" position, (if your switch is equipped with a control lever) disconnecting the switch.
- ❑ Remove the cover from the pressure switch by loosening the cover nut. Connect the wires coming from the power source to the "LINE" terminals on the pressure switch. **Use no less than 14 gauge wire to the terminals on the pressure switch.**
- ❑ Cut the submersible wire cable to length from the well and connect the wires to the "LOAD" terminals on the pressure switch.

Table 2 - Circuit Breaker or Fuse Requirements
(SINGLE PHASES 2 AND 3 WIRE FRANKLIN MOTORS)

Motor Horsepower	Number of wires	Voltage supply	Breaker or fuse size	
			standard	delay
1/3 HP	2 or 3 wire	115	25	10
		230	15	5
1/2 HP	2 or 3 wire	115	30	15
		230	15	7
3/4 HP	2 or 3 wire	230	20	9
1 HP	2 or 3 wire	230	25	12
1-1/2 HP	2 wire	230	35	15
1-1/2 HP	3 wire	230	30	15
2 HP	3 wire	230	30	15
3 HP	3 wire	230	45	20
5 HP	3 wire	230	70	30

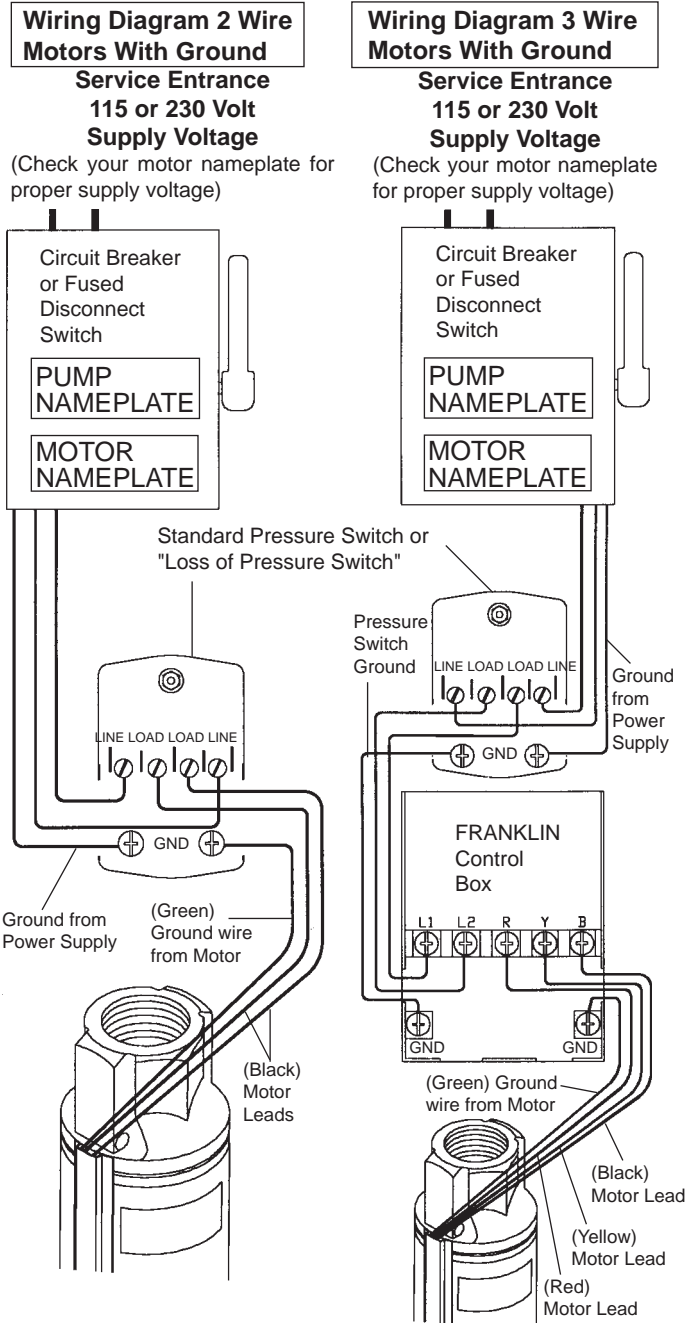
- ❑ Replace the cover on the pressure switch and reset lever to **AUTO** if your switch is so equipped.

STARTING THE PUMP

Turn the circuit breaker switch to the "ON" position to start pump. Pump should start building pressure immediately. Allow pump to run until water runs clear.

NOTE: If your pressure switch is equipped with a loss of pressure cut-off switch (with a lever) it will be necessary for you to hold the lever in the start position until the pump builds sufficient pressure to remain on without holding lever in the start position. The pump will run until system pressure builds up to the cutoff setting of the switch. The system will operate automatically between the cut-in & cut-out pressure settings on the switch.

Figure 9 - Wiring Diagram



MAINTENANCE

No regular maintenance is required on a submersible pump. However, it is advisable to check the wiring and piping annually.

TROUBLESHOOTING

SYMPTOM	CAUSE	REMEDY
Your pump delivers little or no water	<ol style="list-style-type: none"> 1. Water level in a low producing well drops too low while pump is operating, causing it to air lock. (Resulting in loss of prime and possibly serious damage to the pump) 2. Intake screen is partially plugged. 3. Check valve(s) may be stuck. 4. Voltage is too low; the motor runs slowly, causing low discharge pressure (head) and high operating current draw. 	<ol style="list-style-type: none"> 1. Lower the pump further into the well, but make sure it is at least five feet from the bottom of the well. Install a control valve in the discharge pipe between the pump and pressure tank. Use the control valve to restrict the flow until the discharge rate does not exceed well recovery rate. WARNING! To prevent the possibility of dangerously high pressure, install a relief valve in the discharge pipe between pump and flow restriction valve. Relief valve must be capable of passing full pump flow at 75 PSI. 2. Lime or other matter in the water may build up on screen. Pull pump and clean screen. 3. Make sure that the built-in check valve in the pump and any check valves in the discharge line are free to open properly. 4. Have a certified electrician verify voltage at the electrical disconnect box (2 wire) or control center (3 wire) while the pump is operating. If the voltage is low, the power company may need to raise it or installation may require larger wire. Discuss this with the power company or a licensed electrician.
Air or milky water discharges from your faucets	<ol style="list-style-type: none"> 1. Well water may be gaseous. 	<ol style="list-style-type: none"> 1. If your well is naturally gaseous and your system has a standard tank, remove the bleeder orifices and plug the tees. If the condition is serious, check with certified well professionals.
Pump starts too frequently	<ol style="list-style-type: none"> 1. Leak in the pressure tank or plumbing. 2. Pressure switch is defective or out of adjustment. 3. Check valve is leaking. 4. Tank is waterlogged. 5. Drop pipe leaking. 6. Pressure switch is too far from the tank. 	<ol style="list-style-type: none"> 1. Check all connections with soapsuds for air leaks. Fix any leaks you find. Check the plumbing for water leaks. Fix any leaks you find. 2. If necessary, replace switch. 3. Inspect valves and replace if necessary. 4. Captive Air[®] Tanks: Check the tank for leaks; correct if possible. Precharge tanks to 18 PSI with a 20-40 PSI switch, 28 PSI for a 30-50 PSI switch, 38 PSI for a 40-60 PSI switch, etc. Standard tanks: Check the tank for leaks; correct if possible. Check bleeder orifices and clean bleeders; replace if necessary. 5. Raise one length of pipe at a time until the leak is found. When water stands in the pipe there is no leak below this point. 6. Move the pressure switch to within one foot of the tank.
Fuses blow or overload protector trips when the motor starts	<ol style="list-style-type: none"> 1. Fuses or wires are too small. 2. Low or high voltage. 3. Cable splices or motor windings grounded, shortened, or open. 4. 3-wire only; Cable leads may be improperly connected in pump control box, pressure switch or fused disconnect switch. 5. 3-wire only; there may be a broken wire in the pump control box. 6. 3-wire only; Starting or running capacitor in control box may be defective or vented (blown out). 	<ol style="list-style-type: none"> 1. Replace with correct wire sizes (see Table 1 on page 3). 2. While motor is running, voltage should not exceed plus 5% or minus 5% or rated voltage shown on motor nameplate. Call the electric power company to adjust line voltage if not within these limits. 3. Consult certified electrician or service technician. 4. Check wiring diagram on pump control box (also see Figure 9 on page 10) and color coding of drop cable. 5. Employ certified electrician examine all connections and wiring in control panel. If necessary, repair them. 6. Inspect capacitors. Employ a certified electrician to check capacitors & replace them if necessary. <p>WARNING! hazardous voltage, can shock, burn, or cause death. Capacitors may still carry voltage charges even after being disconnected from wiring. Have them checked by a certified electrician.</p>

TROUBLESHOOTING

SYMPTOM	CAUSE	REMEDY
<p>Motor will not start but does not blow fuses.</p> <p>WARNING! Hazardous voltage. Can shock, burn, or cause death. Employ a qualified electrician should work on electrical service.</p>	<ol style="list-style-type: none"> 1. No voltage to motor. 2. Cable splices or motor windings may be grounded, shorted, or open-circuited. 3. Open circuit in pump control box (3-wire only); faulty connections; faulty wires. 4. Faulty pressure switch. 5. 3-wire only; Cable leads improperly connected in the control center. 	<ol style="list-style-type: none"> 1. With a voltmeter check; 1) fuse box to make sure full voltage is available; 2) pressure switch terminals, to make sure pressure switch is passing voltage correctly; and 3) terminal strips in pump control box or disconnect switch box to make sure voltage is available there. On 1 ½ through 3 HP: Push red overload reset button(s) on the bottom of control center. 2. Consult certified electrician or service technician. Do not attempt to disassemble pump or motor. 3. Examine all connections and wires; examine terminal strips in the control center (3-wire only); repair if necessary. 4. Check pressure switch; replace if necessary. 5. Check wiring diagram on control center panel (or see Figure 9 on page 10 of this manual) and color coding of drop cable.
<p>Pressure switch fails to shut off pump.</p>	<ol style="list-style-type: none"> 1. Voltage is too low; motor will run slowly, causing low discharge pressure (head) and high operating current draw. 2. Faulty pressure switch. 3. Drop pipe is leaking. 4. Water level in the well may become too low when pump is running. 	<ol style="list-style-type: none"> 1. Have a certified electrician verify voltage at the electrical disconnect box (2-wire) or the pump control box (3-wire) while the pump is operating. If the voltage is low, your power company may need to raise it or installation may require larger wire. Discuss with the power company or a certified electrician. Check voltage with a recording meter if trouble reoccurs. 2. Replace switch. 3. Raise one length at a time until the leak is found. When water stands in the pipe, there is no leak below this point. 4. Lower pump further into well, make sure it is between five and ten feet from the bottom of the well. Install a valve into the discharge pipe between the pump and the pressure tank. Use the valve to restrict flow until discharge rate does not exceed the well recovery rate. <p>WARNING! To prevent the possibility of dangerous high pressure, install a relief valve in the discharge pipe between the pump and flow restriction valve. The relief valve must be capable of passing full pump flow at 75 PSI.</p>
<p>Fuses blow or overload protector trips when motor is running.</p>	<ol style="list-style-type: none"> 1. Low or high voltage. 2. 3-Wire only: High ambient (atmospheric) temperature. 3. 3-Wire only: pump Control box wrong horsepower or voltage for installation. 4. Wire size is too small. Improperly connected in the pump control box. 5. Cable splices or motor windings may be grounded, shorted or open-circuited. 	<ol style="list-style-type: none"> 1. While the motor is running, voltage should not exceed plus 5% or minus 5% of rated voltage shown on motor nameplate. Call your power company to adjust line voltage if it is not within these limits. 2. Make sure the pump control box is installed out of direct sunlight. 3. Compare horsepower and voltage rating of motor (from motor nameplate) with those of the pump control box (from pump control box nameplate). These numbers must match. 4. See Table 1 on page 3 of this manual and make sure the wire sizes match specifications in the Table. 5. Consult certified electrician or a service technician to determine if this is the cause of the problem or not. Do not attempt to disassemble pump or motor.

**Toll Free Help Hotline:
1-800-667-1457**

RED LION
51 Burmac Road, P.O. Box 429
Winnipeg, Manitoba, Canada
R3C 3E4

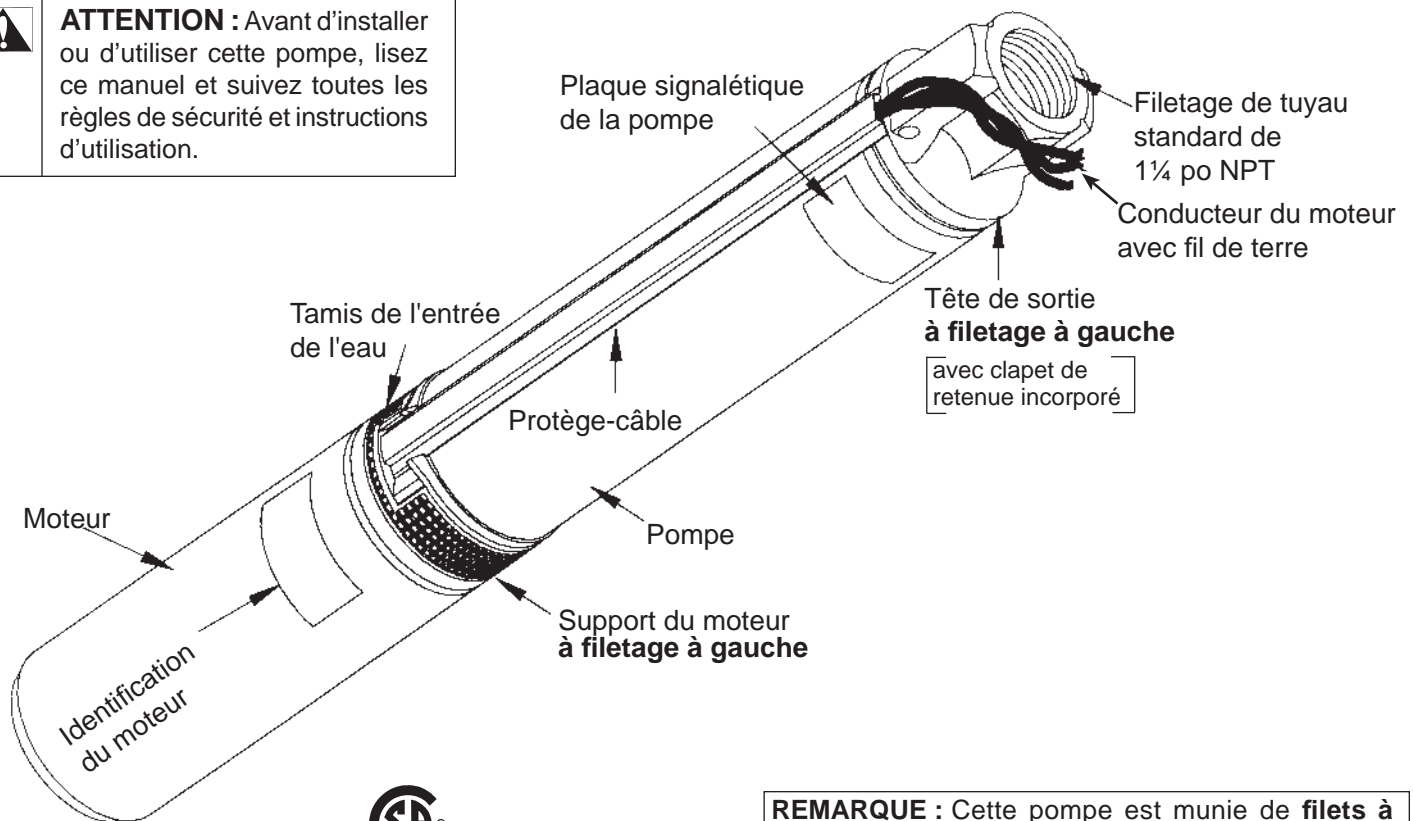
Phone: (877) 337-2650
Fax: (204) 255-5214
www.redlionproducts.com



INSTRUCTIONS D'INSTALLATION ET D'UTILISATION POUR LES POMPES DE 4 PO À DEUX ET TROIS FILS POUR Puits PROFONDS



ATTENTION : Avant d'installer ou d'utiliser cette pompe, lisez ce manuel et suivez toutes les règles de sécurité et instructions d'utilisation.




NRTL/C
CSA 108
UL 778

REMARQUE : Cette pompe est munie de filets à gauche sur la tête de sortie et sur le boîtier de support du moteur. Dans la tête de sortie, il y a un filetage NPT standard de 1-1/4 po.

INSPECTEZ L'ÉQUIPEMENT

Examinez bien la pompe dès sa réception, pour vous assurer qu'elle n'a pas été endommagée en cours de route. Si vous constatez des avaries évidentes, signalez-les immédiatement au concessionnaire qui vous a vendu la pompe. Assurez-vous aussi que l'emballage contient la pompe et le moteur (si la pompe achetée comprend un moteur). Les modèles en thermoplastique et acier inoxydable comprennent un clapet de retenue dans la tête de sortie. **Une pompe à courant monophasé à trois fils avec PRISE DE TERRE EXIGE une boîte de contrôle** que vous pourrez vous procurer séparément si elle n'accompagne pas le modèle que vous avez acheté. La boîte de contrôle utilisée doit convenir au moteur de la pompe. Assurez-vous que la tension électrique disponible correspond au courant dont votre moteur a besoin. Employez toujours une boîte de contrôle Franklin pour un moteur Franklin. **Les modèles à deux fils avec PRISE DE TERRE n'exigent PAS de boîte de contrôle.**

N'oubliez pas de remplir la Fiche d'installation sur la page suivante. Les renseignements seront nécessaires si votre système doit être réparé.

FICHE D'INSTALLATION

Au cas où ces renseignements vous seraient utiles plus tard, veuillez les noter avec soin. N'oubliez pas d'inscrire les données de l'installation aux endroits prévus à cet effet ci-dessous. **Dans l'emballage qui contient le manuel du propriétaire, vous trouverez aussi une deuxième plaque signalétique que vous pourrez utiliser à des fins d'identification. Cette plaque signalétique devrait être posée sur la boîte de contrôle, le disjoncteur ou le sectionneur à fusible.**

Fournisseur : _____

Numéro de modèle de la pompe : _____

Numéro de série de la pompe : _____

Date d'installation : _____

Diamètre du tuyau de sortie (po/mm) : _____

Diamètre intérieur du puits (po/mm) : _____

Profondeur du puits (pieds/mètres) : _____

Profondeur de l'eau (pieds/mètres) : _____

Profondeur de la pompe (pieds/mètre) : _____

Capacité du puits (gallons U.S. par minute/litres par minute) : _____

Niveau de rabattement de l'eau (pieds/mètres) : _____

Calibre du fil (de la pompe à la boîte de contrôle) : _____

Calibre du fil (de la source de courant à la boîte de contrôle) : _____

Distance entre le puits et la maison (pieds/mètres) : _____

Caractéristiques du moteur : CV _____ Phase(s) _____ Volts _ Ampères _____

Numéro de modèle du moteur : _____

Nombre de fils (y compris le fil de terre) : _____

Caractéristiques de la boîte de contrôle : _____ Volts __ CV _____

Numéro de modèle de la boîte de contrôle : _____

Alimentation électrique : Hertz _____ Volts __ Phase(s) _____

Manostat (livres par pouce carré) : Démarrage _____ Arrêt _____

GARANTIE LIMITÉE

Lors des requêtes en garantie, Franklin Electric Company, Inc. et ses filiales (ci-après appelée « l'Entreprise ») garantit les produits spécifiés dans cette garantie contre tout défaut de matériaux et de main-d'œuvre. Pendant les périodes couvertes par la garantie et selon les conditions indiquées dans la présente, l'Entreprise réparera ou remplacera toute partie de ce produit présentant une défaillance liée aux matériaux ou à la main-d'œuvre, et ce uniquement auprès du premier utilisateur ou acheteur. En tout temps, l'Entreprise conserve le droit et l'option de déterminer si un équipement, des pièces ou des composants défectueux doivent être réparés ou remplacés. L'Entreprise peut inspecter tout produit sous garantie qui lui est retourné afin de confirmer que la garantie s'applique, avant d'approuver la réparation ou le remplacement. Cette garantie stipule l'unique obligation de l'Entreprise et le recours exclusif de l'acheteur pour un produit défectueux. Retourner le produit défectueux au détaillant pour les requêtes en garantie.

PÉRIODE DE GARANTIE – PRODUITS : 36 mois à partir de la date d'achat par l'utilisateur. (Aucune garantie n'est offerte pour les balais, le rotor ou la came sur les modèles avec moteur à balais et/ou rotor flexible à palettes.) En l'absence d'une preuve adéquate de la date d'achat, la période d'application commencera à partir de la date de fabrication.

COÛTS DE MAIN-D'ŒUVRE, ETC. : EN AUCUN CAS l'Entreprise ne pourra être tenue responsable du coût de la main-d'œuvre ou d'autres frais encourus par un client lors de la dépose et/ou de la réparation d'un produit, d'une partie ou d'un composant.

AMÉLIORATIONS DU PRODUIT : L'Entreprise se réserve le droit de modifier ou d'améliorer ses produits, ou une quelconque de leur partie, sans obligation de fournir une telle modification ou amélioration aux appareils déjà vendus et/ou expédiés avant que de telles modifications ou améliorations n'aient été apportées.

CONDITIONS ET MODALITÉS GÉNÉRALES : Cette garantie ne couvre pas les dommages causés par une catastrophe naturelle, l'usure normale, la foudre ou des conditions hors du contrôle de l'Entreprise; et elle ne couvre pas non plus les services d'entretien normaux et aux pièces usées associés à un tel service, ni les produits qui, selon le jugement exclusif de l'Entreprise, ont été exposés à la négligence, l'abus, un accident, une application inappropriée, une altération, une modification; ni aux dommages causés par une installation, une utilisation, un entretien ou un entreposage inadéquat; ni à une utilisation au-delà des maximums. La garantie est NULLE si l'une des conditions suivantes s'applique :

1. Le produit est utilisé pour des applications autres que celles pour lesquelles il a été conçu et fabriqué.
2. Le produit n'est pas installé dans le respect des codes et règlements applicables et selon les bonnes pratiques acceptées dans l'industrie.
3. Le produit a été branché à une tension autre que celle indiquée sur la plaque signalétique.
4. La pompe a été utilisée avec des liquides autres que de l'eau douce approximativement à la température ambiante.
5. La pompe a fonctionné à sec (alimentation en liquide coupée).
6. Le carter moteur scellé a été ouvert ou le produit a été démonté par le client.
7. Le cordon a été coupé à une longueur inférieure à 0,9 m (3 pieds).

AVIS DE NON-RESPONSABILITÉ : Toute déclaration verbale portant sur le produit, faite par le vendeur, l'Entreprise, les représentants ou toute autre partie ne constitue pas une garantie et ne peut être considérée par l'utilisateur comme faisant partie du contrat de vente. La seule obligation du vendeur ou de l'Entreprise et le seul recours de l'acheteur est le remplacement et/ou la réparation du produit par l'Entreprise, comme il est décrit ci-dessus. LE VENDEUR OU L'ENTREPRISE NE PEUT ÊTRE TENU RESPONSABLE POUR TOUTE BLESSURE, PERTE OU DOMMAGE DIRECT, INDIRECT OU CONSÉCUTIF (INCLUANT MAIS SANS S'Y LIMITER LES DOMMAGES INDIRECTS OU CONSÉCUTIFS LIÉS À UNE PERTE DE PROFITS, UNE PERTE DE VENTES, DES BLESSURES OU DES DOMMAGES MATÉRIELS, OU TOUT AUTRE INCIDENT OU PERTE CONSÉCUTIVE), RÉSULTANT DE L'UTILISATION OU DE L'IMPOSSIBILITÉ D'UTILISER LE PRODUIT; DE PLUS, L'UTILISATEUR ACCEPTE QU'AUUCUN AUTRE RECOURS N'EST DISPONIBLE. Avant de commencer à utiliser le produit, l'utilisateur doit déterminer si ce produit est adapté à l'usage prévu; et l'utilisateur assume tous les risques et toutes les responsabilités qui sont liés à cette utilisation. LA GARANTIE ET LES MESURES CORRECTIVES DÉCRITES DANS LA PRÉSENTE GARANTIE LIMITÉE CONSTITUENT UNE GARANTIE ET DES MESURES CORRECTIVES EXCLUSIVES EN LIEU ET PLACE DE TOUTE AUTRE GARANTIE ET MESURE CORRECTIVE, EXPRESSE OU IMPLICITE; ET TOUTE AUTRE GARANTIE ET MESURE CORRECTIVE EST EXPRESSÉMENT EXCLUE, INCLUANT, MAIS SANS S'Y LIMITER, TOUTE GARANTIE IMPLICITE DE QUALITÉ MARCHANDE OU D'ADAPTATION À UN USAGE PARTICULIER. Certaines juridictions et certains pays interdisent les exclusions ou les limitations de durée d'une garantie implicite ou l'exclusion ou la limitation des dommages indirects ou consécutifs; les limitations ou exclusions ci-dessus pourraient donc ne pas s'appliquer à votre cas. Cette garantie vous donne des droits légaux spécifiques et vous pourriez également jouir d'autres droits qui varient selon la juridiction ou le pays.

INSTRUCTIONS DE SÉCURITÉ

AVERTISSEMENT – Précautions générales

- Passez les instructions en revue avant d'utiliser la pompe. Si vous négligez de vous conformer à ces instructions, il pourrait s'ensuivre des blessures corporelles et/ou des dommages matériels.
- Bien que cet appareil ait été conçu pour pomper des matières abrasives, un pompage continu de sable écourtera la durée utile de la pompe et du moteur, en plus d'affecter leur performance. Pour prévenir de tels problèmes, la pompe et le moteur devraient être installés dans un puits bien développé doté d'un tamis approprié pour empêcher le pompage de matières abrasives.
- La pompe et le moteur sont refroidis et lubrifiés par l'eau. Par conséquent, on ne doit jamais les installer dans un puits qui pourrait s'assécher. La pompe peut tourner à sec pendant de courtes périodes, **mais pas le moteur**.
- La pompe, la tuyauterie et le système doivent être protégés contre le gel.
- Portez des gants et un dispositif de protection pour les yeux durant l'assemblage et l'installation de la pompe.
- N'utilisez jamais cette pompe dans ou à proximité d'une piscine.**

AVERTISSEMENT - Précautions concernant l'électricité

Le câblage, les connexions électriques et la mise à la terre du système doivent tous être conformes aux exigences du Code national de l'électricité et de tous les règlements ou codes locaux en vigueur. Faites appel à un électricien compétent.

- On vous recommande de toujours utiliser un circuit à détecteur disjoncteur de fuite à la terre avec n'importe quel appareil électrique qui fonctionne près de l'eau.
- Demandez à un électricien compétent d'acheminer l'énergie électrique nécessaire jusqu'au moteur. En ce qui concerne les câbles, voyez le Tableau 1.
- Assurez-vous que la tension du secteur et la fréquence du courant électrique sont conformes aux stipulations indiquées sur le moteur lui-même.
- Veillez à ce que les fils d'alimentation électrique et de mise à la terre soient correctement imperméabilisés et solidement connectés.
- N'oubliez pas que le moteur doit toujours être mis à la terre.
- Déconnectez toujours le courant avant d'entretenir ou de réparer l'appareil.
- Avant de tester ou d'utiliser une pompe en dehors d'un puits, vous devez toujours la mettre à la terre.

**Tableau 1 - Sélection du câble (aux États-Unis)
Basé sur une chute de tension de 5%**

(Entrée de service jusqu'au moteur – Longueur maximale en pieds)

ATTENTION : L'emploi d'un câble plus petit que le câble recommandé entraîne l'annulation de la garantie du moteur !

Câble à deux ou trois fils, 60 hertz

Moteur		Grosseur du fil de cuivre (AWG)							
CV	Volts	14	12	10	8	6	4	3	2
1/3	115	130	210	340	540	840	1300	1610	1960
	230	550	880	1390	2190	3400	5250	6520	7960
1/2	115	100	160	250	390	620	960	1190	1460
	230	400	650	1020	1610	2510	3880	4810	5880
3/4	230	300	480	760	1200	1870	2890	3580	4370
1	230	250	400	630	990	1540	2380	2960	3610
1 1/2	230	190	310	480	770	1200	1870	2320	2850
2	230	150	250	390	620	970	1530	1910	2360
3	230	120	190	300	470	750	1190	1490	1850
5	230	0	0	180	280	450	710	890	1110
7 1/2	230	0	0	0	200	310	490	610	750

1 pieds = 0,3048 mètre

**Tableau 1 - Sélection du câble (au Canada)
Basé sur une chute de tension de 3%**

(Entrée de service jusqu'au moteur – Longueur maximale en pieds)

ATTENTION : L'emploi d'un câble plus petit que le câble recommandé entraîne l'annulation de la garantie du moteur !

Câble à deux ou trois fils, 60 hertz

Moteur		Grosseur du fil de cuivre (AWG)							
CV	Volts	14	12	10	8	6	4	3	2
1/3	115	75	125	205	325	505	780	965	1175
	230	330	528	834	1314	2040	3150	3912	4775
1/2	115	60	95	150	235	370	575	715	875
	230	240	390	610	965	1505	2325	2885	3525
3/4	230	180	285	455	720	1120	1735	2145	2620
1	230	150	240	375	595	925	1425	1775	2165
1 1/2	230	115	185	285	460	720	1120	1390	1710
2	230	90	150	235	370	580	915	1145	1415
3	230	70	115	180	280	450	715	895	1110
5	230	0	0	105	165	270	425	535	665
7 1/2	230	0	0	0	117	180	285	355	437

1pieds = 0,3048 mètre

ASSEMBLAGE

OUTILS REQUIS POUR L'ASSEMBLAGE

- Clés à tuyaux
- Étaux à tuyaux ou serre-tuyaux
- Ruban d'étanchéité en téflon
- Gants et lunettes de sécurité
- Ruban isolant en PVC approuvé par CSA ou UL
- Trépied avec palan à chaîne ou un autre dispositif pour soutenir l'appareil pendant qu'on le descend dans le puit
- Divers outils et clés selon les besoins

INSTALLATION

AVANT D'INSTALLER VOTRE POMPE – LISEZ ATTENTIVEMENT CES INSTRUCTIONS !

UTILISATION

Cette pompe est idéale pour fournir de l'eau fraîche à une résidence rurale, à une ferme ou à un chalet, à partir d'un puits foré.

Les pompes submersibles sont des appareils efficaces qui exigent très peu d'entretien et elles sont généralement très économiques pour des puits dont la profondeur dépasse 60 pieds (19 mètres).

RENSEIGNEMENTS GÉNÉRAUX

AVIS : Le numéro du modèle de votre pompe se trouve sur la partie supérieure de son corps. Inscrivez ce numéro, ainsi que toutes les données d'installation de la pompe, dans la section prévue à cet effet en page 2. Gardez ensuite ce document dans un endroit sûr, pour pouvoir le consulter, advenant que votre pompe doive être réparée. Voici ce que vous devez savoir au sujet de votre puits : (1) sa profondeur totale; (2) la profondeur jusqu'à l'eau; (3) le niveau de rabattement de l'eau; (4) la capacité du puits en gallons par minute.

1. La profondeur totale du puits est la distance à partir du niveau du sol jusqu'au fond du puits.
2. La profondeur jusqu'à l'eau est mesurée à partir du niveau du sol jusqu'à la surface de l'eau, alors que la pompe ne fonctionne pas.
3. Le niveau de rabattement de l'eau est la distance entre le niveau du sol et la surface de l'eau pendant qu'on la pompe. Dans la plupart des puits, le niveau de l'eau baisse durant le pompage.
4. La capacité est la quantité d'eau, en gallons par minute, que le puits peut produire sans subir une baisse de niveau.

CONVENANCE DU PUIT

IMPORTANT : Le puits devrait être complètement développé par le foreur. **Avant d'y installer la pompe**, on **doit** le pomper jusqu'à ce que toutes les matières étrangères et tout le sable fin aient été retirés. Assurez-vous que le puits est assez profond pour qu'il soit possible d'y poser la pompe à la profondeur requise. Ne placez pas la pompe en dessous des perforations du coffrage ou du tamis du puits, à moins d'être certain que la circulation d'eau autour du moteur sera suffisante pour le refroidir. Pour déterminer l'emplacement approprié pour la pompe, servez-vous des dossiers du foreur en tenant compte de la profondeur de la surface de l'eau et du rabattement au taux de pompage proposé. Gardez toujours la pompe à un minimum de cinq pieds (un mètre et demi) du fond du puits foré.

MISE À LA TERRE

Le câblage, les connexions électriques et la mise à la terre du système doivent tous être conformes aux exigences du Code national de l'électricité et de tous les règlements ou codes locaux en vigueur. Faites appel à un électricien compétent.

Tous les éléments électriques doivent être mise à la terre, de façon permanente, conformément aux exigences du Code national de l'électricité et des codes et règlements locaux en vigueur. Pour établir une mise à la terre permanente, employez un fil de la bonne grosseur à partir d'un conducteur mis à la terre dans le panneau de service.

NE raccordez PAS la prise de terre à une canalisation de gaz.

NE connectez PAS l'appareil à son alimentation électrique avant de l'avoir mis à la terre de façon permanente.

Si vous utilisez un tubage de puits en plastique, le chapeau ou couvercle d'étanchéité en métal peut être mis à la terre, pourvu que les conducteurs électriques du moteur de la pompe traversent ce chapeau ou couvercle. Veillez à ce que la bonne grosseur de fil soit utilisée. Consultez le code local de l'électricité.

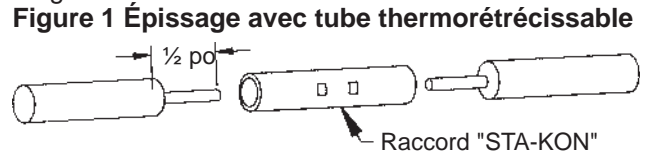
MÉTHODES D'ÉPISSAGE DES CÂBLES

Lorsque le câble de descente doit être épissé ou connecté aux conducteurs du moteur, il faut que l'épissure soit étanche à l'eau. Pour la réaliser, on peut utiliser un nécessaire d'épissure à enrobage ou à thermo-rétrécissage. Suivez attentivement les directives fournies avec le nécessaire choisi.

A) MÉTHODE DU TUBE THERMORÉTRÉCISSABLE

MÉTHODE RECOMMANDÉE (KIT No 453820)

- 1) Dénudez environ 1/2 po d'isolant des extrémités du câble et du conducteur.
- 2) Glissez un tube thermorétrécissable d'environ 3 po de longueur sur les fils.



- 3) Connectez les extrémité du câble et du conducteur avec un raccord STA-KON ou l'équivalent (Figure 1).
- 4) Placez le tube par-dessus la connexion, en gardant le raccord au centre.
- 5) Appliquez de la chaleur (environ 135°C) uniformément sur le tube, en partant du centre vers l'extérieur, pour ne pas emprisonner l'air. Sous l'action de la chaleur, le revêtement adhésif à l'intérieur du tube fond et le tube lui-même se rétrécit rapidement pour encapsuler et isoler la connexion. Le revêtement adhésif scelle les interfaces entre le tube et le raccord du câble. On obtient une étanchéité parfaite lorsque l'adhésif s'écoule hors du tube pour en boucher les extrémités.

Durant cette opération, il faut faire attention de ne pas surchauffer le câble à l'extérieur du tube. Un excès de chaleur endommagera la couche isolante du câble.

B) MÉTHODE DU RUBAN ISOLANT (alternative)

ÉPISSAGE DE CÂBLES SURMERSIBLES AVEC DU RUBAN ISOLANT

Voici la marche à suivre pour ce genre d'épissure.

Voyez la Figure 2.

- 1) Enlevez juste assez d'isolant sur chaque conducteur pour créer un espace approprié pour un raccord de type "Sta-Kon". On recommande l'emploi de raccords tubulaires de genre imperdable. Si le diamètre extérieur du raccord n'est pas aussi gros que l'isolant du câble, augmentez-le avec un ruban isolant en caoutchouc approuvé par CSA/UL.
- 2) Enrubannez les joints individuels avec deux couches d'un ruban isolant en caoutchouc approuvé par CSA/UL. La première couche doit aller deux pouces au-delà de

INSTALLATION

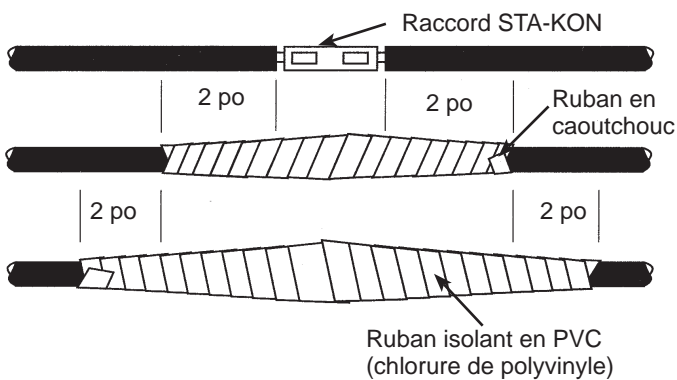
l'isolant de chaque conducteur, tandis que la deuxième couche doit dépasser de deux pouces les extrémités de la première couche. Enveloppez l'épissure hermétiquement pour éliminer les poches d'air autant que possible.

- 3) Par-dessus le ruban isolant en caoutchouc, enroulez du ruban isolant en PVC Scotch® No 33 (3M Canada Inc./Minnesota Mining and Manufacturing Co.) ou un équivalent approuvé par CSA/UL. Mettez-en deux couches comme à l'étape ci-dessus (2) et n'oubliez pas que chaque couche doit dépasser d'au moins deux pouces la couche précédente.

Si vous avez un câble à **trois** ou **quatre** conducteurs dans une même gaine, enrubannez les conducteurs individuels de la manière prévue, en échelonnant les joints.

L'épaisseur totale du ruban adhésif doit au moins égaler l'épaisseur de l'isolant des conducteurs.

Figure 2 Épissage avec ruban isolant



On recommande d'effectuer le test suivant avant l'installation, pour s'assurer qu'il n'y a pas de fuite à partir du câble ou de l'épissure.

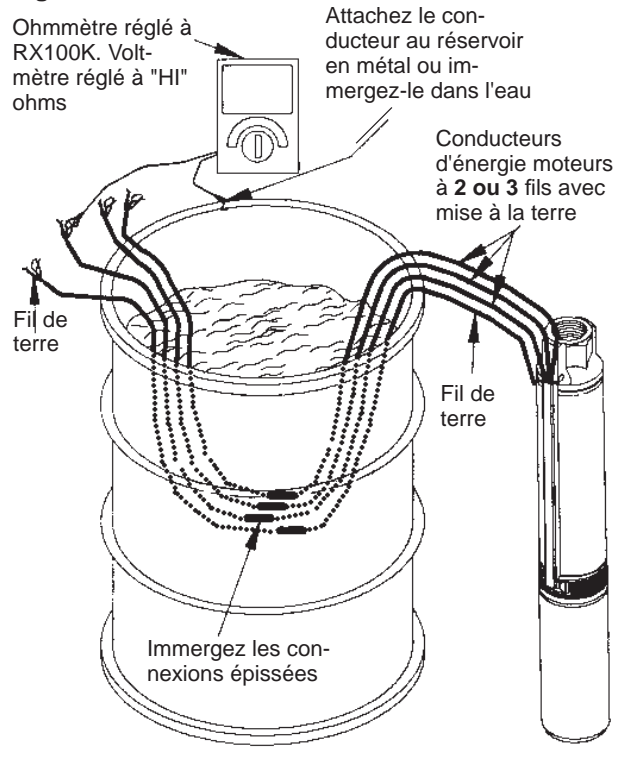
- 1) Plongez le câble et les connexions épissées dans un baril d'acier rempli d'eau. Les deux extrémités doivent être hors de l'eau et ne pas être en contact avec le baril (Figure 3).
- 2) Réglez l'ohmmètre à RX 100K et ajustez l'aiguille à zéro (0) avec les conducteurs agrafés ensemble.
- 3) Agrafez un conducteur de l'ohmmètre au baril et l'autre à chaque conducteur du câble à tour de rôle.
- 4) Si l'aiguille défléchit vers zéro (0) lorsque l'ohmmètre est connecté à n'importe quel des conducteurs du câble, cela veut dire qu'il y a un problème. Pour vérifier la connexion, tirez l'épissure hors de l'eau. Si, à ce moment-là, l'aiguille se déplace vers ∞ (résistance infinie), la fuite est dans l'épissure.
- 5) Pour la réparer, employez un ruban isolant en caoutchouc et un ruban en PVC approuvés par CSA et/ou UL.
- 6) Si la fuite n'est pas dans l'épissure, sortez lentement le câble de l'eau, jusqu'à ce que l'aiguille se déplace vers ∞ . C'est au point où l'aiguille se déplace vers ∞ que se trouve la fuite.

INSTALLATION DE VOTRE POMPE

EMPLACEMENT DE LA POMPE

Votre pompe submersible devrait être installée à au moins 5 pieds (1,5 mètre) du fond du puits.

Figure 3 Vérification du câble



MISE EN GARDE : Pour éviter toute perte accidentelle de la pompe dans le puits, on vous conseille d'attacher de façon permanente un câble de 1/4 po en polypropylène à l'un des oeillets qui se trouvent sur sa tête de refoulement ou sortie. Évidemment, l'autre extrémité de ce câble doit être attachée à un dispositif d'ancrage hors du puits.

INSTALLATION DANS UN PUIT FORÉ

- 1) Examinez d'abord votre pompe submersible et ses accessoires pour vous assurer que rien n'a été endommagé.
- 2) Vérifiez la source de courant électrique, c'est-à-dire la tension, les fusibles, le diamètre du fil, la mise à la terre et la capacité du transformateur.
- 3) Examinez le coffrage ou tubage du puits. Son rebord supérieur devrait être absolument lisse. Autrement, il pourrait se produire un court-circuit si le câble est coupé ou éraflé.
- 4) Choisissez bien votre tuyau. Nous vous conseillons d'utiliser un tuyau en polyéthylène, en plastique semi-rigide ou en acier de nomenclature 40 approuvé par l'Association canadienne de normalisation (CSA) pour des pompes à haute pression. La sortie de la pompe a un diamètre de 1-1/4 po. On peut utiliser un tuyau de 1 po pour les appareils à débits de 5, 7 et 10 gallons par minute. Pour les modèles à débit de 10 gallons par minute quand la profondeur dépasse 300 pieds (91 mètres), employez seulement des tuyaux de 1-1/4 po. Pour les modèles à débit des 15 et 20 gallons par minute employez seulement des tuyaux de 1-1/4 po. Assurez-vous que vous avez la bonne longueur de tuyau pour vos besoins. La pompe devrait être installée à au moins 5 pieds (1,5 mètre) du fond du puits.

INSTALLATION

INSTALLATION DE LA POMPE AVEC UN TUYAU EN POLYÉTHYLÈNE

- Si vous posez un tuyau de 1 po, enroulez du ruban en téflon autour des filets d'un adaptateur de tuyau en plastique de 1-1/4 po NPT x 1 po mâle.
- **Posez l'adaptateur dans l'orifice de sortie de la pompe tout en retenant la tête de sortie avec une clé à tuyaues pour empêcher la tête de se détacher du boîtier de la pompe.**
- Posez deux colliers de serrage de 1 po **tout en acier inoxydable** par-dessus une extrémité du tuyau et serrez-les.
- Réchauffez le tuyau en polyéthylène pour l'amollir.
- Pressez le tuyau en polyéthylène par-dessus l'extrémité de l'adaptateur.
- Serrez solidement les colliers autour du tuyau, par-dessus l'extrémité de l'adaptateur.
- Pendant que vous descendez la pompe et son tuyau dans le puits, le câble électrique submersible doit être attaché au tuyau de refoulement à cinq pieds (1,5 mètre) du sommet de la pompe. Pour l'attacher, employez du ruban isolant ou des liens métalliques. Ensuite, continuez d'attacher le câble de cette façon à des intervalles de 10 pieds (3 mètres) tout le long du tuyau de refoulement.

REMARQUE : Vous devriez toujours attacher solidement un étai ou un dispositif de serrage à l'extrémité supérieure du tuyau, pendant que vous le descendez dans le puits.

- Lorsque la pompe a atteint la profondeur désirée, passez le tuyau et le câble à travers les orifices dans le couvercle d'étanchéité du puits. Le tuyau de refoulement va dans le trou central, tandis que le câble va dans l'orifice à conduit. **Il faut prévoir un évent dans le couvercle d'étanchéité du puits.**
- Coupez le tuyau en polyéthylène. Posez deux colliers de 1 po par-dessus l'extrémité du tuyau.
- Pour amollir le tuyau, réchauffez son extrémité.
- Posez un raccord à 90 degrés au sommet du tuyau de refoulement.

REMARQUE : S'il n'a pas été nécessaire de couper le tuyau et que son dernier tronçon porte un raccord femelle, prenez un mamelon de 1 po x 2 po de long et vissez le coude dans ce mamelon. Employez du ruban en téflon pour étanchéifier les joints.

- Vous pouvez utiliser un coude d'étanchéité de 1 po pour puits, au lieu d'un adaptateur à filetage de tuyau mâle de 1 po et d'un coude.
- Posez le couvercle d'étanchéité dans le tubage du puits. Serrez les vis à chapeau sur ce couvercle. **Le couvercle d'étanchéité du puits doit avoir un bon évent.**
- Acheminez le tuyau jusqu'au réservoir dans la maison. Le câble de la pompe submersible doit toujours être bien attaché au tuyau. Vous aurez besoin de raccords et de colliers additionnels pour effectuer les raccordements nécessaires au coude et au centre de contrôle.

INSTALLATION DE LA POMPE AVEC UN TUYAU EN PLASTIQUE SEMI-RIGIDE

- Enroulez du ruban en téflon autour des filets du tuyau.
- Vissez le premier tronçon de tuyau dans l'orifice de sortie de la pompe.
- Vous pouvez vous procurer des tronçons de 10 et 20 pieds de longueur. Utilisez un raccord approprié et du solvant pour joindre les tronçons de tuyau.

REMARQUE : Vous devriez toujours attacher solidement un étai ou un dispositif de serrage à l'extrémité supérieure du tuyau pendant que vous le descendez dans le puits.

- Pendant que vous descendez la pompe et son tuyau dans le puits, le câble électrique submersible doit être attaché au tuyau de refoulement à cinq pieds du sommet de la pompe. Pour attacher le câble au tuyau, employez du ruban isolant. Ensuite, continuez d'attacher le câble de cette façon à des intervalles de 10 pieds (3 mètres) tout le long du tuyau de refoulement.
- Lorsque la pompe a atteint la profondeur désirée, passez le tuyau et le câble à travers les orifices dans le couvercle d'étanchéité du puits. Le tuyau de refoulement va dans le trou central, tandis que le câble va dans l'orifice à conduit. Il faut prévoir un évent dans le couvercle d'étanchéité du puits.
- Coupez le dernier tronçon à la longueur requise.
- Posez un connecteur mâle de 1 po ou de 1-1/4 po par-dessus l'extrémité du tuyau, en employant du solvant pour souder les pièces.
- Enroulez du ruban en téflon autour des filets d'un coude à 90 degrés en plastique.
- Vissez le coude dans le connecteur mâle.

REMARQUE : S'il n'a pas été nécessaire de couper le tuyau et que son dernier tronçon porte un raccord femelle, posez un mamelon de 2 po de long et vissez le coude dans ce mamelon.

- Posez le couvercle d'étanchéité dans le tubage du puits. Serrez les vis à chapeau sur ce couvercle. **Le couvercle d'étanchéité du puits doit avoir un bon évent.**
- Acheminez le tuyau jusqu'au réservoir dans la maison. Le câble de la pompe submersible doit toujours être bien attaché au tuyau. Vous aurez besoin de raccords et de colliers additionnels pour effectuer les raccordements nécessaires au coude et au centre de contrôle.

INSTALLATION

INSTALLATIONS DU CENTRE DE CONTRÔLE

(Figure 5)

REMARQUE : Il faut utiliser du ruban en téflon sur tous les joints filetés.

- Enveloppez le filetage extérieur du centre de contrôle du réservoir avec du ruban en téflon au point "A". Vissez le centre de contrôle dans l'orifice du réservoir (Figure 4). Le centre de contrôle se visse directement dans l'orifice de 1 po sur le côté d'un réservoir de type préchargé à revêtement intérieur de verre ou de plastique époxydique.
- Posez le manomètre en vous servant du manchon de 3/4 po x 1 po dans l'orifice "B" sur le centre de contrôle.
- Installez un manostat ou un commutateur "de perte de pression" en vous servant du mamelon de 1/4 po x 3 po dans l'orifice "C" sur le centre de contrôle.
- Raccordez le tuyau provenant du puits et de la pompe au point "E" sur le centre de contrôle. S'il s'agit d'un tuyau en polyéthylène, servez-vous de l'adaptateur de tuyau en plastique mâle approprié et d'un collier de serrage pour effectuer ce raccordement. Si le tuyau est en plastique ABS ou en acier, vissez-le directement dans le centre de contrôle.
- L'alimentation en eau de la maison se fait à partir du point "D" sur le centre de contrôle.

REMARQUE : On vous conseille d'utiliser du ruban en téflon sur tous les joints filetés.

REMARQUE : Nous vous recommandons de ne pas installer les modèles de 1 CV et de 1 1/2 CV aux endroits où le niveau de pompage est inférieur à 30m (100pi).

Figure 4 Orifices dans le réservoir

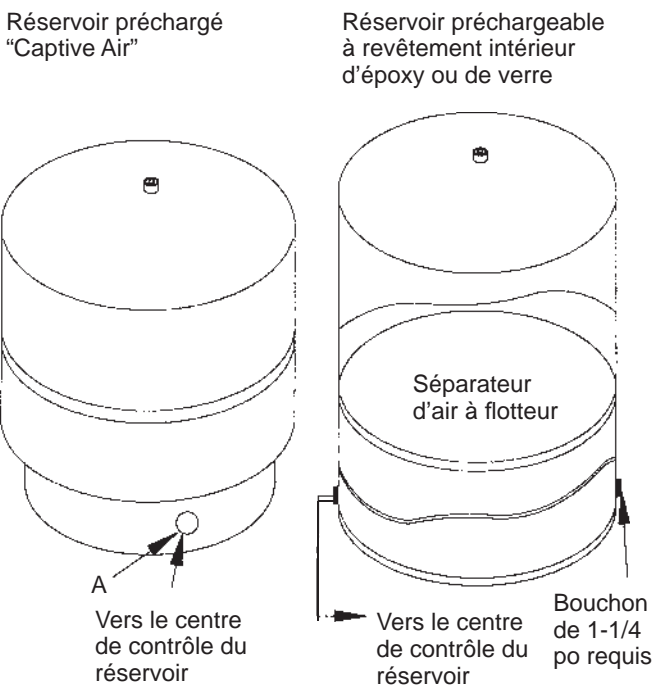
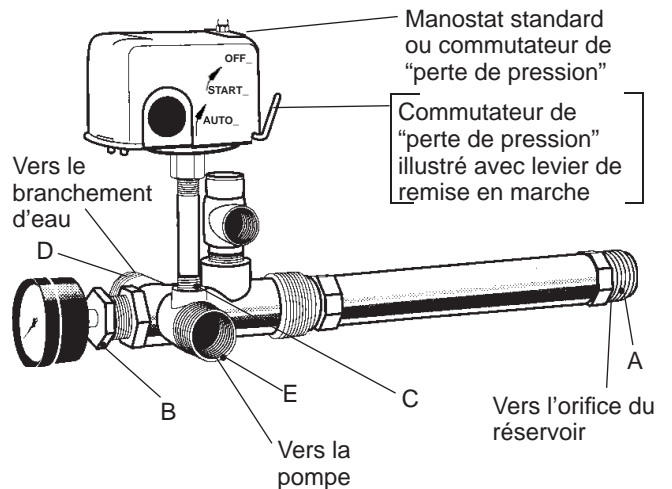


Figure 5 Le centre de contrôle

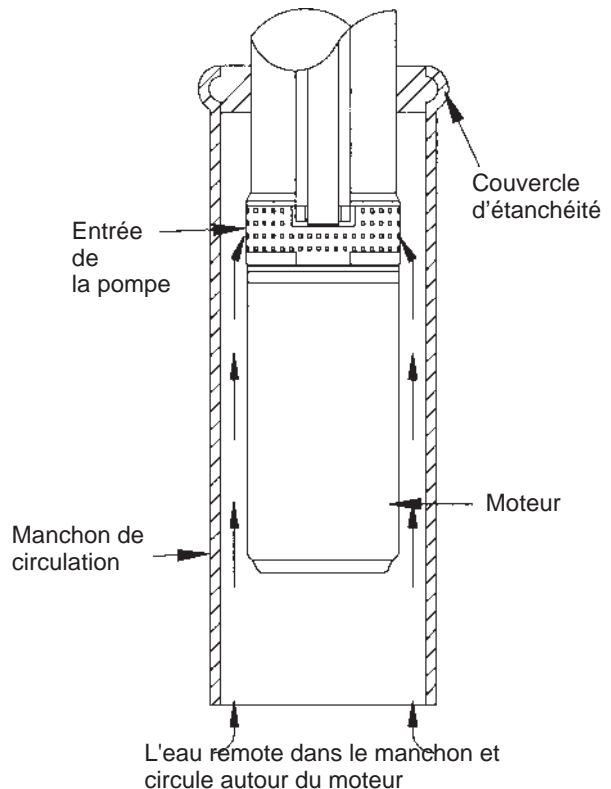


INSTALLATION DANS UN LAC OU DANS UN PUIT À GRAND DIAMÈTRE

Le câblage, les connexions électriques et la mise à la terre du système doivent tous être conformes aux exigences du Code national de l'électricité et de tous les règlements ou codes locaux en vigueur. Faites appel à un électricien compétent.

Si la pompe est installée dans un lac ou dans un puits à grand diamètre, il faut placer un manchon de circulation autour du moteur. Ce manchon, en plastique robuste ou en métal inoxydable, devrait avoir un diamètre intérieur de 4 à 6 po. Sa principale fonction sera de favoriser une bonne circulation d'eau autour du moteur, pour assurer son refroidissement. Ce manchon de circulation est fermé au-dessus de l'entrée de la pompe et se prolonge jusqu'au bas du moteur ou même plus (Figure 6).

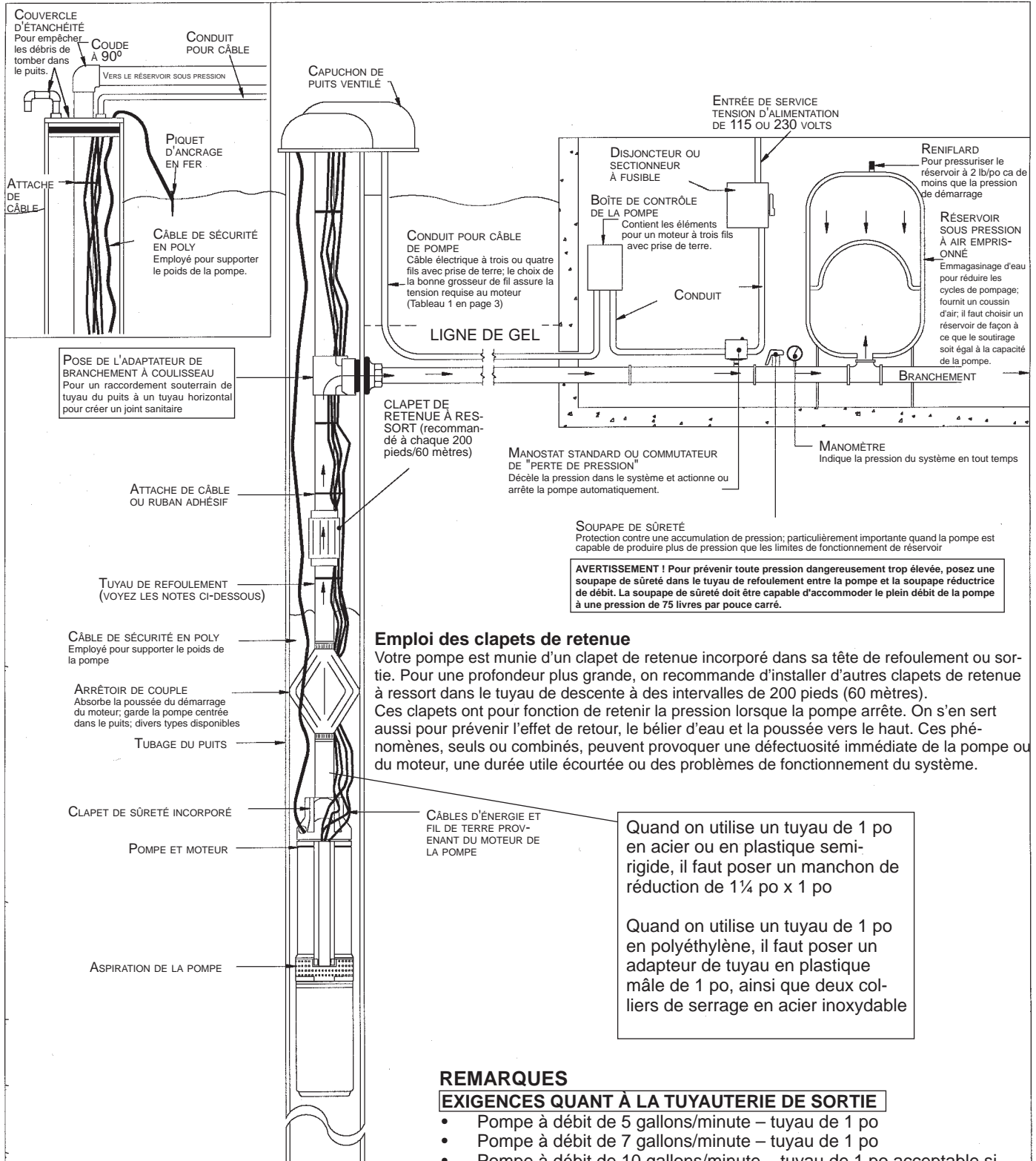
Figure 6 Manchon de circulation



INSTALLATION

Figure 7 Installation de la pompe

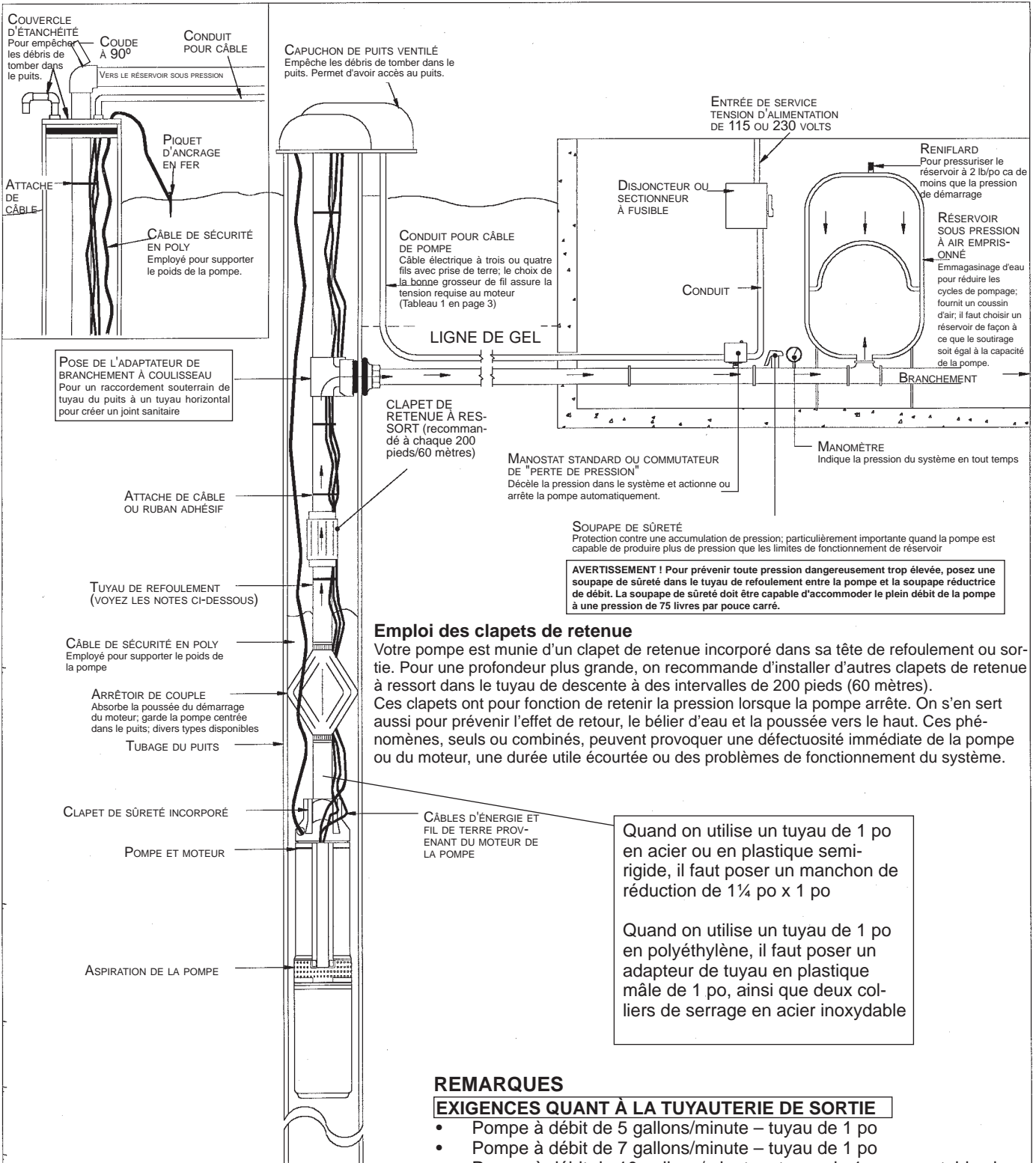
ILLUSTRATION D'UN SYSTÈME À TROIS FILS AVEC ET SANS ADAPTATEUR DE BRANCHEMENT À COULISSEAU (SCHÉMAS DE CÂBLAGE SUR LA FIGURE 9 EN PAGE 10 DE CE MANUEL)



INSTALLATION

Figure 8 Installation de la pompe

ILLUSTRATION D'UN SYSTÈME À DEUX FILS AVEC ET SANS ADAPTATEUR DE BRANCHEMENT À COULISSEAU (SCHÉMAS DE CÂBLAGE SUR LA FIGURE 9 EN PAGE 10 DE CE MANUEL)



REMARQUES

EXIGENCES QUANT À LA TUYAUTERIE DE SORTIE

- Pompe à débit de 5 gallons/minute – tuyau de 1 po
- Pompe à débit de 7 gallons/minute – tuyau de 1 po
- Pompe à débit de 10 gallons/minute – tuyau de 1 po acceptable si la profondeur jusqu'à l'eau ne dépasse pas 300 pieds
- Pompe à débit de 10 gallons/minute – tuyau de 1¼ po si la profondeur jusqu'à l'eau dépasse 300 pieds

INSTALLATION

CONNEXION ÉLECTRIQUES (FIGURE 9)

AVERTISSEMENT - PRÉCAUTIONS

LE CÂBLAGE, LES CONNEXIONS ÉLECTRIQUES ET LA MISE À LA TERRE DU SYSTÈME DOIVENT TOUS ÊTRE CONFORMES AUX EXIGENCES DU CODE NATIONAL DE L'ÉLECTRICITÉ ET DE TOUS LES RÈGLEMENTS OU CODES LOCAUX EN VIGUEUR. FAITES APPEL À UN ÉLECTRICIEN COMPÉTENT.

AVERTISSEMENT: Risque de choc électrique

Les travaux de câblage pour l'alimentation électrique de la pompe devraient être confiés à un électricien compétent. Vous devriez utiliser un disjoncteur distinct sur le panneau électrique de votre maison. Nous vous conseillons d'utiliser un circuit à disjoncteur de fuite à la terre (GFI) avec tout appareil électrique à proximité de l'eau. Installez un sectionneur à fusible dans la ligne et assurez-vous que le câblage est de la bonne grosseur et correctement isolé. **Un fil trop petit entre le moteur et la source de courant aura pour effet de limiter la capacité de démarrage et de charge du moteur, et la garantie sera annulée.** Vous trouverez sur le Tableau 1 en page 3 les grosseurs minimales des fils pour les circuits de dérivation du moteur. **Pour plus de sécurité, le moteur de la pompe doit être correctement mis à la terre.** En ce qui concerne les fusibles requis, consultez le Tableau 2.

- ❑ Avant de commencer les travaux de câblage, **coupez** la principale source de courant qui alimente la pompe,
- ❑ Mettez le levier du manostat à sa position d'arrêt **"OFF"** (s'il y a un tel levier sur votre modèle) pour le déconnecter.
- ❑ Enlevez le couvercle du manostat en desserrant son écrou. Connectez les fils de la source de courant aux bornes **"LIGNE"** sur le manostat. **Employez un fil dont le calibre est d'au moins 14 pour ces connexions au manostat.**
- ❑ Coupez le câble submersible à la longueur voulue à partir du puits et connectez ses fils aux bornes **"CHARGE"** sur le manostat.
- ❑ Remettez le couvercle sur le manostat et réenclenchez le levier à sa position **"AUTO"** si c'est le cas pour votre manostat.

Tableau 2 - Disjoncteur ou fusible requis

(MOTEURS MONOPHASÉS FRANKLIN À 2 OU 3 FILS)

Puissance du moteur	Nombre de fils	Tension d'alimentation	Disjoncteur ou fusible	
			standard	à retard
1/3 CV	2 ou 3 fils	115	25	10
		230	15	5
1/2 CV	2 ou 3 fils	115	30	15
		230	15	7
3/4 CV	2 ou 3 fils	230	20	9
1 CV	2 ou 3 fils	230	25	12
1-1/2 CV	2 fils	230	35	15
1-1/2 CV	3 fils	230	30	15
2 CV	3 fils	230	30	15
3 CV	3 fils	230	45	20
5 CV	3 fils	230	70	30

ENTRETIEN

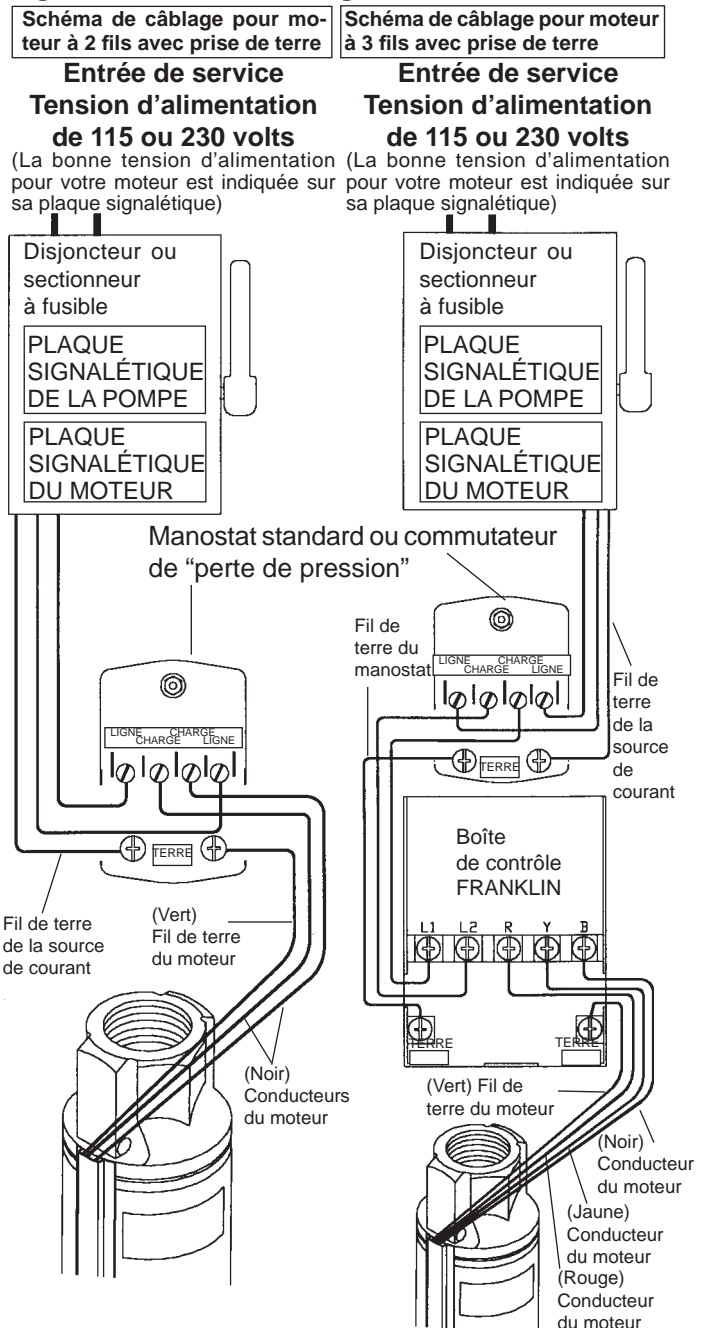
Les pompes submersibles n'ont besoin d'aucun entretien régulier. Nous vous conseillons toutefois d'examiner le câblage et la tuyauterie au moins une fois par année.

MISE EN MARCHÉ DE LA POMPE

Tournez le commutateur du disjoncteur à sa position **"ON"** pour faire partir la pompe. Sa mise en pression devrait débuter immédiatement. Laissez marcher la pompe jusqu'à ce que l'eau qui en sort soit claire.

REMARQUE : Si votre manostat est équipé d'un interrupteur en cas de perte de pression (avec un levier), vous devrez retenir ce levier en position de départ jusqu'à ce que la pression dans la pompe soit suffisante. Autrement, la pompe cessera de fonctionner. La pompe marchera jusqu'à ce que la pression du système atteigne le réglage d'arrêt fixé sur le manostat. Le système fonctionnera automatiquement entre les réglages de pression de départ et d'arrêt sur le manostat.

Figure 9 Schéma de câblage



DÉPANNAGE

PROBLÈME	CAUSES	ACTION CORRECTIVE
Le débit d'eau provenant de votre pompe est insuffisant ou même nul.	<ol style="list-style-type: none"> 1. Le niveau de l'eau dans un puits à faible production descend trop lorsque la pompe est en marche, ce qui provoque un bouchon d'air, une perte d'amorçage et, peut-être, des dommages sérieux à la pompe. 2. Le tamis d'admission est partiellement obstrué. 3. Il se pourrait qu'un clapet de retenue soit coincé. 4. La tension est trop basse; le moteur marchera lentement et produira une faible pression de refoulement et un appel de courant élevé. 	<ol style="list-style-type: none"> 1. Descendez la pompe encore plus dans le puits, mais assurez-vous qu'elle est à au moins 5 pieds (1,5 mètre) du fond du puits. Posez une soupape dans le tuyau de refoulement, entre la pompe et le réservoir sous pression. Employez la soupape pour limiter l'écoulement jusqu'à ce que le débit de refoulement ne dépasse plus le taux de récupération. AVERTISSEMENT ! Pour prévenir tout danger de pression trop élevée, installez une soupape de sûreté dans le tuyau de refoulement, entre la pompe et la soupape réductrice de débit. Cette soupape de sûreté doit être capable d'accommoder le plein débit de la pompe à une pression de 75 livres par pouce carré. 2. Les dépôts calcaires ou d'autres matières provenant de l'eau peuvent s'accumuler sur le tamis. Sortez la pompe et nettoyez le tamis. 3. Assurez-vous que le clapet de retenue incorporé dans la pompe et les autres clapets de retenue dans la canalisation de refoulement, le cas échéant, peuvent s'ouvrir librement. 4. Demandez à un électricien compétent de vérifier la tension au sectionneur électrique (2 fils) ou au centre de contrôle (3 fils) pendant que la pompe fonctionne. Si la tension est basse, la compagnie d'électricité pourrait devoir l'augmenter ou vous aurez peut-être besoin d'un plus gros fil. Parlez-en à la compagnie d'électricité ou à un électricien compétent.
Il y a de l'air ou de l'eau laiteuse qui sort de vos robinets.	<ol style="list-style-type: none"> 1. Il se pourrait que l'eau du puits soit gazeuse. 	<ol style="list-style-type: none"> 1. Si votre puits est naturellement gazeux et que votre système est doté d'un réservoir ordinaire, enlevez les orifices de purge et bouchez les tés. Si le problème est sérieux, consultez un spécialiste dans le domaine des puits.
La pompe se met en marche trop souvent.	<ol style="list-style-type: none"> 1. Il y a une fuite dans le réservoir sous pression ou dans la plomberie. 2. Le manostat est défectueux ou mal réglé. 3. Le clapet de retenue coule. 4. Le réservoir est saturé d'eau. 5. Il y a une fuite dans le tuyau de descente. 6. Le manostat est trop loin du réservoir. 	<ol style="list-style-type: none"> 1. Vérifiez toutes les connexions avec de l'eau savonneuse, pour voir s'il y a des fuites d'air. S'il y a en, effectuez les réparations nécessaires. Vérifiez aussi la plomberie. Encore une fois, les fuites d'air doivent être éliminées. 2. Au besoin, remplacez le manostat. 3. Examinez les clapets et, au besoin, remplacez celui qui est défectueux. 4. Réservoir Captive Air® : Examinez le réservoir pour voir s'il y a des fuites. Il faut les éliminer si possible. Préchargez le réservoir à 18 PSI pour un manostat 20-40 PSI, à 28 PSI pour un manostat 30-50 PSI, à 38 PSI pour un manostat 40-60 PSI, et ainsi de suite. Réservoir ordinaire : Examinez le réservoir pour voir s'il y a des fuites. Il faut les éliminer si possible. Vérifiez les orifices de purge et nettoyez les purgeurs. Remplacez-les si c'est nécessaire. 5. Soulevez une longueur de tuyau à la fois, jusqu'à ce que vous découvriez la fuite. Lorsque l'eau demeure dans le tuyau, cela veut dire qu'il n'y a pas de fuite au-dessous de ce point. 6. Rapprochez le manostat à moins d'un pied (30 cm) du réservoir.
Les fusibles sautent ou le dispositif de protection contre les surcharges est déclenché lorsque le moteur se met en marche.	<ol style="list-style-type: none"> 1. Les fusibles ou les fils sont trop petits. 2. La tension électrique est trop basse ou trop haute. 3. Les épissures du câble ou les enroulements du moteur sont mis à la terre, court-circuités ou ouverts. 4. Modèle à trois fils seulement; les conducteurs du câble sont peut-être incorrectement connectés à la boîte de contrôle de la pompe, au manostat ou au sectionneur à fusible. 5. Modèle à trois fils seulement; il pourrait y avoir un fil cassé dans la boîte de contrôle de la pompe. 6. Modèle à trois fils seulement; le condensateur de démarrage ou de marche dans la boîte de contrôle pourrait être défectueux ou éventé (sauté). 	<ol style="list-style-type: none"> 1. Remplacez-les par des fils de la bonne grosseur (Tableau 1 en page 3). 2. Pendant que le moteur marche, la tension ne devrait pas s'écarter de plus de 5 % dans un sens ou dans l'autre de la tension nominale indiquée sur la plaque signalétique du moteur. Si ce n'est pas le cas, demandez à la compagnie d'électricité d'ajuster la tension du secteur. 3. Consultez un électricien compétent ou un technicien réparateur. 4. Examinez le schéma de câblage sur la boîte de contrôle de la pompe (voyez aussi la Figure 9 en page 10) et le code de couleur du câble de descente. 5. Demandez à un électricien compétent d'examiner toutes les connexions et tous les fils dans le panneau de commande. Si nécessaire, réparez-les. 6. Examinez les condensateurs. Demandez à un électricien compétent de vérifier les condensateurs et de les remplacer au besoin. AVERTISSEMENT ! Une tension dangereuse peut causer un choc, des brûlures et parfois la mort. Même après avoir été déconnectés, les condensateurs peuvent encore comporter une charge électrique. Demandez à un électricien compétent de les vérifier.

DÉPANNAGE

PROBLÈME	CAUSES	ACTION CORRECTIVE
<p>Le moteur refuse de démarrer mais les fusibles ne sautent pas.</p> <div style="border: 1px solid black; padding: 5px; margin-top: 10px;"> <p>AVERTISSEMENT ! Une tension dangereuse peut causer un choc, des brûlures et parfois la mort. Confiez toujours à un électricien compétent tous vos travaux d'électricité.</p> </div>	<ol style="list-style-type: none"> 1. Aucune tension n'atteint le moteur. 2. Il se pourrait que des épissures de câble ou des enroulements du moteur soient mis à la terre, court-circuités ou ouvert-circuités. 3. Circuit ouvert dans la boîte de contrôle de la pompe (3 fils seulement); connexions défectueuses; fils défectueux. 4. Manostat défectueux. 5. Modèle à trois fils seulement; les conducteurs du câble sont mal connectés au centre de contrôle. 	<ol style="list-style-type: none"> 1. À l'aide d'un voltmètre, vérifiez 1) la boîte à fusibles, pour vous assurer que la pleine tension est disponible, 2) les bornes du manostat, pour vous assurer que le courant y passe correctement, et 3) les plaquettes de connexions dans la boîte de contrôle de la pompe ou dans la boîte du sectionneur, pour vous assurer que le courant est disponible à cet endroit. Pour une pompe de 1-1/2 CV à 3 CV inclusivement, enfoncez le bouton rouge de réenclenchement du dispositif de protection contre les surcharges, qui se trouve sur le fond du centre de contrôle. 2. Consultez un électricien compétent ou un technicien réparateur. Ne tentez pas de démonter la pompe ou le moteur. 3. Examinez toutes les connexions et tous les fils; examinez les plaquettes de connexions dans le centre de contrôle (3 fils seulement); réparez-les au besoin. 4. Vérifiez le manostat; remplacez-le au besoin. 5. Vérifiez le schéma de câblage sur le panneau du centre de contrôle) ou voyez la Figure 9 en page 10 de ce manuel) et le code de couleur du câble de descente.
<p>Le manostat n'arrête pas la pompe.</p>	<ol style="list-style-type: none"> 1. La tension est trop basse; le moteur marchera lentement et produira une faible pression de refoulement et un appel de courant élevé. 2. Le manostat est défectueux. 3. Il y a une fuite dans le tuyau de descente. 4. Il se pourrait que le niveau de l'eau dans le puits baisse trop lorsque la pompe marche. 	<ol style="list-style-type: none"> 1. Demandez à un électricien compétent de vérifier la tension à la boîte du sectionneur électrique (2 fils) ou à la boîte de contrôle de la pompe (3 fils) pendant que la pompe marche. Si la tension est trop basse, votre compagnie d'électricité devra peut-être l'augmenter ou vous devrez poser un plus gros fil. Parlez-en à la compagnie d'électricité ou à un électricien compétent. Si le problème se représente, vérifiez la tension avec un appareil de mesure. 2. Remplacez le manostat. 3. Soulevez une longueur de tuyau à la fois, jusqu'à ce que vous trouviez la fuite. Lorsque l'eau demeure dans le tuyau, cela veut dire qu'il n'y a pas de fuite en bas de ce point. 4. Descendez la pompe encore plus dans le puits, mais assurez-vous qu'elle est entre 5 pieds (1,5 mètre) et 10 pieds (3 mètres) du fond du puits. Posez une soupape dans le tuyau de refoulement, entre la pompe et le réservoir sous pression. Servez-vous de cette soupape pour limiter l'écoulement jusqu'à ce que le débit de refoulement ne dépasse plus le taux de récupération du puits. <p>AVERTISSEMENT ! Pour prévenir tout danger de pression trop élevée, installez une soupape de sûreté dans le tuyau de refoulement, entre la pompe et la soupape réductrice de débit. Cette soupape de sûreté doit être capable d'accueillir le plein débit de la pompe à une pression de 75 livres par pouce carré.</p>
<p>Les fusibles sautent ou le dispositif de protection contre les surcharges se déclenche lorsque le moteur marche.</p>	<ol style="list-style-type: none"> 1. La tension est trop basse ou trop haute. 2. Modèle à trois fils seulement; température ambiante (atmosphérique) élevée. 3. Modèle à trois fils seulement; tension ou puissance incorrecte en ce qui concerne la boîte de contrôle de la pompe. 4. Les fils sont trop petits. Ils ne sont pas correctement connectés à la boîte de contrôle de la pompe. 5. Il se pourrait que des épissures de câble ou des enroulements du moteur soient mis à la terre, court-circuités ou ouvert-circuités. 	<ol style="list-style-type: none"> 1. Pendant que le moteur marche, la tension ne devrait pas s'écarter de plus de 5 % dans un sens ou dans l'autre de la tension nominale indiquée sur la plaque signalétique du moteur. Si ce n'est pas le cas, demandez à la compagnie d'électricité d'ajuster la tension du secteur. 2. Veillez à ce que la boîte de contrôle de la pompe soit installée hors de la lumière directe du soleil. 3. Comparez la puissance et la tension nominales du moteur (sur sa plaque signalétique) avec celles de la boîte de contrôle de la pompe (sur sa plaque signalétique). Elles doivent se correspondre. 4. Voyez le Tableau 1 en page 3 de ce manuel et assurez-vous que les fils sont de la bonne grosseur. 5. Consultez un électricien compétent ou un technicien réparateur pour déterminer s'il s'agit là de la cause du problème. Ne tentez pas de démonter la pompe ou le moteur.

**SERVICE A LA CLIENTELE:
Ligne directe à 1-800-667-1457**

RED LION
51 Burmac Road, P.O. Box 429
Winnipeg, Manitoba, Canada
R3C 3E4

Fax: (204) 255-5214
www.redlionproducts.com

RED LION



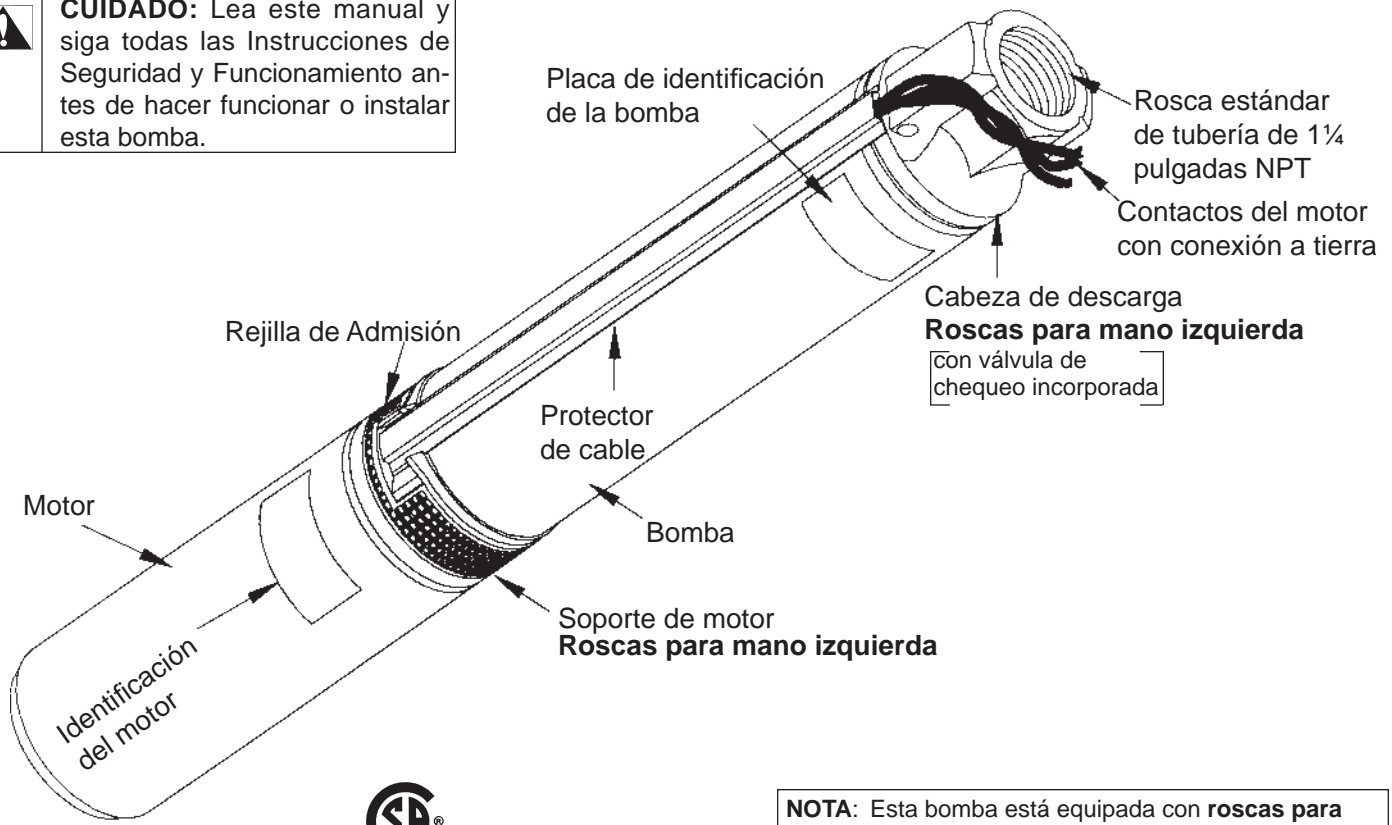
Franklin Electric

BOMBAS SUMERGIBLES DE 4 PULGADAS PARA POZOS PROFUNDOS

INSTRUCCIONES DE INSTALACIÓN Y FUNCIONAMIENTO PARA BOMBAS DE 4 PULGADAS, CON DOS Y TRES ALAMBRES, PARA POZOS PROFUNDOS



CUIDADO: Lea este manual y siga todas las Instrucciones de Seguridad y Funcionamiento antes de hacer funcionar o instalar esta bomba.



NRTL/C
CSA 108
UL 778

NOTA: Esta bomba está equipada con **roscas para mano izquierda en la cabeza de descarga y en el cuerpo del soporte del motor**. Las roscas internas de la tubería en la cabeza de descarga son de 1¼ de pulgada estándar NPT.

INSPECCIONE EL EQUIPO

Revise la bomba cuando la reciba para asegurarse que no se haya dañado durante el envío. Si hubiera un daño evidente, repórtelo inmediatamente al comerciante de quien usted compró la bomba. Por favor revise el paquete de la bomba para ver que incluye la bomba y el motor (si su compra de la bomba incluye el motor). Las unidades termoplásticas y de acero inoxidable incluyen una válvula de chequeo incorporada en la cabeza de descarga. **La bomba monofásica, de tres alambres con uno conectado a TIERRA, NECESITA una caja de control**, la cual se puede comprar por separado si el modelo de bomba que ha comprado no incluye una. La caja de control debe hacer juego con el motor de la bomba. Asegúrese que su voltaje disponible corresponde al voltaje requerido por su motor. Use solamente cajas de control Franklin con los motores Franklin. **Los ensamblajes de bomba/motor de 2 alambres con uno conectado a TIERRA, NO necesitan caja de control.**

Por favor asegúrese de llenar el registro de instalación en la siguiente página. Esta información será necesaria si su sistema necesitara servicio.

REGISTRO DE INSTALACIÓN

Para referencia futura, mantenga un registro exacto de su instalación. Asegúrese de registrar exactamente la información de la instalación en el área proporcionada a continuación. **En el paquete que contiene el manual del propietario se incluye una segunda placa de identificación. Esta placa se debe adherir a la caja de control, al interruptor automático, o al interruptor de desconexión con fusible.**

Comprado en _____
Bomba modelo N° _____
N° de serie de la bomba _____
Fecha de instalación _____
Tamaño de tubería de descarga (pulg./mm) _____
Diámetro interior del pozo (pulg./mm) _____
Profundidad del pozo (pies/metros) _____
Profundidad del agua (pies/metros) _____
Profundidad de la bomba (pies/metros) _____
Capacidad del pozo (galones americanos por minuto/ litros por minuto) _____
Nivel al que baja el agua cuando se bombea (pies/metros) _____
Tamaño de alambre (de la bomba a la caja de control) calibre _____
Tamaño de alambre (de la fuente eléctrica a la caja de control) calibre _____
Distancia entre el pozo y la casa (pies/metros) _____
Especificaciones del motor HP _____ PH _____ Voltios _____ Amperios _____
Motor modelo N° _____ N° de alambres (incluyendo contacto a tierra) _____
Especificaciones de la caja de control _____ Voltios _____ HP _____
Caja de control modelo N° _____
Fuente de poder - HZ _____ Voltios _____ PH _____
Interruptor de presión (libras por pulgada cuadrada) Conecta el circuito _ Corta el circuito _____

GARANTÍA LIMITADA

Para consideraciones de la garantía, Franklin Electric Company, Inc. y sus subsidiarios (denominada de ahora en adelante "la Compañía"), garantiza que los productos especificados en esta garantía están libres de defectos en los materiales y en la mano de obra de la Compañía. Durante el período, y sujeto a los términos estipulados en este documento, la Compañía reparará o reemplazará al cliente o usuario original cualquier parte del producto que presente defectos materiales o de fabricación atribuibles a la compañía. En todo momento, la Compañía tendrá y poseerá el único derecho y opción de determinar si repara o reemplaza el equipo, piezas o componentes defectuosos. La Compañía tiene la opción de inspeccionar cualquier producto devuelto bajo los términos de la garantía para confirmar que esté cubierto por la garantía antes aprobar la reparación o reemplazo según la garantía. Esta garantía constituye la única obligación de la Compañía y es el único recurso que tiene el cliente si el producto tiene defectos. Devuelva el producto defectuoso al sitio de compra para que sea considerado bajo la garantía.

DURACIÓN DE LA GARANTÍA – PRODUCTOS: 36 meses a partir de la fecha de compra por el cliente. (Los cepillos, el impulsor o la leva en los modelos con motor de cepillo y/o los impulsores de aletas flexibles no están cubiertos por la garantía.) En caso de que no exista un comprobante adecuado de la fecha de compra, el período efectivo de esta garantía comenzará a partir de la fecha de fabricación del producto.

MANO DE OBRA Y OTROS COSTOS: La Compañía DE NINGUNA MANERA será responsable por el costo de la mano de obra en el campo u otros cargos en que incurra cualquier cliente al retirar y/o instalar algún producto, pieza o componente.

MEJORAS AL PRODUCTO: La Compañía se reserva el derecho de cambiar o mejorar sus productos, o cualquier parte de los mismos, sin que por ello tenga la obligación de realizar dicho cambio o mejora en las unidades vendidas y/o despachadas con anterioridad.

TÉRMINOS Y CONDICIONES GENERALES: Esta garantía no tiene efecto si los daños se deben a fuerza mayor, desgaste por uso normal, servicios de mantenimiento normal y la piezas utilizadas para dicho servicio, rayos o condiciones que estén fuera del alcance de la Compañía, como tampoco tendrá vigencia en aquellos productos que, a criterio exclusivo de la Compañía, hayan sido sujetos a negligencia, maltrato, accidente, mal uso, manipulación indebida, alteración o instalación, funcionamiento, mantenimiento o almacenamiento indebidos, o si se sobrepasan los valores máximos recomendados, estipulados en estas instrucciones.

Esta garantía quedará ANULADA si se hallan cualesquiera de las siguientes condiciones:

1. El producto se utiliza para propósitos distintos a aquellos para los cuales fue diseñado y fabricado
2. El producto no fue instalado de conformidad con las normas, reglamentos y prácticas comerciales aceptadas
3. El producto se conecta a un voltaje distinto al que se indica en la placa de identificación
4. La bomba se utilizó con fluidos distintos al agua dulce a temperatura ambiente aproximadamente
5. La bomba funcionó sin líquido (se cortó el suministro de líquido)
6. El cliente abrió el alojamiento sellado del motor o desarmó el producto
7. El cable se cortó a un largo menor que 0,9 m (3 pies)

EXENCIÓN DE RESPONSABILIDAD: Toda afirmación verbal con respecto al producto, por parte del vendedor, la Compañía, los representantes o cualquier otra parte, no constituye garantía alguna, no debe ser considerada como tal por el usuario y no forma parte del contrato de venta. La única obligación del vendedor y la Compañía, y el único recurso del comprador, será el reemplazo y/o reparación que hará la Compañía del producto, tal como se describió anteriormente. NI EL VENDEDOR NI LA COMPAÑÍA SERÁN RESPONSABLES POR CUALQUIER LESIÓN, PÉRDIDA O DAÑO DIRECTO, INCIDENTAL O INDIRECTO (LO QUE INCLUYE, SIN LIMITACIÓN, DAÑOS INCIDENTALES O INDIRECTOS POR PÉRDIDA DE GANANCIAS, DE VENTAS, LESIONES PERSONALES O MATERIALES, O CUALQUIER OTRO DAÑO INCIDENTAL O INDIRECTO) QUE RESULTARA DEL USO O INCAPACIDAD DE USAR EL PRODUCTO, Y EL USUARIO ACUERDA QUE NO HAY NINGÚN OTRO RECURSO. Antes de usarlo, el usuario deberá determinar la idoneidad del producto para el uso propuesto y asumirá todos los riesgos y toda la responsabilidad que ello implique. LA GARANTÍA Y RECURSO DESCRITOS EN ESTA GARANTÍA LIMITADA REPRESENTAN UNA GARANTÍA Y RECURSO EXCLUSIVOS Y SE OFRECEN EN LUGAR DE CUALQUIER OTRA GARANTÍA O RECURSO, EXPLÍCITO O IMPLÍCITO. POR EL PRESENTE, SE EXCLUYEN EXPLÍCITAMENTE OTRAS GARANTÍAS Y RECURSOS, INCLUSO, PERO SIN LIMITARSE A CUALQUIER GARANTÍA IMPLÍCITA DE COMERCIALIZACIÓN O IDONEIDAD PARA UN PROPÓSITO ESPECÍFICO. EN LA MEDIDA EN QUE CORRESPONDA A UN PRODUCTO, LA GARANTÍA ESTARÁ LIMITADA EN DURACIÓN A LOS PERÍODOS DE LAS GARANTÍAS EXPRESAS DESCRITAS ANTERIORMENTE. Algunos estados y países no permiten la exclusión o las limitaciones sobre la duración de las garantías implícitas ni la exclusión o limitación de responsabilidades por daños incidentales o indirectos, por lo que puede que las exclusiones o limitaciones anteriores no correspondan en su caso particular. Esta garantía le otorga a usted derechos legales específicos y es posible que usted también tenga otros derechos que varían según el estado o país.

INSTRUCCIONES DE SEGURIDAD

AVISO - Precauciones Generales

- Revise todas las instrucciones antes de hacerla funcionar. El no seguir estas instrucciones podría causar daños corporales y/o daños a la propiedad.
- A pesar que esta bomba está garantizada para trabajar con productos abrasivos, el bombear arena continuamente reducirá la vida útil de la bomba y del motor, y afectará negativamente su rendimiento. Para prevenir que esto ocurra, se debe instalar la bomba y el motor en pozos totalmente desarrollados, con el debido sistema de rejillas para prevenir el bombeo de abrasivos.
- La bomba y el motor son enfriados y lubricados con agua, y se debe calcular su tamaño y uso en un pozo que proporcione una capacidad adecuada para evitar que funcione en seco. La bomba está diseñada para funcionar en seco por períodos intermitentes, **pero no el motor.**
- La bomba, las tuberías y el sistema deben estar protegidos contra temperaturas congelantes.
- Use guantes y protectores de ojos como medidas de seguridad durante el ensamblaje e instalación.
- Nunca la use en piscinas ni en áreas de piscinas.**

AVISO - Precauciones Eléctricas

Todo el cableado, las conexiones eléctricas y el sistema de contacto a tierra deben cumplir con el Código Eléctrico Nacional (NEC) y con cualquier código y ordenanzas locales. Contrate a un electricista autorizado.

- Se recomienda se use un circuito protegido con interruptor por falla a tierra (GFI) con el uso de cualquier dispositivo eléctrico que se haga funcionar cerca del agua.
- Haga que un electricista calificado le proporcione electricidad al motor. Vea el tamaño de cables en la tabla 1.
- Asegúrese que el voltaje de la línea y la frecuencia del suministro de la corriente eléctrica estén de acuerdo con las especificaciones indicadas en el motor.
- Asegúrese que los alambres de electricidad y contacto a tierra estén debidamente protegidos contra el agua y bien conectados.
- Asegúrese que el motor esté debidamente conectado a tierra.
- Desconecte siempre el suministro eléctrico antes de darle servicio.
- Nunca pruebe una bomba ni la use fuera del pozo sin conectar debidamente el sistema a tierra.

Tabla 1 – Selección de cable (Estadounidense)

Basado en un 5% de baja de voltaje

(Entrada de servicio al motor – Largo máximo en pies)

CUIDADO – ¡El uso de cables de menor tamaño que los recomendados invalida la garantía del motor!

Cable de dos o tres alambres, 60 HZ

Motor		(AWG) Tamaño del alambre de cobre							
HP	Voltios	14	12	10	8	6	4	3	2
1/3	115	130	210	340	540	840	1300	1610	1960
	230	550	880	1390	2190	3400	5250	6520	7960
1/2	115	100	160	250	390	620	960	1190	1460
	230	400	650	1020	1610	2510	3880	4810	5880
3/4	230	300	480	760	1200	1870	2890	3580	4370
1	230	250	400	630	990	1540	2380	2960	3610
1 1/2	230	190	310	480	770	1200	1870	2320	2850
2	230	150	250	390	620	970	1530	1910	2360
3	230	120	190	300	470	750	1190	1490	1850
5	230	0	0	180	280	450	710	890	1110
7 1/2	230	0	0	0	200	310	490	610	750

1pie = 0.3048 metros

Tabla 1 – Selección de cable (Canadiense)

Basado en un 3% de baja de voltaje

(Entrada de servicio al motor – Largo máximo en pies)

CUIDADO – ¡El uso de cables de menor tamaño que los recomendados invalida la garantía del motor!

Cable de dos o tres alambres, 60 HZ

Motor		(AWG) Tamaño del alambre de cobre							
HP	Voltios	14	12	10	8	6	4	3	2
1/3	115	75	125	205	325	505	780	965	1175
	230	330	528	834	1314	2040	3150	3912	4775
1/2	115	60	95	150	235	370	575	715	875
	230	240	390	610	965	1505	2325	2885	3525
3/4	230	180	285	455	720	1120	1735	2145	2620
1	230	150	240	375	595	925	1425	1775	2165
1 1/2	230	115	185	285	460	720	1120	1390	1710
2	230	90	150	235	370	580	915	1145	1415
3	230	70	115	180	280	450	715	895	1110
5	230	0	0	105	165	270	425	535	665
7 1/2	230	0	0	0	117	180	285	355	437

1pie = 0.3048 metros

ENSAMBLAJE

HERRAMIENTAS REQUERIDAS PARA EL ENSAMBLAJE

- Herramientas para tuberías
- Tornillos de banco o abrazaderas para tuberías
- Cinta de teflón
- Guantes y protectores de ojos
- Cinta adhesiva eléctrica para PVC aprobada por CSA o UL
- Trípode con grúa u otro sistema para sostener la unidad mientras se le baja al pozo
- Diversas herramientas como sean necesarias

¡ANTES DE INSTALAR SU BOMBA, LEA ESTAS INSTRUCCIONES COMPLETAMENTE!

APLICACIÓN

Esta bomba es ideal para el suministro de agua potable desde pozos perforados para hogares rurales, granjas, ranchos y cabañas.

Las bombas sumergibles son eficientes, de gran capacidad, requieren muy poco mantenimiento, y son generalmente muy económicas para pozos de 60 pies (19 m.) o mayor profundidad.

INFORMACIÓN GENERAL

AVISO: El Número de Modelo en su bomba está ubicado en la parte superior del cuerpo de la bomba. Anote este número junto con toda la información de la instalación en la sección proporcionada de la página 2 de este manual, guárdelo en un lugar seguro para futuras referencias en caso que necesite servicio. Lo más importante que usted debe saber de su pozo es: 1) su profundidad total; 2) profundidad hasta el agua; 3) nivel al que baja el agua cuando se bombea; 4) capacidad del pozo en galones por minuto.

1. La profundidad total del pozo es la distancia desde la superficie del terreno hasta el fondo del pozo.
2. La profundidad hasta el agua se mide desde la superficie del terreno hasta el nivel del agua en el pozo cuando la bomba no está funcionando.
3. El nivel al que baja el agua cuando se bombea se mide desde la superficie del terreno hasta el nivel del agua en el pozo cuando se bombea el agua. En la mayoría de los pozos, el nivel del agua baja cuando ésta se bombea.
4. La capacidad del pozo es la cantidad de agua en galones por minuto que el pozo produce sin bajar el nivel del agua.

COMPATIBILIDAD DEL POZO

IMPORTANTE: El pozo debe estar completamente desarrollado por el taladrador. **Debe** ser bombeado hasta que toda la arena y otros materiales ajenos sean sacados **antes de que la bomba sea instalada**. Asegúrese que el pozo sea lo suficientemente grande para permitir que la bomba sea instalada a la profundidad debida. **No** instale la bomba debajo de las perforaciones del cuerpo ni de la rejilla del pozo, a menos que esté seguro que hay suficiente flujo de agua alrededor del motor para enfriarlo. Para determinar el ajuste adecuado de la bomba, use los registros del taladrador, teniendo en cuenta la profundidad hasta el nivel del agua y el nivel mínimo de la misma con la cantidad de bombeo propuesta. Mantenga siempre la bomba por lo menos a 5 pies del fondo del pozo taladrado.

CONTACTO A TIERRA

Todo el cableado, las conexiones eléctricas y el sistema de contacto a tierra deben cumplir con el Código Eléctrico Nacional (NEC) y con cualquier código y ordenanzas locales. Contrate a un electricista autorizado.

Conecte a tierra permanentemente todos los componentes eléctricos de acuerdo al Código Eléctrico Nacional (NEC) y con cualquier código y ordenanzas locales.

NO haga contacto a tierra con una línea de suministro de gas.

NO la conecte al suministro de electricidad hasta que la unidad esté permanentemente conectada a tierra. Si se usa una cubierta plástica del pozo para su instalación, conecte a tierra

la tapa o sello del pozo de metal, pasando los contactos eléctricos por la tapa metálica o sello del pozo. Asegúrese de usar el tamaño adecuado de alambre. Vea el código eléctrico local.

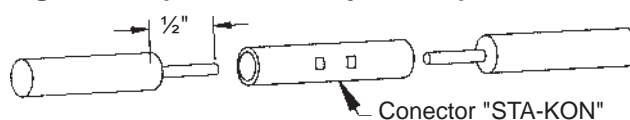
MÉTODOS DE EMPALME DE CABLES

Cuando el cable de descenso tenga que ser empalmado o conectado a los contactos del motor, el empalme debe ser a prueba de agua. El empalme se puede hacer con conexiones comerciales o con equipos de empalmes de encogimiento con calor. Siga cuidadosamente sus instrucciones.

A) MÉTODO TUBULAR DE ENCOGIMIENTO CON CALOR

MÉTODO RECOMENDADO (JUEGO PEDIDO #453820)

Figura 1 Empalme de encojimiento por calor



- 1) Corte aproximadamente 1/2 pulgada de aislamiento del conductor del cable y de los conductores.
- 2) Deslice aproximadamente 3 pulgadas del tubo de encojimiento con calor sobre los cables.
- 3) Conecte el terminal del conductor y de los conductores con conectores STA-KON o similares (Fig.1)
- 4) Ponga el tubo sobre la conexión, manteniendo el conector en el centro.
- 5) Aplique calor (como 135° C.) parejamente al tubo, desde el centro hacia los extremos, para evitar atrapar aire. Mientras esté calentándola, el adhesivo interior del tubo se derretirá y el tubo se encogerá rápidamente para encerrar y aislar la conexión. La capa de adhesivo sellará el contacto entre el tubo y el cable conector. Se logrará un sellado perfecto cuando la capa de adhesivo flote fuera del tubo y selle los conductores. Tenga cuidado mientras esté calentándola de no sobrecalentar el cable fuera del tubo. Esto dañará el aislamiento del cable.

B) MÉTODO DE CINTA ADHESIVA (alternativo)

CÓMO EMPALMAR CABLES SUMERGIBLES CON CINTA ADHESIVA

El empalme con cinta adhesiva debe seguir el siguiente procedimiento.

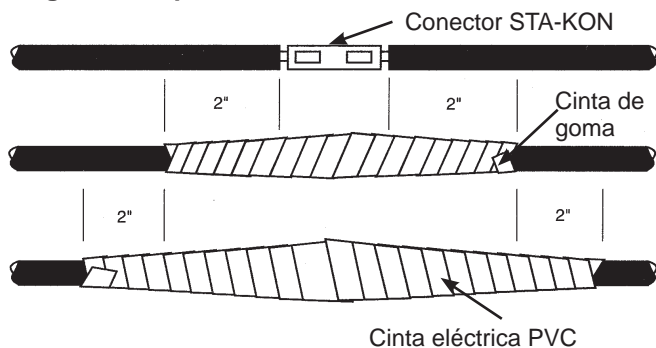
Vea la Fig. 2

- 1) Corte el aislante del conductor suficientemente para proporcionar espacio para un conector tipo estaca. Son preferibles los conectores tubulares del tipo estaca. Si el conector O.D. no es tan grande como el aislamiento del cable, aumentelo con cinta aislante eléctrica de goma aprobada por CSA/UL.
- 2) Una con cinta adhesiva los conductores individuales con cinta aislante eléctrica de goma aprobada por CSA/UL, usando dos capas. La primera debe extenderse dos pulgadas desde cada extremo del aislante del conductor. La segunda capa debe extenderse dos pulgadas desde los extremos de la primera capa. Envuélvala ajustadamente, eliminando espacios de aire como sea posible.

INSTALACIÓN

- 3) Ponga cinta adhesiva sobre la cinta adhesiva eléctrica de goma con Scotch #33 o con cinta aislante eléctrica PVC aprobada por CSA/UL, (3M Canada Inc./Minnesota Mining & Manufacturing Co.) o equivalente, usando dos capas como en el paso "2", haciendo que cada capa recubra los extremos de la capa anterior por lo menos por dos pulgadas más.

Figura 2 Empalme con cinta



En el caso de cables con **tres o cuatro** conductores contenidos en una sola vaina exterior, envuelva con cinta adhesiva los conductores individualmente con uniones escalonadas, tal como se describe. El grosor total de la cinta debe ser no menor que el grosor del aislamiento del conductor.

Se recomienda la siguiente prueba antes de la instalación. Prueba de fugas del cable y del empalme por contacto a tierra.

- 1) Sumerja el cable y las conexiones del empalme en un barril de acero con agua, con los dos extremos fuera del agua y sin tocar el barril, Fig. 3.
- 2) Ponga el indicador de Ohmios en RX 100K y ponga la aguja en cero (0) con las puntas unidas con un sujetador.
- 3) Sujete una punta del indicador de Ohmios al barril y la otra a cada conductor del cable individualmente.
- 4) Si la aguja se desvía a cero (0) en cualquiera de los conductores del cable, entonces una de las conexiones de empalme está defectuosa. Para verificar dos veces la conexión de empalme, saque el empalme del agua. Si la aguja se mueve hacia la marca de resistencia infinita (∞), quiere decir que la fuga está en el empalme.
- 5) Las reparaciones se deben hacer con cinta aislante eléctrica de goma y PVC, aprobada por CSA y/o UL.
- 6) Si la fuga no está en el empalme, saque lentamente el cable del agua hasta que la aguja se mueva hacia la marca de resistencia infinita (∞). Cuando la aguja se mueve hacia ∞ , la fuga está en ese punto.

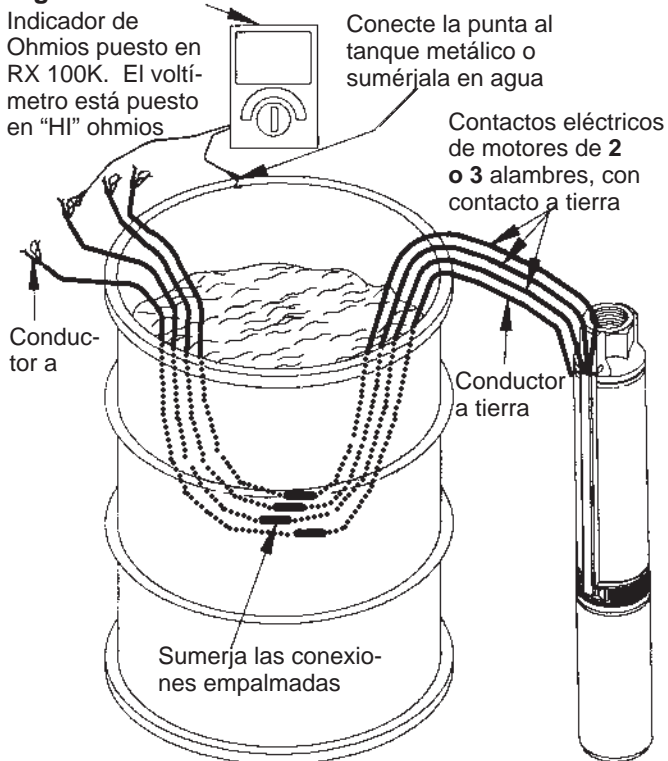
CÓMO INSTALAR SU BOMBA

UBICACIÓN DE LA BOMBA

Su bomba sumergible debe estar a no menos de 5 pies (1.5 metros) del fondo del pozo.

CUIDADO: Para evitar perder la bomba accidentalmente en el pozo, se recomienda que se le ate permanentemente una soga de polipropileno, de ¼ de pulgada al agujero en la cabeza de descarga de la bomba. El otro extremo de la soga debe estar asegurado a un a la parte superior del pozo.

Figura 3 Prueba del cable



INSTALACIÓN EN POZO TALADRADO

- 1) Revise su bomba y los accesorios para ver que no tengan daños físicos.
- 2) Revise el abastecimiento eléctrico para ver que tenga el voltaje, fusibles, tamaños de alambres y transformador adecuados.
- 3) Revise la cubierta del pozo. El borde superior de la cubierta debe estar completamente liso. Bordes dentados podrían cortar o dañar el cable y causar un corto circuito.
- 4) Seleccione su tubería. Utilice solamente tuberías aprobadas por CSA de polietileno, plástico semi rígido, o tuberías de acero 40 para bombas de alta presión. La tubería debe ser lo suficientemente fuerte para resistir la de presión máxima del sistema. La descarga de la bomba es de 1¼ de pulgada. Se puede usar tuberías de 1 pulgada con las unidades de 5, 7 y 10 GPM. En las unidades de 10 GPM, cuando la profundidad al agua excede los 300 pies (91 metros), use solamente tuberías de 1¼ de pulgada. En las unidades de 15 y 20 GPM use solamente tuberías de 1¼ de pulgada. Asegúrese de tener el largo correcto de tubería. La bomba se debe instalar a no menos de 5 pies (1.5 metros) del fondo del pozo.

CÓMO INSTALAR LA BOMBA CON TUBERÍAS DE POLIETILENO

- Envuelva la rosca de la tubería de 1¼ de pulgada NPT x 1 pulgada del adaptador de la tubería plástica macho con cinta de teflón, si es que se va a usar una tubería de 1 pulgada.
- Instale el adaptador a la abertura de descarga de la bomba **mientras sujeta la cabeza de descarga con una herramienta para evitar que se salga la cabeza del cuerpo de la bomba.**

INSTALACIÓN

- Instale y ajuste dos abrazaderas de manguera de **acero inoxidable** de 1 pulgada sobre un extremo de la tubería.
- Caliente la tubería de polietileno para ablandarla.
- Presione la tubería de polietileno sobre el adaptador.
- Ajuste las abrazaderas firmemente alrededor de la tubería sobre el extremo del adaptador.
- Mientras la bomba y la tubería son bajadas al pozo, el cable sumergible debe estar unido a la tubería de descarga a 5 pies de la parte superior de la bomba, usando cinta adhesiva eléctrica o ataduras de chasqueo para alambres. Repita este procedimiento a intervalos de 10 pies (3 m.) a lo largo de la tubería de descarga.

NOTA: Una abrazadera o tornillo de presión debe estar sujetado firmemente al extremo superior de la tubería mientras ésta se baja al pozo.

- Cuando la bomba haya llegado a la profundidad deseada, pase la tubería y el cable por las aberturas en el sello del pozo. La tubería de descarga pasa por el agujero central, y el cable por la abertura. **El sello del pozo debe estar ventilado.**
- Corte la tubería de polietileno. Ponga dos abrazaderas de 1 pulgada sobre el extremo de la tubería.
- Caliente el extremo de la tubería para ablandarla.
- Instale un racor de 90 grados en la parte superior de la tubería de descarga.

NOTA: Si la tubería no se tuvo que cortar, y la última sección de la tubería tiene una hembra conector, utilice una unión de 1 x 2 pulgadas de largo y luego enrosque el codo dentro de la unión. Utilice cinta de teflón para sellar las uniones.

- Se puede usar un codo sellador de pozo de 1 pulgada en lugar del adaptador de conexión macho de 1 pulgada y codo.
- Instale el sello del pozo dentro de la cubierta del pozo, ajustando los tornillos de casquete a la cubierta del pozo. **El sello del pozo debe estar ventilado.**
- Continúe con las conexiones de tuberías al tanque en la casa. Continúe fijando el cable sumergible de la bomba a la tubería. Se necesitarán abrazaderas y uniones adicionales para hacer las conexiones necesarias en el codo y en el centro de control.

CÓMO INSTALAR LA BOMBA CON TUBERÍA DE PLÁSTICO SEMI RÍGIDO

- Envuelva la rosca de la tubería con cinta de teflón.
- Enrosque la primera sección de la tubería a la abertura de descarga de la bomba.
- Hay secciones disponibles de 10 y 20 pies de largo. Use un empalme y solvente para unir las secciones de las tuberías.

NOTA: Se debe poner firmemente una abrazadera o tornillo de presión al extremo superior de la tubería mientras se le baja.

- Al bajar la tubería, el cable de alambre sumergible debe estar asegurado a la tubería de descarga con cinta adhe-

siva eléctrica a 5 pies de la parte superior de la bomba. Repita este procedimiento a intervalos de 10 pies (3 m.) a lo largo de la tubería de descarga.

- Cuando la bomba haya llegado a la profundidad deseada, pase la tubería y el cable por las aberturas del sello del pozo. La tubería de descarga pasa por el agujero central, y el cable por la abertura del conductor. El sello del pozo debe estar ventilado.
- Corte la última sección al largo deseado.
- Instale un conector macho de 1 pulgada o de 1¼ de pulgada sobre el extremo de la tubería, usando un solvente para soldar la piezas juntas.
- Envuelva la rosca de un codo plástico de 90 grados con cinta de teflón.
- Enrosque el codo al conector macho.

NOTA: Si no se tuvo que cortar la última sección de la tubería, y si la última sección de la tubería tiene un conector hembra, use una conexión de 2 pulgadas de largo y enrosque el codo a la conexión.

- Instale el sello del pozo en la cubierta del mismo ajustando los tornillos de casquete al sello del pozo. **El sello del pozo debe estar ventilado.**
- Continúe la conexión de tuberías al tanque en la casa. Continúe asegurando el cable de la bomba sumergible a la tubería. Se necesitarán más abrazaderas y racores para hacer las conexiones necesarias en el codo y en el centro de control.

CÓMO INSTALAR EL CENTRO DE CONTROL

(figura 5)

NOTA: Se debe usar cinta de teflón en todas las uniones de rosca.

- Envuelva la rosca exterior del centro de control del tanque con cinta de teflón en la abertura (A) y enrósquela a la abertura del tanque (vea la fig. 4). En centro de control se enroscará directamente a una abertura en el costado del tanque recubierta de vidrio o resina epoxídica, y previamente cargado.
- Instale el medidor de presión con un manguito de ¾ x ¼ de pulgada en la abertura marcada como abertura (B) en el centro de control.
- Instale un interruptor de presión o un interruptor de “pérdida de presión” usando una conexión de ¼ x 3 pulgadas en la abertura (C) en el centro de control.
- Conecte la tubería que viene del pozo y la bomba a la abertura (E) en el centro de control, usando el adaptador plástico de tubería macho adecuado y una abrazadera si se usa polietileno, o enrosque directamente al centro de control si se usa ABS o tuberías de acero.
- Prosiga de la abertura (D) en el centro de control a las líneas de servicio de la casa.

NOTA: Se recomienda el uso de cinta de teflón en todas las uniones con rosca.

NOTA: Se recomienda no instalar los modelos de 1 HP y 1 1/2 HP donde el nivel de bombeo sea menor a 30m (100')

INSTALACIÓN

PARA INSTALACIÓN EN LAGO O EN POZO DE DIÁMETRO GRANDE

Todo el cableado, las conexiones eléctricas y el sistema de contacto a tierra deben cumplir con el Código Eléctrico Nacional (NEC) y con cualquier código y ordenanzas locales. Contrate a un electricista autorizado.

Si la bomba se instala en un lago o en un pozo de diámetro grande, se debe poner alrededor del motor una manga que induzca el flujo. La manga debe tener un diámetro interior de 4 a 6 pulgadas, y debe ser de metal resistente a la corrosión o de plástico fuerte. La manga asegurará el flujo correcto de agua alrededor del motor para enfriarlo. La manga inductora de flujo está cerrada encima de la toma de la bomba y se extiende hasta la parte inferior del motor o más abajo, como se muestra en la figura 6.

Figura 5 El centro de control

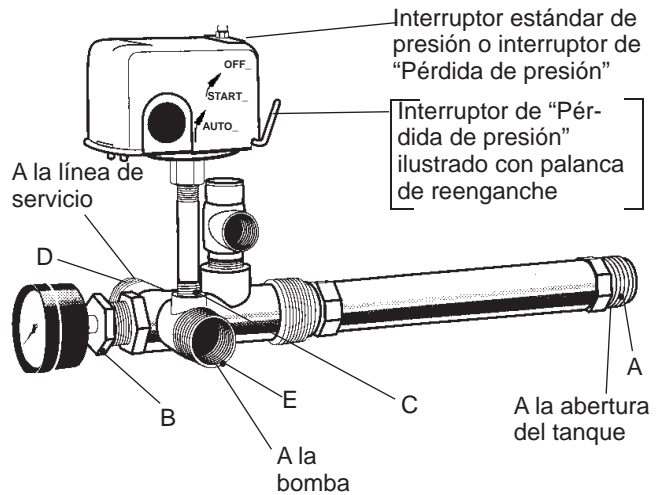


Figura 4 Aberturas del tanque

Tanque precargado "Captive Air®"

Tanque precargable recubierto de vidrio o resina epoxídica

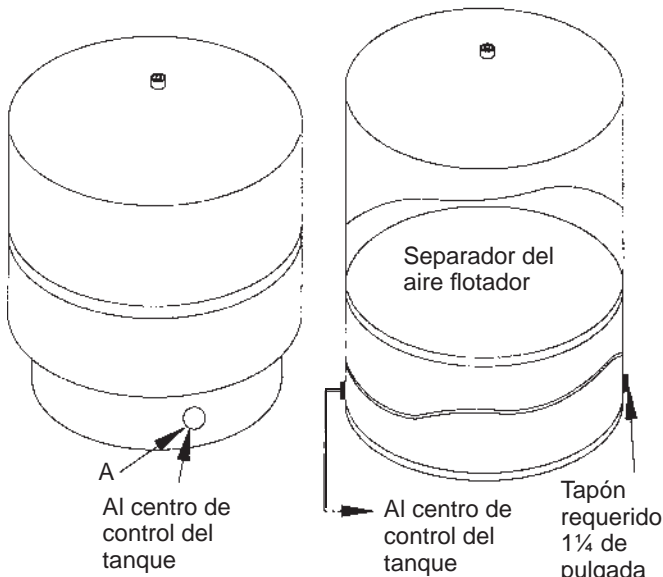
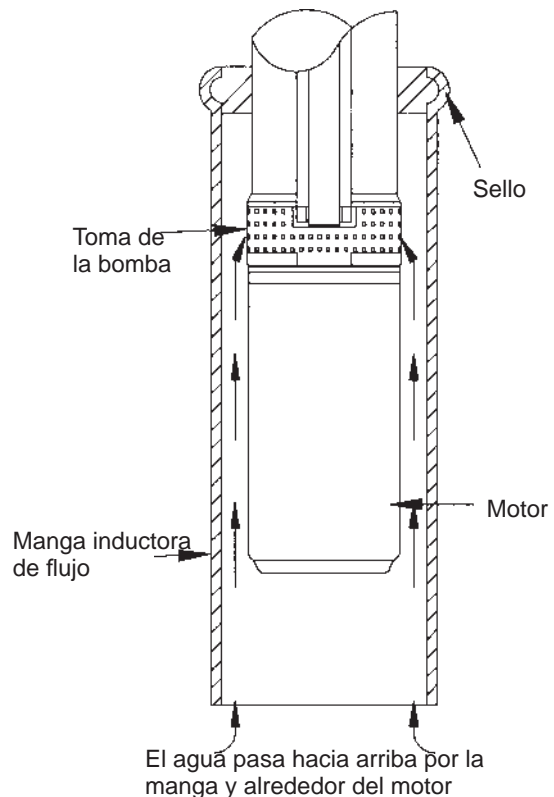


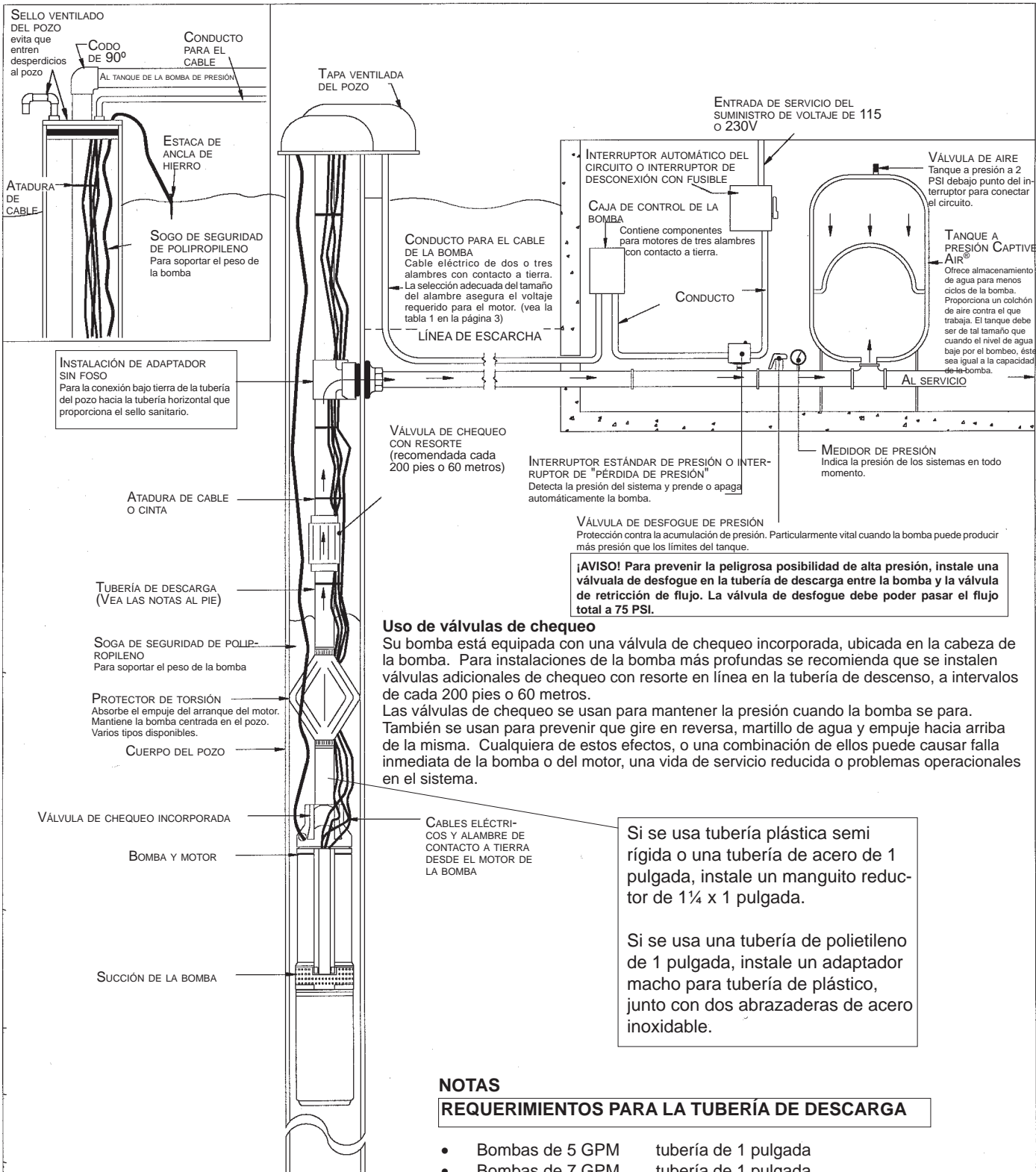
Figura 6 Manga inductora de flujo



INSTALACIÓN

Figura 7 Instalación de la bomba

DIAGRAMA DE UN SISTEMA DE 3 ALAMBRES CON Y SIN ADAPTADOR SIN FOSO (VEA EN LA PÁGINA 10, FIG. 9 DE ESTE MANUAL LOS DIAGRAMAS DE CABLEADO)



Uso de válvulas de chequeo

Su bomba está equipada con una válvula de chequeo incorporada, ubicada en la cabeza de la bomba. Para instalaciones de la bomba más profundas se recomienda que se instalen válvulas adicionales de chequeo con resorte en línea en la tubería de descenso, a intervalos de cada 200 pies o 60 metros. Las válvulas de chequeo se usan para mantener la presión cuando la bomba se para. También se usan para prevenir que gire en reversa, martillo de agua y empuje hacia arriba de la misma. Cualquiera de estos efectos, o una combinación de ellos puede causar falla inmediata de la bomba o del motor, una vida de servicio reducida o problemas operacionales en el sistema.

Si se usa tubería plástica semi rígida o una tubería de acero de 1 pulgada, instale un manguito reductor de 1¼ x 1 pulgada.

Si se usa una tubería de polietileno de 1 pulgada, instale un adaptador macho para tubería de plástico, junto con dos abrazaderas de acero inoxidable.

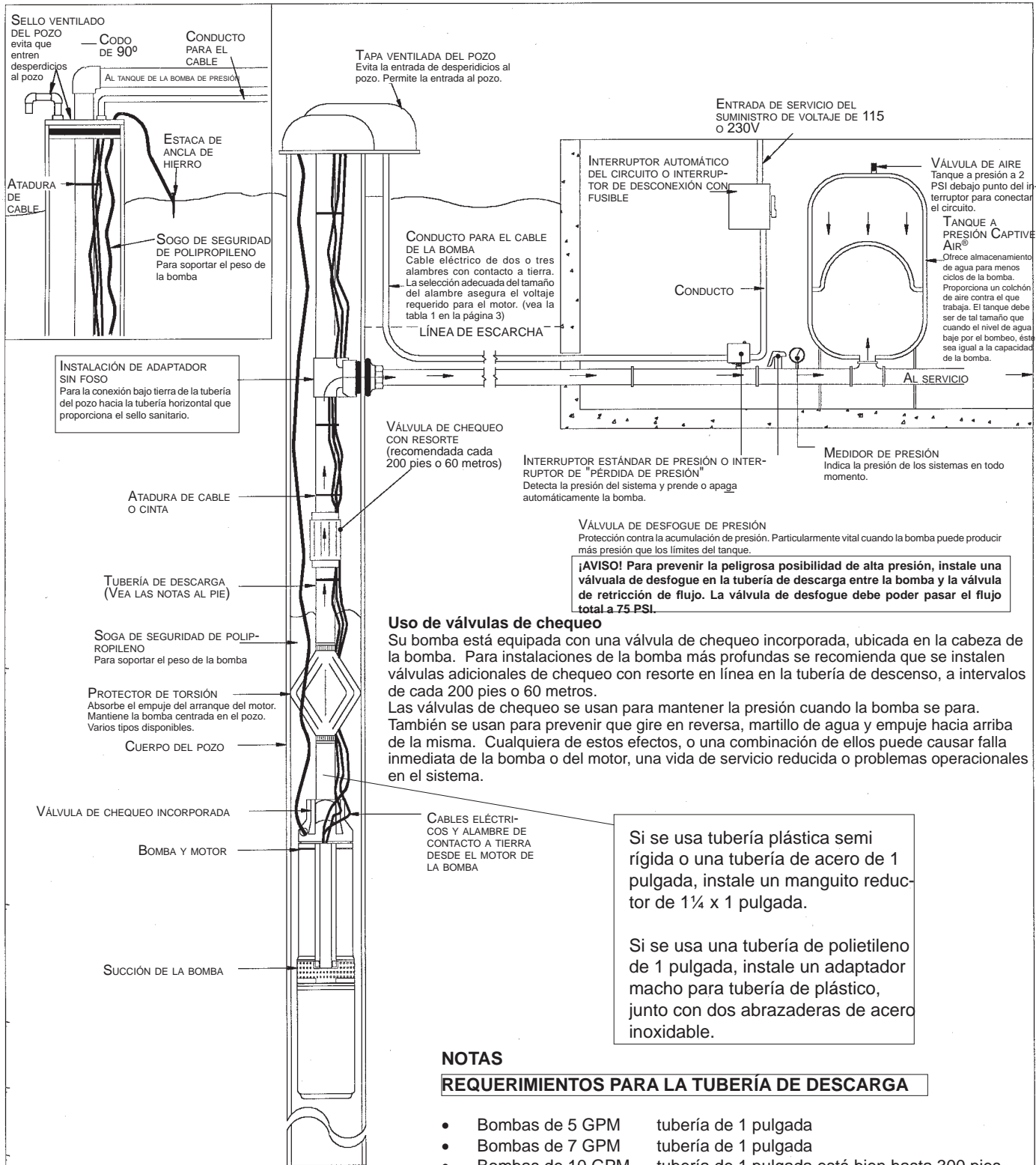
NOTAS REQUERIMIENTOS PARA LA TUBERÍA DE DESCARGA

- Bombas de 5 GPM tubería de 1 pulgada
- Bombas de 7 GPM tubería de 1 pulgada
- Bombas de 10 GPM tubería de 1 pulgada está bien hasta 300 pies de profundidad hasta el agua
- Bombas de 10 GPM tubería de 1¼ de pulgada si la profundidad hasta el agua excede los 300 pies

INSTALACIÓN

Figura 8 Instalación de la bomba

DIAGRAMA DE UN SISTEMA DE 2 ALAMBRES CON Y SIN ADAPTADOR SIN FOSO (VEA EN LA PÁGINA 10, FIG. 9 DE ESTE MANUAL LOS DIAGRAMAS DE CABLEADO)



Uso de válvulas de chequeo

Su bomba está equipada con una válvula de chequeo incorporada, ubicada en la cabeza de la bomba. Para instalaciones de la bomba más profundas se recomienda que se instalen válvulas adicionales de chequeo con resorte en línea en la tubería de descenso, a intervalos de cada 200 pies o 60 metros. Las válvulas de chequeo se usan para mantener la presión cuando la bomba se para. También se usan para prevenir que gire en reversa, martillo de agua y empuje hacia arriba de la misma. Cualquiera de estos efectos, o una combinación de ellos puede causar falla inmediata de la bomba o del motor, una vida de servicio reducida o problemas operacionales en el sistema.

Si se usa tubería plástica semi rígida o una tubería de acero de 1 pulgada, instale un manguito reductor de 1½ x 1 pulgada.

Si se usa una tubería de polietileno de 1 pulgada, instale un adaptador macho para tubería de plástico, junto con dos abrazaderas de acero inoxidable.

NOTAS

REQUERIMIENTOS PARA LA TUBERÍA DE DESCARGA

- Bombas de 5 GPM tubería de 1 pulgada
- Bombas de 7 GPM tubería de 1 pulgada
- Bombas de 10 GPM tubería de 1 pulgada está bien hasta 300 pies de profundidad hasta el agua
- Bombas de 10 GPM tubería de 1¼ de pulgada si la profundidad hasta el agua excede los 300 pies

CONEXIONES ELÉCTRICAS

(VEA LA FIG. 9)

AVISO - PRECAUCIONES DE ELECTRICIDAD

TODO EL CABLEADO, LAS CONEXIONES ELÉCTRICAS Y EL SISTEMA DE CONTACTO A TIERRA DEBEN CUMPLIR CON EL CÓDIGO ELÉCTRICO NACIONAL (NEC) Y CON CUALQUIER CÓDIGO Y ORDENANZAS LOCALES. CONTRATE A UN ELECTRICISTA AUTORIZADO.

AVISO... Peligro de descarga eléctrica

Contrate a un electricista autorizado para que haga el cableado. Se requiere un interruptor automático de circuito adicional en el panel eléctrico de su casa. Se debe usar un circuito protegido con interruptor por falla a tierra (GFI) con todo dispositivo que se haga funcionar cerca del agua. Instale un adecuado interruptor de desconexión con fu-sible en la línea y asegúrese que el tamaño del cable es el correcto y que esté bien aislado. **Alambres de menor tamaño entre el motor y el suministro eléctrico limitarán negativamente las capacidades de encendido y capacidad de bombeo del motor, invalidando la garantía.** Los tamaños mínimos de alambres para los circuitos de ramificación del motor están recomendados en la tabla 1, página 3. **Por medidas de seguridad, el motor debe estar conectado a tierra.** Vea en la tabla 2 los requerimientos de fusibles.

- **Apague** el suministro eléctrico principal de la bomba antes de hacer el cableado.
- Ponga el interruptor de control de presión en la posición de pagado (**OFF**) si su interruptor estuviera equipado con una palanca de control, desconectando así el interruptor.
- Saque la tapa del interruptor de presión aflojando la tuerca de la tapa. Conecte los alambres que vienen del suministro eléctrico a los terminales de la línea "**LINE**" en el interruptor de presión. **Use un alambre de por lo menos calibre 14 en el interruptor de presión.**
- Corte el cable sumergible que viene del pozo y conecte los alambres a los terminales de carga "**LOAD**" en el interruptor de presión.
- Vuelva a colocar la tapa en el interruptor de presión y ponga la palanca en **AUTO**, si su interruptor estuviera equipado con ella.

TABLA 2 – REQUIRIMIENTOS DEL INTERRUPTOR AUTOMÁTICO DE CIRCUITO O FUSIBLES

(MOTORES FRANKLIN MONOFÁSICOS DE 2 Y 3 ALAMBRES)

Caballos de fuerza del motor	Número de alambres	Voltaje de suministro	Tamaño de interruptor o fusible	
			Estándar	Retraso
1/3 HP	2 o 3 alambres	115	25	10
			15	5
1/2 HP	2 o 3 alambres	115	30	15
			15	7
3/4 HP	2 o 3 alambres	230	20	9
1 HP	2 o 3 alambres	230	25	12
1-1/2 HP	2 alambres	230	35	15
1-1/2 HP	3 alambres	230	30	15
2 HP	3 alambres	230	30	15
3 HP	3 alambres	230	45	20
5 HP	3 alambres	230	70	30

MANTENIMIENTO

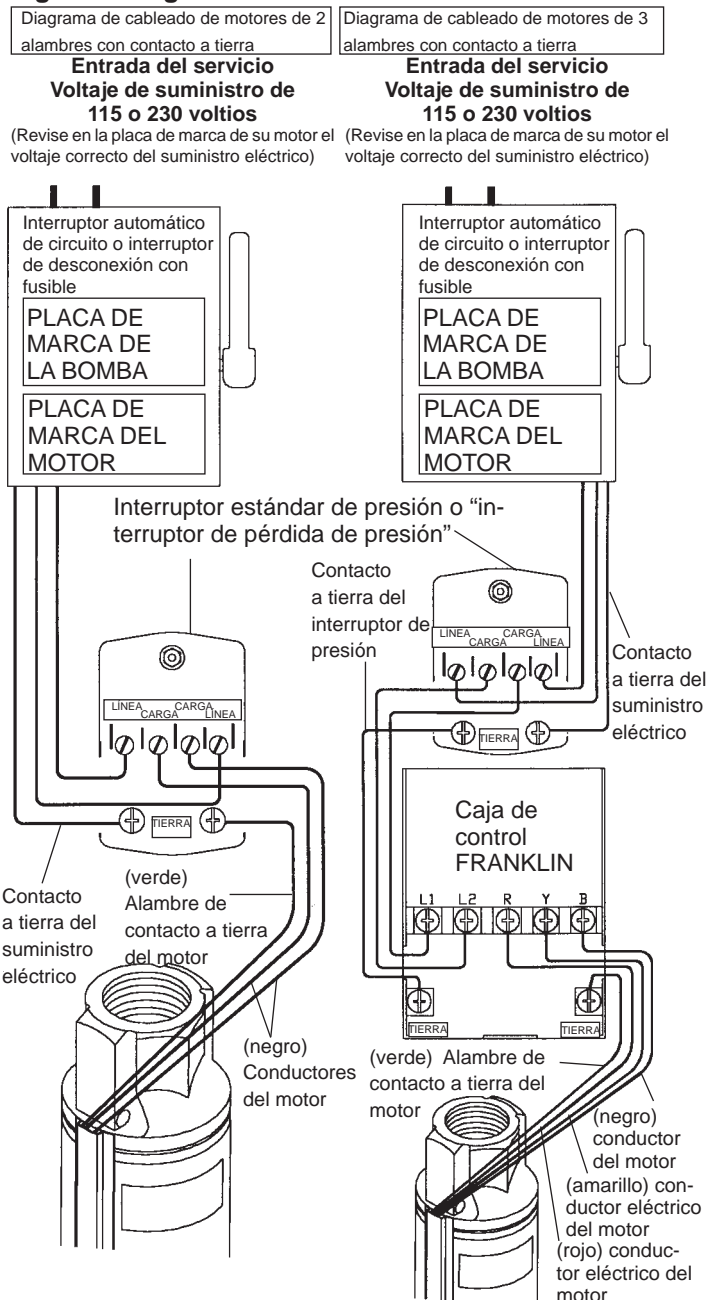
No es necesario ningún mantenimiento periódico para la bomba sumergible. Sin embargo, se recomienda revisar el cableado y las tuberías anualmente.

CÓMO ENCENDER LA BOMBA

Ponga el interruptor automático de circuito en la posición de prendido "**ON**" para encender la bomba. La bomba debe empezar a acumular presión inmediatamente. Deje que la bomba funcione hasta que el agua que corre esté clara.

NOTA: Si su interruptor de presión está equipado con un interruptor de corte del circuito por pérdida de presión (con una palanca), usted tendrá que sujetar la palanca en la posición de encendido hasta que se haya acumulado suficiente presión para permanecer así sin tener que sujetar la palanca en la posición de encendido. La bomba funcionará hasta que se acumule la presión del sistema al punto de la posición de corte del circuito del interruptor. El sistema funcionará automáticamente entre las posiciones de presión de conectar el circuito y corte del circuito del interruptor.

Figura 9 Diagrama de cableado



CÓMO SOLUCIONAR PROBLEMAS

PROBLEMA	CAUSAS	ACCIÓN CORRECTIVA
Su bomba no bombea o bombea poca agua	<ol style="list-style-type: none"> 1. El nivel del agua baja demasiado en pozos de baja producción cuando la bomba está funcionando, causando un bloqueo de aire. (Resultando en pérdida de la carga y posiblemente dañando seriamente la bomba.) 2. La rejilla de admisión está parcialmente bloqueada. 3. La válvula(s) de chequeo puede estar atorada. 4. El voltaje es demasiado bajo; el motor funcionará despacio, causando baja presión de descarga y alta succión de corriente líquida operacional 	<ol style="list-style-type: none"> 1. Baje la bomba aún más en el pozo, pero asegúrese que esté a por lo menos 5 pies del fondo del mismo. Instale una válvula en la tubería de descarga, entre la bomba y el tanque de presión. Use la válvula para limitar el flujo hasta que la cantidad de descarga no exceda la cantidad de recuperación. ¡AVISO! Para evitar la peligrosa posibilidad de alta presión, instale una válvula de desfogue en la tubería de descarga, entre la bomba y la válvula de restricción de flujo. La valva de desfogue debe poder pasar el flujo total de la bomba a 75 PSI. 2. La cal u otras materias se pueden acumular en la rejilla. Saque la bomba y limpie la rejilla. 3. Asegúrese que la válvula de chequeo incorporada en la bomba y cualquier válvula de chequeo en la línea de descarga se puedan abrir libremente. 4. Haga que un electricista calificado verifique el voltaje en la caja de desconexión eléctrica (de 2 alambres) o en el centro de control (3 alambres) mientras la bomba esté funcionando. Si el voltaje es bajo, la compañía eléctrica podría tener que elevar el voltaje, o la instalación pudiera requerir un alambre más grande. Hable de esto con la compañía eléctrica o con un electricista calificado.
De sus grifos sale aire o agua lechosa	<ol style="list-style-type: none"> 1. El agua del pozo puede ser gaseosa 	<ol style="list-style-type: none"> 1. Si su pozo es gaseoso por naturaleza y su sistema tiene un tanque estándar, saque los orificios de la válvula de escape y bloquee las uniones en T. Si la condición es seria, consulte con profesionales calificados de pozos.
La bomba arranca demasiado frecuentemente	<ol style="list-style-type: none"> 1. Hay fuga en el tanque de presión o en la plomería 2. El interruptor de presión está defectuoso o mal regulado 3. La válvula de chequeo tiene fuga 4. El tanque de agua está saturado con agua 5. La tubería de descenso tiene fuga 6. El interruptor de presión está demasiado lejos del tanque 	<ol style="list-style-type: none"> 1. Revise todas las conexiones con agua jabonosa para ver que no haya fugas. Revise la plomería para ver que no haya fugas de agua. Arregle cualquier fuga que encuentre. 2. Reemplace el interruptor si fuera necesario 3. Revise las válvulas y reemplácelas si fuera necesario. 4. Para tanques Captive Air®: Revise que no haya fugas en el tanque, corríjalas si fuera necesario. Cargue de antemano los tanques con interruptor de 20-40 PSI con 18 PSI, para los de 30-50 PSI con 28 PSI, para los de 40-60 PSI con 38 PSI, etc. Tanques estándares: revise que no haya fugas, corríjalas si fuera necesario. Revise los orificios de la válvula escape y limpie los escapes, reemplácelas si fuera necesario. 5. Levante un largo de tubería a la vez hasta encontrar la fuga. Cuando el agua se queda en la tubería quiere decir que no hay fugas debajo de ese punto. 6. Mueva el interruptor de presión a no más de un pie de distancia del tanque.
Los fusibles se queman o el protector de sobrecarga salta cuando el motor arranca	<ol style="list-style-type: none"> 1. Los fusibles o los alambres son demasiado pequeños 2. Voltaje alto o bajo 3. Los empalmes del cable o el bobinado del motor están haciendo contacto a tierra, tienen corto circuito o están abiertos. 4. Para los de 3 alambres solamente: Los conductores del cable pueden estar incorrectamente conectados en la caja de control de la bomba, en el interruptor de presión, o en el interruptor de desconexión con fusibles. 5. Para los de 3 alambres solamente: Puede haber un alambre roto en la caja de control de la bomba. 6. Para los de 3 alambres solamente: El condensador de encendido o funcionamiento en la caja de control puede estar defectuoso o ventilado (quemado). 	<ol style="list-style-type: none"> 1. Cámbielos por los tamaños correctos de alambre (vea la tabla 1 en la página 3). 2. Mientras el motor esté funcionando, el voltaje no debe exceder más del 5% o menos del 5% de la categoría de voltaje asignada en la placa de marca del motor. Llame a la compañía eléctrica para ajustar el voltaje de la línea si no estuviera dentro de estos límites. 3. Consulte con un electricista o técnico de servicio calificado. 4. Revise el diagrama de cableado en la caja de control de la bomba (vea también la fig 9, página 10) y el código de color en el cable de descenso. 5. Haga que un electricista calificado revise todas las conexiones y el cableado en el panel de control. Arréguelas si fuera necesario. 6. Revise los condensadores. Haga que un electricista calificado revise los condensadores y los reemplace si fuera necesario. <p>¡AVISO! Voltaje peligroso, puede causar una descarga eléctrica, quemaduras o la muerte. Los condensadores pueden tener voltaje aún después de ser desconectados del cableado. Haga que un electricista calificado los revise.</p>

CÓMO SOLUCIONAR PROBLEMAS

PROBLEMA	CAUSAS	ACCIÓN CORRECTIVA
<p>El motor no arranca pero no quema los fusibles</p> <p>¡AVISO! Voltaje peligroso. Puede causar una descarga eléctrica, quemar o causar la muerte. Contrate a un electricista autorizado para que haga el trabajo eléctrico.</p>	<ol style="list-style-type: none"> No llega voltaje al motor. Los empalmes del cable o el bobinado del motor están haciendo contacto a tierra, tienen corto circuito o están abiertos. Circuito abierto en la caja de control de la bomba (para los de 3 alambres solamente), conexiones defectuosas, alambres defectuosos. Interruptor de presión defectuoso. Para los de 3 alambres solamente: Los conductores del cable están incorrectamente conectados en el centro de control. 	<ol style="list-style-type: none"> Con un voltímetro revise: 1) la caja de fusibles para asegurarse que el voltaje completo está disponible, 2) los terminales del interruptor de presión para asegurarse que el interruptor de presión está pasando el voltaje correctamente, y 3) las tiras de terminales en la caja de control de la bomba o en la caja del interruptor de desconexión para asegurarse que hay voltaje disponible ahí. Para los motores de 1½ a 3 HP: presione el botón(es) rojo de sobrecarga para reengancharlo, ubicado en el fondo del centro de control. Consulte con un electricista o técnico de servicio calificado. No trate de desarmar la bomba ni el motor. Revise todas las conexiones y alambres, examine las tiras de terminal en el centro de control (3 alambres solamente), arréguelas si fuera necesario. Revise el interruptor de presión, cámbielo si fuera necesario. Revise el diagrama de cableado en el panel del centro de control de la bomba (o vea la fig 9, página 10) y el código de color en el cable de descenso.
<p>El interruptor de presión no apaga la bomba</p>	<ol style="list-style-type: none"> El voltaje es demasiado bajo; el motor funcionará despacio, causando baja presión de descarga y alta succión de corriente líquida operacional. Interruptor de presión defectuoso. La tubería de descenso tiene fuga El nivel del agua en el pozo puede llegar a ser demasiado bajo cuando la bomba está funcionando. 	<ol style="list-style-type: none"> Haga que un electricista calificado verifique el voltaje en la caja de desconexión eléctrica (de 2 alambres) o en la caja de control de la bomba (3 alambres) mientras la bomba esté funcionando. Si el voltaje es bajo, la compañía eléctrica podría tener que elevar el voltaje, o la instalación pudiera requerir un alambre más grande. Hable de esto con la compañía eléctrica o con un electricista calificado. Revise el voltaje con un registrador de voltaje si el problema vuelve a ocurrir. Cambie el interruptor. Levante un largo de tubería a la vez hasta encontrar la fuga. Cuando el agua se queda en la tubería quiere decir que no hay fugas debajo de ese punto. Baje la bomba aún más en el pozo, pero asegúrese que esté de 5 a 10 pies del fondo del pozo. Instale una válvula en la tubería de descarga, entre la bomba y el tanque de presión. Use la válvula para limitar el flujo hasta que la cantidad de descarga no exceda la cantidad de recuperación. <p>¡AVISO! Para evitar la peligrosa posibilidad de alta presión, instale una válvula de desfogue en la tubería de descarga, entre la bomba y la válvula de restricción de flujo. La valva de desfogue debe poder pasar el flujo total de la bomba a 75 PSI.</p>
<p>Los fusibles se queman o el protector de sobrecarga salta cuando el motor está funcionando</p>	<ol style="list-style-type: none"> Voltaje alto o bajo Para los de 3 alambres solamente: Temperatura ambiental elevada Para los de 3 alambres solamente: Caballaje o voltaje equivocado para la instalación de la caja de control de la bomba. El tamaño de los alambres es demasiado pequeño. Conectado incorrectamente a la caja de control de la bomba. Los empalmes del cable o el bobinado del motor están haciendo contacto a tierra, tienen corto circuito o están abiertos. 	<ol style="list-style-type: none"> Mientras el motor esté funcionando, el voltaje no debe exceder más del 5% o menos del 5% de la categoría de voltaje asignada en la placa de marca del motor. Llame a la compañía eléctrica para ajustar el voltaje de la línea si no estuviera dentro de estos límites. Asegúrese que la caja de control de la bomba no esté expuesta directamente a la luz del sol. Compare el caballaje y el voltaje requerido del motor (en la placa de marca del motor) con el de la caja de control de la bomba (en la placa de marca de la caja de control de la bomba). Estos números deben coincidir. Vea la tabla 1, página 3 de este manual para asegurarse que los tamaños de los cables coinciden con los especificados en la tabla. Consulte con un electricista o técnico de servicio calificado para determinar si esta es la causa del problema o no. No trate de desarmar la bomba ni el motor.

SERVICIO AL CLIENTE:
Línea directa: 1-800-667-1457

RED LION
51 Burmac Road, P.O. Box 429
Winnipeg, Manitoba, Canada
R3C 3E4

Fax: (204) 255-5214
www.redlionproducts.com

RED LION