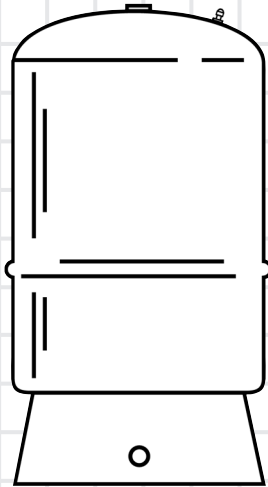
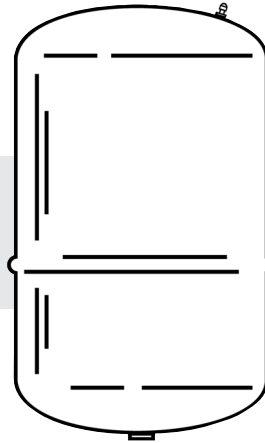


DIAPHRAGM WELL TANK

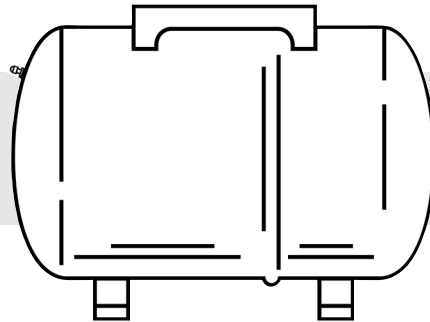
- **Safety Instructions**
- **Installation**
- **Warranty**



VERTICAL SERIES:
14-20-32-36-52-65-86-96-119 GALLON



IN-LINE SERIES:
2-5 & 7 GALLON



HORIZONTAL SERIES:
7-14 & 20 GALLON



Certified to
NSF/ANSI 61-G

NO LEAD

NO LEAD: The weighted average of the wetted surface of this no lead product contacted by consumable water contains less than one quarter of one percent (0.25%) lead.

⚠ WARNING

Read and understand installation manual and safety messages before installing, operating or servicing this pump tank.

Failure to follow instructions and safety messages could result in death or serious injury.

KEEP THIS MANUAL FOR FUTURE REFERENCE WHENEVER MAINTENANCE ADJUSTMENT OR SERVICE IS REQUIRED.
Water Systems • 4302 RALEIGH STREET • CHARLOTTE, NC 28213




Questions, problems, missing parts? Before returning to the point of sale, call our Technical Assistance Team at 1800-549-6233, 7:00 a.m.-7:00 p.m., CST, Monday-Friday





CONTENTS

SAFE INSTALLATION, USE, AND SERVICE..... 2	Draining for servicing or for Winter.....5
IMPORTANT INSTRUCTIONS BEFORE INSTALLATION. 3	Tools Needed for All Pump Installations5
FEATURES AND OPERATING CYCLES 4	TYPICAL SUBMERSIBLE PUMP INSTALLATION..... 6
TANK SPECIFICATIONS 4	TYPICAL JET PUMP INSTALLATION 6
Piping5	Setting the Tank Pressure7
DIAPHRAGM TANK INSTALLATION 5	Other Tank Installations.....7
General Materials*5	WARRANTY 8

SAFE INSTALLATION, USE, AND SERVICE

The proper installation, use, and servicing of this well tank is extremely important to your safety and the safety of others. Many safety-related messages and instructions have been provided in this manual and on your own water heater to warn you and others of a potential injury hazard. Read and obey all safety messages and instructions throughout this manual. It is very important that the meaning of each safety message is understood by you and others who install, use, or service this water heater.

	<p>This is the safety alert symbol. It is used to alert you to potential personal injury hazards. Obey all safety messages that follow this symbol to avoid possible injury or death.</p>
--	---

	<p>DANGER indicates an imminently hazardous situation which, if not avoided, will result in injury or death.</p>
	<p>WARNING indicates a potentially hazardous situation which, if not avoided, could result in injury or death.</p>
	<p>CAUTION indicates a potentially hazardous situation which, if not avoided, could result in minor or moderate injury.</p>
	<p>CAUTION used without the safety alert symbol indicates a potentially hazardous situation which, if not avoided, could result in property damage.</p>

All safety messages tell you about the type of hazard, what can happen if you do not follow the safety message, and how to avoid the risk of injury.

IMPORTANT INSTRUCTIONS BEFORE INSTALLATION

WARNING

FAILURE TO FOLLOW THESE INSTRUCTIONS MAY CAUSE SERIOUS BODILY INJURY AND/OR PROPERTY DAMAGE.

1. All piping and electrical wiring must adhere to state and local codes. Check with appropriate community agencies, or contact your local electrical and pump professionals.
2. Install tank as close as possible to the pump pressure switch to reduce friction loss and elevation difference between the tank, water supply main, and switch.
3. After installation, be sure the pressure switch is set low enough to shut the pump off. If all valves are closed and the pressure switch setting is too high, the pump will run continuously without water flow causing overheating and damage to the pump.
4. A pressure relief valve must be installed in the piping adjacent to the Well Tank.
5. The following may cause severe damage to tank and/or piping and will void warranty.
 - Failure to protect tank against below-freezing temperatures.
 - Pumping chemicals or corrosive liquids.
 - Pumping gasoline or other flammable liquids.
 - Operation at pressures greater than rated pressure on data plate with no relief valve.
 - Pumping liquids hotter than 120°F.

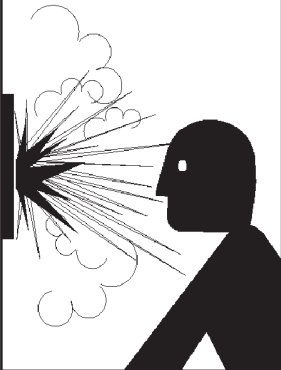
WARNING

Improper installation, adjustment, alteration, service or maintenance can cause DEATH, SERIOUS BODILY INJURY, OR PROPERTY DAMAGE. Refer to this manual for further assistance.

WARNING

Explosion Hazard

- Over-pressurized water can cause water tank to explode.
- Properly sized pressure relief valve must be installed in piping adjacent to pump tank.
- Failure to follow these instructions could result in death or serious injury.



This Well Tank is designed and intended for cold (ambient temperature) water storage at a maximum pressure of 100-150 PSIG, depending on your tank model, any use other than with cold water, or at a sustained or instantaneous pressure in excess of 100-150 PSIG depending on your tank model is UNSAFE. A pressure relief valve of adequate size must be incorporated in the system. The relief valve must be selected to pass the full capacity of the pump when the pressure in this tank is 100 PSIG or more. Consult pump manufacturer for pump capacity at relief pressure. The manufacturer of this tank does not accept any liability or other responsibility for personal injury or property damage resulting from improper use, installation, or operation of this tank, or of the system of which it is a part.

WARNING

Failure to follow these instructions can cause the tank to explode and result in DEATH, SERIOUS BODILY INJURY, OR PROPERTY DAMAGE.

Depending on your tank model, install a 150 P.S.I. or less pressure relief valve directly into a fitting of the plumbing. Position the valve downward and provide piping so that any discharge will exit only within 6 inches above, or at any distance below the structural floor. Be certain that no contact is made with any live electrical part. The discharge opening must not be blocked or reduced in size under any circumstances. Excessive length, over 15 feet, or in use of more than two elbows can cause restriction and reduce the discharge capacity of the valve.

No valve or other obstruction is to be placed between the relief valve and the tank nor in the discharge line. Do not connect piping directly to discharge drain unless a 6" air gap is provided. To prevent bodily injury or hazard to life, the relief valve must be able to discharge large quantities of water should circumstances demand. If the discharge pipe is not connected to a drain or other suitable means, the water flow may cause property damage.

The Discharge Pipe:

- Must not be smaller in size than the outlet pipe size of the valve, or have any reducing couplings or other restrictions.
- Must not be plugged or blocked.
- Must be installed so as to allow complete drainage of both the pressure relief valve, and the discharge pipe.
- Must not have any valve between the relief valve and tank.

WARNING

The complete pump, tank, pressure relief valve, pressure switch and piping system MUST be protected against below freezing temperature. Failure to do so could cause the tank to explode and result in DEATH, SERIOUS BODILY INJURY, OR PROPERTY DAMAGE.

The well tanks are designed for operation on water systems with working pressure not to exceed 100-150 PSIG, depending on your tank model. Pressure exceeding this could become hazardous, and will void any and all guarantees, either written, or implied.

IMPORTANT

It will be necessary to expel all air from piping after new installations, repriming and after pumps have been disassembled for repair. To purge the air, first open a faucet the greatest distance from the pump. With the pump being allowed to run, wait until a steady stream of water is coming from the faucet. At this time, close the faucet for several short intervals.

If, after this, air in the lines still occurs, check on the suction side of the pump for piping leaks.

When standard type tanks are replaced with this tank, all air charging devices, bleeder orifices, and air volume controls must be removed.

The pump tank has been shipped with a factory precharge as indicated on Table 1. If your pump start-up pressure is different from the factory precharge, adjust the tank pressure with the tank empty to your pump start-up pressure. This can be accomplished by simply bleeding air from valve in the top of the tank with an accurate pressure gauge. Using the same standard air charging valve in the top tank, a tire pump can be used to raise the tank pressure. Raise the pressure slowly, checking it periodically with an accurate tire pressure gauge, until the desired pressure is reached.

FEATURES AND OPERATING CYCLES

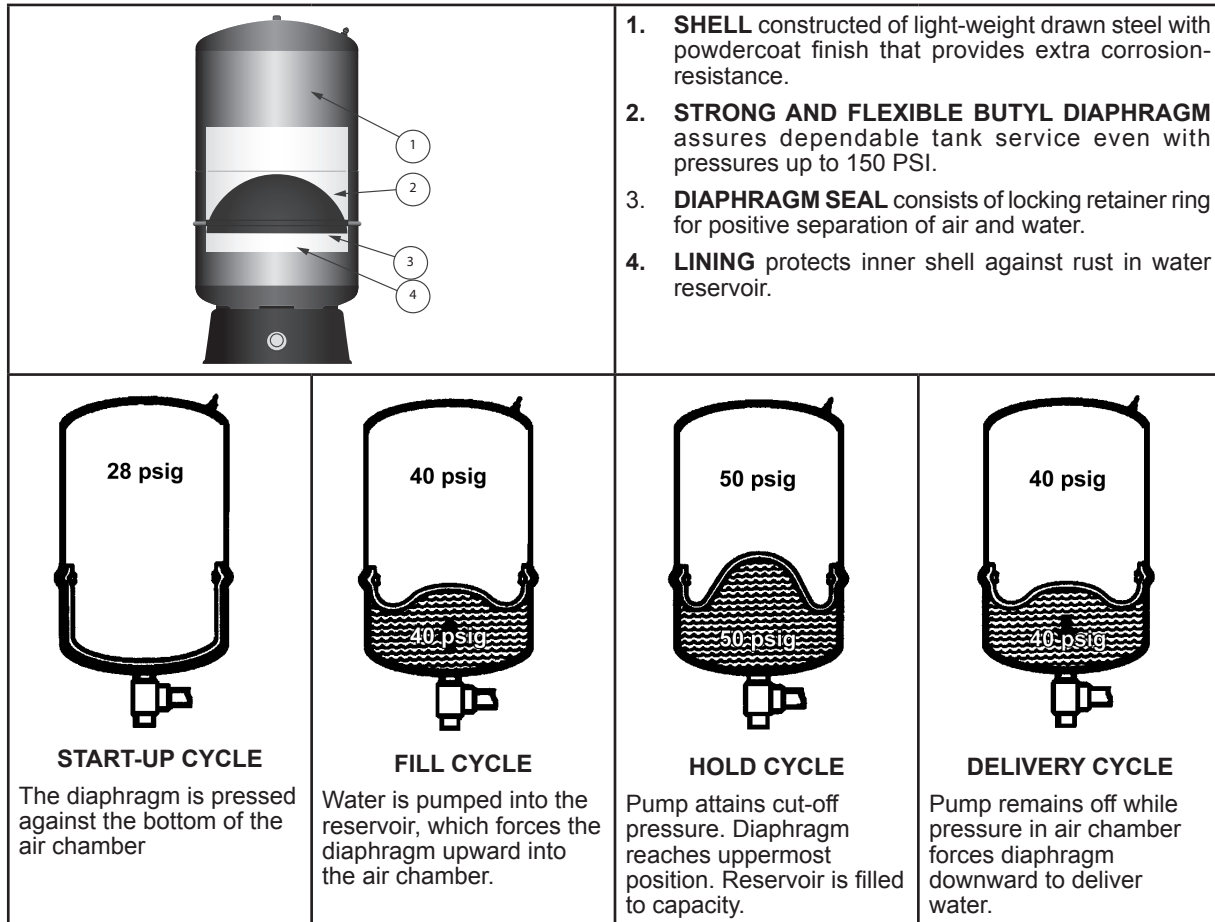


Figure 1. Example of How a 30-50 PSI System Works

TANK SPECIFICATIONS

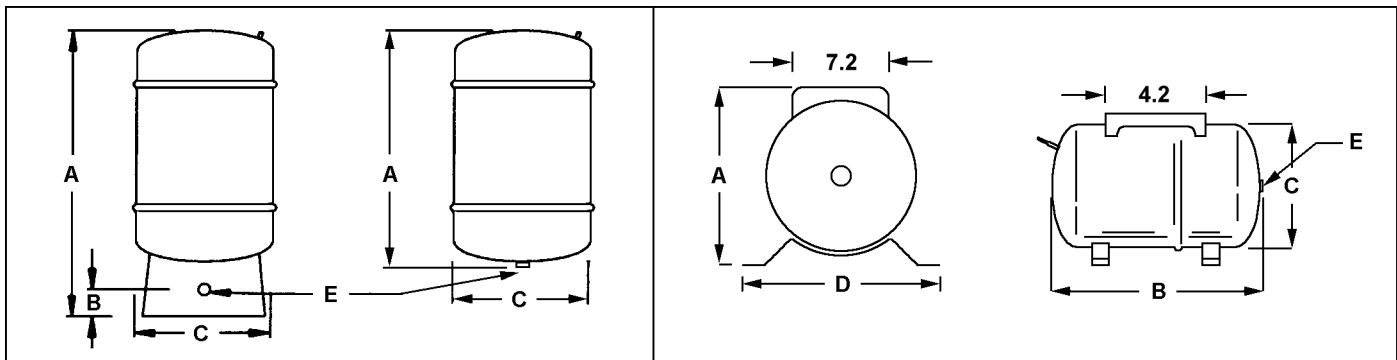


Figure 2. Rough-In Dimensions

Table 1. Rough-In Dimensions									
Capacidad en galones	Disminución en galones			Dimensiones en centímetros				Conexión de descarga	Peso en kilos
	20 a 40 PSI	30 a 50 PSI	40 a 60 PSI	A	B	C	D	E	
(In-Line)									
2	0.7	0.6	---	10-3/16	---	8-1/4	---	3/4 NPTM	5.0
5	1.6	1.4	---	14-3/4	---	11	---	3/4 NPTM	9.0
7	2.5	2.1	---	21-1/16	---	11	---	3/4 NPTM	14.0
(Free-Standing)									
14	5.2	4.3	3.7	24-3/4	2-1/4	15-3/8	---	1" NPTF	25.5
20	7.4	6.2	5.4	32-3/4	2-1/4	15-3/8	---	1" NPTF	30.0
32	11.5	9.6	8.4	45-1/2	2-1/4	15-3/8	---	1" NPTF	40.0
36	13.3	11.1	9.7	32-3/8	2-1/4	20	---	1" NPTF	45.0
52	19.2	16.1	14	38-5/8	2-1/4	23-3/8	---	1-1/4" NPTF	77.0
65	23.9	20	17.5	46.6	2-1/4	23-3/8	---	1-1/4" NPTF	87.0
86	31.8	26.7	23.2	59	2-1/4	23-3/8	---	1-1/4" NPTF	105.0
96	35.5	29.8	25.9	63-3/8	2-1/4	23-3/8	---	1-1/4" NPTF	111.0
119	44	37	32	61-1/4	2-1/2	26	---	1-1/4" NPTF	165.0
(Horizontal)									
7	2.5	2.1	---	12-7/8	21-1/8	11	12-1/2	3/4 NPTM	16.0
14	5.2	4.3	3.7	17-3/8	21-3/4	15-3/8	12-1/2	1" NPTM	25.5
20	7.4	6.2	5.4	17-3/8	27-1/8	15-3/8	12-1/2	1" NPTM	30.0

PIPING

PVC pipe is shown in the illustrations, but copper or galvanized steel pipe may be used if desired. All piping must be clean and free of all foreign matter. ALL JOINTS AND CONNECTIONS IN THE SYSTEM MUST BE AIRTIGHT. A pin-hole leak will prevent proper operation of system (this is the most common problem). Use thread compound on all threads unless specified otherwise.

DRAINING FOR SERVICING OR FOR WINTER

The system should be drained before it is disconnected for servicing, or if it is inoperative for an extended period of time, or if it is in danger of freezing. To Drain:

- Follow the instructions in your pump installation manual to drain the pump.
- Open tank drain cock to drain tank.
- Drain all piping to a point 3 feet below ground level.

DIAPHRAGM TANK INSTALLATION

GENERAL MATERIALS*

All diaphragm tanks are recommended for clear water applications. Vertical tanks are the most commonly used tanks. However, horizontal tanks and in-line tanks may be used where space is more critical. See Tank Specifications for tank capacity.

- One can PVC cement (read instructions carefully)
- One can thread compound (read instructions carefully)
- One gate valve
- One 1/2" relief valve
- Enough rigid PVC pipe and couplings to reach from pump to pressure tank to service line.
- One male PVC adapter
- One tank cross
- One tank cross
- Two 3/8" plugs
- One 1/2" boiler drain
- One 1/2" street tee

TOOLS NEEDED FOR ALL PUMP INSTALLATIONS

Pipe wrench, crescent wrench, 24-tooth hacksaw, round file or knife.

REMINDER: All joints and connections must be airtight. A single pin-hole leak will prevent the proper operation of the system. Use thread compound on all threaded connections unless specified otherwise.

* list is for 1" piping installation, if you are installing 1-1/4" pipe change sizes accordingly.

TYPICAL SUBMERSIBLE PUMP INSTALLATION

Do the following for a submersible pump installation:

1. Complete pump assembly and electrical connections as specified in pump installation manual. Place tank in desired location and level it.
2. Thread tank tee into pressure tank so that the two 1/4" holes in the tee face upward. Thread street tee into front of tank tee.

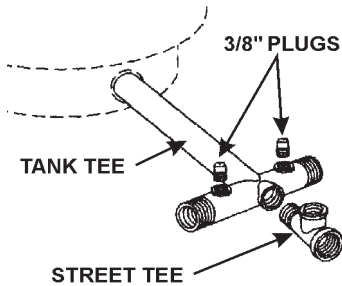


Figure 3. Tank Tee Threaded into Pressure Tank

3. Thread 3/4" male PVC adapter into the inlet side of tank tee.

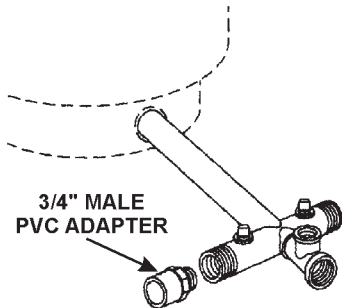


Figure 4. 3/4" Adapter Threaded in Tank Tee

4. Thread pressure relief valve into top of street tee. Thread 1/2" boiler drain into front of street tee. Cut and cement as many sections and couplings of PVC pipe needed to connect 3/4" male PVC adapter to pump discharge.

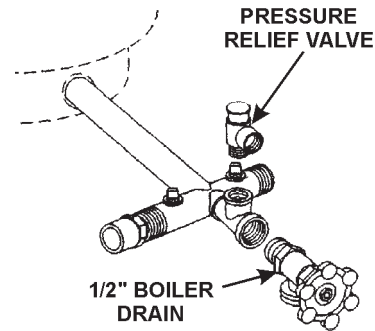


Figure 5. Pressure Relief Valve Threaded into Street Tee

The complete installation should look like Figure 6 shown below:

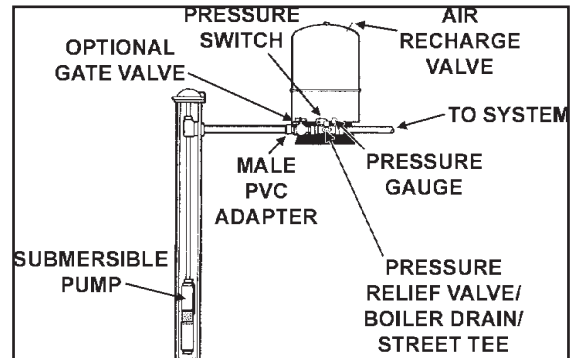


Figure 6. Submersible Pump With Vertical Tank

TYPICAL JET PUMP INSTALLATION

Do the following for a typical jet pump installation:

1. Thread 10" X 1" nipple into pressure tank. Thread tank cross into nipple so that the two 1/4" holes in tank cross face upward. Thread street tee into front of tank cross. Thread pressure relief valve into top of street tee and thread 3/4" boiler drain into front of street tee.

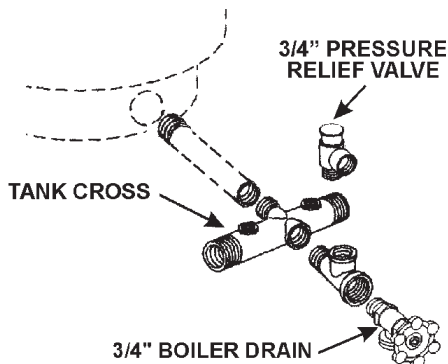


Figure 7. Street Tee Fittings

2. Thread 1" male PVC adapter into the inlet side of tank cross.

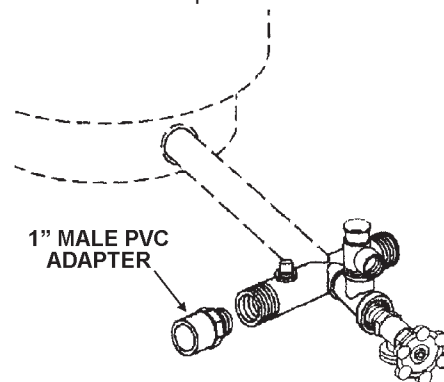


Figure 8. PVC Adapter

- Thread one end of 1/4" X 3" brass nipple into bottom of pressure switch. Thread other end into left 1/4" hole of tank cross. Thread pressure gauge into right 1/4" hole of tank cross. Cut and cement as many sections and couplings of PVC pipe needed to connect the 1" male PVC adapter to pump discharge.

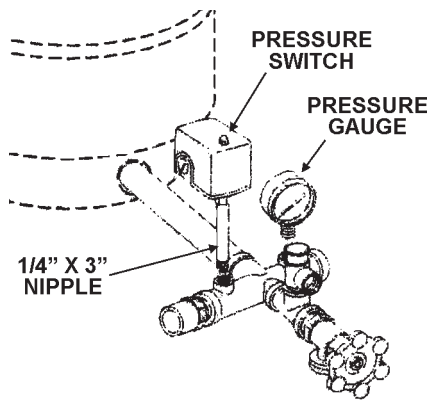


Figure 9. Installed Pressure Switch and Pressure Gauge

The complete installation should look like Figure 10 shown below:

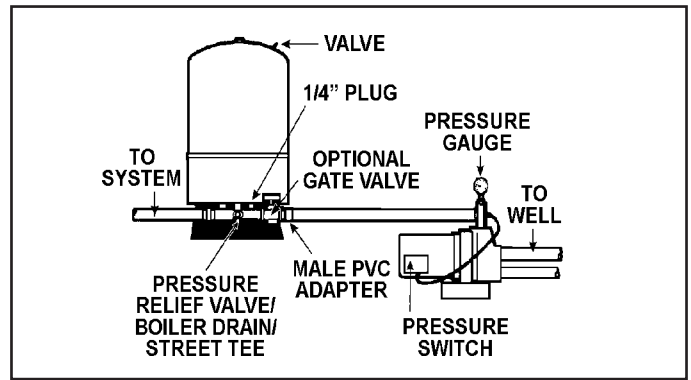


Figure 10. Base Mounted Jet Pump With Vertical Tank

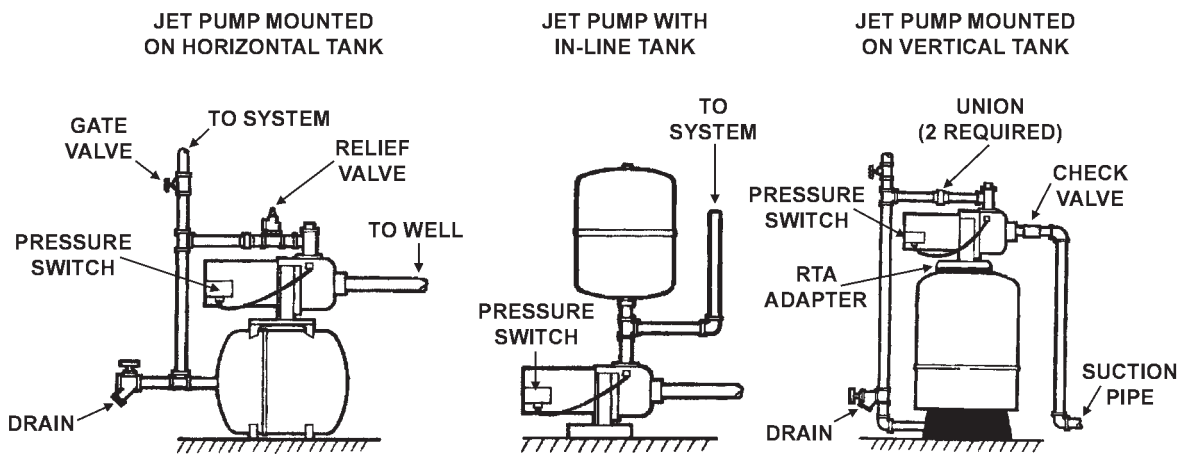


Figure 11. Jet Pump Installations

NOTE: NO PRESSURE RELIEF VALVE SHOWN (but is required) ON JET PUMP WITH IN-LINE DRAWING AND JET PUMP MOUNTED ON VERTICAL TANK DRAWING.

SETTING THE TANK PRESSURE

The tank pressure must be set 2 PSI lower than the pump cut-on pressure. Check tank pressure with a standard air gauge at the top of the tank as needed.

OTHER TANK INSTALLATIONS

Where space is a critical factor, the in-line tank may be used or the pump may be mounted on either the horizontal or vertical tanks. Various installations are shown. Also, to increase tank capacity up to even industrial levels, multiple tanks may be installed on the same line. See Figure 12. Consult your local pump professional for your particular installation.

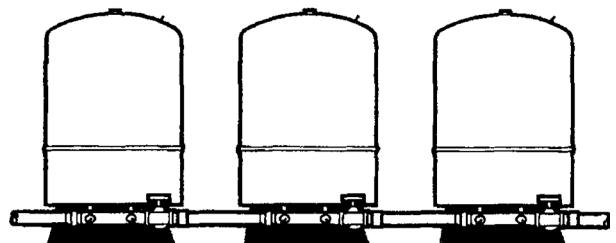


Figure 12. Multi-Tank Installation

WARRANTY

FIVE YEAR LIMITED WARRANTY ON WELL TANKS

The "COMPANY" warrants this Well Tank in case of a leak within five (5) years from the date of purchase or in the absence of a Bill of Sale verifying said date, from the date indicated on the model and rating plate affixed to this tank. In case of a defect, malfunction, or failure to conform to this warranty, the Company will repair or replace this tank. No labor, installation, or freight (if any) charges are included in this warranty. You must pay these costs.

Prior to return of the well tank or part to the manufacturer for inspection, the Company will, if requested, ship a replacement pump tank or part C.O.D. and later provide such reimbursement as subsequent inspection indicates is due under these warranties.

EXCLUSIONS AND LIMITATIONS OF THESE LIMITED WARRANTIES

1. The limited warranties provided herein are in lieu of any and all warranties, expressed or implied, including, but not limited to, implied warranties of merchantability and fitness for a particular purpose; provided, however, that implied warranties are not disclaimed during the five-year period from date of purchase. Some states do not allow limitations on how long an implied warranty lasts, so the above limitation may not apply to you.
2. The company shall have no liability hereunder, either direct or contingent, for incidental or consequential damages. Some states do not allow the exclusion or limitation of incidental or consequential damages, so the above limitation or exclusion may not apply to you.
3. This warranty gives you specific legal rights, and you may also have other rights which vary from state to state.
4. These warranties shall be void and shall have no effect:
 - a. If the design or structure of the tank is, or is attempted to be, modified or altered in any way, including, but not limited to, by attaching non-Company approved appliances or equipment.
 - b. If the tank is not properly installed in accordance with all local ordinances and regulations pertinent to tanks and the installation and instruction manual provided with this tank.
 - c. If the pump tank is installed outdoors. This tank is intended for indoor installation only.
 - d. If the tank is not equipped with new pressure protective equipment required by local codes, but not less than a pressure relief valve certified by a nationally recognized testing laboratory that maintains periodic inspection of production of listed equipment or materials, as meeting the requirements for Relief Valves. This valve must be marked with a maximum set pressure not to exceed the marked hydrostatic working pressure of the tank.
 - e. If the tank is not operated within the factory calibrated limits.
 - f. If leaks in the tank, or defects in other parts, arise as the result of improper use, negligence in operation, accident, or from inability of the tank or any of its parts to function because of repairs, adjustments, or replacements improperly made outside the Company's factory, or because of fire, floods or lightning.
 - g. If the model and rating plate has been defaced or discarded and you do not have a Bill of Sale to verify the purchase date.
 - h. If (1) installed in an area where leakage of the tank or connections would result in damage to the area adjacent to the tank or (2) where such a location is unavoidable, a suitable drain pan is not installed under the tank.
 - i. If the tank is used for any purpose other than a pump tank for potable water well applications.
 - j. If the tank is used with pools, whirlpools, or hot tubs, or with any equipment or system that uses heavily chlorinated or otherwise nonpotable water.
 - k. If leaks in the tank or defects in other parts occur as a result of the tank being exposed to a highly corrosive atmospheric condition.
 - l. If leaks in the tank or defects in other parts occur as a result of the tank containing and/or being operated with desalinated (de ionized) water.
 - m. If leaks in the tank or defects in other parts arise as a result of sizing that does not comply with the manufacturer's currently published sizing guides or sizing recommended by the manufacturer.
 - n. If this pump tank or any part has been under water.
 - o. If a new certified pressure relief valve is not installed and properly maintained.
 - p. If the tank is not installed in the United States, its territories or possessions, and Canada;
5. Replacements and/or repairs furnished under these warranties do not carry a new warranty, only the unexpired portion of the original warranty.
6. The terms of this warranty may not be varied by any person, whether or not purporting to represent or to act on behalf of the Company.
7. In order to obtain service under these warranties you must promptly notify the installing contractor or dealer, giving the nature of the problem and the model and serial number of the tank. If for any reason the installer or dealer cannot be located or fails to provide satisfactory warranty service, you should write the Company with the above information.

8. CLAIM PROCEDURE

Any claim under the warranty should be initiated with the dealer who sold the unit, or with any other dealer handling the warrantor's products. If this is not practicable, the owner should contact:

A. O. Smith
500 Tennessee Waltz Parkway
Ashland City, TN 37015
Phone: 1-800-527-1953
www.hotwater.com

- a. The warrantor will only honor replacement with identical or similar tank which are manufactured or distributed by the warrantor.
- b. Dealer replacements are made subject to in-warranty validation by warrantor.
- c. PROOF-OF-PURCHASE AND PROOF-OF-INSTALLATION DATE ARE REQUIRED TO SUPPORT WARRANTY CLAIM FROM ORIGINAL OWNER. THIS FORM DOES NOT CONSTITUTE PROOF-OF-PURCHASE OR PROOF-OF-INSTALLATION.

9. DISCLAIMERS

NO EXPRESSED WARRANTY HAS BEEN OR WILL BE MADE ON BEHALF OF THE WARRANTOR WITH RESPECT TO THE MERCHANTABILITY OF THE TANK OR THE INSTALLATION, OPERATION, REPAIR OR REPLACEMENT OF THE TANK. THE WARRANTOR SHALL NOT BE RESPONSIBLE FOR WATER DAMAGE, LOSS OF USE OF THE UNIT, INCONVENIENCE, LOSS OR DAMAGE TO PERSONAL PROPERTY, OR OTHER CONSEQUENTIAL DAMAGE. THE WARRANTOR SHALL NOT BE LIABLE BY VIRTUE OF THIS WARRANTY OR OTHERWISE FOR DAMAGE TO ANY PERSONS OR PROPERTY, WHETHER DIRECT OR INDIRECT, AND WHETHER ARISING IN CONTRACT OR IN TORT. Should governmental regulations or industry standards prohibit the Manufacturer from furnishing a comparable model replacement under this warranty, the Owner will be furnished with the closest comparable tank meeting the then current governmental regulations and industry standards. A supplementary fee may be assessed to cover the additional cost associated with the changes made to meet applicable regulations and standards.

IMPORTANT INFORMATION

Model Number _____ Serial Number _____

INSTALLATION INFORMATION

Date Installed _____ Company's Name _____
Street or P.O. Box _____ City, State, and Zip Code _____
Phone Number _____ Plumber's Name _____

GARANTÍA

GARANTÍA LIMITADA DE CINCO AÑOS PARA TANQUES PARA BOMBAS

La "EMPRESA" garantiza este tanque en caso de fugas dentro de cinco (5) años desde la fecha de la compra o en caso de que no exista un contrato de compraventa que certifique dicha fecha, desde la fecha que se indica en la placa de modelo y de la placa de datos que se encuentra anexada al tanque. En caso de defectos, funcionamiento defectuoso o incumplimiento de esta garantía, la Empresa reparará o reemplazará el tanque. En esta garantía no se incluyen cobros por mano de obra, instalación ni transporte (si hubiese alguno). Usted debe pagar estos costos. Antes de devolver el tanque para bombas o alguna pieza al fabricante para su inspección, la Empresa enviará, si lo solicita, un tanque para bombas de reemplazo o alguna pieza, contra reembolso, y luego proporcionará dicho reembolso a medida que la inspección posterior indique que es pagadera bajo estas garantías.

EXCLUSIONES Y LIMITACIONES DE LAS GARANTÍAS LIMITADAS

- Las garantías limitadas que se proporcionan en este documento reemplazan a cualquier y todas las garantías, expresas o implícitas, incluidas, entre otras, las garantías implícitas de comerciabilidad e idoneidad para un fin en particular, con la condición, sin embargo, de que no se renuncie a las garantías implícitas durante un período de cinco años a partir de la fecha de compra. Algunos estados no permiten limitaciones sobre la duración de una garantía implícita, por lo tanto, las limitaciones anteriores pueden o no corresponderle. La empresa no tendrá responsabilidad en virtud de esto, ya sea directa o contingente, por daños indirectos o emergentes. Algunos estados no permiten la exclusión o limitación de los datos indirectos o consecutivos, por lo que es posible que la limitación anterior no le corresponda.
- Esta garantía otorga derechos legales específicos y usted también puede gozar de otros derechos, los que varían en cada estado.
- Estas garantías se anularán y no tendrán efecto en los siguientes casos:
 - Si se intentó modificar, se modificó o se alteró de alguna manera el diseño o la estructura del tanque, incluida, entre otras, la incorporación de artefactos o equipos no aprobados por la Empresa.
 - Si el tanque no se instala de forma adecuada según las ordenanzas y reglamentos locales correspondientes a los tanques y según el manual de instalación e instrucciones que se proporcionan con el tanque.
 - Si el tanque para bombas se instala en el exterior, ya que solo está diseñado para su instalación en interiores.
 - Si el tanque no está equipado con equipos de protección de presión nuevos según lo exigen los códigos locales, aunque esto no puede ser menos que una válvula de presión certificada por un laboratorio de pruebas con reconocimiento nacional y que realice inspecciones periódicas de la producción de los equipos o materiales indicados, cumpliendo con los requisitos para Válvulas de Alivio. Esta válvula debe estar marcada con una temperatura máxima establecida que no exceda la presión hidrostática de trabajo marcada del tanque.
 - Si el tanque no se opera dentro de los límites calibrados en la fábrica.
 - Si aparecen fugas del tanque o los defectos en otras piezas como resultado de un uso incorrecto, negligencia en la operación, accidente o si el tanque o cualquier parte de sus piezas no funcionara debido a reparaciones, ajustes o reemplazos realizados de forma inadecuada fuera de la fábrica de la Empresa o debido a incendios, inundaciones, golpes de rayo.
 - Si el modelo y la placa de datos se retiraron o desecaron y no tiene un contrato de compraventa para verificar la fecha de compra.
 - Si (1) se instala en un área donde las fugas del tanque o las conexiones puedan provocar daños en el área adyacente al tanque, o bien, (2) en donde no se pueda evitar dicha ubicación, si no se instala un depósito de desagüe de desagüe adecuado bajo el tanque.
 - Si el tanque se usa para piscinas, tina de agua o jacuzzis o con cualquier otro equipo o sistema que use agua con un alto contenido de cloro o agua no potable.
 - Si las fugas del tanque o los defectos en otras piezas ocurren como resultado de la exposición del tanque a una condición atmosférica demasiado corrosiva.
 - Si las fugas del tanque o los defectos en otras piezas ocurren como resultado de que el tanque contenga o se opere con agua desalinizada (desionizada).
 - Si las fugas del tanque o los defectos en otras piezas ocurren como resultado de un tamaño que no cumple con las guías de tamaño actualmente publicadas por el fabricante o con el tamaño recomendado por el mismo.
 - Si el tanque para bombas o cualquier pieza han estado bajo el agua.
 - Si no se ha instalado ni se mantiene adecuadamente una válvula de alivio de presión nueva y certificada.
 - Si el tanque no está instalado en los Estados Unidos, sus territorios o posesiones ni en Canadá.
- Los reemplazos o reparaciones entregados bajo estas garantías no tienen una nueva garantía, sólo el periodo no vencido de la garantía original.
- Los términos de esta garantía no los puede modificar ninguna persona, ya sea que afirme representar o actuar en nombre de la Empresa o no. Para obtener mantenimiento conforme a estas garantías debe notificar a la prevenida al contratista que realizó la instalación o al distribuidor, detallando la naturaleza del problema, el modelo y el número de serie del tanque. Si, por algún motivo, no se puede ubicar al instalador o distribuidor, o bien, estos no entregan un servicio de garantía satisfactorio, debe escribir a la Empresa con la información anterior.

PROCEDIMIENTO DE RECLAMO

Todo reclamo amparado por esta garantía se debe iniciar antes el distribuidor que realizó la venta de la unidad o ante cualquier otro distribuidor que responda por los productos del garante. Si esto no es posible, el propietario debe comunicarse con:

A. O. Smith
500 Tennessee Waliz Parkway
Ashland City, TN 37015
Teléfono: 1-800-527-1953
www.hotwater.com

- El garante sólo responderá mediante el reemplazo con un tanque idéntico o similar, fabricado o distribuido por él.
- Los repuestos del distribuidor estarán sujetos a la validación de la garantía por el garante.
- PARA RESPALDAR LA RECLAMACIÓN DE GARANTÍA DEL PROPIETARIO ORIGINAL SE NECESITAN LA PRUEBA DE COMPRA Y LA PRUEBA DE LA FECHA DE INSTALACIÓN. ESTE FORMULARIO NO CONSTITUYE UNA PRUEBA DE COMPRA NI DE INSTALACIÓN.

RENUNCIA A LAS GARANTÍAS

NO SE HA REALIZADO NI SE HARÁ NINGUNA GARANTÍA EXPRESA EN NOMBRE DEL GARANTE EN RELACIÓN CON LA COMERCIALIZACIÓN DEL TANQUE O LA INSTALACIÓN, OPERACIÓN, REPARACIÓN O REEMPLAZO DEL MISMO NI DE SUS PIEZAS. EL GARANTE NO SERÁ RESPONSABLE POR EL DAÑO PROVOCADO POR EL AGUA, PÉRDIDA DEL USO DE LA UNIDAD, MOLESTIAS, PÉRDIDA O DAÑO A LA PROPIEDAD PERSONAL U OTRO DAÑO EMERGENTE. EN VIRTUD DE ESTA GARANTÍA, EL GARANTE NO SERÁ RESPONSABLE POR EL DAÑO A CUALQUIER PERSONA O PROPIEDAD, DIRECTO O INDIRECTO, QUE SURJA POR MOTIVOS DEL CONTRATO O POR ACTOS ILÍCITOS. Si los reglamentos gubernamentales de la industria prohíben que el fabricante entregue un modelo comparable de reemplazo conforme a esta garantía, se le entregará al propietario el tanque comparable más cercano que cumpla con los reglamentos gubernamentales y estándares de la industria actuales. Se puede realizar un cobro adicional para cubrir los costos asociados con los cambios que se realicen para cumplir con los reglamentos y estándares aplicables.

INFORMACIÓN IMPORTANTE

Información de modelo
Número de instalación
Calle o casilla postal
Número telefónico
Nombre de la compañía
Fecha de instalación
Ciudad, estado y código postal
Nombre del fontanero

3. Enrosque un extremo de la boquilla de bronce de 1/4 pulg. X 3 pulg. en la parte inferior del presostato. Enrosque otro extremo en el orificio de 1/4 pulg. izquierdo de la conexión en cruz del tanque. Enrosque el presostato en el orificio de 1/4 pulg. derecho de la conexión en cruz del tanque. Corte y una con cemento las secciones y conexiones de tubería de PVC que sean necesarias para conectar el adaptador macho de PVC de 1 pulg. a la descarga de la bomba.

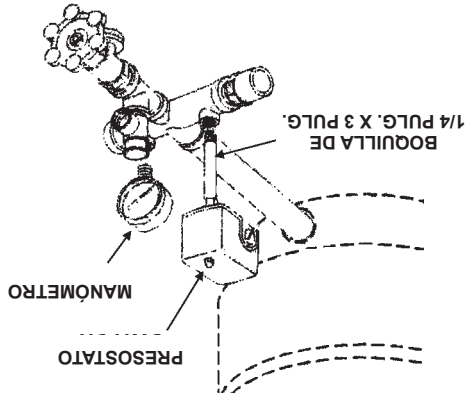
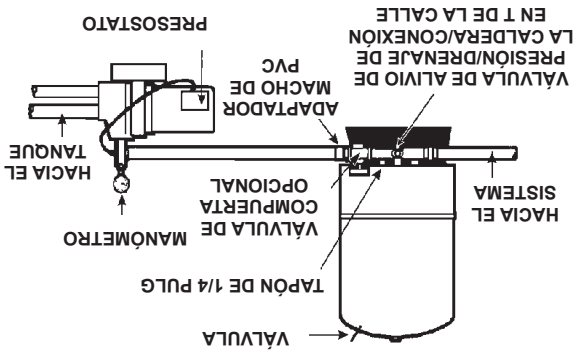
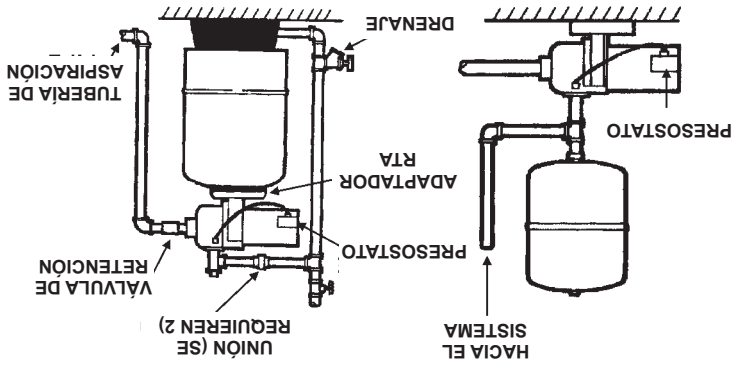


Figura 4. Bomba De Chorro Montada En Base Con Tanque Vertical



La instalación completa debería lucir de un modo similar a lo descrito en la Figura 4 que se muestra abajo.

BOMBA DE CHORRO MONTADA EN TANQUE VERTICAL

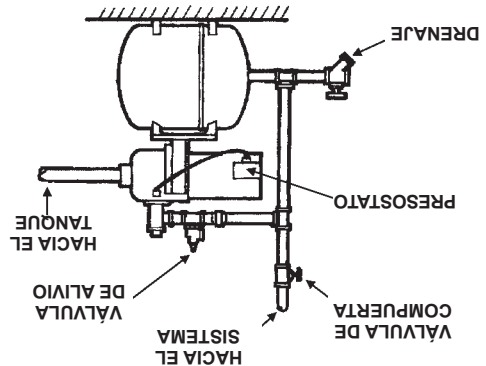


TANQUE EN LINEA BOMBA DE CHORRO CON

Figura 6. Instalaciones de bombas de chorro

Nota: NO SE MUESTRA (pero se requiere) UNA VALVULA DE ALIVIO DE PRESION EN LA BOMBA DE CHORRO EN LOS PLANOS DE LA INSTALACION EN LINEA Y BOMBA DE CHORRO MONTADA EN TANQUE VERTICAL.

BOMBA DE CHORRO MONTADA EN TANQUE HORIZONTAL



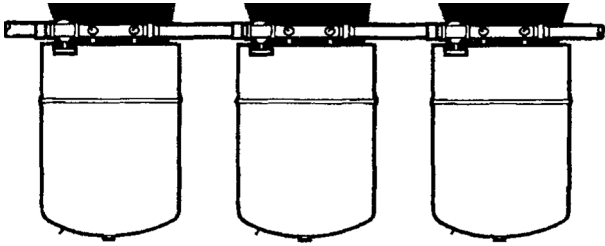
AJUSTE DE LA PRESIÓN DEL TANQUE

La presión del tanque se debe ajustar 2 PSI más baja que la presión de encendido. Revise la presión del tanque con manómetro de aire estándar en la parte superior del tanque, según sea necesario.

INSTALACIONES DE OTROS TANQUES

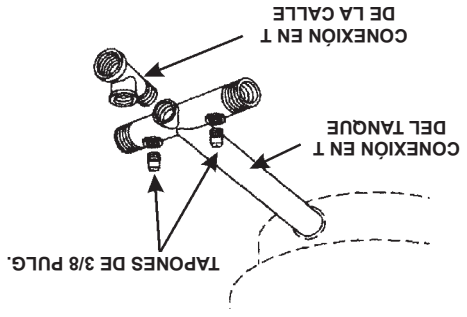
Cuando el espacio es un factor esencial, se puede usar el tanque en línea o se puede montar la bomba en los tanques horizontales o verticales. Se muestran distintas instalaciones. Además, para aumentar la capacidad del tanque incluso a niveles industriales, se pueden instalar múltiples tanques en la misma línea. Consulte la Figura 6. Consulte al profesional local experto en bombas por su instalación particular.

Figura 5. Múltiples Tanques Verticales

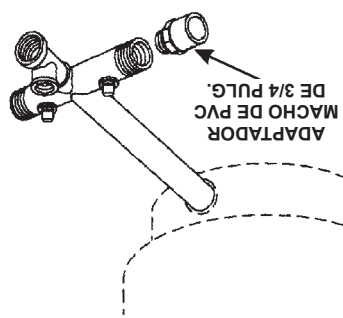


INSTALACIÓN TÍPICA DE LA BOMBA SUMERGIBLE

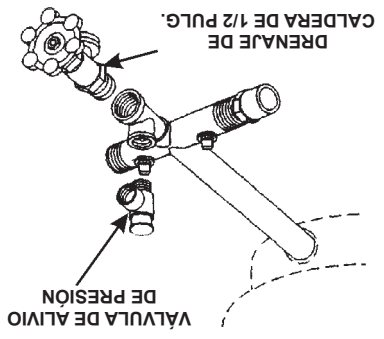
1. Realice el ensamblaje de la bomba y las conexiones eléctricas según se especifica en el manual de instalación de la bomba. Coloque el tanque en la ubicación que desee y nivelelo.
2. Enrosque la conexión en T del tanque en el tanque de presión de manera que los dos orificios de 1/4 pulg. de la conexión queden hacia arriba. Enrosque la conexión en T de la calle en la parte delantera de la conexión en T del tanque.
3. Enrosque el adaptador macho de PVC de 3/4 pulg. en el lado de



3. Enrosque el adaptador macho de PVC de 3/4 pulg. en el lado de



3. Enrosque el adaptador macho de PVC de 3/4 pulg. en el lado de



4. Enrosque la válvula de alivio de presión en la parte superior de la conexión en T de la calle. Enrosque el drenaje de caldera de 1/2 pulg. en la parte delantera de la conexión en T de la calle. Corte y una con cemento las secciones y conexiones de tubería de PVC que sean necesarias para conectar el adaptador macho de PVC de 3/4 pulg. a la descarga de la bomba.

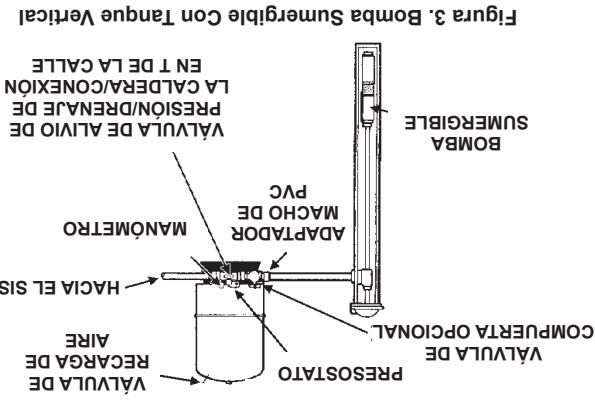
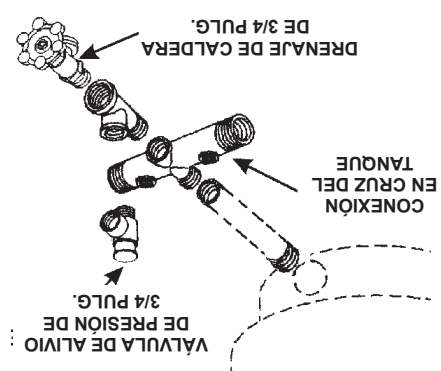


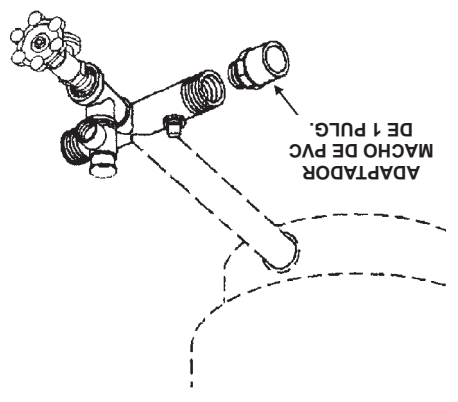
Figura 3. Bomba Sumergible Con Tanque Vertical

INSTALACIÓN TÍPICA DE LA BOMBA DE CHORRO

1. Enrosque la boquilla de 10 pulg. X 1 pulg. en el tanque de presión. Enrosque la conexión en cruz del tanque en la boquilla de manera que los dos orificios de 1/4 pulg. de la conexión queden hacia arriba. Enrosque la conexión en T de la calle en la parte delantera de la conexión en cruz del tanque. Enrosque la válvula de alivio de presión en la parte superior de la conexión en T de la calle y enrosque el drenaje de caldera de 3/4 pulg. en la parte delantera de la conexión en T de la calle.



2. Enrosque el adaptador macho de PVC de 1 pulg. en el lado de



AVISO: Todas las juntas y conexiones deben ser herméticas. Una fuga de microagujero evitará el funcionamiento adecuado del sistema. Use compuesto para rosca en todas las conexiones rosca, a menos que se especifique lo contrario.

* La lista es para instalación de tuberías de 1 pulg., si instala tuberías de 1-1/4 pulg. cambie los tamaños según corresponda.

Llave para tuberías, llave ajustable, sierra de 24 dientes, lima redonda o cuchillo.

- Una válvula de alivio de 1/2 pulg.
- Una válvula de compuerta
- Una lata de compuesto para rosca (lea las instrucciones cuidadosamente)
- Una lata de cemento para PVC (lea las instrucciones cuidadosamente)

HERRAMIENTAS NECESARIAS PARA TODAS LAS INSTALACIONES DE BOMBAS

- Suficiente tubería de PVC rígida y conexiones para alcanzar desde la bomba al tanque de presión para dar mantenimiento a las tuberías.
- Un adaptador macho de PVC
- Una conexión en cruz del tanque
- Dos tapones de 3/8 pulg.
- Un drenaje de caldera de 1/2 pulg.
- Una conexión en T de la calle de 1/2 pulg.

Todos los tanques de diafragma se recomiendan para aplicaciones de limpieza de agua. Los tanques verticales son los tanques más usados. Sin embargo, los tanques horizontales y los tanques en línea se pueden usar donde el espacio es más esencial. Consulte las Especificaciones del tanque para ver la capacidad del tanque.

MATERIALES GENERALES*

INSTALACIÓN DEL TANQUE DE DIAFRAGMA

- El sistema se debe drenar antes de desconectarlo por mantenimiento, o si está sin funcionar durante un período extenso o si corre el riesgo de congelarse. Pasos para drenar:
- Siga las instrucciones que se presentan en el manual de instalación de la bomba para drenarla.
- Abra la llave de vaciado del tanque para drenarlo.
- Drene todas las tuberías a un punto de 0,9 m (3 pies) bajo el nivel del suelo.

En las ilustraciones se muestra la tubería de PVC, pero también se puede usar tubería de cobre o acero galvanizado, si se desea. Todas las tuberías deben estar limpias y libres de materiales extraños. **TODAS LAS JUNTAS Y CONEXIONES EN EL SISTEMA DEBEN SER HERMÉTICAS.** Una fuga de microagujero evitará el funcionamiento adecuado del sistema (este es el problema más común). Use compuesto para rosca en todas las rosca, a menos que se especifique lo contrario.

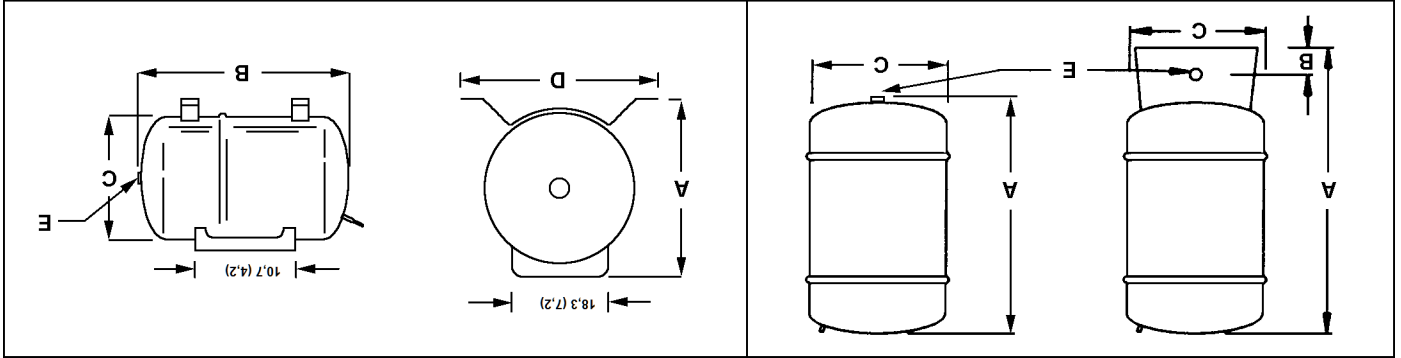
TUBERÍAS

DRENAJE PARA DAR MANTENIMIENTO O PARA LA TEMPORADA INVERNAL

Capacidad en galones		Disminución en galones			Dimensiones en centímetros (pulg.)					Conexión de descarga	Peso en kilos (lb)
		20 a 40 PSI	30 a 50 PSI	40 a 60 PSI	A	B	C	D	E		
(en línea)											
2	0.7	0.6	...	25,9 (10-3/16)	21,0 (8-1/4)	...	3/4 pulg. NPTM	2,3 (5,0)	
5	1.6	1.4	...	37,5 (14-3/4)	27,9 (11)	...	3/4 pulg. NPTM	4,1 (9,0)	
7	2.5	2.1	...	53,5 (21-1/16)	27,9 (11)	...	3/4 pulg. NPTM	6,4 (14,0)	
(Independiente)											
14	5.2	4.3	3.7	62,9 (24-3/4)	5,7 (2-1/4)	39,1 (15-3/8)	1 pulg. NPTF	11,6 (25,5)	
20	7.4	6.2	5.4	83,2 (32-3/4)	5,7 (2-1/4)	39,1 (15-3/8)	1 pulg. NPTF	13,6 (30,0)	
32	11.5	9.6	8.4	115,6 (45-1/2)	5,7 (2-1/4)	39,1 (15-3/8)	1 pulg. NPTF	18,1 (40,0)	
36	13.3	11.1	9.7	82,2 (32-3/8)	5,7 (2-1/4)	50,8 (20)	1 pulg. NPTF	20,4 (45,0)	
52	19.2	16.1	14	98,1 (38-5/8)	5,7 (2-1/4)	59,4 (23-3/8)	1-1/4 pulg. NPTF	34,9 (77,0)	
65	23.9	20	17.5	118,4 (46-5/8)	5,7 (2-1/4)	59,4 (23-3/8)	1-1/4 pulg. NPTF	39,5 (87,0)	
86	31.8	26.7	23.2	149,9 (59)	5,7 (2-1/4)	59,4 (23-3/8)	1-1/4 pulg. NPTF	47,6 (105,0)	
96	35.5	29.8	25.9	161,0 (63-3/8)	5,7 (2-1/4)	59,4 (23-3/8)	1-1/4 pulg. NPTF	50,3 (111,0)	
119	44	37	32	155,6 (61-1/4)	6,4 (2-1/2)	66,0 (26)	1-1/4 pulg. NPTF	74,8 (165,0)	
(Horizontal)											
7	2.5	2.1	...	32,7 (12-7/8)	53,7 (21-1/8)	27,9 (11)	31,8 (12-1/2)	31,8 (12-1/2)	3/4 pulg. NPTM	7,3 (16,0)	
14	5.2	4.3	3.7	44,1 (17-3/8)	55,2 (21-3/4)	39,1 (15-3/8)	31,8 (12-1/2)	31,8 (12-1/2)	1 pulg. NPTM	11,6 (25,5)	
20	7.4	6.2	5.4	44,1 (17-3/8)	68,9 (27-1/8)	39,1 (15-3/8)	31,8 (12-1/2)	31,8 (12-1/2)	1 pulg. NPTM	13,6 (30,0)	

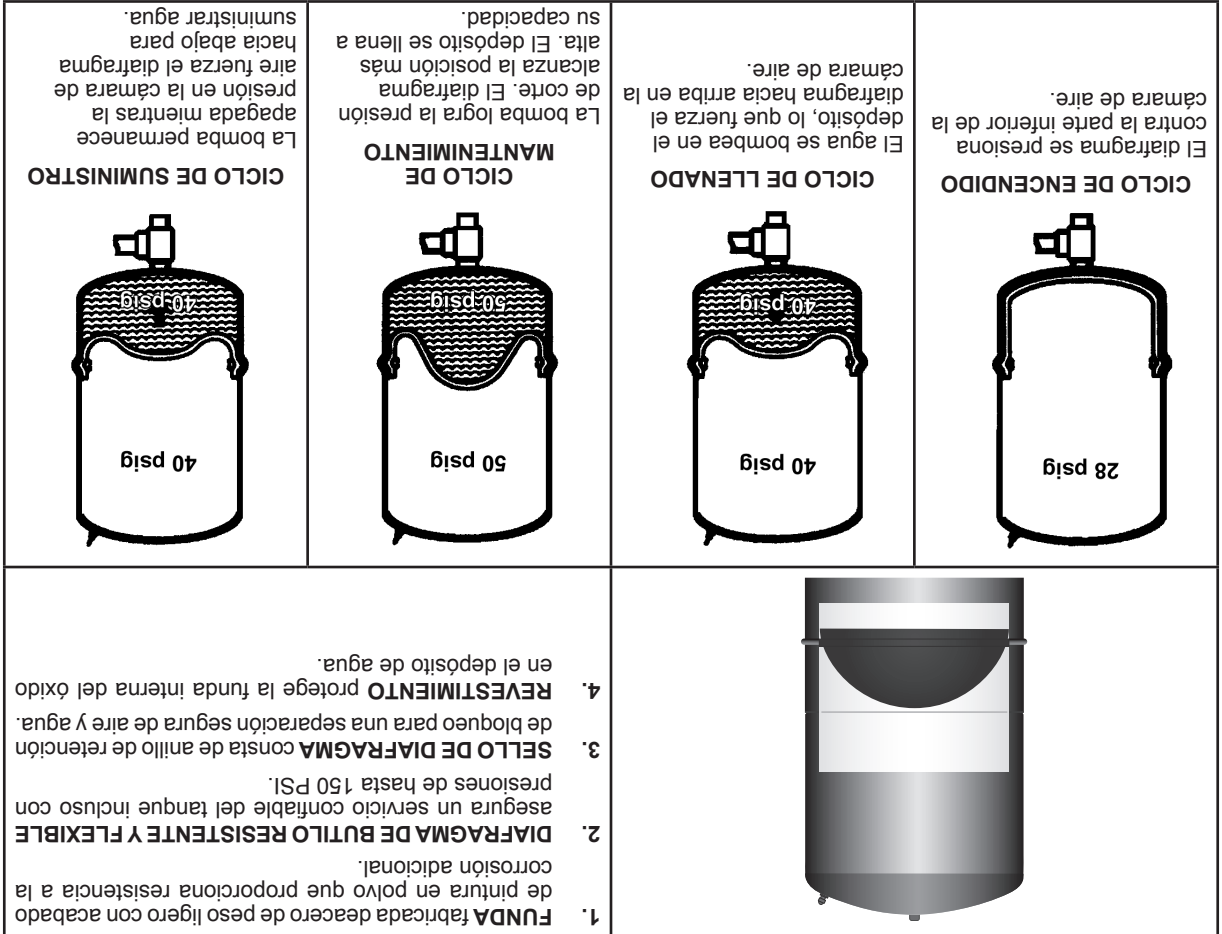
Table 1. Dimensiones aproximadas

Figura 2. Dimensiones aproximadas



ESPECIFICACIONES DEL TANQUE

Figura 1. Ejemplo de cómo funciona un sistema de 30 a 50 PSI



CARACTERÍSTICAS Y CICLOS DE FUNCIONAMIENTO

INSTRUCCIONES IMPORTANTES ANTES DE LA INSTALACIÓN

NO SEGUIR ESTAS INSTRUCCIONES PUEDE PROVOCAR LESIONES FÍSICAS GRAVES Y DAÑOS A LA PROPIEDAD.

ADVERTENCIA

1. Todas las tuberías y cableado eléctrico deben cumplir con los códigos estatales y locales. Consulte con las agencias comunitarias correspondientes o comuníquese con profesionales locales expertos en sistemas eléctricos y bombas.

2. Instale el tanque lo más cerca posible del presostato de la bomba para reducir la pérdida de fricción y la diferencia de elevación entre el tanque, el conducto de suministro de agua y el interruptor.

3. Después de la instalación, asegúrese de que el presostato esté configurado lo suficientemente bajo para apagar la bomba. Si todas las válvulas están cerradas y la configuración de manera presostato es demasiado alta, la bomba funcionará de manera continua sin flujo de agua, lo cual producirá sobrecalentamiento y daños a la bomba.

4. Se debe instalar una válvula de alivio de presión en las tuberías adyacentes al tanque.

5. Las siguientes acciones pueden causar daños graves al tanque o las tuberías y anularán la garantía.

- Bombear líquidos a una temperatura mayor a 49 °C (120 °F).
- Operar a presiones mayores que la presión nominal que aparece en la placa de datos, sin válvula de alivio.
- Bombear gasolina u otros líquidos inflamables.
- Bombear sustancias químicas o líquidos corrosivos.
- No proteger el tanque de las temperaturas bajo el nivel de congelación.

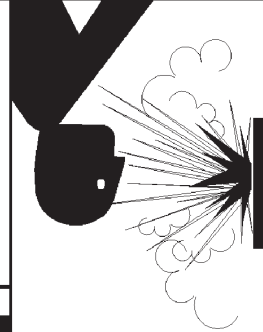
ADVERTENCIA

Instalar, ajustar, alterar, dar servicio o mantenimiento incorrectamente, puede causar la MUERTE, LESIONES FÍSICAS GRAVES O DAÑOS A LA PROPIEDAD. Consulte el manual para obtener más ayuda.

ADVERTENCIA

Peligro de explosión

- El agua demasiado presurizada puede causar una explosión del tanque.
- Se debe instalar una válvula de alivio de presión del tamaño adecuado en las tuberías adyacentes al tanque para bombas.
- Si no sigue estas instrucciones podría sufrir lesiones graves o la muerte.



Este tanque está diseñado para almacenar agua fría (a temperatura ambiente) a una presión máxima de 100-150 PSIG, según el modelo del tanque; cualquier uso que no sea con agua fría o a una presión sostenida o instantánea que exceda los 100-150 PSIG según el modelo del tanque NO ES SEGURO. Se debe incorporar una válvula de alivio de presión de tamaño adecuado en el sistema. La válvula de alivio se debe seleccionar para pasar la capacidad total de la bomba cuando la presión en el tanque es de 100 PSIG o más. Consulte al fabricante de la bomba a la presión de la bomba a la presión de alivio. El fabricante de este tanque no acepta ninguna responsabilidad legal ni de otra naturaleza por lesiones personales o daños a propiedad que resulten del uso, instalación o funcionamiento inadecuado del tanque o del sistema del cual forma parte.

No seguir estas instrucciones puede causar que el tanque explote, lo que puede provocar la MUERTE, LESIONES FÍSICAS GRAVES O DAÑOS A LA PROPIEDAD.

ADVERTENCIA

Según el modelo del tanque, instale una válvula de alivio de presión de 1.25 PSI o menos directamente a un conector de la instalación de agua. Coloque la válvula hacia abajo y ponga tubería de modo que cualquier descarga salga a solo 1.5" (3.8 cm) por sobre el piso estructural o a cualquier distancia por debajo de este. Asegúrese de que no entre en contacto con ninguna parte eléctrica activa. La abertura de descarga no se debe bloquear ni reducir su tamaño bajo ninguna circunstancia. Una longitud excesiva, superior a 4.6 m (15 pies), o el uso de más de dos codos pueden causar una restricción y reducir la capacidad de descarga de la válvula.

No se debe colocar ninguna válvula u otra obstrucción entre la válvula de alivio y el tanque ni en la tubería de descarga. No conecte la tubería directamente al drenaje de descarga, a menos que se proporcione una cámara de aire de 1.5" (3.8 cm) (6 pulg.). Para evitar las lesiones corporales o el peligro de muerte, debe permitir que la válvula de alivio descargue agua en grandes cantidades, si las circunstancias lo requieren. Si la tubería de descarga no se encuentra conectada a un drenaje o a otro medio adecuado, el flujo de agua podría causar daños a la propiedad.

La tubería de descarga:

- no debe ser menor que el tamaño de la tubería de salida de la válvula, ni tener alguna conexión de reducción u otras restricciones;
- no se debe obstruir ni bloquear.
- se debe instalar de manera que permita el drenaje completo, tanto de la válvula de alivio de presión como de la tubería de descarga;
- no debe tener ninguna válvula entre la válvula de alivio y el tanque.

IMPORTANTE

Los tanques están diseñados para su funcionamiento en sistemas de agua con presión de trabajo que no sobrepase las 100 PSIG o 150 PSIG, según el modelo del tanque. La presión que excede este límite puede ser peligrosa, y anulará algunas o todas las garantías, ya sean escritas o implícitas.

Se deberá expulsar todo el aire de las tuberías después de realizar nuevas instalaciones, al volver a cèbar y después de desensambiar las bombas para realizar reparaciones. Para purgar el aire, primero abra una llave a la mayor distancia de la bomba. Permita que la bomba funcione y espere hasta que un flujo estable de agua salga de la llave. En este momento, cierre la llave por varios intervalos cortos. Si, después de esto, sigue habiendo aire en las tuberías, revise si hay fugas en las tuberías en el lado de aspiración de la bomba. Al reemplazar los tanques de tipo estándar con este tanque, se deben quitar todos los dispositivos de carga de aire, orificios de purga y controles de volumen de aire.

El tanque para bombas se envía con una precarga de fábrica según se indica en la Tabla 1. Si la presión de arranque de la bomba es distinta a la de la precarga de fábrica, ajuste la presión del tanque con el tanque vacío a la presión de arranque de la bomba. Esto se logra al purgar el aire de la válvula en la parte superior del tanque con un manómetro preciso. Con la misma válvula de carga de aire estándar en el tanque superior, se puede usar una bomba para neumáticos para aumentar la presión del tanque. Revise periódicamente la presión con un manómetro para neumáticos preciso, para aumentar la presión lentamente hasta alcanzar la deseada.


CONTENIDO





INSTALACIÓN, USO Y MANTENIMIENTO SEGUROS.....	2
INSTRUCCIONES IMPORTANTES ANTES DE LA INSTALACIÓN.....	3
CARACTERÍSTICAS Y CICLOS DE FUNCIONAMIENTO	4
ESPECIFICACIONES DEL TANQUE.....	4
Tuberías.....	5
Drenaje para dar mantenimiento o para la temporada invernal.....	5
INSTALACIÓN DEL TANQUE DE DIAFRAGMA.....	5
Materiales generales*.....	5
Herramientas necesarias para todas las instalaciones de bombas.....	5
INSTALACIÓN TÍPICA DE LA BOMBA SUMERGIBLE.....	6
INSTALACIÓN TÍPICA DE LA BOMBA DE CHORRO.....	6
Ajuste de la presión del tanque.....	7
Instalaciones de otros tanques.....	7
GARANTÍA.....	8

La instalación, el uso y el mantenimiento adecuados del tanque son de suma importancia, tanto para su seguridad como la de los demás.

En el manual y en el tanque para bombas se proporcionan varias instrucciones y mensajes relacionados con la seguridad, para advertirle a usted y a los demás sobre un posible peligro de lesiones. Lea y obedezca todas las instrucciones y mensajes de seguridad en este manual. Es muy importante que usted y las personas que instalen, utilicen o den mantenimiento al tanque para bombas comprendan el significado de los mensajes de seguridad.

INSTALACIÓN, USO Y MANTENIMIENTO SEGUROS

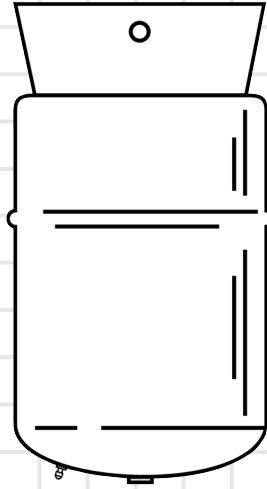
	<p>Este es el símbolo de alerta de seguridad. Se usa para avisarle que existe riesgo de posibles lesiones personales. Respete todos los mensajes de seguridad que tengan este símbolo para evitar sufrir posibles lesiones o la muerte.</p>
--	---

	<p>PELIGRO indica una situación de riesgo inminente que, de no evitarse, podría provocar lesiones o la muerte.</p>
	<p>ADVERTENCIA indica una situación de riesgo potencial que, de no evitarse, podría provocar lesiones o la muerte.</p>
	<p>PRECAUCIÓN indica una situación de riesgo potencial que, de no evitarse, podría provocar lesiones menores o moderadas.</p>
	<p>PRECAUCIÓN, sin el símbolo de alerta de seguridad, indica una situación de riesgo potencial que, de no evitarse, podría provocar daños a la propiedad.</p>

Por lo general, todos los mensajes de seguridad le informarán sobre el tipo de peligro, sobre lo que puede suceder si no sigue el mensaje de seguridad y sobre cómo evitar el riesgo de lesiones.

Manual de instalación TANQUE DE DIAFRAGMA

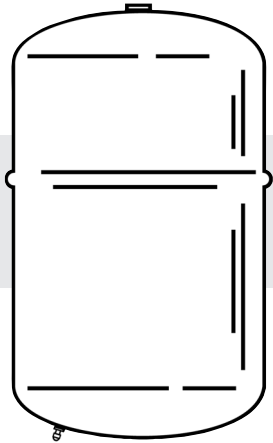
- *Instrucciones de seguridad*
- *Instalación*
- *Garantía*



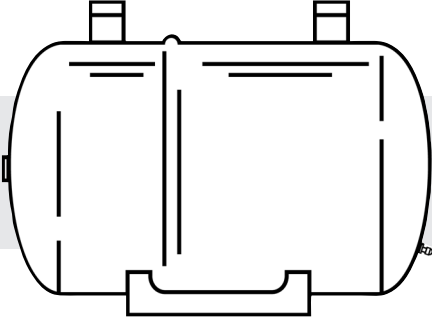
SERIE VERTICAL:
14-20-32-36-52-65-86-96-119 GALONES



Certified to
NSF/ANSI 61-G



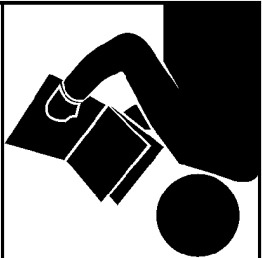
SERIE EN LÍNEA:
2-5 y 7 GALONES



SERIE HORIZONTAL:
7-14 y 20 GALONES

SIN PLOMO: El promedio ponderado de la superficie húmeda de este producto sin plomo en contacto con agua potable, contiene menos de un cuarto de un por ciento de plomo (0,25 %).

ADVERTENCIA



Lea y comprenda el manual de instalación y los mensajes de seguridad antes de instalar, poner en funcionamiento o dar mantenimiento al tanque para bombas.

Si no sigue las instrucciones y los mensajes de seguridad, podría sufrir lesiones graves o la muerte.

GUARDE ESTE MANUAL PARA FUTURAS CONSULTAS CADA VEZ QUE SE REQUIERA REALIZAR AJUSTES O DAR MANTENIMIENTO A LA UNIDAD.

Water Systems • 4302 RALEIGH STREET • CHARLOTTE, NC 28213



Preguntas, problemas, partes faltantes? Antes de regresar al punto de venta, llame a nuestro Equipo de Asistencia Técnica al 1800-549-6233, de 7:00 a.m. a 7:00 p.m., CST, de lunes a viernes.