

Cinderella[®]

CINDERELLA GAS

North America

 Made in Norway



Cinderella GAS Installation Manual
Manuel d'installation Cinderella GAS

Languages: English, Français

CONTENTS

Contents	2
1. General section	3
1.1 Introduction	3
1.2 Operating instructions guide	3
1.3 Explanation of symbols	3
1.4 Application according to regulation	3
2. Safety instructions	4
3 Accessories	5
3.1 Supplied Parts	5
4. Measurements specifications	6
5. Before Installation	7
5.1 Select the Location	7
5.2 Planning your ventilation	7
6. Outlet Air	8
6.1 Material specifications for vent-pipes	8
6.2 Connecting the ventilation pipe to the toilet	8
6.3 Pipe sizes	8
6.4 Chimney Cap	8
6.5 Specifications for installing the Cinderella GAS ventilation system	8
6.6 Installing the outlet air pipe through an exterior wall	9
6.7 Guidelines when installing the outlet air pipe	9
7. Inlet Air	10
7.1 Inlet air specifications	10
7.2 Adjustable vent	10
7.3 Ventilation time	10
8. Connecting the Cinderella GAS toilet	11
8.1 Connecting the gas supply	11
8.2 Connecting the DC power	12
9. Finalising the installation	13
9.1 Connecting the toilet	13
9.2 Securing the toilet	13
9.3 Transport safety strap	13
9.4 Verifying installation	13
10. Cinderella Online	14
11. Repairs and Spare parts	15
12. Wire diagram	16
13. Warranty	17

1. GENERAL SECTION

1.1 INTRODUCTION

It is essential to ensure proper ventilation in accordance with the guidelines in this manual to guarantee the functionality of your Cinderella GAS toilet. Improper installation may cause malfunction, wear or odours and will void the warranty. When installing the appliance, the technical and administrative regulations of the country in which the toilet is installed must be adhered to.

1.2 OPERATING INSTRUCTIONS GUIDE

Please read this instruction manual carefully before installation and first use, and store it in a safe place. If you pass on the product to someone else, hand over this instruction manual along with it.

These instructions provide you with the necessary guidance for the proper installation, use and handling of your toilet. Pay particular attention to the safety instructions. Keep these instructions in a safe place so you can refer to them when required.

1.3 EXPLANATION OF SYMBOLS USED IN THIS MANUAL

**WARNING!**

Safety instruction: Failure to observe this instruction could cause fatal or serious injury.

**CAUTION!**

Safety instruction: Failure to observe this instruction could lead to injury.

**NB!**

Failure to observe this instruction could cause material damage and impair the function of the product.

**NOTE!**

Supplementary information for operating the product.

1.4 APPLICATION ACCORDING TO REGULATIONS

This appliance is designed to burn bodily waste products and small sanitary products such as tampons and baby or face wipes. The described Cinderella GAS model is intended for indoor use in residential home, second home, outhouse, site welfare unit, boathouse, pool house and cabin installations.

2. SAFETY INSTRUCTIONS

The manufacturer accepts no liability for damage in the following cases:

- Faulty installation or connection
- Damage to the product resulting from mechanical factors and/or incorrect connection voltage
- Alterations to the product without express permission from the manufacturer
- Use for purposes other than those described in the operating manual



WARNING!

- Do not operate the incineration toilet if it is visibly damaged.
- If the DC power cable for this toilet is damaged, it must be replaced by the manufacturer, customer service or a similarly qualified person in order to prevent safety hazards.
- Never use a naked flame to check the toilet gas connections for any leakage.
- This toilet may only be repaired by qualified personnel, Inadequate repairs may cause serious hazards
- Only use propane gas (not natural gas).
- Only operate the toilet with the pressure shown on the type plate on the back of the toilet.



CAUTION!

- Danger of crushing! Do not place your hand on the hinge or underneath the toilet seat and lid while open, as there is no soft-close function on the lid and seat.
- Do not empty the ash container when hot.
- Before activating, ensure that the power supply line and plug are dry.



NB!

- During transport, only hold the toilet by the toilet shell. Never hold the toilet by the gas connection, power cord, front cover, lid or seat or exhaust outlet.
- Check that the voltage specification on the type plate is the same as that of the energy supply.
- Only use power cables with a suitable cross section, according to the energy consumption stated on the type plate.
- **Danger of overheating!**
Always ensure sufficient ventilation so that the heat and emissions generated during the incineration can dissipate from the ventilation pipe. Ensure proper air flow for the system. Always ensure sufficient ventilation into the room where the toilet is installed. Make sure that the toilet is sufficiently far away from walls or other objects so that the air can circulate.

3. ACCESSORIES

NOTE!

A 3D animated installation tutorial is available at cinderellaeco.com, which includes information on how to:

- Locate the favored position of the toilet
- Install the ventilation pipe
- Install the air vent for proper venting

NB!

3D animations and other materials on our websites may differ slightly from the specific requirements of some countries or territories. This will ensure that the information provided in this manual will apply and will safeguard any special requirements that apply in your area.

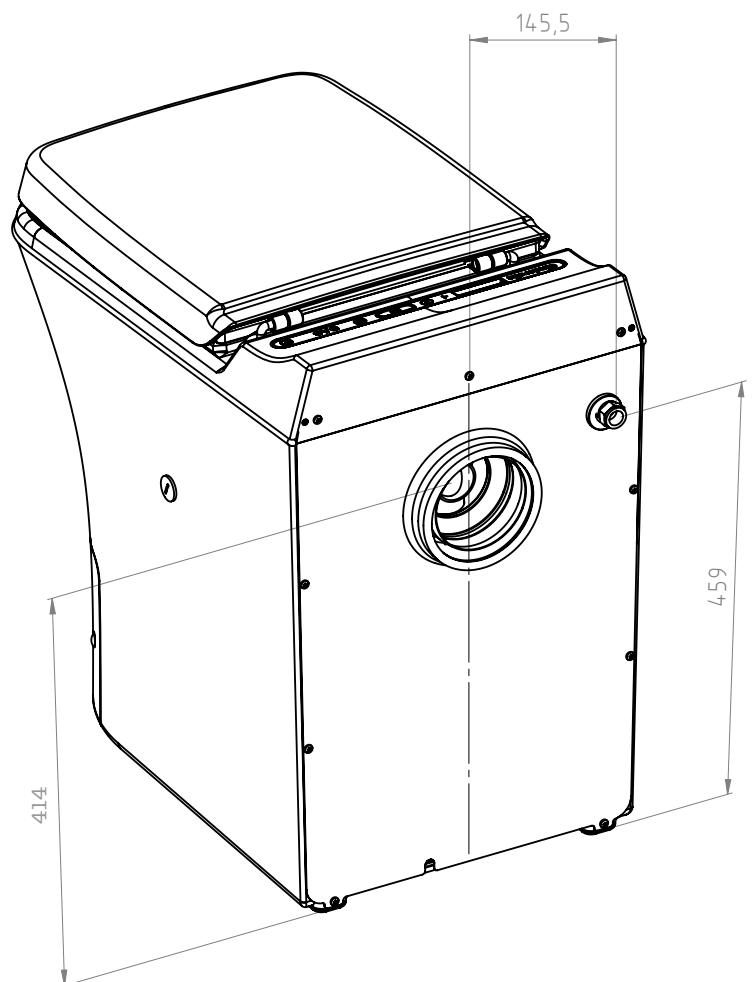
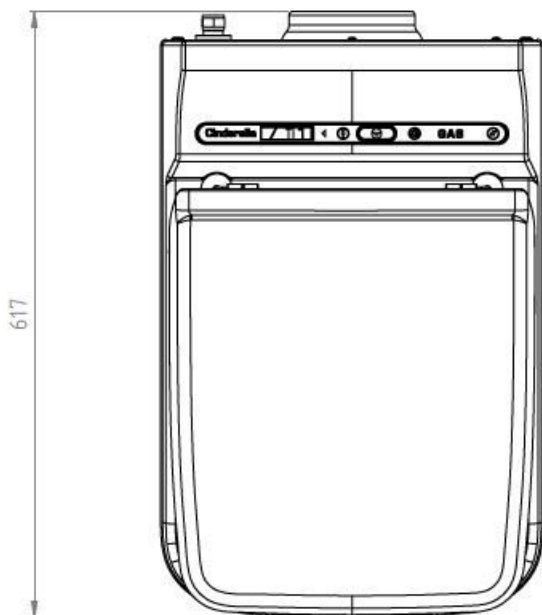
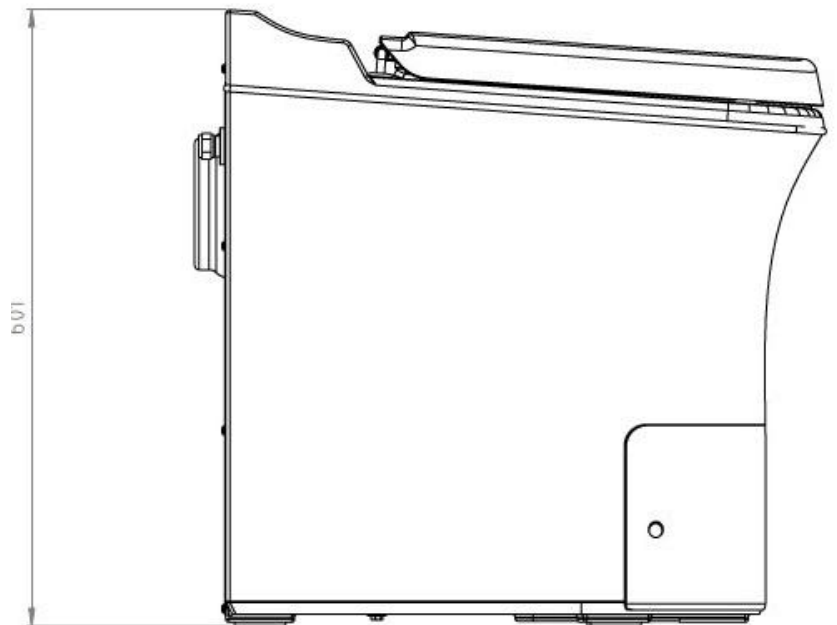
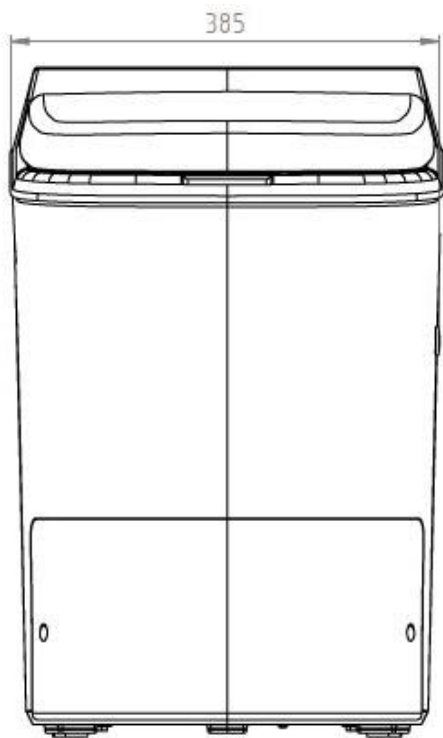
3.1 SUPPLIED PARTS

1. Cinderella GAS Incineration Toilet	1 pc.
2. Original paper bags (500 bags)	1 box
3. Chimney Cap	1 pc.
4. 90° elbow 1/2" to 1/2" (NPT)	1 pc.
5. Brass fitting 1/4" to 1/2" (NPT)	1 pc.
6. Inlet air vent	1 pc.
7. Installation manual	1 pc.
8. User manual	1 pc.



4. MEASUREMENT SPECIFICATIONS

	Imperial	Metric
Seated hight	21 1/4"	540 mm
Height	23 5/8"	600 mm
Width	15 3/8"	390 mm
Depth	23 1/4"	590 mm
Ventilation duct/pipe	4 1/16"	110 mm
Weight	75 lbs	34 kg



5. BEFORE INSTALLATION

Before installing your new Cinderella toilet, please make sure you read each section of this installation manual carefully. These instructions provide you with the necessary guidance for the proper installation, use and handling your toilet. Keep these instructions in a safe place so you can refer to them whenever required.



NB!

- We strongly recommend that you do not install the toilet where there is other air dependent equipment that could adversely affect the system, such as extraction fans, ventilators or open fire sources. If other air-dependent equipment is located in the same area as the toilet, ensure that it is not operated at the same time as the incineration toilet.
- Before cutting any holes, always check that you will not cut any electrical wiring or water pipes.



NOTE!

- The toilet must be placed on a firm and level base.
- Your Cinderella GAS incineration toilet can be installed on a heated floor.

5.1 SELECT THE LOCATION

When planning to place the toilet, it is often useful to consider the free space around the toilet. Make sure you have enough space to both operate the toilet and sit properly.

Ensure that the gas and electrical specifications are designed for the area where you want to install the toilet. Please see the gas and electrical specifications on page 11-12.

Ensure that the desired position of the toilet will not conflict with any other existing installations such as water pipes, ventilation pipes, electrical installations etc.



5.2 PLANNING YOUR VENTILATION

Planning and setting up the ventilation is an important part of the installation of your Cinderella toilet. Proper installation will ensure optimal airflow and will not restrict the pipe flow.

Outlet Air Pipe:

You must install the outlet pipe vertically above the roof without any additional bends. Incorrect installation may cause poor incineration, odours and product wear.

For detailed instructions on how to install the outlet pipe, please thoroughly read the section on how to install the outlet air pipe on pages 8–9.

Inlet Air vent:

The Cinderella GAS toilet is designed to make use of the air supplied into the room. This air is critical for ensuring oxygen for incineration and proper functioning of the system. For detailed instructions on how to install the air inlet vent, please thoroughly read the Inlet air section on page 10.

6. OUTLET AIR



NOTE!

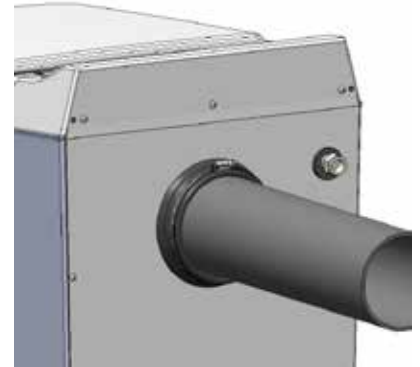
The Cinderella GAS system is required to be vented with with 636-certified pipes and in accordance with the Canadian Gas Code when installed in Canada. Contact your local tradesman for further instructions.

6.1 MATERIAL SPECIFICATIONS FOR VENT PIPES

The toilet must be installed with straight hard pipes with a smooth inner surface, preferably of a 636-rated PP quality, with minimum temperature tolerances from 90° Celsius (194° Fahrenheit). Do not use any flexible ducts or pipes when installing the Cinderella GAS toilet.

6.2 CONNECTING THE VENTILATION PIPE TO THE TOILET

The systems venturi is designed for connecting 110 mm PP quality pipes with an inner diameter of no less than 102 mm (4 inches). The pipe is to enter 35 mm (1 ³/₈ inches) onto the toilet venturi. Do not use excessive force when connecting the pipe, as this may damage the system. The ventilation must be attached to the appliance by fastening the gear clamp around the gasket and pipe. Ensure that the pipe is firmly connected to the appliance before tightening the gear clamp.



6.3 PIPE SIZES

To ensure proper airflow we recommend you install the system with 110 mm pipes with a minimum inner diameter of 102 mm (4 inches), it`s an absolute requirement to use pipes with inner diameter of no less than 95 mm (3 ³/₄ inches) when installing the Cinderella GAS incineration toilet to ensure proper air flow and system functionality.

6.4 CHIMNEY CAP

You must install a chimney cap on top of the outlet pipe for your Cinderella GAS appliance. We recommend that you use the supplied chimney cap when installing your system. If you need to use another chimney cap, make sure you consult your nearest Cinderella dealer. Too much restriction in the chimney cap could cause the system to malfunction.



NB!

The Cinderella GAS toilet must have its own outlet air pipe and it is not permitted to install Cinderella GAS ventilation with the use of the following:

- Wind fan or similar as a replacement for the chimney cap
- Flexible ducts or pipes.
- Pipes with inner diameter less than 95 mm (3 ³/₄”).
- Bends in addition to the T-bend.
- Never use a fine mesh net in the ventilation pipe as this might restrict the airflow in the system.

6.5 SPECIFICATIONS FOR INSTALLING THE CINDERELLA GAS VENTILATION SYSTEM

- Maximum length horizontal pipe: 600 mm (2 ft). **No bends allowed.**
- Maximum length vertical pipe 4,000 mm (13 ft) **No bends allowed.**
- Required operation pressure inside ventilation pipes when installed: -10 to -5 Pa
- Required system airflow per hour 80-90 m³



NOTE!

- Make sure that the installation complies with building regulations. If you are unsure, contact a qualified tradesman.
- The T-bend must be accessible when installed, so that the drainage pipe can be rinsed, and the outlet pipe cleaned.

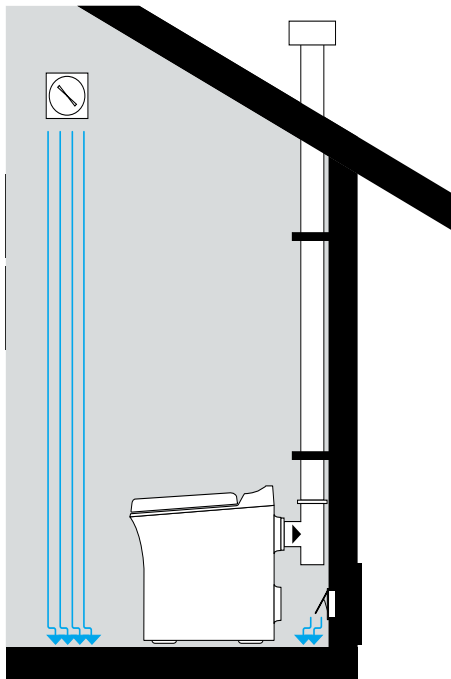
**NB!**

On installation of the appliance, the technical and administrative regulations of the country in which the toilet is installed must be adhered to. We recommend that you contact your local retailer to plan and install your Cinderella GAS appliance.

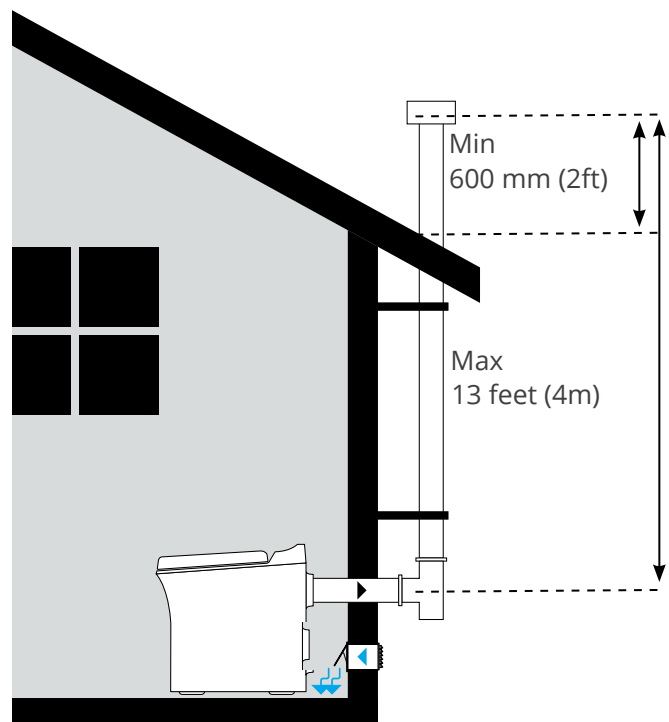
6.6 INSTALLING THE OUTLET AIR PIPE THROUGH AN EXTERIOR WALL

1. In the centre line of the Cinderella's chosen position, make a mark on the wall for the outlet air pipe 414 mm (16 ³/₈ inches) from the floor.
2. Drill a pilot hole with a long drill bit through the wall. Make sure you are holding the drill perpendicular to the floor.
3. Expand the hole to fit the supplied ventilation pipe
4. Install the supplied ventilation adapter and ventilation pipe.
5. Mount a T-bend with smooth curves
6. Mount the vertical pipe and fix it to the wall with wall brackets.
7. Mount the ventilator cowl on top of the pipe.

6.7 GUIDELINES WHEN INSTALLING THE OUTLET AIR PIPE

**NB!**

When installing the ventilation pipes indoors you will have to connect the drain pipe to the T-bend to prevent condensation and rainwater from draining onto the floor. Failure to collect the water may result in the floor being damaged.

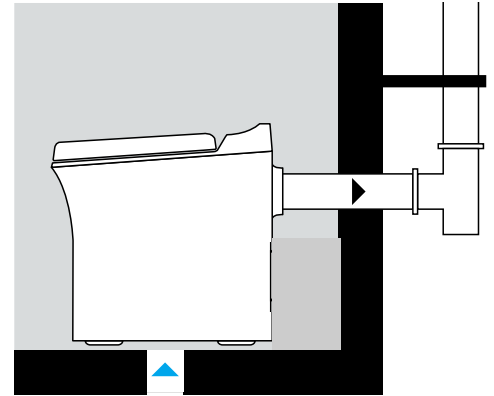
**NB!**

The pipe must be installed vertically above the roof and extend at least 600 mm (2 ft) above the roof surface

Maximum length vertical pipe 13 feet (4 m)
No bends allowed.

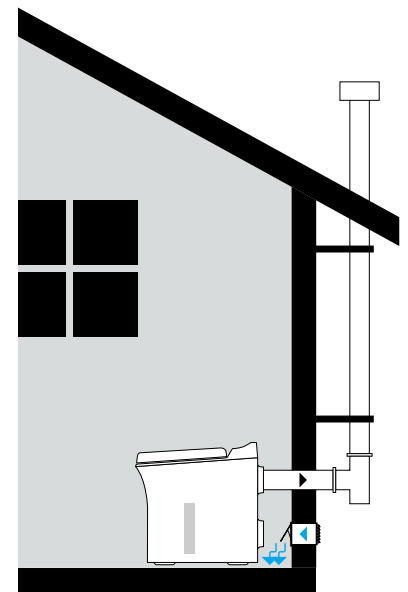
7. INLET AIR

The air inlet vent should preferably be installed as close to the Cinderella toilet as possible, to ensure a good air supply to the toilet and reduce the environmental impact in the toilet room. It is important that there are no other air-dependent installations used at the same time as the toilet, e.g. an extractor fan or fireplace. The Cinderella GAS toilet draws air mainly from the underside of the toilet. It is therefore possible to have the air intake underneath the toilet. This allows you to insulate the air as much as possible in the toilet and minimise the environmental impact in the toilet room.



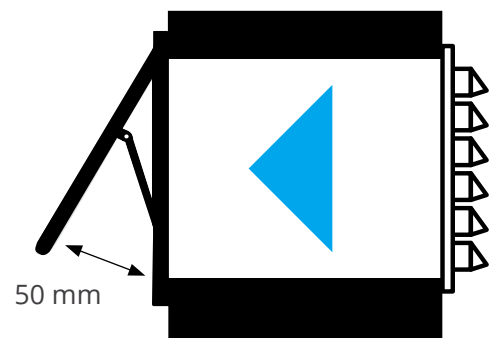
7.1 INLET AIR SPECIFICATIONS

- The inlet vent's minimum dimensions must be 160 mm diameter/ 201 cm². We recommend that you use the supplied vent.
- The vent must be open at all times. Remember to clean the vent at regular intervals.
- Make sure that there is no conflict between the toilet's air supply and other installations, such as a fireplace or extractor fan.
- Do not use a separate ventilation fan or similar to extract air from the room where the toilet is installed when using the Cinderella GAS toilet.
- If you have open ventilation under the toilet, it may be advisable to use a mesh over the hole to keep insects and vermin from entering the toilet. Make sure that the mesh is not too fine as this will impede the air flow.



7.2 ADJUSTABLE VENT

If the installed air vent has an adjustable opening, always make sure to leave the opening at a minimum of 2 inches (50 mm) when operating the toilet.



7.3 VENTILATION TIME

The air inlet vent must always remain open when using the Cinderella toilet.

8. CONNECTING THE CINDERELLA GAS TOILET

8.1 CONNECTING THE GAS SUPPLY



NB!

- This toilet may only be connected to the gas supply by a specialist in accordance with the technical and administrative regulations of the country in which the toilet is installed.
- Only operate the toilet at the pressure shown on the type plate on the back of the toilet.
- Only operate the toilet with the type of gas shown on the type plate on the back of the toilet.
- Use a metal-sealed screw connection when connecting the gas
- Use flexible gas piping to ensure that the installation remains in a tensionless state (not included in the scope of the delivery).
- Have a leak test and a flame test performed by an authorized specialist after professional installation. Ensure you are issued with a certificate of inspection.

	Imperial	Metric
Fuel consumption pr.hour	0.449 (lb/hour)	0,204 (kg/hour)
Inlet gas pressure	8-20 Inches WC	20-50 mbar
Toilet gas connection	1/4" NPT female	
Brass fitting - straight coupling	1/4" x 1/2" NPT	
Brass fitting, 90° elbow female/female	1/2" x 1/2" NPT	



Gas connection :
1/4" NPT female

8.2 CONNECTING THE DC POWER

This appliance must be installed in accordance with National Electrical Codes, as well as all state, municipal and local codes. The correct voltage, frequency and amperage must be supplied to the appliance from a dedicated, grounded circuit which is protected by a properly sized circuit breaker. The proper voltage, frequency and amperage are listed in this manual, and on the product rating plate on the back of the toilet.



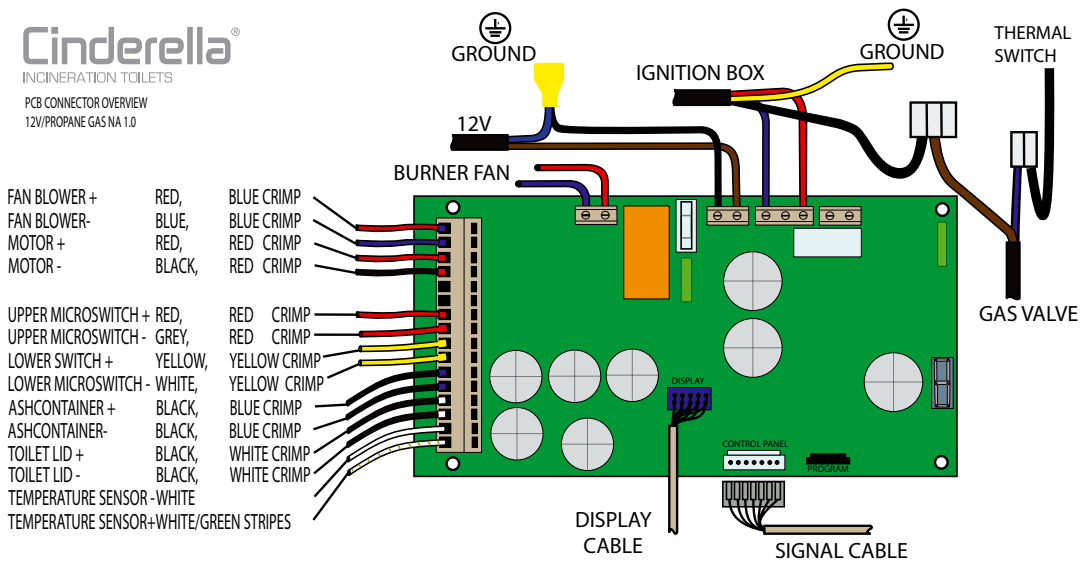
Power requirements	Input	Current
	12V DC (11-14,4V)	4 Amp

Power consumption	Standby	Incinerating
	0,005 Amp	1,3 Amp

- The electrical installation and repairs may only be performed by a specialist in accordance with the applicable regulations and national standards.
- The respective negative and positive cables of the DC connection may not be joined with one another in a camper. This can cause electrical interference and damage to electrical components.
- When connecting the toilet to the mains DC power take the following into consideration:
 - Make sure the cable has sufficient current rating for the expected load in the circuit, including a margin of safety.
 - Make sure the cable cross section is dimensioned for the intended cable run length, and that the cable will not cause the voltage to drop.



- The device plug must be easily accessible so that you can unplug it if required, thereby disconnecting the toilet from the power.
- The connection cable must be laid so that it does not come in contact with sharp edges.
- Changes to the internal electrical installation or the connection cable must be performed by a professional tradesman or a similarly qualified person in order to prevent safety hazards.
- It may be necessary to protect the receptacle with a GFCI. Ensure that all installations are in accordance with national electrical code.



9. FINALISING THE INSTALLATION

9.1 CONNECTING THE TOILET

After you have finished installing the pipes, gently push the toilet onto the outlet pipe. The toilet design allows the pipe to enter 35 mm onto the exhaust outlet before it stops. Do not force the pipe into the toilet, as this may damage the toilet. Attach the ventilation system to the appliance by connecting it to the fasteners on the back of the toilet.

Remember to plug in the 12V DC power supply before use. A green light on the control panel will be lit when power is connected.



9.2 SECURING THE TOILET

In order to secure the Cinderella toilet to the floor:

1. Remove the ash container.
2. Mark the position of the holes on the floor. Remove the toilet.
3. Drill out the holes using an appropriate drill bit depending on the type of floor. Use suitable screws.



9.3 TRANSPORT SAFETY STRAP

The ash container is equipped with a safety strap which must be removed before use:

1. Remove the front cover.
2. Cut away and remove the plastic straps attaching the ash container to the steel frame.

9.4 VERIFYING INSTALLATION

You can perform a simple performance test to ensure the system is functioning properly.

Performance test:

1. Lift the lid and seat – Red light should be lit and the fan starting to blow.
2. Simply insert an Original Cinderella Bowl Liner into the toilet.
3. Add water (1.2 litres) and toilet paper (1 metre)
4. Close the lid and push the start button – The yellow light should be lit. This indicates that the combustion cycle has been activated).
5. The combustion cycle should take from 60–70 minutes before it starts to cool down.
6. Wait until the toilet has cooled down and the fan has stopped (this can take up to 60–90 minutes), check the result in the ash container. You should only see white dust.

If the toilet failed to pass the performance test, please check that all the installation parameters are in accordance with the manufacturer's instructions.



NOTE!

The performance test is designed to be performed when the toilet has not been used. Results may vary when performing this test on used toilets.

10. CINDERELLA ONLINE



CINDERELLA ONLINE - www.cinderellaeco.com

REGISTER YOUR CINDERELLA

After registration you may receive relevant information about our products and available support systems. In the event of theft, registered toilets will be in our manufacturer database.

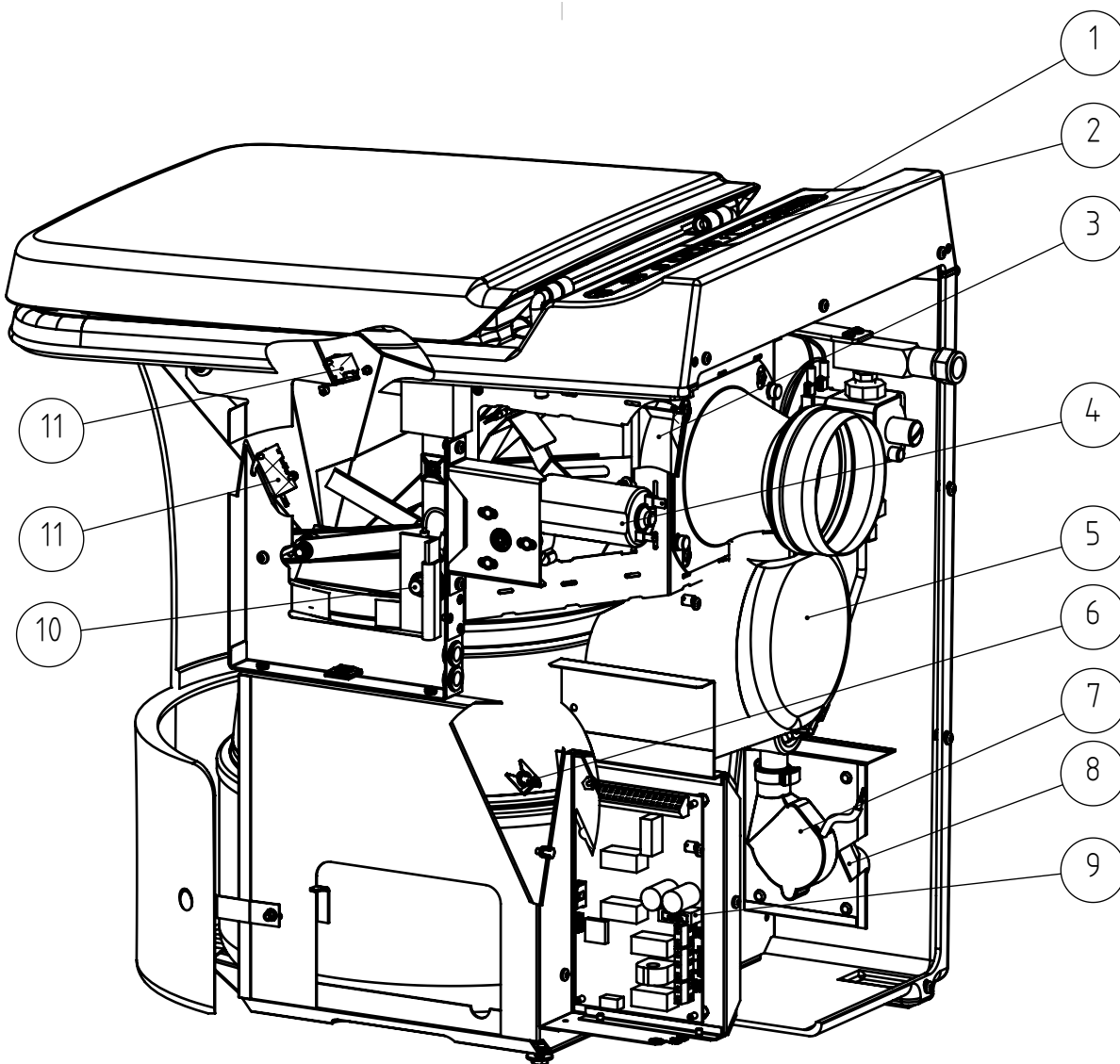
DOWNLOAD DOCUMENTATION

You can download product documentation from our online documentation centre, where you will find owner manuals, service manuals and a Disassembly of Waste Electrical and Electronic Equipment (WEEE) manual.

SERVICE AND SPARE PARTS

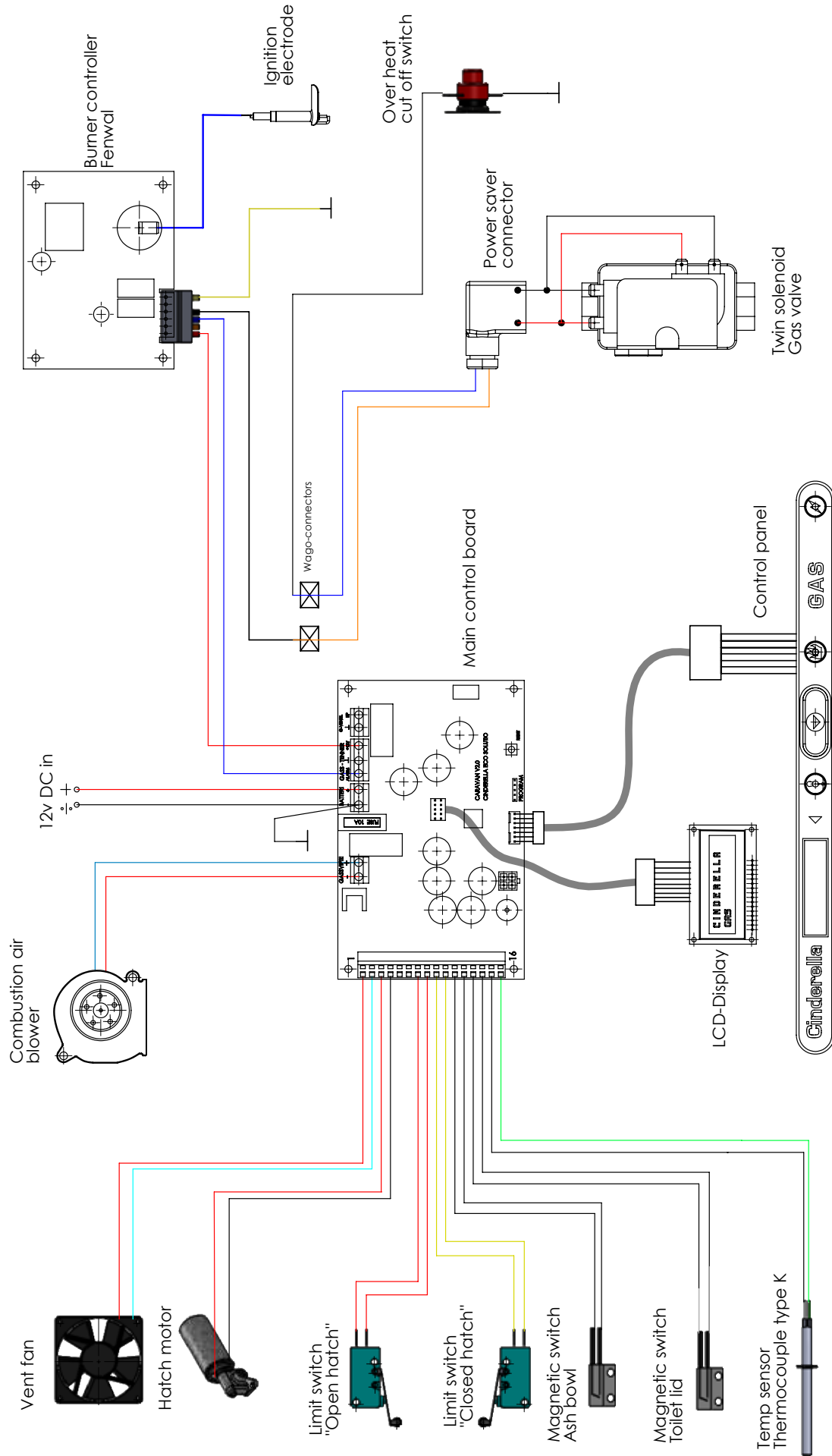
Please visit cinderellaeco.com and choose your country for a list of local dealers where you can obtain service and spare parts.

11. REPAIRS AND SPARE PARTS



Pos. No	Part Description	Article Number
1	Control Panel Gas	100476
2	Display	100401
3	Exhaust fan	100155
4	Hatch Motor	100858
5	Catalytic Converter	100783
6	Thermocouple	100831
7	Burner fan	100542
8	Ignition card	100424
9	Circuit Board Gas	100989
10	Thermal fuse	100117
11	Limit Switch (yellow)	100800
11	Limit Switch (Red)	100857

12. WIRE DIAGRAM CINDERELLA GAS



13. WARRANTY



What does this Warranty cover? This warranty covers defects in materials or workmanship in your Cinderella Incineration Unit on the terms, for the period and subject to the exceptions set out below.

What does this Warranty not cover?

This warranty does not cover normal wear and tear or damage caused by accidents (including fire, floods, hurricanes or Acts of God or nature), abuse, misuse, failure to follow manufacturer directions or improper maintenance. Consequential and incidental damages are not recoverable under this warranty. Some states do not allow the exclusion or limitation of incidental or consequential damages, so the above limitation or exclusion may not apply to you.

How long does the Warranty apply?

This warranty lasts for a period of three (3) years from the original date of purchase.

What will Cinderella Eco Canada Ltd. do?

If you submit a valid claim under this warranty, Cinderella Eco Canada Ltd. will either repair, replace or refund the purchase price of your Cinderella Incineration Unit, at its sole discretion.

How do I arrange a service?

To arrange a service, call Cinderella Eco Canada Ltd. or visit an Authorized Service Provider. Available service options are dependent on the country in which service is requested and may be restricted to the original state in which the sale took place. Call charges and shipping charges may apply, depending on the location.

You may be required to furnish proof of purchase details when making a claim under this warranty. For further warranty information please refer to our web page: www.cinderellaeco.com

How does state law apply?

This warranty gives you specific legal rights, and you may also have other rights which vary from state to state. Please check your local laws.

Cinderella Eco Canada Ltd.
77 City Centre Drive, Suite 501, East Tower
Mississauga, ON L5B 1M5, Canada

For sales, support and service please call (905) 267-3465,
e-mail: support.canada@cinderellaeco.com
or visit www.cinderellaeco.com

CONTENU

Sommaire	18
1. Section Générale	19
1.1 Introduction	19
1.2 Manuel d'utilisation.....	19
1.3 Explication des symboles utilisés dans ce manuel	19
1.4 Application conforme aux réglementations	19
2. Consignes de sécurité	20
3 Accessoires	21
3.1 Pièces fournies	21
4. Mesures	22
5. Avant l'installation	23
5.1 Sélectionnez l'emplacement	23
5.2 Préparation de la ventilation	23
6. installation du tuyau d'évacuation d'air	24
6.1 Matériau pour les tuyaux de ventilation	24
6.2 Branchement du tuyau d'aération aux toilettes	24
6.3 Dimensions des tuyaux	24
6.4 Chapeau de cheminée.....	24
6.5 Spécifications relatives à l'installation du système de ventilation	24
6.6 Installation du tuyau d'évacuation d'air au travers d'un mur externe.....	25
6.7 Installation du tuyau d'évacuation d'air	25
7. installation de la bouche d'aération	26
7.1 Specifications	26
7.2 Bouche réglable.....	26
7.3 Durée d'aération	26
8. Branchement des toilettes Cinderella GAS	27
8.1 Branchement du gaz.....	27
8.2 Branchement alimentation dc.....	28
9. Terminer l'installation	29
9.1 Connexion des toilettes.....	29
9.2 Fixation des toilettes.....	29
9.3 Sangle de sécurité pour le transport	29
9.4 Inspection de l'installation	29
10. Cinderella en ligne	30
11. Réparations et pièces de rechange	31
12. Schéma du câblage des toilettes Cinderella GAS	32
13. Garantie	33

1. SECTION GÉNÉRALE

1.1 INTRODUCTION

Il est essentiel d'assurer une bonne ventilation conformément aux directives de ce manuel afin de garantir le fonctionnement de vos toilettes Cinderella GAS. Une installation incorrecte peut entraîner un dysfonctionnement, une usure ou des odeurs et annulera la garantie. Lors de l'installation, veuillez respecter les réglementations techniques et administratives du pays où les toilettes sont installées.

1.2 MANUEL D'UTILISATION

Veuillez lire soigneusement ce manuel d'instructions avant l'installation et la première utilisation; veuillez le garder dans un endroit sûr. Si vous remettez ce produit à quelqu'un d'autre, veuillez lui donner également le manuel d'instructions.

Ces instructions comprennent les conseils nécessaires à une installation, une utilisation et une manipulation correctes de vos toilettes. Faites particulièrement attention aux consignes de sécurité. Conservez ces instructions dans un endroit sûr pour toute référence ultérieure.

1.3 EXPLICATION DES SYMBOLES UTILISÉS DANS CE MANUEL

**AVERTISSEMENT!**

Instruction de sécurité : Le non-respect de cette consigne peut entraîner une blessure grave ou mortelle.

**AVERTISSEMENT!**

Consigne de sécurité : Le non-respect de cette consigne peut entraîner des blessures.

**AVIS!**

Le non-respect de cette consigne peut entraîner des dommages importants et nuire au fonctionnement du produit.

**REMARQUE!**

Renseignements complémentaires concernant l'utilisation du produit.

1.4 APPLICATION CONFORME AUX RÉGLEMENTATIONS

Ces toilettes sont conçues de manière à incinérer les déchets biologiques et produits sanitaires de petite taille tels que les tampons et les lingettes visage ou pour bébé. Le modèle Cinderella GAS décrit est conçu pour une utilisation intérieure dans les résidences principales ou secondaires, les toilettes extérieures, les chantiers, les péniches, les pool house et cabanes.

2. CONSIGNES DE SÉCURITÉ

Le fabricant ne sera pas tenu responsable de tout endommagement dans les cas suivants :

- Installation ou branchement défectueux
- Endommagement du produit en raison de facteurs mécaniques et/ou d'une tension de raccordement incorrecte.
- Altérations du produit sans l'autorisation expresse du fabricant
- Utilisation à des fins différentes de celles décrites dans le manuel d'utilisation



AVERTISSEMENT!

- N'utilisez pas les toilettes à combustion en cas d'endommagement visible.
- Si le câble d'alimentation DC est endommagé, il doit être remplacé par le fabricant, le service clientèle ou toute autre personne qualifiée pour éviter tout risque pour la sécurité.
- N'utilisez jamais de flamme nue pour vérifier si le branchement gaz de vos toilettes présente des fuites.
- Ces toilettes doivent toujours être réparées par un personnel agréé. Toute réparation incorrecte peut entraîner de graves dangers.
- Utilisez uniquement du gaz propane (et non pas du gaz naturel).
- Utilisez uniquement les toilettes avec la pression indiquée sur la plaque signalétique située à l'arrière des toilettes.



AVERTISSEMENT!

- Risque d'accident par écrasement! Ne placez pas votre main sur la charnière ou sous le siège et l'abattant des toilettes pendant que celui-ci est relevé, car il n'existe aucune fonction de fermeture lente de l'abattant ou du siège.
- Ne videz pas la boîte à cendres lorsqu'elle est chaude.
- Avant la mise sous tension, vérifiez que le câble d'alimentation et la prise sont secs.



AVIS!

- Tenez toujours les toilettes par la cuvette lors du transport. Ne tenez jamais les toilettes par le raccord de gaz, le cordon d'alimentation, le couvercle avant, l'abattant, la lunette ou le tuyau d'échappement.
- Vérifiez que la tension indiquée sur la plaque signalétique est la même que celle de l'alimentation.
- Utilisez uniquement des câbles d'alimentation dont la section est adaptée et conforme à la consommation d'énergie indiquée sur la plaque signalétique.
- **Risque de surchauffe!**
Veillez toujours à ce que la ventilation soit suffisante pour que la chaleur et les émissions générées pendant la combustion puissent s'évaporer du tuyau d'aération. Assurez une bonne circulation d'air dans le système. Veillez à ce que la ventilation soit toujours suffisante dans la pièce des toilettes. Veillez à ce qu'il y ait suffisamment d'espace entre les toilettes et les murs ou autres objets pour que l'air puisse circuler.

3. ACCESSOIRES



REMARQUE!

Un didacticiel 3D d'installation est disponible sur le site cinderellaeco.com; il comprend des renseignements concernant :

- Le placement idéal des toilettes
- L'installation du tuyau d'aération
- L'installation de l'admission d'air pour une aération adéquate



AVIS!

Les animations 3D et autres matériaux disponibles sur nos sites Web peuvent être légèrement différents des exigences spécifiques de certains pays ou territoires. Cela garantira que les renseignements de ce manuel seront applicables ainsi que le respect des exigences de votre région.

3.1 PIÈCES FOURNIES

1. Toilettes à combustion Cinderella GAS	1
2. Sacs en papier originaux (500 sacs)	1 boîte
3. Chapeau de cheminée	1
4. Coude femelle-femelle 90 degrés ½ po à ½ po (NPT)	1
5. Raccord en laiton ¼ po à ½ po (NPT)	1
6. Admission d'air	1
7. Manuel d'installation	1
8. Manuel de l'utilisateur	1



1



2



3



4



5



6



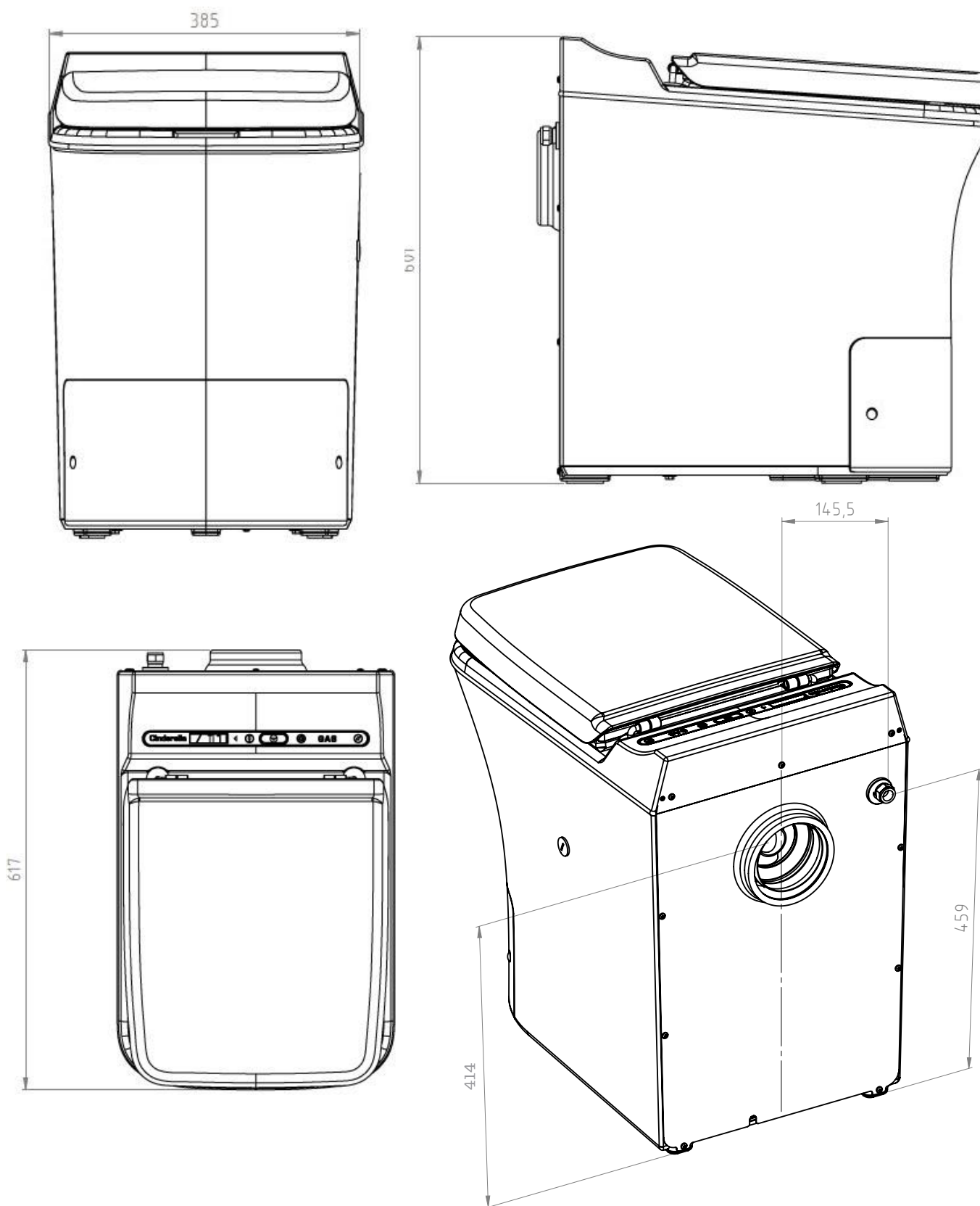
7



8

4. MESURES

	Impérial	Métrique
Hauteur de siège	21¼ po	540 mm
Hauteur	23⅝ po	600 mm
Largeur	15⅜ po	390 mm
Profondeur	23¼ po	590 mm
Conduit/tuyau d'aération	4 ¹ / ₁₆ po	110 mm
Poids	75 livres	34 kg



5. AVANT L'INSTALLATION

Avant d'installer vos nouvelles toilettes Cinderella, veuillez lire soigneusement chaque section du manuel d'installation. Ces instructions comprennent les conseils nécessaires à une installation, une utilisation et une manipulation correctes de vos toilettes. Conservez ces instructions dans un endroit sûr pour toute référence ultérieure.



REMARQUE!

- Nous recommandons vivement de ne pas installer les toilettes dans la même pièce que d'autres équipements dépendants de l'air pouvant nuire au système, par exemple les hottes aspirantes, ventilateurs ou cheminées ouvertes. Si d'autres appareils dépendants de l'air ambiant se trouvent dans le même endroit que les toilettes, veillez à ce qu'ils ne fonctionnent pas en même temps que les toilettes à combustion.
- Avant de percer les trous, assurez-vous de ne pas heurter de fils électriques ou conduites d'eau.



REMARQUE!

Les toilettes doivent être placées sur une surface solide et plane. Vos toilettes à combustion Cinderella GAS peuvent être installées sur un sol chauffé.

5.1 SÉLECTIONNEZ L'EMPLACEMENT

Pour choisir l'emplacement des toilettes, il est souvent utile de tenir compte de l'espace libre autour des toilettes. Veillez à avoir suffisamment d'espace pour faire fonctionner les toilettes et vous asseoir correctement.

Vérifiez que les spécifications électriques et gaz correspondent à celles de la région où vous souhaitez installer les toilettes. Veuillez vous reporter aux spécifications électriques et gaz pages 27-28.

Vérifiez que la position souhaitée des toilettes ne gênera pas d'autres installations existantes, par exemple des conduites d'eau, tuyaux d'aération, installations électriques, etc.



5.2 PRÉPARATION DE LA VENTILATION

La préparation et la mise en place de l'aération font partie intégrante de l'installation de vos toilettes Cinderella. Une installation correcte garantira une circulation d'air optimale et ne gênera pas le flux dans les tuyaux.

Tuyau d'évacuation d'air :

Vous devez installer le tuyau d'évacuation verticalement de façon à ce qu'il sorte par le toit sans courbure supplémentaire. Une installation incorrecte peut entraîner une combustion insuffisante, des odeurs et l'usure du produit.

Pour de plus amples instructions sur l'installation du tuyau d'évacuation, veuillez lire soigneusement la section sur son installation pages 24-25.

Bouche d'admission d'air :

Les toilettes Cinderella à gaz sont conçues de manière à utiliser l'air disponible dans la pièce. Cet air est indispensable pour assurer l'apport d'oxygène nécessaire à la combustion et le fonctionnement correct du système. Pour de plus amples instructions sur l'installation de la bouche d'admission d'air, veuillez lire soigneusement la section sur l'admission page 26.

6. INSTALLATION DU TUYAU D'ÉVACUATION D'AIR

REMARQUE!

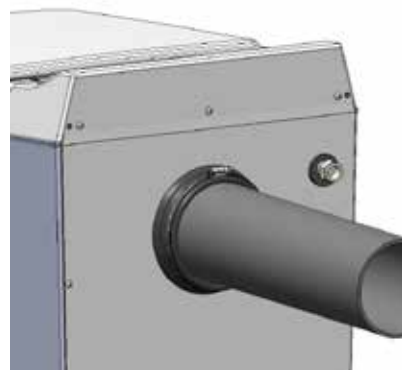
Le système du Cinderella GAS doit être ventilé à l'aide de tuyaux de norme 636 et conformément au Code canadien sur le gaz lors de son installation au Canada. Veuillez contacter votre professionnel local pour de plus amples instructions.

6.1 MATÉRIAU POUR LES TUYAUX DE VENTILATION

Les toilettes doivent être installées à l'aide de tuyaux rigides droits aux parois internes lisses, de préférence de qualité PP 636, avec des tolérances de température minimales de 90° Celsius (194° Fahrenheit). N'utilisez pas de conduites ni de tuyaux flexibles pour installer la toilette Cinderella GAS.

6.2 BRANCHEMENT DU TUYAU D'AÉRATION AUX TOILETTES

Les systèmes Venturi sont conçus pour le branchement de tuyaux de qualité PP de 110 mm et d'un diamètre interne de 102 mm (4 pouces) minimum. Le tuyau doit pénétrer dans le Venturi des toilettes de 35 mm (1 3/8 pouces). Ne forcez pas pour brancher le tuyau afin d'éviter l'endommagement du système. Le tuyau d'aération doit être fixé à l'appareil à l'aide d'une bride placée autour du joint et du tuyau. Vérifiez que le tuyau est fermement raccordé aux toilettes avant de serrer la bride.



6.3 DIMENSIONS DES TUYAUX

Pour assurer une bonne circulation d'air, nous vous recommandons d'utiliser des tuyaux de 110 mm et d'un diamètre interne minimum de 102 mm (4 pouces) dans le système; il est absolument essentiel d'utiliser des tuyaux dont le diamètre interne mesure au minimum 95 mm (3,75 pouces) lors de l'installation des toilettes à combustion Cinderella GAS pour garantir une circulation d'air suffisante et un bon fonctionnement du système.

6.4 CHAPEAU DE CHEMINÉE

Vous devez installer un chapeau de cheminée en haut du tuyau d'évacuation de vos toilettes Cinderella GAS. Nous vous recommandons d'utiliser le chapeau de cheminée fourni lors de l'installation de votre système. Si vous avez besoin d'utiliser un chapeau de cheminée différent, veuillez d'abord communiquer avec votre distributeur Cinderella le plus proche. Trop de restriction dans le chapeau de cheminée empêchera le système de fonctionner correctement.

REMARQUE!

Les toilettes Cinderella GAS doivent être équipées de leur propre tuyau d'évacuation d'air et il est interdit d'utiliser les éléments suivants dans le système de ventilation de Cinderella GAS :

- Ventilateur de cheminée à la place du chapeau de cheminée
- Tuyaux ou conduits flexibles.
- Tuyaux d'un diamètre interne inférieur à 95 mm (3 3/4 pouces).
- Coudes en plus du coude en T.
- N'utilisez jamais de filets à mailles fines dans le tuyau de ventilation pour ne pas restreindre la circulation de l'air dans le système.

6.5 SPÉCIFICATIONS RELATIVES À L'INSTALLATION DU SYSTÈME DE VENTILATION

- Longueur maximale du tuyau horizontal : 600 mm (2 pieds) * aucun coude permis.
- Longueur maximale du tuyau vertical : 4000 mm (13 pieds) * aucun coude permis.
- Pression de travail requise à l'intérieur des tuyaux de ventilation après installation : -10 to -5 Pa
- Circulation d'air requise dans le système par heure 80-90 m³

REMARQUE!

- Vérifiez que l'installation est conforme à la réglementation en matière de construction. En cas d'incertitude, contactez un professionnel qualifié.
- Le coude en T doit être accessible après installation, pour que vous puissiez rincer le tuyau de drainage et nettoyer le tuyau d'évacuation.

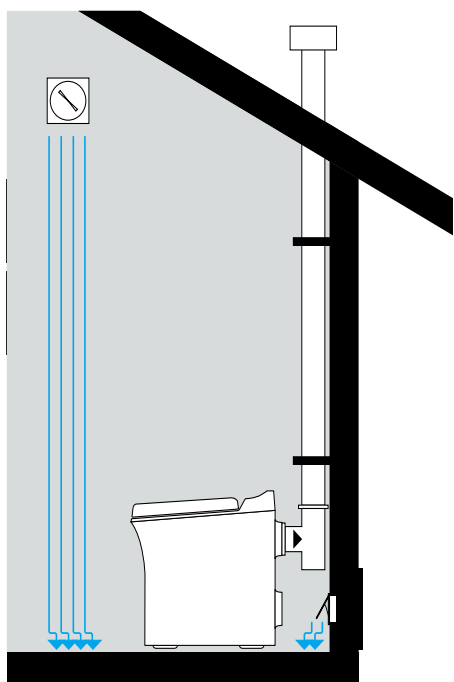
REMARQUE!

Lors de l'installation, veuillez respecter les réglementations techniques et administratives du pays où les toilettes sont installées. Nous vous recommandons de contacter votre distributeur pour organiser l'installation de vos toilettes Cinderella GAS.

6.6 INSTALLATION DU TUYAU D'ÉVACUATION D'AIR AU TRAVERS D'UN MUR EXTERNE

1. Dans la ligne médiane de la position choisie des toilettes Cinderella, faites une marque sur le mur pour le tuyau d'évacuation d'air à 414 mm (16 $\frac{3}{8}$ pouces) du sol.
2. Avec un long foret, percez un trou de guidage à travers le mur. Veillez à bien tenir la perceuse perpendiculaire au sol.
3. Agrandissez le trou à la taille du tuyau d'aération fourni.
4. Installez l'adaptateur d'aération et le tuyau d'aération fournis.
5. Attachez un coude en T aux courbes lisses
6. Fixez le tuyau vertical au mur à l'aide des supports muraux.
7. Mettez la gaine de ventilateur sur le haut du tuyau.

6.7 INSTALLATION DU TUYAU D'ÉVACUATION D'AIR



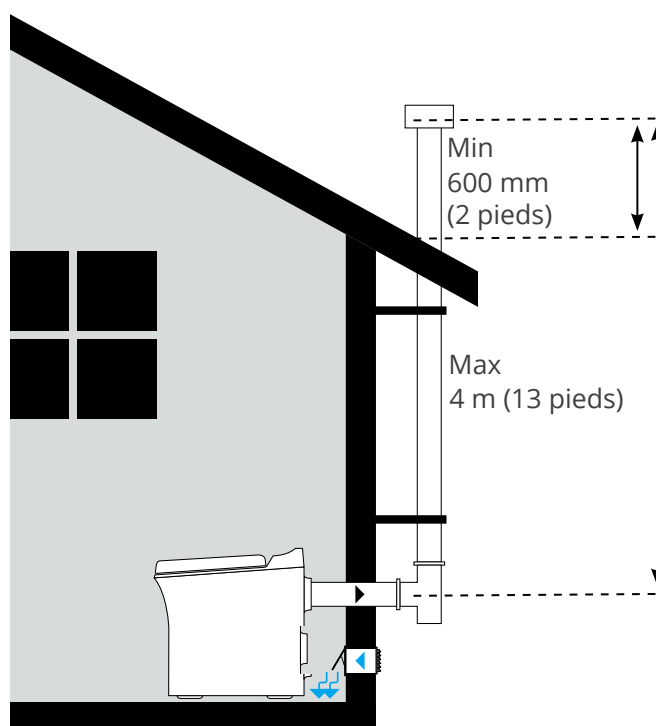
REMARQUE!

Lors de l'installation des tuyaux d'aération à l'intérieur, il vous faudra brancher le tuyau de vidange au coude en T pour empêcher que la condensation et l'eau de pluie ne s'écoulent par terre. Autrement l'eau pourrait endommager le sol.

REMARQUE!

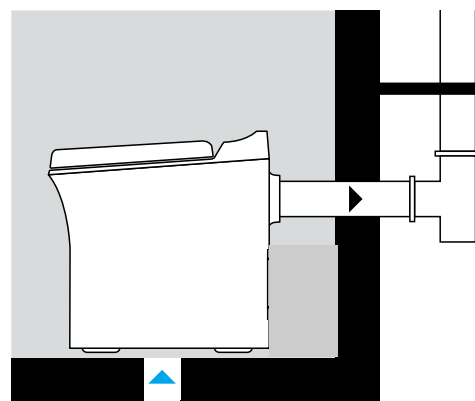
Le tuyau doit être installé à la verticale et dépasser de 600 mm (2 pieds) la surface du toit

Longueur maximale du tuyau vertical 13 pieds (4 m).
Aucun coude permis.



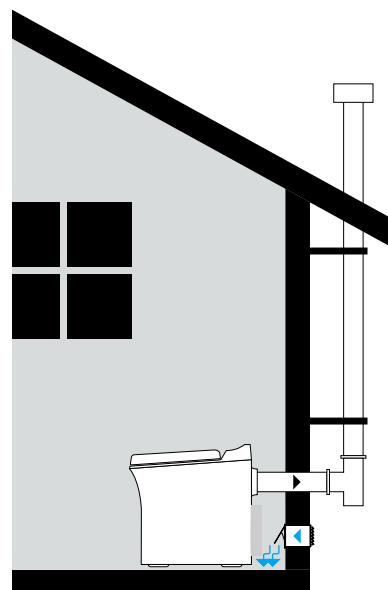
7. INSTALLATION DE LA BOUCHE D'AÉRATION

Le tuyau d'admission d'air doit être de préférence installé aussi près des toilettes Cinderella que possible, pour garantir une alimentation en air adaptée aux toilettes et réduire l'impact sur l'environnement de la pièce. Il est important de n'utiliser aucune autre installation dépendante de l'air ambiant en même temps que les toilettes, par exemple une cheminée ou une hotte aspirante. Les toilettes Cinderella GAS aspirent l'air principalement par le dessous. Il est donc possible de placer l'admission d'air en dessous des toilettes. Cela vous permettra d'isoler l'air le plus possible dans les toilettes et de réduire ainsi l'impact sur l'environnement de la pièce où elles se trouvent.



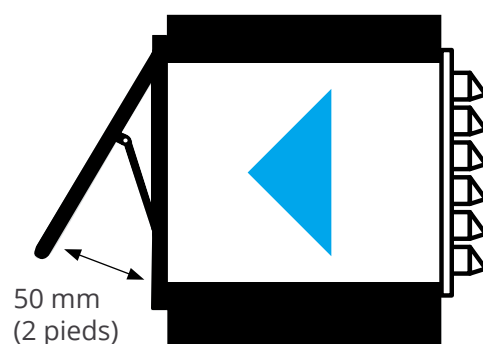
7.1 SPECIFICATIONS

- Les dimensions minimales de l'admission d'air doivent être de 160 mm diamètre/201 cm². Nous vous recommandons d'utiliser la bouche fournie.
- La bouche doit être ouverte en permanence. Assurez-vous de nettoyer la bouche d'aération à intervalles réguliers.
- Veillez à ce qu'il n'existe aucun conflit entre l'alimentation en air des toilettes et celle d'autres installations, par exemple une cheminée ou un ventilateur d'extraction.
- N'utilisez pas de ventilateur séparé pour extraire l'air de la pièce où les toilettes sont installées lorsque vous utilisez les toilettes Cinderella GAS.
- S'il existe une ventilation ouverte sous les toilettes, il est conseillé de placer une moustiquaire sur l'orifice pour tenir à l'écart les insectes et autres indésirables. Vérifiez que les mailles ne sont pas trop fines, car cela pourrait empêcher la circulation de l'air.



7.2 BOUCHE RÉGLABLE

S'il est possible d'ajuster l'ouverture de la bouche d'air installée, n'oubliez pas de la laisser ouverte de 50 mm avant de faire fonctionner les toilettes.



7.3 DURÉE D'AÉRATION

La bouche d'admission d'air doit être toujours être ouverte pendant l'utilisation des toilettes Cinderella.

8. BRANCHEMENT DES TOILETTES CINDERELLA GAS

8.1 BRANCHEMENT DU GAZ

REMARQUE!

- Seul un spécialiste peut effectuer le branchement au gaz de ces toilettes conformément aux réglementations techniques et administratives du pays dans lequel l'installation est effectuée.
- Utilisez les toilettes uniquement à la pression indiquée sur la plaque signalétique située à l'arrière des toilettes.
- Utilisez les toilettes uniquement avec le type de gaz indiqué sur la plaque signalétique située à l'arrière des toilettes.
- Utilisez une connexion à vis à étanchéité métallique lors du branchement au gaz.
- Utilisez des tuyaux flexibles à gaz pour que l'installation ne soit pas soumise aux tensions (non inclus dans les pièces fournies).
- Demandez à un spécialiste d'effectuer un contrôle de fuites et de flammes après l'installation réalisée par un professionnel. Demandez à recevoir un certificat d'inspection.

	Impérial	Métrique
Consommation de carburant par heure	0,449 (livre/heure)	0,204 (kg/heure)
Pression d'alimentation en gaz	8-20 pouces WC	20-50 mbar
Branchement gaz des toilettes	¼ po NPT femelle	
Raccord en laiton	¼ po × ½ po NPT	
Raccord en laiton – coude femelle-femelle	½ po × ½ po NPT	



Branchement au gaz :
¼ pouce NPT femelle

8.2 BRANCHEMENT ALIMENTATION DC

Cet appareil doit être installé conformément aux codes électriques nationaux, provinciaux, municipaux et locaux. La tension, la fréquence et l'intensité correctes doivent être fournies à l'appareil à l'aide d'un circuit dédié, mis à la terre et protégé par un disjoncteur de la puissance appropriée. La tension, la fréquence et l'intensité appropriées sont indiquées dans ce manuel et sur la plaque signalétique du produit, située à l'arrière des toilettes.



REMARQUE!

Alimentation	Entrée	Courant
	12 V DC (11-14,4 V)	4 Amps

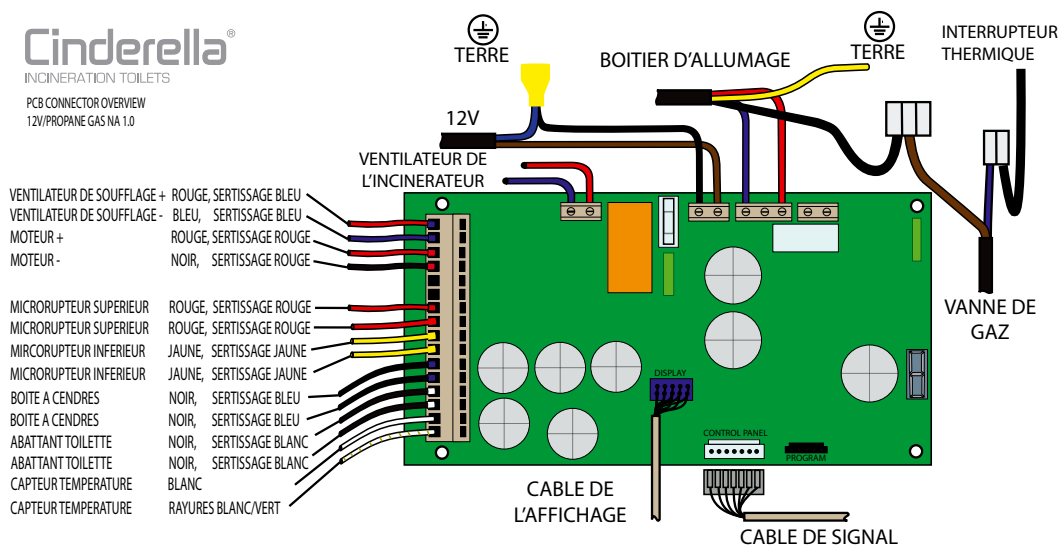
Consommation électrique	Veille	Combustion
	0,005 Amp	1,3 Amp

- L'installation électrique et les réparations doivent toujours être effectuées par un spécialiste conformément aux réglementations applicables et normes nationales.
- Les câbles positif et négatif respectifs du branchement DC ne peuvent être accouplés dans un camping-car, pour éviter toute interférence électrique et endommagement des composants électriques.
- Lors du branchement des toilettes au secteur DC, veuillez tenir compte des facteurs suivants :
 - Vérifiez que l'intensité nominale du câble est suffisante pour la charge prévue dans le circuit, y compris une marge de sécurité.
 - Vérifiez que la section du câble est dimensionnée pour la longueur de câble prévue, et que le câble n'entraînera pas une baisse de tension.



REMARQUE!

- La prise des toilettes doit être facilement accessible pour que vous puissiez les débrancher du secteur si nécessaire.
- Le câble de branchement doit être posé de manière à ne pas entrer en contact avec des bords coupants.
- Toute modification de l'installation électrique interne ou du câble de branchement doit être effectuée par un professionnel ou une personne agréée pour éviter tout danger pour la sécurité.
- Il peut être nécessaire de protéger le récipient à l'aide d'un disjoncteur différentiel de fuite à la terre (DDFT). Vérifiez que toutes les installations sont conformes au code électrique national.



9. TERMINER L'INSTALLATION

9.1 CONNEXION DES TOILETTES

La mise en place des tuyaux terminée, poussez légèrement les toilettes sur le tuyau d'évacuation. Le design des toilettes permet au tuyau de s'enfoncer de 35 mm dans l'orifice d'évacuation avant qu'il ne s'arrête. Ne forcez pas le tuyau dans les toilettes pour éviter de les endommager. Fixez le système d'aération aux toilettes à l'aide des attaches situées à l'arrière des toilettes.

N'oubliez pas de brancher à la prise 12 V CC avant utilisation. Un voyant vert s'allumera au panneau de commande lors du branchement à l'alimentation.



9.2 FIXATION DES TOILETTES

Pour fixer la Cinderella au plancher :

1. Retirez la boîte à cendres.
2. Marquez la position des trous au sol. Retirez les toilettes.
3. Percez les trous avec le foret adapté au type de plancher. Utilisez les vis appropriées.



9.3 SANGLE DE SÉCURITÉ POUR LE TRANSPORT

La boîte à cendres est équipée d'une sangle de sécurité qui doit être retirée avant utilisation :

1. Retirez le couvercle avant.
2. Coupez et retirez les sangles en plastique qui rattachent la boîte à cendres à la structure en acier.

9.4 INSPECTION DE L'INSTALLATION

Vous pouvez effectuer un test simple pour vérifier que le système fonctionne correctement.

Test de performance :

1. Relevez l'abattant et le siège – Le voyant rouge doit être allumé et le ventilateur doit commencer à souffler.
2. Insérez simplement un sac papier original Cinderella dans les toilettes.
3. Ajoutez de l'eau (1,2 litre) et du papier toilette (1 mètre).
4. Rabaissez l'abattant et appuyez sur la Touche Start/Marche – un voyant jaune s'allumera pour indiquer que l'incinération a commencé.
5. L'incinération durera environ 60–70 minutes puis les toilettes refroidiront.
6. Attendez que les toilettes soient refroidies et que le ventilateur se soit arrêté (environ 60–90 minutes), puis vérifiez le résultat dans la boîte à cendres. Elle devrait contenir uniquement des cendres blanches.

Si les toilettes ne satisfont pas le test de performance, veuillez vérifier que tous les paramètres d'installation sont conformes aux instructions du fabricant.

REMARQUE!

Le test de performance doit être effectué lorsque les toilettes n'ont pas encore été utilisées. Les résultats peuvent varier lorsque ce test est effectué sur des toilettes qui ont déjà été utilisées.

10. CINDERELLA EN LIGNE



CINDERELLA EN LIGNE - www.cinderellaeco.com

ENREGISTRER VOTRE CINDERELLA

Vous recevrez peut-être des renseignements pertinents concernant nos produits et systèmes de soutien disponibles après son enregistrement. En cas de vol, les toilettes enregistrées seront dans notre base de données du fabricant.

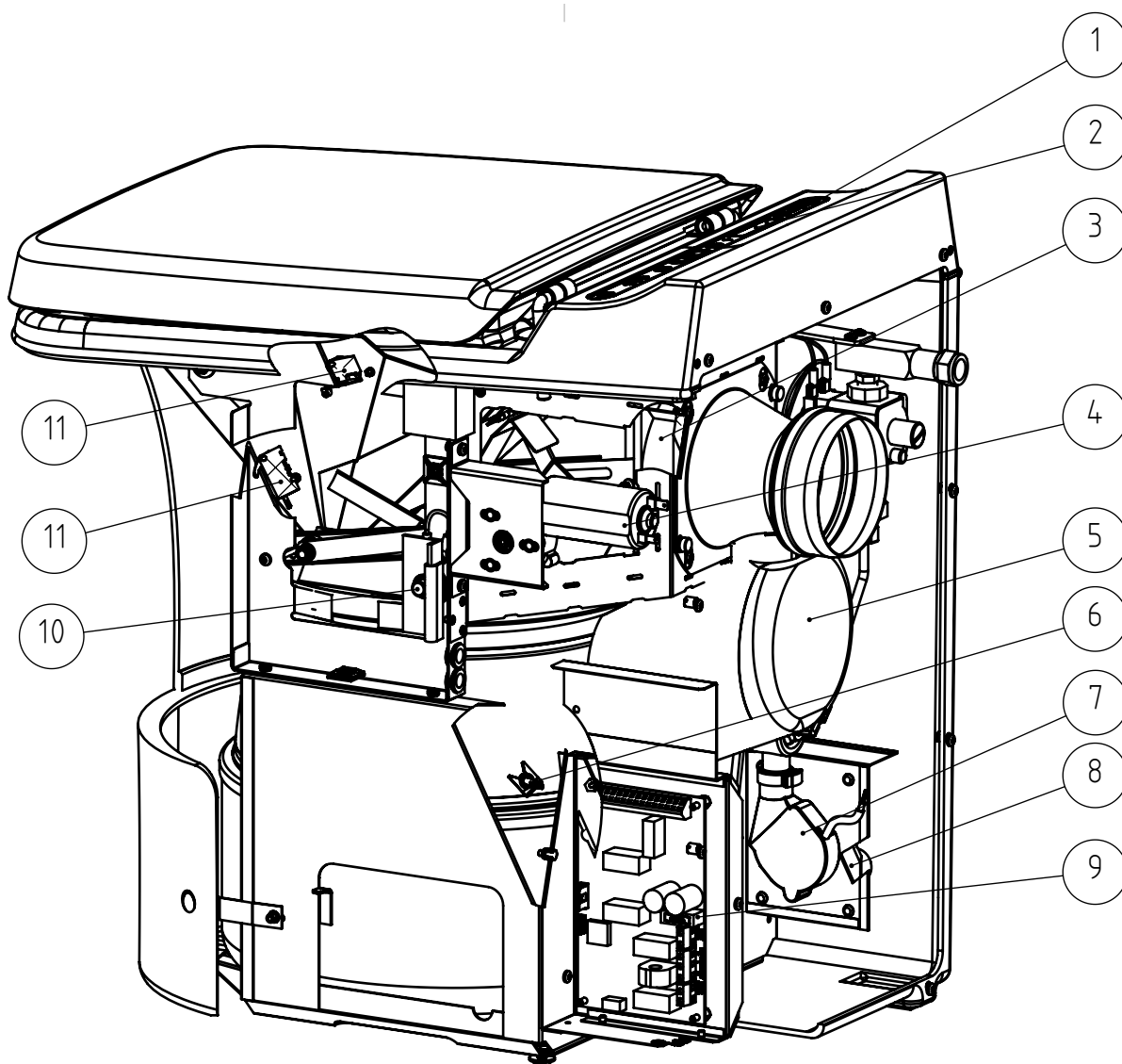
TÉLÉCHARGER LA DOCUMENTATION

Vous pouvez télécharger les documents sur nos produits depuis notre centre de documentation en ligne où vous trouverez les manuels d'utilisation, les manuels d'entretien ainsi qu'un manuel Déchet d'équipements électriques et électroniques (DEEE) à jeter.

ENTRETIEN ET PIÈCES DE RECHANGE

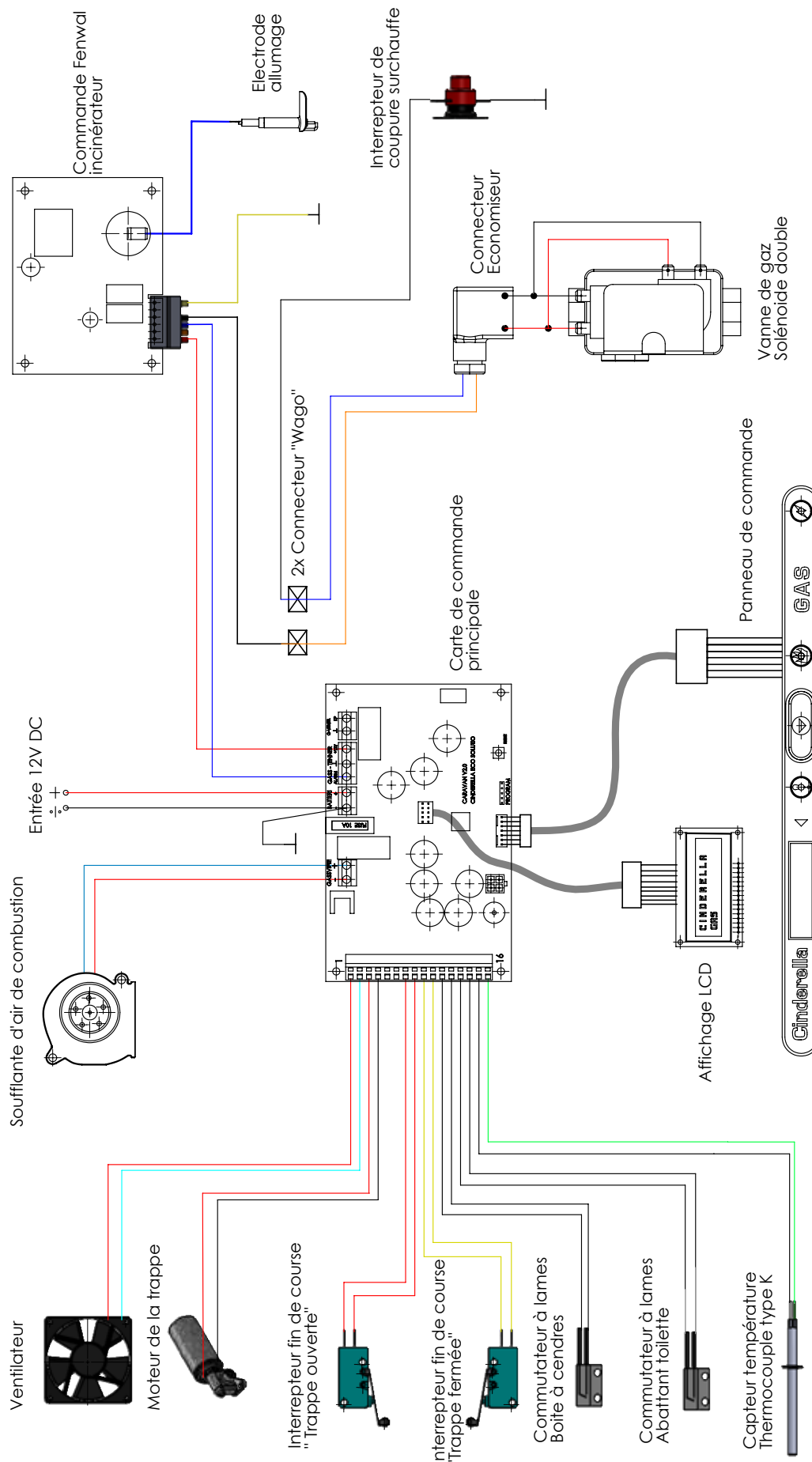
Visitez le site cinderellaeco.com et choisissez votre pays pour une liste de distributeurs locaux à contacter pour l'entretien et les pièces de rechange.

11. RÉPARATIONS ET PIÈCES DE RECHANGE



Pos. No	Description	Numéro article
1	Panneau de commande gaz	100476
2	Affichage	100401
3	Ventilateur	100155
4	Moteur de la trappe	100858
5	Catalyseur	100783
6	Thermocouple	100831
7	Ventilateur de l'incinérateur	100542
8	Carte d'ignition	100424
9	Carte de circuit gaz	100989
10	Fusible thermique	100117
11	Interrupteur fin de course (jaune)	100800
11	Interrupteur fin de course (rouge)	100857

12. SCHÉMA DU CÂBLAGE DES TOILETTES CINDERELLA GAS



13. GARANTIE



Portée de la garantie Cette garantie couvre toute défektivité de piéces ou de main-d'œuvre de vos toilettes sèches à combustion Cinderella, sous réserve des conditions et exclusions suivantes et pour la période indiquée ci-après.

Exclusions

Cette garantie ne couvre pas l'usure normale ou tout dommage dû à un accident (y compris les incendies, inondations, tempêtes, actes de force majeure ou désastres naturels), à une utilisation incorrecte ou non conforme, à un non-respect des instructions du fabricant ou à un mauvais entretien. Les dommages accessoires directs ou indirects ne sont pas couverts par cette garantie. Certaines juridictions n'acceptent pas l'exclusion ou la limitation des dommages accessoires directs ou indirects, auquel cas cette clause de limitation et d'exclusion ne vous concerne pas.

Durée de la garantie

Cette garantie est valable trois (3) ans à partir de la date d'achat initial.

La responsabilité de Cinderella Eco Canada Ltd.

En cas de réclamation valable dans le cadre de cette garantie, Cinderella Eco Canada Ltd réparera, remplacera ou remboursera vos toilettes sèches à combustion Cinderella, à son entière discrétion.

Service

Pour le service de vos toilettes, contactez Cinderella Eco Canada Ltd. ou rendez-vous chez un prestataire de service autorisé. Les prestations disponibles dépendent du pays dans lequel le service est demandé et peuvent se limiter au pays d'achat initial. Les frais d'appel et d'expédition internationale peuvent s'appliquer en fonction du pays.

Il se peut que l'on vous demande de fournir une preuve d'achat lorsque vous faites une réclamation dans le cadre de cette garantie. Pour de plus amples renseignements en rapport avec la garantie, veuillez vous reporter à notre page Web : www.cinderellaeco.com

Application du droit national

Cette garantie vous octroie certains droits légaux, et vous pouvez bénéficier d'autres droits en fonction de votre État de résidence. Veuillez consulter la réglementation locale.

Cinderella Eco Canada Ltd.
77 City Centre Drive, Suite 501, East Tower
Mississauga, ON L5B 1M5, Canada

Pour les ventes, l'assistance et la maintenance, veuillez appeler le 905-267-3465 ou envoyer un courriel à : support.canada@cinderellaeco.com ou visiter le site www.cinderellaeco.com

Distributor:

Manufacturer:

Cinderella®
EcoGroup



Cinderella®

INCINERATION TOILETS

Cinderella Eco Canada Ltd.
77 City Centre Drive, Suite 501, East Tower, Mississauga, ON L5B 1M5, Canada
Phone: (905) 267-3465, E-mail: support.canada@cinderellaeco.com