

# Cinderella®

■ ■ ■ Made in Norway

## Cinderella Classic

Model Classic NA/Modèle Classic NA



**Cinderella Classic Installation Manual**  
**Manuel d'installation de la Cinderella Classic**  
Languages/Langues: English, Français

## Contents

Registration of Your Product	Page 2
Included Parts	Page 3
Required Tools and Materials	Page 3
Specifications and Requirements	Page 4
Toilet Diagram	Page 5
Before Installation	Page 6
Planning Your Ventilation	Page 7
Installing the Outlet Air Pipe	Page 8-9
Installing the Inlet Air Pipe	Page 10-11
Finalizing the installation	Page 12

## Sommaire (français)

Enregistrement de votre produit	Page 2
Pièces incluses	Page 13
Outils et accessoires nécessaires	Page 13
Caractéristiques et exigences	Page 14
Schéma de la toilette	Page 15
Avant l'installation	Page 16
Préparation de la ventilation	Page 17
Installation du tuyau d'évacuation d'air	Page 18-19
Installation du tuyau d'admission d'air	Page 20-21
Finalisation de l'installation	Page 22



### Registration

You can register your toilet on the Internet:  
[www.cinderellaeco.com](http://www.cinderellaeco.com)



### Enregistrement

Vous pouvez enregistrer vos toilette en ligne  
en vous connectant sur:  
[www.cinderellaeco.com](http://www.cinderellaeco.com)

## Included Parts

- 1 pc. Cinderella Classic
- 1 pc. Original paper bags (500 bags)
- 1 pc. Outlet air pipe, diameter 4 <sup>5</sup>/<sub>16</sub> in. x 2 Ft. (110 mm. by 600 mm length)
- 1 pc. T-piece 90°, diameter 4 <sup>5</sup>/<sub>16</sub> in. (110 mm)
- 1 pc. Ventilator cowl
- 1 pc. User guide
- 1 pc. Installation guide



## Required Tools

- Drill
- Hole saw 4 <sup>1</sup>/<sub>2</sub> in. (111 mm), for cutting holes for outlet air pipe.
- Hole saw 6 <sup>5</sup>/<sub>8</sub> in. (168 mm), for cutting hole for inlet air vent
- Long drill bit for drilling pilot hole through wall
- Saw
- Tape measure
- Marker pen
- Rasp or file

We highly recommend this installation kit for first-time or in-experienced installers. It includes the ventilation pipes and clamps you will need to perform a normal installation in combination with the parts included with your toilet. Contact your reseller for purchase information.





All safety instructions in this manual are marked with this symbol. Please be sure to pay close attention to all instructions given in this manual, especially when you see this symbol.

**IMPORTANT NOTE:** Read this entire installation manual prior to installation. The homeowner should keep this installation manual for future references. Visit [www.cinderellaeco.com](http://www.cinderellaeco.com) for detailed step-by-step animations for the installation of your new toilet. It can be a good idea to look at these animations prior to installing your new Cinderella Classic toilet. They can be a useful tool in addition to this manual.

## Electrical Specifications and Requirements

**IMPORTANT NOTE:** Extension cords should not be used with this appliance.

**IMPORTANT NOTE:** This appliance must be installed in accordance with National Electrical Codes, as well as all state, municipal and local codes. The correct voltage, frequency and amperage must be supplied to the appliance from a dedicated, grounded circuit which is protected by a properly sized circuit breaker. The proper voltage, frequency and amperage are listed in this manual, and on the product rating plate on the back of the toilet.

The toilet is delivered with a 15 amp NEMA 6-15 plug and chord (fig. 1). To supply sufficient power to the unit as delivered, it will require a Nema 6-15R receptacle on a dedicated grounded circuit, with at least 10 amps of available power at 220 V AC. If you do not have the appropriate receptacle available, please contact a licensed electrician to assist with your installation.

- Power Supply 240/220 V AC, 60 Hz
- Current 10 amp
- Power Consumption 2000W

**IMPORTANT NOTE:** Cinderella Classic has a power consumption level of approximately 2000W while incinerating, which may be sustained over periods exceeding an hour at a time. Make sure that your electrician takes this electrical load into consideration.

**POWER CONVERTERS:** Power converters are not recommended for use with your Cinderella product. Cinderella Classic has a maximum power consumption level of 2000W, which may be sustained over periods exceeding an hour at a time. Power converters with a “peak consumption” level of 2000W may be unable to maintain this power output and become overloaded, damaged or unsafe if used with your Cinderella Classic..

**BATTERIES, GENERATORS and SOLAR PANELS** are not sufficient as a power source for Cinderella Classic.

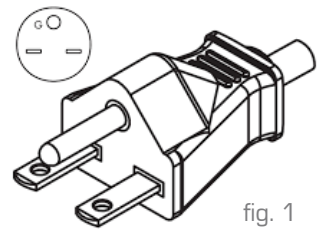


fig. 1

**15 AMPERE-250 VOLT  
(NEMA 6-15P) PLUG**

## Environmental Requirements

Ambient temperature range: -5- 105°F (-20-40°C)

- Operating altitude: Tested to 8,200 feet (2500 m)



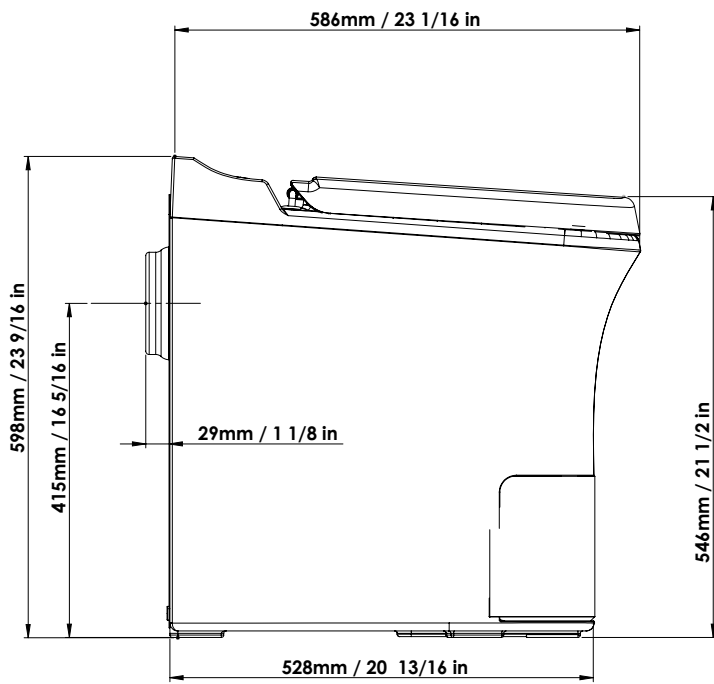
When the Cinderella Classic is installed, minimum clearance to combustibile construction must be;

- 2 in. (5, 08 cm) from sides
- 2 in. (5, 08 cm) from rear

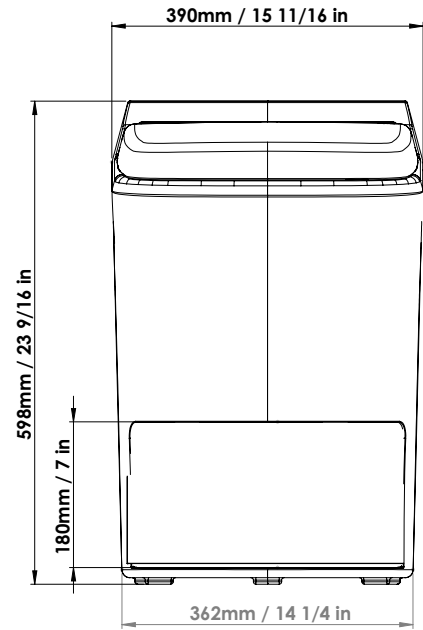


Warning: Before cutting any holes, always check that you will not hit any electrical wiring or water pipes. Failure to follow safety precautions may cause serious injury or death

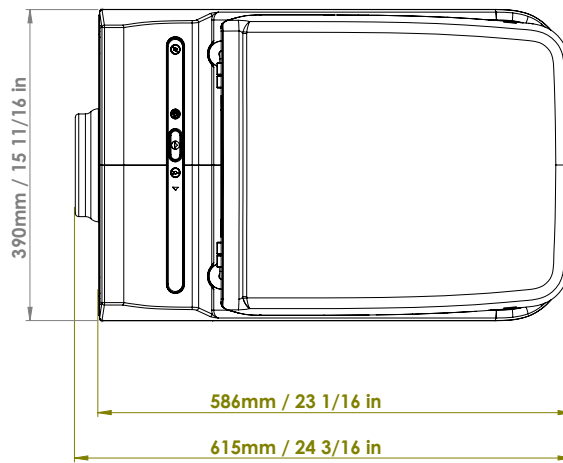
# Cinderella Classic Dimensions



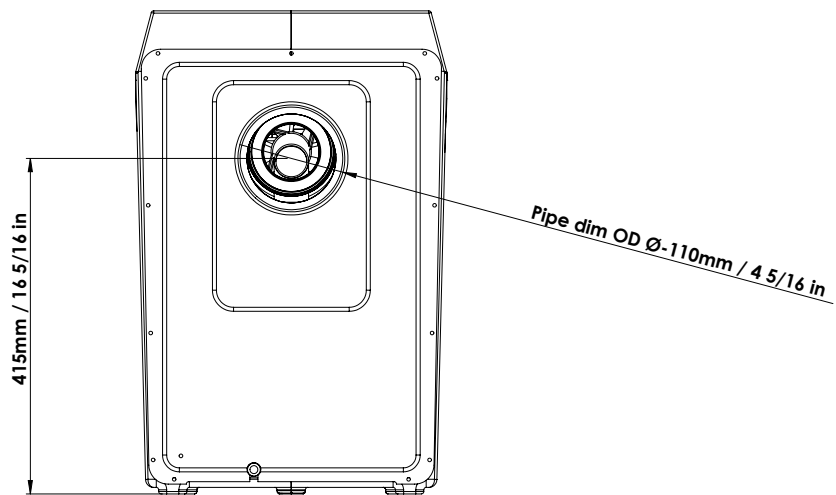
Side view



Front view



Top view



Back view

## Before Installation

Cinderella Classic is designed to use the air supplied into the room, and it is important that there is no other air dependent installations in the room that may conflict with the toilet. There must be a properly dimensioned air vent installed in the room, and it is NOT possible to use extractor fan in the same room as the toilet when in operation.

Cinderella Classic is approved for use in bathrooms/wet rooms (IP 34 classified), but water must not be splashed over the external parts of the toilet. For more information about rules for installations in wet rooms, please consult a plumber.

The Cinderella toilets must be placed on a firm and level base. Your Cinderella Classic can be installed on a heated floor as well as in an unheated room. Incorrect installation may cause poor incineration, odors and wear of the product. Ensure that installation is performed in compliance with electrical and building regulations. If you are unsure of this, contact a professional tradesman.

**IMPORTANT NOTE:** If your Cinderella Classic is incorrectly installed, your warranty will be void.



## Cinderella Online

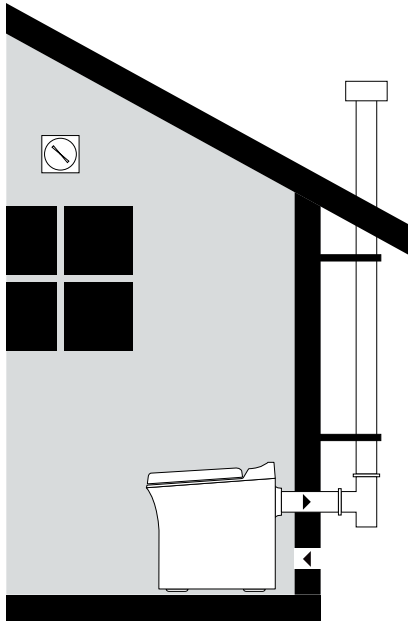
Before you install your Cinderella Classic, you may want to look at our online tutorial video. This tutorial will take you through the whole process from locating where to place the toilet and how to install your Cinderella Classic. You can find the tutorial videos here: [cinderellaeco.com](http://cinderellaeco.com)

# Planning Your Ventilation

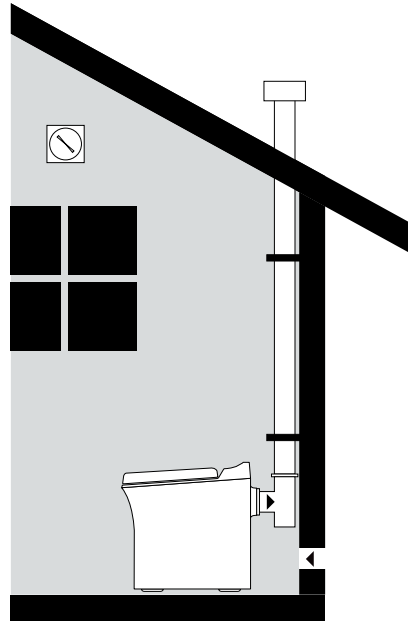
The first step in planning your ventilation is deciding where and how to install the outlet pipe. There are different ways of installing your outlet pipe, but it is recommended to install the toilet using straight pipes only. This is to ensure optimal airflow. Using too many bends or exceeding the maximum pipe length, could create restricted airflow and, in the worst case, back pressure in the system. Incorrect installation may cause poor incineration, odors and wear of the product. Ensure that installation is performed in compliance with electrical and building regulations. If you are unsure of this, contact a professional tradesman.

Below, you can see different installation alternatives. Select one of the most desired installation alternatives if possible.

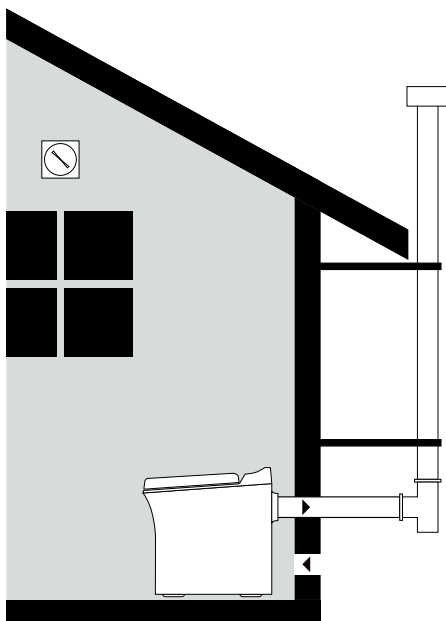
**Most desirable installation**



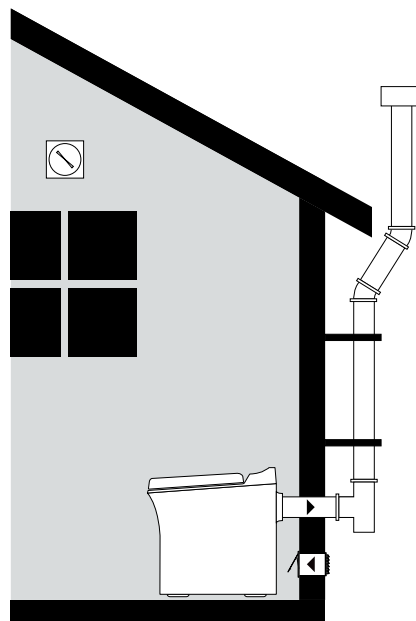
**Most desirable installation**



**Least desirable installation**



**Least desirable installation**





# OUTLET AIR

## Installing the Outlet Air Pipe

It is important to ensure that the pipe has a minimum diameter of 4 <sup>5</sup>/<sub>16</sub> in. (110 mm) all the way from the toilet to the ventilator cowl. The inside of the pipe must be smooth, preferably of a PP- or CPVC-type. It is not permitted to use any flexible ducts or pipes when installing the Cinderella toilet, the supplied ventilator cowl must always be used.

### Specifications and guidelines for installing the Cinderella Classic:

- Maximum length horizontal pipe - 2 ft. (600 mm)
- Maximum length vertical pipe without any bends: 18 ft. (5.5 meters)
- Maximum length vertical pipe with bends: 15 ft. (4.5 meters)
- If you have 2x 30° bends: Total length of angled pipe tension must not exceed 5 ft. (1.5 meters.)
- If you have 2x 45° bends: Total length of angled pipe tension must not exceed 3 <sup>3</sup>/<sub>8</sub> ft. (1 meter.)

The pipe must be installed vertically above the roof, and extend at least 24 in. (609mm) above the roof surface (fig. 7).

If the pipe perforates the roof surface, make sure that installation is performed in compliance with building regulations.

Never use a mosquito net in the ventilation pipe.

**IMPORTANT NOTE:** The supplied T-piece should always be used. Do not use any 90° bends in addition to the T-piece. The T-piece must be accessible when installed, so that the drainage pipe can be rinsed, and the outlet pipe cleaned.

**IMPORTANT NOTE:** Each Cinderella Classic toilet must have its own outlet air pipe.

### Alternative 1:

When the outlet air pipe is installed through an exterior wall, the toilet should be placed a minimum of 1 in. (25 mm) from the wall (fig. 2).

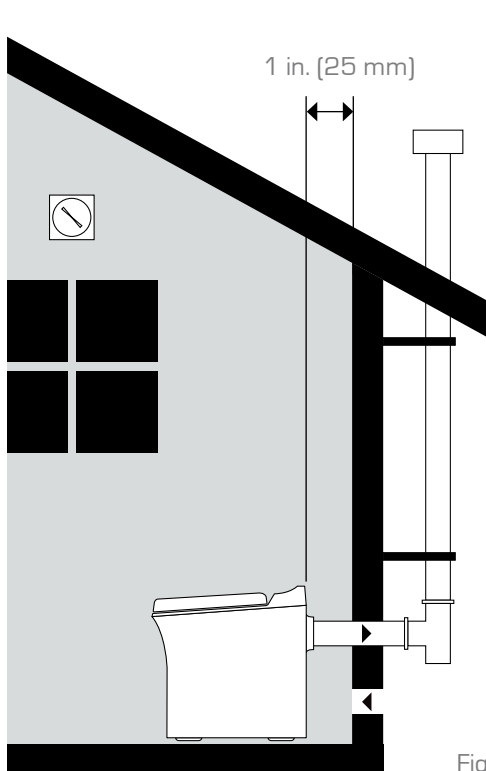


Fig. 2

### Alternative 2:

When the outlet air pipe is installed indoor through the ceiling, the toilet should be placed a minimum of 9 in. (230 mm) from the wall, to make room for the T-bend (fig. 3).

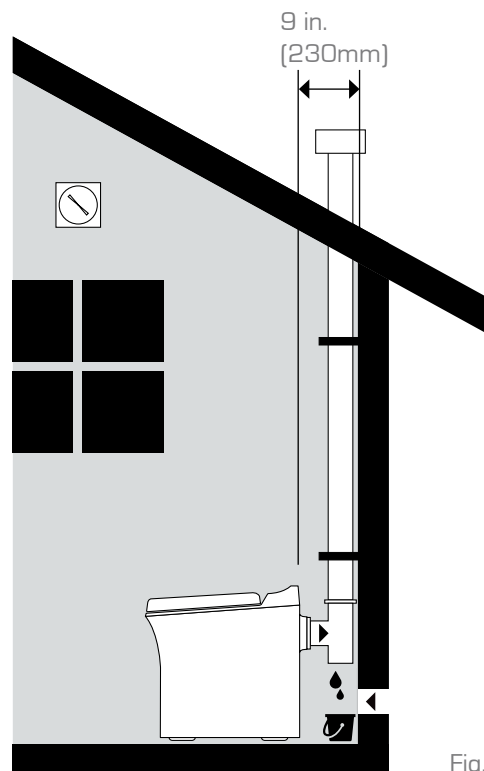


Fig. 3



## Installing the Outlet Air Pipe Through an Exterior Wall

1. In the centerline of the Cinderella's chosen position, make a mark on the wall  $16\frac{1}{3}$  in. [415 mm] from the floor, for the outlet air pipe.
2. Drill a pilot hole with a long drill bit through the wall. Make sure you are holding the drill perpendicular to the floor.
3. Expand the hole with a  $4\frac{3}{8}$  in. [111 mm] diameter hole saw.
4. Make a mark  $1\frac{3}{8}$  in. [35 mm] from the beveled end of the pipe to indicate how far the pipe should be pressed into the toilet muff [fig. 4].
5. Install the supplied short air pipe through the wall [fig. 5].
6. Outdoors: Lubricate the muff of the T-piece and slide onto the pipe protruding from the toilet.
7. Mount the vertical pipe and fix it to the wall with wall brackets.
8. Mount the ventilator cowl on top of the pipe.
9. Mount the T-piece plug.

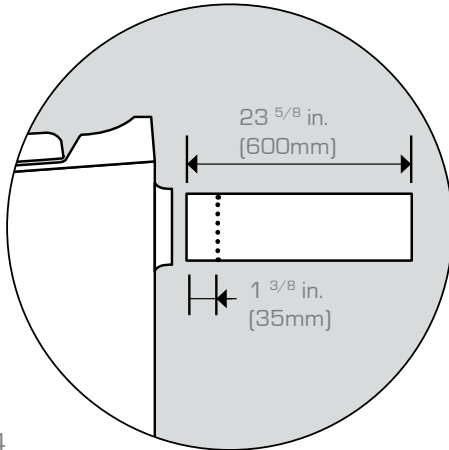


Fig. 4

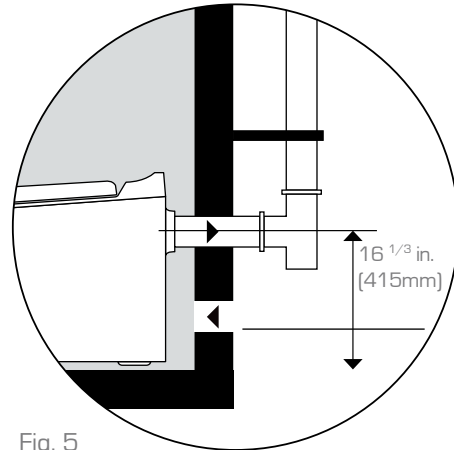


Fig. 5

## Installing Outlet Air Pipe Indoor Through the Ceiling

To able the toilet to be placed as close as possible to the wall, as shown in fig. 3, you will have to start with shortening the included short pipe to a minimum length of  $3\frac{1}{8}$  in. (80 mm). Please note when preparing the short pipe, that the longer the pipe, the further the toilet will be placed into the room. Always make sure to preserve one of the beveled pipe ends, to be used when connecting the toilet to the pipe.

1. Make a mark  $1\frac{3}{8}$  in. [35 mm] from the end of the pipe, to indicate how far the pipe should be pressed into the toilet muff [fig. 4].
2. Lubricate the end with dishwashing detergent or a similar substance [fig. 6].
3. Press the pipe into the toilet muff, then attach the T-piece.
4. Place the toilet in the intended position.
5. Use a plumb line to mark the center of the T-piece on the ceiling.
6. Drill a pilot hole with a long drill bit through both the ceiling and roof.
7. Expand the pilot hole with a  $4\frac{3}{8}$  in. [111 mm] hole saw
8. Ensure that the pipe is properly fed through the ceiling/roof. If the outlet air pipe is to be enclosed (e.g. using metal siding), make sure that the end of the pipe extends at least 16 in. [400mm] above the enclosure [fig. 7].

**IMPORTANT NOTE:** Make sure that the pipe is fed through the roof in compliance with building regulations. If you are unsure, contact a qualified tradesman.

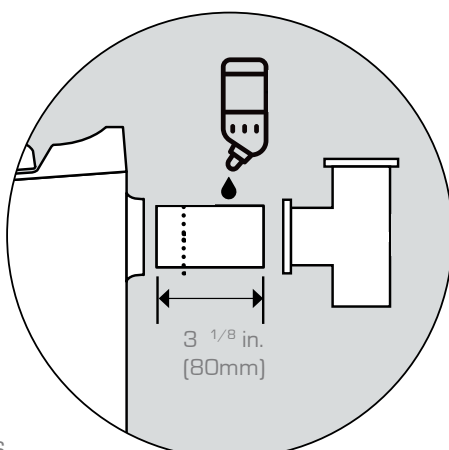


Fig. 6

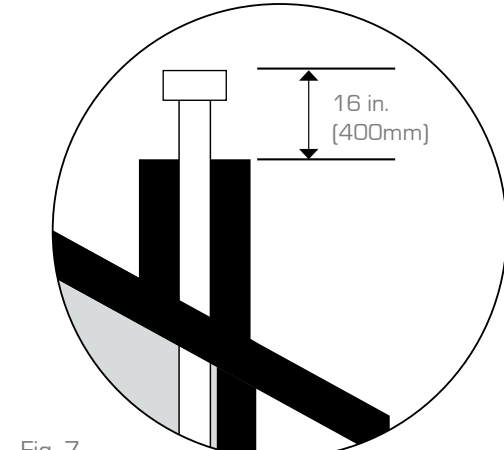


Fig. 7

# INLET AIR

## Before Installation

The air inlet vent should be installed as close to the Cinderella as possible. This ensures good air supply to the toilet and reduces the environmental impact in the toilet room. It is important that there are no other air-dependent installations in the same room, e.g. extractor fan or fireplace. The Cinderella Classic draws air mainly from the underside of the toilet. It is therefore possible to have the air intake underneath the toilet (fig. 8). This allows you to insulate the air as much as possible in the toilet to minimize the environmental impact in the toilet room.

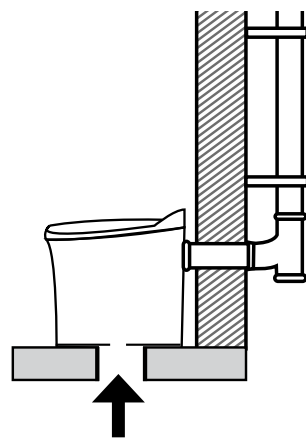


fig. 8

## Guidelines for The Inlet Air

- The inlet vent's minimum dimensions must be 6 <sup>5</sup>/<sub>16</sub> in. (160 mm) diameter/31 in<sup>2</sup> (201 cm<sup>2</sup>). It is recommended to use the included vent.
- The vent must be open at all times. Remember to clean the vent at regular intervals.
- Make sure that there is no conflict between the toilet's air supply and other installations, such as a fireplace or extractor fan (fig. 9).
- Be aware that open windows may disturb the toilet's function.
- Do not use a separate ventilation fan to extract air from the room where the toilet is installed.
- If you have open ventilation under the toilet, it may be advisable to use a mosquito net over the hole to keep out insects and the like. It is important that this mosquito net is not too fine-mesh so that it creates too little air flow.

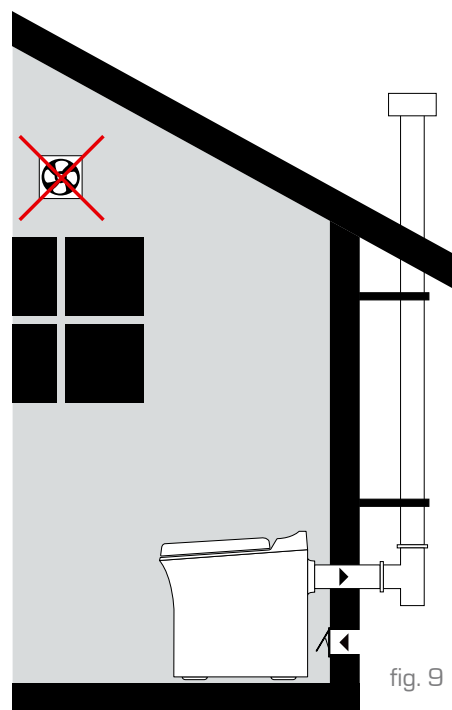


fig. 9

## Protecting the Floor

If the T-piece is installed indoors, you must place a bowl underneath to collect any condensation. Push the supplied ventilator cowl into the pipe until it stops (fig. 10).

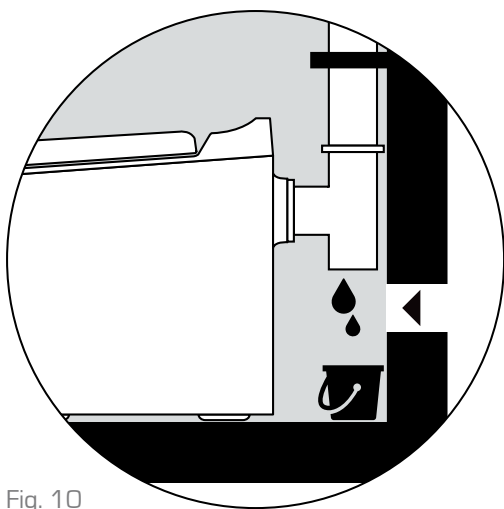


Fig. 10

## Adjustable Vent

The included vent has an adjustable opening, but should always be positioned at level 2, approximately 2 in. (50mm) or more (fig. 11). If an adjustable vent is already installed in the room, it must always be open, with nothing hindering the air flow in the vent.

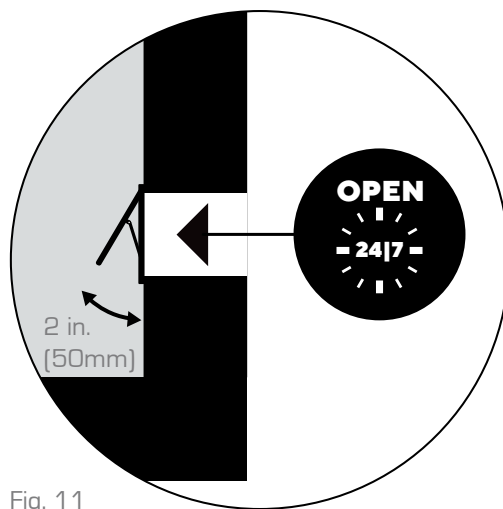


Fig. 11

# Installing the Exterior Wall Vent

For maximum functionality and comfort the supplied vent duct kit should be placed close to the floor in the area behind the toilet (fig. 12). Note: The vent duct could also be placed elsewhere in the room, as long as there are no other air dependent installations close by and that there is a door or similar that preserves the air inside the room.

1. Drill four pilot holes in a 6 1/4 in [159mm] square with a long drill bit through the wall. Make sure you are holding the drill perpendicular to the floor (fig. 13)
2. Use a jigsaw to cut between the four holes (fig. 14).
3. Mount the expandable vent duct kit (fig. 15/16).



Warning: Before cutting any holes, always check that you will not hit any electrical wiring or water pipes. Failure to follow safety precautions may cause serious injury or death.

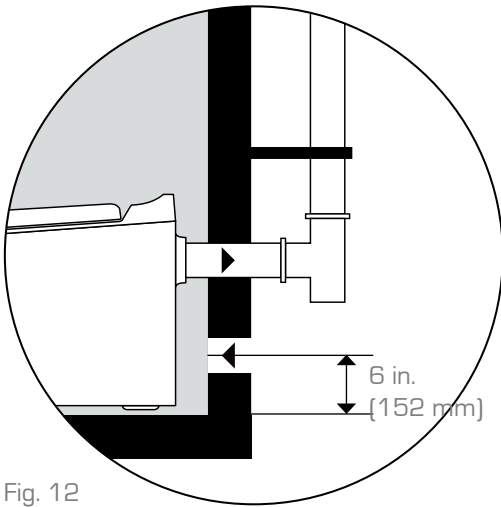


Fig. 12

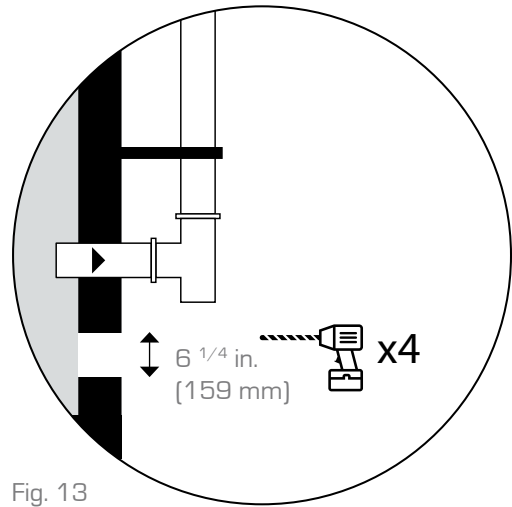


Fig. 13

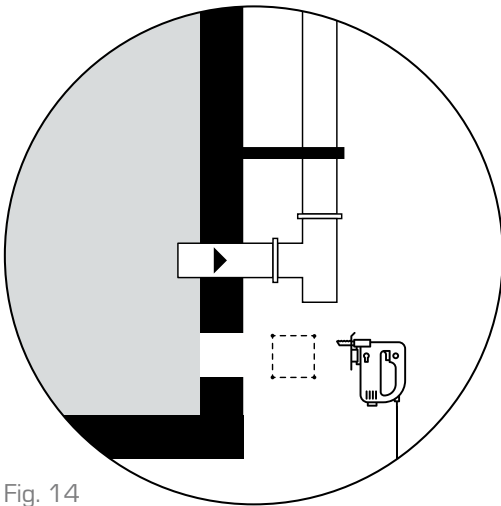


Fig. 14

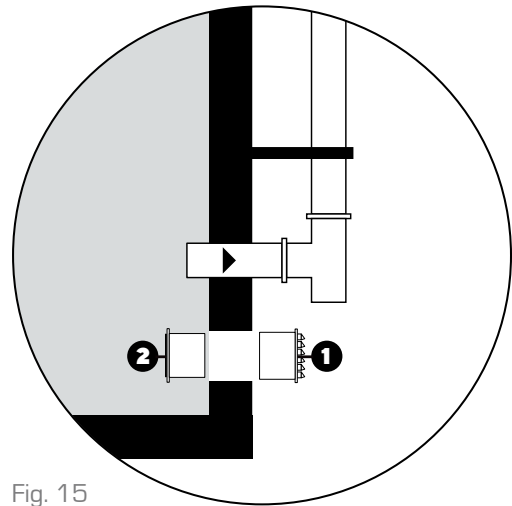


Fig. 15

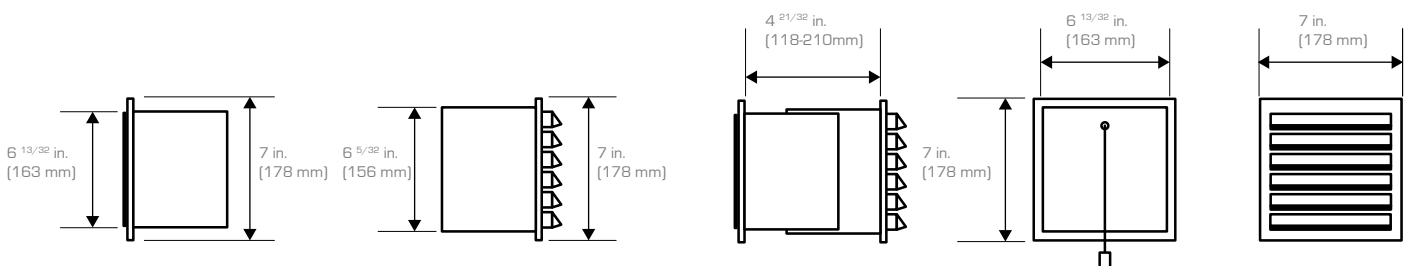


Fig. 16

# FINALIZING THE INSTALLATION

## Connecting the Toilet

After you have finished installing the pipes, gently push the toilet onto the outlet pipe. The toilet design allows the pipe to enter 1 <sup>3</sup>/<sub>8</sub> in. (35mm) into the toilet venturi, before it stops (fig. 17). Do not force the pipe into the toilet, as this may damage the toilet. To facilitate inserting the pipe, use some lubrication on the muff in advance.

Remember to plug in the power before use, a green light on the control panel will be lit when power is connected (fig 18).

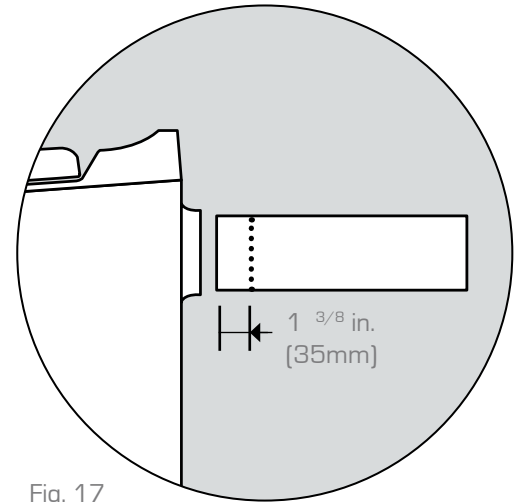


Fig. 17

Fig. 18



## Securing the Toilet

In order to secure the Cinderella Classic to the floor:

1. Remove the ash container.
2. Mark the position of the holes on the floor (fig. 19). Remove the toilet.
3. Drill out the holes with an appropriate drill bit depending on the type of floor. Use suitable screws.

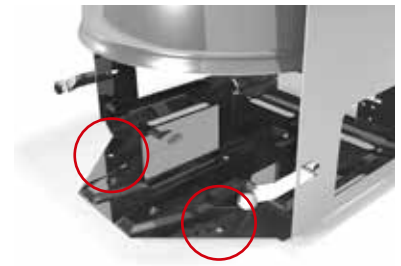


Fig. 19

## Transport Safety Strap

The ash container is equipped with a safety strap which must be removed before use:

1. Remove the front cover.
2. Cut away and remove the plastic straps attaching the ash container to the steel frame.

## Verifying Installation

To ensure proper function of the system, you can perform an easy performance test.

Performance test:

1. Open the lid and seat – Red light should be lit and the fan starting to blow.
2. Simply insert an Original Cinderella Bowl Liner into the toilet.
3. Add water (2 <sup>1</sup>/<sub>2</sub> pints (1,2 liter)) and toilet paper (approx. 1 yard (1 meter))
4. Close the lid and push the start button – Yellow light should be lit. This indicates that the incineration cycle has been activated).
5. Incineration cycle should take from 60–70 minutes, before it starts to cool down.
6. Wait until the toilet has cooled down and the fan has stopped (this can take up to 60–90 minutes), check the result in the ash container. You should only see white dust.

If the toilet failed to pass the performance test, please check that all the installation parameters are according to the manufacturer's instructions and that the electrical power supply is between 220–240V AC.

**IMPORTANT NOTE:** The performance test is designed to be performed when the toilet is new out of the box. Results may vary when performing this test on used toilets.

## Pièces incluses

- 1 X Cinderella Classic
- 1 X Sacs en papier d'origine (500 sacs)
- 1 X Tuyau d'évacuation d'air, diamètre de 4 <sup>5/16</sup> po x 2 pieds (110 mm x 600 mm de longueur)
- 1 X Pièce en T à 90°, diamètre 4 <sup>5/16</sup> po (110 mm)
- 1 X Gaine de ventilateur
- 1 X Manuel utilisateur
- 1 X Manuel d'installation



## Outils nécessaires

- Perceuse
- Scie-cloche de 4 <sup>1/2</sup> po (111 mm), pour couper le trou du tuyau d'évacuation d'air.
- Scie-cloche de 6 <sup>5/8</sup> po (168 mm) pour le trou de la bouche d'admission d'air
- Mèche de perceuse longueur percer un trou de guidage dans le mur
- Scie
- Ruban à mesurer
- Marqueur
- Râpe ou lime

Cette trousse d'installation est fortement recommandée pour les installateurs novices ou inexpérimentés. Elle comprend les tuyaux de ventilation et les pinces nécessaires pour réaliser une installation normale à l'aide des pièces incluses avec vos toilettes. Veuillez contacter votre revendeur pour obtenir des renseignements sur votre achat.





Toutes les consignes de sécurité figurant dans ce mode d'emploi sont indiquées par ce symbole. Veuillez respecter scrupuleusement les instructions de ce manuel, particulièrement lorsque vous voyez ce symbole.

**REMARQUE IMPORTANTE :** il est important de lire le manuel d'installation en entier avant de procéder à l'installation. Il est conseillé au propriétaire de conserver ce manuel d'installation pour référence ultérieure. Rendez-vous sur la page [www.cinderellaeco.com](http://www.cinderellaeco.com) pour visionner des animations étape par étape détaillant l'installation de votre nouvelle toilette. Il est conseillé de regarder ces animations avant d'installer votre nouvelle toilette Cinderella Classic. Ces dernières peuvent être un complément utile à ce manuel.

## Caractéristiques et exigences électriques

**REMARQUE IMPORTANTE :** Ne pas utiliser de rallonge avec cet appareil.

**REMARQUE IMPORTANTE :** cet appareil doit être installé conformément aux codes électriques nationaux, provinciaux, municipaux et locaux. La tension, la fréquence et l'intensité correctes doivent être fournies à l'appareil depuis un circuit dédié, mis à la terre et protégé par un disjoncteur de la puissance appropriée. La tension, la fréquence et l'intensité appropriées sont indiquées dans ce manuel et sur la plaque signalétique du produit, située à l'arrière de la toilette.

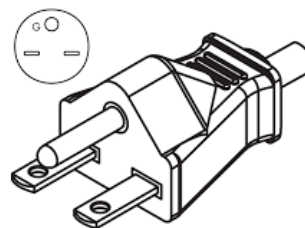
Cette toilette est livrée avec une prise et un câble Nema 6-15 de 15 ampères. Afin de fournir une puissance électrique suffisante, il est nécessaire d'installer une prise Nema 6-15R sur un circuit séparé mis à la terre, d'une capacité minimale de 10 A sur un secteur 220 V CA. Si votre prise ne correspond pas à la fiche, veuillez obtenir l'aide d'un électricien agréé pour l'installation.

- Alimentation 220/240 V CA, 60 Hz
- Courant 10 amps
- Consommation électrique 2000W

**REMARQUE IMPORTANTE :** La toilette Cinderella Classic a une consommation électrique maximale de 2 000W pendant l'incinération qui peut être maintenue pendant plus d'une heure à chaque fois. Veuillez à ce que votre électricien respecte cette charge électrique.

**TRANSFORMATEURS :** L'utilisation de transformateurs de tension avec votre produit Cinderella est déconseillée. La Cinderella Classic a une consommation électrique maximale de 2 000 W qui peut être maintenue pendant plus d'une heure à la fois. Un transformateur tolérant des « pics de puissance » de 2 000 W risque de ne pas maintenir une telle puissance et d'être surchargé, endommagé ou peu sûr si vous l'utilisez avec votre Cinderella Classic.

LES BATTERIES, PETITS GÉNÉRATEURS et PANNEAUX SOLAIRES ne constituent pas des sources d'énergie suffisantes pour la Cinderella Classic.



PRISE 15A - 250V (NEMA 6-15P)

## Exigences environnementales

Plage de températures ambiantes : -20-40 °C (-5-105 °F)

- Altitude de fonctionnement : Testée à 2 500 m (8 200 pieds)



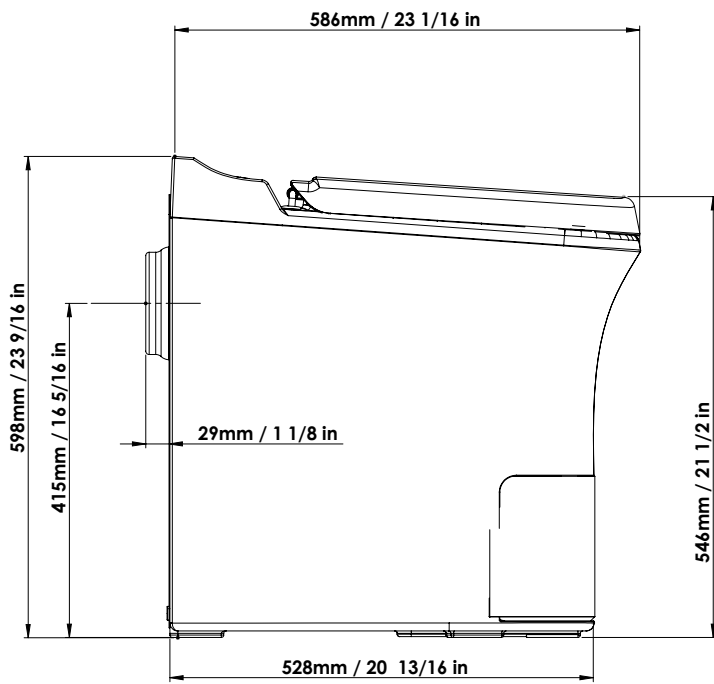
Pour l'installation de la Cinderella Classic, la distance minimale par rapport aux matériaux combustibles doit être de :

- 5,08 cm (2po) sur les côtés
- 5,08 cm (2po) de l'arrière

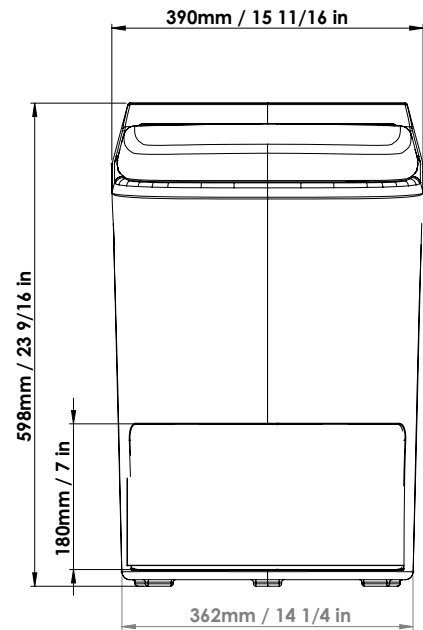


Avertissement : Avant de percer les trous, assurez-vous de ne pas heurter les fils électriques ou les tuyaux d'eau. Le non-respect des consignes de sécurité peut entraîner des blessures graves voire mortelles.

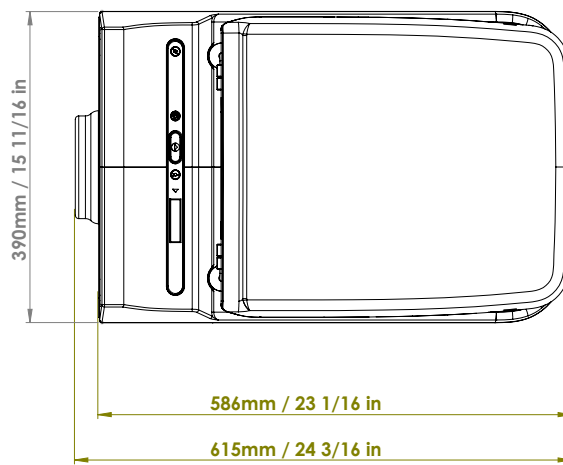
# Dimensions de la Cinderella Classic



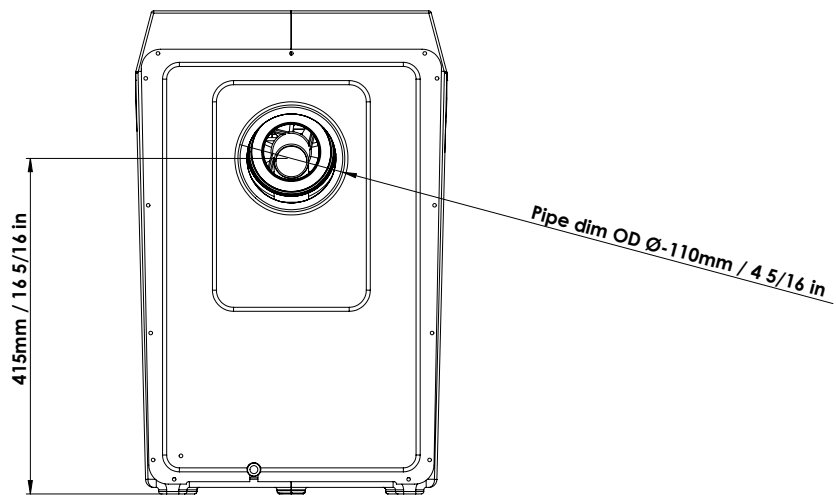
Vue latérale



Vue avant



Vue du dessus



Vue arrière



## Avant l'installation

La toilette Cinderella Classic est conçue pour utiliser l'air diffusé dans la pièce. Il est important de ne pas installer d'autres appareils dépendants de l'air dans la pièce pour éviter tout conflit avec la toilette. Une bouche d'aération correctement dimensionnée doit être installée dans la pièce, et il n'est PAS possible d'utiliser un ventilateur d'extraction dans la même pièce que la toilette pendant son fonctionnement.

La toilette Cinderella Classic est homologuée pour être utilisée dans les salles de bains/d'eau (de classe IP 34), mais il ne doit y avoir aucune éclaboussure d'eau sur les parties extérieures de la toilette. Pour plus de renseignements sur les règlements relatifs à l'installation dans une salle d'eau, veuillez consulter un plombier.

La toilette Cinderella doit être placée sur une base ferme et plane. Votre Cinderella Classic peut être montée tant sur un plancher chauffant que dans une pièce non chauffée. Une installation non conforme peut entraîner une mauvaise incinération, dégager des odeurs et endommager le produit. Veillez à ce que l'installation soit conforme aux réglementations en matière de construction et d'installation électrique. En cas de doute, veuillez faire appel aux services d'un professionnel.

**REMARQUE IMPORTANTE :** Si la Cinderella Classic n'est pas correctement installée, votre garantie sera annulée.



## Cinderella en ligne

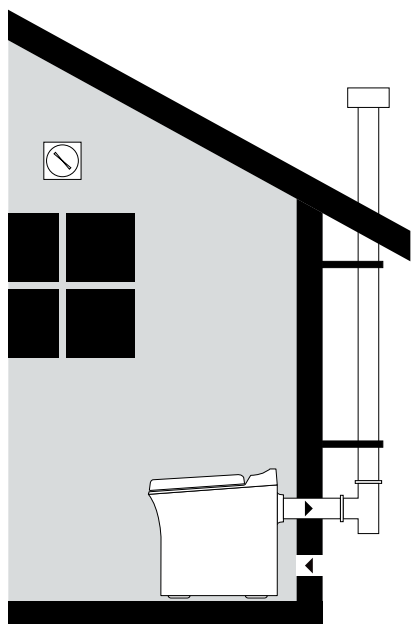
Avant d'installer vos toilette Cinderella Classic, vous pouvez également regarder notre didacticiel en ligne. Ce dernier vous guidera au travers du processus complet, du choix de l'emplacement de la toilette à l'installation de votre Cinderella Classic. Vous trouverez les didacticiels sur le site Web suivant : [cinderellaeco.com](http://cinderellaeco.com)

# Préparation de la ventilation

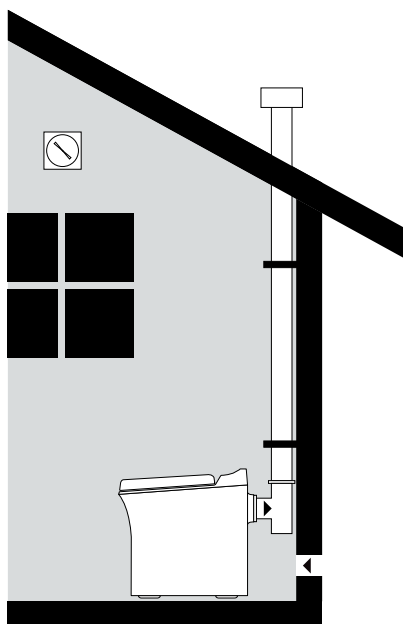
La première étape de la préparation de la ventilation consistera à décider où et comment installer le tuyau d'évacuation. Vous pouvez installer le tuyau d'évacuation de différentes façons, mais nous vous recommandons d'installer la toilette uniquement avec des tuyaux droits pour assurer une circulation d'air optimale. L'utilisation d'un trop grand nombre de coudes ou d'une longueur excessive de tuyau peut restreindre la circulation d'air et, dans le pire des cas, peut créer une contre-pression dans le système. Une installation non conforme peut entraîner une mauvaise incinération, dégager des odeurs et endommager le produit. Veillez à ce que l'installation soit conforme aux réglementations en matière d'électricité et de construction. En cas de doute, veuillez faire appel aux services d'un professionnel.

Vous trouverez ci-dessous différentes alternatives d'installation. Choisissez si possible l'une des alternatives d'installation la plus appropriée.

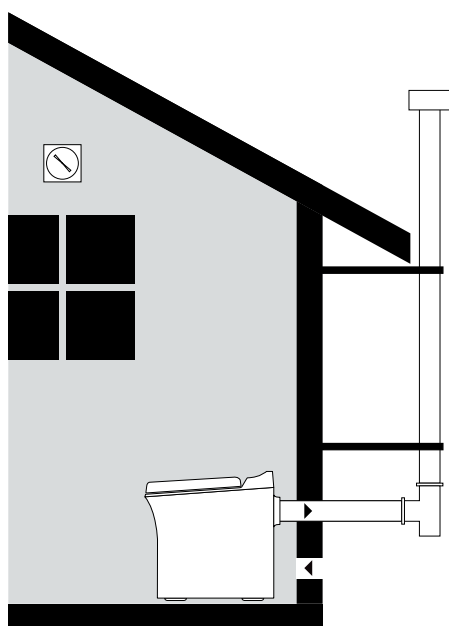
Installation la mieux adaptée



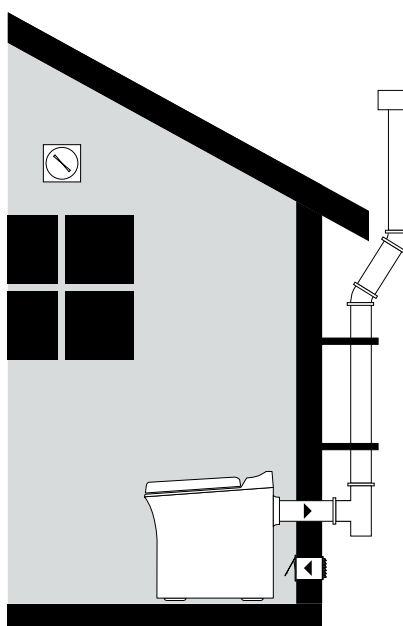
Installation la mieux adaptée



Installation la moins adaptée



Installation la moins adaptée



# ÉVACUATION D'AIR

## Installation du tuyau d'évacuation d'air

Il est important de s'assurer que le tuyau a un diamètre de 110 mm (4 5/16 po) de la toilette jusqu'à la gaine de ventilateur. L'intérieur du tuyau doit être lisse, et de préférence en polypropylène ou en CPVC. Il est interdit d'utiliser des conduites ou tuyaux flexibles pour l'installation de la toilette Cinderella; veuillez à toujours utiliser la gaine de ventilateur fournie.

### Spécifications et conseils concernant l'installation de la Cinderella Classic :

- Longueur maximale du tuyau horizontale : 600 mm (2 pieds)
- Longueur maximale du tuyau vertical sans coude : 5,5 mètres (18 pieds)
- Longueur maximale du tuyau vertical avec coudes : 4,5 mètres (15 pieds)
- Si vous avez deux coudes de 30° : La longueur totale de la tension du tuyau coudé ne doit pas dépasser 1,5 mètre (5 pieds)
- Si vous avez deux coudes de 45° : La longueur totale de la tension du tuyau coudé ne doit pas dépasser 1 mètre (3,3 pieds)

Le tuyau doit être installé à la verticale au-dessus du toit jusqu'à une hauteur d'au moins 609 mm (24 pouces) au-dessus de la surface du toit (illustration 7).

Si le tuyau perce la surface supérieure, veuillez à ce que l'installation soit conforme aux normes de construction.

N'utilisez jamais une moustiquaire dans le tuyau d'aération.

**REMARQUE IMPORTANTE :** Il est important de toujours utiliser la pièce en T fournie. Ne pas utiliser de coudes à 90° en plus du coude en T. La pièce en T doit être accessible après installation, pour que vous puissiez rincer le tuyau de drainage et nettoyer le tuyau d'évacuation.

**REMARQUE IMPORTANTE :** Chaque toilette Cinderella Classic doit être équipée d'un tuyau d'évacuation d'air.

**Alternative 1 :** Lorsque le tuyau d'évacuation d'air traverse un mur externe, la toilette doit se trouver au minimum à 25 mm (1 pouce) du mur. (illustration 2).

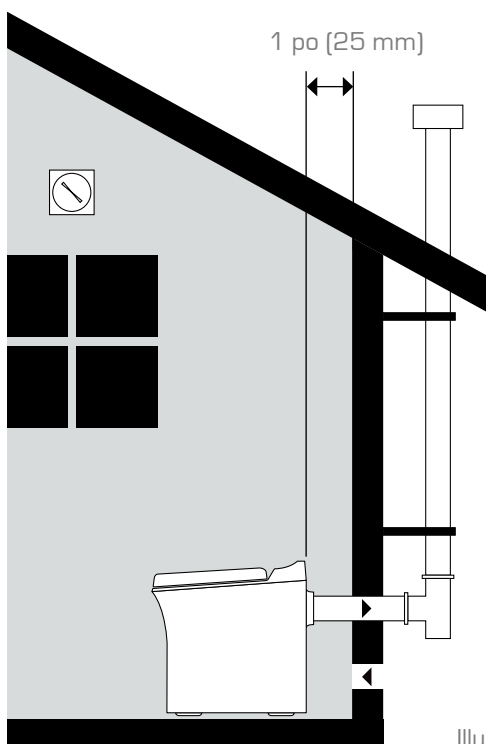


Illustration 2

**Alternative 2 :** Lorsque le tuyau d'évacuation d'air traverse le plafond, la toilette doit se trouver au minimum à 230 mm (9 po) du mur pour faire place au coude en T (illustration 3).

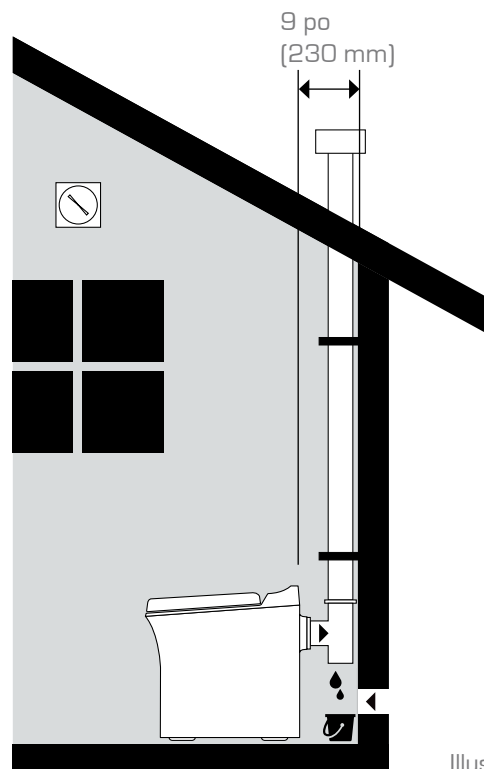


Illustration 3

## Installation du tuyau d'évacuation d'air au travers d'un mur externe

1. Dans l'axe central de la position sélectionnée de la Cinderella, tracez une marque sur le mur à 415 mm [ $16 \frac{1}{3}$  pouces mm] du sol, pour marquer l'emplacement du tuyau d'évacuation d'air.
2. Avec un long foret, percez un trou de guidage à travers le mur. Veillez à bien tenir la perceuse perpendiculaire au sol.
3. Élargissez le trou à l'aide d'une scie-cloche de 111 mm [ $4 \frac{3}{8}$  po] de diamètre.
4. Tracez une marque à environ 35 mm [ $1 \frac{3}{8}$  po] de l'extrémité biseautée du tuyau pour indiquer jusqu'où le tuyau doit être poussé à l'intérieur du manchon de la toilette (illustration 4).
5. Faites passer le court tuyau d'air fourni dans le mur (illustration 5).
6. A l'extérieur : Lubrifiez le manchon de la pièce en T et glissez-le sur le tuyau sortant de la toilette.
7. Attachez le tuyau vertical et fixez-le au mur à l'aide des supports muraux.
8. Mettez la gaine de ventilateur sur le haut du tuyau.
9. Attachez le bouchon de la pièce en T.

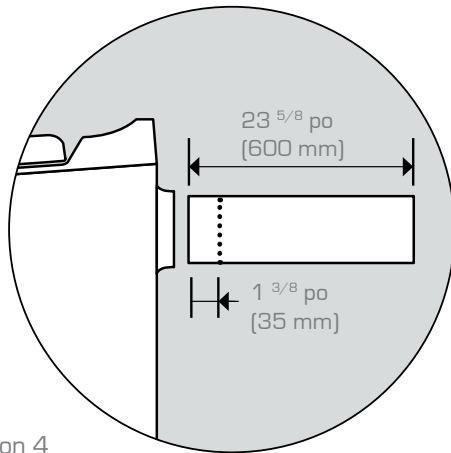


Illustration 4

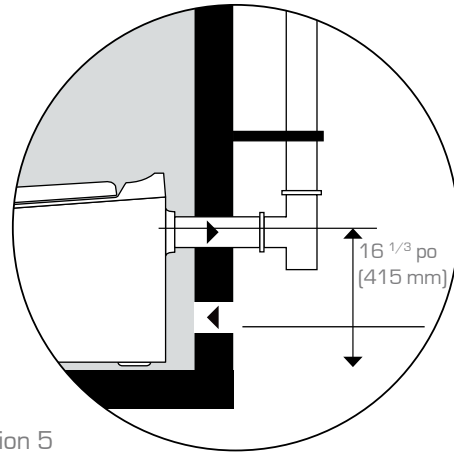


Illustration 5

## Installation du tuyau d'évacuation d'air à l'intérieur et au travers du plafond

Pour que la toilette soit placée aussi proche du mur que possible tel qu'indiqué à l'illustration 3, veuillez d'abord raccourcir le petit tuyau inclus à 80 mm [ $3 \frac{1}{8}$  po]. Veuillez noter pendant la préparation du petit tuyau que plus le tuyau est long, plus la toilette sera installée à l'intérieur de la pièce. Veuillez vous assurer de garder l'une des extrémités biseautées du tuyau pour l'utiliser lors du branchement de la toilette au tuyau.

1. Faites une marque à environ 35 mm [ $1 \frac{3}{8}$  po] de l'extrémité du tuyau pour indiquer jusqu'où le tuyau doit être poussé à l'intérieur du manchon de la toilette (illustration 4).
2. Lubrifiez l'extrémité avec du liquide vaisselle ou autre substance similaire (illustration 6).
3. Poussez le tuyau dans le manchon de la toilette puis fixez la pièce en T.
4. Placez la toilette dans la position prévue.
5. Utilisez un fil à plomb pour marquer le centre de la pièce en T au plafond.
6. Percez un trou de guidage à l'aide du long foret dans le plafond et le toit.
7. Élargissez le trou de guidage à l'aide d'une scie-cloche de 111 mm [ $4 \frac{3}{8}$  po]
8. Vérifiez que le tuyau passe correctement au travers du plafond/toit. Si le tuyau d'évacuation d'air doit être entouré, par exemple d'un revêtement métallique, veuillez vérifier que l'extrémité du tuyau atteint une hauteur minimum de 400 mm [16 po] au-dessus de ce revêtement (illustration 7).

**REMARQUE IMPORTANTE:** Veillez à faire passer le tuyau à travers le toit conformément aux règlements relatifs à la construction. En cas de doute, veuillez contacter un professionnel agréé.

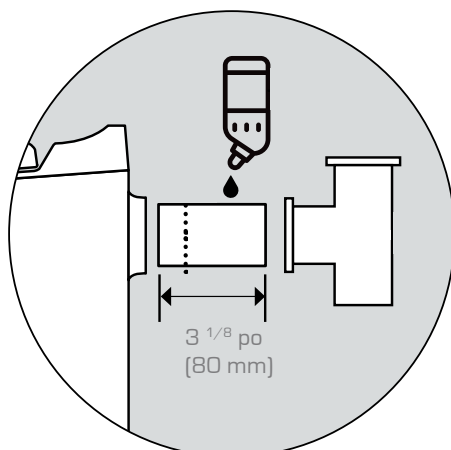


Illustration 6

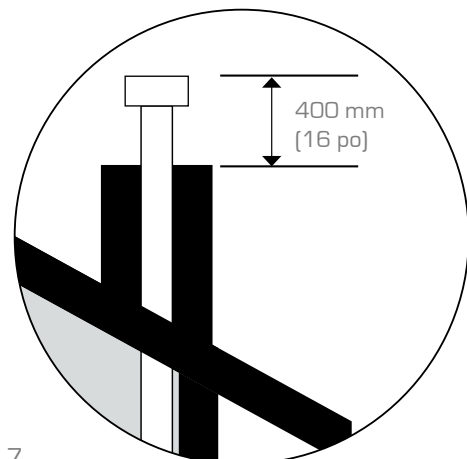


Illustration 7

# ADMISSION D'AIR

## Avant l'installation

La bouche d'admission d'air doit être installée le plus près possible de la toilette Cinderella, afin de garantir un approvisionnement en air de qualité pour la toilette et réduit l'impact environnemental dans la pièce où elle est installée. Il est important de ne pas installer d'autres appareils dépendants de l'air dans la même pièce, par exemple un ventilateur d'extraction ou une cheminée. La toilette Cinderella Classic aspire l'air principalement par le dessous. Il est donc possible de placer l'admission d'air en dessous de la toilette (illustration 8). Cela vous permettra d'isoler l'air le plus possible dans la toilette et de réduire ainsi l'impact environnemental dans la pièce où elle se trouve.

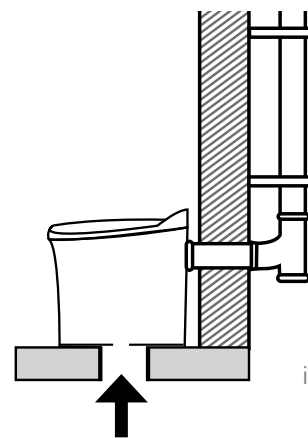


illustration 8

## Instructions concernant l'admission d'air

- La bouche d'admission doit mesurer au minimum 160 mm (6 5/16 po) de diamètre/ 201 cm<sup>2</sup> (31 po<sup>2</sup>). Nous recommandons d'utiliser la bouche incluse.
- La bouche doit être dégagée en permanence. Assurez-vous de nettoyer la bouche d'aération à intervalles réguliers.
- Veillez à ce qu'il n'existe aucun conflit entre l'alimentation en air de la toilette et celle d'autres installations, par exemple une cheminée ou un ventilateur d'extraction (illustration 9).
- Rappelez-vous que l'ouverture des fenêtres peut perturber le fonctionnement des toilettes.
- Évitez d'utiliser un ventilateur différent pour extraire l'air de la pièce où la toilette est installée.
- S'il existe une ventilation ouverte sous la toilette, il pourrait s'avérer utile de placer une moustiquaire sur l'orifice pour tenir à l'écart insectes et autres indésirables. Il est important que cette moustiquaire ne soit pas trop fine, pour que le flux d'air ne soit pas trop faible.

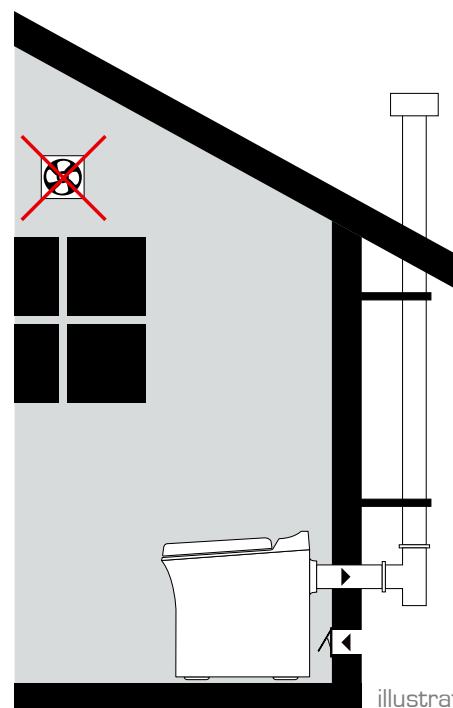


illustration 9

### Protection du sol

Si la pièce en T est installée à l'intérieur, vous devez placer un bol en dessous pour recueillir toute condensation. Enfoncez la gaine de ventilateur fournie dans le tuyau jusqu'à ce qu'elle ne puisse aller plus loin (illustration 10).

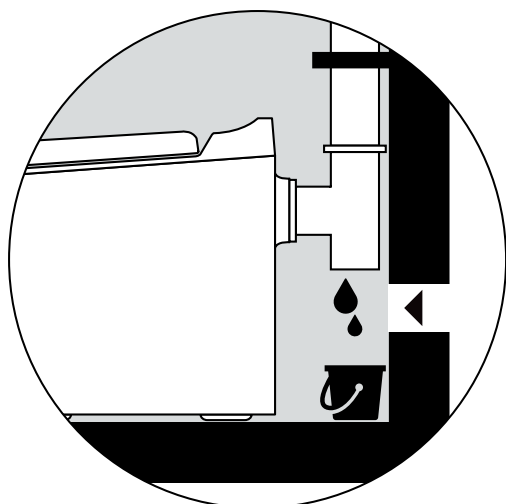


Illustration 10

### Bouche réglable

L'ouverture de la bouche incluse peut être ajustée, mais doit toujours être positionnée sur le niveau 2, à environ 2 pouces (50 mm) ou plus (illustration 11). Si la bouche réglable est déjà installée dans la pièce, elle doit rester ouverte en permanence, et rien ne doit bloquer la circulation de l'air dans la bouche.

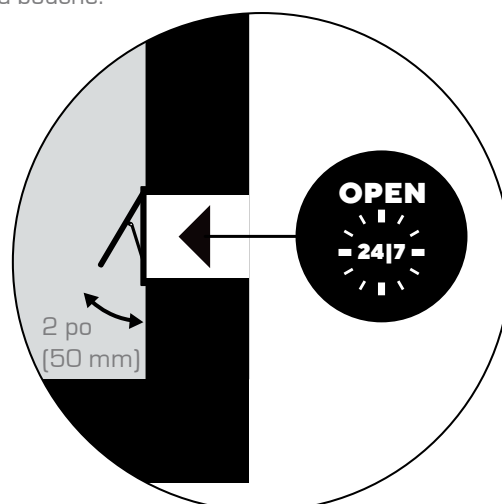


Illustration 11

# Installation de la bouche murale extérieure

Pour un maximum de fonctionnalité et de confort, il est préférable de placer le conduit d'évacuation près du sol derrière la toilette (illustration 12). Remarque : La conduite d'évacuation peut également être installée dans un autre endroit de la pièce tant qu'il n'y a aucune autre installation dépendante d'air près de celle-ci et qu'une porte ou autre garde l'air dans la pièce.

1. Percez quatre trous de guidage dans un carré de 159 mm [6 1/4 pouces] à l'aide d'un long foret dans le mur. Veillez à tenir la perceuse perpendiculaire au sol (illustration 13)
2. Utilisez la scie sauteuse pour couper entre les quatre trous (illustration 14).
3. Attachez le kit de la conduite d'évacuation (illustration 15/16).



Avertissement : Avant de percer les trous, assurez-vous de ne pas heurter les fils électriques ou les tuyaux d'eau. Le non-respect des consignes de sécurité peut entraîner des blessures graves voire mortelles

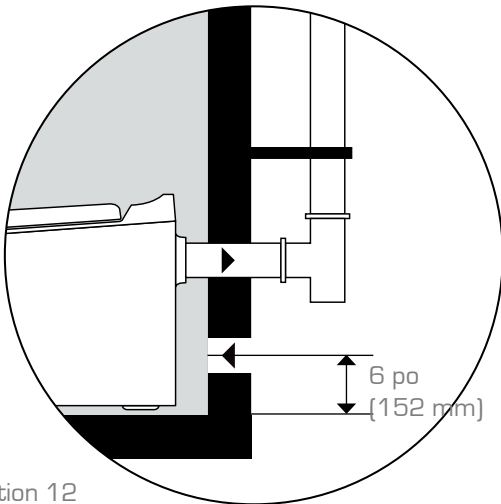


Illustration 12

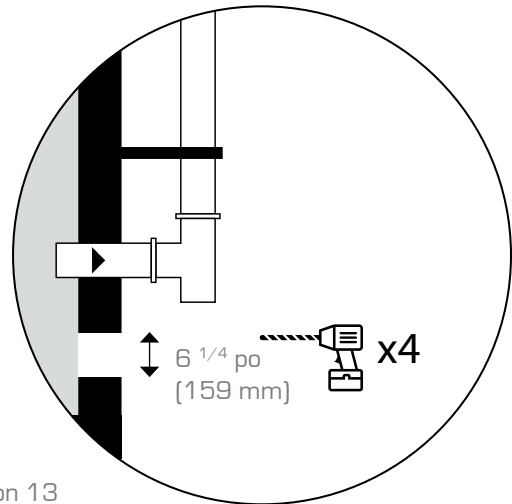


Illustration 13

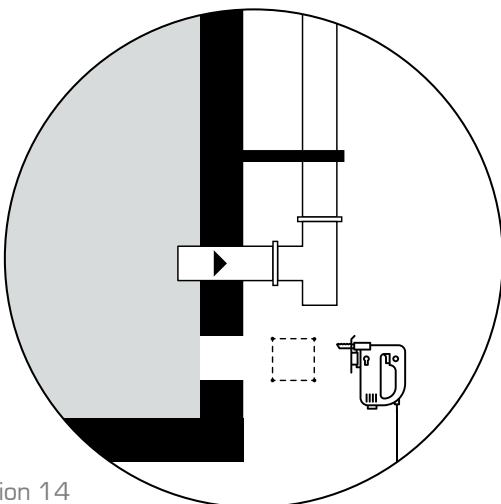


Illustration 14

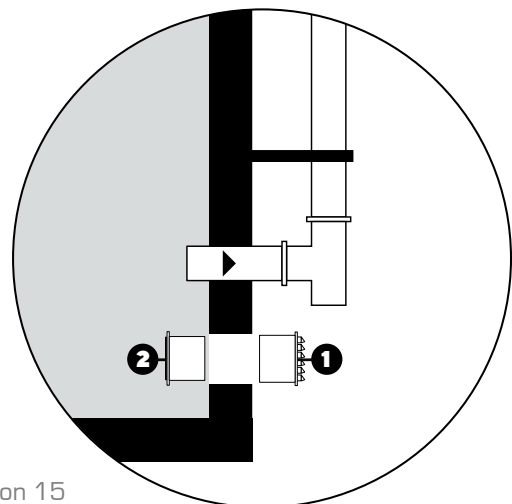


Illustration 15

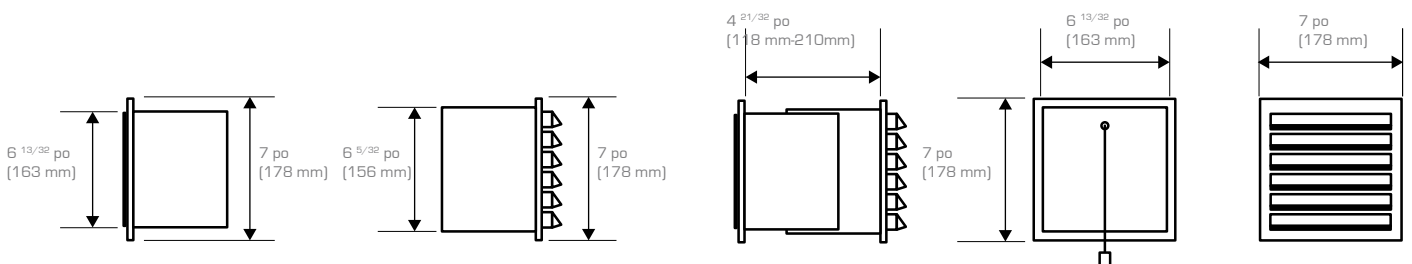


Illustration 16

# FINALISATION DE L'INSTALLATION

## Branchement de la toilette

Lorsque l'installation des tuyaux est terminée, poussez légèrement la toilette sur le tuyau d'évacuation. La structure de la toilette permet d'insérer le tuyau de 35 mm (1<sup>3/8</sup> pouce) dans le Venturi de la toilette avant de s'arrêter (illustration 17). Ne forcez pas le tuyau dans la toilette pour éviter de l'endommager. Pour insérer plus facilement le tuyau, lubrifiez d'abord le manchon.

N'oubliez pas de brancher au secteur avant de l'utiliser; un voyant vert s'allumera sur le panneau de commande lors de sa mise sous secteur (illustration 18).

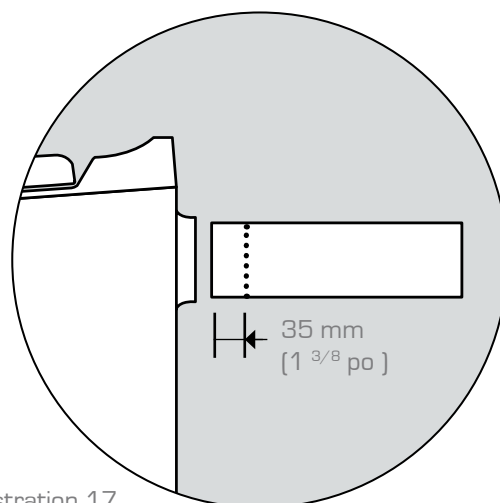


Illustration 17

Illustration 18



## Fixation de la toilette

Pour fixer la Cinderella Classic au plancher :

1. Retirez la boîte à cendres.
2. Marquez la position des trous au sol (illustration 19). Retirez la toilette
3. Percez les trous avec le foret adapté au type de plancher. Utilisez les vis appropriées.



Illustration 19

## Sangle de sécurité pour le transport

La boîte à cendres est équipée d'une sangle de sécurité qui doit être retirée avant utilisation :

1. Retirez le couvercle avant.
2. Coupez et retirez les sangles en plastique qui rattachent la boîte à cendres à la structure en acier.

## Vérification de l'installation

Pour vérifier le bon fonctionnement du système, vous pouvez effectuer un test de performance facile.

Test de performance :

1. Relevez l'abattant et le siège - Le voyant rouge doit être allumé et le ventilateur doit commencer à souffler.
2. Insérez simplement un sac papier original Cinderella dans la toilette.
3. Ajoutez de l'eau (1,2 litre (2,5 pintes)) et du papier toilette (environ 1 mètre (1 yard))
4. Rabaissez l'abattant et appuyez sur la Touche Start/Marche - un voyant jaune s'allumera pour indiquer que l'incinération a commencé.
5. L'incinération durera environ 60 - 70 minutes puis la toilette refroidira.
6. Attendez que la toilette soit refroidie et que le ventilateur se soit arrêté (environ 60-90 minutes), vérifiez le résultat dans la boîte à cendres. Elle devrait contenir des cendres blanches.

Si la toilette n'a pas réussi le test de performance, veuillez vérifier que tous les paramètres d'installation sont conformes aux instructions du fabricant et que l'alimentation se situe entre 220 et 240 VCA.

**REMARQUE IMPORTANTE:** Le test de performance doit être effectué lorsque la toilette est neuve et n'a jamais encore été utilisée. Les résultats peuvent varier lorsque ce test est effectué sur une toilette qui a déjà été utilisée.





Distributor:

Manufacturer:

**Cinderella**<sup>®</sup>  
EcoGroup



# Cinderella<sup>®</sup>

INCINERATION TOILETS

**Cinderella Eco Canada Ltd.**

77 City Centre Drive, Suite 501, East Tower, Mississauga, ON L5B 1M5, Canada  
Phone: (905) 267-3465, E-mail: support.canada@cinderellaeco.com