



INNOVATIONS FOR LIVING™

STARTER SHINGLE ROLL FOR EAVE & RAKE EDGE



Cut Time—Not Tabs

Introducing Starter Shingle Roll from Owens Corning, the largest manufacturer of world-class roofing materials. This product eliminates the need for cutting shingle tabs or inverting them to create a starter row. So you save time.

Easy Application

Application is a snap too. Simply apply a single course of Starter Shingle Roll along a clean, dry and smooth eave line or rake edge, after removing the release sheet. Apply the Starter Shingle Roll directly onto the WeatherLock® underlayment or a layer of felt. Once it is pressed into place, you're ready to begin shingling. (See application instructions on back.)

The Starter Shingle Roll advantages:

- Eliminates time-consuming tab cutting or shingle flopping
- Comes in handy individual rolls, measuring 7.2" x 33'4"
- Easy peel-and-stick application
- Requires no special tools, hardware or training
- Compatible with the Oakridge® PRO Series™, WeatherGuard® HP, Prominence®, Supreme® and Classic® shingles

STARTER SHINGLE ROLL APPLICATION INSTRUCTIONS

Before installing this product, check roofing manufacturer's application instructions and local building codes for their roofing requirements.

Starter Shingle Roll:

- 1. Eave Application:** Align Starter Shingle Roll with eave edge, granular side up with the seal strip closest to the outer edge of the roof. Remove the release backer and press or roll Starter Shingle Roll to assure full adhesion to the underlayment.
See Fig. 1
- 2. Rake Application:** Install drip edge first, then apply Starter Shingle Roll with sealant strip closest to the outer edge of roof. Remove the release backer and press or roll Starter Shingle Roll to assure full adhesion to the underlayment.
See Fig. 2
- If nailing is necessary, install nails within 1" of the top edge of Starter Shingle Roll.
- Apply shingles once Starter Shingle Roll is installed. Apply shingles according to the shingle manufacturer's instructions.

Fig. 1 Apply to eave

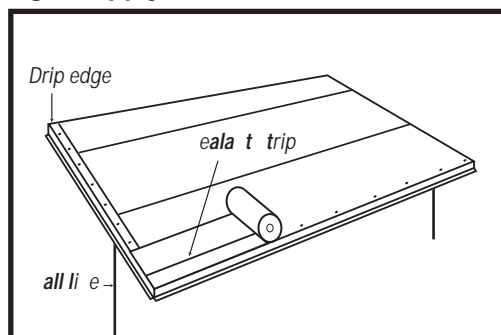
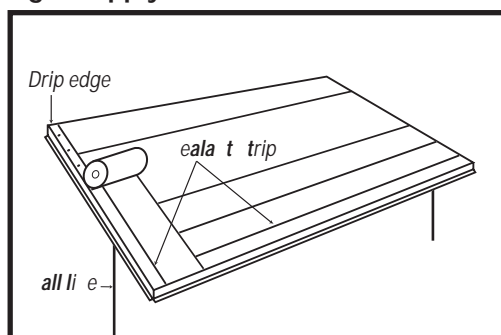


Fig. 2 Apply to rake



Precautionary Note:

The manufacturer will not be responsible for problems resulting from any deviation from the recommended application instructions and the following precautions:

Storage: Store this product in a dry, well-ventilated area and stand upright. Do not store for extended periods over 90°F (32°C).

Nails must be corrosion-resistant, 11- or 12-gauge, with heads at least 3/8" in diameter.

Staples must be 16-gauge minimum, 15/16" minimum crown width and sufficient length to penetrate 3/4" into wood decking or through APA-rated roof sheathing. Staples are to be corrosion protected.

All Fasteners must penetrate at least 3/4" into the wood deck or completely through plywood sheathing.

Notice: Owens Corning recommends the use of nails as the preferred method of attaching shingles to wood decking or other nailable surface.



CAUTION



ROOF SURFACE MAY BE SLIPPERY: Especially when wet or icy. Use a fall protection system when installing. Wear rubber-soled shoes. Walk with care.

FALLING HAZARD: Secure area below work and materials on roof. Wear a hardhat.

WARNING: This product contains a chemical known to the State of California to cause cancer.

CAUTION: May cause slight irritation. Contains Asphalt CAS#8052-42-4, Petroleum Oil CAS#64742-04-7, Styrene

Butadiene Polymer CAS#9003-55-8, Proprietary ingredient, Polymer Film. Repeated skin contact with petroleum oil in rubberized asphalt may increase risk of skin cancer. Avoid prolonged or repeated contact with skin. Eye contact with residue on hands may cause irritation. For more health and physical information, consult your employer or the Material Safety Data Sheet (MSDS) available free from your dealer or by writing: Owens Corning World Headquarters, ATTN: Product Stewardship, One Owens Corning Parkway, Toledo, Ohio 43659; or calling: 1-419-248-8234. If you have a fax machine you can also obtain a copy of the MSDS by calling 1-800-241-MSDS.



OWENS CORNING WORLD HEADQUARTERS
ONE OWENS CORNING PARKWAY
TOLEDO, OHIO, USA 43659



INNOVATIONS FOR LIVING™ www.owenscorning.com 1-800-GET-PINK

Printed in U.S.A. March 2004. THE PINK PANTHER™ & ©1964-2004 Metro-Goldwyn-Mayer Studios Inc. All Rights Reserved. The color PINK is a registered trademark of Owens Corning. ©2004 Owens Corning.

Pub. No. 61119



New!



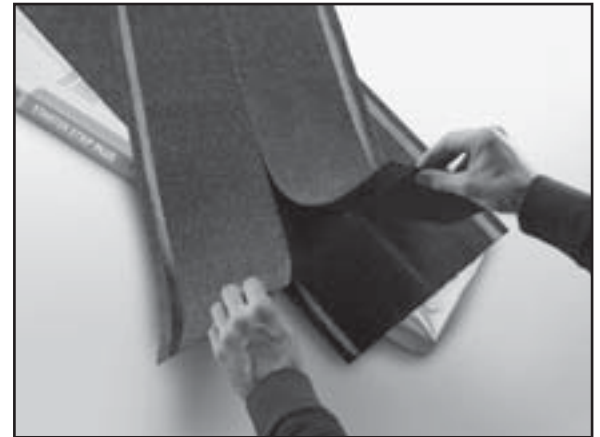
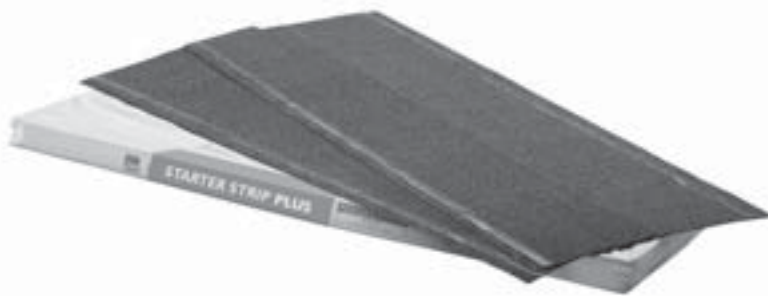
INNOVATIONS FOR LIVING®



Starter Strip Plus Shingle

Goes on right—right away

Introducing the new Owens Corning™ Starter Strip Plus shingle. This product eliminates the need for cutting shingle tabs to create a starter row.



1. Starter Strip Plus is packaged two pieces per shingle, 16 shingles per bundle, 100 lineal feet.

2. Perforation down the center allows for easy separation.



3. Once apart, the Starter Strip Plus shingles should be aligned next to one another with the sealant toward the eave.

Starter Strip Plus shingle advantages:

Speeds installation and helps improve safety.

Starter Strip Plus shingle eliminates the need to cut off tabs or headlap.

Clean look. Starter Strip Plus shingle provides a machine-cut straight edge at the eave and along the rake.

Saves labor. It's easy for a single person to position Starter Strip shingle on the roof.

Maximum compatibility. Extra-wide starter can be used with any shingle that has an exposure of up to 6"

Improves job quality. Puts the sealant appropriately at the eaves.

Cost savings. There's no need to cut down field shingles to use as a starter strip.

Exceptional bonding strength. Continuous sealant ensures an effective seal between the starter and the first course of shingles.

Application Instructions

Owens Corning™ Starter Strip Plus can be used with any shingle that has an exposure of up to 6". Starter Strip shingles cannot be used with Owens Corning™ Berkshire®, Woodmoor® or Woodcrest® shingles.

Installation of Starter Strip Plus shingle

Starter Strip Plus shingle is designed to be broken into two pieces, and each piece has its own sealant strip. When separated, each starter shingle is 7¾" x 39⅜", and each bundle will cover approximately 100 lineal feet. See Fig. 1.

This starter can be used with shingles that have an exposure of no more than 6"; if the exposure is greater than 6", a full starter (15½" x 39⅜") would be required. See Fig. 1.

1. Start first Starter Strip Plus shingle with 6" removed from the rake edge and flush with the drip edge. Starter Strip Plus shingle can extend no greater than ¾" beyond the edge of the eave. Use 5 fasteners placed 2" to 3" from the edge of the eave. See Fig. 2.
2. During application, the installer must ensure that when the starter is applied, the overlaying shingles' end joints do not line up with the starter end joints. End joints must be a minimum of 4" from the overlaying shingle.
3. When the starter is used with 3-tab shingles, the installer must ensure that nails in the starter are not exposed between the cutouts of the overlaying shingle.

Product Specifications

Size	15½" x 39⅜" (394 mm x 1000 mm)
Piece Size	7¾" x 39⅜" (197 mm x 1000 mm)
Shingles per Bundle	16
Pieces per Bundle	32 (7¾" x 39⅜" [197 mm x 1000 mm])
Lineal Feet per Bundle	Approximately 100 (30.5 m)

Applicable Standards and Codes

ASTM D 3462
UL 790, Class A
ASTM D 3161, Class F

Fig. 1 Starter Strip Plus Shingle

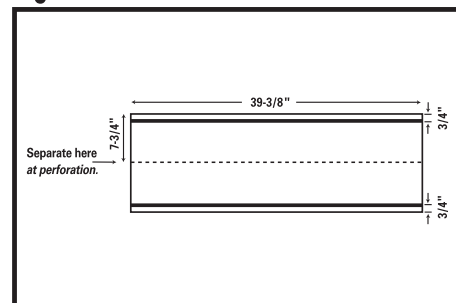
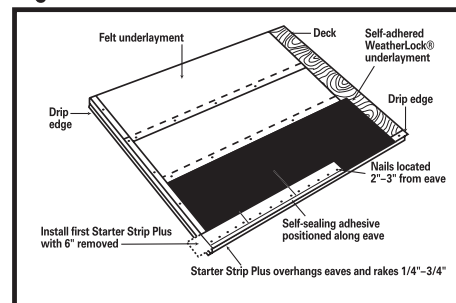


Fig. 2 Starter Strip Plus Shingle Application



Caution

Roof surface may be slippery:

Especially when wet or icy. Use a fall protection system when installing. Wear rubber-soled shoes. Walk with care.

Falling hazard: Secure area below work and materials on roof. Wear a hard hat.

Warning: This product contains a chemical known to the State of California to cause cancer.

Notice

It is important that attic space be properly ventilated to maintain product performance and to prevent damage from moisture condensation and excessively high attic temperatures. In this regard, FHA and National Building Code Minimum Property Standards must be met.



OWENS CORNING ROOFING AND ASPHALT, LLC
 ONE OWENS CORNING PARKWAY
 TOLEDO, OHIO, USA 43659
 1-800-GET-PINK®
www.roofing.owenscorning.com

Pub. No. 10011118. Printed in U.S.A. May 2009. THE PINK PANTHER™ & © 1964–2009 Metro-Goldwyn-Mayer Studios Inc. All Rights Reserved. The color PINK is a registered trademark of Owens Corning. ©2009 Owens Corning.

