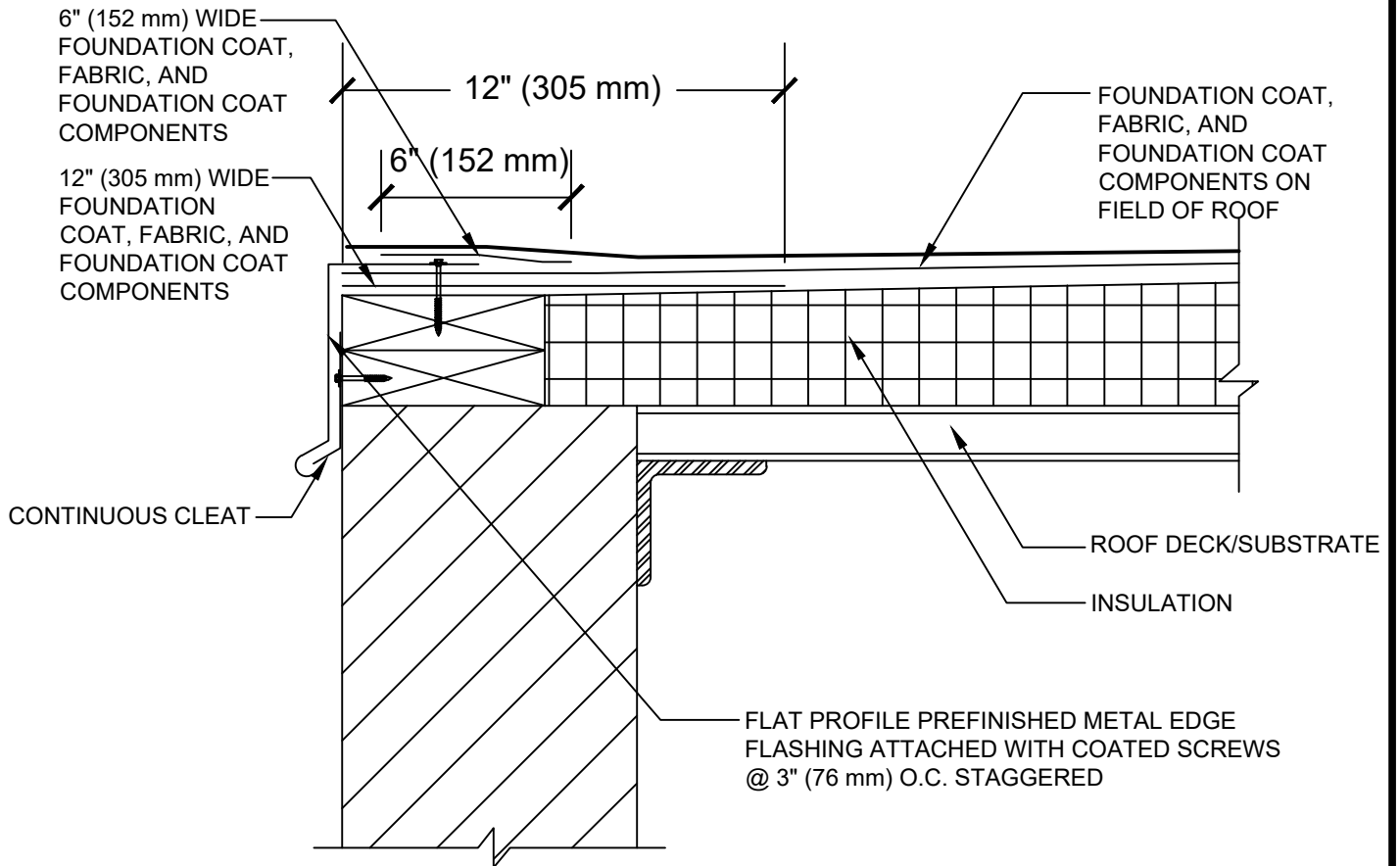


CLICK ANYWHERE ON THIS PAGE TO RETURN TO
DRIP EDGE INSTALLATION INFORMATION
at InspectApedia.com



NOTE:

1. ALL FLASHING SHALL BE DESIGNED FOR THE APPLICABLE CONDITIONS. METAL THICKNESS, FASTENERS AND LAPPING SHALL BE AS SPECIFIED BY THE ROOF DESIGNER.
2. REFER TO THE SPECIFICATIONS FOR SPECIFIC EXECUTION REQUIREMENTS.
3. HYDROSTOP™ PREMIUMCOAT® SYSTEM - FOUNDATION COAT, FABRIC, FOUNDATION COAT, AND FINISH COAT COMPONENTS.
4. PRIMING - REFER TO HYDROSTOP™ SPECIFICATIONS FOR DECK PRIMING REQUIREMENTS.



STANDARD DRIP EDGE DETAIL

DRAWING #
201

ISSUE / REVISION DATE
2/20/20

SCALE
N.T.S.

LEGEND

— FINISH COAT COMPONENT OVER ENTIRE ROOF, COLOR AS SPECIFIED