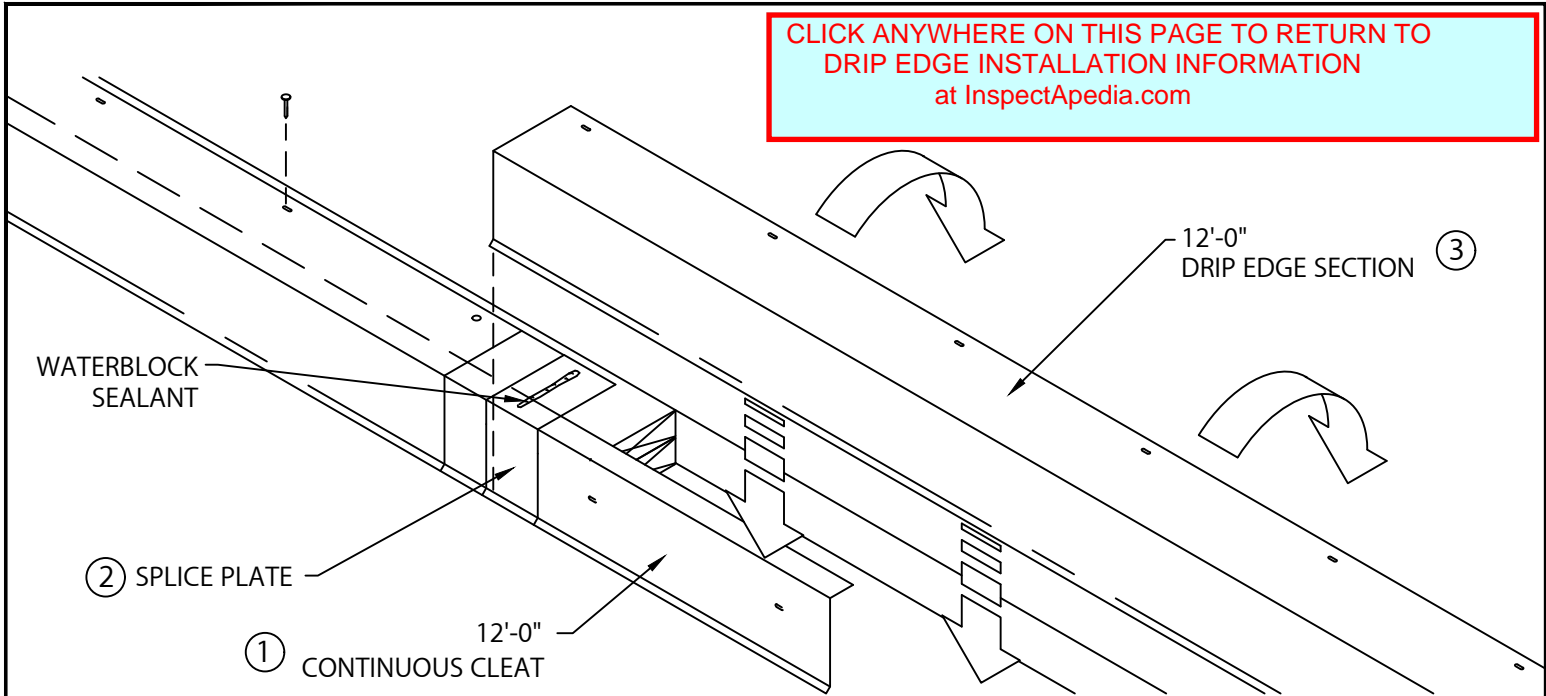


EVERGUARD DRIP EDGE

WITH CONTINUOUS CLEAT

INSTALLATION INSTRUCTIONS

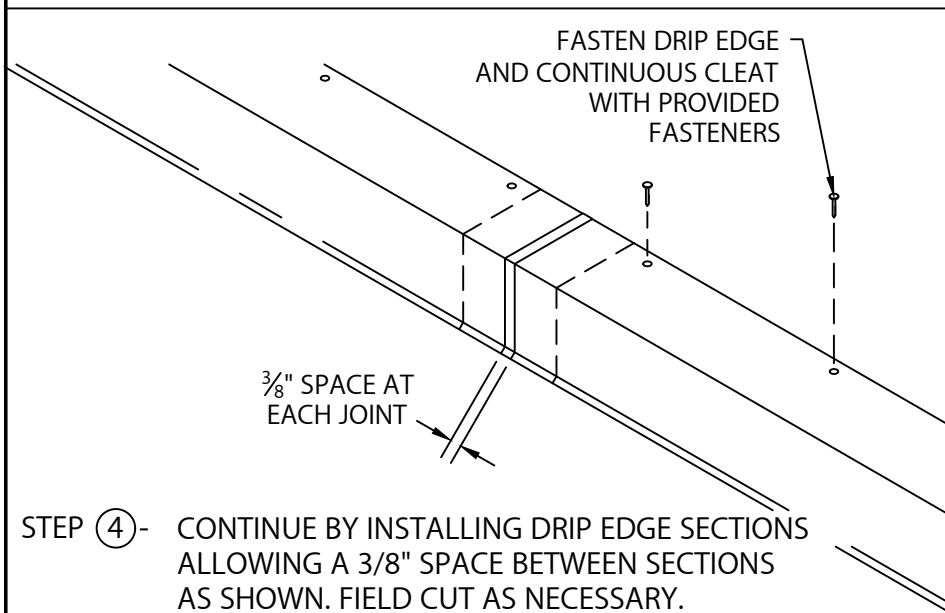
CLICK ANYWHERE ON THIS PAGE TO RETURN TO
DRIP EDGE INSTALLATION INFORMATION
at InspectApedia.com



STEP ① - POSITION AND FASTEN CONTINUOUS CLEAT 12" O.C. AS SHOWN WITH PROVIDED FASTENERS.

STEP ② - LOCATE AND FASTEN 6" WIDE SPLICE PLATES AT EACH JOINT. WATERBLOCK SEALANT TO BE FIELD APPLIED TO TOP OF EACH SPLICE PLATE AS SHOWN.

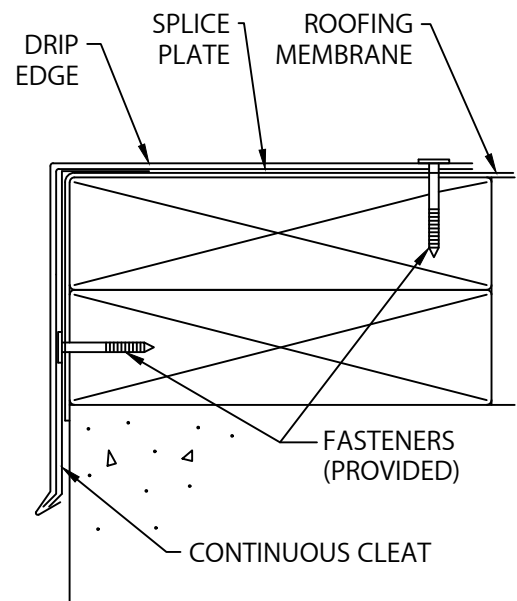
STEP ③ - HOOK DRIP EDGE OF EACH DRIP EDGE SECTION ONTO CONTINUOUS CLEAT, ROTATE INTO PLACE, AND FASTEN WITH PROVIDED FASTENERS.



STEP ④ - CONTINUE BY INSTALLING DRIP EDGE SECTIONS ALLOWING A 3/8" SPACE BETWEEN SECTIONS AS SHOWN. FIELD CUT AS NECESSARY.

CAUTION : REMOVE PROTECTIVE FILM IMMEDIATELY AFTER INSTALLATION. INSTALLERS SHALL WEAR PROTECTIVE EYEWEAR TO PREVENT INJURY.

TYPICAL INSTALLATION



GAF MATERIALS CORPORATION

Customer Service
Phone: 800-558-2162 Fax: 800-373-9156

DATE: 04/06/22

DRN BY: MLM

CKD BY: MM

SHT.# ___ OF ___

DWG# 25110-10233

B