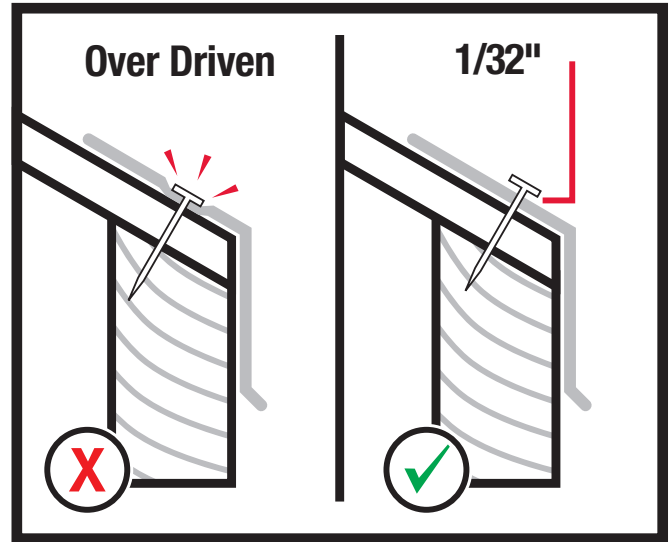
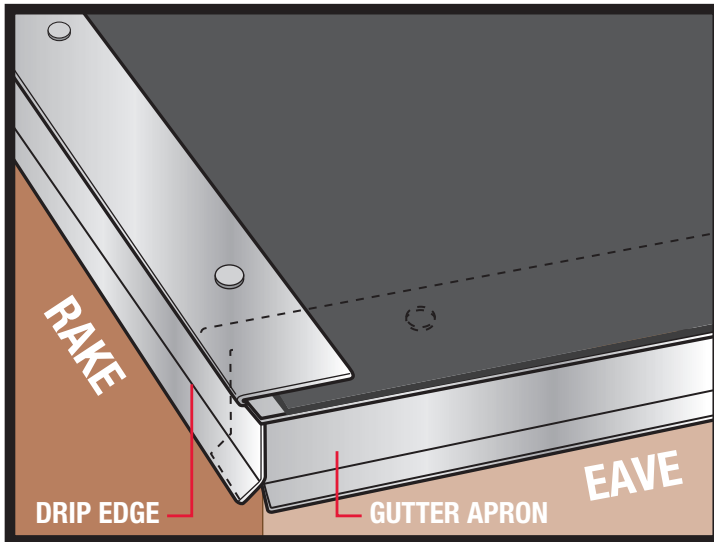


Aluminum flashing expands and contracts with temperature changes. It must be "hung" rather than "attached" to accommodate this movement.



- Pre-drill holes along the flange, **slightly larger than the nail shank**.
- The first nail should be positioned within 4 inches of the end, then spaced 18-24 inches.
- Use aluminum nails of sufficient length to penetrate at least 3/4 inch into the roof deck.
- **Nails must not be over driven.** Allow 1/32 in. clearance.
- Do not butt lengths of Drip Edge or Gutter Apron up against each other, use a **1 1/2 inch overlap**.

**Note:** Install shingles over the Drip Edge or Gutter Apron completely covering the flanges.

CLICK ANYWHERE ON THIS PAGE TO RETURN TO  
DRIP EDGE INSTALLATION INFORMATION  
at [InspectApedia.com](https://www.inspectapedia.com)



### CAUTION!

Working above grade is inherently dangerous, be sure that proper fall protection measures are in place. When working with power tools and sheet metal, gloves and eye protection are absolutely required.

These installation guidelines are for use with typical or standard applications. It is always recommended to seek advice from a licensed professional, and to check with your local building inspector or building permit office for approvals and possible variations that may apply.