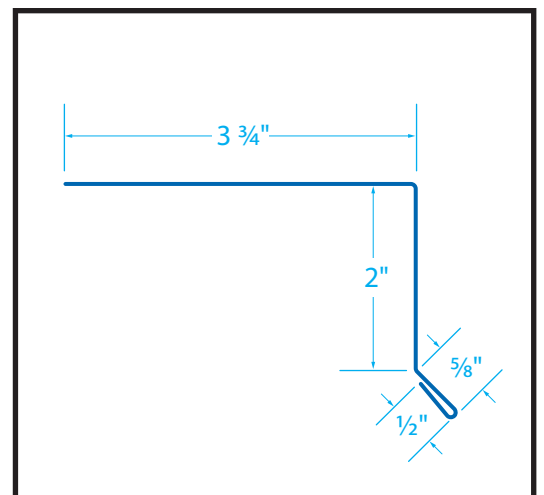


Eave Flashing has **very sharp edges**. Use gloves to prevent injury. This product is not recommended for direct contact with treated lumber.

Working above grade is inherently dangerous, be sure that **proper fall protection measures** are in place.

When working with power tools and sheet metal, gloves and eye protection are **absolutely required**.

These basic installation guidelines are for use with typical or standard applications. It is always recommended to seek advice from a licensed professional, and to check with your local building inspector or building permit office for approvals and possible variations that may apply.



EF-3 Eave Flashing is used with: Gibraltar 2 1/2" Corrugated Panels