

Instructions for Installing ProSense Twin Alternating Water Softening Systems

Service Manual

TABLE OF CONTENTS

JOB SPECIFICATION SHEET	1
EQUIPMENT CONFIGURATION	1
SAFETY INFORMATION.....	2
HOW TO USE THIS MANUAL	2
GENERAL AND COMMERCIAL INSTALLATION INSTRUCTIONS.....	2
CONTROLLER FEATURES	4
PLACING WATER CONDITIONING SYSTEM INTO OPERATION.....	5
PROGRAMMING MODE.....	6
DISINFECTION OF WATER CONDITIONING SYSTEMS.....	11
WIRING DIAGRAMS	12
POWERHEAD ASSEMBLY	13
ProSense CONTROL VALVE ASSEMBLY	14
ProSense SECOND TANK ASSEMBLY	15
3/4" METER ASSEMBLY.....	16
1" METER ASSEMBLY	17
ProSense BYPASS VALVE ASSEMBLY.....	18
BYPASS VALVE ASSEMBLY	19
PROBE KIT	20
TROUBLESHOOTING	21
ProSense METER FLOW DATA.....	23
ProSense INJECTOR FLOW DATA (1600 SERIES INJECTORS).....	24
ProSense CONTROL DIMENSIONS	25
WATER CONDITIONER FLOW DIAGRAMS	26
SERVICE ASSEMBLIES	28

JOB SPECIFICATION SHEET

Job No: _____

Model No: _____

Water Test: _____

Capacity Per Unit: _____

Mineral Tank
Size: _____ Diameter: _____ Height: _____

Brine Tank Size and Salt Setting per Regeneration: _____

ProSense Control Valve Specifications:

1. Timer Gallon Setting: _____ Gallons
2. Regeneration Program Setting:
 - a. Brine and Slow Rinse: _____ Minutes
 - b. Backwash: _____ Minutes
 - c. Rapid Rinse: _____ Minutes
 - d. Brine Tank Refill: _____ Minutes
3. Drain Line Flow Control: _____ gpm
4. Brine Refill Rate: _____ gpm
5. Injector Size: _____

EQUIPMENT CONFIGURATION

ProSense Water Softener Configuration

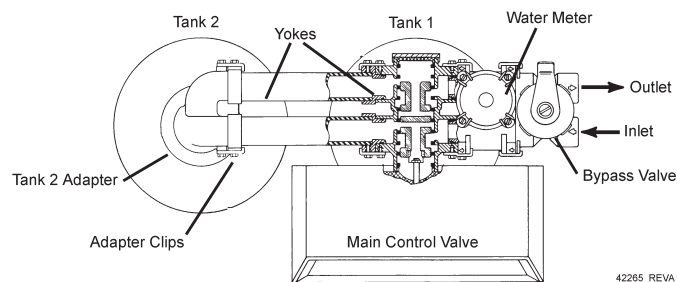


Figure 1

SAFETY INFORMATION

This water conditioner's control valve conforms to UL/CE Standards. Generic valves were tested and certified for compliance as verified by the agency listing.

- Please review the entire Installation and Operation Manual before installing the water conditioning system.
- As with all plumbing projects, it is recommended that a trained professional water treatment dealer install the water conditioning system. Please follow all local plumbing codes for installing this water conditioning system.
- This system will not make microbiologically unsafe water safe. Water that is unsafe must be treated separately from this conditioner.
- This water conditioning system is to be used only for potable water.
- Inspect the water conditioning system for carrier shortage or shipping damage before beginning installation.
- Use only lead-free solder and flux, as required by federal and state codes, when installing soldered copper plumbing.
- Use caution when installing soldered metal piping near the water conditioning system. Heat can adversely affect the plastic control valve and bypass valve.
- All plastic connections should be hand tightened. Teflon® tape may be used on connections that do not use an O-ring seal. Do not use pipe dope type sealants on the valve body. **Do not use pliers or pipe wrenches.**
- Do not use petroleum-based lubricants such as Vaseline, oils or hydrocarbon-based lubricants. Use only 100% silicone lubricants.
- Use only the power transformer supplied with this water conditioning system.
- All electrical connections must be completed according to local codes.
- The power outlet must be grounded.
- Install an appropriate grounding strap across the inlet and outlet piping of the water conditioning system to ensure that a proper ground is maintained.
- To disconnect power, unplug the AC adapter from its power source.
- Observe drain line requirements.
- Do not support the weight of the system on the control valve fittings, plumbing, or the bypass.
- Do not allow this water conditioning system to freeze. Damage from freezing will void this water conditioning system's warranty.
- Operating ambient temperature: 34° to 120°F (1° to 49°C).
- Operating water temperature: 34° to 100°F (1° to 38°C).
- Operating water pressure range : 25 to 120 psi (1.38 to 8.27 bar). In Canada the acceptable operating water pressure range is 25 to 100 psi (1.38 to 6.89 bar).
- Observe all warnings that appear in this manual.
- Keep the media tank in the upright position. Do not turn upside down or drop. Turning the tank upside down or laying the tank on its side can cause media to enter the valve.
- Use only regenerants designed for water conditioning. Do not use ice melting salt, block salt or rock salt.

During cold weather it is recommended that the installer warm the valve to room temperature before operating.

Teflon® is a trademark of E.I. duPont de Nemours.

HOW TO USE THIS MANUAL

This installation manual is designed to guide the installer through the process of installing and starting up water conditioning systems featuring the ProSense controller.

This manual is a reference and will not include every system installation situation. The person installing this equipment should have:

- Training on the ProSense control valve.
- Knowledge of water conditioning and how to determine proper control settings.
- Adequate plumbing skills.

PRE-INSTALLATION CONSIDERATIONS

Water Pressure

A minimum of 25 pounds of water pressure is required for regeneration valve to operate effectively.

Electrical Facilities

A continuous 115 volt, 60 Hertz current supply is required. Make certain the current supply is always hot and cannot be turned off with another switch.

Existing Plumbing

Condition of existing plumbing should be free from lime and iron buildup. Piping that is built up heavily with lime and/or iron should be replaced. If piping is clogged with iron, a separate iron filter unit should be installed ahead of the water softener.

Location Of Softener And Drain

The softener should be located close to a drain.

Bypass Valves

Always provide for the installation of a bypass valve.

Tank and Probe Assembly

Use only 100% silicone lubricant on the probe O-rings (Figure 2). Do not allow the lubricant to come into contact with the probe pins. Install the probe assemblies into the tank and secure with the locking clasp (Figure 3).

Important: The pins on the probes will only fit into the bulkhead fittings one way. The pins must go into the matching holes at the bottom of the fitting. The probe with the shortest length of wire must be on top.

NOTE: Do not attempt to tighten or loosen the Bulkhead fittings as they are secured with a locking adhesive.

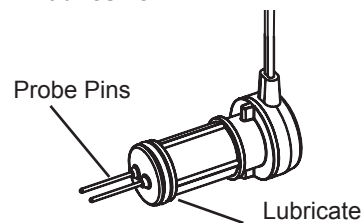


Figure 2

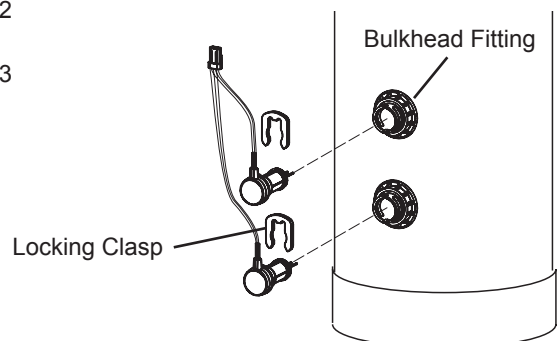


Figure 3

Valve to Tank Installation Instructions

1. Spin the valve onto the tank, ensuring the threads are not cross-threaded.
NOTE: The main control valve and tank adaptor have right-hand threads, or clockwise, to install.
2. Rotate the valve freely without using force until it comes to a stop (this position is considered zero).
3. Rotate the valve clockwise from zero, between 1/4 turn and 1/2 turn (Figure 4).

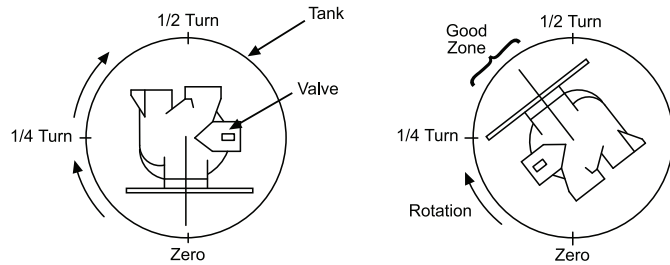


Figure 4

NOTE: If lubricant is required, a silicone compound is strongly recommended. Dow Corning® Silicone Compound (available from Watts), is recommended for best possible results. Dow Corning® 7 Release Compound is used in the manufacture of this control valve. The use of other types of lubricants may attack the control's plastic or rubber components. Petroleum-based lubricants can cause swelling in rubber parts, including O-rings and seals.

⚠ WARNING: Do not exceed water pressure of 125 psi (8.6 bar). Do not exceed 110°F (43.3°C). Do not subject unit to freezing conditions.

GENERAL INSTALLATION INSTRUCTIONS

1. Turn off water heater(s).
2. Turn off the main water supply to the home and open an inside faucet (cold and hot) to relieve any pressure within the plumbing system.
3. Place the system in the desired installation location. Make sure that the location is level and sturdy enough to support the weight of the system once it is in operation.
4. Place the bypass valve in the bypass position.
5. Connect the cold water supply to the inlet of the water softening system. While constructing the supply line, install a master supply valve (user supplied) in the supply line and close it.
6. Connect the feed water line to the home to the outlet of the system.
7. Plumb the drain line to an appropriate drain abiding by all local, city, and state codes. Use a 3/4" drain line for backwash flow rates that exceed 7 gpm or length that exceeds 20' (6 m).
8. Connect the brine tank to the water softener control valve brine inlet port using the factory supplied fittings and tubing. Add enough water to the brine tank so that water covers the top of the air check. **DO NOT ADD SALT AT THIS TIME.**
9. Open the user supplied feed water valve. Check for leaks and repair as needed.

10. Allow the inside hot and cold faucet to remain open until all air has been purged from the plumbing system. Then close the faucet
11. Locate Manual Regeneration Options in this manual and follow the steps to initiate an Immediate Manual Regeneration. Once you have read that section place the system in backwash and unplug the system from its electrical outlet once it has cycled into the backwash position. This will stall the unit in backwash so can be purged from one of the tanks. Look on the right side of the control valve, it has indicators showing which position the control valve is in during Regeneration and which tank is In Service. Tank one has control valve and tank two has adapter.
12. Adjust the user supplied feed water valve to 1/4 open and place the bypass valve into the service position.
13. Air will come out of the drain line until the tank in backwash is completely purged of air. Then water will flow to drain. Allow water to flow to drain for 15 minutes or until the water to drain is clear of resin color throw.
14. Plug the system back into the electrical outlet and manually cycle it through the remaining regeneration steps until it arrives in the service position.
15. Repeat installation steps 11, 12, 13, and 14 of the General Installation Instructions to purge the air from the second tank.
16. Check for leaks and repair as needed.
17. Installation is now complete and the system is ready for programming and one cycle of brine tank refill so that the correct amount of water is in the brine tank for the first regeneration cycle. The brine tank refill must be done after programming the system.

ProSense Controller Operation

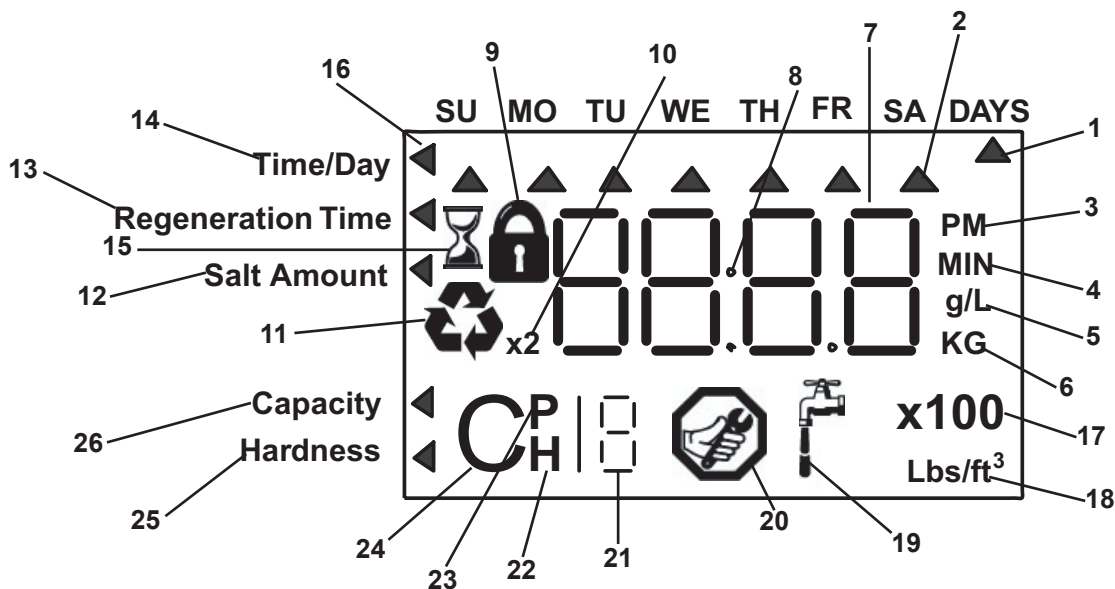
Power Loss Memory Retention

The ProSense controller features battery-free Time of Day and Day of Week retention during temporary loss of power. A super capacitor is designed to keep time for 8 to 24 hours depending on the installation. If the super capacitor is exhausted the ProSense control will display four dashes (- - : - -) immediately upon power up. The Time of Day and Day of Week must be reset.

All other programmed parameters are stored in the static memory and are retained.

CONTROLLER FEATURES

Display Icons & Cursors



NOTE: In normal operation and during programming, only a few of the icons are actually displayed.

1. This cursor is displayed when the days between regeneration are being programmed (used with .5 to 30 day regeneration programming).
2. One of these cursors is displayed to indicate which day will be programmed into the controller.
3. "PM" indicates that the time displayed is between 12:00 noon and 12:00 midnight (there is no AM indicator). PM indicator is not used if clock mode is set to 24-hour.
4. When "MIN" is displayed, the value entered is in minute increments.
5. When g/L is displayed, the value for regenerant amount entered is in grams/Liter of resin.
6. When "Kg" is displayed, the value entered is in kilograms or kilograins.
7. Four digits used to display the time or program value. Also used for error codes.
8. Colon used as part of the time display.
9. Locked/unlocked indicator. In Level I Programming this is displayed when the current parameter is locked-out. It is also used in Level II Programming to indicate if the displayed parameter is locked (icon flashes) when controller is in Level I.
10. When "x2" is displayed, a second regeneration has been called for.
11. The recycle sign is displayed (flashing) when a regeneration at the next time of regeneration has been called for. Also displayed (continuous) when in regeneration.
12. The display cursor is next to "SALT AMOUNT" when programming the amount of regenerant.
13. The display cursor is next to "REGENERATION TIME" when programming the time of regeneration and the days of regeneration.
14. The display cursor is next to "TIME/DAY" when programming the current time and day.
15. The hourglass is displayed when the motor is running. The camshaft should be turning.

16. These cursors appear next to the item that is currently displayed.
17. X100 multiplier for large values.
18. When Lbs/ft³ is displayed the value for regenerant amount entered is in pounds/cubic foot of resin.
19. Faucet is displayed when the current flow rate is displayed. Control may show the faucet and "0", indicating no flow.
20. Maintenance interval display turns on if the months in service exceed the value programmed in P11.
21. Displays the tank in service during normal operating mode. Used with #22, #23 and #24 in programming mode or regeneration.
22. History Values (H). The number displayed by #23 identifies which history value is currently displayed.
23. Parameter (P). Displayed only in Level II Programming. The number displayed by #21 identifies which parameter is currently displayed.
24. Cycle (C). The number displayed by #21 is the current cycle in the regeneration sequence.
25. Hardness setting.
26. Capacity display—shows estimated system capacity

Check Salt Light

A check salt LED light indicator is located at the bottom left of the controller keypad buttons. This light indicates, by illuminating, that the conductivity probes did not see a shift in conductivity during the last service cycle before regeneration was called for by the meter. This could be an indicator that the brine tank is out of salt. It could also indicate that the hardness of the feed water has come down and the hardness value programmed in Level 1 Programming needs to be adjusted to a more accurate value. Upon start up of a new system this light will stay illuminated until the resin has exhausted a few times. Then it will turn off and function normally.

CONTROLLER FEATURES *continued*

Keypad - Buttons

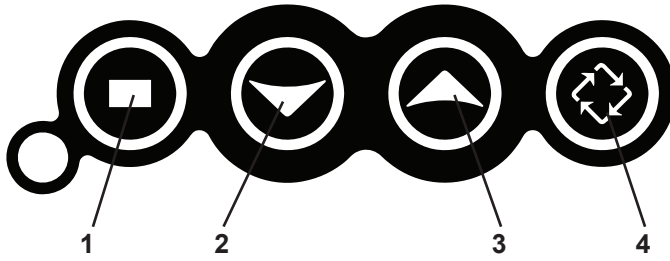


Figure 5

1. SET. Used to accept a setting that normally becomes stored in memory. Also used together with the arrow buttons.
2. DOWN arrow. Generally used to scroll down or decrement through a group of choices.
3. UP arrow. Generally used to scroll up or increment through a group of choices.
4. REGENERATE. Used to command the controller to regenerate. Also used to change the lock mode.

NOTE: If a button is not pushed for thirty seconds, the controller returns to normal operation mode. Pushing the Regenerate button immediately returns the controller to normal operation except when the controller is in regeneration mode or Level II Programming mode.

Programming Conventions

The ProSense controller is programmed using the buttons on the keypad. The programming instructions are described two ways whenever a section has keypad input.

First a table shows simplified instructions. Second, text follows that describes the action. In each table:

"Action" lists the event or action desired.

"Keys" are listed as:

- ⬆ UP for up arrow
- ⬇ DOWN for down arrow
- SET for set
- ⌛ REGEN for regeneration

"Duration" describes how long a button is held down:

- P/R for press and release
- HOLD for press and hold
- X sec for a number of seconds to press the button and hold it down

"Display" calls out the display icons that are visible.

SYSTEM PROGRAMMING

After you have performed the installation steps, the conditioner will need to be programmed.

Follow these steps carefully, as they differ from previous valve instructions.

NOTE: The ProSense controller will be shipped in the service (treated water) position. Do not rotate the camshaft before performing the following steps.

Power-up The Controller

Plug the transformer into a non-switched outlet. The display will show 9100. If this is the first time the control is powered up the display will show " _ _ _ " if the product is for USA otherwise it will show " _ _ ". Finish programming the ProSense controller using the Level I Programming instructions.

NOTE: Err 3 will be displayed when the controller does not detect the cam at the home position and that the motor is turned on. As soon as it detects the cam at the home position, the motor will be turned off and error will disappear. The camshaft will move to service if not already in service. These cam movements may take up to 5 minutes.

Flowmeter Setting

1. Press UP key and DOWN key and hold for 3 seconds. Now the control will enter into the Level II Programming mode.
2. Use DOWN key to scroll to the parameter P16: Flowmeter parameter setting.
3. Use SET key to change the parameter value.
4. Use UP/DOWN key to set the value as per the flowmeter connected to the system.
5. Use SET key to store the modified value.

Tank In Service Parameter Setting

1. Use DOWN key to scroll to the parameter P18: Tank In Service parameter setting.
2. Use SET key to change the parameter value.
3. Use UP/DOWN key to set the value as per the tank number shown by the indicator label on the valve.
4. Use SET key to store the modified value and wait for 30 seconds to let the control back to service mode.

PROGRAMMING MODE

Level I Programming - ProSense

Screen	Buttons to Press	Description	Range
	<p>then ↓ or ↑ press ■</p>	1. Resin Volume Select correct resin volume	Cubic feet: 0.75 to 4.00
	<p>press ■ then ↓ or ↑ press ■</p>	2. Time of Day (12 hr.) Set to time of day Note: Setting includes PM indicator.	
	<p>press ■ then ↓ or ↑ press ■</p>	3. Day of Week Set to actual day of the week	
	<p>press ■ then ↓ or ↑ press ■</p>	4. Time of Regeneration Set to desired time of regeneration	
	<p>press ■ then ↓ or ↑ press ■</p>	5. Days Override Leave at 0 to disable or Set to desired days between regeneration	Days: 0 (Disable) to 30
	<p>press ■ then ↓ or ↑ press ■</p>	7. Salt Dosage Set to desired dosage lbs per cubic feet of resin	Lbs/ft ³ : 3 to 15
	<p>press ↓ to override press ■ then ↓ or ↑ press ■</p>	8. Capacity Capacity calculated by Logix Control Use to OVERRIDE calculated capacity	Kilograms: 1 to 900
	<p>press ■ then ↓ or ↑ press ■</p>	9. Hardness Set to actual water hardness in grains per gallon	Grains/gal: 3 to 200

Controller programming is complete

NOTE: If one of the following conditions occur:
Controller displays Err3 and goes to home position
or
Power outage discharges the supercapacitor and when power is restored and the time of day is reset;
the regen icon will begin flashing. This indicates that a delayed regeneration will occur at the next programmed time of regeneration and the system will regenerate by water usage.

PROGRAMMING MODE *continued*

In Service Display

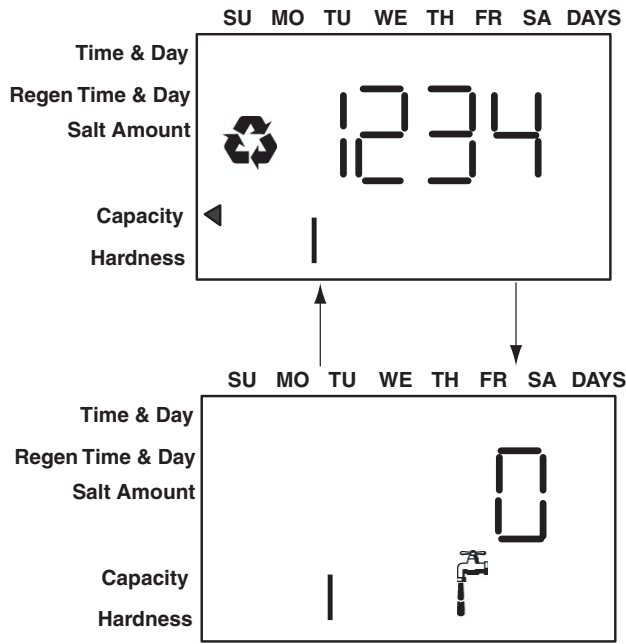


Figure 6

The display shows the number of the tank in service (small digit next to CPH position). The display also alternates between Capacity Remaining and Flow Rate (faucet icon) for the tank in service.

NOTE: The Regen icon is only on when in regeneration.

NOTE: The faucet icon is displayed on all the ProSense controls when there is flow. The ProSense controller will show the faucet icon when the flow rate is displayed, even if the flow rate is zero. The faucet icon will turn off when the capacity is displayed. In service flow rate display can be replaced with a clock display using Level II Programming (Parameter P10).

Programming Overview

The ProSense controller includes multiple program levels that allow water treatment professionals to customize the system for many water conditions. Additionally, historical data can be viewed allowing quick and easy troubleshooting. In most cases Level I Programming is all that is required to set up the water conditioning system for proper operation. A brief description of each program level is listed below.

Level I - Used to program controller for normal applications.

Level II (P-Values) - Allows the installer to customize programming for non-standard applications.

Level III (C-Values) - Allows the installer to adjust length of select cycles for non-standard applications.

Level IV History (H-Values) - Allows access to historical information for troubleshooting the system.

NOTE: If a button is not pushed for thirty seconds, the controller returns to normal operation mode.

Level I Programming

The ProSense controller can be quickly programmed by following the sequential procedure in the section "Placing Water Conditioning System Into Operation". Level I Program parameters are those that can be accessed by pressing the UP or DOWN buttons. Step-by-step instructions are shown on previous page.

- Resin Volume Setting: Set to match the volume (cubic feet) of resin in the mineral tank.
- Time of Day: Includes PM indicator. Can be set to display as a 24-hour clock. See Level II programming.
- Day of Week: Set to actual day of the week.
- Time of Regeneration: Fully adjustable. Default is 2:00 AM.
- Days Override: Range 0.5 to 30 days. Leave at 0 to disable.
- Salt Dosage: Set at pounds of salt per cubic foot of resin in the conditioner tank.

NOTE: When the controller is set up for a twelve-hour clock a PM indicator will illuminate when the displayed time is in the PM hours. There is no AM indicator.

Programming the Lockout Feature

All Level I parameters can be locked out when the controller is in Level II Programming. Simply press the REGEN button during Level II Programming and a lock icon will appear indicating that the specific setting has been locked out. When locked out, the setting cannot be adjusted in Level I Programming. To disable the Lock Out feature, press the REGEN button when in Level II. The lock icon will not be displayed.

Resin Volume

The amount of resin can be determined by the diameter of the tank.

Tank Diameter (inches)	Resin Volume
	Cubic Feet
8	0.75
9	1
10	1.5
12	2

PROGRAMMING MODE *continued*

Level II Programming - P Values

Level II Programming parameters can be adjusted to fine-tune the conditioner's operation. The parameters are accessible by pressing and holding the UP and DOWN buttons until the controller displays a "P" value.

NOTE: The controller must be in the home position to change settings. See Table for Level II parameters. Typically the Level II parameters will not need to be adjusted as the default settings accommodate most applications. Contact your water treatment professional before attempting any programming.

	Description	Range	Minimum Increments	Default	Units	Notes
P9	Units of Measure	0-1	1	(2)		0 = US 1 = Metric
P10	Clock Mode	0-3	1	(2)		0 = 12 hour clock: flow rate displayed 1 = 24 hour clock: flow rate displayed 2 = 12 hour clock; Time of Day displayed 3 = 24 hour clock; Time of Day displayed
P11	Service Interval	0-99	1	0	Months	0 = Disabled. Number of days per month is fixed at 30.
P12*	Resin Tank Sensor Placement	60-01	1	20	% of Capacity	Expressed as a percentage of resin bed capacity remaining after lowest set of pins.
P13	Disable Resin Tank Sensors	0-1	1	0		0 = Resin Tank Sensors Enabled 1 = Resin Tank Sensors Disabled
P14	Refill Rate	1-700	1	(1)	gpm x 100	Used with salt amount to calculate refill time.
P15	Draw Rate	1-700	1	(1)	gpm x 100	Used with salt amount to calculate draw time.
P16	Flow sensor select	1-4	1	4		1 = 1" Autotrol turbine 2 = 2" Autotrol turbine 3 = User defined K-factor 4 = Fleck 3/4" Paddle 5 = Fleck 3/4" Turbine 6 = Fleck 1" Paddle 7 = Fleck 1"/1-1/2" Turbine 8 = Fleck 1-1/2" Paddle 9 = Meter Factor
P17	K-factor or Pulse equivalent	0.01-99.99	0.01	0.01		K-factor P16 = 3; Pulse Equivalent P16 = 9
P18	Tank in Service	1-2	1	1		Select the Tank in Service.
P19	Cleaning Cycle Interval	0-100	1	6		Number of standard regeneration cycles between cleaning regeneration cycles.

*The controller will automatically adjust the Hardness Setting P8 when the sensors in the resin tank detect a hardness front passing. This automatic adjustment to the hardness setting may result in the system passing hard water near the end of the service cycle if the resin tank sensor placement setting P12 is wrong. The sensor placement setting P12 must be reduced to eliminate the problem. Reducing the Capacity Setting P7 or increasing the Hardness setting P8 will only produce a temporary solution.

NOTE: (1) Default selected with initial setting value.

(2) Factory Default is "0" for North America units and "1" for World units.

PROGRAMMING MODE *continued*

Level III Cycle Programming - C Values

Several Level III program parameters can be adjusted to fine-tune valve operation for non-standard applications. Typically these parameters will not need to be adjusted as the default settings accommodate most applications. Contact your Water Treatment Professional before attempting any programming. The parameters are accessible by pressing and holding the UP and SET buttons until the display shows a “C” value.

NOTE: The controller must be in the treated water position to change settings.


C#	Description	Range	Minimum Increments	Default Setting	Notes
C1*	Brine Draw	0-200	1 Min	See Notes	Automatically calculated from resin volume and salt dosage settings and draw rate.
C2	Slow Rinse	0-200		See Notes	Initial time automatically calculated to provide two bed volumes of rinse.
C3	Standard Backwash	0-20		7	Flow rate dictated by size of drain line flow controller.
C4	Standard Fast Rinse	0-200		3	Rinses residual regenerant from tank.
C5*	Refill	0-200		See Notes	Automatically calculated from resin volume and salt dosage settings and refill rate.
C13	Cleaning Backwash	0-200		14	Control uses C13 in place of C3 when the number of standard regenerations is more than or equal to the cleaning cycle interval P19.
C14	Cleaning Fast Rinse	0-200		6	Control uses C14 in place of C4 when the number of standard regenerations is more than or equal to the cleaning cycle interval P19.
*Cannot be changed in Level III Cycle Programming.					

PROGRAMMING MODE *continued*

Level IV Viewing History - H Values

Historical information can be viewed by pressing the SET and DOWN buttons simultaneously, with the ProSense controller in the home position. Release both buttons when the controller displays an “H” value. Press the UP or DOWN buttons to navigate to each setting.

H#	Description	Range	Notes
H0*	Initial Setting Value	Cubic Feet or Liters	Resin Volume, Holding SET for 3 seconds will reset control to factory defaults
H1	Days since last regeneration	0-255	
H2	Current Flow Rate	Depends on turbine used	
H3	Water used today in gallons or m ³ since Time of Regeneration	0-131,070 or 0-1,310.7 m ³	
H4	Water used since last regeneration in gallons or m ³	0-131,070 or 0-1,310.7 m ³	
H5*	Total water used since reset in 100s	0-999900 gallons or 0-9999m ³	Holding SET key for 3 seconds will reset H5 and H6 to zero.
H6*	Total water used since reset in 1,000,000	4,294 x 10 ⁶ gal or 4,264 x 10 ⁴ m ³	Holding SET key for 3 seconds will reset H5 and H6 to zero.
H7	Average usage for Sunday in gallons or m ³	0-131,070 gallons or 0-1,310.70 m ³	
H8	Average usage for Monday in gallons or m ³	0-131,070 gallons or 0-1,310.70 m ³	
H9	Average usage for Tuesday in gallons or m ³	0-131,070 gallons or 0-1,310.70 m ³	
H10	Average usage for Wednesday in gallons or m ³	0-131,070 gallons or 0-1,310.70 m ³	
H11	Average usage for Thursday in gallons or m ³	0-131,070 gallons or 0-1,310.70 m ³	
H12	Average usage for Friday in gallons or m ³	0-131,070 gallons or 0-1,310.70 m ³	
H13	Average usage for Saturday in gallons or m ³	0-131,070 gallons or 0-1,310.70 m ³	
H14	Average service cycle	0-255 days	Last 4 Regens
H15*	Peak Flow Rate	0-200 gpm or 1000Lpm	Holding SET key for 3 seconds will reset H15 to zero.
H16	Day and Time of Peak Flow Rate	Time and day that peak flow occurred	
H17*	Months since service	0-2184 months	Holding SET key for 3 seconds will reset H17, H18 and H19 to zero.
H18	Number of Low Salt Alarms	0-65536	
H19	Number of Reduced Capacity Alarms	0-65536	
H r	Number of regenerations since last serviced	0-65536	Holding Set key for 3 seconds will reset Hr to zero.

*H0, H5, H6, H15, H17 values can be reset by pressing and holding  for 3 seconds while the value is being displayed.

Program Reset

The ProSense controller can be reset to original factory parameters when viewing the H0 parameter. Press and hold the SET button for three seconds while H0 is displayed. Release the button. All settings except for Time of Day and Day of Week will be reset. The ProSense controller will now display the resin volume. Refer to Level I Programming.

NOTE: After a program reset all programmed values will reset to default settings.

Manual Regeneration Options

The ProSense controller features several options that offer additional flexibility for manually regenerating the softener. On twin tank systems the tank in standby will move to service. Then the tank that was in service will be regenerated.

Delayed Manual Regeneration

Press and release the REGEN button to start a delayed manual regeneration. The Regeneration icon on the display will flash indicating a regeneration will start when the time of day reaches the programmed time of regeneration. Pressing the REGEN button again will turn off the regeneration icon and cancel the delayed regeneration.

Immediate Manual Regeneration

Pressing and holding the REGEN button for three seconds starts an immediate manual regeneration. A solid regeneration icon will be displayed. The controller will immediately begin a regeneration on the tank in service. To advance to the next step in the regeneration cycle press and release the SET and UP buttons simultaneously. To advance the system through all steps of regeneration and return to service, press and hold the SET and UP keys simultaneously for three seconds.

Delayed Second Regeneration

Pressing and releasing the REGEN button while the controller is in regeneration will program the control for a delayed second regeneration. A flashing x2 icon next to the regeneration icon will appear indicating a second regeneration will start when the time of day reaches the programmed time of regeneration. The delayed second regeneration will be performed on the new tank in service.

Double Immediate Manual Regeneration

Back-to-Back manual regenerations are initiated by pressing and holding the REGEN button for three seconds while the controller is in the regenerating mode. A solid x2 icon next to the regeneration icon will appear indicating a second manual regeneration will start immediately after current regeneration is complete.

DISINFECTION OF WATER CONDITIONING SYSTEMS

The materials of construction in the modern water conditioning system will not support bacterial growth, nor will these materials contaminate a water supply. During normal use, a conditioner may become fouled with organic matter, or in some cases with bacteria from the water supply. This may result in an off-taste or odor in the water.

Some conditioners may need to be disinfected after installation and some conditioners will require periodic disinfection during their normal life.

Depending upon the conditions of use, the style of conditioner, the type of ion exchanger, and the disinfectant available, a choice can be made among the following methods.

Sodium or Calcium Hypochlorite

These materials are satisfactory for use with polystyrene resins, synthetic gel zeolite, and bentonites.

5.25% Sodium Hypochlorite

These solutions are available under trade names such as Clorox. If stronger solutions are used, such as those sold for commercial laundries, adjust the dosage accordingly.

1. Dosage
 - Polystyrene resin; 1.2 fluid ounce (35.5 mL) per cubic foot.
 - Non-resinous exchangers; 0.8 fluid ounce (23.7 mL) per cubic foot.
2. Regenerant tank conditioners
 - A. Backwash the conditioner and add the required amount of hypochlorite solution to the well of the regenerant tank. The regenerant tank should have water in it to permit the solution to be carried into the conditioner.
 - B. Proceed with the normal regeneration.

Calcium Hypochlorite

Calcium hypochlorite, 70% available chlorine, is available in several forms including tablets and granules. These solid materials may be used directly without dissolving before use.

1. Dosage
 - A. Two grams (approximately 0.1 ounce (3 mL) per cubic foot.
2. Regenerant tank conditioners
 - A. Backwash the conditioner and add the required amount of hypochlorite to the well of the regenerant tank. The regenerant tank should have water in it to permit the chlorine solution to be carried into the conditioner.
 - B. Proceed with the normal regeneration.

WIRING DIAGRAMS

Connecting the ProSense Twin Alternating or Parallel Controller

The twin sensor and extension cables are used for twin unit parallel and alternating applications. Four standard connections are required for operation; the power transformer, the flow sensor, motor/optical sensor, and the connection between tank 1 and tank 2 controls. Figure 7 outlines these standard features.

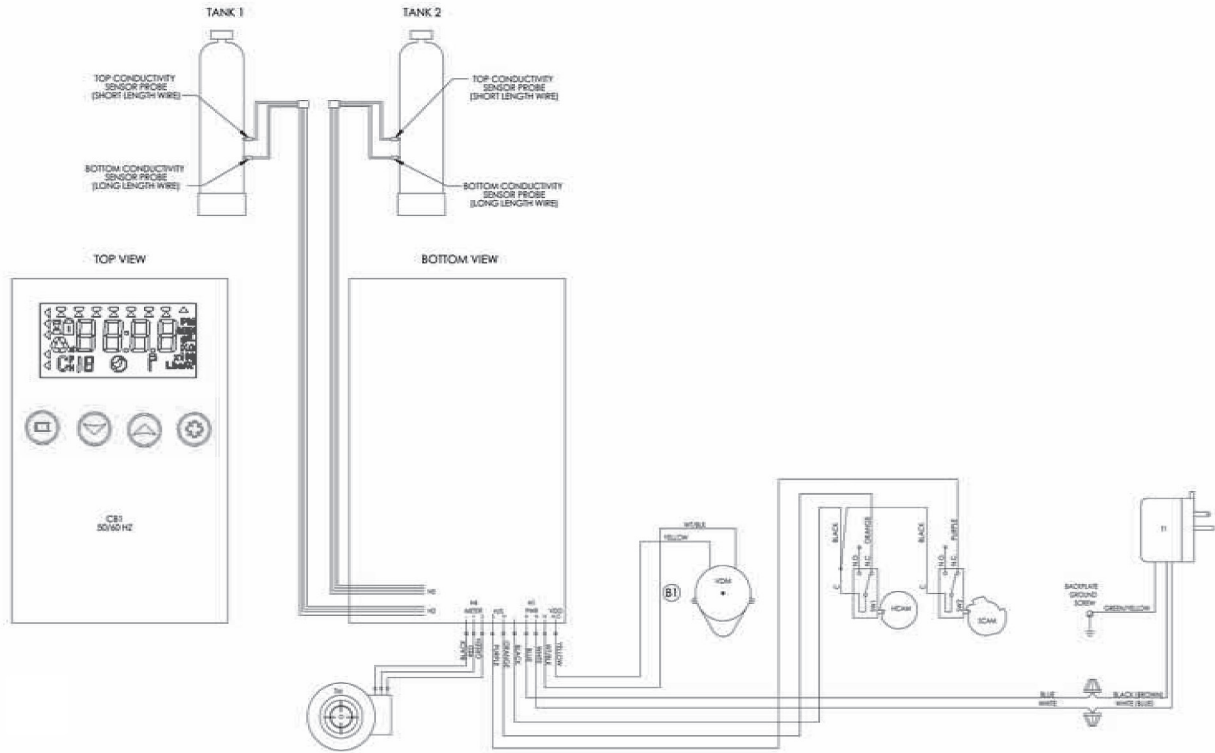
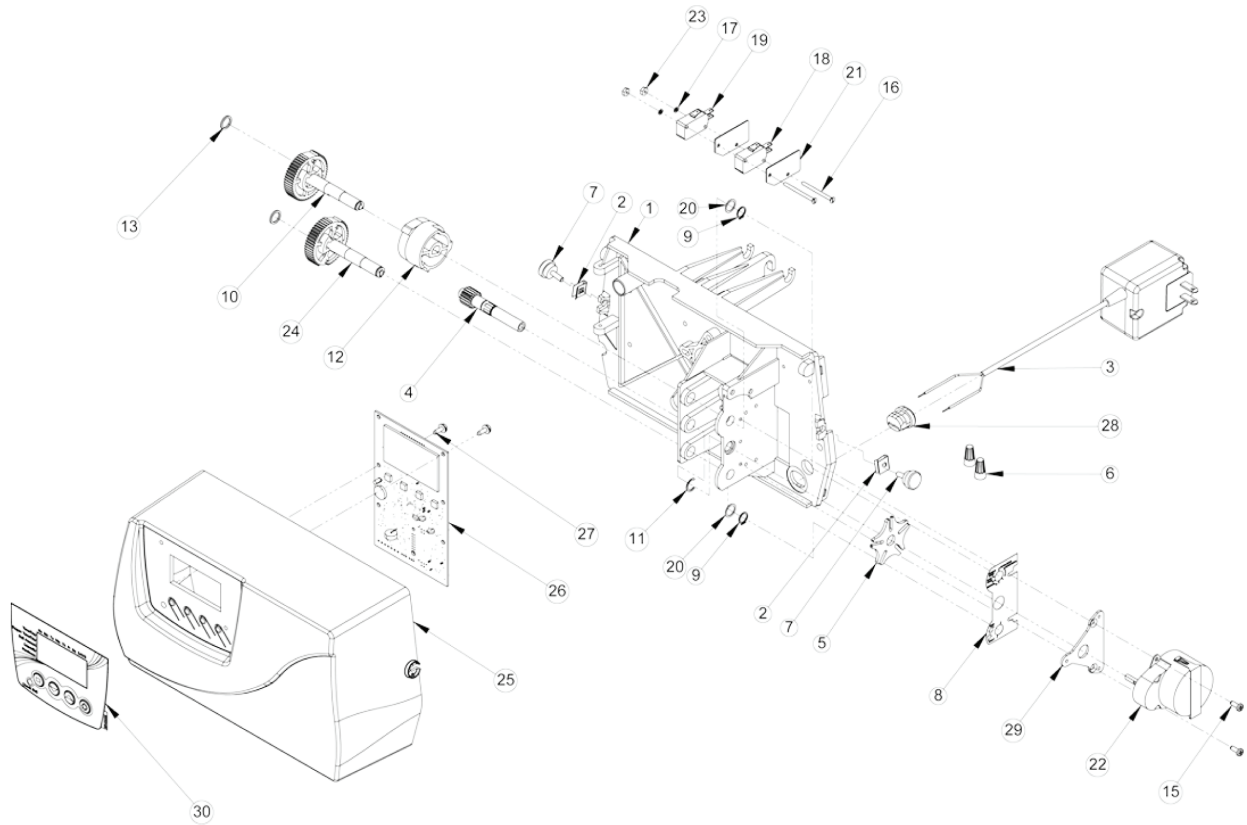


Figure 7

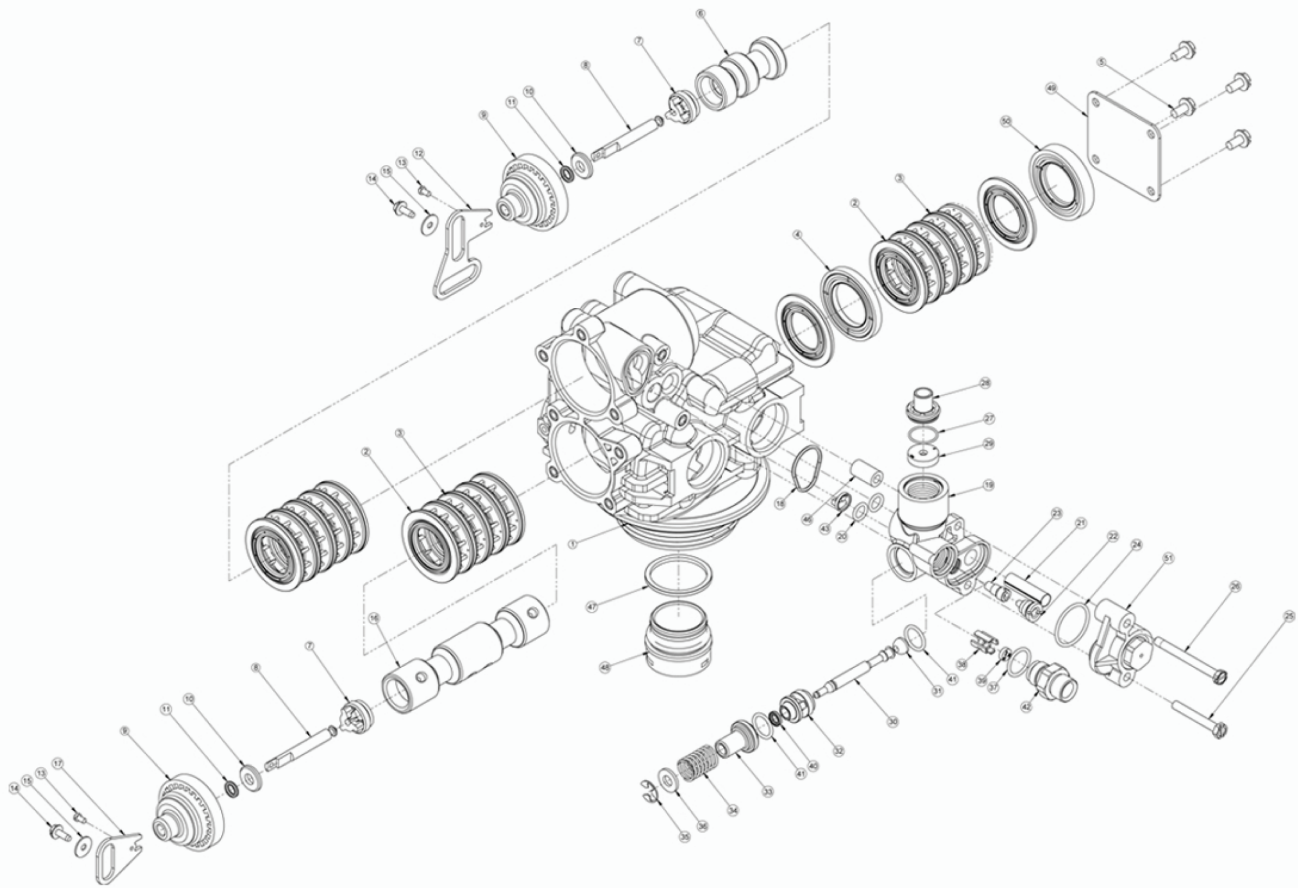
POWERHEAD ASSEMBLY



Item No.	QTY	Part No.	Description
1	1	15131	Backplate, 9000
2	2	18728	Nut, Clip, #8-32
3	1	19674	Transformer, US 24V 9.6VA
4	1	15135	Gear, Drive
5	1	14869	Wheel, Geneva
6	2	40422	Nut, Wire, Tan
7	2	19367	Screw, Designer Cover, Thumb
8	1	43085	Label, Shaft Position
9	2	14917	Retaining Ring, External
10	1	15133	Drive Gear Assembly - Upper
11	1	15810	Retaining Ring
12	1	43091	Cam, Triple ProSense
13	2	15372	Washer, Thrust
14	1	14430	Screw, Hex Washer Head
15	2	19160	Screw, #6-32 x 3/8 Pan Head
16	2	15172	Scrw, Flat Head

Item No.	QTY	Part No.	Description
17	2	10340	Washer, Lock #4, Zinc
18	1	16433	Switch, Micro Low DB
19	1	10218	Switch, Micro
20	2	15692	Washer, Plain, 3/8"
21	2	10302	Insulator, Limit Switch
22	1	18737	Drive Motor -24V, 50-60 Hz
23	2	10339	Nut, Hex, 4-40 Zinc Plated
24	1	15134	Drive Gear Assembly - Lower
25	1	43006	Cover, ProSense
26	1	43035	PCB, ProSense
27	2	17020	Screw, STL. Hex WSH, 6-20 x 3/8
28	1	13547	Strain Relief, Cord
29	1	42296-10	Plate, Adapter, Motor Kit
30	1	43056	Label, Overlay, ProSense
31	1	43112	Label, Sensor Wires ProSense

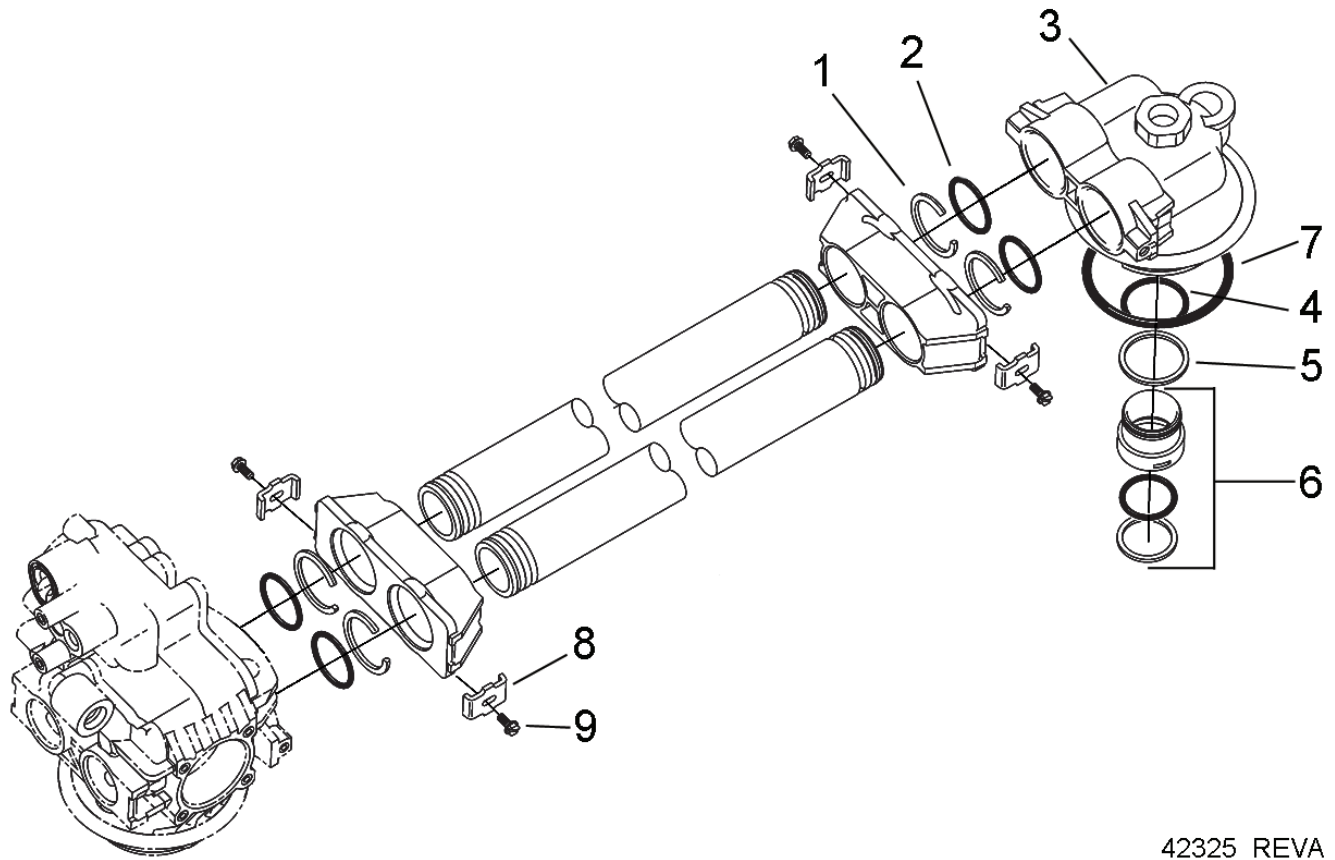
ProSense CONTROL VALVE ASSEMBLY



Item No.	QTY	Part No.	Description
1.....	1	40688.....	Valve Body Assy, ProSense
2.....	16	13242.....	Seal, 5600
3.....	12	14241.....	Spacer
4.....	1	16595.....	Spacer, 9000
5.....	4	15331.....	Screw, Hex Washer Head
6.....	1	14914.....	Piston, 9000, Upper
7.....	2	14309.....	Retainer, Piston Rod
8.....	2	14919.....	Piston, Rod, Upper
9.....	2	13243.....	Plug, End, 5600
10.....	2	13008.....	Retainer, End Plug Seal
11.....	2	10209.....	Quad Ring, -010
12.....	1	14921.....	Link, Piston Rod
13.....	2	11335.....	Screw, #4-40
14.....	2	17020.....	Screw, STL. Hex WSH, 6-20 x 3/8
15.....	2	13363.....	Washer, Hague Drive
16.....	1	28170.....	Piston Lower, ProSense
17.....	1	15019.....	Link, Piston Rod, 9000/9500
18.....	1	41500.....	O-ring, ProSense Drain
19.....	1	15215.....	Body, Injector, 9000
20.....	2	13301.....	O-ring, -011
21.....	1	10227.....	Screen, Injector
22.....	1	10913-1.....	Nozzle, Injector, #1, Natural
23.....	1	10914-1.....	Throat, Injector
24.....	1	13303.....	O-ring, -021
25.....	1	15607.....	Screw, Hex, Slotted
26.....	1	25363.....	Screw, Hex WSH HD

Item No.	QTY	Part No.	Description
27.....	1	15348.....	O-ring, -563
28.....	1	13173.....	Retainer, DLFC Button
29.....	1	12085.....	Washer, Flow, 1.2 gpm
30.....	1	14925.....	Brine Valve Stem, 9000
31.....	1	12626.....	Seat, Brine Valve
32.....	1	13167.....	Spacer, Brine Valve
33.....	1	13165.....	Cap, Brine Valve
34.....	1	11973.....	Spring, Brine Valve
35.....	1	11981-01.....	Ring, Retaining, SS
36.....	1	16098.....	Washer, Nylon Brine
37.....	1	12977.....	O-ring, -015
38.....	1	13245.....	Retainer, BLFC
39.....	1	12095.....	Washer, Flow Control, .50 gpm
40.....	1	12550.....	Quad Ring, -009
41.....	2	13302.....	O-ring, -014
42.....	1	13244.....	Adapter, BLFC
43.....	1	13497.....	Air Disperser, Injector
44.....	1	13333.....	Label, Injector
45.....	1	10759.....	Label, .5 gpm
46.....	1	13361.....	Spacer, 4600
47.....	1	40538.....	Retainer, 32 mm, O-ring Dist, 7000
48.....	1	61419.....	Kit, 1.05" Distributor Adapter
49.....	1	14906.....	Plate, End, 9000
50.....	1	14928.....	Plug, End Stub, 9000
51.....	1	60285-01.....	Injector Cap Assy, ProSense

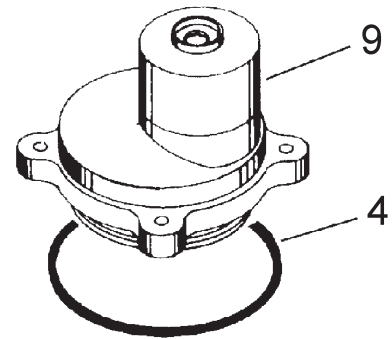
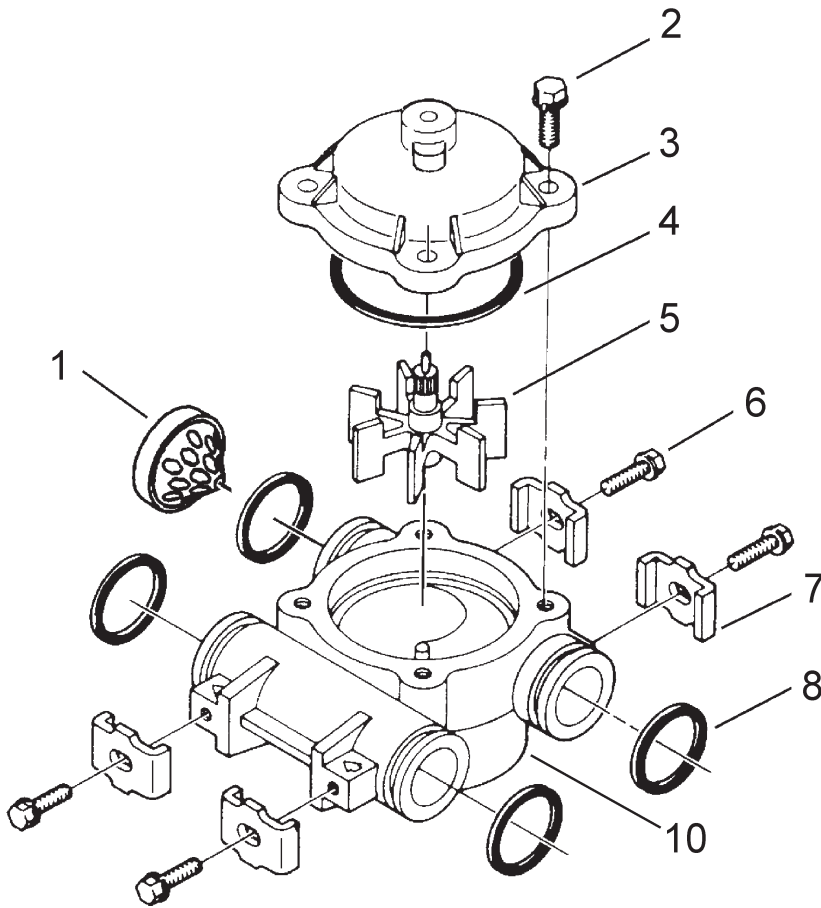
ProSense SECOND TANK ASSEMBLY



42325_REVA

Item No.	QTY	Part No.	Description
1.....	4	40678.....	Ring, ProSense, Yoke Retainer
2.....	4	13287.....	O-ring, -123
3.....	1	14865.....	Adapter Assy, 2nd Tank, ProSense
4.....	1	19054.....	O-ring, -124
5.....	1	40538.....	Retainer, 32mm, O-ring Dist, 7000
6.....	1	61419.....	Kit, 1.05" Distributor, Adapter
7.....	1	18303.....	O-ring, -336
8.....	4	13255.....	Clip, Mounting
9.....	4	14202-01.....	Screw, Hex Wsh Mach, 8-32 x 5/16

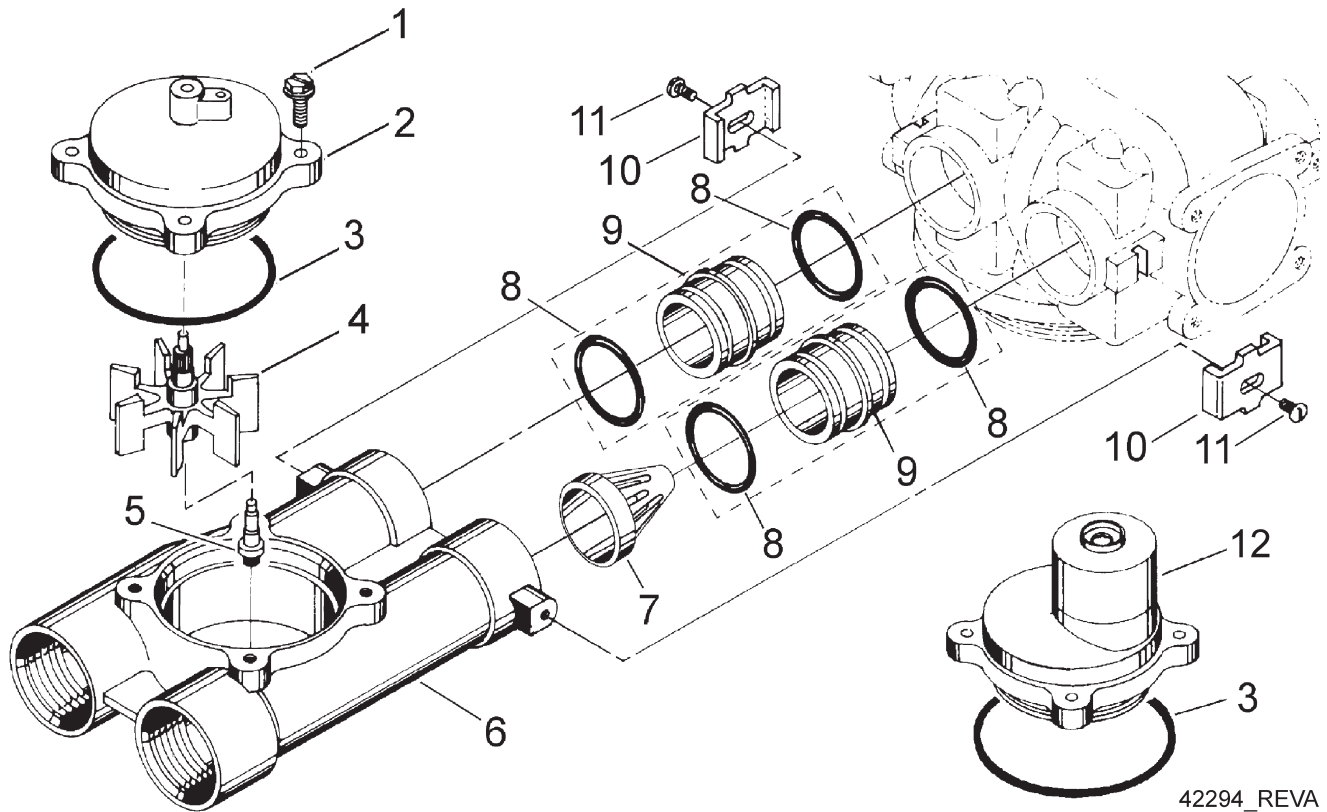
3/4" METER ASSEMBLY



42293_REVA

Item No.	QTY	Part No.	Description
1.....	1	14613.....	Flow Straightener
2.....	4	12473.....	Screw, Hex Wsh, 10-24 x 5/8
3.....	1	14038.....	Meter Cap Assy
4.....	1	13847.....	O-ring, -137, Std/560CD, Meter
5.....	1	13509.....	Impeller, Meter
6.....	4	13314.....	Screw, Slot Ind Hex, 8-18 x .60
7.....	4	13255.....	Clip, Mounting
8.....	4	13305.....	O-ring, -119
9.....	1	15150.....	Meter Cap Assy, Ext
	1	15237.....	Meter Cap Assy, Ext
10.....	1	13821.....	Body, Meter, 5600

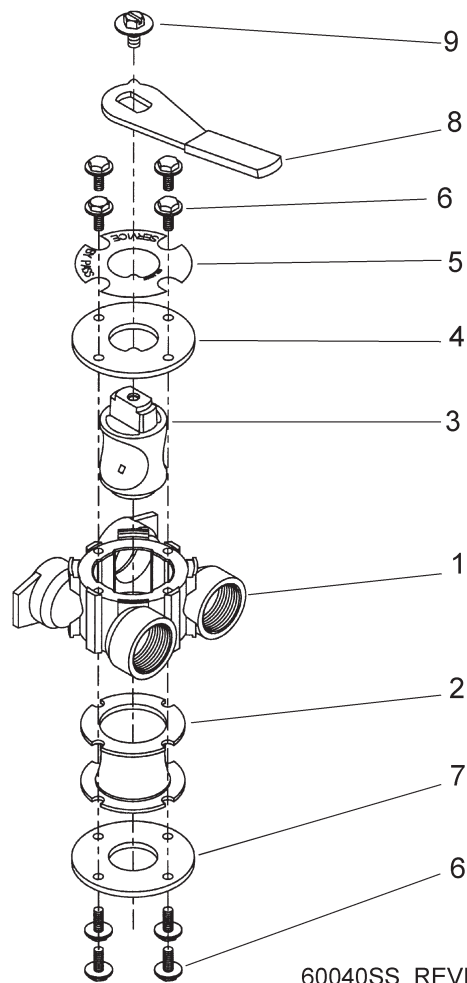
1" METER ASSEMBLY



42294_REVA

Item No.	QTY	Part No.	Description
1.....	4.....	12112.....	Screw, Hex Hd Mach 10-24 x 1/2
2.....	1.....	15218.....	Meter Cap Assy
	1.....	15237.....	Meter Cap Assy, EXT
3.....	1.....	13847.....	O-ring, -137, STD/560CD, Meter
4.....	1.....	13509.....	Impeller, Meter
	1.....	13509-01.....	Impeller, Celcon
5.....	1.....	13882.....	Post, Meter Impeller
6.....	1.....	15043.....	Body, Meter, 9000 1"
7.....	1.....	14960.....	Flow Straightener, 1"
8.....	4.....	13305.....	O-ring, -119
9.....	2.....	15078.....	Adapter, 1" Coupling
10.....	2.....	13255.....	Clip, Mounting
11.....	2.....	14202-01.....	Screw, Hex Wsh Mach, 8-32 x 5/16
12.....	1.....	15150.....	Meter Cap Assy, Ext
	1.....	15237.....	Meter Cap Assy, Ext

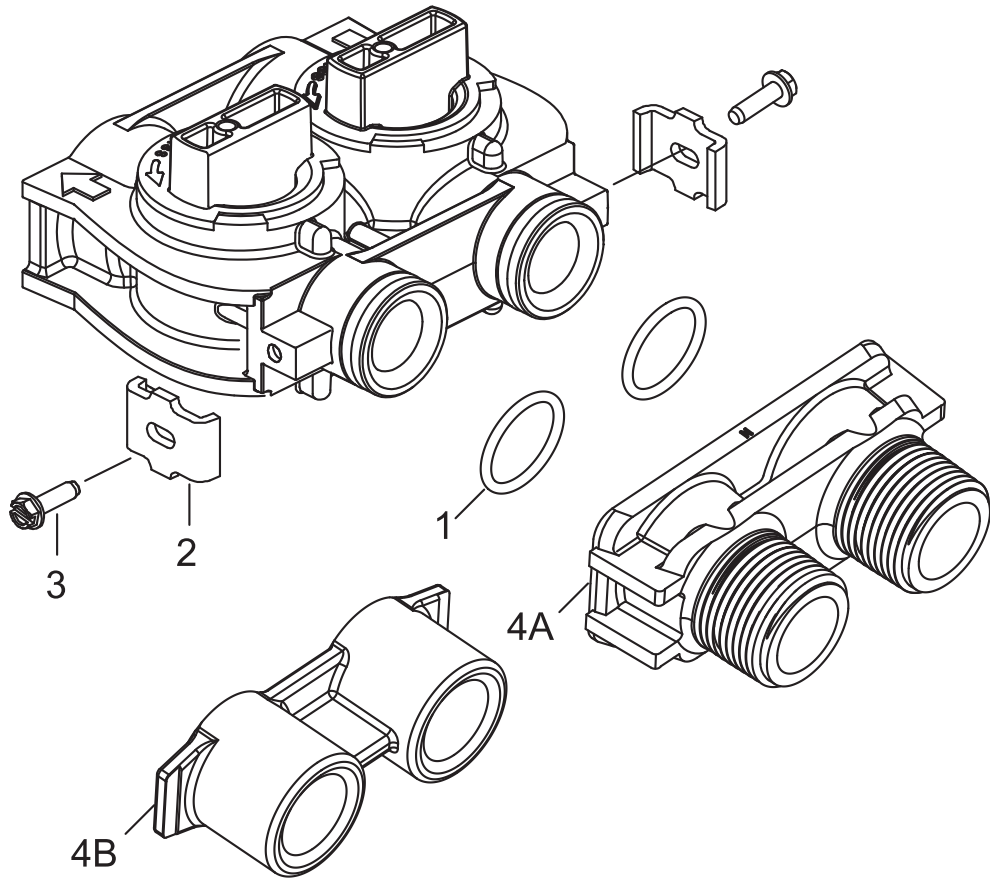
BYPASS VALVE ASSEMBLY



60040SS_REVL
60041SS_REVK

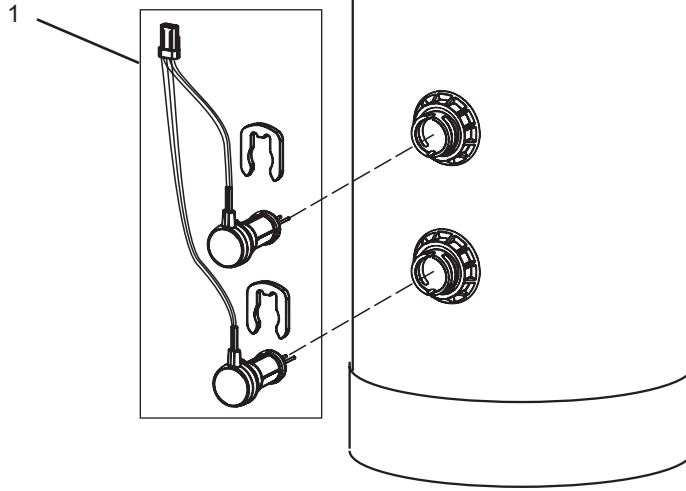
Item No.	QTY	Part No.	Description
1.....	1	17290	By-Pass Body, 3/4"
	1	17290NP	By-Pass Body, 3/4" NP, 5600
	1	13399	By-Pass Body, 1"
	1	13399NP	By-Pass Body, 1" NP
2.....	1	14105	Seal, By-Pass, 560CD
3.....	1	11972	Plug, By-Pass, w/Wax
4.....	1	11978	Plate, By-Pass, Top
5.....	1	13604-01	Label, By-Pass, Standard Mount
6.....	8	15727	Screw, Hex Wsh Hd, 10-24 x 1/2
7.....	1	11986	Plate, By-Pass, Bottom
8.....	1	11979	Lever, By-Pass
9.....	1	11989	Screw, Sltd Indent, 1/4 - 14 x 1 1/2

BYPASS VALVE ASSEMBLY



Item No.	QTY	Part No.	Description
1.....	2	13305.....	O-ring, -119
2.....	2	13255.....	Clip, Mounting
3.....	2	13314.....	Screw, Slot Ind Hex, 8-18 x .60
4A	1	18706.....	Yoke, 1", NPT, Plastic
	1	18706-02.....	Yoke, 3/4", NPT, Plastic
4B	1	41027-01.....	Yoke, 3/4", NPT, Cast, Machd
	1	41026-01.....	Yoke, 1", NPT, Cast, Machd, SS

PROBE KIT



Item No.	QTY	Part No.	Description
1.....	1	30212618.....	Probe/Cable/Clips Kit

TROUBLESHOOTING

Problem	Cause	Correction
1. Water conditioner fails to regenerate.	A. Electrical service to unit has been interrupted	A. Assure permanent electrical service (check fuse, plug, pull chain, or switch)
	B. Timer is defective.	B. Replace timer.
	C. Power failure.	C. Reset time of day.
2. Hard water.	A. By-pass valve is open.	A. Close by-pass valve.
	B. No salt is in brine tank.	B. Add salt to brine tank and maintain salt level above water level.
	C. Injector screen plugged.	C. Clean injector screen.
	D. Insufficient water flowing into brine tank.	D. Check brine tank fill time and clean brine line flow control if plugged.
	E. Hot water tank hardness.	E. Repeated flushings of the hot water tank is required.
	F. Leak at distributor tube.	F. Make sure distributor tube is not cracked. Check O-ring and tube pilot.
	G. Internal valve leak.	G. Replace seals and spacers and/or piston.
	H. Meter is not measuring flow.	H. Check meter with meter checker.
3. Unit used too much salt.	A. Improper salt setting.	A. Check salt usage and salt setting.
	B. Excessive water in brine tank.	B. See problem 7.
4. Loss of water pressure.	A. Iron buildup in line to water conditioner.	A. Clean line to water conditioner.
	B. Iron buildup in water conditioner.	B. Clean control and add mineral cleaner to mineral bed. Increase frequency of regeneration.
	C. Inlet of control plugged due to foreign material broken loose from pipes by recent work done on plumbing system.	C. Remove piston and clean control.
5. Loss of mineral through drain line.	A. Air in water system.	A. Assure that well system has proper air eliminator control. Check for dry well condition.
	B. Improperly sized drain line flow control.	B. Check for proper drain rate.
6. Iron in conditioned water.	A. Fouled mineral bed.	A. Check backwash, brine draw, and brine tank fill. Increase frequency of regeneration. Increase backwash time.
7. Excessive water in brine tank.	A. Plugged drain line flow control.	A. Clean flow control.
	B. Plugged injector system.	B. Clean injector and screen.
	C. Timer not cycling.	C. Replace timer.
	D. Foreign material in brine valve.	D. Replace brine valve seat and clean valve.
	E. Foreign material in brine line flow control.	E. Clean brine line flow control.
8. Softener fails to draw brine.	A. Drain line flow control is plugged.	A. Clean drain line flow control.
	B. Injector is plugged.	B. Clean injector
	C. Injector screen plugged.	C. Clean screen.
	D. Line pressure is too low.	D. Increase line pressure to 25 psi
	E. Internal control leak	E. Change seals, spacers, and piston assembly.
	F. Service adapter did not cycle.	F. Check drive motor and switches.
9. Control cycles continuously.	A. Misadjusted, broken, or shorted switch.	A. Determine if switch or timer is faulty and replace it, or replace complete power head.
10. Drain flows continuously.	A. Valve is not programming correctly.	A. Check timer program and positioning of control. Replace power head assembly if not positioning properly.
	B. Foreign material in control.	B. Remove power head assembly and inspect bore. Remove foreign material and check control in various regeneration positions.
	C. Internal control leak.	C. Replace seals and piston assembly.

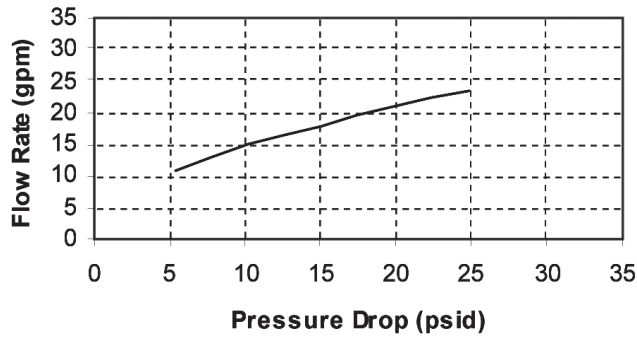
TROUBLESHOOTING *continued*

ProSense Controller

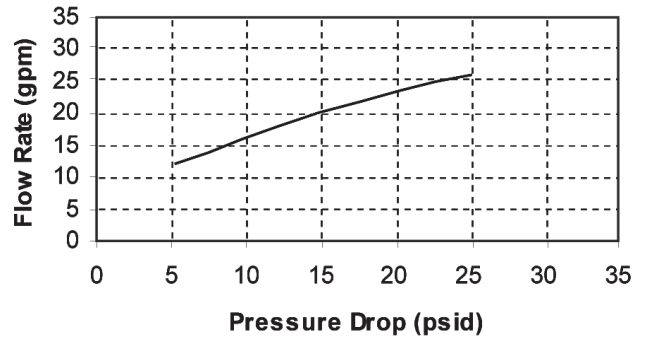
Problem	Cause	Solution
ERR 1 is displayed.	Program settings have been corrupted.	Press any key and reprogram Level I settings.
ERR 3 is displayed.	Controller on tank 1 does not know the position of the camshaft. Camshaft should be rotating to find Home position.	Wait for two minutes for the controller to return to Home position. The hourglass should be flashing on the display indicating the motor is running.
	Camshaft on tank 1 is not turning during ERR 3 display.	Check that motor is connected. Verify that motor wire harness is connected to motor and controller module.
		Verify that Home switch sensor is connected and in place.
		Verify that motor gear has engaged cam gear.
	Camshaft on tank 1 is turning more than five minutes to find Home position.	If everything is connected, try replacing in this order: 1. Wire Harness, Motor, Home Switch, Sensor Assy 2. Controller
		Verify that Home Switch sensor is in place and connected to wire.
		Verify that camshaft is connected appropriately.
		Verify that no dirt or rubbish is clogging any of the cam slots.
Regeneration starts but control shows Err3 before completing regeneration.	If motor continues to rotate indefinitely, replace the following components in this order: 1. Wire Harness, Motor, Home Switch, Sensor Assy 2. Controller	
	Check that motor is connected. Verify that motor wire harness is connected to motor and controller module.	
	Verify that Home Switch sensor is connected and in place.	
	Verify that motor gear has engaged cam gear.	
ERR 4 is displayed.	Hardness front detected with no water flow.	
ERR 6 is displayed.	Conductivity sensors' reading out of range. Defective sensors or no sensors are connected	Check which tank in service and check if the sensors have been connected properly. If already connected, replace conductivity sensor probes with new ones.
Check Salt Light is displayed - Press the regen button to turn off the check salt light.	No regenerant draw or insufficient regenerant detected during regeneration.	Ensure salt/regenerant is available.
		Check for regenerant draw.
		Inspect regeneration line for leaks.

ProSense METER FLOW DATA

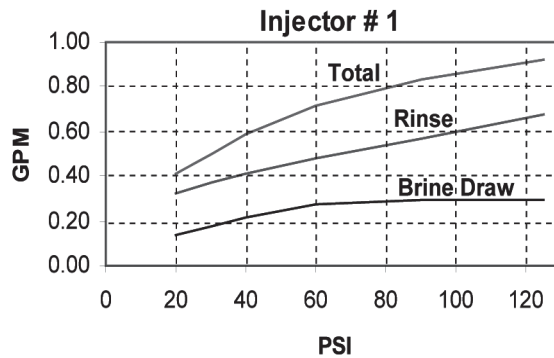
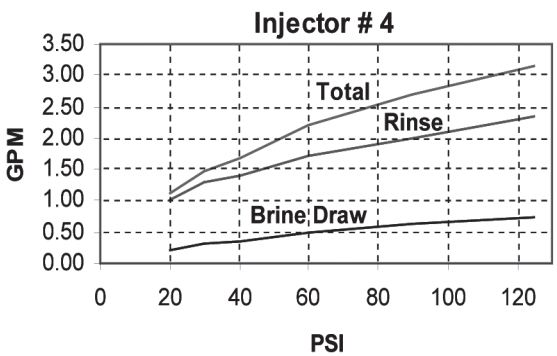
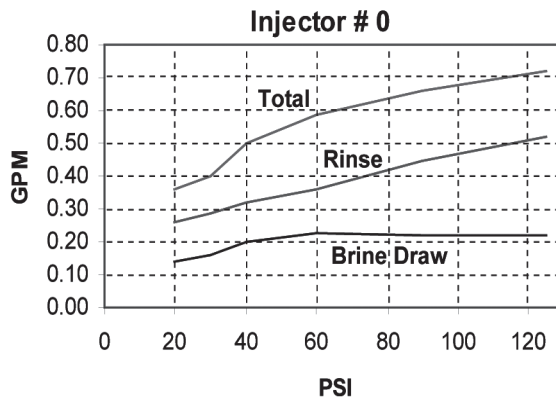
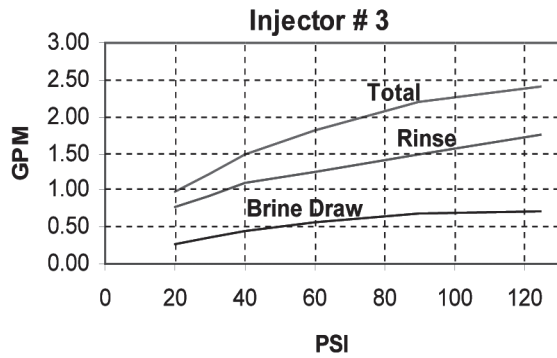
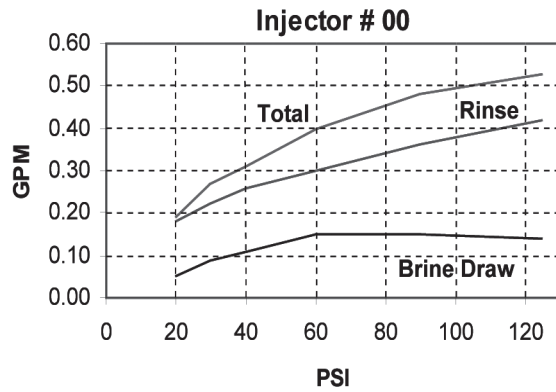
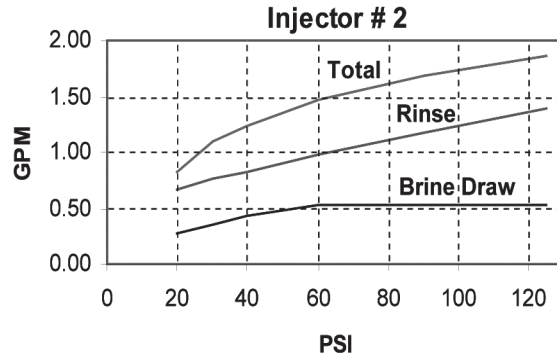
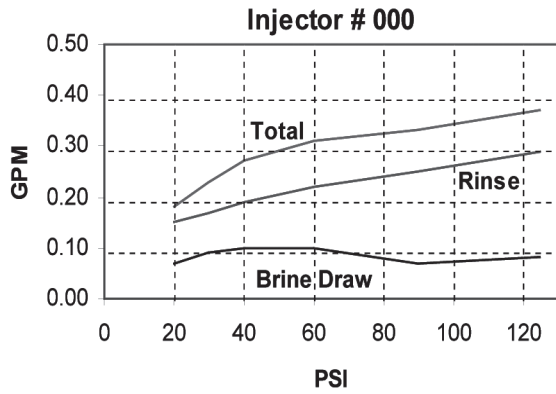
3/4" Mechanical Meter



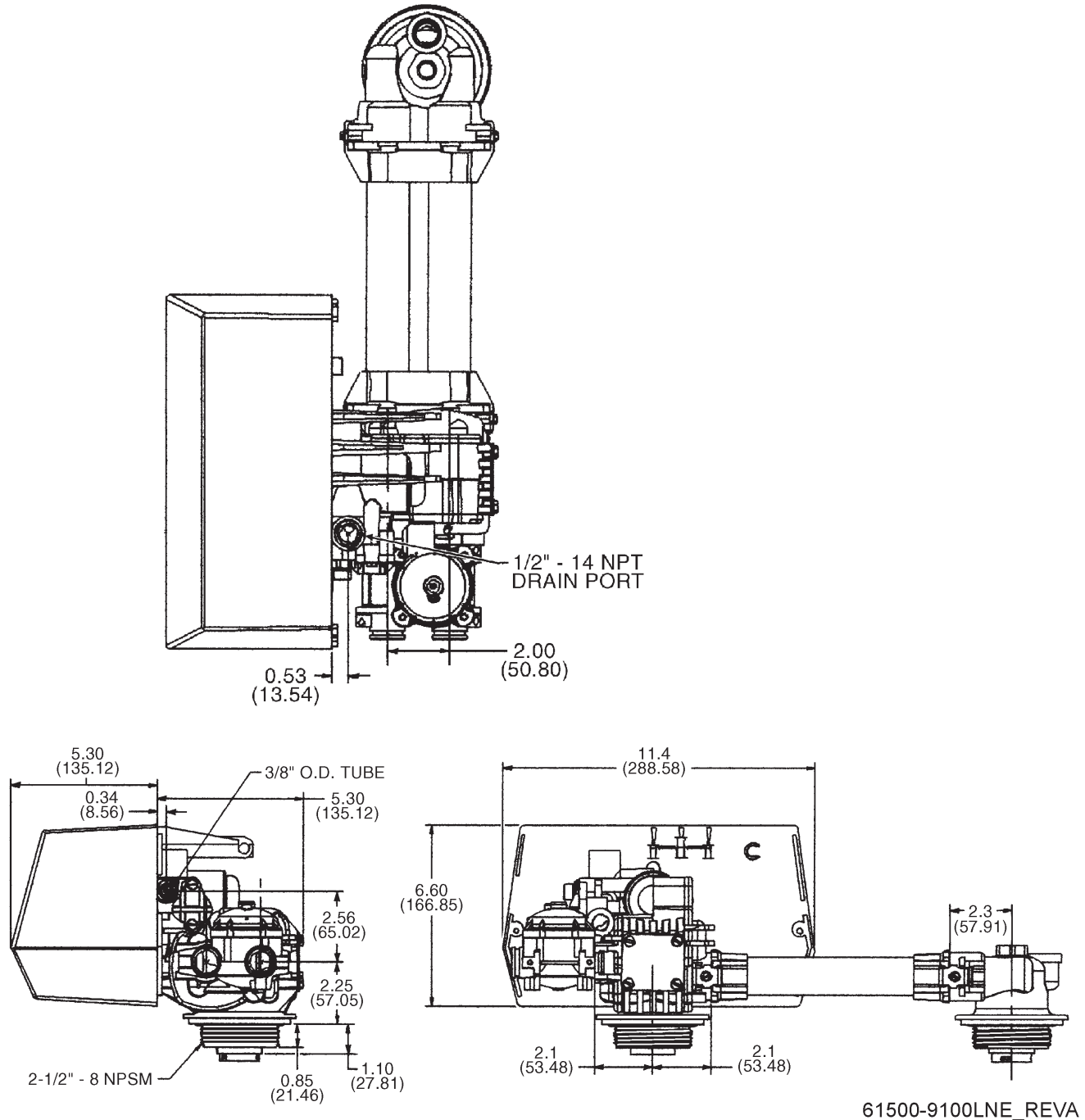
1" Brass Meter



ProSense INJECTOR FLOW DATA (1600 SERIES INJECTORS)

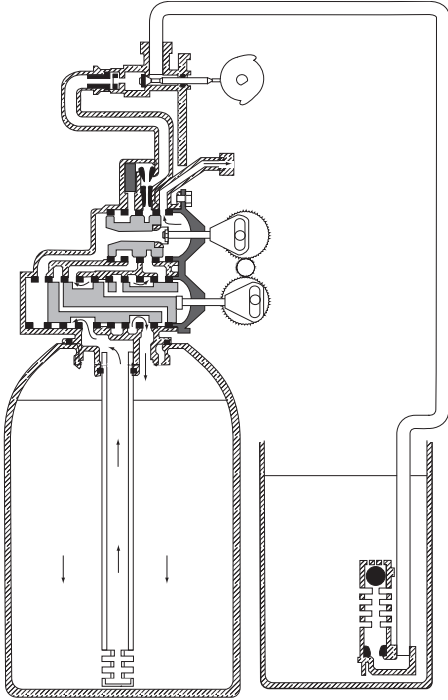


PROSENSE CONTROL VALVE DIMENSIONS

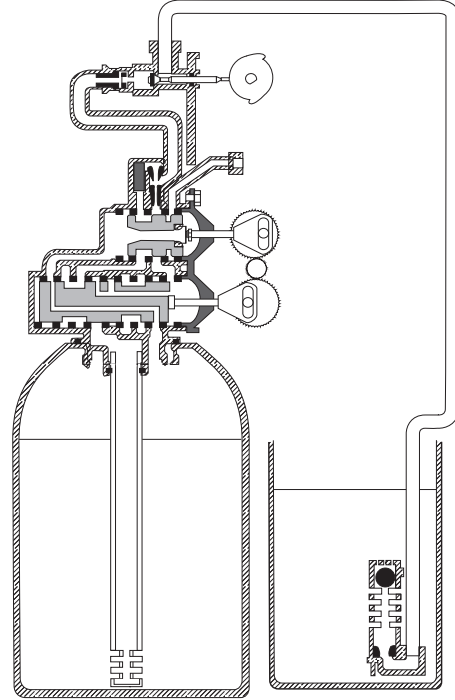


WATER CONDITIONER FLOW DIAGRAMS

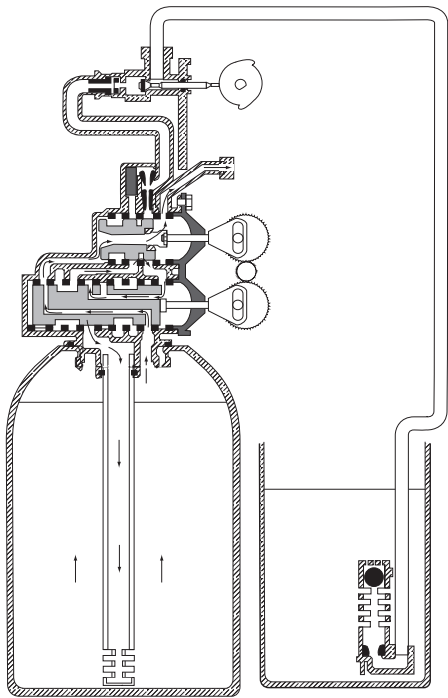
In Service Position



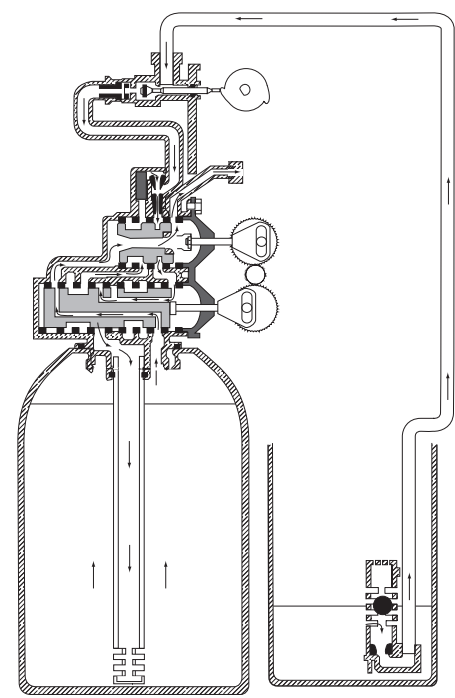
**Tanks Switching Position
(Meter Initiated Regeneration)**



**In Service Position, Tanks Switched
Backwash Position**

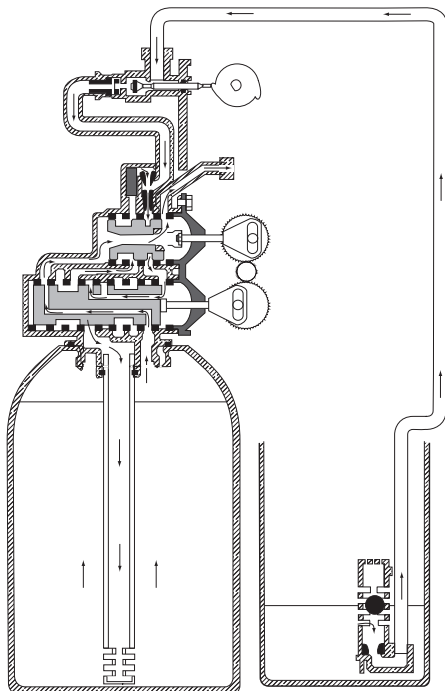


Brine Draw Position

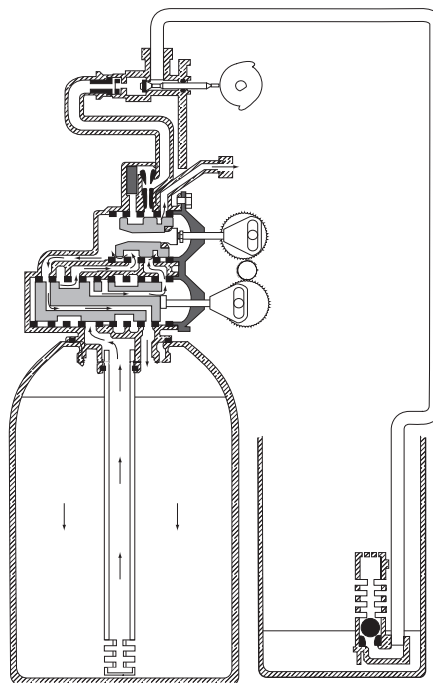


WATER CONDITIONER FLOW DIAGRAMS *continued*

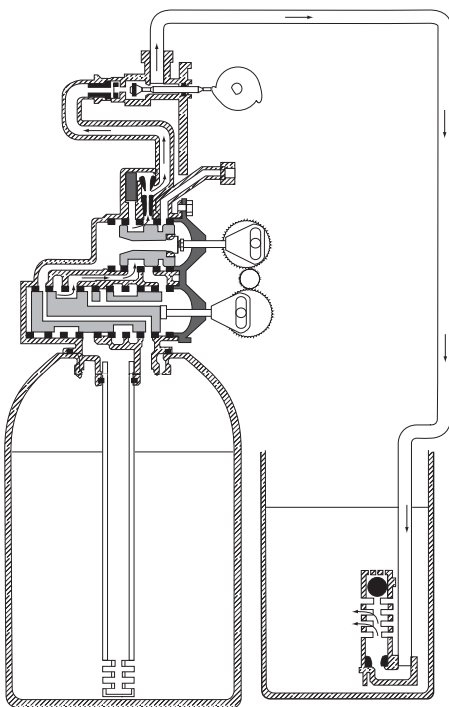
Slow Rinse Position



Rapid Rinse Position



Brine Tank Fill Position



SERVICE ASSEMBLIES

Brine Line Flow Controls (ProSense):

60022-12BLFC, .125 GPM, 5000/5600/9000/ ProSense
60022-50BLFC, .50 GPM, 5000/5600/9000/ ProSense
60350Brine Valve Assy, 9000/ProSense

Bypass Assemblies:

60040SSBypass Valve, 5600, 3/4" NPT
60041SSBypass Valve, 5600, 1" NPT
60049Bypass Plastic Assy

Injector Assemblies (ProSense):

61794-XXXXInjector Assembly (specify size of injector)
------------	--

	Tank Dia.	Injector	DLFC	BLFC
61794-06248"	Brown #000	1.5	0.125
61794-06349"	Brown #000	2.0	0.125
61794-064410"	Brown #000	2.4	0.125
61794-056212"	Violet #00	3.5	0.5

Meter Assemblies (ProSense):

15078-01Adapter, 1" Coupling
60086Meter Assy, 5600/9000/ProSense, 3/4" Std/Range
60087Meter Assy, 5600/9000/ProSense, 3/4", Ext
60389Meter Assy, 9000/ProSense, 1"
60389NPMeter Assy, 9000/ProSense, 1", N/P
60389-20Meter Assy, 9000/ProSense, 1", BSP/ Metric
60390Meter Assy, 9000/ProSense, 1", Ext
60390NPMeter Assy, 9000/ProSense, 1", Ext, N/P
60390-20Meter Assy, 9000/ProSense, 1", Ext/ BSP/Metric
60612Meter Assy, 9000/ProSense, 1", Std Range, HW 150°
60612NPMeter Assy, 9000/ProSense, 1", Std Range, HW 150°, NP
14038Meter Cap Assy
15150Meter Cap Assy, Ext
15218Meter Cap Assy
15218NPMeter Cap Assy, Std, NP
15237Meter Cap Assy, Ext
15237NPMeter Cap Assy, Ext, NP
13509Impeller, Meter
13509-01Impeller, Celcon, HW 150°

Piston, Seal & Spacer Kits:

61785ProSense Upper Piston Kit
61786ProSense Lower Piston Kit

Second Tank Assemblies (ProSense):

60425-12Tube Assy, ProSense, 6-12" Tanks
60425-16Tube Assy, ProSense, 13-16" Tanks
14865Adapter Assy, 2nd Tank, ProSense
61419Kit, 1.05" Distributor Adapter

Tools:

12763Stuffer Tool Assy, 5600/9000
13061Puller Assy, Port Ring
13759Tool, DLFC Retainer

Valve Body Assembly (ProSense):

40688Valve Body Assy, ProSense
18303O-ring, -336
18569Retainer, Tank Seal

Cover Assembly (ProSense):

61787Cover Assembly, ProSense
-------	-------------------------------

SERVICE ASSEMBLIES *continued*

CALIFORNIA PROPOSITION 65 WARNING

WARNING: This product contains chemicals known to the State of California to cause cancer and birth defects or other reproductive harm. (California law requires this warning to be given to customers in the State of California.)

For more information: www.watts.com/prop65

LIMITED WARRANTY: Certain Watts products come with a limited warranty from Watts Regulator Co. Other products may have no warranty or are covered by the original manufacturer's warranty only. For specific product warranty information, please visit www.watts.com or the published literature that comes with your product. Any remedies stated in such warranties are exclusive and are the only remedies for breach of warranty. **EXCEPT FOR THE APPLICABLE PRODUCT WARRANTY, IF ANY, WATTS MAKES NO OTHER WARRANTIES, EXPRESS OR IMPLIED. TO THE FULLEST EXTENT PERMITTED BY APPLICABLE LAW, WATTS HEREBY SPECIFICALLY DISCLAIMS ALL OTHER WARRANTIES, EXPRESS OR IMPLIED, INCLUDING BUT NOT LIMITED TO THE IMPLIED WARRANTIES OF MERCHANTABILITY AND FITNESS FOR A PARTICULAR PURPOSE, AND IN NO EVENT SHALL WATTS BE LIABLE, IN CONTRACT, TORT, STRICT LIABILITY OR UNDER ANY OTHER LEGAL THEORY, FOR INCIDENTAL, INDIRECT, SPECIAL OR CONSEQUENTIAL DAMAGES, INCLUDING, WITHOUT LIMITATION, LOST PROFITS OR PROPERTY DAMAGE, REGARDLESS OF WHETHER IT WAS INFORMED ABOUT THE POSSIBILITY OF SUCH DAMAGES.**



A Watts Water Technologies Company

USA: Tel. (800) 659-8400 • www.watts.com

Canada: Tel. (888) 208-8927 • www.wattscanada.ca