



RIDUTTORE DI PRESSIONE PN15  
 PRESSURE REDUCING VALVE PN15  
 DRUCKMINDERVENTILE PN15  
 REDUCTORES DE PRESIÓN PN15  
 RÉDUCTEURS DE PRESSION PN 15  
 REDUCTOR DE PRESIUNE PN15  
 ΡΥΘΜΙΣΤΗΣ ΠΙΕΣΗΣ PN15  
 РЕДУКТОР ДАВЛЕНИЯ PN 15

- IT
- EN
- DE
- ES
- FR
- RO
- GR
- RU

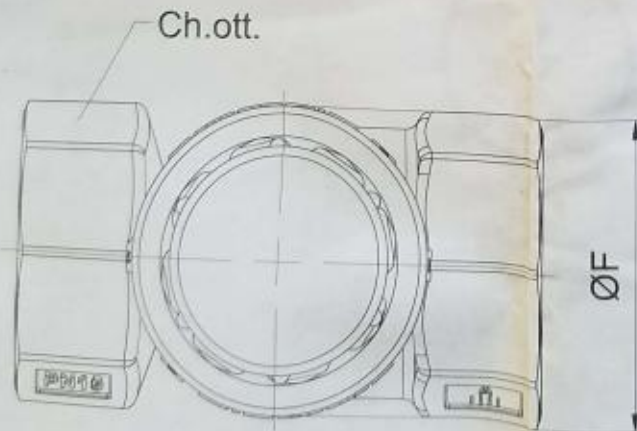
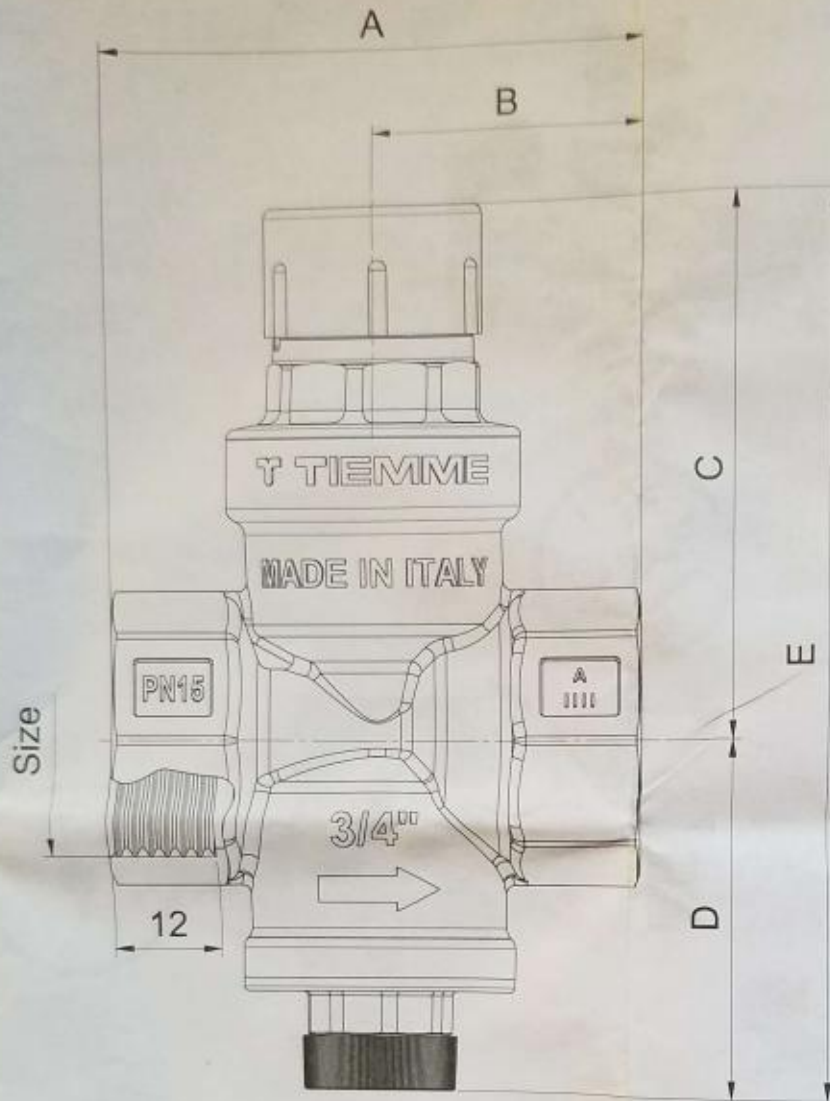
*3 Versel  
 2017-03-26  
 For  
 STEAM  
 Generator*





TIEMME Raccorderie S.p.A.  
Via Cavallera 6/A (Loc. Barco) - 25045 Castegnato (Bs) - Italy  
Tel +39 030 2142211 R.A. - Fax +39 030 2142206  
info@tiemme.com - www.tiemme.com  
990 0376 Rev. 0 09-2014





Size	DN15	DN20
	1/2"	3/4"
A	58,0	60,0
B	29,0	30,0
C	58,0	58,0
D	39,5	39,5
E	97,5	97,5
ØF	33	33
Ch.ott.	25	31

# Art. 3100N



## Pressure reducing valve PN15

Tiemme's pressure reducing valves are mainly installed in private water systems to reduce and maintain a constant pressure value for water entering from the mains water supplies. This prevents pressure variations that could damage the components of the domestic system or lead to an incorrect water distribution. The reducing valves are provided with compensated seats which guarantee that the set pressure value remains constant and independent of the upstream pressure value. The upstream pressure, however, must not exceed the maximum value allowable specifically for each single reducing valve.

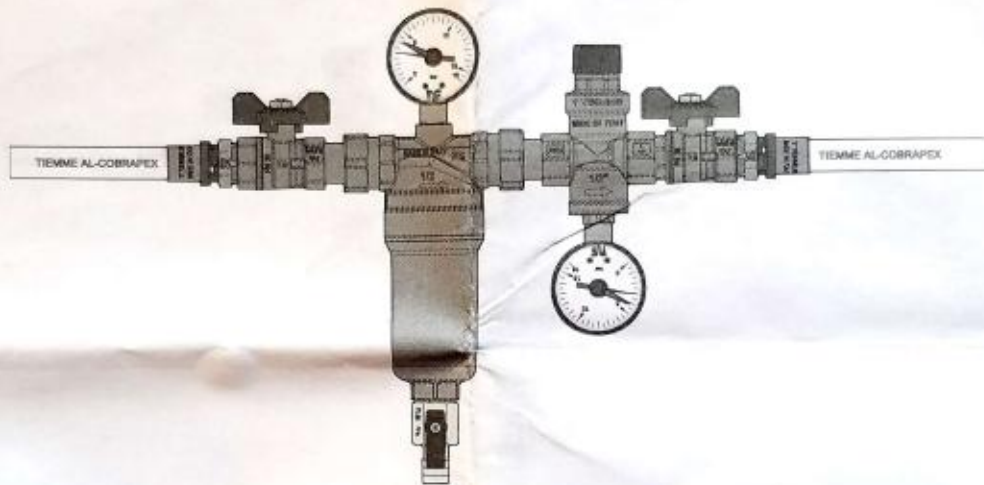
### INSTALLATION (by personnel specialized / qualified) :

The pressure reducing valves can be installed even in orizontal position even in vertical position provided that shall be placed in visible and accessible location and the regulating and maintenance operations shall be easily done. The valve flow direction is always specified by marks on the valve body (arrows....).

The system shall be designed and realised in order to avoid any stress that could damage the valve and could compromise the sealing and the correct working of the valve. It is recommended to flush the system by opening all the taps prior to install the pressure reducing valve to expel any entrapped air. It is recommended to install shut off valve upstream and downstream from the pressure reducer for any maintenance operations.

All installation operations shall be done using properly tooling. The tightenings shall be such as to guarantee the sealing but without make any damage to the valve or fittings. Once the installation have been completed it is necessary to verify the sealings according to technical specifications and/or what required by the country of installation. In case of the water in the main system looks very dirty it is suggested to place a filter upsteram in order to stop impurity.

Tiemme Raccorderie SpA decline any responsibility in case of damages and/or accidents when the installation is not done in conformity with technical and scientific rules in force and in conformity with manuals, catalogues and/or technical documentation written by Tiemme Raccorderie SpA.



### REGULATION (by personnel specialized / qualified) :

All the pressure reducing valves are tested and setted to 3bar prior to be packed. The outlet pressure can be easily changed one the valve have been installed. To change the outlet pressure remove the plastic cap, and using a screw driver, make the regulation on the calibrating screw. To increase pressure turn clockwise to decrease the pressure turno anticlockwise. For a correct regulation the system must be close.



### MAINTENANCE :

If properly installed together with a filter for removing impurities upstream, the reducer will not require any particular maintenance services.

#### TECHNICAL FEATURES

Maximum operating temperature :  
Minimum operating temperature :  
Maximum operating pressure :  
Pressure setting range :  
Valve connection :  
Pressure gauge connection :

80°C  
-20°C (\*)  
15bar  
1+4 bar (3 bar factory setted)  
½" - 3/4" female ISO228  
1/4" female ISO228

Bodies  
Brass internal components :  
Seals  
Spring  
Cap  
Plug

DW617N - EN12165 brass - Nickel-plated  
CW617N - EN12164 brass  
Ethylene-propylene rubber (EPDM)  
Steel  
Nylon Pail  
Nylon Pail



(\*) provided the fluid remains in the liquid state

For any further information please refer to your local dealer or directly to TIEMME S.p.A.