

Use & Care Guide
Manual de Uso y Cuidado
English / Español



System tested and certified by NSF International against NSF/ANSI Standard 42 for the reduction of chlorine taste and odor, and Standard 44 for hardness reduction, efficiency and the reduction of barium and radium 226/228, and certified to NSF/ANSI Standard 372.

Este sistema ha sido probado y certificado por NSF International según la norma NSF/ANSI 42 para la reducción del sabor y el olor a cloro, y la norma 44 para la reducción de la dureza, eficiencia y la reducción del bario y del radio 226/228, y certificado según la norma NSF/ANSI 372.

CLICK ANYWHERE on THIS PAGE TO RETURN to Kenmore (Sears) WATER SOFTENERS at InspectApedia.com

Model / Modelo No. 625.386200

Kenmore® Elite

Smart Hybrid Water Softener

A water softener and a whole home filter in one

Ablandador Híbrido de Agua Inteligente

Un ablandador de agua con filtro integrado para toda la casa

Sears Brands Management Corporation
3333 Beverly Road
Hoffman Estates, IL 60179 U.S.A.
www.kenmore.com



Warranty

KENMORE® ELITE LIMITED WARRANTY

WITH PROOF OF SALE, the following warranty coverage applies when this water softener is correctly connected, installed, operated and maintained according to all supplied instructions. In all cases, replacement units, tanks, drums or parts are warranted only for the unexpired portion of the warranty period from the original date of sale.

FOR ONE YEAR from the date of sale this water softener is warranted against defects in material or workmanship. A defective water softener will receive free repair or replacement at option of seller.

FOR THREE YEARS from the date of sale all water softener parts are warranted against defects in material or workmanship. If a part is defective within the first year, a new part will be supplied and installed at no charge. If a part is defective after the first year, a new part will be supplied but not installed at no charge. You are responsible for the labor cost of part installation after the first year from the date of sale.

FOR TEN YEARS from the date of sale this water softener is warranted against leaks in the tank and salt storage drum. If a tank or drum leak occurs within the first year, a new tank or drum will be supplied and installed at no charge. If a tank or drum leak occurs after the first year, a new tank or drum will be supplied but not installed at no charge. You are responsible for the labor cost of tank or drum installation after the first year from the date of sale.

For warranty coverage details to obtain free repair or replacement, visit the web page: www.kenmore.com/warranty

This warranty applies for only two years on the tank and drum and one year on all other parts if this water softener is ever used in a residence of more than one family or in a commercial, institutional or industrial installation.

This warranty covers only defects in material and workmanship, and will NOT pay for:

1. Expendable items that can wear out from normal use, including but not limited to filters, belts, bags or screw-in base light bulbs.
2. A service technician to clean or maintain this appliance, or to instruct the user in correct appliance installation, operation and maintenance.
3. Service calls to correct appliance installation not performed by Sears authorized service agents, or to repair problems with house fuses, circuit breakers, house wiring, and plumbing or gas supply systems resulting from such installation.
4. Damage to or failure of this appliance resulting from installation not performed by Sears authorized service agents, including installation that was not in accord with electrical, gas or plumbing codes.
5. Damage to or failure of this appliance, including discoloration or surface rust, if it is not correctly operated and maintained according to all supplied instructions.
6. Damage to or failure of this appliance, including discoloration or surface rust, resulting from accident, alteration, abuse, misuse or use for other than its intended purpose.
7. Damage to or failure of this appliance, including discoloration or surface rust, caused by the use of detergents, cleaners, chemicals or utensils other than those recommended in all instructions supplied with the product.
8. Damage to or failure of parts or systems resulting from unauthorized modifications made to this appliance.
9. Service to an appliance if the model and serial plate is missing, altered, or cannot easily be determined to have the appropriate certification logo.

Disclaimer of implied warranties; limitation of remedies

Customer's sole and exclusive remedy under this limited warranty shall be product repair as provided herein. Implied warranties, including warranties of merchantability or fitness for a particular purpose, are limited to one year on the water softener, ten years on the tank and salt storage drum, and three years on all other parts, or the shortest period allowed by law. Sears shall not be liable for incidental or consequential damages. Some states do not allow the exclusion or limitation of incidental or consequential damages, or limitation on the duration of implied warranties of merchantability or fitness, so these exclusions or limitations may not apply to you.

This warranty applies only while this appliance is used in the United States.

This warranty gives you specific legal rights, and you may also have other rights which vary from state to state.

Sears Brands Management Corporation, Hoffman Estates, IL 60179

Questions? Call the Kenmore Water Line 1-800-426-9345.

Table of Contents

Warranty	2
Master Protection Agreements & Sears Installation Service	3
FCC Notice	4
Safety Guides	4
Specifications, Performance Claims & Dimensions	5
Packing List	6
Plan Your Installation	6-8
Installation	8-12
Programming the Softener	13-15
Sanitizing the Softener	16
Adding Salt to the Storage Tank	16
Connecting Your Smart Water Softener to Wi-Fi	17
What Your Hybrid Water Softener Will Do	18
Controller Features	18-22
Care of Your Water Softener	23
Service Information	23-27
Exploded View & Parts List	28-31

Master Protection Agreements

Congratulations on making a smart purchase. Your new Kenmore® Elite product is designed and manufactured for years of dependable operation. But like all products, it may require preventive maintenance or repair from time to time. That's when having a Master Protection Agreement can save you money and aggravation.

The Master Protection Agreement also helps extend the life of your new product. Here's what the Agreement includes:

- Parts and labor** not just for repairing defects, but to help keep products operating properly **under normal use**. Our coverage goes **well beyond the product warranty**. No deductibles, no functional failure excluded from coverage – real protection.
- Expert service** by a force of more than **10,000 authorized Sears service technicians**, which means someone you can trust will be working on your product.
- Unlimited service calls and nationwide service**, as often as you want us, whenever you want us.
- “No-lemon” guarantee** – replacement of your covered product if four or more product failures occur within twelve months.
- Product replacement** if your covered product can't be fixed.
- Annual Preventive Maintenance Check** at your request – no extra charge.
- Fast help by phone** – we call it **Rapid Resolution** – phone support from a Sears representative on all products. Think of us as a “talking owner's manual.”
- Power surge protection** against electrical damage due to power fluctuations.
- \$250 Food Loss Protection** annually for any food spoilage that is the result of mechanical failure of any covered refrigerator or freezer.
- Rental reimbursement** if repair of your covered product takes longer than promised.
- 25% discount** off the regular price of any non-covered repair service and related installed parts.

Once you purchase the Agreement, a simple phone call is all that it takes for you to schedule service. You can call anytime day or night, or schedule a service appointment online.

The Master Protection Agreement is a risk free purchase. If you cancel for any reason during the product warranty period, we will provide a full refund. Or, a prorated refund anytime after the product warranty period expires. Purchase your Master Protection Agreement today!

Some limitations and exclusions apply. For prices and additional information in the U.S.A. call 1-800-827-6655.

Sears Installation Service

For Sears professional installation of home appliances, garage door openers, water heaters, and other major home items, in the U.S.A. call 1-800-4-MY-HOME®.

FCC Notice

FCC NOTICE

NOTE: This equipment has been tested and found to comply with the limits for a Class B digital device, pursuant to Part 15 of the FCC Rules. These limits are designed to provide reasonable protection against harmful interference in a residential installation. This equipment generates, uses, and can radiate radio frequency energy and, if not installed and used in accordance with the instructions may cause harmful interference to radio communications.

However, there is no guarantee that interference will not occur in a particular installation. If this equipment does cause harmful interference to radio or television reception, which can be determined by turning the equipment off and on, the user is encouraged to try to correct the interference by one or more of the following measures:

- ▲ Reorient or relocate the receiving antenna.
- ▲ Increase the separation between the equipment and receiver.

- ▲ Connect the equipment into an outlet on a circuit different from that to which the receiver is connected.
- ▲ Consult the dealer or an experienced radio/TV technician for help.

IMPORTANT: Changes or modifications not expressly approved by the party responsible for compliance could void the user's authority to operate the equipment.

INDUSTRY CANADA NOTICE

This device complies with Industry Canada Standard RSS-210. Operation is subject to the following two conditions: (1) this device may not cause interference, and (2) this device must accept any interference, including interference that may cause undesired operation of the device.

Safety Guides

- ▲ Read all steps and guides carefully before installing and using your new water softener. Follow all steps exactly to correctly install. Failure to follow them could cause personal injury or property damage. Reading this manual will also help you to get all the benefits from your water softener.
- ▲ Your Kenmore® Elite Hybrid Water Softener will reduce hardness minerals from water. This is measured in grains per gallon (gpg). It will also remove some clear water iron*. This is measured in parts per million (ppm). See the specifications page for the maximum limit of hardness removal. It will also reduce taste and odor in water, and will reduce barium and radium 226/228 in water (see performance data sheet for details).
- ▲ A water softener will not improve other water problems such as acidity or iron other than clear water iron.
- ▲ Do not attempt to use this product to make safe drinking water from non-potable water sources. Do not use the system on microbiologically unsafe water, or water of unknown quality without adequate disinfection before or after the system.
- ▲ Check with your local public works department for plumbing and sanitation codes. You must follow their guides as you install the system. Follow your local codes if they differ with guides in this manual. In Massachusetts, plumbing code 248-CMR 3.00 and 10.00 shall be adhered to. Consult with a licensed plumber.

* The capacity to reduce clear water iron is substantiated by Water Quality Association test data.

- ▲ Use only lead-free solder and flux for all sweat-solder connections, as required by federal codes, when installing soldered copper plumbing.
- ▲ Use care when handling the water softener. Do not turn upside down or drop.
- ▲ Avoid installing in direct sunlight. Excessive heat may cause distortion or other damage to non-metallic parts.
- ▲ This water softener works on water pressures of 20 psi (minimum) to 125 psi (maximum). If your house water pressure is over the maximum, install a pressure reducing valve in the water supply pipe to the softener.
- ▲ Temperature of the water supply to the softener must be between 40°F and 100°F. Do not install on hot water.
- ▲ If installing the water softener outdoors, do not locate where it will be exposed to wet weather, direct sunlight or extreme hot or cold temperatures.
- ▲ This water softener works on 28V DC electrical power, supplied by a direct plug-in power supply (included). Be sure to use the included power supply and plug it into a nominal 120V, 60 Hz household outlet that is in a dry location only, grounded and properly protected by an overcurrent device such as a circuit breaker or fuse.
- ▲ This water softener has a non-metallic valve system. Installing it on metal plumbing will break electrical continuity, which may interrupt grounding for the home. You must restore electrical continuity in your metal plumbing system (See Page 11).

Questions? Call the Kenmore Water Line 1-800-426-9345.

Specifications, Performance Claims & Dimensions

This model is efficiency rated. The efficiency rating is valid only at the minimum salt dose. The softener has a demand initiated regeneration (D.I.R) feature that complies with specific performance specifications intended to minimize the amount of regenerant brine and water used in its operation.

This softener has a rated softener efficiency of not less than 3,350 grains of total hardness exchange per pound of salt (based on sodium chloride) and shall not deliver more salt than its listed rating or be operated at a sustained maximum service flow rate greater than its listed rating. This softener has been proven to deliver soft water for at least ten continuous minutes at the rated service flow rate. The rated salt efficiency is measured by laboratory tests described in NSF/ANSI Standard 44. These tests represent the maximum possible efficiency that the system can achieve. Operational efficiency is the actual efficiency after the system has been installed. It is typically less than the rated efficiency, due to individual application factors including water hardness, water usage, and other contaminants that reduce a softener's capacity.

While testing was performed under standard laboratory conditions, actual performance of the system may vary based on local water conditions. This system has been tested according to NSF/ANSI Standard 42 for the reduction of chlorine taste and odor. The concentration of the indicated substance in water entering the system was reduced to a concentration less than or equal to the permissible limit for water leaving the system, as specified in NSF/ANSI Standard 42.

SPECIFICATIONS	
	Model No. 625.386200
Model Code	620
Rated Softening Capacity (Grains @ Salt Dose)	14,000 @ 2.9 lbs. 29,800 @ 9.3 lbs. 35,600 @ 15.6 lbs.
Rated Efficiency (Grains/Pound of Salt @ Minimum Salt Dose)	4,827 @ 2.9 lbs.
Water Used During Regeneration @ Minimum Salt Dose	3.7 gallons / 1,000 grains
Total Water Used Per Regeneration @ Maximum Salt Dose	58.6 gallons
Rated Service Flow Rate	8.0 gpm
Amount of High Capacity Ion Exchange Resin	0.98 cu. ft.
Pressure Drop at Rated Service Flow	8.4 psig
Water Supply Max. Hardness	100 gpg
Water Supply Max. Clear Water Iron	3 ppm*
Water Pressure Limits (minimum / maximum)	20 - 125 psi
Water Temperature Limits (min. / max.)	40 - 100 °F
Minimum Water Supply Flow Rate	3 gpm
Intermittent Flow @ 15 psi	11.8 gpm**
Maximum Drain Flow Rate	2.0 gpm
Rated Capacity at Chlorine Concentration*** of:	0.50 ppm 2,280,000 gal.§ 0.75 ppm 1,520,000 gal.§ 1.0 ppm 1,140,000 gal.§ 1.5 ppm 760,000 gal.§ 2.0 ppm 570,000 gal.

* Capacity to reduce clear water iron is substantiated by WQA test data. State of Wisconsin requires additional treatment if water supply contains clear water iron exceeding 5 ppm.

** Intermittent flow rate does not represent the maximum service flow rate used for determining the softener's rated capacity and efficiency. Continuous operation at flow rates greater than the service flow rate may affect capacity and efficiency performance.

*** Typical residential chlorine concentration is 0.5 to 1.0 ppm.

§ From independent laboratory test data.

PERFORMANCE CLAIMS		
Contaminant	Influent Challenge Level	Maximum Allowable Product Water Level
Barium	10 ±10% mg/L	2.0 mg/L
Radium 226/228	25 pCi/L	5 pCi/L
Substance	Influent Challenge Level	Reduction Requirement
Chlorine	2.0 ±10% mg/L	50%

This system conforms to NSF/ANSI Standards 42 & 44 for the specific performance claims as verified and substantiated by test data.

Variable Salt Dose: The salt dose is selected by the electronic controls at regeneration time based on the amount needed.

DIMENSIONS

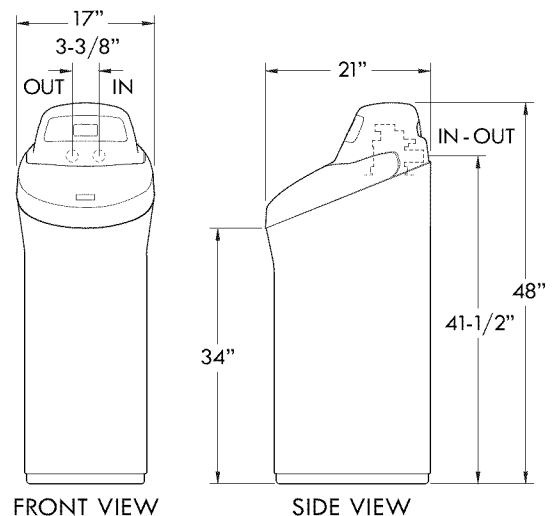


Figure 1

Questions? Call the Kenmore Water Line 1-800-426-9345.

Packing List

The parts required to assemble and install the water softener are included with the unit. Thoroughly check the water softener for possible shipping damage and parts loss. Also inspect and note any damage to the shipping carton.

Remove and discard (or recycle) all packing materials. To avoid loss of small parts, we suggest you keep the small parts in the parts bag until you are ready to use them.

Small Parts

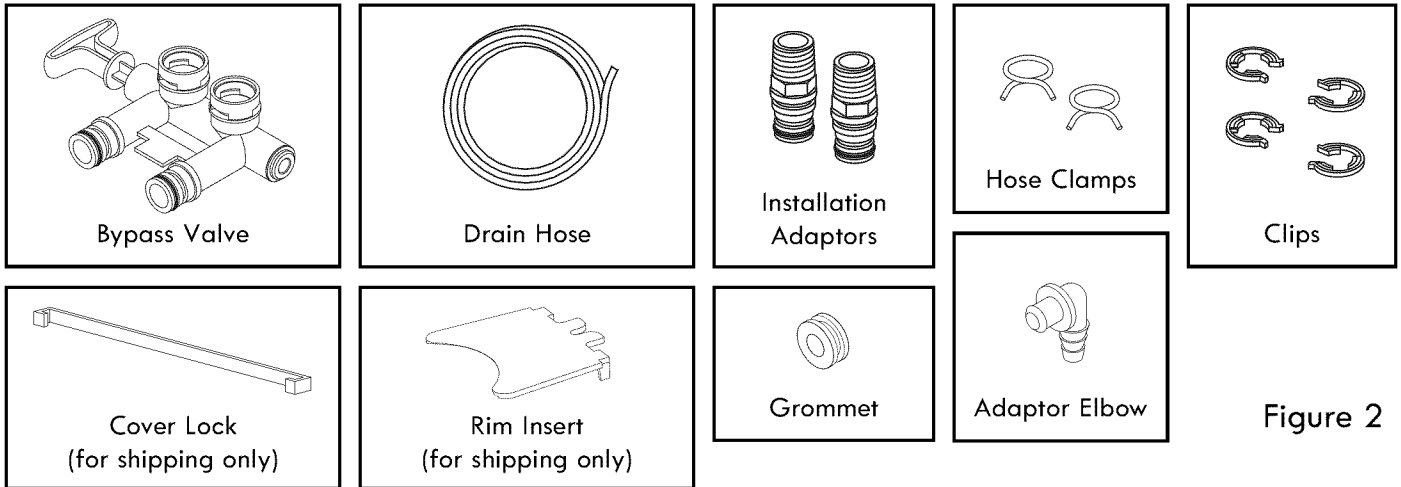


Figure 2

Plan Your Installation

THE PROPER ORDER TO INSTALL WATER TREATMENT EQUIPMENT

(Shows sequence of equipment only - not all items are needed in all applications)

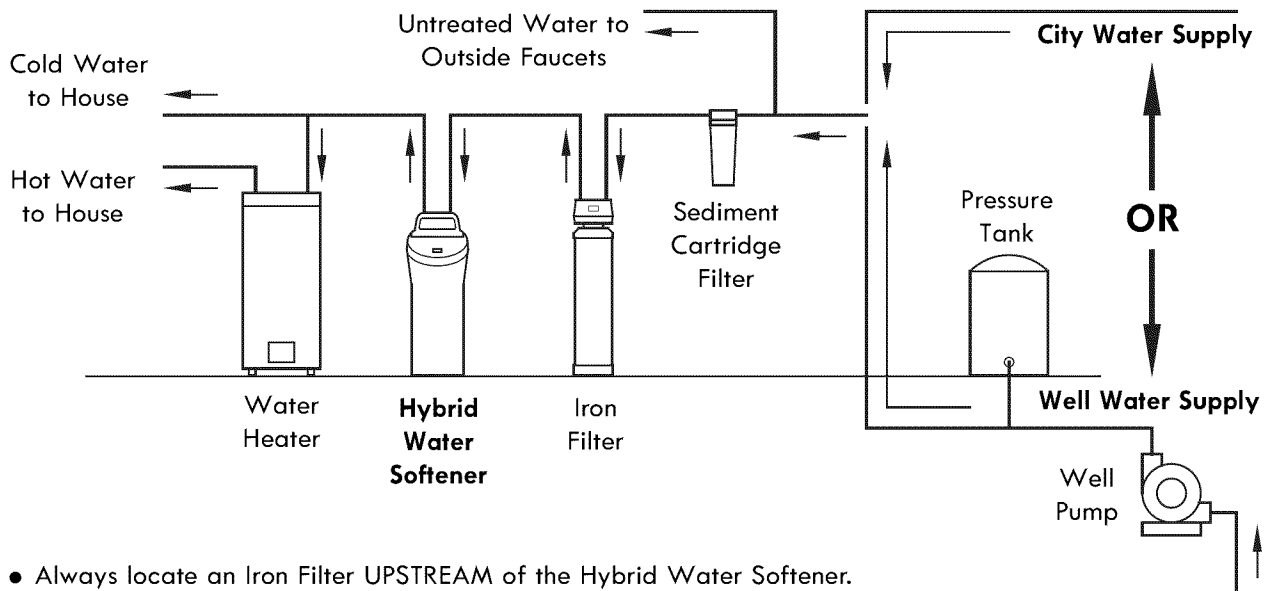


Figure 3

Questions? Call the Kenmore Water Line 1-800-426-9345.

Plan Your Installation

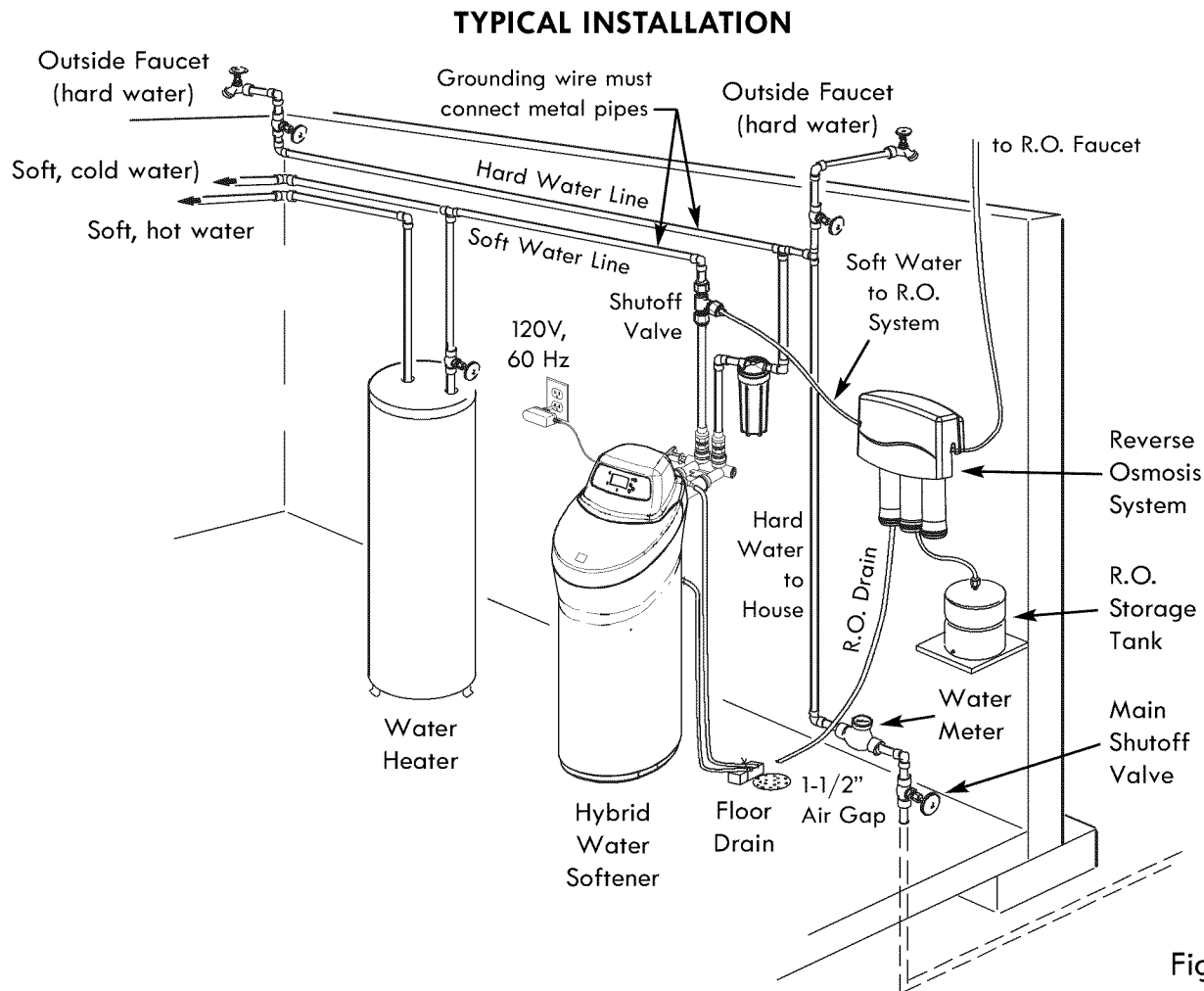


Figure 4

WHERE TO INSTALL THE HYBRID WATER SOFTENER

Review the following points before you choose a place to put your softener:

1. Place as close as possible to, but always downstream from, the pressure tank (well water) or water meter (city water).
2. Place as close as possible to a water drain such as a floor drain, laundry tub, sump or standpipe (See Fig. 4).
3. Connect to the house main water pipe **UPSTREAM OF THE WATER HEATER** (See Fig. 3). The temperature of water going through the softener must not be more than 100°F (38°C). Hot water will damage inner softener parts. To reduce the risk of hot water backup, piping between the softener and water heater should be as long as possible.
4. Keep outside faucets on hard water to save soft water and salt. See Fig. 4.
5. Do not install in a place where the softener could freeze. Damage caused by freezing voids the warranty by Sears Brands Management Corporation.
6. Put the softener in a place where water damage is least likely to occur if it develops a leak. Sears or the manufacturer will not repair or pay for water damage.
7. A grounded, 120V, 60 Hz electrical outlet is needed near the softener to plug in the power supply (See Fig. 4). Be sure the outlet and power supply are in an inside location, protected from wet weather. Use a continuously "live" outlet, which cannot be accidentally switched off.
8. When installing in an outside location, you must take the steps necessary to assure the softener, installation plumbing, and wiring, are protected from the elements, direct sunlight, contamination, vandalism, etc.

Questions? Call the Kenmore Water Line 1-800-426-9345.

Plan Your Installation

CHECK YOUR WATER PRESSURE BEFORE INSTALLING

For your water softener to work properly, incoming water pressure in your house pipes must be no lower than 20 pounds per square inch (psi). The highest allowable pressure is 125 psi. If pressure is above 125

psi, buy and install a pressure reducing valve in the pipe supplying water to the softener's inlet.

NOTE: If water pressure during the day is 100 psi or more, pressure during the night may go above 125 psi.

Installation

INSTALL SINGLE BYPASS VALVE AND/OR THREADED INSTALLATION ADAPTORS

Complete the following steps to assemble the adaptors and/or the included single bypass valve.

1. Close the shutoff valve on the house main water pipe, near the water meter or pressure tank, to turn off the water.
2. Shut off the gas or electric supply to the water heater.
3. Open the highest and lowest water faucets in your house. This will let water drain from the pipes. Close faucets after water has drained.
4. Remove the top cover. Pull outward on the two tabs to release top cover (see Fig. 5). The salt lid remains attached to the top cover when removed. Set both covers aside so they will not get scratched or broken.

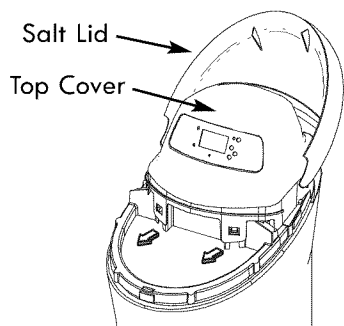


Figure 5

5. Visually check and remove any foreign materials from the valve inlet and outlet ports (see Fig. 6). Check to be sure the turbine and support are firmly in place (see Fig. 7).

NOTE: If you will not install the included bypass valve because you will have a 3-valve bypass in your plumbing, skip step 6, but perform step 7.

SINGLE BYPASS VALVE:

6. Push the bypass valve into the softener valve's inlet and outlet ports as far as it will go. Snap the two large holding clips into place, from the top down as shown (see Fig. 8).

CAUTION: Be sure the clips snap firmly into place so the bypass valve will not pull out.

INLET AND OUTLET THREADED ADAPTORS:

7. Push the adaptors into the valve inlet and outlet ports, or bypass valve ports, as far as they will go. Both adaptors are the same and fit either port. Snap the two large holding clips into place, as shown (see Fig. 8).

CAUTION: Be sure the clips snap firmly into place so the adaptors will not pull out.

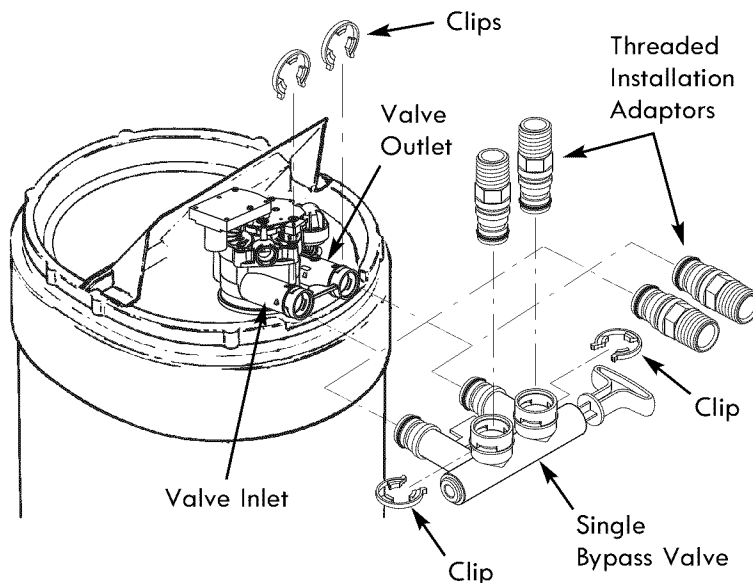


Figure 6

Questions? Call the Kenmore Water Line 1-800-426-9345.

Installation

INSTALL SINGLE BYPASS VALVE (cont.)

Before installing the bypass valve and/or installation adaptors, make sure that the turbine and support are firmly in place inside the softener valve's outlet port.

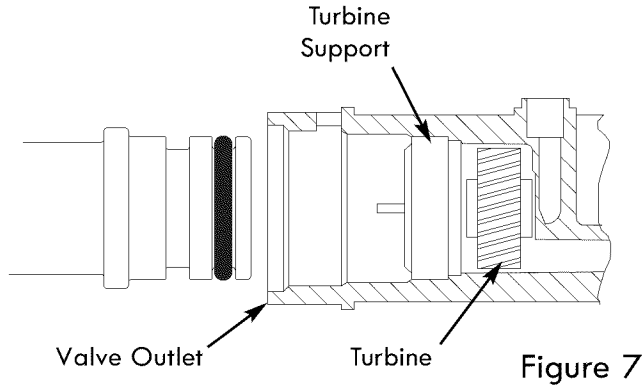


Figure 7

INSTALL HOLDING CLIPS

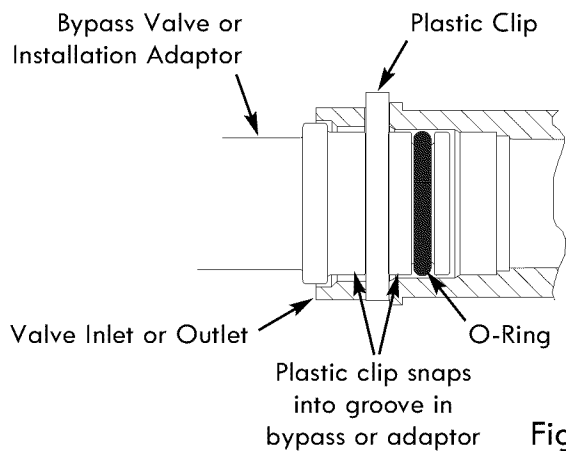
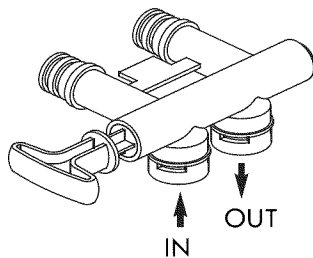


Figure 8

ALTERNATE BYPASS VALVE INSTALLATION



If connecting to floor level plumbing, install the bypass valve turned downward, as shown.

Figure 9

ASSEMBLE INLET AND OUTLET PLUMBING

Measure, cut (thread if needed) and put together all pipe and fittings up to the main water pipe. Make sure that the incoming water supply pipe goes to the valve inlet side.

CAUTION: Never solder fittings while connected to nonmetallic parts. Wait until soldered pipe has cooled before connection. See Fig. 10.

CAUTION: Be careful when putting pipe fittings together. Do not cross thread, and do not over-tighten.

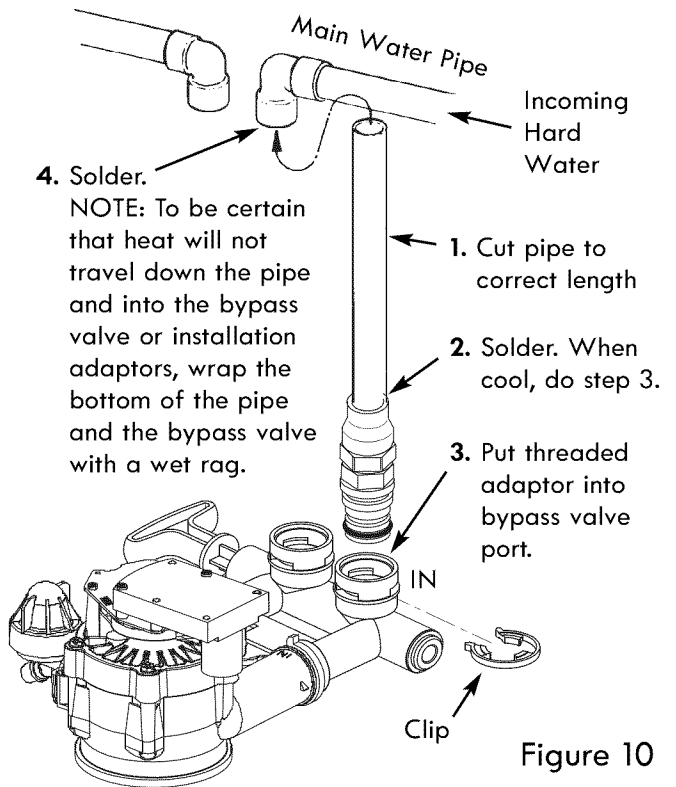


Figure 10

Installation

CONNECT THE VALVE DRAIN HOSE

Take a length of 3/8" inside diameter drain tubing (supplied) and attach one end to the drain fitting (see Fig. 11). Use a tube clamp from the parts bag to hold it in place. Put the other end of the tubing over a floor drain, into a laundry tub, standpipe, or other suitable drain. Check your local codes.

Leave an air gap of about 1-1/2" between the end of the hose and the drain. This gap is needed so you don't get a backflow of sewer water into the softener. Do not put the end of the hose into the drain or connect without the air gap.

Locate and support the hose so it does not kink or have sharp bends. Secure the hose end so water pressure does not cause the hose to "whip". Tie or wire it in place. Do not pinch the hose shut. The softener will not work if this drain hose is pinched, plugged, closed or restricted in any way. Direct drain flow down into drain from drain line as flow could possibly overshoot the drain cover.

Keep the hose lower than the drain fitting. In some homes, to get to a drain you must raise the hose and run it overhead. Do not raise the hose more than 8 feet above the floor.

COPPER DRAIN TUBE: Local plumbing codes may require the use a copper valve drain tube. A copper tube is also best to use if running a drain line overhead.

To adapt a copper drain tube to the softener, purchase a compression fitting (1/4" female pipe threads x 1/2" O.D. tube) and tubing from your local hardware store.

CONNECT SALT TANK OVERFLOW HOSE

1. Locate the rubber grommet, adaptor elbow and tube clamp (see Fig. 11) that are in the parts bag.
2. Push the grommet into the hole in the salt tank wall so that half is inside and half is outside.
3. Push the larger end of the adaptor into the grommet.
4. Push one end of a length of 3/8" I.D. tubing (supplied) onto the tube adaptor, using a tube clamp from the parts bag to hold it in place.
5. Put the other end of the tubing over the floor drain.

IMPORTANT: Overflow water must run down by gravity through the tubing. Do not raise the tubing higher than the adaptor (see Fig. 11).

IMPORTANT: Do not connect this hose to the valve drain hose you just installed (see above). Both drains must have a separate hose.

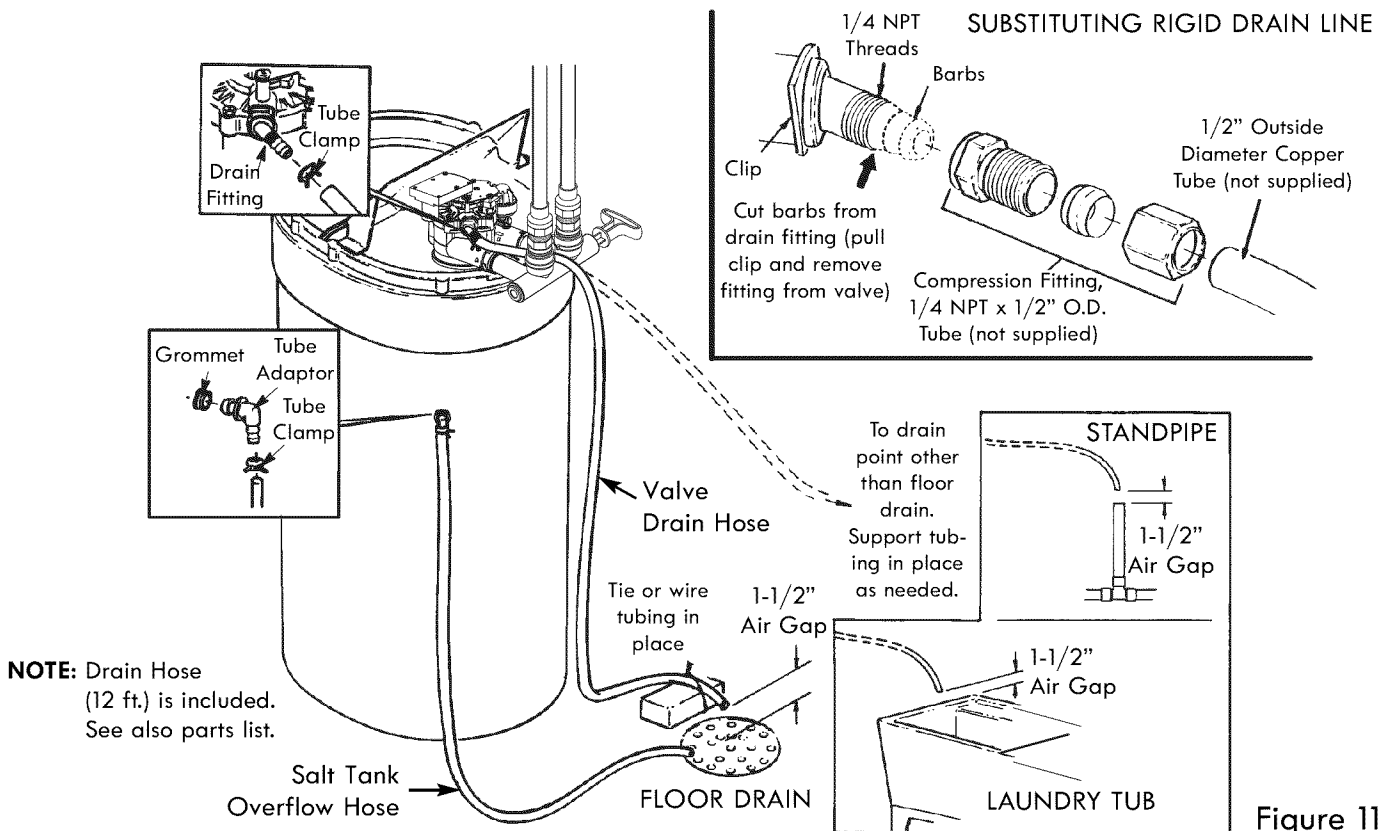


Figure 11

Questions? Call the Kenmore Water Line 1-800-426-9345.

Installation

METAL PIPE GROUNDING

(parts not included)

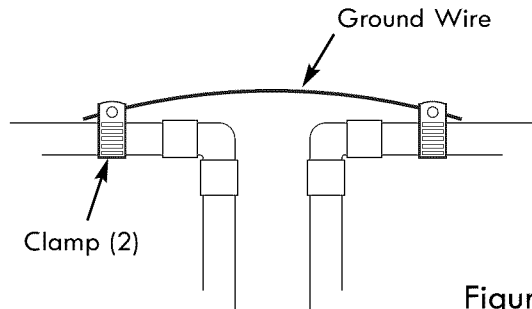


Figure 12

METAL WATER PIPE GROUNDING

IMPORTANT: This water softener has a non-metallic valve system. Installing it on metal plumbing will break electrical continuity, which may interrupt grounding for the home. You must restore electrical continuity in your metal plumbing system.

If you installed a 3-valve bypass system (Fig. 14), electrical continuity will be maintained. If you installed the non-metallic bypass valve (Fig. 13), restore the ground as follows:

Install a #4 copper wire (parts not included) across the removed section of metal water pipe, securely clamping it at both ends (See Fig. 12). Be sure the pipes are clean under the clamps, to assure good contact.

NOTE: If you are installing a sediment filter or other item(s) into the plumbing system, along with the water softener, be sure to restore electrical continuity across all removed metal pipe sections.

INSTALL COVERS

After installing your water softener, put the covers on. Angle the covers so the top cover clips onto the back first, then bring down in front and clip on the tabs inside the rim and lower the salt lid closed (See Fig. 5).

CONNECT TO ELECTRICAL POWER

The softener works on 28V DC electrical power. The included power supply converts 120V AC household power to 28V DC. Plug the water softener's power supply into a grounded, 120V, 60 Hz electrical outlet. Be sure the outlet is always "live" so it cannot be switched off by mistake.

NOTE: The electrical outlet you plug the power supply into must be indoors, protected from weather.

RINSE OUT CARBON FINES

Small particles of carbon filtration material are generated during manufacturing and shipping, which will exit the media tank with the first water flow. These carbon "fines" are not harmful, but give the water a gray color and should be rinsed down the drain before any water from the softener is directed to the home's faucets or water heater.

CAUTION: To avoid water or air pressure damage to softener inner parts, and to flush pipe chips or other residue from the water pipes, be sure to do the following steps exactly as instructed.

1. Make sure the softener's valve drain hose is hooked up and the open end directed to a floor drain, laundry tub or other suitable type of drain.
2. The system should be connected to electrical power.
3. Place bypass valve(s) in "bypass" position (see Figures 13 & 14). On a single valve, slide the stem inward to bypass. On a 3-valve bypass, close the inlet and outlet valves and open the bypass valve.
4. Fully open the house main water pipe shutoff valve.
5. Initiate a regeneration by pressing and holding for 3 seconds the REGENERATION button (see Figure 15 on page 13). The valve motor will start running and the valve will advance to the "Fill" position.
6. After you hear the valve motor stop running (valve in "Fill" position), press, but do not hold, the REGENERATION button. The valve will advance to the "Brine" position.
7. After you hear the valve motor stop running (valve in "Brine" position), press, but do not hold, the REGENERATION button. The valve will advance to the "Backwash" position.
8. Once the unit is in backwash, place bypass valve(s) in SERVICE, EXACTLY as follows:
 - a. Single Bypass Valve: Slowly, slide pull the valve stem outward toward service, pausing several times to allow the softener to pressurize gradually.
 - b. 3-Valve Bypass: Fully close the bypass valve and open the outlet valve. Slowly open the inlet valve, pausing several times to allow the softener to pressurize gradually.
9. Let the softener complete the backwash and fast rinse cycles (takes about 20 minutes). When the regeneration ends, the softener's valve returns to the service position.

Installation

LEAK TEST

To check for leaks, complete the following steps:

1. Fully open two nearby cold water faucets downstream from the softener.
2. Observe steady water flow from both open faucets.
3. After about three minutes, open a hot water faucet for about one minute, or until all air is expelled, then close.
4. Close both cold water faucets.
5. Check your plumbing work for leaks, and fix right away if any are found. Be sure to observe previous caution notes.

NOTE: If this procedure is performed on a new softener, water coming from the taps may initially be discolored. This normally occurs the first time water runs through the resin bed. The discolored water is not harmful, and the discoloration will not last more than a few minutes.

RESTART THE WATER HEATER

Turn on the gas (or electric) supply to the water heater and light the pilot.

YOUR PLUMBING INSTALLATION AND ELECTRICAL WORK ARE NOW COMPLETE.

SINGLE BYPASS VALVE

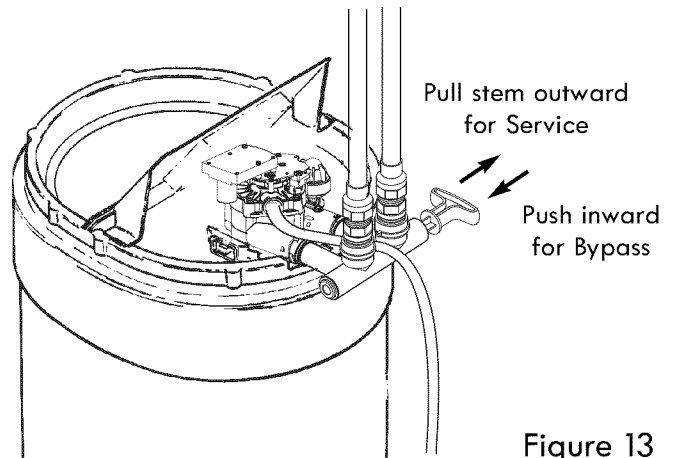


Figure 13

3-VALVE BYPASS

FOR SERVICE
Close bypass valve.
Open inlet & outlet valves.

FOR BYPASS
Open bypass valve.
Close inlet & outlet valves.

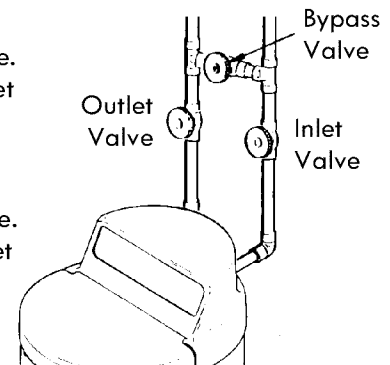


Figure 14

Programming the Softener

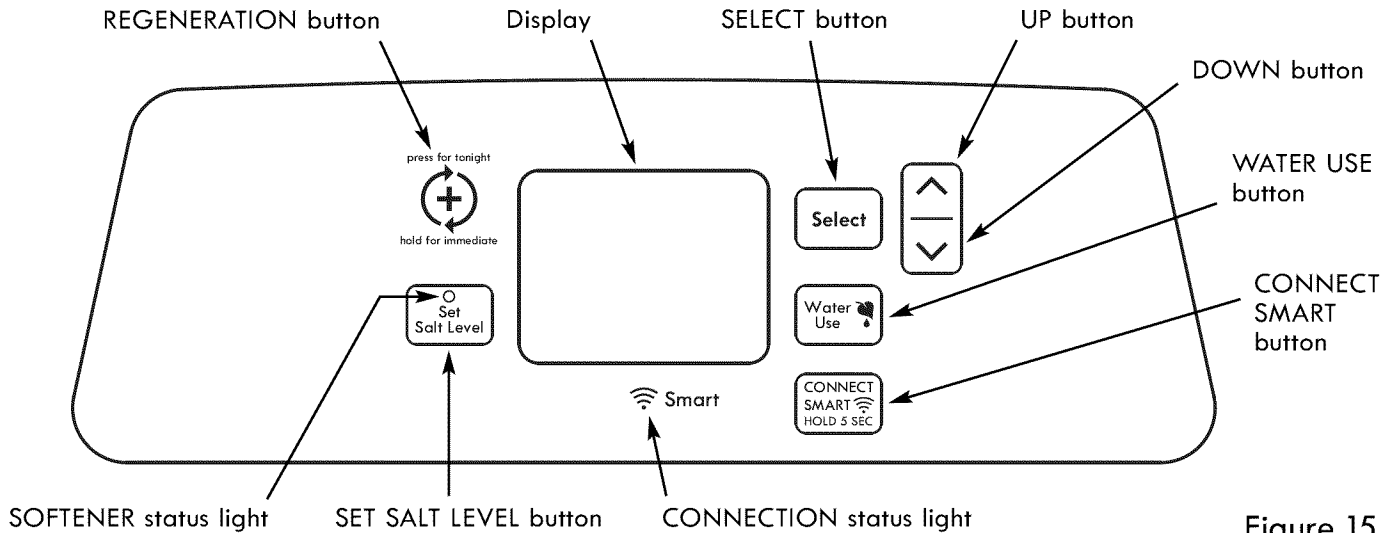


Figure 15

SOFTENER STATUS LIGHT (Yellow)

When the water softener is connected to electrical power, the yellow light on the control panel, above the SET SALT LEVEL button, will operate as follows:

- **Light flashing slowly, along with the salt level indicators in the display** - The salt monitor system indicates a low salt level and needs to be set. See "Salt Monitor System" on Page 19.
- **Light flashing rapidly, with "PRESENT TIME" shown in the display and the clock flashing slowly** - The present time needs to be set, either during initial start up or after a long power outage. See "Set Present Time of Day", on the next page.
- **Light flashing rapidly, with "Err" shown in the display** - The electronic self-diagnostics have detected a problem. See "Troubleshooting" on Page 24.
- **Light on steady (not flashing)** - The softener has power applied and does not require any attention.

CONNECTION STATUS LIGHT (Blue)

When the water softener is connected to electrical power, the blue connection status light on the control panel will operate as follows:

- **Light flashing slowly** - The softener is in "Connect Mode", ready to connect to the Kenmore® cloud. This is normal for a new unit during the first 5 minutes it is powered up. A softener will remain in Connect Mode, awaiting connection, for 5 minutes. After that time, the unit will exit Connect Mode and the light will go off. It can be put back into Connect Mode (ready to connect) by pressing the "CONNECT SMART" button, and holding it for 5 seconds. To connect the system to the Kenmore® cloud, follow the instructions on page 17 after completing the instructions for programming, sanitizing and adding salt on pages 14-16.
- **Light off** - The softener is not currently connected to the Kenmore® cloud, either because it has not yet been connected (see above), or because of a temporary internet service interruption, or because the local wireless router has been replaced.
- **Light on steady (not flashing)** - The softener is currently connected to the Kenmore® cloud.

Programming the Softener

PROGRAM THE SOFTENER

When the power supply is plugged into the electrical outlet, the model code (620) and a version number (example: y2.0), are briefly shown in the display. Then the words "PRESENT TIME" appear and 12:00 PM begins to flash.

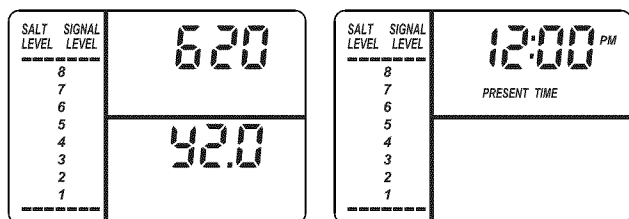


Figure 16

SET PRESENT TIME OF DAY

If the words "PRESENT TIME" do not show in the display, press the SELECT button a few times until they do.

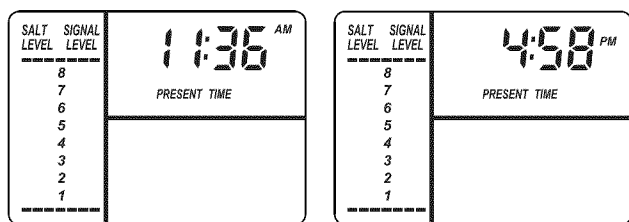


Figure 17

1. Press the \triangle UP or ∇ DOWN buttons to set the present time. Up moves the display ahead; down sets the time back. Be sure AM or PM is correct.

NOTE: Once the unit has been connected to the Kenmore® cloud, the present time will be updated and maintained automatically via Wi-Fi.

2. When the correct time is displayed, press the SELECT button, and the display will change to show the "Hardness" screen.

SET WATER HARDNESS NUMBER

If you completed the previous step, the word "HARDNESS" should show in the display. Otherwise, press the SELECT button several times until it does.

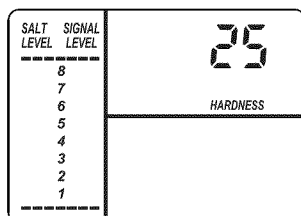


Figure 18

1. Press the \triangle UP or ∇ DOWN buttons to set the hardness of your water supply, in grains per gallon. The default is 25.

NOTE: If your water supply contains iron, compensate for it by adding to the water hardness number. For example, assume your water is 20 gpg hard and contains 2 ppm iron. Add 5 to the hardness number for each 1 ppm of iron. In this example, you would use 30 for your hardness number.

$$20 \text{ gpg hardness} \\ 2 \text{ ppm iron} \times 5 = 10 \quad +10 \\ (\text{times}) \quad \quad \quad 30 \text{ HARDNESS NUMBER}$$

If your water supply contains iron, it is recommended that you clean your water softener resin bed at least every 6 months. Your local Sears store has Water Softener Cleaner (Part Number 34427) available.

2. When finished setting your water's hardness number, press the SELECT button, and the display will change to show the "Recharge Time" screen.

SET RECHARGE (REGENERATION) START TIME

If you completed the previous step, the words "RECHARGE TIME" should show in the display. Otherwise, press the SELECT button several times until they do.

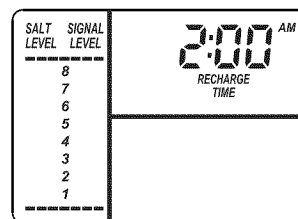


Figure 19

1. The softener's default recharge start time is 2:00 AM. This is normally a time of day when water is not being used in the household. Hard water bypasses the softener if the household draws water during the recharge cycle. If a different recharge start time is desired, press the \triangle UP or ∇ DOWN buttons to change the time, in 1-hour increments. Be sure AM or PM is correct.
2. When the desired recharge start time is displayed, press the SELECT button, and the display will change to show one of the "Salt Type" screens shown in Figure 20.

continued on next page

Programming the Softener

SET SALT TYPE

If you completed the previous step, either "NaCl" (for Sodium Chloride) or "KCl" (for Potassium Chloride) should show in the display. Otherwise, press the SELECT button several times until one of them does.

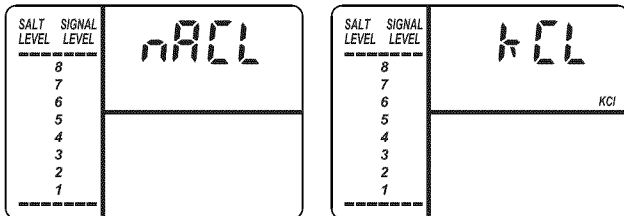


Figure 20

1. Press the \triangle UP or ∇ DOWN buttons to set the type of salt you will be using in your water softener. The default is NaCl (standard Sodium Chloride water softener salt). If you will be using KCl (Potassium Chloride) instead, be sure to set salt type to KCl. This setting adjusts the regeneration cycle times to compensate for the different rate at which KCl dissolves. See also Page 16 for more information on salt types.
2. When the correct salt type is displayed, press the SELECT button, and the display will return to the normal run (time of day) screen.

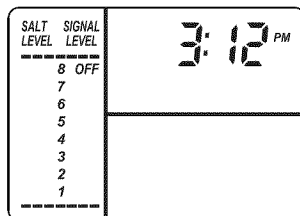


Figure 21

Sanitizing the Softener

SANITIZE THE WATER SOFTENER

1. Open salt lid, remove the brinewell cover and pour about 3 oz. (6 tablespoons) of household bleach into the softener brinewell. Replace the brinewell cover.
2. Make sure the bypass valve(s) is in the "service" (open) position.
3. **Start a recharge:** Press the REGENERATION button and hold for 3 seconds, until "RECHARGE", "Serv" and "Fill" begin to flash in the display. This recharge draws the sanitizing bleach into and through the water softener. Any air remaining in the unit is purged to the drain.
4. After the recharge has completed, fully open a cold water faucet, downstream from the softener, and

allow 50 gallons of water to pass through the system. This should take at least 20 minutes. Close the faucet.

Your new Sears softener is now softening the water for your household needs. However, your **WATER HEATER is filled with hard water**. To have fully soft water right away, you can drain the water heater so it refills with soft water. If you don't drain the water heater, it will take a few days before you have fully soft water.

NOTE: If this procedure is performed on a new softener, water coming from the taps may initially be discolored. This normally occurs the first time water runs through the resin bed. The discolored water is not harmful, and the discoloration will not last more than a few minutes.

Adding Salt to the Storage Tank

ADDING SALT TO THE STORAGE TANK

You must keep salt in the tank, but it is not necessary to fill it full. Especially in humid areas, it is best to fill the storage tank no more than half full, and to add salt more often. Salt "bridging" occurs more often when conditions are humid.

Use NUGGET or PELLET water softener salt. **DO NOT** use rock salts, as they have dirt and sediments that will stop the softener from working. To maintain optimum performance of your water softener, the salt tank should be cleaned out every 2 to 3 years.

POTASSIUM CHLORIDE (KCl) SALT

If you choose Potassium Chloride (KCl) as a regenerant, following these suggestions will help give you years of maintenance free service.

1. Place only one bag of KCl in your softener at a time (the salt storage tank should contain no more than 60 pounds of KCl at any one time).
2. A softener using KCl should not be placed in areas with temperature fluctuations and high humidity (KCl will harden in these environments and may make the softener inoperable).
3. Check the brine tank and brinewell (black tube in salt storage tank) monthly. If hardening is present, pour small amounts of warm water onto hardened areas until they loosen.

4. Be sure to set "Salt Type" on the controller to "KCl". This setting adjusts the regeneration cycle times to compensate for the different rate at which KCl dissolves. See "Set Salt Type" on Page 15.

Persons who are on sodium restricted diets should consider the added sodium as part of their overall sodium intake. For example, if your water supply is 15 grains hard, and you drank 3 quarts of softened water you would consume 335 milligrams of sodium. That is equivalent to eating 2-1/2 slices of white bread.

Persons who are concerned about their drinking water should consider a Kenmore® reverse osmosis drinking water system that will remove in excess of 90% of the sodium and other drinking water contaminants.

WATER SOFTENING SALT WITH IRON REMOVING ADDITIVES

Some salts have an additive to help the softener handle iron in the water supply. These salts may be used if your water supply has a high iron content. It is recommended to use Sears Water Softener Cleaner (refer to the parts list in back of manual for part number) for periodic treatments to keep your resin bed clean. This is available at your local Sears store.

Questions? Call the Kenmore Water Line 1-800-426-9345.

Connecting Your Smart Water Softener to Wi-Fi

The Kenmore® cloud is an innovative and easy way to link your connected lifestyle to your home network for monitoring, control, and peace of mind. Using the instructions below, you will be led through the simple process to bring your smart water softener into the Kenmore® environment.

Now, let's connect!



PREPARE

1. Finish the water softener setup, completing the sections for Installation, Programming the Softener, Sanitizing the System, and Adding Salt to the Storage Tank (on pages 14-16).
2. Make sure that you have a good working internet connection and Wi-Fi home router. This is essential for a successful connection.
3. Using your smartphone, download and install the Kenmore® Smart app.

WI-FI CONNECTION PROCEDURE

1. When the Kenmore® Smart hybrid water softener is first plugged in, the blue Connection status light will flash for 5 minutes, indicating it is ready to connect. If the blue light stops flashing before you are ready to connect, press and hold the CONNECT SMART button for 5 seconds. The blue light will begin flashing for 5 minutes, allowing the connection process to take place.
2. Standing in front of the water softener, open the Kenmore® Smart app.
3. Follow the instructions to create a new account with your preferred e-mail address, or use your Sears ShopYourWay™ account e-mail address (Figure 22).
4. Provide an easily remembered password, or use your Sears ShopYourWay™ password.
5. If this is the first Kenmore® Smart product to be added to your account, the app will guide you step by step through adding your new product and the connection process (Figure 23).

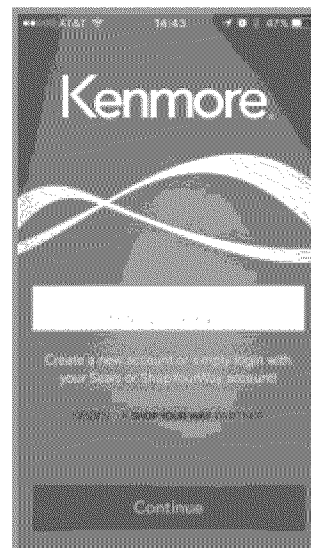


Figure 22

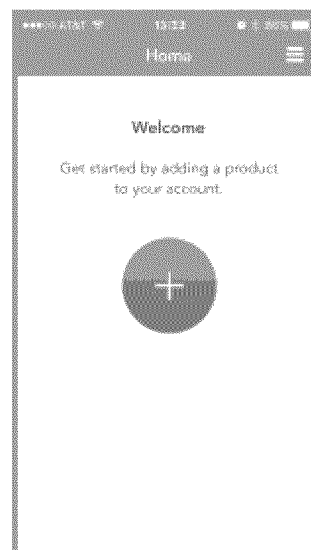


Figure 23

If you need help connecting your Smart Water Softener, visit www.Kenmore.com/smart
If you need help with the functions of your water softener, call 1-844-553-6667

Apple, the Apple logo and iPhone are trademarks of Apple, Inc., registered in the U.S. and other countries. App Store is a service mark of Apple, inc. Google Play and Android are trademarks of Google, Inc.

Questions? Call the Kenmore Water Line 1-800-426-9345.

What Your Hybrid Water Softener Will Do

The Kenmore® Elite Hybrid Water Softener has been designed to include two different types of media, a high quality media that reduces tastes and odors and a high efficiency media to remove hardness minerals.

This Hybrid Water Softener will provide you and your home all the benefits of soft water, while providing whole home chlorine taste and odor reduction and barium and radium 226/228 reduction. You can have fil-

tered water from your kitchen faucet for food preparation and drink, in the bath and shower which will reduce chlorine's aesthetic effect on your skin and hair, and at every bathroom sink for brushing your teeth. There are no filters to change.

Based on NSF-tested rated capacity under NSF/ANSI Standard 42*, the Kenmore® Elite Hybrid Water Softener has an estimated useful life for chlorine taste and odor reduction of over 10 years.

*NSF rated capacity is 570,000 gallons.

Controller Features

EXTRA RECHARGE

Sometimes, a manually initiated recharge (regeneration) may be desired, or needed. Two examples are:

- You have used more water than usual (guests visiting) and you may run out of soft water before the next automatic regeneration.
- You did not add salt to the softener before it ran out. Add salt to the softener before regenerating.

You can start a regeneration immediately, or you can set the controller to regenerate at the next preset recharge time (2:00 AM, or as set).

RECHARGE NOW

Press the REGENERATION button and hold for 3 seconds, until the words "RECHARGE", "Serv" and "Fill" begin to flash in the display. The softener enters the fill cycle of regeneration immediately. This regeneration will take about 2 hours to complete. Then, you will have soft water again.

NOTE: If the "Clean Feature" is set ON, the normal regeneration cycle is preceded by a cleaning backwash and rinse. The words "CLEAN" and "Bkwsh" or "Rinse" flash in the display, along with the minutes of the clean cycle remaining.

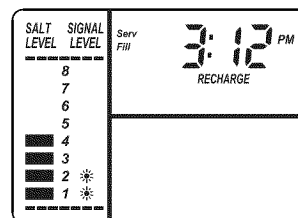


Figure 24

RECHARGE TONIGHT

Press and release (do not hold) the REGENERATION button. "RECHARGE TONIGHT" will begin flashing in the display, and the softener will begin regeneration at the next preset recharge time (2:00 AM, or as set). If you decide to cancel the regeneration before it starts, press and release the REGENERATION button once more. "RECHARGE TONIGHT" will stop flashing in the display.

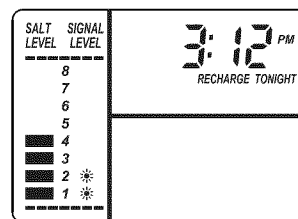


Figure 25

Questions? Call the Kenmore Water Line 1-800-426-9345.

Controller Features

SALT MONITOR SYSTEM

The water softener has a salt monitor indicator light to remind you to add salt to the storage tank.

NOTE: You must set salt level each time salt is added to the water softener.

NOTE: The salt monitor system estimates salt levels, and accuracy will vary with different salts.

To set this monitor system:

1. Lift the salt lid and level the salt in the storage tank.
2. The salt level scale, on the brinewell inside the tank, has numbers from 0 to 8 (see Fig. 26). Observe the highest number the leveled salt is at, or closest to.

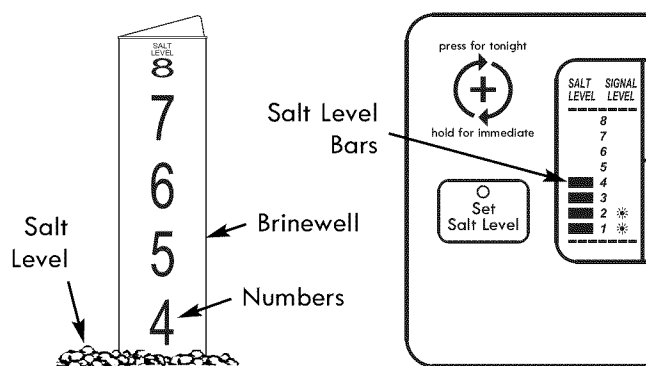


Figure 26

3. Press the SET SALT LEVEL button as many times as necessary to make the salt level bars in the display (see Fig. 26) match the number on the brinewell. At level 2 or below, the "Low Salt" indicator will flash.
4. If you want to turn the salt monitor off, press the SET SALT LEVEL button past 8, until "OFF" shows in the display next to the number 8.

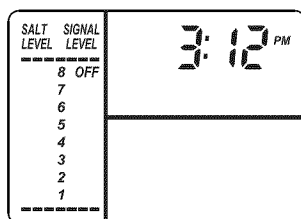
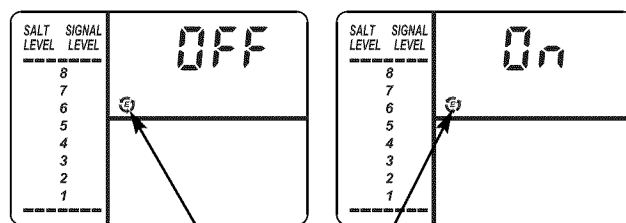


Figure 27

OPTIONAL SETTINGS:

- SALT EFFICIENCY
- CLEAN FEATURE
- CLEAN FEATURE MINUTES
- 97% FEATURE
- 12 / 24 HOUR CLOCK
- GALLONS / LITERS
- MAXIMUM DAYS BETWEEN REGENERATIONS
- BACKWASH & FAST RINSE TIMES

1. To set any of these options, press and hold SELECT for 3 seconds until "000" shows in the display. Then press (do not hold) SELECT again to display one of the "Salt Efficiency" screens shown below.



Efficiency Icon

Figure 28

SALT EFFICIENCY: When this feature is ON, the water softener will operate at salt efficiencies of 4000 grains of hardness per pound of salt or higher. The softener may recharge more often using smaller salt dosage and less water. This softener is shipped with the efficiency feature set OFF. **Installations in the State of California require this setting to be turned ON.** Use the Δ UP or ∇ DOWN buttons to change between OFF and ON.

California Efficiency Requirement

Your Kenmore® Water Softener has a "High Efficiency" feature that can be set ON or OFF. This softener is shipped with the efficiency feature set OFF, which will utilize the maximum rated capacity while most often achieving maximum salt efficiencies. When installing this unit in the State of California, you **MUST** turn the efficiency feature ON. The softener may initiate more frequent recharges, but it will operate at 4000 grains per pound of salt or higher.

Controller Features

2. Press SELECT again to display one of the “Clean” screens shown below.

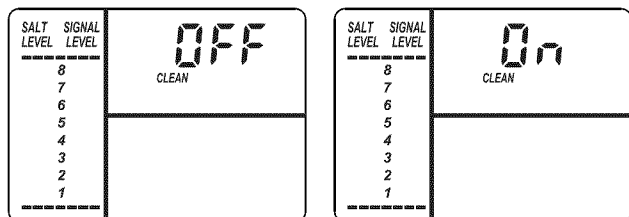


Figure 29

CLEAN: This feature is beneficial on water supplies containing iron and/or high amounts of sediments (sand, silt, dirt, etc.). When set to ON, a backwash and fast rinse cycle will occur first, preceding the normal regeneration sequence. This provides extra cleaning of the resin bed before it is regenerated with the salt brine. To conserve water, if your water supply does not contain iron or sediments, be sure this feature is set to OFF. The default is OFF. Use the Δ UP or ∇ DOWN buttons to change between OFF and ON.

3. Press SELECT again to display the “Clean Time” screen shown below.

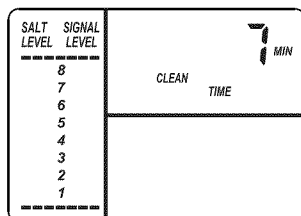


Figure 30

CLEAN FEATURE MINUTES: If you have set the Clean Feature ON, the length of the extra backwash cycle automatically is set to 7 minutes. However, you can adjust this time from 1 to 15 minutes in length. To change this cycle time, use the Δ UP button to increase the time, or the ∇ DOWN button to shorten the time. If no change is desired, continue to next step.

4. Press SELECT again to display the “97%” screen.

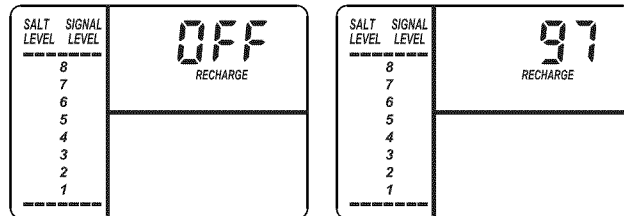


Figure 31

97% FEATURE: The 97% Feature can save salt and water by regenerating when 97% of the softener’s capacity has been used up. With this feature ON, the regeneration can occur at any time (whenever the system has reached 97% of its capacity). The default is OFF. If this feature is desired, turn it on by pressing the Δ UP button.

5. Press SELECT again to display the “12 or 24 hr” screen.

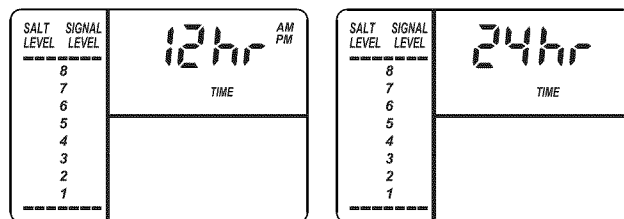


Figure 32

12 OR 24 HOUR CLOCK: All time displays are shown in standard clock time (1 to 12 AM; and 1 to 12 PM) at the 12 hr default setting. If 24 hour time format is desired, set to 24 hr by pressing the Δ UP button.

Controller Features

6. Press SELECT again to display the “Gallons or Liters” screen.

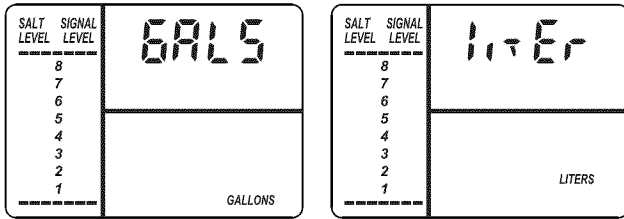


Figure 33

GALLON OR LITER READINGS: Water usage and flow rate displays are shown in gallons at the default setting. If you prefer liters, change this setting from “Gals” to “Liter” by pressing the Δ UP button.

7. Press SELECT again to display the “Recharge Days” screen.

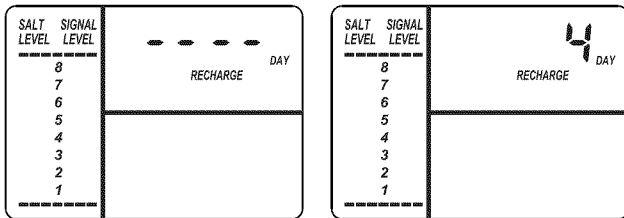


Figure 34

MAXIMUM DAYS BETWEEN REGENERATIONS: The electronic controller automatically determines regeneration frequency. This provides the greatest operating efficiency and, under most conditions this feature will be left in its default mode. However, you can set this feature to force a regeneration every set number of days. You may want to do this if, for example, your water supply contains iron and you want the softener to regenerate at least once every few days to keep the resin bed clean. Use the Δ UP or ∇ DOWN buttons to change the number of days (up to 15). If no change is desired, continue to next step.

8. Press SELECT again to display the “Backwash Time” setting screen.

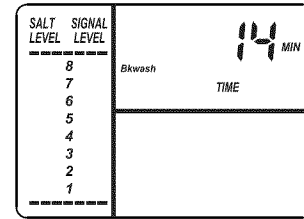


Figure 35

BACKWASH & FAST RINSE TIMES: If you experience salty tasting water after regeneration, you may need to increase the backwash and fast rinse times. The default backwash time is 14 minutes and the default fast rinse time is 6 minutes. However, you may increase or decrease the backwash and fast rinse times, in 1 minute increments.

If you wish to change the backwash time, use the Δ UP or ∇ DOWN buttons to set the backwash time between 1 and 30 minutes. Then press SELECT to display the “Fast Rinse Time” setting screen.

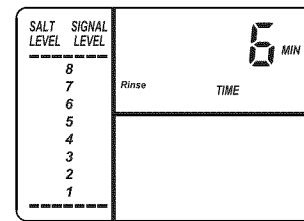


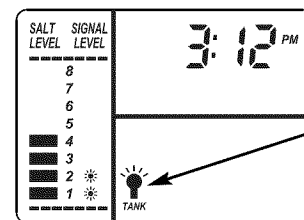
Figure 36

If you wish to change the fast rinse time, use the Δ UP or ∇ DOWN buttons to set the fast rinse time between 1 and 30 minutes.

9. Press SELECT to return to the normal run (time of day) screen.

TANK LIGHT

A light inside the salt storage tank will come on whenever you open the salt lid. A “Tank Light” icon is displayed when this light is on. The light turns off when you close the salt lid. It will also turn off automatically after 15 minutes if the salt lid is left open.



Tank Light Icon

Figure 37

Controller Features

WATER FLOW THROUGH THE SOFTENER

To view the flow rate through the softener in gallons (or liters) per minute, press the WATER USE button. If soft water is in use, the flow rate will be displayed to the nearest tenth of a gallon (or liter). The display will show "0" when all faucets and water using appliances are off.

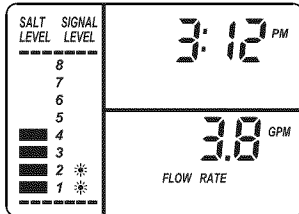


Figure 38

AVERAGE DAILY GALLONS OR LITERS

Press the WATER USE button a second time to display the average number of gallons (or liters) of soft water that the household uses each day. This water usage figure is recalculated daily by the electronic controller. To turn this display off, press the WATER USE button once again.

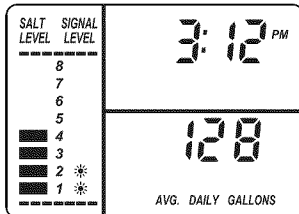


Figure 39

RECHARGE TIME REMAINING & VALVE POSITION INDICATORS

One of the valve position indicators (Serv, Fill, Brine, Bkwh, Rinse) is displayed while the softener is recharging. RECHARGE flashes in the display and, beginning with Brine, the minutes of recharge remaining before return to service appears in place of the present time. When the valve is moving from one cycle to another, both position indicators are flashing.

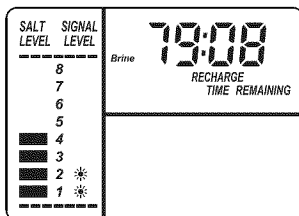


Figure 40

PROGRAM MEMORY

If electrical power to the softener goes off, the time display is blank but the electronic controller keeps the correct time for several hours. When electrical power comes on again, you will have to reset the present time only if the display is flashing. The HARDNESS and RECHARGE TIME never require resetting unless a change is desired. Even if the clock is incorrect after a long power outage, the softener works as it should to keep your water soft, however, regenerations may occur at the wrong time of day until you reset the clock to the correct time of day.

KENMORE'S ULTRA CLEANSING FEATURE

The ultra cleansing feature keeps larger particles of sediment from entering the home's plumbing system. As water passes through the softener, the larger sediment particles are collected in the integrated basket and then rinsed to the drain before each regeneration. The ultra cleansing feature provides added protection for water using appliances by reducing the chance of larger particles entering the various products valves and screens. The "Clean Feature" may be turned ON to provide an extra backwash that will help keep the ultra cleansing screen clean. The default is OFF.

IMPORTANT: The ultra cleansing feature is not intended to replace pretreatment filtration. For problem water applications, additional sediment filtration is recommended.

Sears offers a full line of dedicated sediment filtration products.

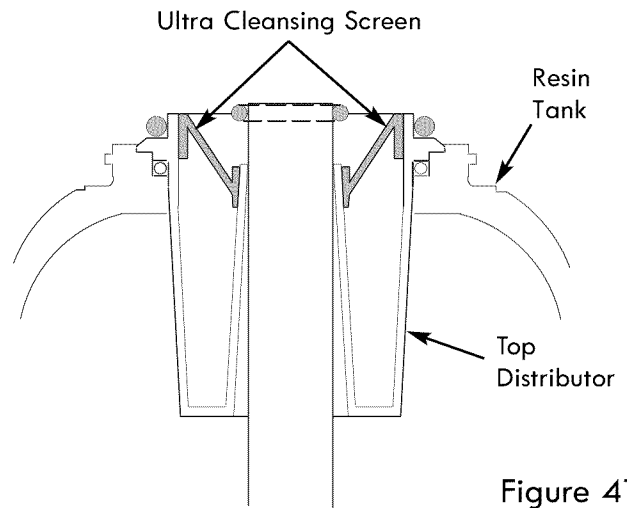


Figure 41

Questions? Call the Kenmore Water Line 1-800-426-9345.

Care of Your Water Softener

SALT BRIDGE

Sometimes, a hard crust or salt "bridge" forms in the brine tank. It is usually caused by high humidity or the wrong kind of salt. When the salt "bridges," an empty space forms between the water and the salt. Then, salt will not dissolve in the water to make brine. Without brine, the resin bed is not recharged and hard water will result.

If the storage tank is full of salt, it is difficult to tell if you have a salt bridge. A bridge may be underneath loose salt. Take a broom handle, or like tool, and hold it next to the water softener. Measure the distance from the floor to the rim of the water softener. Then, gently push the broom handle straight down into the salt. If a hard object is felt before the pencil mark is even with the top, it is most likely a salt bridge. Gently push into the bridge in several places to break it. Do not use any sharp or pointed objects as you may puncture the brine tank. Do not try to break the salt bridge by pounding on the outside of the salt tank. You may damage the tank.

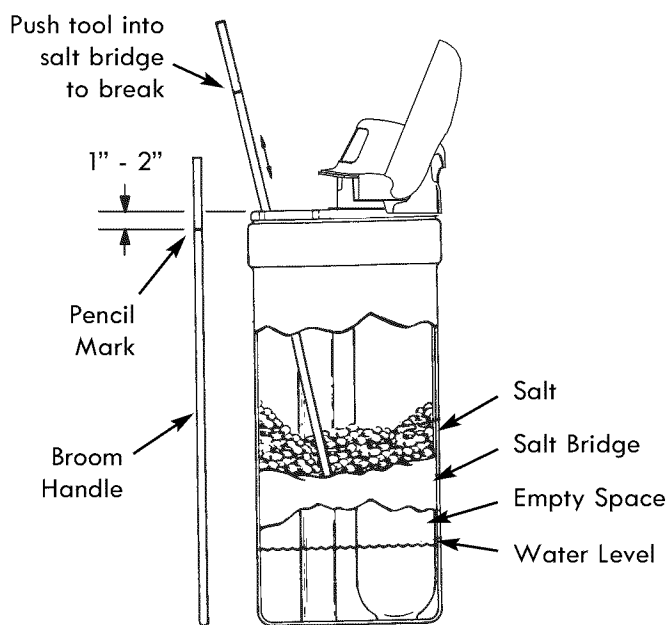


Figure 42

Service Information

ALWAYS MAKE THESE INITIAL CHECKS FIRST

1. Does the time display show the correct time of day?
 - If display is blank, check power source to the softener.
 - If time is flashing, power was off for a long period. The softener resumes normal operation but regenerations occur at the wrong time.
 - If an error code (example: "Err3") shows in the display, go to "Troubleshooting".
2. Are bypass valve(s) fully in service position?
3. Are the inlet and outlet pipes connected to the softener inlet and outlet respectively?
4. Is the softener's power supply plugged into a "live", grounded wall outlet, and the power cable fastened securely to the controller?
5. Is the valve drain hose free of kinks and sharp bends, and not elevated more than 8 ft. above the floor?
6. Is there salt in the storage tank?
7. Is the brine tubing connected? Brine tubing connects to nozzle/venturi and brine valve assembly.
8. Press the SELECT button twice to display the hardness setting. Make sure it is correct for the household's water supply. Perform a hardness test of the untreated incoming water and compare with the hardness setting. Also test a soft water sample to verify if a problem exists. Press the SELECT button several more times to return to present time display.

Service Information

TROUBLESHOOTING

If your water softener does not work properly, make the following easy checks. Often, you will find what is wrong yourself and you won't have to call and wait for service. If you do not find anything wrong while making the checks, and your softener still does not work properly, call Kenmore Water Line at 1-800-426-9345.

PROBLEM	CAUSE	CORRECTION
No soft water	No salt in the storage tank.	Add salt and then use RECHARGE NOW feature.
No soft water & display is blank	Power supply unplugged at wall outlet, or power cable disconnected from back of electronic board or power supply malfunction.	Check for loss of power and correct. Reprogram electronic control and then use RECHARGE NOW feature.
	Fuse blown, circuit breaker tripped, or circuit switched off (see "Power Outage Memory").	Replace fuse, reset circuit breaker, or switch circuit on, and then use RECHARGE NOW feature.
No soft water & salt level not dropping	Salt storage tank "bridged".	Refer to "Breaking a Salt Bridge".
	Bypass valve(s) in "bypass" position.	Move bypass valve(s) to "service" position.
No soft water & salt storage tank full of water	Dirty, plugged or damaged nozzle & venturi assembly	Take apart, clean and inspect nozzle & venturi (see instruction decal under salt lid).
	Valve drain hose is plugged or restricted.	Hose must not have any kinks, sharp bends or any water flow blockage (See "Valve Drain Requirements").
Intermittent hard water	Incorrect time set.	Check and change time setting.
	Incorrect water hardness set.	Refer to "Set Water Hardness Number" to set correctly.
	Hot water being used when softener is regenerating.	Avoid using hot water while the softener is regenerating, as the water heater will fill with hard water.
	Possible increase in water hardness.	Test untreated water for hardness and iron. Program the water softener accordingly (see "Set Water Hardness Number").
Brine tank flooded	Valve drain hose is plugged or restricted.	Hose must not have any kinks, sharp bends or any water flow blockage (See "Valve Drain Requirements").
	Dirty, plugged or damaged nozzle & venturi assembly.	Take apart, clean and inspect nozzle & venturi (see "Cleaning the Nozzle & Venturi").
Salty tasting water immediately after regeneration	Backwash and fast rinse cycle times are not long enough.	Increase backwash & fast rinse times (see "Back Wash & Fast Rinse Times").
	Valve drain hose is plugged or restricted.	Hose must not have any kinks, sharp bends or any water flow blockage (see "Valve Drain Requirements").
Error code appears (example: "Err3")	Fault in electronic controller or wiring harness connections to position switch, position switch inoperable or motor inoperable.	Unplug power cord. Check all wiring connections to be sure they are secure. Plug in power cord and wait 8 minutes. If error code returns, call Kenmore Water Line.

Questions? Call the Kenmore Water Line 1-800-426-9345.

Service Information

MANUALLY INITIATED ELECTRONIC DIAGNOSTICS

- To enter diagnostics, press the SELECT button and hold for three seconds. The display will change to show turbine count, valve cycle position, and position switch status (open or closed).

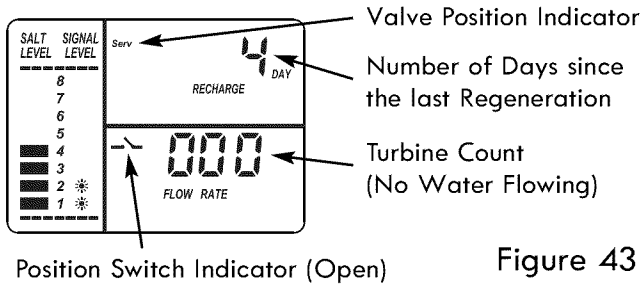


Figure 43

TURBINE OPERATION: If no water is flowing through the softener, the turbine indicator displays three zeros. When water is flowing, a 000 to 199 count repeats for each gallon of water passing through the turbine. To check for positive operation of the turbine if zeros are shown, open a nearby soft water faucet and observe the turbine count. If you don't get a reading in the display with faucet open, pull the sensor housing from the valve outlet port (see Fig. 45). Pass a small magnet back and forth in front of the sensor. You should get a reading in the display. If you get a reading, unhook the inlet and outlet plumbing and check the turbine for binding.

POSITION SWITCH STATUS: With the valve in service, or any of the recharge cycle positions, the position switch indicator will show the switch open. While the valve is rotating from one position to another, the position switch indicator will show the switch closed. There is likely a problem if indications vary from this pattern.

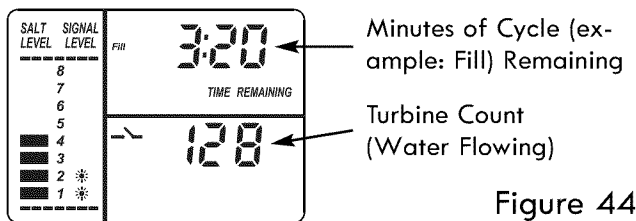


Figure 44

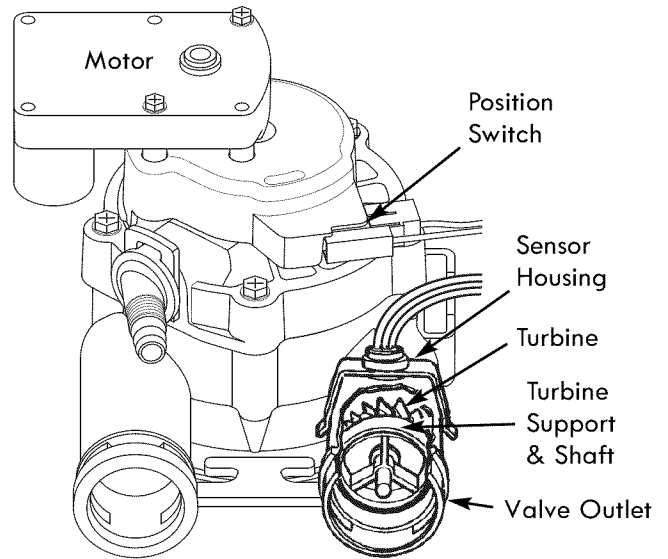


Figure 45

OTHER INFORMATION: While in the diagnostics screen, the following information is available and may be beneficial for various reasons. This information is retained by the electronic controller from the first time electrical power is applied to the unit.

- Press and hold the Δ UP button to display the number of days this controller has had electrical power applied.
- Press and hold the ∇ DOWN button to display the number of regenerations initiated by this controller since the model code number was entered.

NOTE: If the electronic controller is left in the diagnostic display (or a flashing display when setting times or hardness), the normal time of day display automatically returns if a button has not been pressed for 4 minutes. To return to the diagnostic display, repeat step 1, above.

Service Information

MANUAL ADVANCE REGENERATION CHECK

This check verifies proper operation of the valve motor, brine tank fill, brine draw, regeneration flow rates, and other controller functions. Always make the initial checks first, and perform the manually initiated electronic diagnostics.

NOTE: The display must show a steady time (not flashing). If an error code shows, first press the SELECT button to enter the diagnostic display.

1. Press the REGENERATION button and hold in for 3 seconds. "RECHARGE", "Serv" and "Fill" begin to flash in the display as the softener enters the fill cycle of regeneration.
2. When valve reaches "Fill" position, remove the brinewell cover and, using a flashlight, observe fill water entering the tank.
3. If water does not enter the tank, look for an obstructed nozzle, venturi, fill flow plug, brine tubing, or brine valve riser pipe.
4. After observing fill, press the REGENERATION button to move the softener into brining. A slow flow of water to the drain will begin. Verify brine draw from the brine tank by shining a flashlight into the brinewell and observing a noticeable drop in the liquid level.
5. If the softener does not draw brine:
 - nozzle and/or venturi dirty
 - nozzle and venturi not seated properly on gasket
 - restricted drain (check drain fitting and hose)
 - ineffective nozzle and venturi seal
 - other inner valve problem (rotor seal, rotor & disc, wave washer, etc.)

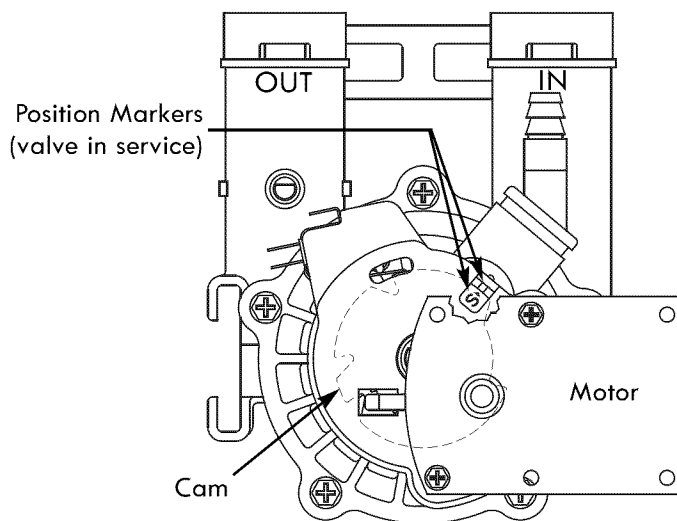


Figure 46

NOTE: If water system pressure is low, an elevated drain hose may cause back pressure, stopping brine draw.

6. Again press REGENERATION to move the softener into backwash. Look for a fast flow of water from the drain hose.
7. An obstructed flow indicates a plugged top distributor, backwash flow plug or drain hose.
8. Press REGENERATION to move the softener into fast rinse. Again look for a fast drain flow. Allow the softener to rinse for a few minutes to flush out any brine that may remain in the resin tank from the brining cycle test.
9. To return the softener to service, press REGENERATION once more.

Questions? Call the Kenmore Water Line 1-800-426-9345.

Service Information

RETURNING TO CONNECT MODE

Once a connection has been made to the Kenmore® cloud, as described on page 16, the softener's electronic controller will maintain it. If, for example, connection is temporarily lost due to an internet service interruption, the system will automatically reconnect when service is restored.

An exception is if you replace your local Wi-Fi router. The softener will not automatically connect to the new router, but must be manually placed into Connect Mode and connected again.

To return the softener to Connect Mode:

1. Press the CONNECT SMART button and hold for 5 seconds.
2. The blue connection status light should begin flashing, indicating that the unit is in Connect Mode awaiting connection.
3. Connect the system to the Kenmore® cloud, as described on page 17.

RESETTING TO FACTORY DEFAULTS

To reset the electronic controller to its factory default for all settings (time, hardness, etc.):

1. Press the SELECT button and hold it until the display changes twice to show the flashing model code.
2. Press the \triangle UP button to display a flashing "SoS".

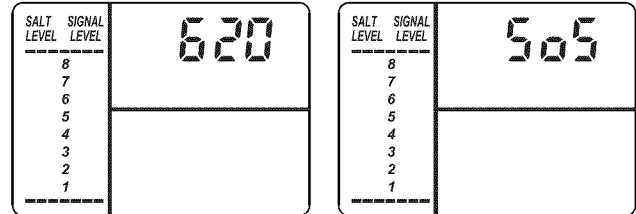


Figure 47

3. Press the SELECT button, and the electronic controller will restart.
4. Set the present time, hardness, etc., as described on pages 14 & 15.

WIRING SCHEMATIC

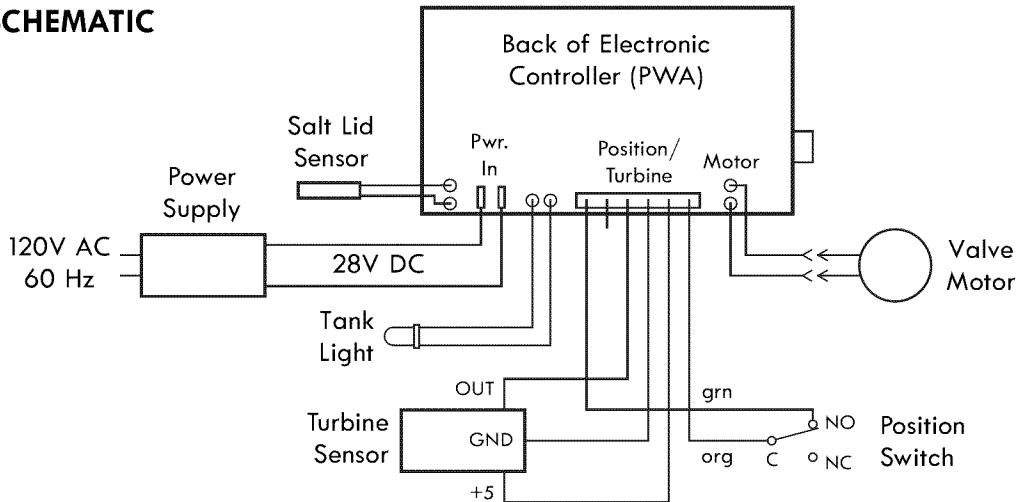


Figure 48

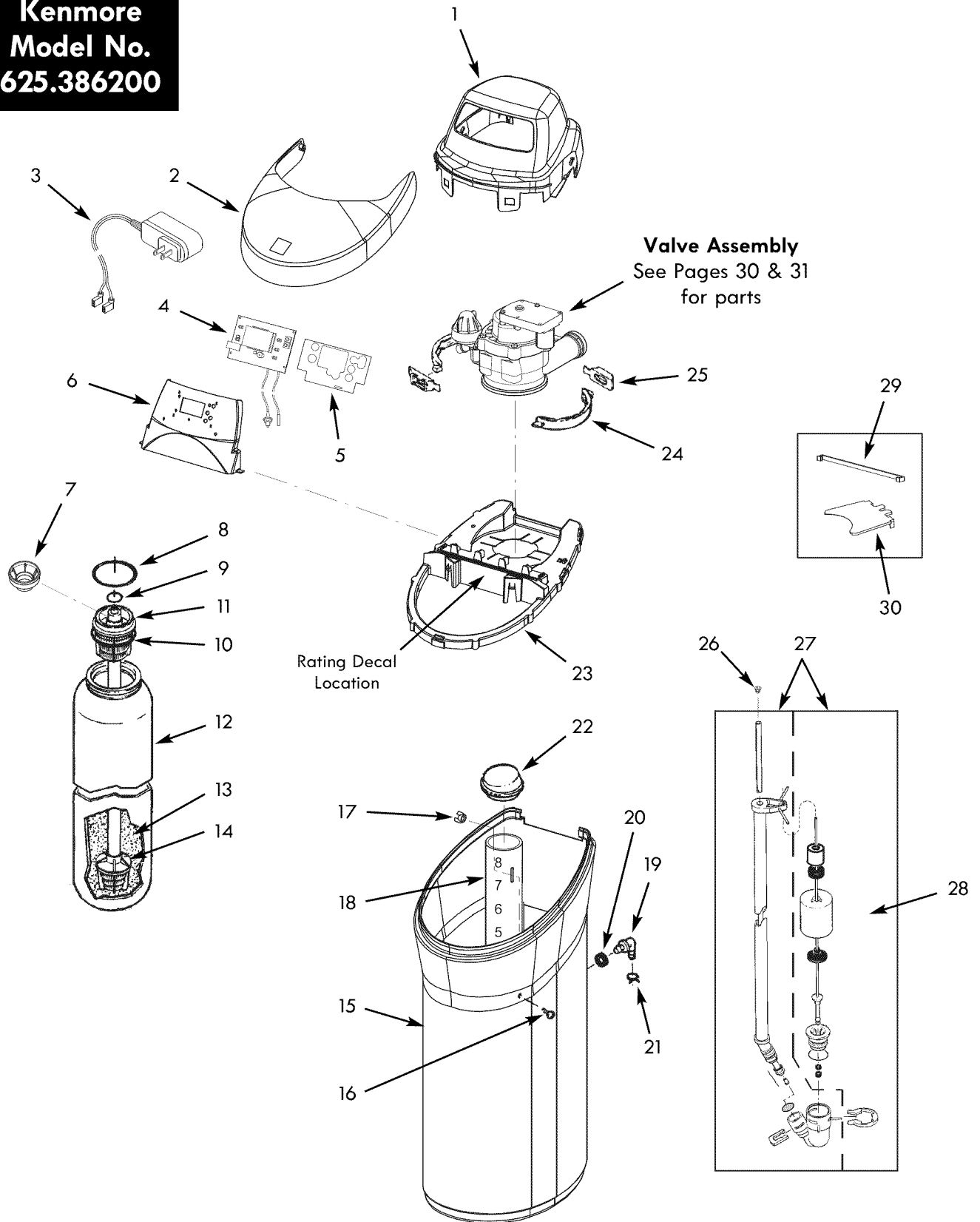


European Directive 2002/96/EC requires all electrical and electronic equipment to be disposed of according to Waste Electrical and Electronic Equipment (WEEE) requirements. This directive or similar laws are in place nationally and can vary from region to region. Please refer to your state and local laws for proper disposal of this equipment.

Questions? Call the Kenmore Water Line 1-800-426-9345.

Water Softener Exploded View

**Kenmore
Model No.
625.386200**



Questions? Call the Kenmore Water Line 1-800-426-9345.

Softener Parts List

Key No.	Part No.	Description
1	7329803	Top Cover
2	7354256	Salt Lid (includes Kenmore badge & instruction decal)
3	7337482	Power Supply 28V DC
4	7354214	Repl. Electronic Controller (PWA)
5	7354248	Heat Shield
6	7354264	Faceplate (includes faceplate decal)
7	7265025	Ultra Cleansing Screen
-	7112963	Distributor O-Ring Kit (includes Key Nos. 8-10)
8	↑	O-Ring, 2-7/8" x 3-1/4"
9	↑	O-Ring, 13/16" x 1-1/16"
10	↑	O-Ring, 2-3/4" x 3"
11	7077870	Top Distributor
12	7247996	Repl. Resin Tank, 10" x 40"
13	0502272	Resin
	7301619	Activated Carbon
14	7327584	Repl. Bottom Distributor
15	7338365	Salt Storage Tank
-	7327576	Brinewell Mounting Hardware Kit (includes Key Nos. 16 & 17)
16	↑	Screw, 1/4-20 x 5/8"
17	↑	Wing Nut, 1/4-20

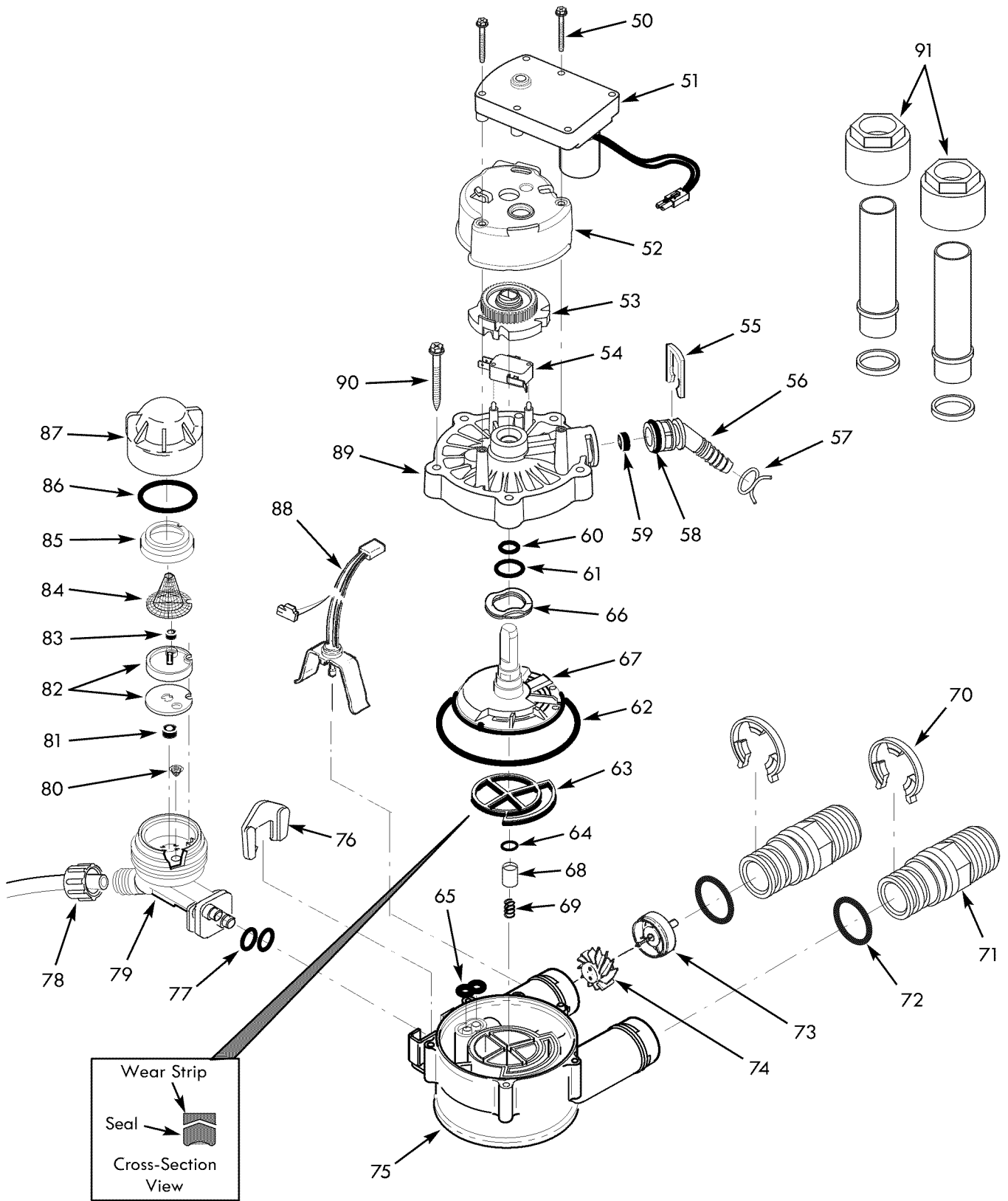
Key No.	Part No.	Description
18	7214375	Brinewell Assembly (including salt level decal)
-	7331258	Overflow Hose Adaptor Kit (includes Key Nos. 19-21)
19	↑	Adaptor Elbow
20	↑	Grommet
21	↑	Hose Clamp
22	7155115	Brinewell Cover
23	7325396	Rim
-	7331177	Tank Neck Clamp Kit (includes 2 ea. of Key Nos. 24 & 25)
24	↑	Clamp Section (2 req.)
25	↑	Retainer Clip (2 req.)
26	7171349	Cone Screen
27	7310202	Brine Valve Assembly
28	7327568	Float, Stem & Guide Assembly
29	-	Cover Lock (for shipping only)
30	-	Rim Insert (for shipping only)
■	3442707	Water Softener Cleaner *
■	7278549	Parts Bag, containing: 5 Clips (see Key No. 70), 2 ea. of Key Nos. 21 & 71, 1 ea. of Key Nos. 19, 20 & 92
■	7354206	Owner's Manual

■ Not illustrated.

* Not included with water softener.

Questions? Call the Kenmore Water Line 1-800-426-9345.

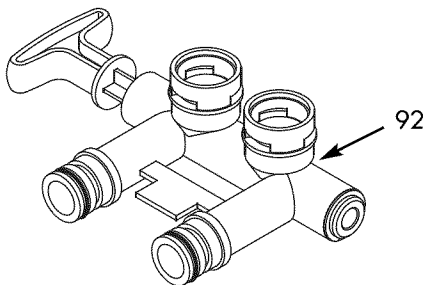
Valve Assembly Exploded View



Questions? Call the Kenmore Water Line 1-800-426-9345.

Valve Parts List

Key No.	Part No.	Description
50	7338111	Screw, #6-19 x 1-3/8" (2 req.)
51	7281291	Motor
52	7337474	Motor Mount
53	7284964	Cam & Gear
54	7030713	Switch
-	7331185	Drain Hose Adaptor Kit (incl. Key Nos. 55-59)
55	↑	Clip, Drain
56	↑	Adaptor, Drain Hose
57	↑	Hose Clamp
58	↑	O-Ring, 5/8" x 13/16"
59	↑	Flow Plug, 2.0 gpm
-	7129716	Seal Kit (includes Key Nos. 60-65)
60	↑	O-Ring, 7/16" x 5/8"
61	↑	O-Ring, 3/4" x 15/16"
62	↑	O-Ring, 3-3/8" x 3-5/8"
63	↑	Rotor Seal
64	↑	O-Ring, 3/8" x 9/16"
65	↑	Seal, Nozzle & Venturi
66	7082087	Bearing, Wave Washer
67	7199232	Rotor & Disc
-	7342665	Drain Plug Kit, 3/4" (includes Key Nos. 64, 68 & 69)
68	↑	Plug, Drain Seal
69	↑	Spring
70	7337563	Clip, 3/4", pack of 4
71	7342673	Installation Adaptor, 3/4", pack of 2, including 2 ea. Clips & O-Rings (See Key Nos. 70 & 72)
72	7337571	O-Ring, 15/16" x 1-3/16", pack of 4



Key No.	Part No.	Description
-	7113040	Turbine & Support Assembly, including 2 O-Rings (See Key No. 72) & 1 ea. of Key Nos. 73 & 74
73	↑	Turbine Support & Shaft
74	↑	Turbine
75	7082053	Valve Body
76	7081201	Retainer, Nozzle & Venturi
77	7342649	O-Ring, 1/4" x 3/8", pack of 2
78	1202600	Nut - Ferrule
-	7257454	Nozzle & Venturi Assembly (includes Key Nos. 76, 77 & 79-87)
79	7081104	Housing, Nozzle & Venturi
80	7095030	Cone Screen
81	1148800	Flow Plug, 0.3 gpm
82	7114533	Nozzle & Venturi Gasket Kit
	7204362	Gasket (only)
83	7084607	Flow Plug, 0.15 gpm
84	7146043	Screen
85	7167659	Screen Support
86	7170262	O-Ring, 1-1/8" x 1-3/8"
87	7199729	Cap
88	7309803	Wire Harness (Sensor)
89	7337466	Valve Cover
90	7342657	Screw, #10-14 x 2", pack of 5
91	7254260	Installation Adaptor Kit, (includes 2 ea. copper tubes, nuts, clips & washers) *
92	7278434	Bypass Valve Assembly, 3/4", including 2 O-Rings (See Key No. 72)
■	7139999	Drain Tubing, 3/8" I.D. x 20 ft.
■	7123613	Silicone Grease (for O-Rings) *
■	42-34405	Flexible Connectors, 3/4" *
■	42-34407	Flexible Connectors, 1" *

■ Not illustrated.

* Not included with water softener.

Questions? Call the Kenmore Water Line 1-800-426-9345.

Kenmore®

For Sears Home Services in-home repair
of all Kenmore major appliances.

For the replacement parts, accessories and
Use & Care Guides that you need to do-it-yourself.

For professional installation of major home appliances
and items like air conditioners and water heaters.

1-844-553-6667

www.kenmore.com

In Canada 1-800-469-4663

www.sears.ca

Call anytime for the location of your nearest
Sears Parts & Repair Service Center

1-800-488-1222 (U.S.A.)

1-800-469-4663 (Canada)

To purchase a protection agreement on a serviceable product:

1-800-827-6655 (U.S.A.)

1-800-361-6665 (Canada)

Para pedir servicio de reparación
a domicilio, y ordenar piezas:

1-888-SU-HOGAR®

(1-888-784-6427)

www.kenmore.com

Au Canada pour service en français:

1-800-LE-FOYER^{MC}

(1-800-533-6937)

www.sears.ca



Use & Care Guide
Manual de Uso y Cuidado

English / Español



System tested and certified by NSF International against NSF/ANSI Standard 42 for the reduction of chlorine taste and odor, and Standard 44 for hardness reduction, efficiency and the reduction of barium and radium 226/228, and certified to NSF/ANSI Standard 372.

Este sistema ha sido probado y certificado por NSF International según la norma NSF/ANSI 42 para la reducción del sabor y el olor a cloro, y la norma 44 para la reducción de la dureza, eficiencia y la reducción del bario y del radio 226/228, y certificado según la norma NSF/ANSI 372.

Model / Modelo No. 625.386200

Kenmore® Elite

Smart Hybrid Water Softener

A water softener and a whole home filter in one

Ablandador Híbrido de Agua Inteligente

Un ablandador de agua con filtro integrado para toda la casa

Sears Brands Management Corporation
3333 Beverly Road
Hoffman Estates, IL 60179 U.S.A.
www.kenmore.com



P/N 7354206 (Rev. A 4/29/16)

Garantía

GARANTÍA LIMITADA DE KENMORE ELITE®

CON EL COMPROBANTE DE VENTA, la siguiente cobertura de garantía rige cuando este ablandador de agua se haya conectado, instalado, operado y mantenido conforme a todas las instrucciones suministradas. En todos los casos, las unidades de repuesto, los tanques, tambores o piezas están garantizados únicamente durante la parte que no haya vencido del período de garantía a partir de la fecha de venta original.

Este ablandador de agua está garantizado contra defectos de material o mano de obra DURANTE UN AÑO a partir de la fecha de venta. Todo ablandador de agua defectuoso será reparado o reemplazado, a opción del vendedor.

Todas las piezas del ablandador de agua están garantizadas contra defectos de material o mano de obra DURANTE TRES AÑOS a partir de la fecha de venta. Si una pieza presenta defectos dentro del primer año, se proporcionará e instalará una nueva sin costo alguno. Si una pieza presenta defectos después del primer año, se proporcionará una nueva, pero su instalación tendrá un costo. Usted es responsable del costo de la mano de obra de instalación de la pieza después del primer año tras la fecha de venta.

Este ablandador de agua está garantizado contra fugas en el tanque y el tambor de almacenamiento de sal DURANTE DIEZ AÑOS a partir de la fecha de venta. Si se produce una fuga en el tanque o el tambor dentro del primer año, se proporcionará e instalará un tanque o tambor nuevo sin costo alguno. Si se produce una fuga en el tanque o el tambor después del primer año, se proporcionará e instalará un tanque o tambor nuevo, pero su instalación tendrá un costo. Usted es responsable del costo de la mano de obra de instalación del tanque o del tambor después del primer año tras la fecha de venta.

Para conocer los detalles de cobertura de la garantía a fin de obtener la reparación o el reemplazo sin costo, visite la página web: www.kenmore.com/warranty

Esta garantía rige solo durante dos años para el tanque y el tambor, y un año para todas las demás piezas si el ablandador de agua es utilizado en una residencia de más de una familia o en una instalación comercial, institucional o industrial.

Esta garantía solo cubre defectos de material y mano de obra y NO pagará:

1. Artículos consumibles que pueden desgastarse debido al uso normal, incluidos, entre otros, filtros, correas, bolsas o bombillas que se enroscan por la base.
2. A un técnico de servicio para limpiar o dar mantenimiento a este aparato, o para instruir al usuario sobre la forma correcta de instalarlo, operarlo o mantenerlo.
3. Visitas de servicio para corregir la instalación del aparato no efectuada por agentes de servicio autorizados de Sears, o para reparar problemas con fusibles domésticos, cortacircuitos, cableado doméstico y sistemas de suministro de plomería y gas resultantes de dicha instalación.
4. Daños o fallas de este aparato causados por la instalación no efectuada por agentes de servicio autorizados de Sears, incluida la instalación que no estaba de acuerdo con los códigos eléctrico, de gas o plomería.
5. Daños o fallas de este aparato, incluidos decoloración u óxido de superficie, si no es operado ni mantenido correctamente de acuerdo con las instrucciones suministradas.
6. Daños o fallas de este aparato, incluidos decoloración u óxido de superficie, originados por accidente, modificación, maltrato, uso incorrecto o uso distinto al propósito del diseño.
7. Daños o fallas de este aparato, incluidos decoloración u óxido de superficie, causados por el uso de detergentes, productos de limpieza, productos químicos o utensilios que no sean los recomendados en todas las instrucciones suministradas con el producto.
8. Daños o fallas de piezas o sistemas originados por modificaciones no autorizadas hechas a este aparato.
9. Servicio a un aparato si la placa con el número de modelo y serie falta, está alterada, o no se puede determinar fácilmente que tenga el logotipo de certificación pertinente.

Exención de responsabilidad por garantías implícitas; limitación de recursos

Conforme a la presente garantía limitada, el recurso único y exclusivo para el cliente será la reparación del producto según lo aquí estipulado. Las garantías implícitas, incluidas las garantías de comerciabilidad o aptitud para un propósito en particular, se limitan a un año para el ablandador de agua, diez años para el tanque y el tambor de almacenamiento de sal y tres años para todas las demás piezas, o al período más breve que permita la ley. Sears no se responsabilizará de daños imprevistos o emergentes. En ciertas jurisdicciones no se permite la exclusión o limitación de daños imprevistos o emergentes, o no se permite la limitación de la duración de las garantías implícitas de comerciabilidad o aptitud, de modo que las presentes exclusiones o limitaciones podrían no aplicarse en su caso.

Esta garantía se aplica solamente mientras este aparato se use en los Estados Unidos.

Esta garantía le otorga derechos legales específicos, y es posible que usted también tenga otros derechos, los cuales varían de una jurisdicción a otra.

Sears Brands Management Corporation, Hoffman Estates, IL 60179

¿Tiene preguntas? Llame a la línea directa de Kenmore Water al 1-800-426-9345.

Contenido

Garantía	2
Acuerdos maestros de protección y Servicio de instalación de Sears	3
Aviso de la FCC	4
Pautas de seguridad	4
Especificaciones, reclamos de funcionamiento y dimensiones	5
Lista de empaque	6
Planee la instalación	6-8
Instalación	8-12
Programación del ablandador	13-15
Desinfección del ablandador de agua	16
Agregado de sal al tanque de almacenamiento	16
Conexión a Wi-Fi del ablandador de agua inteligente	17
Lo que hará el ablandador híbrido de agua	18
Características del controlador	18-22
Cuidado del ablandador de agua	23
Información de servicio	23-27
Vista detallada y lista de piezas	28-31

Acuerdos maestros de protección

Felicitaciones por su inteligente adquisición. Su nuevo producto Kenmore® Elite ha sido diseñado y fabricado para brindarle años de funcionamiento confiable. Sin embargo, al igual que todos los productos, puede necesitar mantenimiento preventivo o reparaciones periódicas. Es allí donde el acuerdo maestro de protección puede ahorrarle dinero e inconvenientes.

El acuerdo maestro de protección también ayuda a prolongar la vida útil de su nuevo producto. He aquí lo que incluye el acuerdo:

- Piezas y mano de obra** no solo para reparar defectos, sino para ayudar a mantener los productos funcionando correctamente **bajo uso normal**. Nuestra cobertura va **mucho más allá de la garantía del producto**. No existen deducibles, ni fallas de funcionamiento que estén excluidas de la cobertura. Es protección verdadera.
- Servicio experto** a cargo de una fuerza de más de **10,000 técnicos de servicio autorizados por Sears**, lo cual significa que su producto será reparado por alguien en quien usted puede confiar.
- Visitas de servicio ilimitadas y servicio en todo el país**, con la frecuencia que usted desee, cuando lo desee.
- Garantía "sin disgustos"**: reemplazo de su producto cubierto si este falla cuatro o más veces en el transcurso de un año.
- Reemplazo del producto** cubierto si este no puede ser reparado.
- Revisión anual de mantenimiento preventivo** a solicitud suya, sin costo adicional.
- Ayuda rápida por teléfono** —lo que denominamos **solución rápida**— apoyo por teléfono a cargo de un representante de Sears para todos los productos. Piense en nosotros como si fuéramos un "manual parlante del propietario".
- Protección de sobrevoltaje** contra daños eléctricos debidos a fluctuaciones en el suministro.
- Protección por pérdida de comida**, por un valor anual de **\$250**, por cualquier alimento que haya tenido que desechar debido a falla mecánica de algún refrigerador o congelador cubierto.
- Reembolso por alquiler** si la reparación de su producto cubierto tarda más de lo prometido.
- 25% de descuento** sobre el precio común por el servicio de reparación que no esté cubierto, así como las piezas relacionadas con el mismo que se hayan instalado.

Una vez adquirido el acuerdo, tan solo tiene que llamar para concertar la visita de servicio técnico. Puede llamar a cualquier hora del día o de la noche, o concertar una visita de servicio por Internet.

El acuerdo maestro de protección es una compra sin riesgo. Si por algún motivo usted lo cancela durante el período de garantía del producto, le reembolsaremos el importe total. O bien le proporcionaremos un reembolso prorrateado en cualquier momento posterior al vencimiento del período de la garantía. ¡Adquiera hoy mismo su acuerdo maestro de protección!

Se aplican algunas limitaciones y exclusiones. Para obtener precios e información adicional en los EE. UU., llame al 1-800-827-6655.

Servicio de instalación de Sears

Para solicitar la instalación de electrodomésticos, abridores de puertas de garaje, calentadores de agua y otros artículos principales del hogar por parte de profesionales de Sears, en los EE. UU. llame al 1-800-4-MY-HOME® (1-800-469-4663).

¿Tiene preguntas? Llame a la línea directa de Kenmore Water al 1-800-426-9345.

Aviso de la FCC

AVISO DE LA FCC

NOTA: Este equipo ha sido probado y se encontró que cumple con los límites de un dispositivo digital de Clase B, conforme a la Parte 15 de las Reglas de la FCC. Estos límites están diseñados para ofrecer una protección razonable contra interferencia nociva en una instalación residencial. Este equipo genera, usa y puede radiar energía de radiofrecuencia y, si no se instala y usa de acuerdo con las instrucciones, puede provocar interferencia nociva a las comunicaciones por radio.

Sin embargo, no hay garantía de que no ocurrirá interferencia en una instalación en particular. Si este equipo provoca interferencia nociva a la recepción de radio o televisión, que se puede determinar apagando y encendiendo el equipo, se exhorta al usuario a tratar de corregir la interferencia con una o más de las siguientes medidas:

- ▲ Reorientar o reubicar la antena receptora.
- ▲ Aumentar la separación entre el equipo y el receptor.

- ▲ Conectar el equipo en un tomacorriente de un circuito diferente al que esté conectado el receptor.
- ▲ Consultar con el concesionario o con un técnico experimentado en radio/TV para recibir ayuda.

IMPORTANTE: Los cambios o las modificaciones no aprobados expresamente por la parte responsable del cumplimiento podrían anular la autoridad del usuario para operar el equipo.

AVISO DE INDUSTRY CANADA

Este dispositivo cumple con la norma de Industry Canada RSS-210. La operación está sujeta a las siguientes dos condiciones: (1) este dispositivo no puede provocar interferencia, y (2) este dispositivo debe aceptar cualquier interferencia, incluyendo la interferencia que pudiera ocasionar una operación indeseada del dispositivo.

Pautas de seguridad

- ▲ Antes de instalar y usar el nuevo ablandador de agua, lea atentamente todos los pasos y las pautas. Siga exactamente todos los pasos para lograr la instalación correcta. No seguir dichos pasos podría causar lesiones corporales o daños a la propiedad. Leer este manual también lo ayudará a obtener todos los beneficios del ablandador de agua.
 - ▲ El ablandador híbrido de agua Kenmore® Elite reducirá los minerales de la dureza del agua. Eso se mide en granos por galón (gpg). El artefacto también reducirá algo del hierro en agua transparente*. Eso se mide en partes por millón (ppm). Vea la página de especificaciones para consultar el límite máximo de eliminación de dureza. El artefacto también reducirá el sabor y el olor del agua, y disminuirá el contenido de bario y radio 226/228 en el agua (consulte los detalles en la hoja de datos de rendimiento).
 - ▲ Un ablandador de agua no solucionará otros problemas del agua, tales como la acidez o el contenido de hierro no soluble.
 - ▲ No intente utilizar este producto a fin de potabilizar agua proveniente de fuentes no potables. Si el agua es microbiológicamente impura o si se desconoce su calidad, no use el sistema sin una adecuada desinfección antes o después del sistema.
 - ▲ Consulte los códigos de plomería y sanidad a su departamento local de obras públicas. Al instalar el sistema deberá seguir las pautas que le indiquen. Siga sus códigos locales si difieren con las pautas del presente manual. En el Estado de Massachusetts, se debe cumplir con los códigos de plomería 248-CMR 3.00 y 10.00. Consulte a un plomero con licencia.
 - ▲ Al instalar tuberías de cobre soldado, use sólo soldadura y fundente sin plomo para todas las conexiones de soldadura con estaño, según lo exigen los códigos federales.
 - ▲ Tenga cuidado al manejar el ablandador de agua. No lo voltee ni deje caer.
 - ▲ Evite instalarlo bajo la luz directa del sol. El exceso de calor puede distorsionar o causar algún otro daño a las piezas no metálicas.
 - ▲ El ablandador de agua funciona con presiones de agua de 20 PSI (mínima) a 125 PSI (máxima). Si la presión del agua de su casa supera la máxima, instale una válvula reductora de presión en la línea de suministro de agua al ablandador.
 - ▲ La temperatura del suministro de agua al ablandador debe estar entre 40 °F y 100 °F (4 °C y 38 °C). No lo instale en tuberías de agua caliente.
 - ▲ Si instala el ablandador de agua afuera, no lo coloque donde se exponga a la humedad climática, la luz solar directa o temperaturas extremadamente calientes o frías.
 - ▲ Este ablandador de agua funciona con una corriente continua de 28 voltios, suministrada por una fuente de alimentación eléctrica directa enchufable (que se incluye). Asegúrese de usar la fuente de alimentación eléctrica incluida y de enchufarlo a un tomacorriente doméstico con régimen nominal de 120 voltios, 60 hertzios, que se encuentre en un lugar seco solamente, es conectado a tierra y esté debidamente protegido por un dispositivo para sobrecorriente, como un disyuntor o un fusible.
 - ▲ Este ablandador de agua tiene un sistema de válvulas no metálicas. Su instalación en una tubería metálica cortará la continuidad eléctrica, lo cual puede interrumpir la conexión a tierra de la vivienda. Debe restaurar la continuidad eléctrica en el sistema de la tubería metálica (vea la página 11).
- * La capacidad de reducir el hierro en agua transparente está fundamentada por datos de prueba de Water Quality Association.

¿Tiene preguntas? Llame a la línea directa de Kenmore Water al 1-800-426-9345.

Especificaciones, reclamos de funcionamiento y dimensiones

Este modelo cuenta con una calificación de eficiencia. El índice de eficiencia es válido sólo con la dosis de sal mínima indicada. El ablandador cuenta con la función de regeneración de demanda iniciada (demand initiated regeneration, D.I.R.), que cumple con las especificaciones de funcionamiento para minimizar la cantidad de sal regenerante y agua usada en esta operación.

El ablandador cuenta con una eficacia de la sal evaluada de no menos de 3,350 granos del total de intercambio de dureza por libra de sal (en base al cloruro de sodio), y no brindará más sal que la evaluada ni será operado en un índice de flujo de servicio máximo sostenido superior al evaluado. Se probó que este ablandador brinda agua suave durante por lo menos diez minutos en forma continua en el índice de flujo de servicio evaluado. La eficacia de la sal evaluada es medida por evaluaciones de laboratorio descritas en Estándar 44 de NSF/ANSI. Estas evaluaciones representan el máximo nivel de eficacia posible que el sistema puede alcanzar. La eficacia operativa es la eficacia real luego de que el sistema fue instalado. Es típicamente inferior a la eficacia, debido a los factores de aplicación individual que incluyen la dureza del agua, el uso del agua, y otros contaminantes que reducen la capacidad del ablandador.

El desempeño real puede variar de acuerdo a las condiciones locales del agua. Este sistema se ha sometido a la prueba NSF/ANSI 42 a fin de reducir el sabor y el olor a cloro. Se redujo la concentración de la sustancia indicada en el agua que ingresan en el sistema a una concentración menor o igual al límite permitido para el agua que sale del sistema, como se especifica en la norma NSF/ANSI 42.

ESPECIFICACIONES

ESPECIFICACIONES		Model No. 625.386200
Código del modelo		620
Capacidad de ablandado nominal (granos por dosis de sal)		14,000 a 2.9 lb. 29,800 a 9.3 lb. 35,600 a 15.6 lb.
Eficiencia nominal (granos/libra de sal por dosis mínima de sal)		4,827 a 2.9 lb.
Agua consumida durante la regeneración por dosis mínima de sal		3.7 galones / 1,000 granos
Agua total consumida por regeneración por dosis máxima de sal		58.6 galones (222 L)
Caudal para servicio nominal		8.0 gpm (30.3 lpm)
Cantidad de resina de intercambio de iones		0.98 pies cúbicos
Caída de presión con un caudal para servicio nominal		8.4 PSIG
Dureza máxima del suministro de agua		100 gpg
Hierro en agua transparente máximo en el suministro de agua		3 ppm*
Límites de presión de agua (mínima / máxima)		20 - 125 PSI
Límites de temperatura de agua (mín. / máx.)		40-100°F (4-38 °C)
Velocidad mínima del flujo de suministro de agua		3 gpm (11.4 lpm)
Flujo intermitente a 15 PSI		11.8 gpm**
Caudal de desagüe máximo		2.0 gpm (7.6 lpm)
Capacidad nominal con la concentración de la clorina*** de:	0.50 PPM 0.75 PPM 1.0 PPM 1.5 PPM 2.0 PPM	2,280,000 gal.§ 1,520,000 gal.§ 1,140,000 gal.§ 760,000 gal.§ 570,000 gal.

* La capacidad de reducir el hierro en agua transparente está fundamentada por datos de prueba WQA. El estado de Wisconsin requiere un tratamiento adicional si el suministro de agua contiene hierro de agua transparente que exceda las 5 ppm.

** El flujo intermitente no representa el máximo caudal para servicio nominal, el cual se utiliza para determinar la capacidad nominal y eficiencia del ablandador. El funcionamiento continuo a caudales mayores que el caudal para servicio nominal puede afectar la capacidad y eficiencia del sistema.

*** La concentración residencial típica de la clorina es 0.5 a 1.0 PPM.

§ Basado en datos de pruebas de un laboratorio independiente.

RECLAMOS DE FUNCIONAMIENTO

Contaminante	Nivel de desafío del agua entrante	Nivel máximo de agua permitida
Bario	10 ±10% mg/L	2.0 mg/L
Radio 226/228	25 pCi/L	5 pCi/L
Sustancia	Nivel de desafío del agua entrante	Reducción mínima necesaria
Cloro	2.0 ±10% mg/L	50%

Este sistema cumple la normas NSF/ANSI 42 y 44 con respecto a las afirmaciones de desempeño específicas, las cuales se han verificado y fundamentado mediante datos de pruebas.

Dosis de sal variable: La dosis de sal se seleccionó por los controles electrónicos a un tiempo de regeneración con base en la cantidad necesaria.

DIMENSIONES

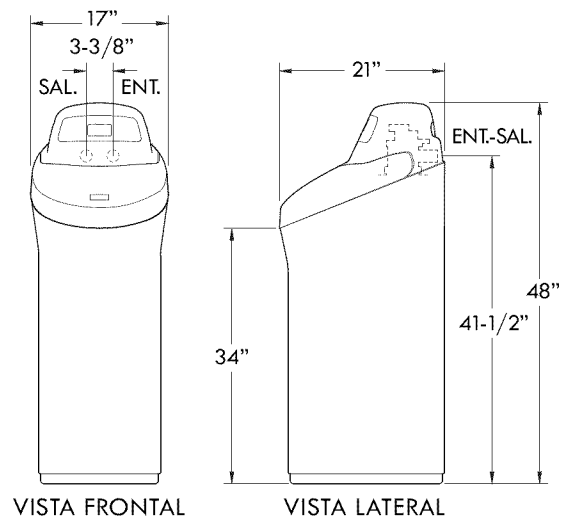


Figura 1

¿Tiene preguntas? Llame a la línea directa de Kenmore Water al 1-800-426-9345.

Lista de empaque

Las piezas necesarias para armar e instalar el ablandador de agua se incluyen con la unidad. Revise minuciosamente el ablandador de agua para detectar cualquier posible daño ocasionado en el envío o piezas faltantes. Asimismo, inspeccione la caja de cartón del envío y tome nota de cualquier daño.

Retire y deseche (o recicle) todos los materiales de empaque. Para evitar la pérdida de piezas pequeñas, le sugerimos conservarlas en la bolsa de piezas hasta que esté listo para usarlas.

Piezas pequeñas

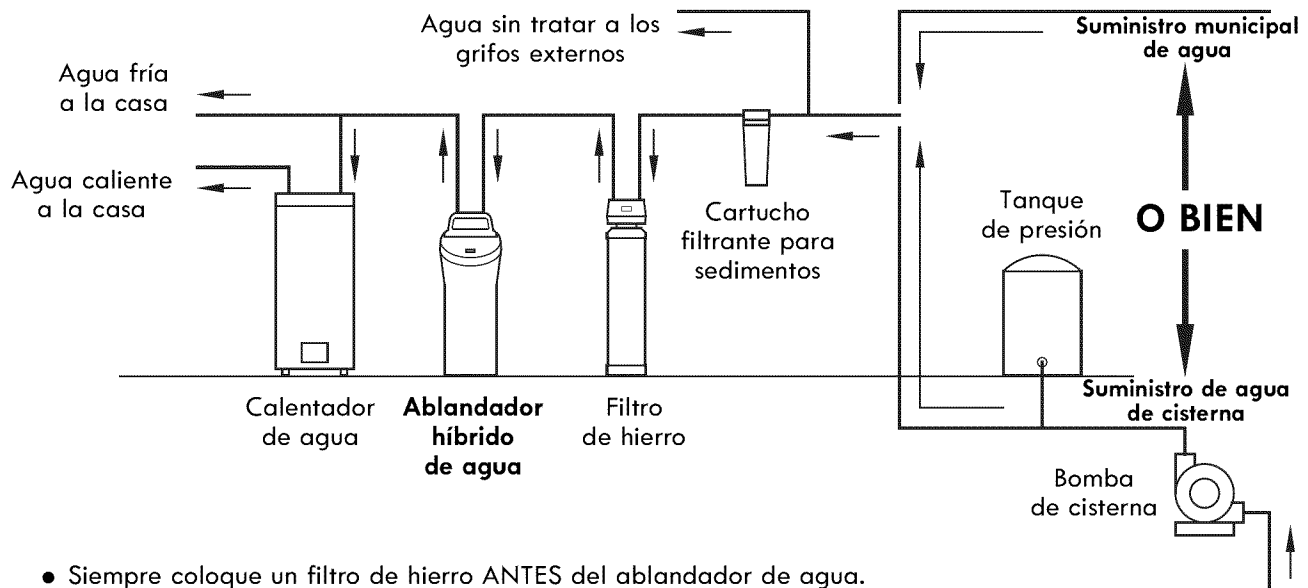


Figura 2

Planee la instalación

ORDEN CORRECTO PARA INSTALAR EL EQUIPO DE TRATAMIENTO DE AGUA

(Sólo ilustra la secuencia del equipo. No todos los artículos se necesitan en todas las aplicaciones.)



- Siempre coloque un filtro de hierro ANTES del ablandador de agua.

Figura 3

¿Tiene preguntas? Llame a la línea directa de Kenmore Water al 1-800-426-9345.

Planee la instalación

INSTALACIÓN TÍPICA

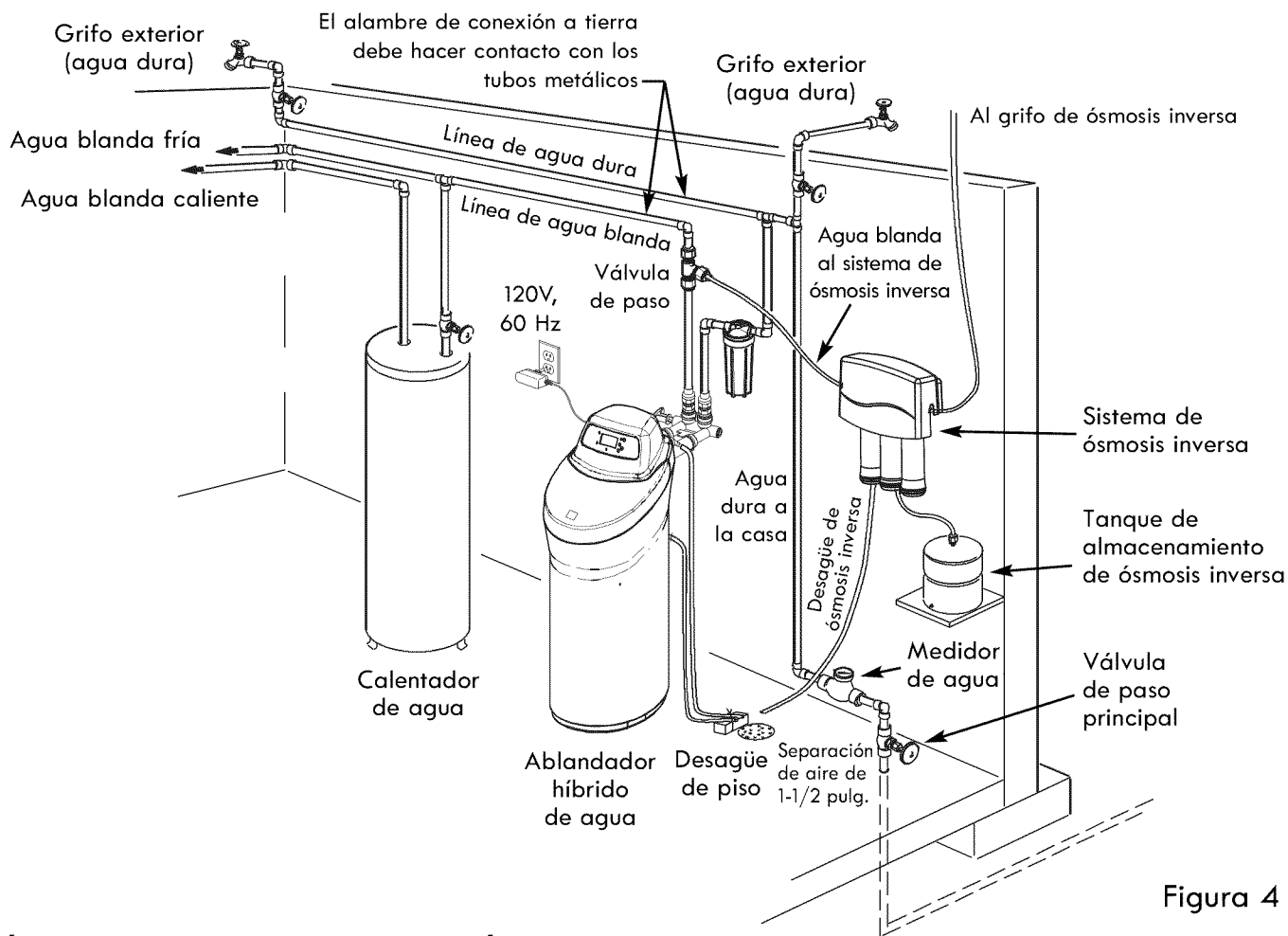


Figura 4

DÓNDE INSTALAR EL ABLANDADOR HÍBRIDO DE AGUA

Antes de seleccionar un lugar para instalar el ablandador, examine los siguientes puntos:

1. Colóquelo tan cerca como sea posible del tanque de presión (agua de cisterna) o del medidor de agua (agua municipal), pero siempre después de este.
2. Colóquelo tan cerca como sea posible de un desagüe tal como uno de piso, una pileta de lavadero, un sumidero o un tubo vertical (vea la Fig. 4).
3. Conecte la tubería principal de agua de la casa ANTES DEL CALENTADOR DE AGUA (vea la Fig. 3). La temperatura del agua que ingresa al ablandador no debe superar los 100 °F (38 °C). El agua caliente dañará las piezas internas del ablandador. Para reducir el riesgo de reflujo de agua caliente, la tubería entre el ablandador y el calentador de agua debe ser tan larga como sea posible.
4. Mantenga los grifos exteriores conectados al suministro de agua dura para economizar agua blanda y sal. Vea la Fig. 4.
5. No instale el ablandador en un lugar donde pueda congelarse. El daño causado por congelamiento anula la garantía de Sears Brands Management Corporation.
6. Instale el ablandador en un lugar donde sea menos probable que el agua cause daños en caso de fuga. Ni Sears ni el fabricante reparará ni pagará el daño causado por el agua.
7. Para enchufar la fuente de alimentación eléctrica, se necesita un tomacorriente con régimen de 120 voltios, 60 hercios y conexión a tierra, cerca del ablandador (vea la Fig. 4). Cerciérese de que el tomacorriente y la fuente de alimentación eléctrica estén ubicados en el interior y protegidos de la humedad climática. Utilice un tomacorriente con alimentación permanente, que no pueda interrumpirse accidentalmente.
8. Al instalar el equipo en una ubicación exterior, deberá tomar las medidas necesarias para garantizar que el ablandador, la plomería de la instalación y el cableado estén protegidos contra los factores climáticos, la luz solar directa, la contaminación, el vandalismo, etc.

¿Tiene preguntas? Llame a la línea directa de Kenmore Water al 1-800-426-9345.

Planee la instalación

REVISE LA PRESIÓN DEL AGUA ANTES DE LA INSTALACIÓN

Para que el ablandador de agua funcione correctamente, la presión del agua entrante en las tuberías de la casa debe ser, como mínimo, de 20 libras por pulgada cuadrada (PSI). La máxima presión permisible es de 125 PSI. Si la presión es mayor de 125 PSI, adquiera e

instale una válvula de reducción de presión en el tubo que suministra agua a la entrada del ablandador.

NOTA: Si durante el día la presión de agua es de 100 PSI o más, durante la noche puede ser superior a 125 PSI.

Instalación

INSTALE UNA VÁLVULA DE UNA DERIVACIÓN Y/O ADAPTADORES ROSCADOS DE INSTALACIÓN

Cumpla los siguientes pasos para armar los adaptadores y/o la válvula de una derivación que se incluye.

1. Para cerrar el agua, cierre la válvula de paso del agua en la tubería principal de agua de la casa, cerca del medidor de agua o el tanque de presión.
2. Corte el suministro de gas o eléctrico del calentador de agua.
3. Abra el grifo más alto y el más bajo de la casa. Eso permitirá desaguar las tuberías. Cierre los grifos después de desaguarlas.
4. Retire la cubierta superior. Tire de las dos aletas hacia afuera para liberar la cubierta superior (vea la Fig. 5). La tapa de la sal permanece acoplada a la cubierta superior cuando esta se retira. Deje a un lado ambas cubiertas para que no se rompan ni se rayen.

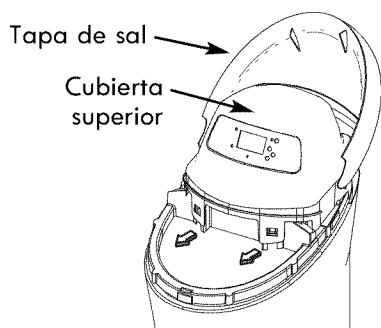


Figura 5

5. Revise visualmente y retire cualquier material extraño de los puertos de entrada y salida de la válvula (vea la Fig. 6). Compruebe que la turbina y el soporte estén colocados firmemente (vea la Fig. 7).

NOTA: Si no instalará la válvula de derivación que se incluye porque habrá una derivación de 3 válvulas en la plomería, pase por alto el paso 6, pero cumpla el paso 7.

VÁLVULA DE UNA DERIVACIÓN:

6. Empuje la válvula de derivación en los puertos de entrada y salida de la válvula del ablandador hasta donde llegue. Fije los dos clips grandes de soporte en su lugar, desde arriba hacia abajo, tal como se muestra (vea la Fig. 8).

PRECAUCIÓN: Asegúrese de que los clips se ajusten firmemente en su lugar para que no se salga la válvula de derivación.

ADAPTADORES ROSCADOS DE ENTRADA Y SALIDA:

7. Empuje los adaptadores en los puertos de entrada y salida de la válvula o los puertos de la válvula de derivación, hasta donde lleguen. Ambos adaptadores son idénticos y encajan en cualquiera de los puertos. Fije los dos clips grandes de soporte en su lugar, tal como se muestra (vea la Fig. 8).

PRECAUCIÓN: Asegúrese de que los clips se ajusten firmemente en su lugar para que no se salgan los adaptadores.

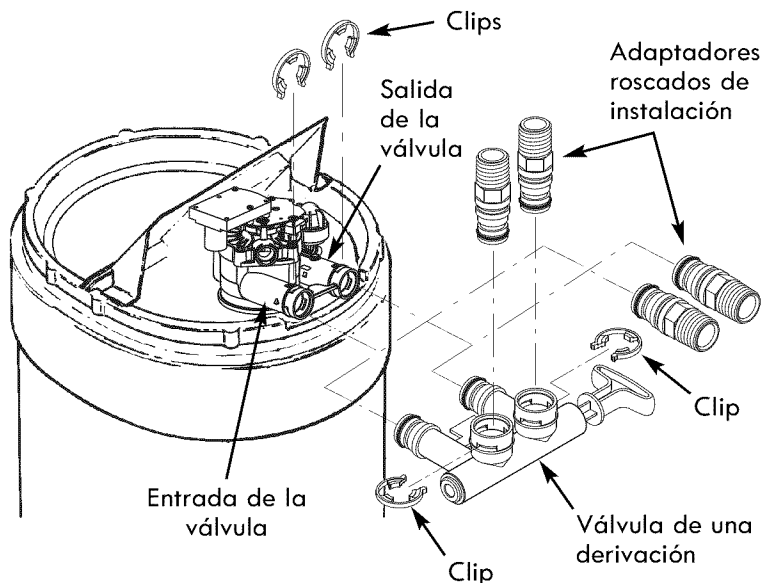


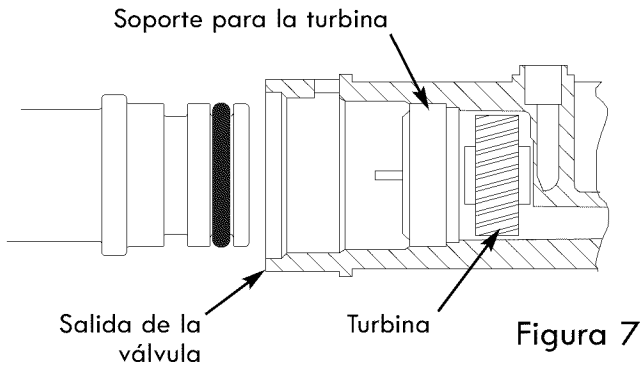
Figura 6

¿Tiene preguntas? Llame a la línea directa de Kenmore Water al 1-800-426-9345.

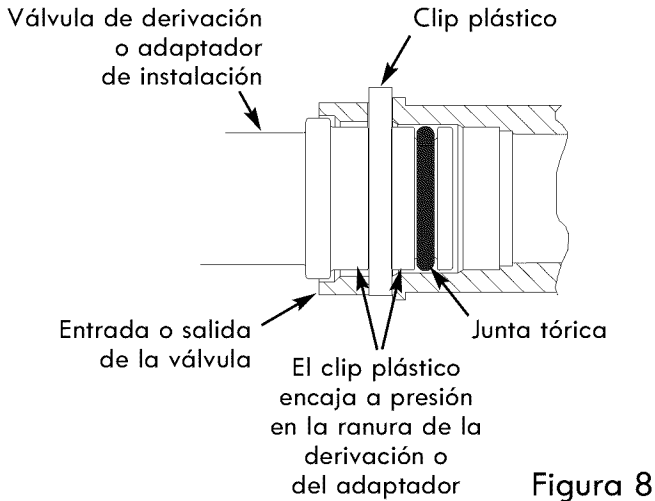
Instalación

INSTALE LA VÁLVULA DE UNA DERIVACIÓN (cont.)

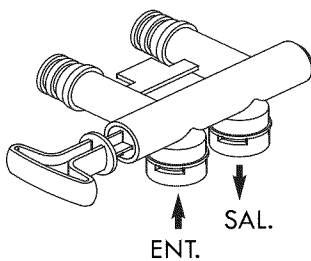
Antes de instalar la válvula de derivación y/o los adaptadores de instalación, compruebe que la turbina y el soporte estén colocados firmemente dentro del puerto de salida de la válvula del ablandador.



INSTALE LOS CLIPS DE SOPORTE



INSTALACIÓN ALTERNATIVA DE LA VÁLVULA DE DERIVACIÓN



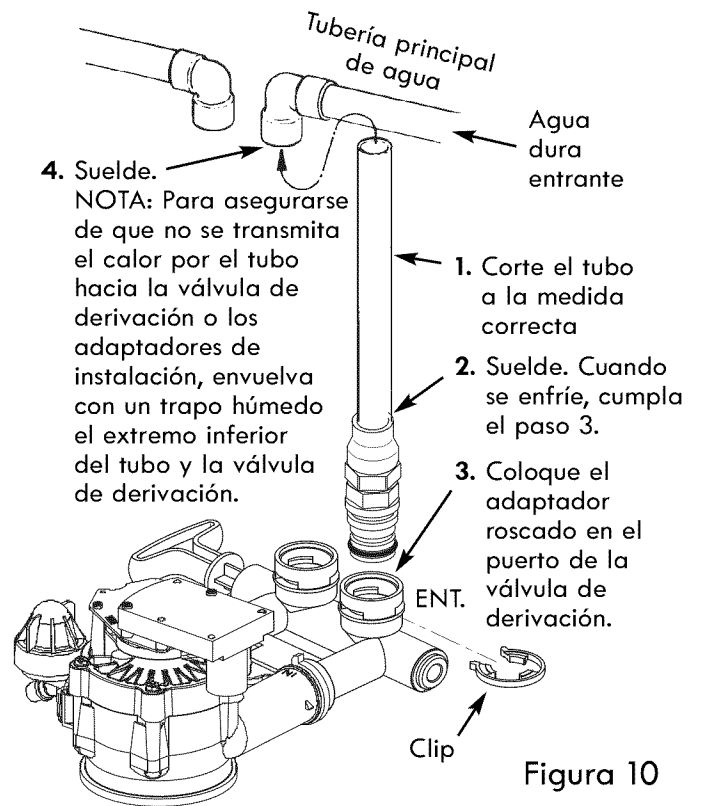
Si la conecta a la plomería a nivel del piso, instale la válvula de derivación hacia abajo, como se ilustra.

ARME LA PLOMERÍA DE ENTRADA Y SALIDA

Mida, corte (rosque si fuera necesario) y arme todos los tubos y las uniones hasta el tubo de agua principal. Asegúrese de que el tubo de suministro de agua entrante vaya al lado de entrada de la válvula.

PRECAUCIÓN: Nunca suelde las uniones mientras estén conectadas a piezas no metálicas. Espere hasta que el tubo soldado se haya enfriado antes de conectarlo. Vea la Fig. 10.

PRECAUCIÓN: Tenga cuidado al conectar entre sí las uniones para tubería. Evite estropear la rosca y apretarla demasiado.



Instalación

CONECTE LA MANGUERA DE DESAGÜE PARA LA VÁLVULA

Tome una sección de tubería de desagüe de 3/8 pulg. de diámetro interior (suministrada) y conecte un extremo a la unión de desagüe (vea la Fig. 11). Manténgalo en su sitio con una abrazadera para tubo provista en la bolsa de piezas. Coloque el otro extremo del tubo sobre un desagüe de piso, una pileta de lavadero, un tubo vertical u otro desagüe adecuado. Consulte los códigos locales.

Deje una separación de aire de aproximadamente 1-1/2 pulg. (3.8 cm) entre el extremo de la manguera y el desagüe. Se necesita esa separación para evitar el reflujo de agua residual al ablandador. No coloque el extremo de la manguera de desagüe dentro del desagüe ni la conecte sin la separación de aire.

Ubique y sostenga la manguera de modo que quede sin dobleces ni vueltas cerradas. Fije el extremo de la manguera para que la presión de agua no la sacuda. Fíjela en su sitio con alambre o amarres. No cierre la manguera oprimiéndola. El ablandador no funcionará si esta manguera de desagüe está oprimida, obstruida, cerrada o torcida de algún modo. Dirija el flujo del desagüe hacia abajo desde la línea del desagüe, ya que podría sobrepasar la tapa del desagüe.

Mantenga la manguera por debajo de la unión del desagüe. En ciertas viviendas, para acceder a un desagüe hay que levantar la manguera y tenderla en una posición elevada. Evite levantar la manguera más de 8 pies (2.4 m) por arriba del nivel del piso.

TUBO DE DESAGÜE DE COBRE: Es posible que los códigos locales de plomería exijan usar un tubo de desagüe con válvula de cobre. Asimismo, si se tiende un desagüe elevado, lo más conveniente es un tubo de cobre.

A fin de adaptar un tubo de desagüe de cobre al ablandador, compre una unión de compresión (1/4 pulg. de rosca hembra x 1/2 pulg. de D.E. de tubo) y la tubería correspondiente en su ferretería local.

CONECTE LA MANGUERA DE SOBREFLUJO DEL TANQUE DE ALMACENAMIENTO DE SAL

1. Ubique la rueda dentada de caucho, el codo adaptador y la abrazadera para tubo (vea la Fig. 11) que están en la bolsa de piezas.
2. Inserte la rueda dentada por el orificio de la pared del tanque de almacenamiento de sal, de modo que quede una mitad adentro y la otra afuera.
3. Empuje el extremo más grande del adaptador dentro de la rueda dentada.
4. Empuje un extremo de una sección de tubo de 3/8 pulg. de D.I. (suministrado) en el adaptador de tubo, manteniéndolo en su sitio con una abrazadera para tubo de la bolsa de piezas.
5. Coloque el otro extremo del tubo sobre el desagüe del piso.

IMPORTANTE: El sobreflujo de agua tiene que correr hacia abajo por la tubería debido a la gravedad. No eleve el tubo más que el adaptador (vea la Fig. 11).

IMPORTANTE: No conecte dicha manguera a la manguera de desagüe de la válvula que instaló recién (vea las instrucciones anteriores). Cada desagüe debe tener su propia manguera.

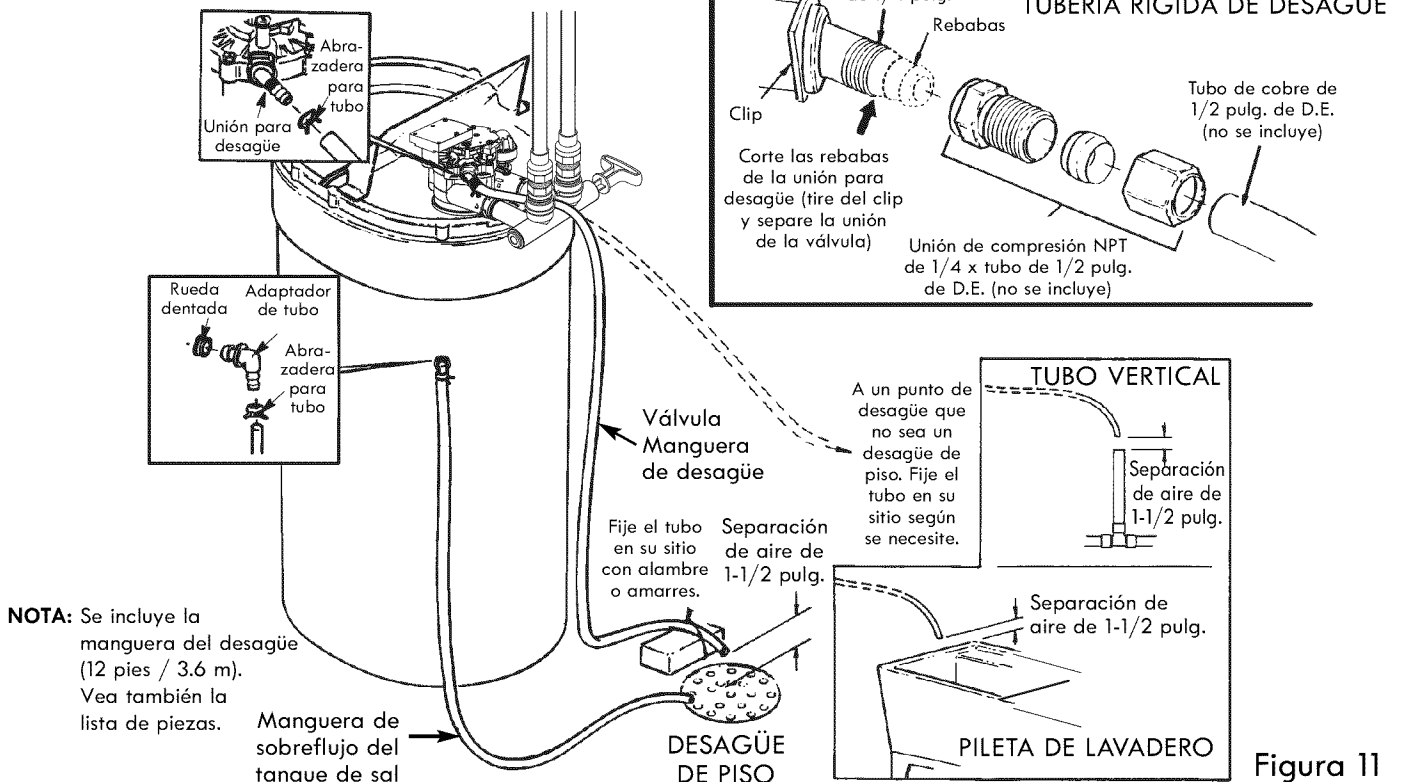


Figura 11

¿Tiene preguntas? Llame a la línea directa de Kenmore Water al 1-800-426-9345.

Instalación

CONEXIÓN A TIERRA POR TUBERÍA METÁLICA

(no se incluyen las piezas)

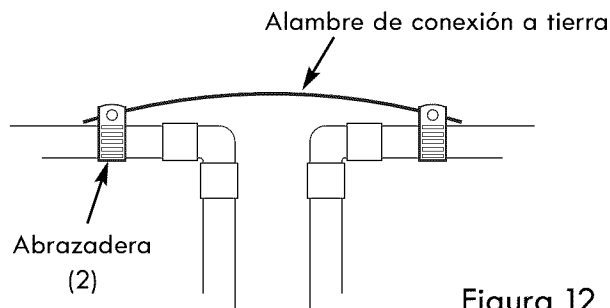


Figura 12

CONEXIÓN A TIERRA POR TUBERÍA METÁLICA DE AGUA

IMPORTANTE: Este ablandador de agua tiene un sistema de válvulas no metálicas. Su instalación en una tubería metálica cortará la continuidad eléctrica, lo cual puede interrumpir la conexión a tierra de la vivienda. Debe restaurar la continuidad eléctrica en el sistema de la tubería metálica.

Si instaló un sistema de derivación de 3 válvulas (Fig. 14), se mantendrá la continuidad eléctrica. Si instaló la válvula de derivación no metálica (Fig. 13), restaure la conexión a tierra de esta manera:

Instale un alambre de cobre calibre 4 (no se incluye la pieza) a través de la sección de la tubería metálica de agua que se retiró, fijándolo firmemente con abrazaderas a ambos extremos (vea la Fig. 12). Compruebe que los tubos estén limpios debajo de las abrazaderas para que haya un buen contacto.

NOTA: Si instala un filtro de sedimentos u otros elementos en el sistema de plomería, juntamente con el ablandador de agua, no olvide restaurar la continuidad eléctrica a través de todas las secciones de tubería metálica que retire.

INSTALE LAS CUBIERTAS

Después de instalar el ablandador de agua, coloque las cubiertas. Coloque las cubiertas en ángulo de modo que la superior se enganche primero en su parte trasera; luego haga bajar la parte delantera, engánchela con las aletas que hay dentro del reborde y baje la tapa de la sal para cerrarla (vea la Fig. 5).

CONECTE LA ELECTRICIDAD

El ablandador funciona con una corriente continua de 28 voltios. La fuente de alimentación eléctrica que se incluye convierte la corriente de 120V CA doméstica a

28V CC. Enchufe la fuente de alimentación eléctrica del ablandador de agua a un tomacorriente de 120 voltios, 60 Hz, con puesta a tierra. Cerciórese de que el tomacorriente tenga alimentación permanente para que no pueda interrumpirse por error.

NOTA: El tomacorriente eléctrico donde enchufe la fuente de alimentación eléctrica tiene que estar en el interior y protegido de los factores climáticos.

PURGUE LAS PARTÍCULAS FINAS DE CARBONO

Durante la fabricación y el envío del producto se generan pequeñas partículas de material filtrante de carbono, las cuales saldrán del tanque de medios filtrantes con el primer flujo de agua. Dichas "partículas finas" de carbono no son dañinas pero le dan un color gris al agua y deben purgarse por el desagüe antes de que se dirija cualquier porción de agua del ablandador a los grifos o el calentador de agua de la casa.

PRECAUCIÓN: A fin de prevenir el daño de las piezas internas del ablandador causado por la presión del agua o del aire, y para eliminar los restos de tubo u otros residuos de las tuberías de agua, no deje de cumplir los siguientes pasos tal cual se indica.

1. Compruebe que esté conectada la manguera de desagüe de la válvula del ablandador y el otro extremo se dirija a un desagüe de piso, una pileta de lavadora u otro tipo adecuado de desagüe.
2. El sistema debe estar conectado a la electricidad.
3. Mueva las válvulas de derivación a la posición de "derivación" (Bypass) (vea las Fig. 13 y 14). En una válvula de una derivación, deslice el vástago hacia adentro a la posición de derivación. En una derivación de 3 válvulas, cierre las válvulas de entrada y salida, y abra la válvula de derivación.
4. Abra totalmente la válvula de paso de agua de la casa.
5. Inicie un ciclo de regeneración; para ello mantenga oprimido por 3 segundos el botón REGENERATION (regeneración) (vea la Fig. 15 en la página 13). Comenzará a funcionar el motor de la válvula y esta avanzará a la posición "Fill" (llenado).
6. Cuando haya oído que el motor de la válvula deja de funcionar (la válvula está en la posición "Fill"), oprima una vez el botón REGENERATION (regeneración). La válvula avanzará a la posición "Brine" (salmuera).
7. Cuando haya oído que el motor de la válvula deja de funcionar (la válvula está en la posición "Brine"), oprima una vez el botón REGENERATION (regeneración). La válvula avanzará a la posición "Backwash" (retrolavado).

Instalación

8. Una vez que la unidad esté en retrolavado, mueva la(s) válvula(s) de derivación a la posición de **SERVICIO**, EXACTAMENTE de esta manera:
 - a. Válvula de una derivación: Deslice lentamente el vástago de la válvula hacia afuera hasta la posición de servicio, con varias pausas para permitir que el ablandador se presurice gradualmente.
 - b. Derivación de 3 válvulas: Cierre totalmente la válvula de derivación y abra la válvula de salida. Abra lentamente la válvula de entrada, con varias pausas para permitir que el ablandador se presurice gradualmente.
9. Deje que el ablandador finalice los ciclos de retrolavado y enjuague rápido (lleva unos 20 minutos). Cuando finalice la regeneración, la válvula del ablandador regresará a la posición "Service" (servicio).

VÁLVULA DE UNA DERIVACIÓN

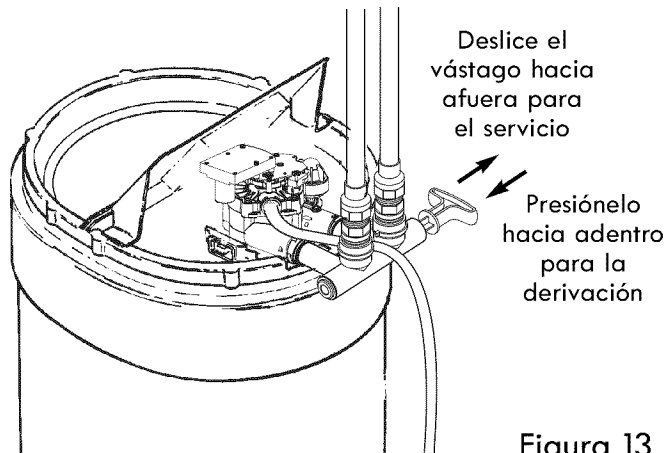


Figura 13

PRUEBA DE FUGAS

Para detectar fugas, cumpla los siguientes pasos:

1. Abra totalmente dos grifos de agua fría cercanos, situados después del ablandador.
2. Observe si hay un flujo constante de agua por ambos grifos abiertos.
3. Después de unos tres minutos, abra un grifo de agua caliente durante aproximadamente un minuto, o hasta que se purgue todo el aire, luego ciérrelo.
4. Cierre ambos grifos de agua fría.
5. Compruebe si hay fugas en su trabajo de plomería y, si encuentra alguna, repárela de inmediato. No olvide tener presente las notas anteriores de precaución.

NOTA: Si se realiza el procedimiento con un ablandador nuevo, es posible que al principio el agua salga descolorida de los grifos. Eso ocurre normalmente la primera vez que circula agua por el lecho de resina. El agua descolorida no es nociva; además, ello no durará más que algunos minutos.

REINICIO DEL CALENTADOR DE AGUA

Active el suministro de gas (o de electricidad) en el calentador de agua y vuelva a encender el piloto.

YA HA FINALIZADO LA INSTALACIÓN DE PLOMERÍA Y EL TRABAJO ELÉCTRICO.

DERIVACIÓN DE 3 VÁLVULAS

PARA EL SERVICIO

Cierre la válvula de derivación. Abra las válvulas de entrada y salida.

PARA LA DERIVACIÓN

Abra la válvula de derivación. Cierre las válvulas de entrada y salida.

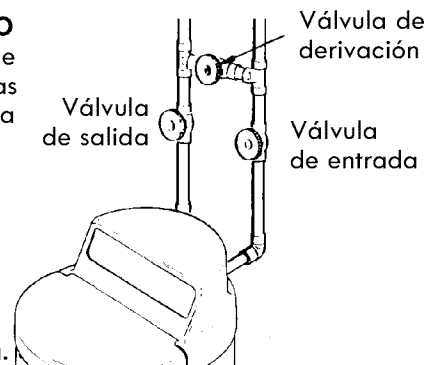


Figura 14

Programación del ablandador

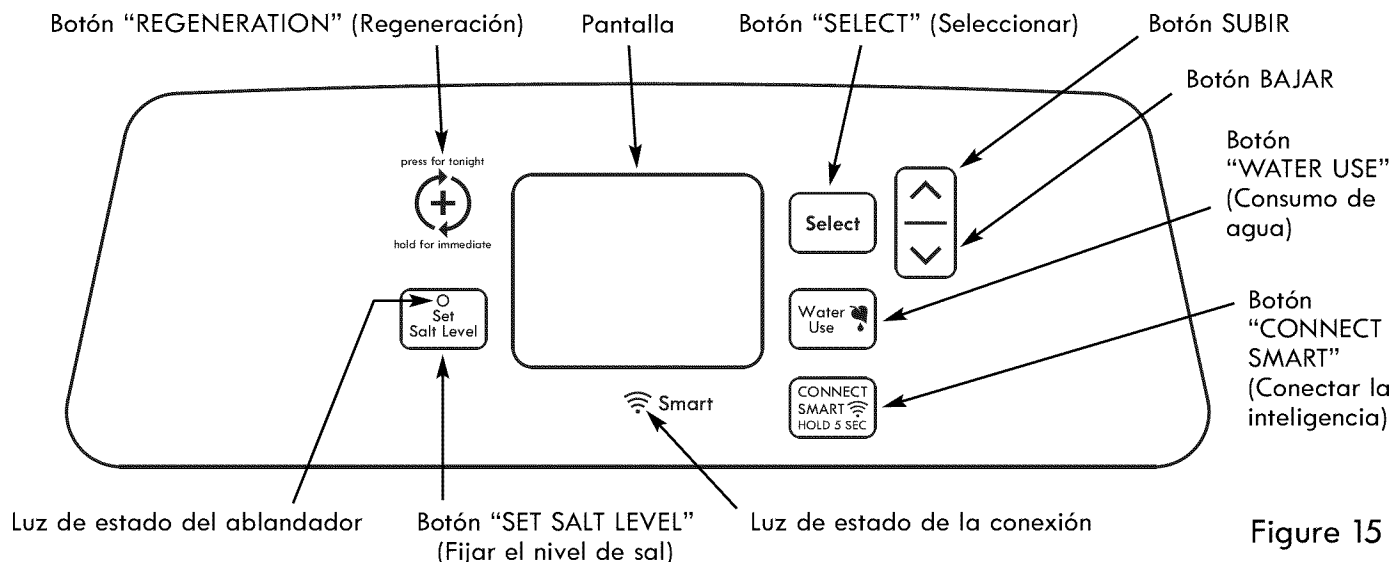


Figure 15

LUZ DE ESTADO DEL ABLANDADOR (Amarilla)

Cuando se conecte el ablandador de agua a la electricidad, la luz amarilla en el panel de control, sobre el botón "SET SALT LEVEL" (Fijar el nivel de sal), funcionará así:

- **La luz destella lentamente, junto con los indicadores de nivel de sal de la pantalla:**
El sistema de monitoreo de sal indica un nivel bajo de sal y necesita programarse. Vea la sección titulada "Sistema de monitoreo de sal" en la página 19.
- **La luz destella rápidamente, y la frase "PRESENT TIME" (Hora actual) y el reloj destellan lentamente en la pantalla:** Hay que programar la hora actual, ya sea durante el arranque inicial o después de una interrupción prolongada de la electricidad. Vea la sección titulada "Fije la hora actual del día", en la página siguiente.
- **La luz destella rápidamente, y aparece el código "Err" (Error) en la pantalla:** La función electrónica de autodiagnóstico ha detectado un problema. Vea la sección titulada "Solución de problemas" en la página 24.
- **La luz está fija (no destella):** El sistema está conectado a la electricidad y no necesita ninguna atención.

LUZ DE ESTADO DE LA CONEXIÓN (Azul)

Cuando se conecte el ablandador de agua a la electricidad, la luz azul de estado de la conexión en el panel de control funcionará así:

- **La luz destella lentamente** - El ablandador está en el "modo de conectar", listo para conectarse a la nube Kenmore®. Esto es normal para una unidad nueva durante los primeros 5 minutos tras encenderse. El ablandador permanecerá en el modo de conectar durante 5 minutos, esperando la conexión. Después de ese tiempo, la unidad saldrá de dicho modo y la luz se apagará. Puede regresarse al modo de conectar (listo para conectarse) mantenga oprimido el botón "CONNECT SMART" (Conectar la inteligencia) durante 5 segundos. Para conectar el sistema a la nube Kenmore®, siga las instrucciones en la página 17 tras completar las instrucciones de programación, desinfección y la agregación de sal en las páginas 14 a 16.
- **La luz está apagada** - El ablandador no está actualmente conectado a la nube Kenmore®, porque aún no se ha enchufado (véase arriba), o debido a una interrupción temporal del servicio de Internet, o porque se ha reemplazado el enrutador inalámbrico local.
- **La luz está fija (no destella):** - El ablandador está conectado actualmente a la nube Kenmore®.

Programación del ablandador

PROGRAMACIÓN DEL ABLANDADOR

Cuando se enchufe la fuente de alimentación eléctrica a un tomacorriente eléctrico, aparecerá brevemente el código de modelo (620) y un número de versión (ejemplo: y2.0) en la pantalla. Luego aparecerán las palabras "PRESENT TIME" (Hora actual) y comenzará a destellar "12:00 PM".

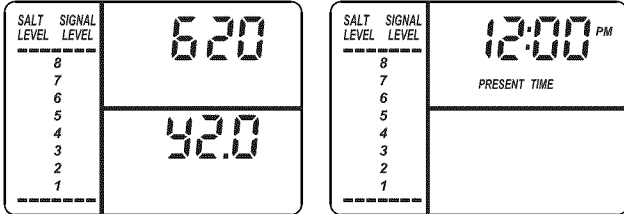


Figura 16

FIJE LA HORA ACTUAL DEL DÍA

Si no se ven las palabras "PRESENT TIME" (Hora actual) en la pantalla, oprima el botón SELECT (Seleccionar) unas cuantas veces hasta que aparezcan.

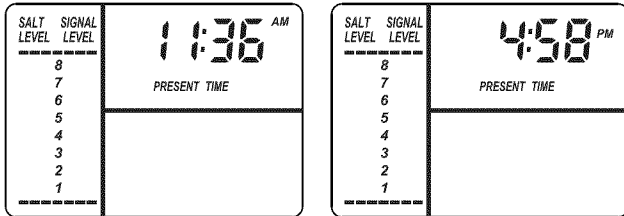


Figura 17

1. Oprima los botones \triangle SUBIR o ∇ BAJAR para fijar la hora actual. "Subir" hace avanzar los números en pantalla; "Bajar" los hace retroceder. Asegúrese de que la función AM o PM esté correcta.

NOTA: Una vez que la unidad se haya conectado a la nube Kenmore®, la hora se actualizará y mantendrá automáticamente mediante Wi-Fi.

2. Cuando aparezca la hora correcta, presione el botón SELECT (Seleccionar) y cambiará la pantalla para indicar la dureza del agua.

FIJE EL NÚMERO DE DUREZA DEL AGUA

Si cumplió el paso anterior, aparecerá la palabra "HARDNESS" (Dureza) en la pantalla. Si así no fuera, presione varias veces el botón SELECT (Seleccionar) hasta que aparezca.

1. Presione los botones \triangle SUBIR o ∇ BAJAR para configurar el número de dureza del suministro de agua, en granos por galón. El valor predeterminado es 25.

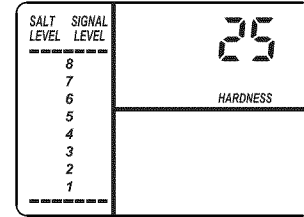


Figura 18

NOTA: Si su suministro de agua contiene hierro, compense aumentando el número de dureza del agua. Por ejemplo, supongamos que su agua tenga una dureza de 20 gpg y que contenga 2 ppm de hierro. Agregue 5 al número de dureza por cada 1 ppm de hierro. En este ejemplo, el número para la dureza del agua sería 30.

$$20 \text{ ppm de hierro} \times 5 = 10 \text{ (veces)} \quad \begin{array}{l} 20 \text{ gpg de dureza} \\ +10 \\ \hline 30 \text{ COMO NÚMERO DE DUREZA} \end{array}$$

Si el suministro de agua contiene hierro, se recomienda que limpie el lecho de resina del ablandador por lo menos una vez cada 6 meses. La tienda Sears local tiene limpiador para ablandador de agua (pieza número 34427) a su disposición.

2. Cuando termine de fijar el número de dureza del agua, presione el botón SELECT (Seleccionar) y cambiará la pantalla para indicar la hora de regeneración.

FIJE LA HORA DE INICIO DE REGENERACIÓN

Si cumplió el paso anterior, aparecerá la frase "RECHARGE TIME" (Hora de regeneración) en la pantalla. Si así no fuera, presione varias veces el botón SELECT (Seleccionar) hasta que aparezca.

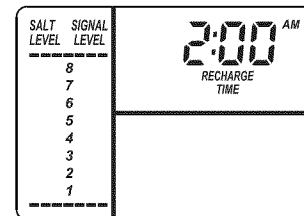


Figura 19

1. La hora predeterminada de inicio de regeneración del ablandador es 2:00 AM. Por lo general, es una hora en que no se usa agua en la mayoría de las viviendas. Si se consume agua durante el ciclo de regeneración, es agua dura que no pasa por el ablandador. Si desea otra hora de inicio de la regeneración, oprima el botón \triangle SUBIR o ∇ BAJAR para cambiar la hora en incrementos de una hora. Asegúrese de que la función AM o PM esté correcta.

continúa en la página siguiente

Programación del ablandador

2. Cuando aparezca la hora de regeneración deseada, presione el botón SELECT (Seleccionar) y cambiará la pantalla para mostrar uno de los tipos de sal que se ilustran a continuación.

FIJAR EL TIPO DE SAL

Si cumplió el paso anterior, aparecerá "NaCl" (cloruro de sodio) o "KCl" (cloruro de potasio) en la pantalla. Si así no fuera, presione varias veces el botón SELECT (Seleccionar) hasta que aparezca una de ellas.

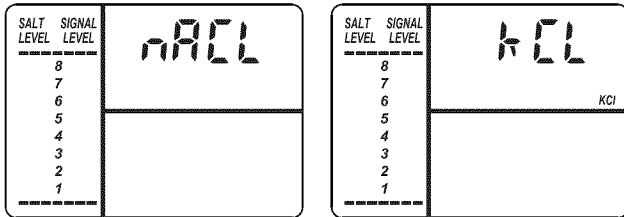


Figura 20

1. Oprima los botones \triangle SUBIR o ∇ BAJAR para fijar el tipo de sal que utilizará en el ablandador de agua. El tipo predeterminado es NaCl. (El cloruro de sodio es la sal estándar para ablandadores de agua.) Si en lugar de eso, utilizará KCl (cloruro de potasio), no olvide fijar el tipo de sal en KCl. Dicho ajuste varía los tiempos de ciclo de regeneración para compensar el tiempo diferente al cual se disuelve el KCl. Vea también la página 16 para consultar más información sobre los tipos de sal.
2. Cuando aparezca el tipo correcto de sal, presione el botón SELECT (Seleccionar) y cambiará la pantalla para indicar el funcionamiento normal (la hora del día).

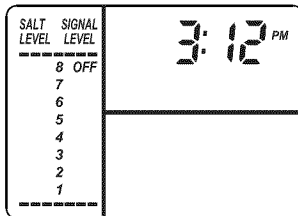


Figura 21

Desinfección del ablandador

DESINFECTE EL ABLANDADOR DE AGUA

1. Abra la tapa de la sal, retire la cubierta del depósito de salmuera y vierta unas 3 oz. (6 cucharadas) de cloro doméstico en dicho depósito del ablandador. Vuelva a colocar la tapa del tanque de salmuera.
2. Asegúrese de que las válvulas de derivación se encuentren en posición de "servicio" (abiertas).
3. **Inicie una regeneración:** Mantenga oprimido el botón REGENERATION (Regeneración) durante tres segundos, hasta que comiencen a destellar en la pantalla las palabras "RECHARGE" (Regenerar), "Serv" (Servicio) y "Fill" (Llenar). El proceso de regeneración extrae el cloro desinfectante de modo que penetre al interior y luego pase a través del ablandador de agua. El aire que pueda quedar en la unidad se purga al desagüe.
4. Después de terminar la regeneración, abra totalmente un grifo de agua fría, situado después

del ablandador, y deje correr 50 galones (189 L) de agua por el sistema. Eso tardará 20 minutos como mínimo. Cierre el grifo.

El nuevo ablandador Sears ya está ablandando el agua para todas las necesidades de su vivienda. Sin embargo, su **CALENTADOR DE AGUA está lleno de agua dura**. Para disponer de agua totalmente blanda de inmediato, puede desaguar el calentador de agua para que se recargue con agua blanda. Si no desagua el calentador de agua, pasarán algunos días hasta disponer de agua totalmente blanda.

NOTA: Si se realiza el procedimiento con un ablandador nuevo, es posible que al principio el agua salga descolorida de los grifos. Eso ocurre normalmente la primera vez que circula agua por el lecho de resina. El agua descolorida no es nociva; además, ello no durará más que algunos minutos.

Agregado de sal al tanque de almacenamiento

AGREGADO DE SAL AL TANQUE DE ALMACENAMIENTO

Tiene que conservar sal en el tanque, pero no es necesario que esté totalmente lleno. Especialmente en zonas húmedas, es mejor mantener el tanque de almacenamiento a no más de la mitad y agregar sal con más frecuencia. La sal "se puentea" más a menudo bajo condiciones de humedad.

Use sal en TROZO o en BOLA para ablandador de agua. NO use sal en roca, ya que contiene impurezas y sedimentos que impedirán el funcionamiento del ablandador. Para mantener el ablandador de agua funcionando de manera óptima, hay que limpiar el tanque de sal una vez cada 2 ó 3 años.

SAL DE CLORURO DE POTASIO (KCl)

Si escoge cloruro de potasio (KCl) como regenerador, siga estas sugerencias para obtener años de servicio sin mantenimiento.

1. Deposite una sola bolsa de KCl a la vez en el ablandador (el tanque de almacenamiento de sal debe contener no más de 60 libras [27 kg] de KCl a la vez).
2. Un ablandador que funciona con KCl no debe instalarse en áreas con fluctuaciones de temperatura y alta humedad (el KCl se endurecerá en dichos ambientes y eso podría impedir el funcionamiento del ablandador).
3. Revise mensualmente el tanque de salmuera y el depósito de salmuera (un tubo negro dentro del tanque de almacenamiento de sal). Si observa algún endurecimiento, vierta pequeñas cantidades de agua tibia en las áreas endurecidas hasta que se ablanden.

4. No olvide fijar en "KCl" el tipo de sal en el controlador. Dicho ajuste varía los tipos del ciclo de regeneración para compensar el tiempo diferente al cual se disuelve el KCl. Vea la sección "Fijar el tipo de sal" en la página 15.

Las personas con dietas de sodio restringido deben considerar el sodio agregado como parte de su ingesta de sodio en general. Por ejemplo, si su suministro de agua es de 15 granos de dureza y usted bebió 3 cuartos de galón de agua ablandada, consumiría 335 miligramos de sodio. Esto es equivalente a comer 2 1/2 rebanadas de pan blanco.

Las personas que tengan inquietudes sobre el agua que beben deben considerar un sistema Kenmore de agua potable por ósmosis inversa, el cual eliminará más del 90% del sodio y demás contaminantes del agua potable.

SAL PARA ABLANDAR AGUA CON ADITIVOS PARA ELIMINAR EL HIERRO

Ciertas sales incluyen un aditivo para contribuir al manejo del hierro en el suministro de agua por parte del ablandador. Si su suministro de agua tiene alto contenido de hierro, pueden utilizarse dichos tipos de sal. Se recomienda usar el limpiador para ablandador de agua Sears (consulte el número de pieza en la lista de piezas de la parte posterior del manual) a fin de hacer tratamientos periódicos para mantener limpio el lecho de resina. La tienda Sears local tiene dicho producto a su disposición.

¿Tiene preguntas? Llame a la línea directa de Kenmore Water al 1-800-426-9345.

Conexión a Wi-Fi del ablandador de agua inteligente

La nube Kenmore® es una manera fácil e innovadora de vincular su estilo de vida conectado a la red domiciliar a fin de vigilar, controlar y brindar tranquilidad. Usando las instrucciones siguientes, será guiado por el sencillo proceso para llevar su ablandador de agua inteligente al entorno de Kenmore®.

Ahora, ¡conectémonos!



PREPARACIÓN

1. Finalice la configuración del ablandador de agua completando las secciones de instalación, programación del ablandador, desinfección del sistema y la agregación de sal al tanque de almacenamiento (en las páginas 14 a 16).
2. Cerciórese de contar con una buena conexión a Internet y un enrutador Wi-Fi domiciliario apropiado. Esto es esencial para una conexión exitosa.
3. Utilizando su teléfono inteligente, descargue e instale la aplicación Kenmore® Smart.

PROCEDIMIENTO DE CONEXIÓN DE WI-FI

1. Cuando enchufe por primera vez el ablandador híbrido de agua Kenmore® inteligente, la luz azul de estado de la conexión destellará durante 5 minutos, indicando que el ablandador está listo para conectarse.

Si la luz deja de destellar antes de que usted esté listo para realizar la conexión, mantenga pulsado el botón "CONNECT SMART" (Conectar la inteligencia) durante 5 segundos. La luz azul comenzará a destellar durante 5 minutos, permitiendo que se realice el proceso de conexión.

2. Parado delante del ablandador de agua, abra la aplicación Kenmore® Smart.
3. Siga las instrucciones para crear una cuenta nueva con su dirección de correo electrónico preferida, o use la dirección de correo electrónico de su cuenta ShopYourWay™ de Sears (Figura 22).
4. Proporcione una contraseña fácil de recordar, o use su contraseña ShopYourWay™ de Sears.
5. Si este es el primer producto Kenmore® inteligente que añade a su cuenta, la aplicación lo guiará paso a paso a través de la adición de su nuevo producto y por el proceso de conexión (Figura 23).

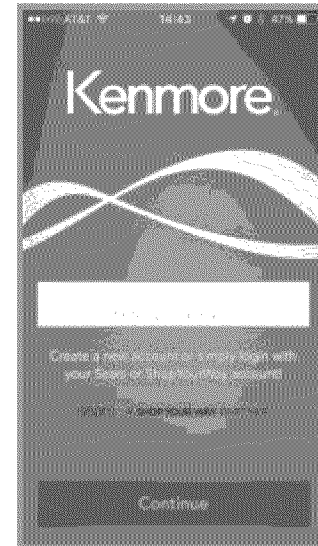


Figura 22

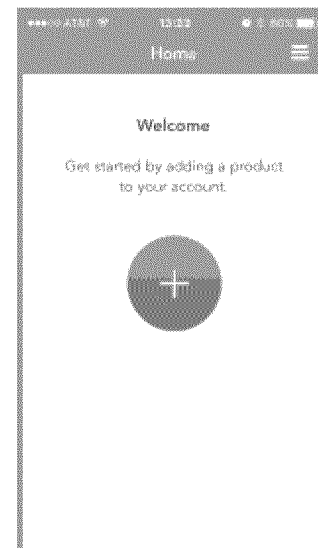


Figura 23

Si necesita ayuda para conectar su ablandador de agua inteligente visite el sitio www.Kenmore.com/smart

Si necesita ayuda con las funciones de su ablandador de agua, llame al 1-844-553-6667

Apple, el logotipo de Apple y iPhone son marcas comerciales de Apple, Inc., registradas en los EE. UU. y otros países. App Store es una marca de servicio de Apple, Inc. Google Play y Android son marcas comerciales de Google, Inc.

¿Tiene preguntas? Llame a la línea directa de Kenmore Water al 1-800-426-9345.

Lo que hará el ablandador híbrido de agua

El ablandador híbrido de agua Kenmore® Elite se ha diseñado para incluir dos tipos diferentes de medios filtrantes, un medio filtrante de alta calidad que reduce los sabores y olores del agua, y un medio filtrante de alta eficiencia que elimina los minerales de la dureza.

Este ablandador híbrido de agua le proporcionará a usted y su casa todos los beneficios del agua blanda, y también reducirá no sólo el sabor y el olor del cloro del agua en toda la casa sino también el contenido de bario y radio 226/228. Puede tener agua filtrada en el

grifo de la cocina para preparar alimentos y beber, en el baño y la regadera para reducir el efecto estético del cloro en la piel y el cabello, y también en el lavabo de cada baño para cepillarse los dientes. No se necesita cambiar ningún filtro.

En base a la capacidad nominal comprobada por NSF conforme a la norma 42* de NSF/ANSI, el ablandador híbrido de agua Kenmore® Elite tiene una vida útil estimada superior a 10 años con respecto a la reducción del sabor y el olor del cloro.

*La capacidad nominal según NSF es de 570,000 galones.

Características del controlador

REGENERACIÓN ADICIONAL

A veces, una regeneración iniciada manualmente sería deseable o necesaria. Estos son dos ejemplos:

- Ha consumido más agua de lo habitual (tiene huéspedes) y es posible que se agote el agua blanda antes de la próxima regeneración automática.
- No agregó sal al ablandador antes de agotarse. Agrega sal al ablandador antes de la regeneración.

Puede iniciar inmediatamente una regeneración, o bien puede configurar el controlador para regenerar a la próxima hora predeterminada (2:00 AM, o como se haya configurado).

REGENERAR AHORA

Mantenga oprimido el botón REGENERATION (Regeneración) durante tres segundos, hasta que comiencen a destellar en la pantalla las palabras "RECHARGE" (Regenerar), "Serv" (Servicio) y "Fill" (Llenar). El ablandador iniciará inmediatamente el ciclo de llenado de regeneración. Dicho ciclo de regeneración tardará unas 2 horas en cumplirse. Luego, volverá a tener agua blanda.

NOTA: Si está activada la función "Clean" (Limpiar), el ciclo normal de regeneración será precedido por un retrolavado y un enjuague. Destellarán en la pantalla las palabras "CLEAN" (Limpiar) y "Bkwsh" (Retrolavado) o "Rinse" (Enjuague), juntamente con los minutos que restan del ciclo de limpieza.

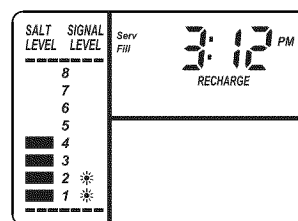


Figura 24

REGENERAR ESTA NOCHE

Oprima y suelte (no mantenga oprimido) el botón REGENERATION (Regeneración). Comenzará a destellar en la pantalla la frase "RECHARGE TONIGHT", y el ablandador comenzará la regeneración a la siguiente hora predeterminada de generación (2:00 AM, o como se haya configurado). Si decide cancelar la regeneración antes de que comience, oprima y suelte una vez más el botón REGENERATION (Regeneración). La frase "RECHARGE TONIGHT" (Regenerar esta noche) dejará de destellar en la pantalla.

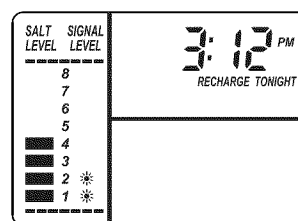


Figura 25

¿Tiene preguntas? Llame a la línea directa de Kenmore Water al 1-800-426-9345.

Características del controlador

SISTEMA DE MONITOREO DE SAL

El ablandador de agua tiene una luz indicadora de monitoreo de sal para recordarle que debe agregar sal al tanque de almacenamiento.

NOTA: El nivel de sal debe fijarse cada vez que se agregue sal al ablandador de agua.

NOTA: El sistema de monitoreo de sal calcula los niveles de sal; su exactitud variará con cada tipo de sal.

Para configurar este sistema de monitoreo:

1. Levante la tapa de la sal y nivele la sal en el tanque de almacenamiento.
2. La escala de nivel de sal, en el depósito de salmuera dentro del tanque, tiene los números 0 a 8 (vea la Fig. 26). Fíjese en el número más alto en el que esté nivelada la sal, o al que esté más próxima.

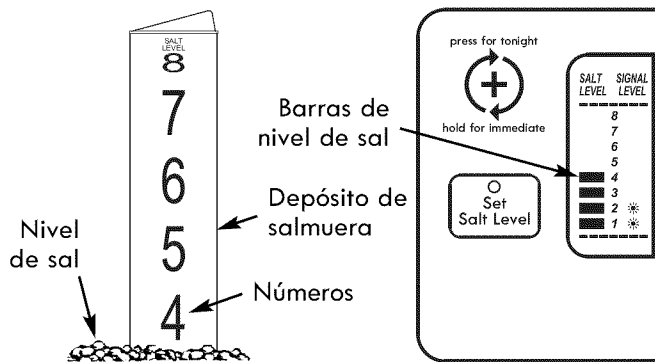


Figura 26

3. Presione el botón SET SALT LEVEL (Fijar el nivel de sal) tantas veces como sea necesario para que las barras de nivel de sal (vea la Fig. 26) coincidan con el número de la depósito de salmuera. En el nivel 2 o inferior, destellará el indicador "Low Salt" (Bajo nivel de sal).
4. Si desea apagar el monitor de sal, oprima el botón SET SALT LEVEL (Fijar el nivel de sal) hasta que aparezca la palabra "OFF" (Apagado) junto al número 8 en la pantalla.

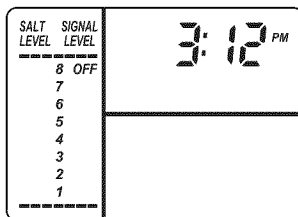
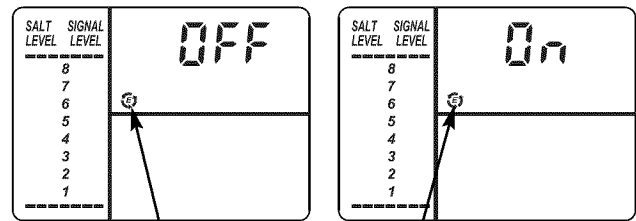


Figura 27

AJUSTES OPCIONALES:

- EFICIENCIA DE SAL
- FUNCIÓN DE LIMPIEZA
- MINUTOS DE LA FUNCIÓN DE LIMPIEZA
- FUNCIÓN DEL 97%
- RELOJ DE 12 Ó 24 HORAS
- GALONES / LITROS
- CANTIDAD MÁXIMA DE DÍAS ENTRE REGENERACIONES
- TIEMPOS DE RETROLAVADO Y ENJUAGUE RÁPIDO

1. Para activar cualquiera de estas opciones, mantenga oprimido el botón SELECT (Seleccionar) durante 3 segundos hasta que aparezca "000" en la pantalla. Luego presione otra vez (sin mantener oprimido) el botón SELECT (Seleccionar) para que aparezca una de las pantallas de eficiencia de sal que se ilustran a continuación.



Símbolo de eficiencia

Figura 28

EFICIENCIA DE SAL: Cuando se activa esta función, el ablandador de agua funcionará con eficiencias de sal de al menos 4000 granos de dureza por libra de sal. El ablandador puede regenerarse con más frecuencia usando una dosis más pequeña de sal y menos agua. Este ablandador se despacha con la función de eficiencia desactivada (OFF). **En el Estado de California se exige que las instalaciones tengan activada (ON) dicha función.** Use los botones Δ SUBIR o ∇ BAJAR para cambiar entre desactivado y activado.

Requisito de eficiencia en California

El ablandador de agua Kenmore Water tiene una característica de "Alta eficiencia" que puede activarse o desactivarse. El ablandador se envía con la función de eficiencia desactivada, por lo cual utilizará la capacidad nominal máxima, mientras que la mayoría de las veces logrará las más altas eficiencias de sal. Al instalar esta unidad en el estado de California, usted DEBERÁ activar la función de eficiencia. Es posible que el ablandador inicie las regeneraciones más a menudo, pero funcionará a 4000 granos por libra de sal o más.

Características del controlador

2. Presione nuevamente el botón SELECT (Seleccionar) para que aparezca una de las pantallas de limpieza que se ilustran a continuación.

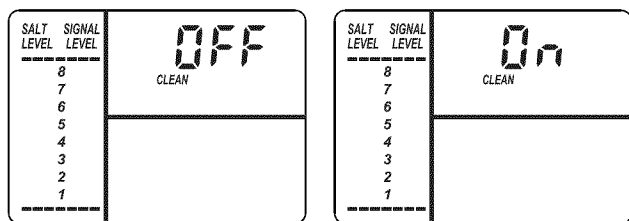


Figura 29

LIMPIEZA: Esta función tiene beneficios para los suministros de agua que contienen hierro y/o grandes cantidades de sedimentos (arena, limo, tierra, etc.). Cuando se cambie a activado (On), primero se realizará un retrolavado y un ciclo de enjuague rápido, antes de la secuencia de regeneración normal. Esto brinda una limpieza adicional del lecho de resina antes de que se regenere con la salmuera. Para conservar agua, recuerde desactivar esta función (Off) si su suministro de agua no contiene hierro o sedimentos. El ajuste predeterminado es desactivado (Off). Use los botones \triangle SUBIR o ∇ BAJAR para cambiar entre desactivado y activado.

3. Presione nuevamente el botón SELECT (Seleccionar) para que aparezca la pantalla de tiempo de limpieza que se ilustra a continuación.

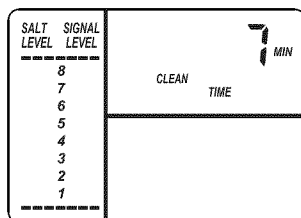


Figura 30

MINUTOS DE LA FUNCIÓN DE LIMPIEZA: Si ha activado la función de limpieza (On), la duración del ciclo adicional de retrolavado se fijará automáticamente en 7 minutos. Sin embargo, puede ajustar la duración de 1 a 15 minutos. Para cambiar la duración de este ciclo, use el botón \triangle SUBIR a fin de aumentar el tiempo o ∇ BAJAR para acortarlo. Si no desea hacer un cambio, continúe con el paso siguiente.

4. Presione nuevamente el botón SELECT (Seleccionar) para que aparezca la pantalla de la función del 97%.

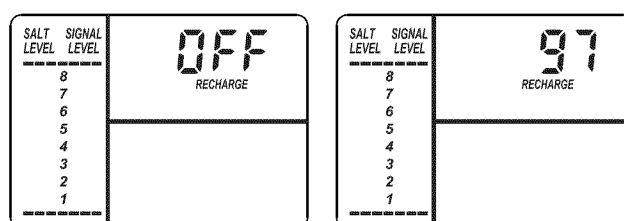


Figura 31

FUNCIÓN DEL 97%: La función del 97% puede ahorrar sal y agua al ejecutar la regeneración cuando se ha agotado el 97% de la capacidad del ablandador. Cuando está activada dicha función, la regeneración puede realizarse en cualquier momento (cada vez que el sistema haya agotado el 97% de su capacidad). El ajuste predeterminado es desactivado (Off). Si desea dicha función, apriete el botón \triangle SUBIR para activarla.

5. Presione nuevamente el botón SELECT (Seleccionar) para que aparezca la pantalla de 12 ó 24 horas.

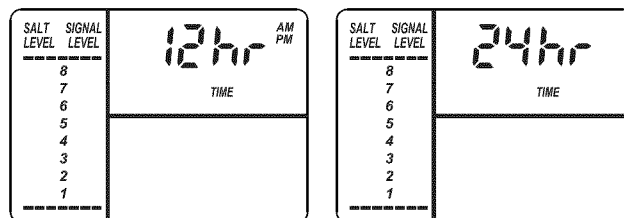


Figura 32

RELOJ DE 12 Ó 24 HORAS: Todas las horas aparecen en formato estándar (1 a 12 AM; y 1 a 12 PM) en el ajuste predeterminado de 12 horas. Si desea el formato de 24 horas, apriete el botón \triangle SUBIR para activarlo.

Características del controlador

6. Presione nuevamente el botón SELECT (Seleccionar) para que aparezca la pantalla de galones o litros.

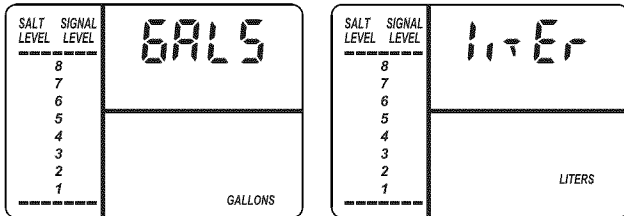


Figura 33

LECTURAS EN GALONES O LITROS: Las lecturas de consumo de agua y caudal aparecen en galones en el ajuste predeterminado. Si prefiere litros, apriete el botón \triangle SUBIR para cambiar dicho ajuste de "Gals" (Galones) a "Liter" (Litros).

7. Presione nuevamente el botón SELECT (Seleccionar) para que aparezca la pantalla de días de regeneración.

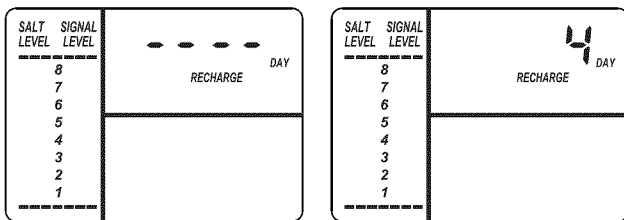


Figura 34

CANTIDAD MÁXIMA DE DÍAS ENTRE REGENERACIONES:

El controlador electrónico determina automáticamente la frecuencia de las regeneraciones. Esto proporciona la mayor eficiencia operativa posible, por lo cual en la mayoría de las condiciones esta función debe dejarse en el modo predeterminado. Sin embargo, usted puede configurarla para forzar una regeneración cada cierto número de días. Le conviene hacerlo si, por ejemplo, su suministro de agua contiene hierro y usted desea que el ablandador se regenere por lo menos una vez cada tantos días para mantener limpio el lecho de resina. Oprima los botones \triangle SUBIR o ∇ BAJAR para cambiar la cantidad de días (hasta 15). Si no desea hacer un cambio, continúe con el paso siguiente.

8. Presione nuevamente el botón SELECT (Seleccionar) para que aparezca la pantalla de programación "Backwash Time" (Tiempo de retrolavado).

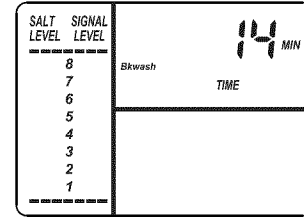


Figure 35

TIEMPOS DE RETROLAVADO Y ENJUAGUE RÁPIDO:

Si después de la regeneración detecta que el agua tiene sabor salado, es posible que necesite aumentar los tiempos de retrolavado y enjuague rápido. El tiempo de retrolavado predeterminado es de 14 minutos, mientras que el tiempo de enjuague rápido predeterminado es de 6 minutos. Sin embargo, puede aumentar o disminuir los tiempos de retrolavado y enjuague rápido, en incrementos de 1 minuto.

Si desea cambiar el tiempo de retrolavado, use los botones \triangle SUBIR o ∇ BAJAR para fijar el tiempo de retrolavado entre 1 y 30 minutos. Presione nuevamente el botón SELECT (Seleccionar) para que aparezca la pantalla de programación "Fast Rinse Time" (Tiempo de enjuague rápido).

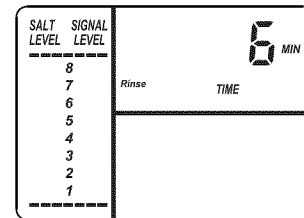


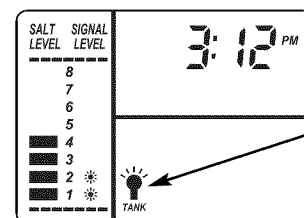
Figure 36

Si desea cambiar el tiempo de enjuague rápido, use los botones \triangle SUBIR o ∇ BAJAR para fijar el tiempo de enjuague rápido entre 1 y 30 minutos.

9. Apriete SELECT (Seleccionar) para regresar a la pantalla de funcionamiento normal (la hora del día).

LUZ DEL TANQUE

Se encenderá una luz dentro del tanque de almacenamiento de sal cada vez que usted abra la tapa de la sal. Aparece en pantalla un símbolo de luz del tanque cuando está encendida dicha luz. La luz se apaga cuando usted cierra la tapa de la sal. También se apagará automáticamente la luz después de 15 minutos si se deja abierta la tapa de la sal.



Símbolo de luz del tanque

Figura 37

Características del controlador

FLUJO DE AGUA A TRAVÉS DEL ABLANDADOR

Para ver el caudal del ablandador en galones (o litros) por minuto, apriete el botón "WATER USE" (Consumo de agua). Si se está consumiendo agua blanda, aparecerá en pantalla el caudal en el décimo de galón (o de litro) más cercano. Cuando estén cerrados todos los grifos y aparatos que consumen agua, la pantalla indicará "0".

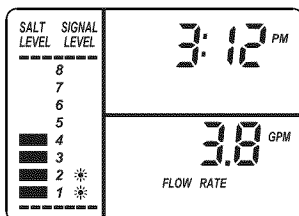


Figura 38

PROMEDIO DIARIO EN GALONES O LITROS

Presione por segunda vez el botón "WATER USE" (Consumo de agua) para indicar en pantalla la cantidad promedio de galones (o litros) de agua blanda que consume la vivienda por día. El controlador electrónico vuelve a calcular diariamente dicho número de consumo de agua. Para desactivar dicha indicación, presione nuevamente el botón "WATER USE" (Consumo de agua).

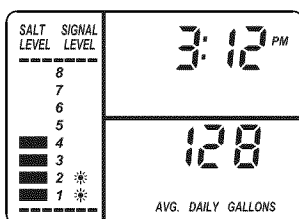


Figura 39

INDICADORES DE TIEMPO DE REGENERACIÓN RESTANTE Y POSICIÓN DE LA VÁLVULA

Aparece en pantalla uno de los indicadores de posición de la válvula (Serv [Servicio], Fill [Llenar], Brine [Salmuera], Bkwh [Retrolavado], Rinse [Enjuague]) mientras el ablandador está regenerando. Destella en la pantalla la palabra RECHARGE (Regeneración) y, a partir del proceso de salmuera, los minutos de regeneración restantes antes de volver al servicio normal aparecen en lugar de la hora actual. Cuando la válvula se mueve de un ciclo a otro, destellan ambos indicadores de posición.

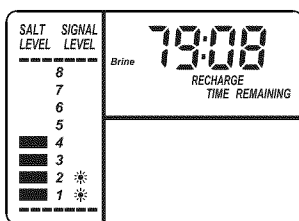


Figura 40

MEMORIA DEL PROGRAMA

Si se interrumpe la electricidad del ablandador, la pantalla de la hora quedará en blanco pero el controlador electrónico conservará la hora correcta durante varias horas. Cuando se restaure la electricidad, tendrá que reprogramar la hora actual del día solamente si la pantalla está destellando. Nunca será necesario reprogramar las funciones HARDNESS (Dureza) y RECHARGE TIME (Hora de regeneración) a menos que se quiera realizar un cambio. Aun cuando la hora del reloj sea incorrecta después de una interrupción prolongada de la electricidad, el ablandador seguirá funcionando como debe para mantener el agua blanda. No obstante, es posible que las regeneraciones se realicen a una hora equivocada hasta que se re programe el reloj con la hora correcta del día.

FUNCIÓN DE LIMPIEZA PROFUNDA DE KENMORE

La función de limpieza profunda impide que penetren partículas de sedimento más grandes en la plomería de la vivienda. A medida que el agua circula por el ablandador, se recogen las partículas de sedimento más grandes en la canasta integrada y luego se descargan por enjuague en el desagüe antes de cada regeneración. La función de limpieza profunda brinda protección adicional a los artefactos que consumen agua al reducir la probabilidad de que las partículas más grandes penetren en válvulas y filtros de diversos productos. Puede activarse la función de limpieza para proporcionar un retrolavado adicional a fin de mantener limpia la pantalla de limpieza profunda. El ajuste predeterminado es desactivado (Off).

IMPORTANTE: El propósito de la limpieza profunda no es reemplazar el filtrado previo al tratamiento. Para las aplicaciones de aguas problemáticas, se recomienda un filtro adicional de sedimentos.

Sears ofrece una línea completa de productos especiales para filtrar sedimentos.

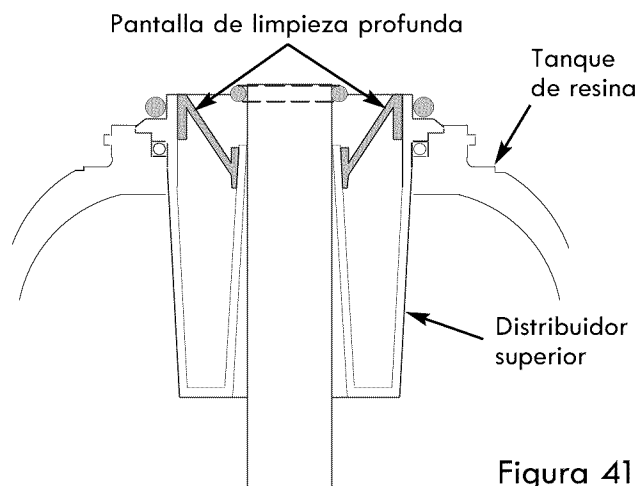


Figura 41

¿Tiene preguntas? Llame a la línea directa de Kenmore Water al 1-800-426-9345.

Cuidado del ablandador de agua

PUENTE DE SAL

Algunas veces se forma una corteza dura o un "puente" de sal en el tanque de salmuera. Por lo general es ocasionado por la alta humedad o por usar un tipo de sal equivocada. Cuando la sal forma un "puente", se crea un espacio vacío entre esta y el agua. Entonces, la sal no se disolverá en el agua para formar la salmuera. Sin la salmuera, el lecho de resina no se regenera y obtendrá agua dura.

Si el tanque de almacenamiento está lleno de sal, es difícil decir si tiene un puente de sal. El puente puede estar justo debajo de la sal suelta. Tome un mango de escoba o herramienta similar y sosténgalo junto al ablandador de agua. Mida la distancia desde el piso al borde del ablandador de agua. Luego empuje cuidadosamente el mango de escoba directo en la sal. Si se siente un objeto duro antes de que la marca esté a nivel con la parte superior, lo más probable es que sea un puente de sal. Empuje suavemente el puente en varios lugares para romperlo. No use objetos agudos ni afilados, pues puede perforar el tanque de salmuera. No trate de romper el puente de sal golpeando el tanque de sal por fuera. Puede dañar el tanque.

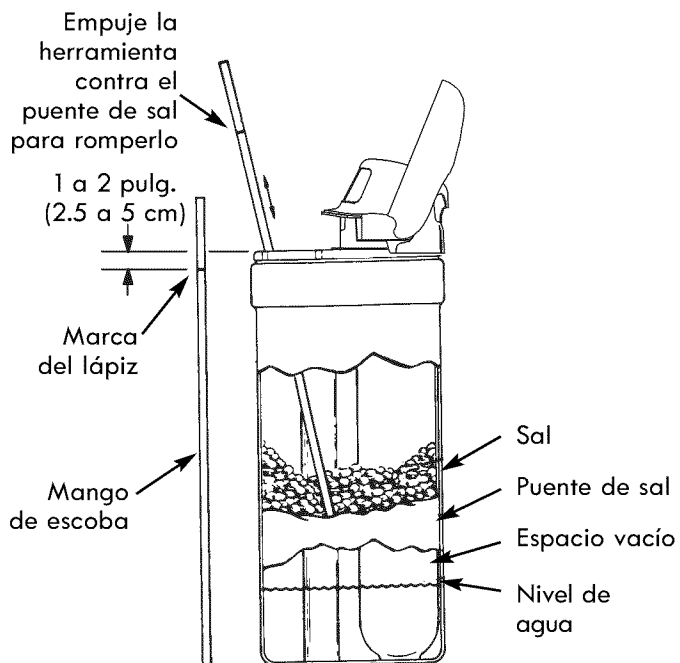


Figura 42

Información de servicio

SIEMPRE HAGA PRIMERO LAS REVISIONES INICIALES

1. ¿Se muestra la hora correcta del día en la pantalla?
 - Si la pantalla está en blanco, revise el suministro eléctrico al ablandador.
 - Si la hora está destellando, hubo una interrupción prolongada de electricidad. El ablandador volverá al funcionamiento normal pero las regeneraciones se realizan a la hora equivocada.
 - Si aparece un código de error en la pantalla (ejemplo: "Err3"), consulte la sección "Detección y solución de problemas".
2. ¿Está(n) la(s) válvula(s) de derivación totalmente en la posición de servicio?
3. ¿Están los tubos de entrada y salida conectados respectivamente a la entrada y la salida del ablandador?
4. ¿Es la fuente de alimentación eléctrica del ablandador enchufado en un tomacorriente de alimentación permanente, conectado a tierra, y está el cable eléctrico conectado firmemente al controlador?
5. ¿No hay dobleces ni vueltas cerradas en la manguera de desagüe de la válvula? ¿Está la manguera elevada a no más de 8 pies (2.4 m) del nivel del piso?
6. ¿Hay sal en el tanque de almacenamiento?
7. ¿Está conectada la tubería de salmuera? La tubería de salmuera se conecta a la boquilla/tubo Venturi y al conjunto de la válvula de salmuera.
8. Presione dos veces el botón SELECT (Seleccionar) para mostrar en pantalla el ajuste de dureza. Compruebe que sea correcto para el suministro de agua de la vivienda. Haga una prueba de dureza con el agua entrante no tratada y compárela con el ajuste de dureza. Pruebe también una muestra de agua blanda para determinar si hay algún problema. Presione varias veces más el botón SELECT (Seleccionar) para regresar a la pantalla de la hora actual.

¿Tiene preguntas? Llame a la línea directa de Kenmore Water al 1-800-426-9345.

Información de servicio

DETECCIÓN Y SOLUCIÓN DE PROBLEMAS

Si el ablandador de agua no funciona correctamente, realice las siguientes comprobaciones fáciles. A menudo, usted mismo detectará el problema y no necesitará llamar ni esperar al servicio técnico. Si, al realizar las comprobaciones, no detecta el problema y el ablandador sigue sin funcionar correctamente, llame a Kenmore al 1-800-426-9345.

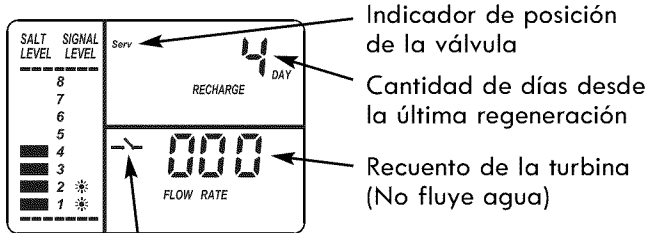
PROBLEMA	CAUSA	CORRECCIÓN
<i>No sale agua blanda</i>	No hay sal en el tanque de almacenamiento.	Agregue sal y luego use la función REGENERAR AHORA.
<i>No hay agua blanda y la pantalla está en blanco</i>	La fuente de alimentación eléctrica está desenchufada del tomacorriente, o el cable eléctrico se desconectó de la parte posterior del tablero electrónico, o es una falla del fuente de alimentación eléctrica.	Revise si se interrumpió la electricidad y corrija el problema. Reprograme el control electrónico y luego use la función REGENERAR AHORA.
	Fusible fundido, interruptor de circuitos activado o el circuito se apagó (vea "Memoria para cortes de electricidad").	Reemplace el fusible, reinicie el interruptor de circuitos o active el circuito y luego use la función REGENERAR AHORA.
<i>No hay agua blanda y el nivel de sal no baja</i>	El tanque de almacenamiento de sal está "puenteado".	Consulte la sección "Cómo romper un puente de sal".
	Las válvulas de derivación están en posición de "derivación".	Mueva las válvulas de derivación a la posición de "servicio".
<i>No hay agua blanda y el tanque de almacenamiento de sal está lleno de agua</i>	Conjunto de boquilla y tubo Venturi sucio, tapado o dañado.	Desarme, limpie e inspeccione la boquilla y el tubo Venturi. (Vea la calcomanía con instrucciones debajo de la tapa de la sal.)
	La manguera de desagüe está tapada o torcida.	La manguera no debe tener dobleces, vueltas cerradas ni bloqueos al flujo del agua. (Vea la sección "Requisitos de desagüe de la válvula".)
<i>Agua dura intermitente</i>	Hora configurada de manera incorrecta.	Revise y cambie el ajuste de la hora.
	Dureza del agua configurada de manera incorrecta.	Consulte la sección "Fije el número dureza del agua" para configurarla correctamente.
	Se usa agua caliente cuando el ablandador se regenera.	Evite usar el agua caliente mientras el ablandador se regenera, pues el calentador de agua se llenará con agua dura.
	Posible incremento en la dureza del agua.	Pruebe la dureza y el hierro del agua sin tratar. Programe el ablandador de agua según corresponda. (Vea la sección "Fije el número de dureza del agua".)
<i>Se inundó el tanque de salmuera</i>	La manguera de desagüe está tapada o torcida.	La manguera no debe tener dobleces, vueltas cerradas ni bloqueos al flujo del agua. (Vea la sección "Requisitos de desagüe de la válvula".)
	Conjunto de boquilla y tubo Venturi sucio, tapado o dañado.	Desarme, limpie e inspeccione la boquilla y el tubo Venturi. (Vea la sección "Limpieza de la boquilla y el tubo Venturi".)
<i>Inmediatamente después de la regeneración, el agua tiene sabor salado</i>	Los tiempos de retrolavado y enjuague rápido no duran lo suficiente.	Aumente los tiempos de retrolavado y enjuague rápido. (Vea la sección "Tiempos de retrolavado y enjuague rápido".)
	La manguera de desagüe está tapada o torcida.	La manguera no debe tener dobleces, vueltas cerradas ni bloqueos al flujo del agua. (Vea la sección "Requisitos de desagüe de la válvula".)
<i>Aparece un código de error (ejemplo: "Err3")</i>	Falla en el mazo de cables o en las conexiones al interruptor de posición; no funciona el interruptor de posición o el motor.	Desenchufe el cable eléctrico. Revise todas las conexiones del cableado para comprobar que estén fijas. Enchufe el cable eléctrico y aguarde 8 minutos. Si reaparece el código de error, llame a la línea directa de Kenmore Water.

¿Tiene preguntas? Llame a la línea directa de Kenmore Water al 1-800-426-9345.

Información de servicio

DIAGNÓSTICO ELECTRÓNICO INICIADO MANUALMENTE

1. Para ingresar en el modo de diagnóstico, mantenga oprimido el botón SELECT (Seleccionar) durante tres segundos. Cambiará la pantalla para mostrar el recuento de la turbina, la posición en el ciclo de la válvula y el estado del interruptor de posiciones (abierto o cerrado).



Indicador del interruptor de posiciones (Abierto)

Figura 43

FUNCIONAMIENTO DE LA TURBINA: Si no fluye agua por el ablandador, el indicador de la turbina mostrará tres ceros. Cuando fluye agua, se repite un recuento de 000 a 140 por cada galón de agua que pasa por la turbina. Para comprobar el funcionamiento positivo de la turbina cuando aparecen ceros en la pantalla, abra un grifo cercano de agua blanda y observe el recuento de la turbina. Si no obtiene una lectura en la pantalla con el grifo abierto, jale la caja del sensor del puerto de salida de la válvula (vea la Fig. 45). Pase un pequeño imán de un lado al otro al frente del sensor. Deberá obtener una lectura en la pantalla. Si obtiene una lectura, desconecte la plomería de entrada y salida y compruebe que la turbina no esté pegada.

ESTADO DEL INTERRUPTOR DE POSICIONES: Con la válvula en servicio, o en cualquiera de las posiciones del ciclo de regeneración, el indicador del interruptor de posiciones mostrará el interruptor abierto. Mientras la válvula rota de una posición a la otra, el indicador del interruptor de posiciones mostrará el interruptor cerrado. Si las indicaciones varían con respecto a este patrón, es probable que haya un problema.

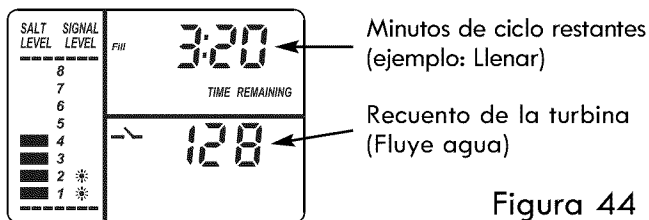


Figura 44

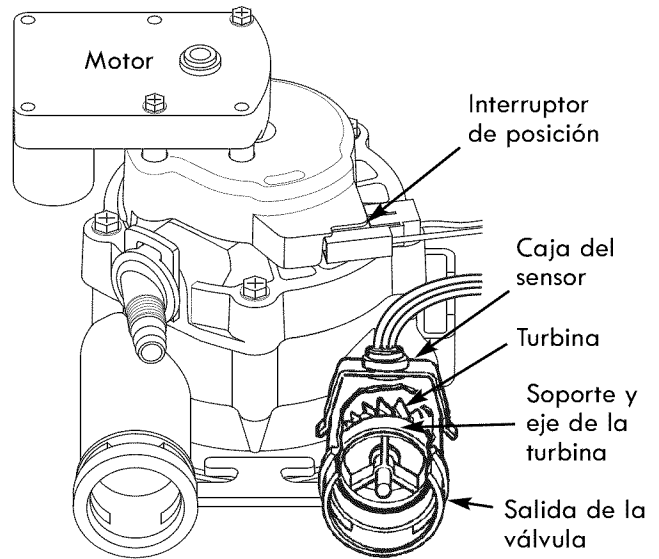


Figura 45

INFORMACIÓN ADICIONAL: Mientras se esté en la pantalla de diagnóstico, se dispondrá de la siguiente información, la cual podría ser de utilidad por varias razones. El controlador electrónico retiene dicha información desde la primera vez que se aplica energía eléctrica a la unidad.

- Mantenga oprimido el botón Δ SUBIR para ver la cantidad de días en que este controlador ha recibido electricidad.
- Mantenga oprimido el botón ∇ BAJAR para ver la cantidad de regeneraciones iniciadas por este controlador desde que se introdujo el número de código de modelo.

NOTA: Si se deja el controlador electrónico en la pantalla de diagnóstico (o queda destellando la pantalla cuando se configura la hora o la dureza), volverá a mostrarse automáticamente la hora normal del día si no se presionó ningún botón por 4 minutos. Para regresar a la pantalla de diagnóstico, repita el paso 1 indicado anteriormente.

Información de servicio

VERIFICACIÓN DE LA REGENERACIÓN CON AVANCE MANUAL

Esta verificación revisa el funcionamiento adecuado del motor de la válvula, llenado del tanque de salmuera, extracción de salmuera, velocidades del flujo de regeneración y otras funciones del controlador. Siempre realice primero las revisiones iniciales, y ejecute el diagnóstico iniciado manualmente.

NOTA: La pantalla debe mostrar una hora fija (sin destellar). Si aparece un código de error, oprima primero el botón SELECT (Seleccionar) para ingresar a la pantalla de diagnóstico.

1. Mantenga oprimido el botón REGENERATION (Regeneración) durante 3 segundos. Comenzarán a destellar en la pantalla las palabras "RECHARGE" (Regenerar), "Serv" (Servicio) y "Fill" (Llenar) a medida que el ablandador introduce el ciclo de llenado de regeneración.
2. Cuando la válvula llegue a la posición "Fill" (Llenar), retire la cubierta del depósito de salmuera y, con una linterna, observe el agua de llenado entrando al tanque.
3. Si el agua no entra al tanque, verifique si se ha obstruido una boquilla, o el tubo Venturi, el tapón de flujo de llenado, la tubería de salmuera o el tubo vertical de la válvula de salmuera.
4. Después de observar el llenado, presione el botón REGENERATION (Regeneración) para mover el ablandador de modo que funcione con la salmuera. Comenzará un flujo lento de agua rumbo al desagüe. Verifique la extracción de salmuera del tanque iluminando con una linterna el depósito de salmuera y observando una caída notoria en el nivel de líquido.
5. Si el ablandador no extrae salmuera:
 - Boquilla sucia y/o tubo Venturi sucio
 - La boquilla y el tubo Venturi no están bien asentados en el empaque
 - Desagüe restringido (revise la unión y la manguera del desagüe)
 - Boquilla y sello del tubo Venturi en mal estado
 - Otro problema interno de la válvula (sello del rotor, rotor y disco, arandela ondulada, etc.)

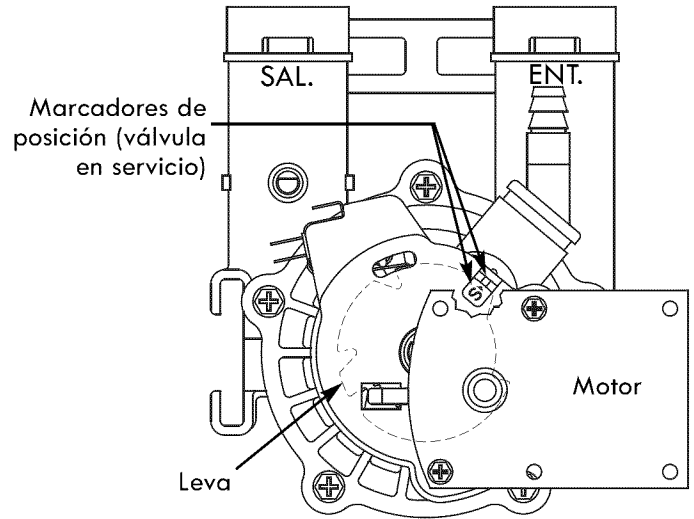


Figura 46

NOTA: Si está baja la presión del sistema de agua, una manguera de desagüe elevada puede ocasionar la contrapresión, deteniendo la extracción de salmuera.

6. Vuelva a presionar el botón REGENERATION (Regeneración) para que el ablandador funcione en retrolavado. Busque un flujo rápido de agua de la manguera de desagüe.
7. Un flujo obstruido indica que está tapado el distribuidor superior, el tapón de flujo de retrolavado o la manguera de desagüe.
8. Presione el botón REGENERATION (Regeneración) para que el ablandador funcione en enjuague rápido. Busque de nuevo un flujo de desagüe rápido. Deje que el ablandador se enjuague por unos minutos para lavar todo resto de salmuera que pueda quedar en el tanque de resina del ciclo de prueba de salmuera.
9. Para que el ablandador entre en servicio de nuevo, presione una vez más el botón REGENERATION (Regeneración).

Información de servicio

CÓMO REGRESAR AL MODO CONECTAR

Una vez que se estableció la conexión a la nube Kenmore® tal como se describe en la página 16, el controlador electrónico del ablandador la mantendrá. Por ejemplo, si pierde temporalmente la conexión debido a una interrupción del servicio de Internet, el sistema se reconectará automáticamente cuando se restablezca el servicio.

Una excepción es si reemplaza el enrutador de la Wi-Fi local. El ablandador no se conectará automáticamente al nuevo enrutador, sino usted debe colocarlo manualmente en el modo conectar y conectarlo de nuevo.

Para regresar el ablandador al modo conectar:

1. Mantenga oprimido el botón "CONNECT SMART" (Conectar la inteligencia) durante cinco segundos.
2. La luz de estado de la conexión de color azul debe comenzar a destellar, indicando que la unidad está en modo conectar, esperando la conexión.
3. Conecte el sistema a la nube Kenmore®, tal como se describe en la página 17.

REAJUSTE A LOS VALORES DE FÁBRICA

Para reajustar el controlador electrónico a todos los valores predeterminados en la fábrica (hora, dureza, etc.):

1. Mantenga oprimido el botón SELECT (Seleccionar) hasta que cambie dos veces la pantalla para mostrar el código destellante del modelo.
2. Presione el botón Δ SUBIR para mostrar un símbolo de "SoS" que destella.

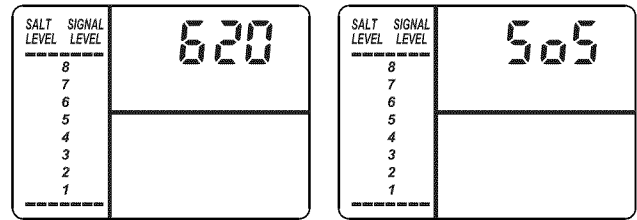


Figura 47

3. Presione el botón SELECT (Seleccionar) y se reiniciará el controlador electrónico.
4. Fije la hora actual, la dureza, etc., como se describe en las páginas 14 y 15.

DIAGRAMA DE CABLEADO

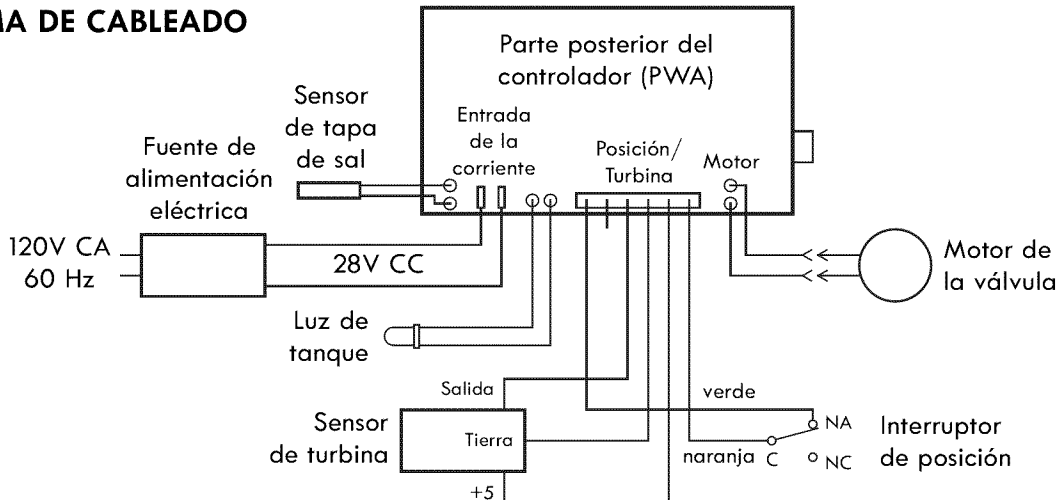


Figura 46

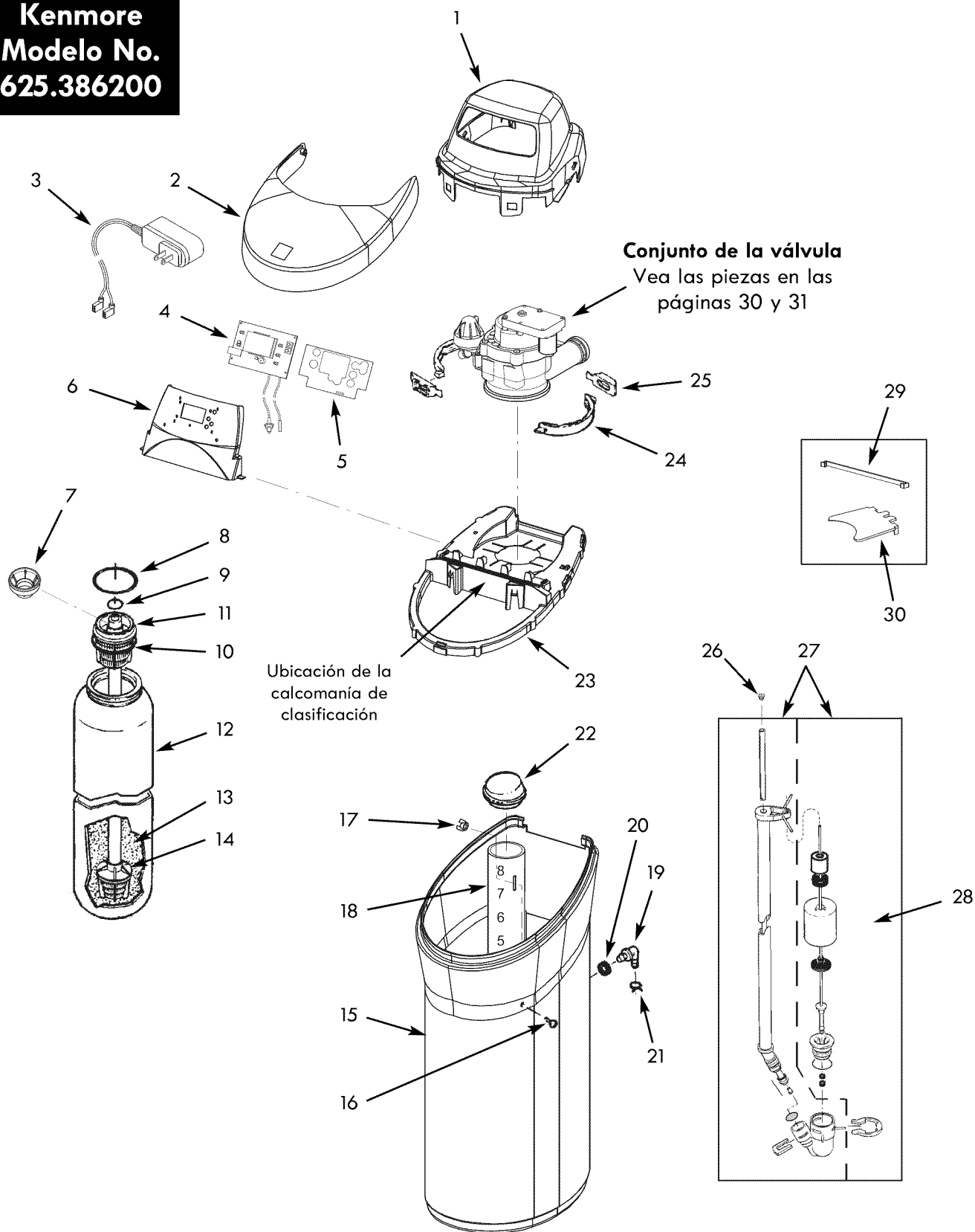


La Directiva Europea 2002/96/EC requiere que todo equipo eléctrico y electrónico se deseché conforme a los requisitos sobre "Residuos de aparatos eléctricos y electrónicos" (RAEE). Dicha directiva u otras leyes similares se han implementado a nivel nacional y pueden variar de una región a otra. Para desechar correctamente este equipo, consulte sus leyes estatales y locales.

¿Tiene preguntas? Llame a la línea directa de Kenmore Water al 1-800-426-9345.

Vista detallada del ablandador de agua

Kenmore
Modelo No.
625.386200



¿Tiene preguntas? Llame a la línea directa de Kenmore Water al 1-800-426-9345.

Lista de piezas del ablandador

Clave No.	Pieza No.	Descripción
1	7329803	Cubierta superior
2	7354256	Tapa de la sal (se incluye la placa de Kenmore y la calcomanía de instrucciones)
3	7337482	Fuente de alimentación eléctrica, 28V corriente continua
4	7354214	Controlador electrónico (PWA) de repuesto
5	7354248	Barrera térmica
6	7354264	Placa frontal (incluye la calcomanía de la placa frontal)
7	7265025	Pantalla de limpieza profunda
-	7112963	Juego de juntas tóricas para el distribuidor (se incluye claves No. 8 a 10)
8	↑	Junta tórica, 2-7/8 x 3-1/4 pulg.
9	↑	Junta tórica, 13/16 x 1-1/16 pulg.
10	↑	Junta tórica, 2-3/4 x 3 pulg.
11	7077870	Distribuidor superior
12	7247996	Tanque de resina de repuesto, 10 x 40 pulg. (25 x 102 cm)
13	0502272	Resina
	7301619	Carbón activado
14	7327584	Distribuidor inferior de repuesto
15	7338365	Tanque de almacenamiento de sal
-	7327576	Juego de montaje para depósito de salmuera (se incluye claves No. 16 y 17)
16	↑	Tornillo, 1/4-20 x 5/8 pulg.
17	↑	Tuerca mariposa, 1/4-20

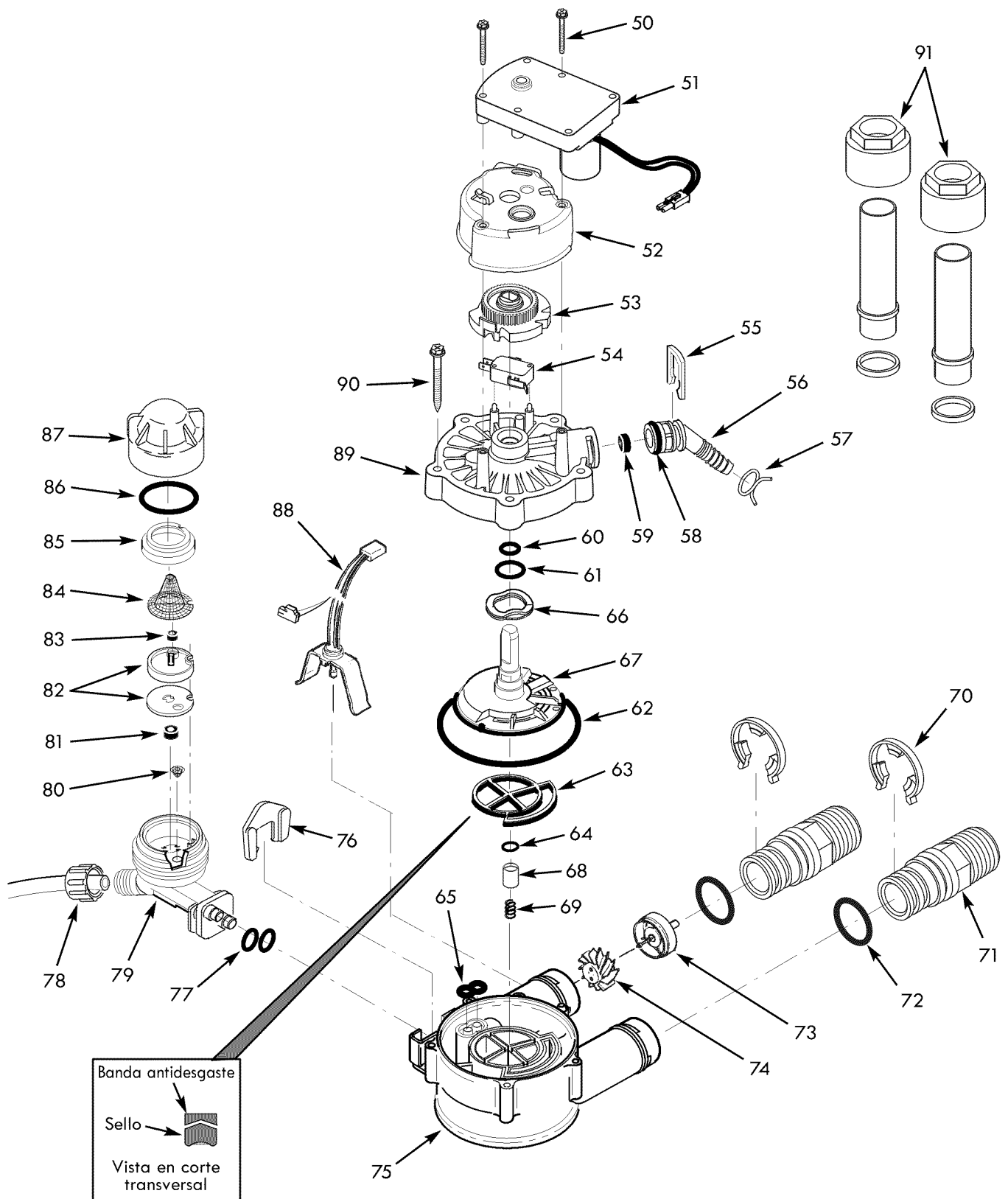
Clave No.	Pieza No.	Descripción
18	7214375	Conjunto del depósito de salmuera (se incluye la calcomanía del nivel de sal)
-	7331258	Juego de adaptador para manguera de sobreflujo (se incluye claves No. 19 a 21)
19	↑	Codo adaptador
20	↑	Rueda dentada
21	↑	Abrazadera para manguera
22	7155115	Cubierta del depósito de salmuera
23	7325396	Reborde
-	7331177	Juego de abrazadera para cuello de tanque (se incl. 2 c/u de las claves No. 24 y 25)
24	↑	Secciones de abrazadera (se necesitan 2)
25	↑	Clip retenedor (se necesitan 2)
26	7171349	Malla de cono
27	7310202	Conjunto de la válvula de salmuera
28	7327568	Conjunto de flotador, vástago y guía
29	-	Cerradura de la tapa (para el envío sólo)
30	-	Pieza de inserción del reborde (para el envío sólo)
■	3442707	Limpiador para ablandador de agua *
■	7278549	Bolsa de piezas, que contiene: 5 clips (vea la clave No. 70), 2 c/u de las claves No. 21 y 71, 1 c/u de las claves No. 19, 20 y 92
■	7354206	Manual del propietario

■ No se ilustra.

* No se incluye en el ablandador de agua.

¿Tiene preguntas? Llame a la línea directa de Kenmore Water al 1-800-426-9345.

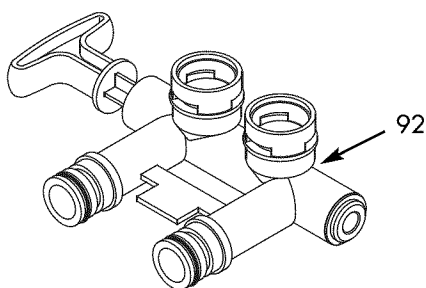
Vista detallada del conjunto de la válvula



¿Tiene preguntas? Llame a la línea directa de Kenmore Water al 1-800-426-9345.

Lista de piezas de la válvula

Clave No.	Pieza No.	Descripción
50	7338111	Tornillo 6-19 x 1-3/8 pulg. (se necesitan 2)
51	7281291	Motor
52	7337474	Soporte del motor
53	7284964	Leva y engranaje
54	7030713	Interruptor
-	7331185	Juego de adaptador para manguera de desagüe (se incluye claves No. 55 a 59)
55	↑	Clip para desagüe
56	↑	Adaptador para manguera de desagüe
57	↑	Abrazadera para manguera
58	↑	Junta tórica, 5/8 x 13/16 pulg.
59	↑	Tapón de flujo, 2.0 gpm
-	7129716	Juego de sellos (se incluye claves No. 60 a 65)
60	↑	Junta tórica, 7/16 x 5/8 pulg.
61	↑	Junta tórica, 3/4 x 15/16 pulg.
62	↑	Junta tórica, 3-3/8 x 3-5/8 pulg.
63	↑	Sello de rotor
64	↑	Junta tórica, 3/8 x 9/16 pulg.
65	↑	Sello, boquilla y tubo Venturi
66	7082087	Cojinete, arandela ondulada
67	7199232	Rotor y disco
-	7342665	Juego de tapón de desagüe, 3/4 pulg. (se incluye claves No. 64, 68 y 69)
68	↑	Tapón para sello de desagüe
69	↑	Resorte
70	7337563	Clip, 3/4 pulg., paquete de 4
71	7342673	Adaptador de instalación, 3/4 pulg., paquete de 2, incluyendo 2 c/u de los clips y juntas tóricas (vea las claves No. 70 y 72)



Clave No.	Pieza No.	Descripción
72	7337571	Junta tórica, 15/16 x 1-3/16 pulg., paquete de 4
-	7113040	Conjunto de turbina y soporte, incluyendo 2 juntas tóricas (vea la clave No. 72) y 1 c/u de las claves No. 73 y 74
73	↑	Soporte y eje de la turbina
74	↑	Turbina
75	7082053	Cuerpo de la válvula
76	7081201	Retén, boquilla y tubo Venturi
77	7342649	Junta tórica, 1/4 x 3/8 pulg., paquete de 2
78	1202600	Tuerca - Férula
-	7257454	Conjunto de boquilla y tubo Venturi (incluye claves No. 76, 77 y 79-87)
79	7081104	Bastidor, boquilla y tubo Venturi
80	7095030	Malla de cono
81	1148800	Tapón de flujo, 0.3 gpm
82	7114533	Juego de empaques para boquilla y tubo Venturi
	7204362	Empaque (solamente)
83	7084607	Tapón de flujo, 0.15 gpm
84	7146043	Malla
85	7167659	Soporte de la malla
86	7170262	Junta tórica, 1-1/8 x 1-3/8 pulg.
87	7199729	Tapón
88	7309803	Mazo de cables (sensor)
89	7337466	Cubierta de válvula
90	7342657	Tornillo 10-14 x 2 pulg., paquete de 5
91	7254260	Juego de adaptadores de instalación (se incluye 2 c/u de tubos de cobre, tuercas, clips y arandelas) *
92	7278434	Conjunto de válvula de derivación, 3/4 pulg., incluyendo 2 juntas tóricas (vea la clave No. 72)
■	7139999	Tubería de desagüe, 3/8 pulg. de D.I. x 20 pies (6 m)
■	7123613	Grasa de silicona (para las juntas tóricas) *
■	42-34405	Conectores flexibles, 3/4 pulg. *
■	42-34407	Conectores flexibles, 1 pulg. *

■ No se ilustra.

* No se incluye en el ablandador de agua.

¿Tiene preguntas? Llame a la línea directa de Kenmore Water al 1-800-426-9345.

Kenmore®

For Sears Home Services in-home repair
of all Kenmore major appliances.

For the replacement parts, accessories and
Use & Care Guides that you need to do-it-yourself.

For professional installation of major home appliances
and items like air conditioners and water heaters.

1-844-553-6667

www.kenmore.com

In Canada 1-800-469-4663

www.sears.ca

Call anytime for the location of your nearest
Sears Parts & Repair Service Center

1-800-488-1222 (U.S.A.)

1-800-469-4663 (Canada)

To purchase a protection agreement on a serviceable product:

1-800-827-6655 (U.S.A.)

1-800-361-6665 (Canada)

Para pedir servicio de reparación
a domicilio, y ordenar piezas:

1-888-SU-HOGAR®

(1-888-784-6427)

www.kenmore.com

Au Canada pour service en français:

1-800-LE-FOYER^{MC}

(1-800-533-6937)

www.sears.ca

