

CLICK ANYWHERE on THIS PAGE TO RETURN to Rain-Soft WATER SOFTENERS  
<<https://inspectapedia.com/plumbing/Rain-Soft-Water-Softeners-Manuals.php>>  
at InspectApedia.com

Rainsoft Division of Aquion, Inc  
2080 East Lunt Avenue  
Elk Grove Village, Illinois, 60007  
1.847.437.9400 or 1.800.860.7638  
[www.rainsoft.com](http://www.rainsoft.com)

# Rain Soft®

*Taking the Worry Out of Water ...Since 1953*

## **EC4 SERIES WATER TREATMENT SYSTEM**

# Owner's Manual



This product is manufactured in an ISO 9001: 2008 certified facility.



The EC4 series is tested and certified by the WQA to NSF/ANSI 44 for the specific performance claims as verified and substantiated by test data. See the performance data sheet for specific reduction claims.

The EC4 series is tested and certified by WQA to NSF/ANSI 372 for California "lead free" compliance.

Part No.: 15929

Rev: M 04/13

# Table of Contents

Information on Water Treatment Systems .....	3
Application Limitations .....	3
Operational Specifications .....	4-6
Salt Requirements.....	7
Resin Cleaners.....	7
Maintenance Requirements.....	7
Product Certification Information.....	7
Installation Instructions .....	8-11
System Start Up.....	12
An Overview of the Regeneration Process.....	13-14
Customer Settings.....	15-16
How to Initiate a Manual Regeneration .....	16
System Alarms .....	17
Understanding the Information Center .....	17
Troubleshooting Guide .....	18
Warranty Information .....	19
Exploded Views and Parts Lists .....	20-23
California Performance Data Sheets.....	24-29

**Congratulations** on your purchase of a RainSoft water treatment system.

This Owner's Manual is designed to assist with the operation, maintenance, and installation of your water treatment system. It is our sincere hope that this manual is clear, concise, and helpful to you as a new owner.

**Questions?** If you have any questions regarding the installation, operation, or servicing of this system, please contact your local RainSoft Dealer. Your local RainSoft Dealer is familiar with your particular water conditions, and is able to address your concerns promptly and efficiently.

## Information on Water Treatment Systems


There are many misconceptions that have been developed about water treatment systems. The most common topic of confusion is the amount of sodium (Na), not table salt (NaCl), that is added to the water from a water conditioner. In reality, ion exchange does replace the hardness ions in your water with sodium ions, but the common misconception is the amount used.


For every 1 grain of hardness, the exchange process will deliver approximately 8 milligrams of sodium per 1 liter of water. The amount of sodium present in a standard 8 ounce glass of treated water, that was 10 grains hard prior to treatment, would be around 19 milligrams of sodium. This is an insignificant amount of sodium considering a typical slice of white bread has about 140 milligrams.


Another common misconception that needs mentioning is the amount of salt used by the conditioner to regenerate the system. In the past, water conditioners used more salt to regenerate, but that was due to old technology and standards. Water conditioners do use salt for regeneration, but the amount of salt varies by water consumption and hardness levels. Fortunately, today's technology allows us to dispense just the right amount of salt for maximum efficiency, based on your individual water consumption needs.

## Application Limitations


- On hardness levels of 60 grains and higher, the system may not achieve a hardness of less than 1 grain; due to high Total Dissolved Solids, some bleed through is possible. Bleed through can also be caused by sodium levels higher than 1000 parts per million. In either case, your system can be programmed to minimize these effects. See your RainSoft Dealer for details.
- Chlorine or Chloramine levels on municipality treated water should not exceed 4 parts per million.\* When Chlorine or Chloramine levels are 4 parts per million\* or greater, it can have adverse effects on your system. In applications where high levels are a concern, pre-filtration is necessary to reduce the Chlorine or Chloramine to an acceptable level. See your RainSoft Dealer for details.
- When this system is installed on water with Ferrous iron, also known as clear water iron, the maximum range of removal is based on local water conditions. The range is generally 2 to 10 parts per million. Your equipment may require special programming, along with an additive to the brine tank, to maximize the equipment's ability to remove iron. See your RainSoft Dealer for details.

 **Helpful Tip: Another common misconception of water treatment systems is the idea that soft water will produce clear ice cubes. Cloudy or white, hazy ice cubes are caused by air that is slowly being released from the water during the freezing process, which has nothing to do with the performance of your system.**

 **Important Note: This system may be in-stalled on well water or municipality treated water supplies.**

 **Important Note: Most municipality treated water supplies contain Chlorine as a disinfectant. Many municipalities also inject ammonia into the water supply, creating Chloramine.**

\* **Maximum disinfectant level of Chlorine or Chloramine recommended from the EPA.**

 **Important Note: Iron fouled resin is not eligible for warranty replacement.**

# Operational Specifications

## Plumbing

3/4 inch to 1 1/4 inch I.D.

## Drain Line

1/2 inch I.D.

## Water Pressure

20 psi–120 psi (1.38 bar – 6.89 bar)

## Operating Temperatures

40° F–100° F (4.4° C – 37.8° C)

## Electrical Requirements

A properly grounded alternating current supply (110 VAC 60 Hz or 230 VAC 50 Hz) is required for the operation of this system. Please check the transformer for the correct voltage requirements.

## Bypass Valve

The bypass valve enables you to bypass the system in situations of: emergency leaks in the equipment, service calls.

## Existing Plumbing Conditions

Plumbing should be free from lime and/or iron buildup. Piping that contains large amounts of lime and/or iron should be replaced.

## Additional Specifications

- Do not install this system where water is microbiologically unsafe or of unknown quality without adequate disinfection before or after the system.
- This system must be installed in accordance with all applicable state and local laws and regulations.
- The Commonwealth of Massachusetts Plumbing Code 248 CMR shall be adhered to. A licensed plumber shall be used for this installation.
- This system must be installed in an area not affected by extreme heat, cold or the elements. The selected installation area must be adequate for easy service and accessibility.
- This system is designed to treat cold water only. The installation must be on a cold water supply.

**! Important Note: This system requires the use of the supplied transformer (24 VAC).**

**! Important Note: The manually operated bypass valve enables the conditioner to be isolated from the water service line for maintenance and service. It also maintains the continuity of the water supply when the conditioner is disconnected.**

## Data Chart for ION-X 2000 V Resin

Model	Tank Size (inches)	Cation Exchange Resin (cu. ft.)	Max. Service Flow (gpm)	Drain Flow (gpm)	psi Drop	High Salting	Medium Salting	Low Salting	Efficiency*
EC4 50 V	8 x 44	0.5	10	1.5	14.0	18,700 @ 7.5 lbs.	15,500 @ 5.0 lbs.	8,900 @ 2.0 lbs.	4,476 @ 2.0 lbs.
EC4 50 CV	8 x 44	0.5	10	1.5	13.0	18,700 @ 7.5 lbs.	15,500 @ 5.0 lbs.	8,900 @ 2.0 lbs.	4,476 @ 2.0 lbs.
EC4 60SS V	10 x 18	0.6	9.5	2.0	9.0	22,400 @ 9.0 lbs.	18,600 @ 6.0 lbs.	10,700 @ 2.4 lbs.	4,476 @ 2.4 lbs.
EC4 60SS CV	10 x 18	0.6	9.5	2.0	8.0	22,400 @ 9.0 lbs.	18,600 @ 6.0 lbs.	10,700 @ 2.4 lbs.	4,476 @ 2.4 lbs.
EC4 60S V	10 x 35	0.6	9.5	2.0	9.0	22,400 @ 9.0 lbs.	18,600 @ 6.0 lbs.	10,700 @ 2.4 lbs.	4,476 @ 2.4 lbs.
EC4 60S CV	10 x 35	0.6	9.5	2.0	8.0	22,400 @ 9.0 lbs.	18,600 @ 6.0 lbs.	10,700 @ 2.4 lbs.	4,476 @ 2.4 lbs.
EC4 75 V	8 x 44	0.75	8.6	1.5	15.0	28,100 @ 11.2 lbs.	23,200 @ 7.5 lbs.	13,400 @ 3.0 lbs.	4,476 @ 3.0 lbs.
EC4 75 CV†	8 x 44	0.75	9.2	1.5	15.0	28,100 @ 11.2 lbs.	23,200 @ 7.5 lbs.	13,400 @ 3.0 lbs.	4,476 @ 3.0 lbs.
**EC4 75 VA+ Stainless Steel	8 x 44	0.75	9.2	1.5	15.0	28,100 @ 11.2 lbs.	23,200 @ 7.5 lbs.	13,400 @ 3.0 lbs.	4,476 @ 3.0 lbs.
EC4 100 V	10 x 44	1.0	10.0	2.0	10.0	34,500 @ 15.0 lbs.	30,500 @ 10.0 lbs.	14,200 @ 3.0 lbs.	4,750 @ 3.0 lbs.
EC4 100 CV†	10 x 44	1.0	10.0	2.0	11.0	34,500 @ 15.0 lbs.	30,500 @ 10.0 lbs.	14,200 @ 3.0 lbs.	4,750 @ 3.0 lbs.
EC4 100S V	10 x 35	1.0	10.0	2.0	10.0	34,500 @ 15.0 lbs.	30,500 @ 10.0 lbs.	14,200 @ 3.0 lbs.	4,750 @ 3.0 lbs.
EC4 100S CV	10 x 35	1.0	10.0	2.0	11.0	34,500 @ 15.0 lbs.	30,500 @ 10.0 lbs.	14,200 @ 3.0 lbs.	4,750 @ 3.0 lbs.
**EC4 100 VA+ Stainless Steel	10 x 35	1.0	10.0	2.0	11.0	34,500 @ 15.0 lbs.	30,500 @ 10.0 lbs.	14,200 @ 3.0 lbs.	4,750 @ 3.0 lbs.
EC4 150 V	10 x 54	1.5	9.0	2.0	10.0	51,800 @ 22.5 lbs.	45,800 @ 15.0 lbs.	21,400 @ 4.5 lbs.	4,750 @ 4.5 lbs.
EC4 150 CV†	10 x 54	1.5	10.4	2.0	15.0	51,800 @ 22.5 lbs.	45,800 @ 15.0 lbs.	21,400 @ 4.5 lbs.	4,750 @ 4.5 lbs.
**EC4 150 VA+ Stainless Steel	10 x 54	1.5	10.4	2.0	15.0	51,800 @ 22.5 lbs.	45,800 @ 15.0 lbs.	21,400 @ 4.5 lbs.	4,750 @ 4.5 lbs.
EC4 250 V	13 x 54	2.5	10.4	3.0	10.0	86,300 @ 37.5 lbs.	76,400 @ 25.0 lbs.	35,600 @ 7.5 lbs.	4,750 @ 7.5 lbs.
EC4 250 CV	13 x 54	2.5	10.5	3.0	12.0	86,300 @ 37.5 lbs.	76,400 @ 25.0 lbs.	35,600 @ 7.5 lbs.	4,750 @ 7.5 lbs.
EC4 400 V	14 x 65	4.0	10.0	4.0	10.0	138,100 @ 60.0 lbs.	122,200 @ 40.0 lbs.	57,000 @ 12.0 lbs.	4,750 @ 12.0 lbs.
EC4 400 CV	14 x 65	4.0	11.3	4.0	14.0	138,100 @ 60.0 lbs.	122,200 @ 40.0 lbs.	57,000 @ 12.0 lbs.	4,750 @ 12.0 lbs.
EC4-CAB 60SS V	10 x 18	0.6	9.5	2.0	9.0	22,100 @ 9.0 lbs.	18,300 @ 6.0 lbs.	10,500 @ 2.4 lbs.	4,415 @ 2.4 lbs.
EC4-CAB 60SS CV	10 x 18	0.6	9.5	2.0	8.0	22,100 @ 9.0 lbs.	18,300 @ 6.0 lbs.	10,500 @ 2.4 lbs.	4,415 @ 2.4 lbs.
EC4-CAB 60 V	10 x 35	0.6	9.5	2.0	9.0	22,400 @ 9.0 lbs.	18,600 @ 6.0 lbs.	10,700 @ 2.4 lbs.	4,476 @ 2.4 lbs.
EC4-CAB 60 CV	10 x 35	0.6	9.5	2.0	8.0	22,400 @ 9.0 lbs.	18,600 @ 6.0 lbs.	10,700 @ 2.4 lbs.	4,476 @ 2.4 lbs.
EC4-CAB 100 V	10 x 35	1.0	10.0	2.0	10.0	34,500 @ 15.0 lbs.	30,500 @ 10.0 lbs.	14,200 @ 3.0 lbs.	4,750 @ 3.0 lbs.
EC4-CAB 100 CV	10 x 35	1.0	10.0	2.0	12.0	34,500 @ 15.0 lbs.	30,500 @ 10.0 lbs.	14,200 @ 3.0 lbs.	4,750 @ 3.0 lbs.

• The conditioners are efficiency rated according to NSF/ANSI 44. The efficiency of the conditioner is valid only at the stated salt dosage.

Higher or lower pressure will affect the efficiency of the system.

† Only the following models are certified in the State of California: EC4 75 CV, EC4 100 CV, EC4 150 CV. All other models are not certified in the State of California for the purpose of making health claims.

\*\* EC4 75 VA+ Stainless Steel, 100 VA+ Stainless Steel, and 150 VA+ Stainless Steel are not tested and certified by WQA.

**Data Chart for ION-X 100 T Resin**

Model	Tank Size (inches)	Cation Exchange Resin (cu. ft.)	Max. Service Flow (gpm)	Drain Flow (gpm)	psi Drop	High Salting	Medium Salting	Low Salting	Efficiency*
EC4 50 T	8 x 44	0.5	10	1.5	12.0	13,500 @ 7.5 lbs.	11,700 @ 5.0 lbs.	6,600 @ 2.0 lbs.	n/a
EC4 50 CT	8 x 44	0.5	10	1.5	13.0	13,500 @ 7.5 lbs.	11,700 @ 5.0 lbs.	6,600 @ 2.0 lbs.	n/a
EC4 60SS T	10 x 18	0.6	10	2.0	9.0	14,300 @ 9.0 lbs.	12,400 @ 6.0 lbs.	7,000 @ 2.4 lbs.	n/a
EC4 60SS CT	10 x 18	0.6	10	2.0	9.0	14,300 @ 9.0 lbs.	12,400 @ 6.0 lbs.	7,000 @ 2.4 lbs.	n/a
EC4 60S T	10 x 35	0.6	10	2.0	9.0	14,300 @ 9.0 lbs.	12,400 @ 6.0 lbs.	7,000 @ 2.4 lbs.	n/a
EC4 60S CT	10 x 35	0.6	10	2.0	9.0	14,300 @ 9.0 lbs.	12,400 @ 6.0 lbs.	7,000 @ 2.4 lbs.	n/a
EC4 75 T	8 x 44	0.75	9.9	1.5	14.0	20,200 @ 11.2 lbs.	17,600 @ 7.5 lbs.	10,000 @ 3.0 lbs.	n/a
EC4 75 CT	8 x 44	0.75	9.4	1.5	15.0	20,200 @ 11.2 lbs.	17,600 @ 7.5 lbs.	10,000 @ 3.0 lbs.	n/a
**EC4 75 TA+ Stainless Steel	8 x 44	0.75	9.4	1.5	15.0	20,200 @ 11.2 lbs.	17,600 @ 7.5 lbs.	10,000 @ 3.0 lbs.	n/a
EC4 100 T	10 x 44	1.0	10.0	2.0	10.0	30,500 @ 15.0 lbs.	26,100 @ 10.0 lbs.	13,500 @ 3.0 lbs.	4,516 @ 3.0 lbs.
EC4 100 CT	10 x 44	1.0	10.0	2.0	11.0	30,500 @ 15.0 lbs.	26,100 @ 10.0 lbs.	13,500 @ 3.0 lbs.	4,516 @ 3.0 lbs.
EC4 100S T	10 x 35	1.0	10.0	2.0	10.0	30,500 @ 15.0 lbs.	26,100 @ 10.0 lbs.	13,500 @ 3.0 lbs.	4,516 @ 3.0 lbs.
EC4 100S CT	10 x 35	1.0	10.0	2.0	11.0	30,500 @ 15.0 lbs.	26,100 @ 10.0 lbs.	13,500 @ 3.0 lbs.	4,516 @ 3.0 lbs.
**EC4 100 TA+ Stainless Steel	10 x 44	1.0	10.0	2.0	11.0	30,500 @ 15.0 lbs.	26,100 @ 10.0 lbs.	13,500 @ 3.0 lbs.	4,516 @ 3.0 lbs.
EC4 150 T	10 x 54	1.5	9.6	2.0	12.0	45,700 @ 22.5 lbs.	39,200 @ 15.0 lbs.	20,300 @ 4.5 lbs.	4,516 @ 4.5 lbs.
EC4 150 CT	10 x 54	1.5	9.6	2.0	13.0	45,700 @ 22.5 lbs.	39,200 @ 15.0 lbs.	20,300 @ 4.5 lbs.	4,516 @ 4.5 lbs.
EC4 150 CT	10 x 54	1.5	9.6	2.0	13.0	45,700 @ 22.5 lbs.	39,200 @ 15.0 lbs.	20,300 @ 4.5 lbs.	4,516 @ 4.5 lbs.
**EC4 150 TA+ Stainless Steel	10 x 54	1.5	9.6	2.0	13.0	45,700 @ 22.5 lbs.	39,200 @ 15.0 lbs.	20,300 @ 4.5 lbs.	4,516 @ 4.5 lbs.
EC4 250 T	13 x 54	2.5	11.4	3.0	12.0	76,200 @ 37.5 lbs.	65,400 @ 25.0 lbs.	33,800 @ 7.5 lbs.	4,516 @ 7.5 lbs.
EC4 250 CT	13 x 54	2.5	11.2	3.0	13.0	76,200 @ 37.5 lbs.	65,400 @ 25.0 lbs.	33,800 @ 7.5 lbs.	4,516 @ 7.5 lbs.
EC4 400 T	14 x 65	4.0	10.8	4.0	12.0	122,000 @ 60.0 lbs.	104,700 @ 40.0 lbs.	54,100 @ 12.0 lbs.	4,516 @ 12.0 lbs.
EC4 400 CT	14 x 65	4.0	10.8	4.0	12.0	122,000 @ 60.0 lbs.	104,700 @ 40.0 lbs.	54,100 @ 12.0 lbs.	4,516 @ 12.0 lbs.
EC4-CAB 60 T	10 x 35	0.6	10	2.0	9.0	14,300 @ 9.0 lbs.	12,400 @ 6.0 lbs.	7,000 @ 2.4 lbs.	n/a
EC4-CAB 60 CT	10 x 35	0.6	10	2.0	9.0	14,300 @ 9.0 lbs.	12,400 @ 6.0 lbs.	7,000 @ 2.4 lbs.	n/a
EC4-CAB 60SS T	10 x 18	0.6	10	2.0	9.0	14,300 @ 9.0 lbs.	12,400 @ 6.0 lbs.	7,000 @ 2.4 lbs.	n/a
EC4-CAB 60SS CT	10 x 18	0.6	10	2.0	9.0	14,300 @ 9.0 lbs.	12,400 @ 6.0 lbs.	7,000 @ 2.4 lbs.	n/a
EC4-CAB 100 T	10 x 35	1.0	10.0	2.0	10.0	30,500 @ 15.0 lbs.	26,100 @ 10.0 lbs.	13,500 @ 3.0 lbs.	4,516 @ 3.0 lbs.
EC4-CAB 100 CT	10 x 35	1.0	10.0	2.0	11.0	30,500 @ 15.0 lbs.	26,100 @ 10.0 lbs.	13,500 @ 3.0 lbs.	4,516 @ 3.0 lbs.

\* The conditioners are efficiency rated according to NSF/ANSI 44. The efficiency of the conditioner is valid only at the stated salt dosage.

Higher or lower pressure will affect the efficiency of the system.

\*\* EC4 75 TA+ Stainless Steel, 100 TA+ Stainless Steel, and 150 TA+ Stainless Steel are not tested and certified by WQA.

## Salt Requirements

Two salt types are recommended for water conditioners:

**Block Salt:** Water conditioner block salt is reasonably priced, low in impurities, and will not cake in the salt container.

**Solar Salt:** Solar salt is reasonably priced and low in impurities.

## Resin Cleaners

It is always wise to provide preventative maintenance for your system. If small amounts of iron are present in your water, use a salt containing iron remover or add RainSoft water conditioner cleaner to the salt tank when adding salt. If an excessive amount of iron is present in your water, we recommend the installation of an iron filter before the conditioner. See your RainSoft Dealer for details.

## Maintenance Requirements

### Cleaning the Regeneration Valve

The regeneration valve body is designed to last a lifetime, but from time to time it may be necessary to clean and lubricate the moving parts. Your water quality and the amount of regenerations necessary will affect this maintenance schedule. Your local RainSoft Dealer is knowledgeable in the different water qualities and will have the necessary parts to complete this service.

### Testing Your Water

If you are relying on this system for barium and radium reduction, we recommend testing your water periodically (2 times a year) with a hardness test strip (supplied) to ensure that the system is performing properly, and that hardness, barium, and radium are being reduced\*. Additional hardness test strips are available at no charge from RainSoft. Please call 1-800-860-7638 for your free two year supply.

In between testing, you can easily monitor the system's performance in the shower or while washing your hands. The feeling of soft water should be present on your skin.

## Product Certification Information

The EC4 Series is tested and certified by the WQA to NSF/ANSI Standard 44 for the specific performance claims as verified and substantiated by test data. Please refer to the performance data sheets for specific reductions claims.

The EC4 Series is tested and certified by WQA to NSF/ANSI 372 for California "lead free" compliance.

Water treatment devices sold to retail consumers in California, accompanied by certain health claims, must be certified by the State of California Department of Public Health. Models EC4 75 CV (certificate #06-1803), EC4 100 CV (certificate #06-1802), EC4 150 CV (certificate #06-1801) are certified in California. All other models are not certified in the State of California for the purpose of making health claims. For health claims certified by the State of California Department of Public Health, conditions of use and replacement parts, please refer to the California performance data sheets on pages 24-29.

EC4 stainless steel models 75 VA+, 100 VA+, 150 VA+, 75 TA+, 100 TA+, and 150 TA+ are not tested and certified by WQA.

**! Important Note: Rock salt is not recommended for RainSoft water conditioners. If rock salt is used, the salt container must be cleaned out periodically. DO NOT USE GRANULATED SALT! The use of granulated salt may cause service problems.**

**! Helpful Tip: Resin cleaner will prevent the treatment media from becoming iron fouled.**

**! Important Note: If you use a cleaner containing nitric acid or other strong oxidizing agents, please use caution and follow instructions carefully.**

**! Helpful Tip: We recommend that this service be performed every three years or earlier if necessary.**

**! Important Note: The supplied test strip only tests for hardness. A reduction of hardness is also an indication that barium and radium are being reduced\*.**

**\* Only the following models are certified for barium and radium reduction in the State of California: EC4 75 CV, EC4 100 CV, EC4 150 CV. All other models are not certified in the State of California for the purpose of making health claims.**

# Installation Instructions

## 1. Safety Precautions

- To prevent an accident and/or injury, do not hoist the unit over your shoulder. Use a hand truck to transport the unit.
- Do not lay the unit on its side.
- Wear safety glasses and work gloves during installation.

## 2. Test the Raw Water

- If water contains iron, manganese or hydrogen sulfide, a separate iron removal system is suggested to be installed prior to the conditioner, consulting with your local dealer.

## 3. Check the Water Pressure

- Use a pressure gauge to confirm that the water pressure does not exceed 120 psi. If the water pressure does exceed this limit, install a pressure regulator on the inlet pipe of the unit. The minimum water pressure for a conditioner is 20 psi. 60 psi is the optimum operating pressure.

## 4. Locate a Site for the System

- There are three primary requirements needed for a site: the main water source, an air-gap drain and a grounded electrical connection. Locate the system as close to these items as practical. Drain lines over 50 feet long, may need to be increased in size to allow proper flow.
- Place the system in the desired location. The location should have a level, smooth, and clean surface.
- If the system is located outdoors, protect the unit from direct sunlight. Direct sunlight can damage the fiberglass and other system components. If necessary, build a box or shed.


## 5. Install the Valve Head

- Remove the cap plug from the tank.
- Lubricate the riser pipe O-ring and tank O-ring with the Dow 111 silicone-based lubricant or equivalent.
- Attach the supplied upper basket to the bottom of the control valve; twist to lock in place. Do not use if water contains any amount of iron.
- Align the upper basket with the riser pipe and slowly lower the control valve onto the riser pipe, using a twisting motion.
- Align the control valve with the tank. Push down on the control valve and continue to turn it clockwise until the valve o-ring seals against the tank.

## 6. Turn Off the Water and Drain the Plumbing

- Turn off the water at the meter or the pressure tank.
- To drain the plumbing system, open all faucets in the house and flush the toilets. The water will drain out of the lowest faucet or outlet.
- Do not sweat pipes with water in them or while attached to the system; steam will damage the plastic parts in the valve.

**! Important Note: For Massachusetts Residents Only: The Commonwealth of Massachusetts Plumbing Code 248 CMR shall be adhered to. A licensed plumber shall be used for this installation.**

 **Helpful Tip: The drain may be a floor drain, a sewer trap, utility sink, vent stack, dry well, etc., depending on local plumbing codes.**

**! Important Note: The system can only be installed outdoors in climates that do not reach freezing levels.**

**! Important Note: Not Applicable for EC4-CAB and SS Models.**

**! Important Note: Do not over-tighten the valve to the tank.**

 **Helpful Tip: This procedure will allow air to enter the plumbing system.**

**! Important Note: Applicable for copper plumbing installations.**



- Do not point the soldering torch directly at the mineral tank or control valve. These composite materials will last a lifetime, but cannot withstand the intense heat from a torch.
- Avoid short connections of pipe between the system and the water heater. If you can't avoid a short connection, move the system to another location. As a last resort, install a heat trap or check valve. If this causes "water hammer", install a water hammer suppressor.

## 7. Provide Untreated Water for Irrigation or Outdoor Watering

- If available, run an untreated water line to outside faucet or provide a hose connection on untreated line prior to system.

## 8. Install the Pipe Connector (Yoke) to the Bypass Valve

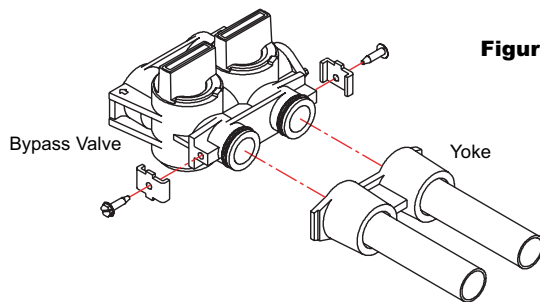


Figure 1

- Once the plumbing is complete, connect the yoke to the bypass valve (see figure 1).
- Support all plumbing connected to the yoke.
- Connect the raw water supply to the inlet pipe connection of the yoke. When looking at the front of the system, the inlet is the pipe connection on the right side of the valve (see figure 2). The arrow molded into valve indicates the direction of flow.
- Connect the treated water pipe to the outlet pipe connection on the yoke. When looking at the front of the system, the outlet is the pipe connection on the left side of the valve (see figure 2). The arrow molded into the valve indicates the direction of flow.

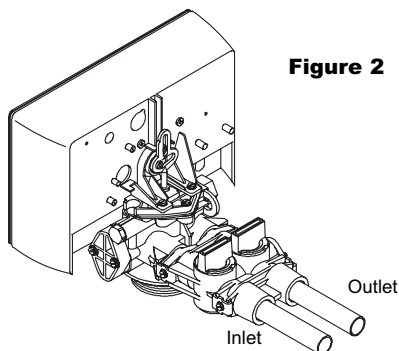


Figure 2

## 9. Set the Bypass Valve to Bypass

- Move the bypass valve handles to the bypass position. The valve handles should be perpendicular to the pipes (see figure 3).

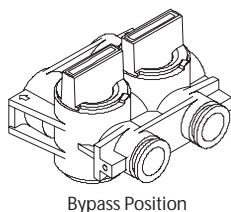


Figure 3

Bypass Position

**! Important Note: Short connections of pipe may allow hot water to back up into the system.**

**! Important Note: The bypass valve is not designed to withstand heat from soldering or twisting from the attached threaded connections.**

**! Important Note: Too much weight on the plumbing connections will cause a leak.**

## 10. Install the Drain Line and Air Gap (Air Gap Not Supplied)

- For all drain lines, use at least a 1/2 inch I.D. line.
- Connect the drain line to the drain outlet on back of the valve, opposite the inlet connection (see figure 4). A fitting is required to connect the female pipe thread to the drain line.

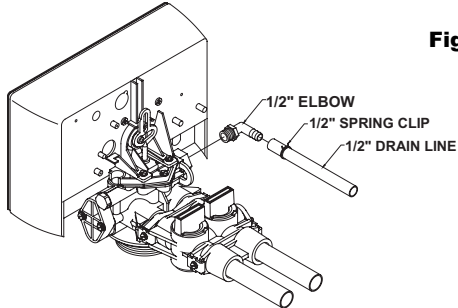


Figure 4

- Run the drain line to the air gap. The air gap must be installed between the end of the drain line and the drain to prevent possible back siphoning (see figure 5).

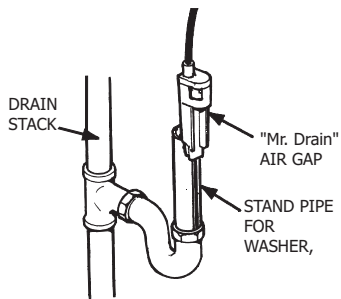


Figure 5

**! Important Note: The air gap should be two times the diameter of the drain line or a minimum of two inches. Please check your local plumbing codes to ensure compliance.**

## 11. Install the Brine Safety Float

- Insert the brine well into the brine tank (see figure 6).
- Attach the brine well to the brine tank with the overflow elbow (see figure 6).
- Insert the safety float into the brine well. The top of the safety float should be about 5 inches from the overflow elbow (see figure 6).

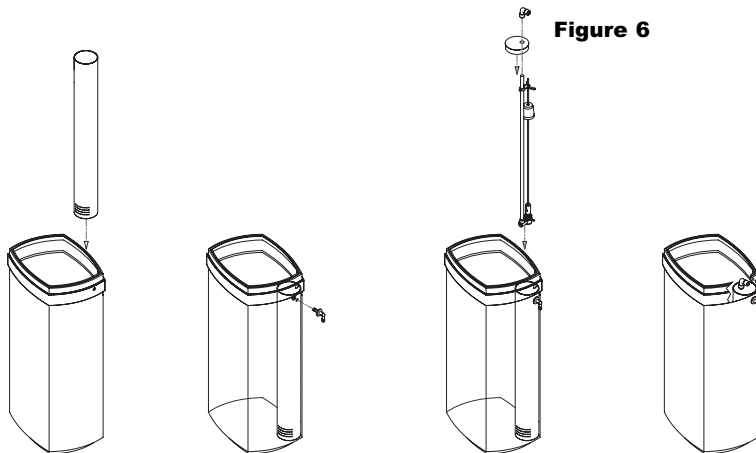


Figure 6

**! Important Note: Not Applicable for EC4-CAB Models.**

## 12. Install the Brine Line

- Slide the brass compression nut over the end of the brine line, followed by the ferrule and tube support. Attach the brine line to the brass fitting on the right side of the valve (see figure 7).
- Insert a tube support into the other end of the brine line and push the brine line into the brine safety float elbow. Use a locking clip to secure the connection (see figure 7).

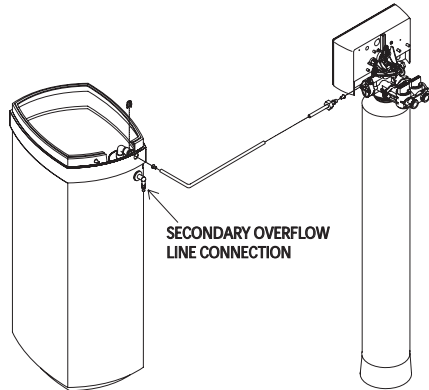


Figure 7

**! Important Note: Not Applicable for EC4-CAB Models.**

**! Important Note for EC4-CAB Models: The overflow elbow is located on the back of the brine tank (not shown).**

**! Important Note: The brine overflow line must not be higher than the overflow elbow on the brink tank. (This is a gravity overflow.) And only is used when other overflow valves fail.**

## 13. Install the Brine Overflow Line (indoors)

- Run a 1/2 inch I.D. brine overflow line from the overflow elbow on the side of the brink tank to an approved drain (see figure 7).

## 14. Attach the Electrical Connection

- Remove the supplied wire from the warranty pack.
- Attach the U shaped connectors (supplied) to the wire with a crimping tool (not supplied), then connect the wire to the two outside terminals on the transformer (see figure 8).
- Insert the other end of the wire, with the quick connector, into the back of the control box (see figure 8).
- Plug the transformer into a 110 VAC 60 Hz or 230 VAC 50 Hz outlet.

**! Helpful Tip: If the wire is too short, use the supplied connectors and shrink tubing in the warranty pack to lengthen the wire.**

**! Helpful Tip: Squeeze the connector to release it from the box.**

**! Helpful Tip: Check the transformer label for the correct voltage requirement.**

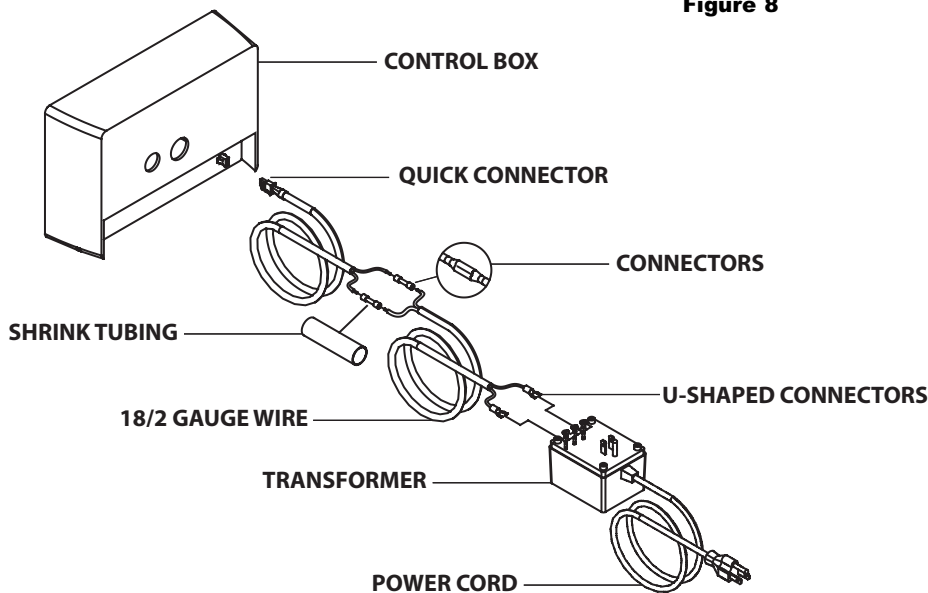


Figure 8

# System Start Up

## 1. Turn on the Water and Check for Leaks

- Close all faucets and turn the water back on at the water meter or pressure tank.
- Check for leaks. If a leak is present, drain the plumbing again before soldering.

## 2. Flush the Remaining Debris from the System

- Open the cold water faucet on your bathtub.
- Allow the system to flush the remaining dirt and debris into the bathtub, until the water runs clear.
- Open all remaining faucets and allow the plumbing to release any trapped air in the system.
- Close all of the faucets.

## 3. Open the Bypass Valve

- Move the bypass valve handles to the service position. The valve handles should be parallel to the pipes (see figure 9).

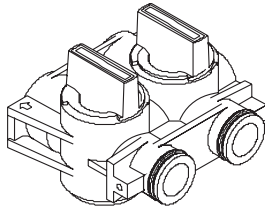


Figure 9

- Open a cold water tap and allow the appliance to flush for 20 minutes or until approximately 100 gallons has passed through the appliance.

## 4. Flush the Hot Water Heater

- Run hot water in the bathtub until the water tests soft.


## 5. Add Salt and Program the Computer

- Please refer to the “Customer Settings” on pages 13–14.

## 6. Sanitize the Conditioner

- Mix a 3/4 cup of common (unscented) 5.25% household bleach with 1 quart of water. Pour this solution into the brine well.
- Initiate a manual regeneration. The solution will be drawn into the conditioner during the regeneration process.
- After the system has completed a manual regeneration, the conditioner will be sanitized and ready for use.

 **Helpful Tip: This procedure will prevent dirt and debris from entering the valve.**

 **Helpful Tip: It is common for new systems to have some color in the water. The color should disappear after you completely flush the system.**

 **Important Note: Do not pour undiluted bleach into the water conditioner.**

## **An Overview of the Regeneration Process**

Your RainSoft EC4 Water Conditioner performs a periodic regeneration cycle to clean itself and restore its capacity. How often it regenerates depends on your water use, incoming water hardness, and several other factors, but 1 - 2 times a week is typical. An automatic regeneration will never occur more than once in a day, and is programmed to occur at a time when you are unlikely to be using water (late at night in most cases). The time of regeneration is adjustable through the control board. Here is an overview of the regeneration process:

### **Brine Tank Fill**

The first step in preparation for the regeneration is to add water to the brine tank. The amount of salt the conditioner uses in its regeneration is directly related to the amount of water added to the brine tank. The salt will only dissolve into the water until it reaches a point of saturation, then no matter how much longer it sits, no additional salt will dissolve. Many softeners add a fixed amount of water to the brine tank at the end of each regeneration cycle. With that type of unit, the water sits in the tank until the next regeneration, usually for several days.

Your EC4 uses a more sophisticated and efficient approach called "proportional brining." The computer continually monitors your water use and decides if regeneration is needed today. If regeneration is needed, the computer moves the valve to the brine refill position about two hours before the scheduled time of regeneration. You may hear the motor running and some water flowing at this time. Because the computer knows how much water you've used, it calculates the exact amount of salt that will be needed to completely restore the system capacity. Then it adds just enough water to the brine tank to dissolve that much salt. So you can say it creates brine in proportion to the amount of capacity you need to restore - it doesn't waste salt.

**EXAMPLE:** If the time of regeneration is set for 2:00 AM, you may hear the system apparently start to regenerate at 11:45 PM. What it is actually doing is running the brine fill cycle. It will fill the brine tank for a few minutes, then return to its normal home position for 2 hours. The actual full regeneration cycle starts at 2:00 AM as scheduled.

### **Soak Cycle**

After adding water to the brine tank, the valve returns to home position and waits for two hours. This gives the salt plenty of time to dissolve and ensures that an accurate salt dose is used. The system is still providing treated water to your home during this cycle.

### **Backwash Cycle**

At the exact time of regeneration, the valve moves to its backwash position for the start of its actual regeneration cycle. In the backwash position, the normal flow through the pressure tank is reversed, with water flowing from the bottom up, so that the softening mineral is lifted and cleaned. This removes any dirt or particles that have accumulated on the top of the mineral bed. As is true of the entire regeneration cycle, all the water flowing through the tank at this point is sent directly to the drain. None of the regeneration water enters your supply pipes. If you use any water during regeneration, the system provides you with untreated water that completely bypasses the tank.

## **Brine Draw / Slow Rinse Cycle**

After the system is backwashed for several minutes, the valve moves to the brine draw position. In this position, the valve creates a vacuum to pull the brine solution out of the brine tank. The brine solution flows slowly through the mineral bed, removing the hardness ions that are attached to the softening resin and sending them to the drain. After all the brine is drawn out of the brine tank, the system continues to slowly rinse the mineral bed, giving plenty of time for all the resin beads to be recharged and rinsing out any excess brine.

## **Fast Rinse Cycle**

The valve then moves to its final regeneration cycle, in which water flows quickly through the bed in its normal direction from top to bottom. This settles the mineral bed back down and serves as a final cleaning rinse. The valve then returns home. The regeneration cycle is complete.

**NOTE:** The entire regeneration cycle, from backwash to fast rinse, takes one to two hours in most cases.

## **MANUAL REGENERATION:**

Although it may never be necessary, you always have the option to start an immediate regeneration using the "manual regeneration" key on the keypad. The manual regeneration will start with brine tank fill and a 2 hour soak cycle as described above. Since a manual regeneration is primarily intended to recover from unusual circumstances, such as allowing the brine tank to run out of salt, it is assumed that you need to recover full capacity. Therefore, a manual regeneration always uses the maximum salt dose for your size of unit.

# Customer Settings



The Customer Settings mode allows access to a variety of programming options:

**Salt Level:** This function sets the level of salt in the salt tank.

**Vacation Mode:** This function puts the system into hibernation while you are on vacation or gone for extended period of time.

**Salt Alarm:** This function sets the audio and visual alarms to be active and the time they will sound or inactive with no sound.

**Time of Day:** This function sets the current time of day.

**Current Day:** This function sets the current day of the week.

**Current Date:** This function sets the current date by month/day/year.

**Auto Daylight Savings Time:** This function allows the computer to automatically adjust for daylight savings time in applicable areas.

**Time of Regeneration:** This function sets the time of day (only on the hour) that the computer will regenerate the system, based on the parameters set. The system is default set for the most efficient operation.

**To access these programming options, please follow the directions listed below.**

If the display is not lit, press any key to begin. When the display is lit, press the **Customer Settings key (Down Button)**. Use the **Menu Forward and Menu Back keys** to scroll to the parameter you wish to set or change. To exit the Customer Settings function at any time, press the **Enter key**.

## The computer will display: Salt Level

- Fill the salt tank (to level 4) with solar salt, block salt, or potassium chloride.
- Use the **Adjust Up** and **Adjust Down keys** to change the amount of salt to the level indicated on the salt tank scale (located on the side of the salt tank).

## The computer will display: Vacation Set- OFF

- Use the **Adjust Up** or **Adjust Down key** to select "ON".
- If you selected "ON", press the **Menu Forward**. The computer will display: Days Away - 2 Days.
- Use the **Adjust Up** and **Adjust Down keys** to change the number of days away.

**Helpful Tip: The Customer Setting Key is the Down Button as shown.**




**Important Note: When you exit the Customer Settings, the computer will automatically save any changes that have occurred.**

**Helpful Tip: The scale for block salt is designated by levels 1 - 4. The scale for bag salt or potassium chloride is designated by levels 1 - 5. For larger tanks, a salt scale sticker is available through your RainSoft Dealer, part number 19024.**

**Important Notes: After setting the vacation mode, the computer will provide a 16 hour delay for your convenience. If water use is detected after the 16 hour delay, the vacation mode is deactivated. One day prior to the scheduled return, the system will regenerate at the normal regeneration time. This feature will ensure a fresh conditioner bed upon your arrival.**

### The computer will display: Salt Alarm – ON

- Use the **Adjust Up** or **Adjust Down** key to select “OFF”.
- If you chose to keep the alarm “ON”, press the **Menu Forward** key. Use the **Adjust Up** and **Adjust Down** keys to change the alarm time, if desired.

 **Helpful Tip: Your system is designed to alert you when the salt tank needs to be refilled. Select an alarm time that is most convenient for you.**

### The computer will display: Time of Day

- Use the **Adjust Up** and **Adjust Down** keys to change the hour of day.
- Press the **Menu Forward** key to access the minutes of day. Use the **Adjust Up** and **Adjust Down** keys to change the minutes.

 **Helpful Tip: Use the Menu Back key to edit your selection.**

### The computer will display: Current Day

- Use the **Adjust Up** and **Adjust Down** keys to select the current day.

### The computer will display: Current Date

- Use the **Adjust Up** and **Adjust Down** keys to change the month.
- Press the **Menu Forward** key to access the day. Use the **Adjust Up** and **Adjust Down** keys to change the day.
- Press the **Menu Forward** key to access the year. Use the **Adjust Up** and **Adjust Down** keys to change the year.


 **Helpful Tip: Use the Menu Back key to edit your selection.**

### The computer will display: Auto Daylight Savings Time – ON

- Use the **Adjust Up** or **Adjust Down** key to select “OFF”.

### The computer will display: Time of Regen

- Use the **Adjust Up** or **Adjust Down** key to change the hour of regeneration.

 **Helpful Tip: If auto daylight savings time is “ON”, the system will automatically adjust the clock in the spring and fall. Only set the daylight savings time to “OFF” if daylight savings time is not observed in your area.**

To exit the Customer Settings, press the **Enter** key.

## How to Initiate a Manual Regeneration

If the display is not lit, press any key to begin. When the display is lit, press the **Manual Regen** key.

### The computer will display: Manual Regen Now or Later?

- To select “Now”, press the **Enter** key. The computer will provide a 10 second count down before regeneration. To cancel the **Now** manual regeneration, use the **Menu Forward** key to exit the menu before the regeneration begins. If the manual regeneration has already begun, the system must complete the regeneration and then return to service before interaction with the computer can resume.
- To select “Later”, press the **Menu Forward** key and then the **Enter** key. The computer will display: Manual Regen Later at (set regeneration time).

To exit the Manual Regeneration Mode, use the **Menu Forward** or **Menu Back** key.





# System Alarms

Your system is equipped with several alarm tones: low salt, no salt, and service required. Please see below for information on the alarms:

**Salt Alarms:** When your system's salt alarm sounds, you will have the option of refilling the salt tank now or postponing the alarm until later. To add salt now, follow the onscreen prompts. To postpone the alarm, use the **Adjust Up** and **Adjust Down** keys to select the number of days you wish to postpone the alarm. Press the **Enter** key after the number of days has been selected.

**Service Required Alarms:** Please contact your local RainSoft Dealer for service.

 **Helpful Tip:** To silence the alarms, press any key.

 **Helpful Tip:** Disabling the alarm is not required if you add salt before the selected number of postponement days.

Please refer to the "Customer Settings" on page 13 for instructions on adding salt.

## Understanding the Information Center

The Information Center provides current alarm information, water usage, and general information about your system. To access this information, please follow the directions listed below.

If the display is not lit, press any key to begin. When the display is lit, press the **Info. Center** key. To view the list of diagnostics, use the **Menu Forward** and **Menu Back** keys. To exit the Information Center at any time, press the **Enter** key.

The following items are displayed in the Information Center:

**Model Size:** Displays the customer's model information.

**System Status:** Displays the system's current status, including any alarm information.

**Regeneration Method:** Demand initiate is the only option.

**Salt Level:** Displays the current salt level.

**Salt Alarm:** Displays the "ON/OFF" condition and the time set to sound the salt alarm.

**Time of Regen:** Displays the hour set for regeneration.

**Avg. Water Use:** Displays the average water use of the system in gallons per day.

**Avg. Weekly Salt Used:** Displays the average weekly salt used in pounds.

**Current Flow Rate:** Displays the flow rate through the system when water is being used in gallons per minute.

**Current Water Used:** Displays the current gallon count since the last regeneration.

**Hardness:** Displays the programmed hardness in grains based on the water analysis.

**Iron:** Displays the programmed iron in parts per million based on the water analysis.

**Est. Next Regen =:** Displays the estimated number of days until the next regeneration.

**Vacation Mode:** Displays the "ON/OFF" condition.

**Conditioner Installed:** Displays the date of installation.

**Filter Installed (if applicable):** Displays the date of installation.


**Drinking Water Installed (if applicable):** Displays the date of installation.


**AirMaster Installed (if applicable):** Displays the date of installation.


**Web Address:** Displays the RainSoft web address.


**For Service Call:** Displays the service phone number.

To exit the Information Center, press the **Enter** key.

 **Important Note:** The Information Center is a display only mode and will not allow any changes to the settings or current service run data.

 **Important Note:** The average water use will be accurate 7 days after start up.

 **Important Note:** This is a live function and will count up as the gallons are used.

 **Important Note:** This estimate is based on water consumption. It may take 14 days after start up to provide an accurate estimate.

# Troubleshooting Guide

Symptom	Cause	Solution
1. The system fails to regenerate automatically	<ol style="list-style-type: none"> <li>The power supply is plugged into intermittent or dead power source.</li> <li>The system is not counting gallons.</li> </ol>	<ol style="list-style-type: none"> <li>Connect to a constant power source.</li> <li>Call your RainSoft Dealer for service.</li> </ol>
2. The system regenerates at the wrong time	<ol style="list-style-type: none"> <li>The computer is not set properly.</li> <li>The time is off due to daylight savings.</li> <li>The maximum system capacity has been exceeded.</li> </ol>	<ol style="list-style-type: none"> <li>Reset the time of day/hour of regeneration.</li> <li>Verify that auto daylight savings time is set to "ON".</li> <li>Limit water usage until the regeneration is complete.</li> </ol>
3. Poor water quality	<ol style="list-style-type: none"> <li>The raw water has changed.</li> <li>The bypass valve is open.</li> <li>The power supply is disconnected.</li> </ol>	<ol style="list-style-type: none"> <li>Call your RainSoft Dealer for a new water analysis.</li> <li>Close the bypass valve.</li> <li>Plug in the power supply.</li> </ol>
4. Loss of water pressure	<ol style="list-style-type: none"> <li>Low pressure to the unit.</li> </ol>	<ol style="list-style-type: none"> <li>Bypass the system. If the problem still exists after bypass, it is not related to a RainSoft product. (Check your water distribution system.) If the problem is resolved after bypass, call your RainSoft Dealer for service.</li> </ol>
5. Excessive water in the brine tank and/or salty water	<ol style="list-style-type: none"> <li>The drain line is plugged/restricted.</li> <li>The brine valve is dirty.</li> <li>Low inlet pressure.</li> <li>The injector is plugged.</li> </ol>	<ol style="list-style-type: none"> <li>Check the water flow to the drain. Check for crimps in the drain line. Call your RainSoft Dealer for service.</li> <li>Call your RainSoft Dealer for service.</li> <li>Call your RainSoft Dealer for assistance.</li> <li>Call your RainSoft Dealer for service.</li> </ol>
6. The system fails to use salt	<ol style="list-style-type: none"> <li>The drain line is plugged/restricted.</li> <li>The injector is plugged.</li> <li>Low inlet pressure.</li> <li>No water in the brine tank.</li> </ol>	<ol style="list-style-type: none"> <li>Check the water flow to the drain. Check for crimps in the drain line. Call your RainSoft Dealer for service.</li> <li>Call your RainSoft Dealer for service.</li> <li>Call your RainSoft Dealer to increase the inlet pressure. It must be a minimum of 20 psi.</li> <li>Call your RainSoft Dealer for service.</li> </ol>
7. Constant flow to the drain	<ol style="list-style-type: none"> <li>Foreign material in the valve.</li> <li>Excessive water pressure.</li> </ol>	<ol style="list-style-type: none"> <li>Call your RainSoft Dealer to clean the valve.</li> <li>Install a pressure regulator.</li> </ol>

If the troubleshooting guide did not resolve the symptom, please contact your local RainSoft Dealer for service. If you cannot locate your local RainSoft Dealer, please contact RainSoft Customer Service at 1-800-860-7638 or logon to [www.rainsoft.com](http://www.rainsoft.com) for the name and location of your nearest authorized Dealer.

# *Limited Lifetime Warranty*

*For as long as you own the equipment*

RainSoft Division of Aquion, Inc. believing its

## **WATER TREATMENT SYSTEM**

to be of exceptional quality, hereby warrants said equipment to its first purchaser at retail as follows:

*The treatment tank, valve, salt container, electrical components and resins Ion-X 2000 and Ion X-100 are warranted against defects in manufacture for the lifetime of the first purchaser at retail.*

This warranty begins at the time the equipment is first connected for use, and is contingent upon the return of a signed owner's registration card.

This warranty does not require replacement of the entire unit. If the equipment does not perform properly, you should request service from the dealer that sold you the equipment. If you are not satisfied, you should notify our Customer Service Manager. If we are not able to arrange local servicing, you should send the defective part(s) (or, if you prefer, send the entire unit,) directly to the manufacturer, freight prepaid, with proof of purchase and a copy of this warranty. The defective part(s) (or entire unit) will either be repaired or new RainSoft part(s) furnished, for a nominal charge to cover labor, handling, packing and the increase, if any, in the retail price of the part(s) since the date of purchase. Genuine RainSoft parts must be used. Failure to use genuine RainSoft parts will void the warranty and certifications.

This warranty does not include labor charges, and does not cover installation, transportation, or any other claims or torts. Some states do not allow the exclusion or limitation of incidental or consequential damages, so parts of the above limitation or exclusion may not apply to you.

This warranty gives you specific legal rights, and you may also have other rights which vary from state to state. You also have implied warranty rights. In the event of a problem with warranty service or performance, you may be able to go to a small claims court, a State court, or a Federal District Court.

This warranty is void if equipment is not installed and operated according to instructions. It does not apply to damage caused by abuse, accident, neglect, freezing, fire, or other abnormal conditions beyond the company's control. This warranty is void on any part from which the manufacturing date has been removed or made illegible.

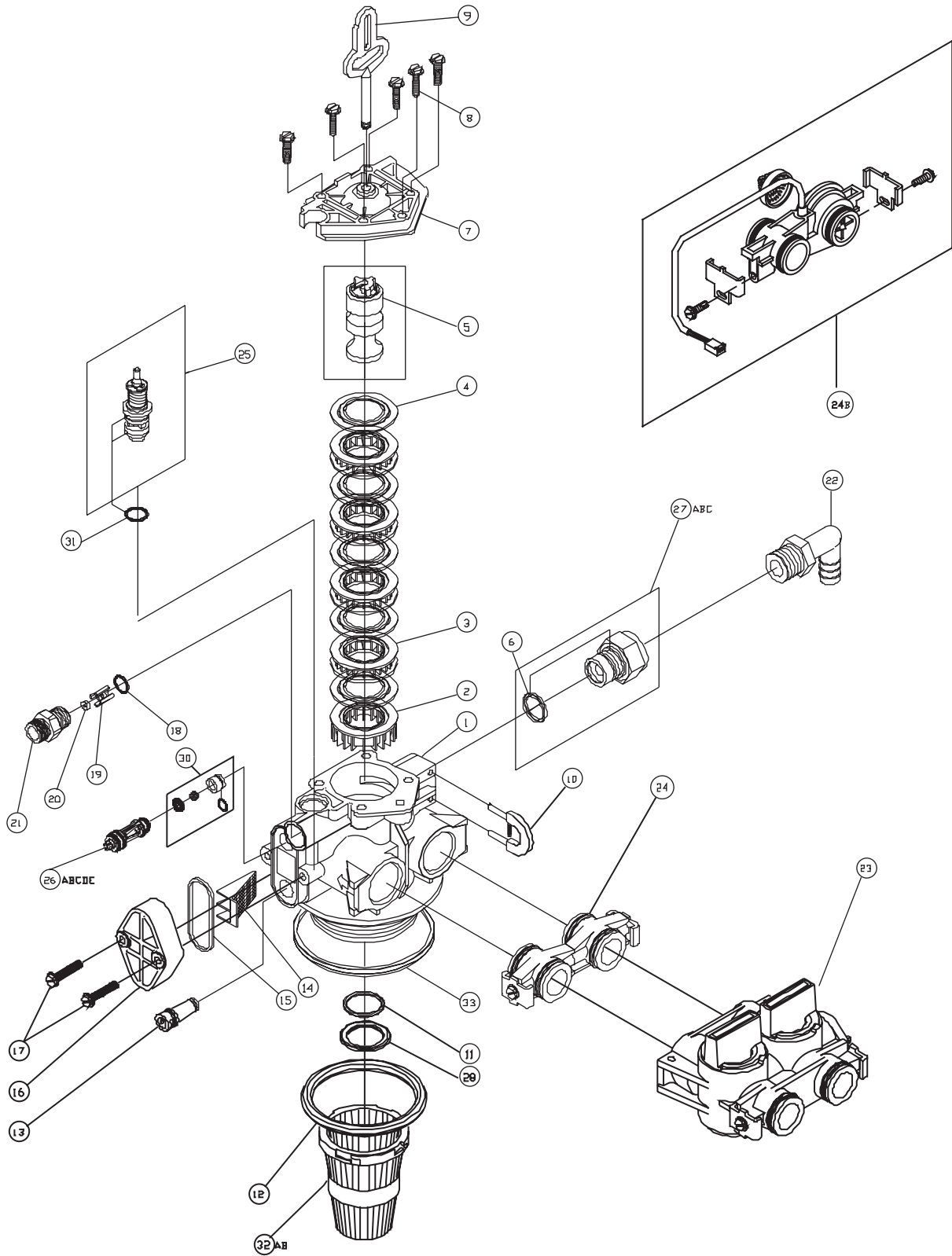
Benefits will be provided by various types of RainSoft equipment when installed and operated according to the manufacturer's recommendations. Operational, maintenance and replacement requirements are essential for the product to perform as advertised. All claims are based on the best available information at the time of printing. Manufacturer makes no representations as to the suitability of this equipment for a particular application. Buyer relies entirely on the dealer's recommendations in the purchase of this equipment.

Independent RainSoft dealers may include, together with your RainSoft product, a product or component that is not manufactured by RainSoft or their parent company, Aquion, Inc. Any non-RainSoft product may be covered by the manufacturer of that product, and is not covered by the RainSoft warranty. Aquion, Inc. does not warrant that your RainSoft product and the non-RainSoft product will perform properly when used together, and assumes no liability therefore.

RainSoft Division of Aquion, Inc.  
2080 East Lunt Avenue  
Elk Grove Village, Illinois 60007 USA

Valves and Equipment manufactured after May 1st, 2009

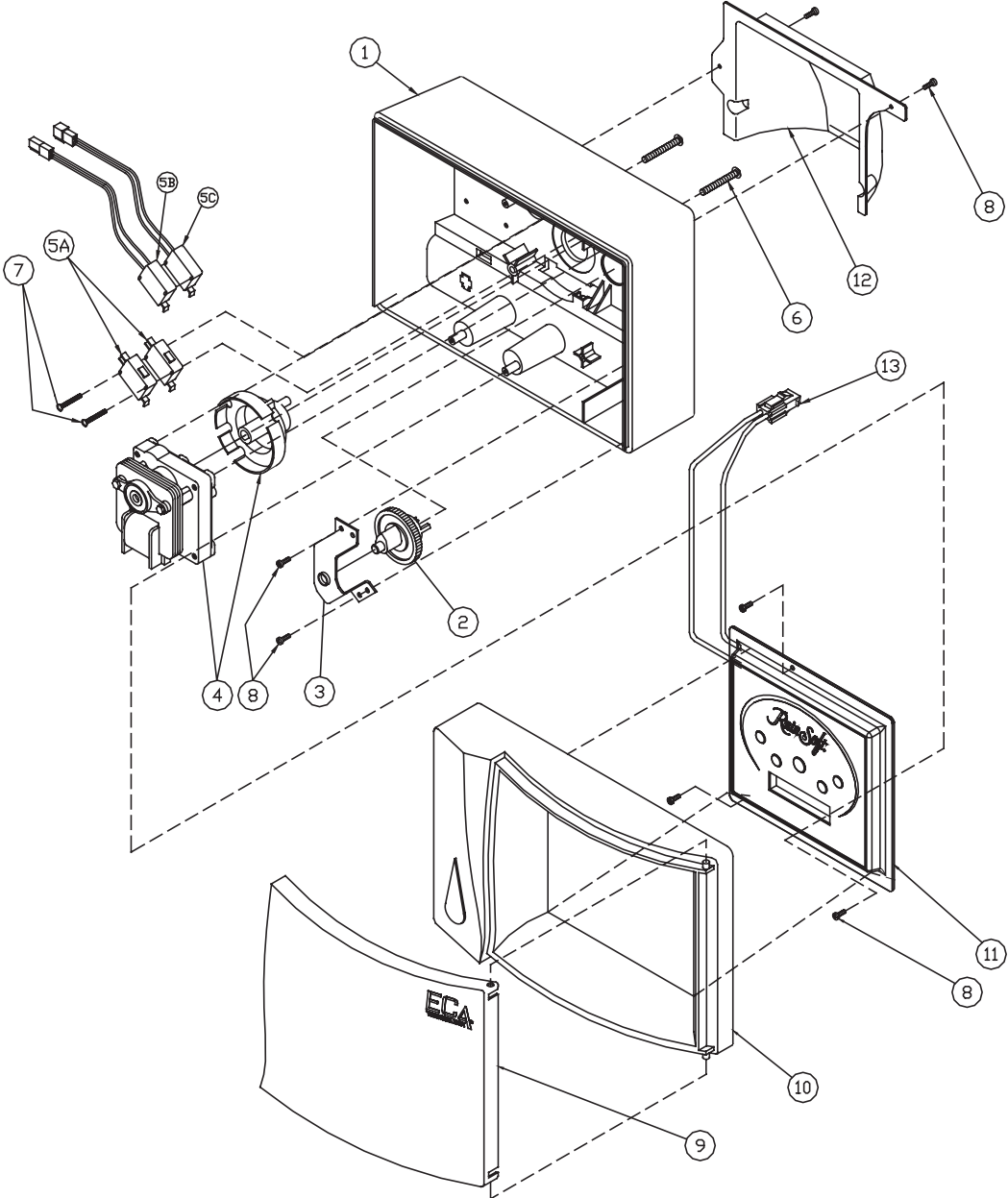
# Valve Exploded View



# Valve Parts List

Item	Quantity	Part Number	Description
1	1	17863	Composite valve body
2	1	17864	Spacer end
3	4	17865	Internal spacer
4	5	17866	Internal seal
5	1	18160	Retainer & down flow piston
6	1	10258	O-ring - 017
7	1	17869	End plug assembly
8	5	17870	10-24 x .812 screw hex washer head
9	1	17871	Piston rod
10	1	17887	Retainer drain
11	1	17888	O-ring - 121
12	1	17889	O-ring - 336
13	1	17617	Injector plug assembly
14	1	17948	Injector screen
15	1	17949	Injector seal
16	1	17950	Injector cap
17	2	17951	Screw hex washer head 10-24 x 1.0
18	1	17958	O-ring - 015
19	1	17953	Retainer blfc button
20	1	17954	Flow control washer 0.25 gpm
21	1	17957	Adapter blfc 0.25 gpm
22	1	17939	1/2 npt x 1/2 barb poly elbow
23	1	17557	Composite bypass valve
24A	1	17560	3/4" coupling adapter assembly
24B	1	17558	Turbine meter assembly with cable
25	1	17812	Refill shut-off assembly
26A	1	17893	#00 injector assembly
26B	1	17947	#0 injector assembly
26C	1	18194	#1 injector assembly
26D	1	19318	#2 injector assembly
26E	1	19393	#3 injector assembly
27A	1	17991	1.5 drain line flow control assembly
27B	1	17992	2.0 drain line flow control assembly
27C	1	17994	3.0 drain line flow control assembly
28	1	18445	Riser pipe retainer o-ring
29	1	19739	Check ball cage assembly
30	2	13329	O-ring - 014
31A	1	17941	Diffuser upper basket 1 x .008 red
31B	1	18985	Diffuser upper basket 1 x .02 white
32	1	19328	Tank retainer seal

# Control Exploded View



## Control Parts List

Item	Quantity	Part Number	Description
1	1	17487	Rear housing
2	1	17501	Brine cam gear
3	1	17492	Brine cam gear bracket
4	1	17537	Valve motor w/computer cam 24v 50/60 hz
5A	2	17526	Switch 45 deg actuator gold contact
5B	1	19536	Sealed switch C-NC male connector red
5C	1	19537	Sealed switch C-NO female connector brown
6	2	17548	10-32 x 1.50 screw pan h phil ss
7	2	18135	4-20 x 1.25 screw slotted hex washer type 25
8	7	17542	4-20 x 0.375 screw pan h phil ss
9	1	19713	Front door housing EC4
10	1	17854	Front housing
11	1	19749	EC4 computer outdoor assembly
12	1	17490	Rear housing cover
13	1	19732	EC4 computer wire harness OD

## EC4 75 CV

### DEMAND INITIATED TREATMENT SYSTEM

- SERVICE FLOW RATE = 9.3 GPM (35.2 LPM)
- DRAIN FLOW RATE: 1.5 GPM (5.7 LPM)
- PSI DROP @ FLOW RATE: 15.0 psi (1.1 kgf/cm<sup>2</sup>)
- OPERATING PSI OF SUPPLY: 20 psi - 120 psi (1.47 - 8.45 kgf/cm<sup>2</sup>)
- OPERATING TEMPERATURE: 40° F - 100° F (4.4° C - 38° C)
- ELECTRICAL: 24 VAC, 50/60 Hz (COMPUTER)
- SALT PER REGENERATION: VARIABLE
- EFFICIENCY: 4,470 GRAINS/LBS. SALT @ 3.0 LBS. DOSAGE

#### CAPACITY AND SALT SETTINGS

CAPACITY	SALT
13,400 GRAINS	@ 3.0 LBS. OF SALT
24,000 GRAINS	@ 7.5 LBS. OF SALT
28,100 GRAINS	@ 11.2 LBS. OF SALT

#### LIST OF CONTAMINANTS REDUCED

CONTAMINANT	USEPA MCL
BARIUM*	2 PPM
RADIUM 226/228*	5 PCI/L

NSF/ANSI STANDARD 44 TEST CONDITIONS: 35 ± 5 psi, 65 ± 10°F, pH 7.5 ± 0.5 at service flow rate

\*HARDNESS WAS USED AS A SURROGATE FOR BARIUM AND RADIUM REDUCTION CLAIMS PER NSF/ANSI STANDARD 44.

#### SOFTENING PERFORMANCE TEST

CHALLENGE	AVERAGE INFLUENT LEVEL	AVERAGE EFFLUENT LEVEL
HARDNESS	335 PPM	8 PPM

NSF/ANSI STANDARD 44 TEST CONDITIONS: 35 ± 5 psi, 65 ± 10°F, pH 7.5 ± 0.5 at service flow rate

#### ADDITIONAL NOTES

- THE LIST OF SUBSTANCES WHICH THIS TREATMENT DEVICE REDUCES DOES NOT NECESSARILY MEAN THAT THESE SUBSTANCES ARE PRESENT IN YOUR WATER SUPPLY.
- ACTUAL RESULTS MAY VARY DUE TO LOCAL WATER CONDITIONS.
- AN EFFICIENCY RATED WATER SOFTENER IS A DEMAND INITIATED REGENERATION SOFTENER, WHICH ALSO COMPLIES WITH SPECIFIC PERFORMANCE SPECIFICATIONS INTENDED TO MINIMIZE THE AMOUNT OF REGENERATE BRINE AND WATER USED IN ITS OPERATION AND WILL ACHIEVE A RATING OF NOT LESS THAN 3,350 GRAINS OF TOTAL HARDNESS EXCHANGE PER POUND OF SODIUM CHLORIDE SALT AND SHALL NOT DELIVER MORE SALT THAN ITS LISTED RATING. THE EFFICIENCY IS MEASURED BY A LABORATORY TEST DESCRIBED IN NSF/ANSI 44. THE TEST REPRESENTS THE MAXIMUM POSSIBLE EFFICIENCY THAT THE SYSTEM CAN ACHIEVE. OPERATIONAL EFFICIENCY IS THE ACTUAL EFFICIENCY ACHIEVED AFTER THE SYSTEM HAS BEEN INSTALLED AND IS TYPICALLY LESS THAN THE TESTED EFFICIENCY DUE TO INDIVIDUAL APPLICATION FACTORS INCLUDING WATER HARDNESS, WATER USAGE, AND OTHER CONTAMINANTS THAT REDUCE THE SOFTENERS CAPACITY.
- A WATER SOFTENER IS NOT INTENDED TO BE USED FOR TREATING WATER THAT IS MICROBIOLOGICALLY UNSAFE OR OF UNKNOWN QUALITY WITHOUT ADEQUATE DISINFECTION BEFORE AND AFTER THE SYSTEM.
- EFFICIENCY OF THE CONDITIONER IS VALID ONLY AT THE STATED SALT DOSAGE.

THE SYSTEM SHOULD BE INSTALLED IN AN AREA NOT AFFECTED BY EXTREME HEAT, COLD, OR THE ELEMENTS.

THIS SYSTEM MUST BE INSTALLED IN ACCORDANCE WITH ALL APPLICABLE STATE AND LOCAL LAWS AND REGULATIONS.

DO NOT INSTALL SYSTEM WHERE WATER IS MICROBIOLOGICALLY UNSAFE OR OF UNKNOWN QUALITY WITHOUT ADEQUATE DISINFECTION BEFORE OR AFTER THE SYSTEM.

THE SYSTEM CONTAINS AN ION-EXCHANGE MEDIA FOR REMOVING LISTED CONTAMINANTS AND MUST BE REGENERATED PERIODICALLY. PLEASE REFER TO THE OWNERS MANUAL TO DETERMINE THE FREQUENCY OF REGENERATIONS.

PLAIN, WHITE BLOCK SALT IS RECOMMENDED FOR THIS SYSTEM. IF BLOCK SALT IS NOT AVAILABLE, A CLEAN, COARSE OR EXTRA COARSE ROCK OR SOLAR SALT MAY BE USED. DO NOT USE GRANULATED SALT. CONSULT YOUR RAINSOFT DEALER FOR POTASSIUM CHLORIDE USE.

YOUR LOCAL DEALER IS AVAILABLE FOR SERVICE AND WARRANTY PART REPLACEMENTS.

STATE OF CALIFORNIA DEPARTMENT OF PUBLIC HEALTH CERTIFICATE NUMBER 06-1803



TESTED AND CERTIFIED BY THE WQA TO NSF/ANSI STANDARD 44 FOR THE SPECIFIC PERFORMANCE CLAIMS AS VERIFIED AND SUBSTANTIATED BY TEST DATA

SEE THE OWNERS MANUAL FOR GENERAL OPERATION AND MAINTENANCE REQUIREMENTS.

SEE WARRANTY CARD FOR SPECIFIC WARRANTY INFORMATION.

#### IMPORTANT NOTICE

READ THIS PERFORMANCE DATA SHEET AND COMPARE THE CAPABILITIES OF THIS UNIT WITH YOUR ACTUAL WATER TREATMENT NEEDS. IT IS RECOMMENDED THAT BEFORE PURCHASING A WATER TREATMENT UNIT, YOU HAVE YOUR WATER SUPPLY TESTED TO DETERMINE YOUR ACTUAL WATER TREATMENT NEEDS.





DEMAND INITIATED

WATER TREATMENT SYSTEM

CALIFORNIA PERFORMANCE DATA SHEET

Page 2 of 2

State of California  
Department of Public Health  
Water Treatment Device  
Certificate Number

06- 1803

Date Issued: July 28, 2011

**Trademark/Model Designation**

RainSoft EC4 75 CV

**Replacement Elements**

N/A

**Manufacturer:** RainSoft, A Division of Aquion, Inc.

The water treatment device(s) listed on this certificate have met the testing requirements pursuant to Section 116830 of the Health and Safety Code for the following health related contaminants:

**Microbiological Contaminants and Turbidity**

None

**Inorganic/Radiological Contaminants**

Barium  
Radium 226/228

**Organic Contaminants**

None

**Rated Service Capacity:** N/A

**Rated Service Flow:** 9.2 gpm

**Conditions of Certification:**

Do not use with water that is microbiologically unsafe or of unknown quality, without adequate disinfection before or after the system.

## EC4 100 CV

### DEMAND INITIATED TREATMENT SYSTEM

- SERVICE FLOW RATE = 10.0 GPM (37.8 LPM)
- DRAIN FLOW RATE: 2.0 GPM (7.6 LPM)
- PSI DROP @ FLOW RATE: 12.0 psi (0.9 kgf/cm<sup>2</sup>)
- OPERATING PSI OF SUPPLY: 20 psi - 120 psi (1.47 - 8.45 kgf/cm<sup>2</sup>)
- OPERATING TEMPERATURE: 40° F - 100° F (4.4° C - 38° C)
- ELECTRICAL: 24 VAC, 50/60 Hz (COMPUTER)
- SALT PER REGENERATION: VARIABLE
- EFFICIENCY: 4,970 GRAINS/LBS. SALT @ 3.0 LBS. DOSAGE

CAPACITY	SALT
14,900 GRAINS	@ 3.0 LBS. OF SALT
32,300 GRAINS	@ 10.0 LBS. OF SALT
37,700 GRAINS	@ 15.0 LBS. OF SALT

#### LIST OF CONTAMINANTS REDUCED

CONTAMINANT	USEPA MCL
BARIUM*	2 PPM
RADIUM 226/228*	5 PCI/L

NSF/ANSI STANDARD 44 TEST CONDITIONS: 35 ± 5 psi, 65 ± 10°F, pH 7.5 ± 0.5 at service flow rate

\*HARDNESS WAS USED AS A SURROGATE FOR BARIUM AND RADIUM REDUCTION CLAIMS PER NSF/ANSI STANDARD 44.

#### SOFTENING PERFORMANCE TEST

CHALLENGE	AVERAGE INFLUENT LEVEL	AVERAGE EFFLUENT LEVEL
HARDNESS	335 PPM	8 PPM

NSF/ANSI STANDARD 44 TEST CONDITIONS: 35 ± 5 psi, 65 ± 10°F, pH 7.5 ± 0.5 at service flow rate

#### ADDITIONAL NOTES

- THE LIST OF SUBSTANCES WHICH THIS TREATMENT DEVICE REDUCES DOES NOT NECESSARILY MEAN THAT THESE SUBSTANCES ARE PRESENT IN YOUR WATER SUPPLY.
- ACTUAL RESULTS MAY VARY DUE TO LOCAL WATER CONDITIONS.
- AN EFFICIENCY RATED WATER SOFTENER IS A DEMAND INITIATED REGENERATION SOFTENER, WHICH ALSO COMPLIES WITH SPECIFIC PERFORMANCE SPECIFICATIONS INTENDED TO MINIMIZE THE AMOUNT OF REGENERATE BRINE AND WATER USED IN ITS OPERATION AND WILL ACHIEVE A RATING OF NOT LESS THAN 3,350 GRAINS OF TOTAL HARDNESS EXCHANGE PER POUND OF SODIUM CHLORIDE SALT AND SHALL NOT DELIVER MORE SALT THAN ITS LISTED RATING. THE EFFICIENCY IS MEASURED BY A LABORATORY TEST DESCRIBED IN NSF/ANSI 44. THE TEST REPRESENTS THE MAXIMUM POSSIBLE EFFICIENCY THAT THE SYSTEM CAN ACHIEVE. OPERATIONAL EFFICIENCY IS THE ACTUAL EFFICIENCY ACHIEVED AFTER THE SYSTEM HAS BEEN INSTALLED AND IS TYPICALLY LESS THAN THE TESTED EFFICIENCY DUE TO INDIVIDUAL APPLICATION FACTORS INCLUDING WATER HARDNESS, WATER USAGE, AND OTHER CONTAMINANTS THAT REDUCE THE SOFTENERS CAPACITY.
- A WATER SOFTENER IS NOT INTENDED TO BE USED FOR TREATING WATER THAT IS MICROBIOLOGICALLY UNSAFE OR OF UNKNOWN QUALITY WITHOUT ADEQUATE DISINFECTION BEFORE AND AFTER THE SYSTEM.
- EFFICIENCY OF THE CONDITIONER IS VALID ONLY AT THE STATED SALT DOSAGE.

#### IMPORTANT NOTICE

READ THIS PERFORMANCE DATA SHEET AND COMPARE THE CAPABILITIES OF THIS UNIT WITH YOUR ACTUAL WATER TREATMENT NEEDS. IT IS RECOMMENDED THAT BEFORE PURCHASING A WATER TREATMENT UNIT, YOU HAVE YOUR WATER SUPPLY TESTED TO DETERMINE YOUR ACTUAL WATER TREATMENT NEEDS.

THE SYSTEM SHOULD BE INSTALLED IN AN AREA NOT AFFECTED BY EXTREME HEAT, COLD, OR THE ELEMENTS.

THIS SYSTEM MUST BE INSTALLED IN ACCORDANCE WITH ALL APPLICABLE STATE AND LOCAL LAWS AND REGULATIONS.

DO NOT INSTALL SYSTEM WHERE WATER IS MICROBIOLOGICALLY UNSAFE OR OF UNKNOWN QUALITY WITHOUT ADEQUATE DISINFECTION BEFORE OR AFTER THE SYSTEM.

THE SYSTEM CONTAINS AN ION-EXCHANGE MEDIA FOR REMOVING LISTED CONTAMINANTS AND MUST BE REGENERATED PERIODICALLY. PLEASE REFER TO THE OWNERS MANUAL TO DETERMINE THE FREQUENCY OF REGENERATIONS.

PLAIN, WHITE BLOCK SALT IS RECOMMENDED FOR THIS SYSTEM. IF BLOCK SALT IS NOT AVAILABLE, A CLEAN, COARSE OR EXTRA COARSE ROCK OR SOLAR SALT MAY BE USED. DO NOT USE GRANULATED SALT. CONSULT YOUR RAINSOFT DEALER FOR POTASSIUM CHLORIDE USE.

YOUR LOCAL DEALER IS AVAILABLE FOR SERVICE AND WARRANTY PART REPLACEMENTS.

STATE OF CALIFORNIA DEPARTMENT OF PUBLIC HEALTH CERTIFICATE NUMBER 06-1802



TESTED AND CERTIFIED BY THE WQA TO NSF/ANSI STANDARD 44 FOR THE SPECIFIC PERFORMANCE CLAIMS AS VERIFIED AND SUBSTANTIATED BY TEST DATA

SEE THE OWNERS MANUAL FOR GENERAL OPERATION AND MAINTENANCE REQUIREMENTS.

SEE WARRANTY CARD FOR SPECIFIC WARRANTY INFORMATION.

State of California  
Department of Public Health  
Water Treatment Device  
Certificate Number  
06- 1802  
Date Issued: July 28, 2011

**Trademark/Model Designation**

RainSoft EC4 100 CV

**Replacement Elements**

N/A

**Manufacturer:** RainSoft, A Division of Aquion, Inc.

The water treatment device(s) listed on this certificate have met the testing requirements pursuant to Section 116830 of the Health and Safety Code for the following health related contaminants:

**Microbiological Contaminants and Turbidity**

None

**Inorganic/Radiological Contaminants**

Barium

Radium 226/228

**Organic Contaminants**

None

**Rated Service Capacity:** N/A

**Rated Service Flow:** 10.0 gpm

**Conditions of Certification:**

Do not use with water that is microbiologically unsafe or of unknown quality, without adequate disinfection before or after the system.

## EC4 150 CV

### DEMAND INITIATED TREATMENT SYSTEM

- SERVICE FLOW RATE = 10.4 GPM (39.4 LPM)
- DRAIN FLOW RATE: 2.0 GPM (7.6 LPM)
- PSI DROP @ FLOW RATE: 15.0 psi (1.1 kgf/cm<sup>2</sup>)
- OPERATING PSI OF SUPPLY: 20 psi - 120 psi (1.47 - 8.45 kgf/cm<sup>2</sup>)
- OPERATING TEMPERATURE: 40° F - 100° F (4.4° C - 38° C)
- ELECTRICAL: 24 VAC, 50/60 Hz (COMPUTER)
- SALT PER REGENERATION: VARIABLE
- EFFICIENCY: 4,970 GRAINS/LBS. SALT @ 4.5 LBS. DOSAGE

**CAPACITY AND SALT SETTINGS**

CAPACITY	SALT
22,400 GRAINS	@ 4.5 LBS. OF SALT
48,500 GRAINS	@ 15.0 LBS. OF SALT
56,600 GRAINS	@ 22.5 LBS. OF SALT

**LIST OF CONTAMINANTS REDUCED**

CONTAMINANT	USEPA MCL
BARIUM*	2 PPM
RADIUM 226/228*	5 PCI/L

NSF/ANSI STANDARD 44 TEST CONDITIONS: 35 ± 5 psi, 65 ± 10°F, pH 7.5 ± 0.5 at service flow rate

\*HARDNESS WAS USED AS A SURROGATE FOR BARIUM AND RADIUM REDUCTION CLAIMS PER NSF/ANSI STANDARD 44.

**SOFTENING PERFORMANCE TEST**

CHALLENGE	AVERAGE INFLUENT LEVEL	AVERAGE EFFLUENT LEVEL
HARDNESS	335 PPM	8 PPM

NSF/ANSI STANDARD 44 TEST CONDITIONS: 35 ± 5 psi, 65 ± 10°F, pH 7.5 ± 0.5 at service flow rate

**ADDITIONAL NOTES**

- THE LIST OF SUBSTANCES WHICH THIS TREATMENT DEVICE REDUCES DOES NOT NECESSARILY MEAN THAT THESE SUBSTANCES ARE PRESENT IN YOUR WATER SUPPLY.
- ACTUAL RESULTS MAY VARY DUE TO LOCAL WATER CONDITIONS.
- AN EFFICIENCY RATED WATER SOFTENER IS A DEMAND INITIATED REGENERATION SOFTENER, WHICH ALSO COMPLIES WITH SPECIFIC PERFORMANCE SPECIFICATIONS INTENDED TO MINIMIZE THE AMOUNT OF REGENERATE BRINE AND WATER USED IN ITS OPERATION AND WILL ACHIEVE A RATING OF NOT LESS THAN 3,350 GRAINS OF TOTAL HARDNESS EXCHANGE PER POUND OF SODIUM CHLORIDE SALT AND SHALL NOT DELIVER MORE SALT THAN ITS LISTED RATING. THE EFFICIENCY IS MEASURED BY A LABORATORY TEST DESCRIBED IN NSF/ANSI 44. THE TEST REPRESENTS THE MAXIMUM POSSIBLE EFFICIENCY THAT THE SYSTEM CAN ACHIEVE. OPERATIONAL EFFICIENCY IS THE ACTUAL EFFICIENCY ACHIEVED AFTER THE SYSTEM HAS BEEN INSTALLED AND IS TYPICALLY LESS THAN THE TESTED EFFICIENCY DUE TO INDIVIDUAL APPLICATION FACTORS INCLUDING WATER HARDNESS, WATER USAGE, AND OTHER CONTAMINANTS THAT REDUCE THE SOFTENERS CAPACITY.
- A WATER SOFTENER IS NOT INTENDED TO BE USED FOR TREATING WATER THAT IS MICROBIOLOGICALLY UNSAFE OR OF UNKNOWN QUALITY WITHOUT ADEQUATE DISINFECTION BEFORE AND AFTER THE SYSTEM.
- EFFICIENCY OF THE CONDITIONER IS VALID ONLY AT THE STATED SALT DOSAGE.

THE SYSTEM SHOULD BE INSTALLED IN AN AREA NOT AFFECTED BY EXTREME HEAT, COLD, OR THE ELEMENTS.

THIS SYSTEM MUST BE INSTALLED IN ACCORDANCE WITH ALL APPLICABLE STATE AND LOCAL LAWS AND REGULATIONS.

DO NOT INSTALL SYSTEM WHERE WATER IS MICROBIOLOGICALLY UNSAFE OR OF UNKNOWN QUALITY WITHOUT ADEQUATE DISINFECTION BEFORE OR AFTER THE SYSTEM.

THE SYSTEM CONTAINS AN ION-EXCHANGE MEDIA FOR REMOVING LISTED CONTAMINANTS AND MUST BE REGENERATED PERIODICALLY. PLEASE REFER TO THE OWNERS MANUAL TO DETERMINE THE FREQUENCY OF REGENERATIONS.

PLAIN, WHITE BLOCK SALT IS RECOMMENDED FOR THIS SYSTEM. IF BLOCK SALT IS NOT AVAILABLE, A CLEAN, COARSE OR EXTRA COARSE ROCK OR SOLAR SALT MAY BE USED. DO NOT USE GRANULATED SALT. CONSULT YOUR RAINSOFT DEALER FOR POTASSIUM CHLORIDE USE.

YOUR LOCAL DEALER IS AVAILABLE FOR SERVICE AND WARRANTY PART REPLACEMENTS.

STATE OF CALIFORNIA DEPARTMENT OF PUBLIC HEALTH CERTIFICATE NUMBER 06-1801



TESTED AND CERTIFIED BY THE WQA TO NSF/ANSI STANDARD 44 FOR THE SPECIFIC PERFORMANCE CLAIMS AS VERIFIED AND SUBSTANTIATED BY TEST DATA

SEE THE OWNERS MANUAL FOR GENERAL OPERATION AND MAINTENANCE REQUIREMENTS.

SEE WARRANTY CARD FOR SPECIFIC WARRANTY INFORMATION.

**IMPORTANT NOTICE**

READ THIS PERFORMANCE DATA SHEET AND COMPARE THE CAPABILITIES OF THIS UNIT WITH YOUR ACTUAL WATER TREATMENT NEEDS. IT IS RECOMMENDED THAT BEFORE PURCHASING A WATER TREATMENT UNIT, YOU HAVE YOUR WATER SUPPLY TESTED TO DETERMINE YOUR ACTUAL WATER TREATMENT NEEDS.





State of California  
Department of Public Health  
Water Treatment Device  
Certificate Number  
06-1801  
Date Issued: July 28, 2011

<b><u>Trademark/Model Designation</u></b> RainSoft EC4 150 CV	<b><u>Replacement Elements</u></b> N/A
<b>Manufacturer:</b> RainSoft, A Division of Aquion, Inc.	

The water treatment device(s) listed on this certificate have met the testing requirements pursuant to Section 116830 of the Health and Safety Code for the following health related contaminants:

**Microbiological Contaminants and Turbidity**

None

**Inorganic/Radiological Contaminants**

Barium  
Radium 226/228

**Organic Contaminants**

None

<b>Rated Service Capacity:</b> N/A	<b>Rated Service Flow:</b> 10.4 gpm
------------------------------------	-------------------------------------

**Conditions of Certification:**

Do not use with water that is microbiologically unsafe or of unknown quality, without adequate disinfection before or after the system.



RainSoft Division of Aquion, Inc.  
2080 East Lunt Avenue  
Elk Grove Village, Illinois 60007  
Main Switchboard: 1.847.437.9400  
Customer Service: 1.800.860.7638  
[www.rainsoft.com](http://www.rainsoft.com)

©2013 RAINSOFT, A DIVISION OF AQUION, INC.

Rainsoft División de Aquion, Inc  
2080 Avenida Este Lunt  
Elk Grove Village, Illinois, 60007  
1.847.437.9400 or 1.800.860.7638  
www.rainsoft.com

# RainSoft®

*Tomando la preocupación fuera del agua ...Desde 1953*

## **SERIE EC4 SISTEMA DE TRATAMIENTO DE AGUA**

# MANUAL DE PROPIETARIO



Este producto se fabrica en una planta con certificado ISO 9001:2008.



La serie EC4 está probada y certificada por la WQA para NSF/ ANSI44 para los reclamos por funcionamiento específico como está comprobado y probado por la información de prueba. Ver la hoja de información de funcionamiento para reclamos específicos de reducción.

# Indice de Materias

Información del Sistema de Tratamiento de Agua.....	33
Aplicación de Restricciones .....	33
Especificaciones de Operación .....	34-36
Requisitos de la Sal .....	37
Limpiadores de Resina.....	37
Requisitos de Mantenimiento.....	37
Información de la Certificación del Producto .....	37
Instrucciones para la Instalación .....	38-41
Sistema de Puesta en Marcha.....	42
Una Visión general del proceso de regeneración.....	43-44
Configuraciones del Cliente.....	45-46
Como Iniciar una Configuración Manual.....	47
Sistema de Alarmas .....	47
Entendiendo el Centro de Información .....	47
Solución de Problemas .....	48
Información de la Garantía.....	49
Vista Detalla y Lista de Partes.....	50-53
Hoja de Datos de Funcionamiento de California .....	54-59



• **Felicitaciones** por su compra del Sistema de Tratamiento de Agua RainSoft.

Este Manual del Usuario está diseñado para ayudarlo con el funcionamiento, mantenimiento e instalación de su Sistema de Tratamiento de Agua. Deseamos sinceramente que este manual sea claro, conciso y útil para Ud. como nuevo usuario.

**Preguntas?** Si tiene alguna pregunta referente a la instalación, funcionamiento o servicio de este Sistema contáctese con su distribuidor local de RainSoft el cual conoce de las condiciones particulares de su agua y es competente para dirigir sus preocupaciones inmediata y eficientemente.

## Información del Sistema de Tratamiento de Agua

Hay muchas ideas erróneas que se han desarrollado acerca de sistemas de tratamiento de agua. El tema mas común de confusión es la cantidad de sodio (Na), no sal de mesa (NaCl) que se añade al agua desde el acondicionador de agua. En realidad, el intercambio de ion reemplaza los iones de dureza en su agua con iones de sodio pero la idea más común es la cantidad utilizada.

Por cada 1 grano de dureza el proceso de intercambio distribuirá aproximadamente 8 miligramos de Sodio por 1 litro de agua. La cantidad de sodio en un vaso común de 8 onzas de agua tratada que antes del tratamiento tenía 10 unidades de dureza será aproximadamente de 19 miligramos de sodio. Esta es una cantidad insignificante de sodio si consideramos que una rebanada de pan blanco contiene 140 miligramos.


Otra idea errónea común necesaria de mencionar es la cantidad de sal que se usa en el acondicionador para regenerar el sistema. En el pasado los acondicionadores de agua usaban más sal para regenerar debido a la tecnología y normas antiguas. Los acondicionadores de agua usan sal para la regeneración pero la cantidad varia de acuerdo al consumo de agua y nivel de dureza. Afortunadamente la tecnología actual nos permite distribuir la cantidad precisa sal para lograr la máxima eficacia basada en su necesidad particular de consumo de agua.


## Aplicación de Restricciones


- En niveles de dureza de 60 granos o más el sistema podrá no alcanzar una dureza de menos de 1 grano debido al alto total de sólidos disueltos. Algún flujo podría ser causado por altos niveles de sodio mayores de 1000 partes por millón. En tales casos su sistema puede ser programado para minimizar esos efectos. Ver su distribuidor de RainSoft para detalles.

- Cloro o Cloramina en agua tratada por municipios debería no exceder de 4 partes por millón.\* Cuando los niveles de Cloro o Cloramina son de 4 partes por millón\* o más puede causar efectos desfavorables en su Sistema. En aplicaciones donde los altos niveles son una preocupación es necesaria una pre-filtración para reducir el cloro o cloramina a un nivel aceptable. Ver su distribuidor de RainSoft para detalles.

- Cuando el sistema es instalado en agua con Hierro Ferroso también

 **Informacion util: Otro error común referente al Sistema de Tratamiento de Agua es que el agua suave haría cubos de hielo claros. Cubos de hielo nubosos o blancos son causados por el aire que lentamente se libera del agua durante el proceso de congelación que no tiene nada que hacer con el rendimiento de su sistema**

 **Nota Importante: Este sistema puede pararse en agua de pozo o suministro de agua tratada por municipio.**

 **Nota Importante: La mayoría de suministros de agua tratada por Municipios contienen Cloro como desinfectante. Muchos tambien inyectan amoniaco en el suministro de agua creando Cloramina.**

\* **Maximo nivel de Cloro o Cloramina recomendado por la EPA.**

 **Nota Importante: Resina obstruida por hierro no es elegible para la garantía de reemplazo.**

conocida como agua clara de hierro, el máximo rango de separación se basa en la condición local del agua. El rango es generalmente 2 a 10 partes por millón. Su equipo podría requerir una programación especial así como un aditivo al tanque de salmuera para maximizar la capacidad del equipo en remover el hierro. Ver su distribuidor RainSoft para detalles.

## Especificaciones de Operación

**Tubería:** 3/4 pulgada por 1 1/4 pulgada I.D.

**Línea de desague:** 1/2 pulgada I.D.

**Presión de agua:** 20 psi–120 psi (1.38 bar – 6.89 bar)

### Temperaturas de funcionamiento:

40° F–100° F (4.4° C – 37.8° C)

**Requisitos eléctricos:** Se requiere un apropiado suministro de corriente alterna de tierra (110 VAC 60 Hz or 230 VAC 50 Hz) para la operación de este sistema. Favor revisar el transformador para el correcto voltaje requerido.

! **Nota Importante: Este sistema requiere el uso del transformador proveído (24 VAC).**

**Válvula de desvío:** La válvula de desvío permite desviar el sistema en situaciones de: goteo de emergencia en el equipo, llamadas de emergencia.

! **Nota Importante: la válvula de desvío operada manualmente permite al acondicionador quedar aislado de la línea de servicio de agua por mantenimiento y reparación y permite que el servicio de agua siga cuando el acondicionador está desconectado.**

**Condición de la tubería existente:** Las tuberías deben de estar libres de depósitos de óxido. Tuberías que contengan largas cantidades de óxido o hierro deben ser reemplazadas

### Especificaciones Adicionales

- No instalar el sistema donde el agua es microbiológicamente insegura o de calidad desconocida sin adecuada desinfección antes o después del sistema.
- El sistema debe ser instalado en concordancia con todas las leyes y regulaciones locales y estatales.
- El código 248 CMR de la Mancomunidad de Plomería de Massachusetts será cumplido. Un plomero certificado hará la instalación.
- Este sistema será instalado en un área no afectada por calor extremo, frío u otros elementos. El área elegida para la instalación debe ser adecuada para un fácil servicio y accesibilidad.
- Este sistema está diseñado para tratar solamente agua fría. La instalación debe estar en una fuente de agua fría.

## Cuadro de Datos para Resina ION-X 2000 V

Modelo	Tamaño del Tanque (pulgadas)	Resinas de Intercambio Catiónico (cu. ft.)	Velocidad Maximo de Flujo (gpm)	Drain Flow (gpm)	Caída de Presión (PSI)	High Salting	Medium Salting	Low Salting	Eficiencia*
EC4 50 V	8 x 44	0.5	10	1.5	14.0	18,700@ 7.5 lbs.	15,500 @ 5.0 lbs.	8,900 @ 2.0 lbs.	4,476 @ 2.0 lbs.
EC4 50 CV	8 x 44	0.5	10	1.5	13.0	18,700@ 7.5 lbs.	15,500 @ 5.0 lbs.	8,900 @ 2.0 lbs.	4,476 @ 2.0 lbs.
EC4 60SS V	10 x 18	0.6	9.5	2.0	9.0	22,400@ 9.0 lbs.	18,600 @ 6.0 lbs.	10,700 @ 2.4 lbs.	4,476 @ 2.4 lbs.
EC4 60SS CV	10 x 18	0.6	9.5	2.0	8.0	22,400@ 9.0 lbs.	18,600 @ 6.0 lbs.	10,700 @ 2.4 lbs.	4,476 @ 2.4 lbs.
EC4 60S V	10 x 35	0.6	9.5	2.0	9.0	22,400@ 9.0 lbs.	18,600 @ 6.0 lbs.	10,700 @ 2.4 lbs.	4,476 @ 2.4 lbs.
EC4 60S CV	10 x 35	0.6	9.5	2.0	8.0	22,400@ 9.0 lbs.	18,600 @ 6.0 lbs.	10,700 @ 2.4 lbs.	4,476 @ 2.4 lbs.
EC4 75 V	8 x 44	0.75	8.6	1.5	15.0	28,100 @ 11.2 lbs.	23,200 @ 7.5 lbs.	13,400 @ 3.0 lbs.	4,476 @ 3.0 lbs.
EC4 75 CV†	8 x 44	0.75	9.2	1.5	15.0	28,100 @ 11.2 lbs.	23,200 @ 7.5 lbs.	13,400 @ 3.0 lbs.	4,476 @ 3.0 lbs.
**EC4 75 VA+ Stainless Steel	8 x 44	0.75	9.2	1.5	15.0	28,100 @ 11.2 lbs.	23,200 @ 7.5 lbs.	13,400 @ 3.0 lbs.	4,476 @ 3.0 lbs.
EC4 100 V	10 x 44	1.0	10.0	2.0	10.0	34,500 @ 15.0 lbs.	30,500 @ 10.0 lbs.	14,200 @ 3.0 lbs.	4,750 @ 3.0 lbs.
EC4 100 CV†	10 x 44	1.0	10.0	2.0	11.0	34,500 @ 15.0 lbs.	30,500 @ 10.0 lbs.	14,200 @ 3.0 lbs.	4,750 @ 3.0 lbs.
EC4 100S V	10 x 35	1.0	10.0	2.0	10.0	34,500 @ 15.0 lbs.	30,500 @ 10.0 lbs.	14,200 @ 3.0 lbs.	4,750 @ 3.0 lbs.
EC4 100S CV	10 x 35	1.0	10.0	2.0	11.0	34,500 @ 15.0 lbs.	30,500 @ 10.0 lbs.	14,200 @ 3.0 lbs.	4,750 @ 3.0 lbs.
**EC4 100 VA+ Stainless Steel	10 x 35	1.0	10.0	2.0	11.0	34,500 @ 15.0 lbs.	30,500 @ 10.0 lbs.	14,200 @ 3.0 lbs.	4,750 @ 3.0 lbs.
EC4 150 V	10 x 54	1.5	9.0	2.0	10.0	51,800 @ 22.5 lbs.	45,800 @ 15.0 lbs.	21,400 @ 4.5 lbs.	4,750 @ 4.5 lbs.
EC4 150 CV†	10 x 54	1.5	10.4	2.0	15.0	51,800 @ 22.5 lbs.	45,800 @ 15.0 lbs.	21,400 @ 4.5 lbs.	4,750 @ 4.5 lbs.
**EC4 150 VA+ Stainless Steel	10 x 54	1.5	10.4	2.0	15.0	51,800 @ 22.5 lbs.	45,800 @ 15.0 lbs.	21,400 @ 4.5 lbs.	4,750 @ 4.5 lbs.
EC4 250 V	13 x 54	2.5	10.4	3.0	10.0	86,300 @ 37.5 lbs.	76,400 @ 25.0 lbs.	35,600 @ 7.5 lbs.	4,750 @ 7.5 lbs.
EC4 250 CV	13 x 54	2.5	10.5	3.0	12.0	86,300 @ 37.5 lbs.	76,400 @ 25.0 lbs.	35,600 @ 7.5 lbs.	4,750 @ 7.5 lbs.
EC4 400 V	14 x 65	4.0	10.0	4.0	10.0	138,100 @ 60.0 lbs.	122,200 @ 40.0 lbs.	57,000 @ 12.0 lbs.	4,750 @ 12.0 lbs.
EC4 400 CV	14 x 65	4.0	11.3	4.0	14.0	138,100 @ 60.0 lbs.	122,200 @ 40.0 lbs.	57,000 @ 12.0 lbs.	4,750 @ 12.0 lbs.
EC4-CAB 60SS V	10 x 18	0.6	9.5	2.0	9.0	22,100 @ 9.0 lbs.	18,300 @ 6.0 lbs.	10,500 @ 2.4 lbs.	4,415 @ 2.4 lbs.
EC4-CAB 60SS CV	10 x 18	0.6	9.5	2.0	8.0	22,100 @ 9.0 lbs.	18,300 @ 6.0 lbs.	10,500 @ 2.4 lbs.	4,415 @ 2.4 lbs.
EC4-CAB 60 V	10 x 35	0.6	9.5	2.0	9.0	22,400 @ 9.0 lbs.	18,600 @ 6.0 lbs.	10,700 @ 2.4 lbs.	4,476 @ 2.4 lbs.
EC4-CAB 60 CV	10 x 35	0.6	9.5	2.0	8.0	22,400 @ 9.0 lbs.	18,600 @ 6.0 lbs.	10,700 @ 2.4 lbs.	4,476 @ 2.4 lbs.
EC4-CAB 100 V	10 x 35	1.0	10.0	2.0	10.0	34,500 @ 15.0 lbs.	30,500 @ 10.0 lbs.	14,200 @ 3.0 lbs.	4,750 @ 3.0 lbs.
EC4-CAB 100 CV	10 x 35	1.0	10.0	2.0	12.0	34,500 @ 15.0 lbs.	30,500 @ 10.0 lbs.	14,200 @ 3.0 lbs.	4,750 @ 3.0 lbs.

\* El índice de eficacia de los acondicionadores está de acuerdo con NSF/ANSI 44. La eficacia del acondicionador es válida sólo con la cantidad establecida de sal.  
 Mayor o menor presión afectaría la eficacia del sistema.  
 † Sólo los siguientes modelos están certificados en el Estado de California: EC4 75 CV, EC4 100 CV, EC4 150 CV. Todos los otros modelos no están certificados en el Estado de California para el propósito de reclamos de salud.  
 \*\* EC4 75 VA+ Stainless Steel, 100 VA+ Stainless Steel, y 150 VA+ Stainless Steel no están probada y certificada por la WQA para NSF/ANSI44

**Cuadro de Datos para Resina ION-X 100 T**

Modelo	Tamaño del Tanque (pulgadas)	Resinas de Intercambio Catiónico (cu. ft.)	Velocidad Máximo de Flujo (gpm)	Drain Flow (gpm)	Caída de Presión (PSI)	High Salting	Medium Salting	Low Salting	Eficiencia*
EC4 50 T	8 x 44	0.5	10	1.5	12.0	13,500 @ 7.5 lbs.	11,700 @ 5.0 lbs.	6,600 @ 2.0 lbs.	n/a
EC4 50 CT	8 x 44	0.5	10	1.5	13.0	13,500 @ 7.5 lbs.	11,700 @ 5.0 lbs.	6,600 @ 2.0 lbs.	n/a
EC4 60SS T	10 x 18	0.6	10	2.0	9.0	14,300 @ 9.0 lbs.	12,400 @ 6.0 lbs.	7,000 @ 2.4 lbs.	n/a
EC4 60SS CT	10 x 18	0.6	10	2.0	9.0	14,300 @ 9.0 lbs.	12,400 @ 6.0 lbs.	7,000 @ 2.4 lbs.	n/a
EC4 60S T	10 x 35	0.6	10	2.0	9.0	14,300 @ 9.0 lbs.	12,400 @ 6.0 lbs.	7,000 @ 2.4 lbs.	n/a
EC4 60S CT	10 x 35	0.6	10	2.0	9.0	14,300 @ 9.0 lbs.	12,400 @ 6.0 lbs.	7,000 @ 2.4 lbs.	n/a
EC4 75 T	8 x 44	0.75	9.9	1.5	14.0	20,200 @ 11.2 lbs.	17,600 @ 7.5 lbs.	10,000 @ 3.0 lbs.	n/a
EC4 75 CT	8 x 44	0.75	9.4	1.5	15.0	20,200 @ 11.2 lbs.	17,600 @ 7.5 lbs.	10,000 @ 3.0 lbs.	n/a
**EC4 75 TA+ Stainless Steel	8 x 44	0.75	9.4	1.5	15.0	20,200 @ 11.2 lbs.	17,600 @ 7.5 lbs.	10,000 @ 3.0 lbs.	n/a
EC4 100 T	10 x 44	1.0	10.0	2.0	10.0	30,500 @ 15.0 lbs.	26,100 @ 10.0 lbs.	13,500 @ 3.0 lbs.	4,516 @ 3.0 lbs.
EC4 100 CT	10 x 44	1.0	10.0	2.0	11.0	30,500 @ 15.0 lbs.	26,100 @ 10.0 lbs.	13,500 @ 3.0 lbs.	4,516 @ 3.0 lbs.
EC4 100S T	10 x 35	1.0	10.0	2.0	10.0	30,500 @ 15.0 lbs.	26,100 @ 10.0 lbs.	13,500 @ 3.0 lbs.	4,516 @ 3.0 lbs.
EC4 100S CT	10 x 35	1.0	10.0	2.0	11.0	30,500 @ 15.0 lbs.	26,100 @ 10.0 lbs.	13,500 @ 3.0 lbs.	4,516 @ 3.0 lbs.
**EC4 100 TA+ Stainless Steel	10 x 44	1.0	10.0	2.0	11.0	30,500 @ 15.0 lbs.	26,100 @ 10.0 lbs.	13,500 @ 3.0 lbs.	4,516 @ 3.0 lbs.
EC4 150 T	10 x 54	1.5	9.6	2.0	12.0	45,700 @ 22.5 lbs.	39,200 @ 15.0 lbs.	20,300 @ 4.5 lbs.	4,516 @ 4.5 lbs.
EC4 150 CT	10 x 54	1.5	9.6	2.0	13.0	45,700 @ 22.5 lbs.	39,200 @ 15.0 lbs.	20,300 @ 4.5 lbs.	4,516 @ 4.5 lbs.
EC4 150 CT	10 x 54	1.5	9.6	2.0	13.0	45,700 @ 22.5 lbs.	39,200 @ 15.0 lbs.	20,300 @ 4.5 lbs.	4,516 @ 4.5 lbs.
**EC4 150 TA+ Stainless Steel	10 x 54	1.5	9.6	2.0	13.0	45,700 @ 22.5 lbs.	39,200 @ 15.0 lbs.	20,300 @ 4.5 lbs.	4,516 @ 4.5 lbs.
EC4 250 T	13 x 54	2.5	11.4	3.0	12.0	76,200 @ 37.5 lbs.	65,400 @ 25.0 lbs.	33,800 @ 7.5 lbs.	4,516 @ 7.5 lbs.
EC4 250 CT	13 x 54	2.5	11.2	3.0	13.0	76,200 @ 37.5 lbs.	65,400 @ 25.0 lbs.	33,800 @ 7.5 lbs.	4,516 @ 7.5 lbs.
EC4 400 T	14 x 65	4.0	10.8	4.0	12.0	122,000 @ 60.0 lbs.	104,700 @ 40.0 lbs.	54,100 @ 12.0 lbs.	4,516 @ 12.0 lbs.
EC4 400 CT	14 x 65	4.0	10.8	4.0	12.0	122,000 @ 60.0 lbs.	104,700 @ 40.0 lbs.	54,100 @ 12.0 lbs.	4,516 @ 12.0 lbs.
EC4-CAB 60 T	10 x 35	0.6	10	2.0	9.0	14,300 @ 9.0 lbs.	12,400 @ 6.0 lbs.	7,000 @ 2.4 lbs.	n/a
EC4-CAB 60 CT	10 x 35	0.6	10	2.0	9.0	14,300 @ 9.0 lbs.	12,400 @ 6.0 lbs.	7,000 @ 2.4 lbs.	n/a
EC4-CAB 60SS T	10 x 18	0.6	10	2.0	9.0	14,300 @ 9.0 lbs.	12,400 @ 6.0 lbs.	7,000 @ 2.4 lbs.	n/a
EC4-CAB 60SS CT	10 x 18	0.6	10	2.0	9.0	14,300 @ 9.0 lbs.	12,400 @ 6.0 lbs.	7,000 @ 2.4 lbs.	n/a
EC4-CAB 100 T	10 x 35	1.0	10.0	2.0	10.0	30,500 @ 15.0 lbs.	26,100 @ 10.0 lbs.	13,500 @ 3.0 lbs.	4,516 @ 3.0 lbs.
EC4-CAB 100 CT	10 x 35	1.0	10.0	2.0	11.0	30,500 @ 15.0 lbs.	26,100 @ 10.0 lbs.	13,500 @ 3.0 lbs.	4,516 @ 3.0 lbs.

\* El índice de eficacia de los acondicionadores está de acuerdo con NSF/ANSI 44. La eficacia del acondicionador es válida sólo con la cantidad establecida de sal.

Mayor o menor presión afectaría la eficacia del sistema.

\*\* EC4 75 TA+ Stainless Steel, 100 TA+ Stainless Steel, y 150 TA+ Stainless Steel no están probada y certificada por la WQA para NSF/ANSI44

## Requisitos de Sal

2 tipos de sal son recomendadas para los acondicionadores de agua:

**Sal en bloque:** El precio de sal bloque para acondicionador de agua es económico, bajo en impureza y no se endurecerá en el envase de sal.

**Sal Solar:** Sal solar en bastante económica y baja en impurezas.

## Limpiadores de Resina

Es siempre prudente proveer mantenimiento de prevención a su sistema. Si pequeñas cantidades de hierro están presente en su agua use sal que contenga removedor de hierro o agréguele limpiador de acondicionador de agua RainSoft al tanque de sal cuando le agregue la sal. Si tiene una cantidad excesiva de hierro en el agua le recomendamos la instalación de un filtro de hierro antes del acondicionador. Ver su distribuidor RainSoft para detalles.

## Requisitos de Mantenimiento

### Limpeza de la Válvula de Regeneración

El cuerpo de la válvula de regeneración esta diseñado para durar el curso de la vida, pero de vez en cuando puede ser necesario limpiar y lubricar piezas móviles. La calidad de su agua y las cantidades de regeneraciones necesarias afectarán su programación de mantenimiento. Su distribuidor local RainSoft está bien informado en las diversas calidades de agua y tendrá las piezas necesarias para completar este servicio.

### Prueba de su agua

Si ud. está confiado en este sistema para la reducción de bario y del radio, nosotros le recomendamos probar su agua periódicamente (2 veces al año) con una tira de prueba de dureza (proveída) para asegurarse que el sistema está funcionando correctamente y que la dureza, bario y radio están siendo reducidos\*. Tiras de prueba de dureza adicionales son disponibles sin costo alguno por RainSoft. Favor llamar al 1-800-860-7638 para su provisión gratis por dos años.

Entre las pruebas Ud. puede vigilar fácilmente el funcionamiento del sistema cuando se bañe o cuando se lave las manos. La sensación de agua suave debe estar presente en la piel.

## Información de la Certificación del Producto

La serie EC4 está probada y certificada por la WQA de Fundación para la Sanidad Nacional (NSF) / ANSI standar 44 para las demandas de funcionamiento específico según lo verificado y aprobado por los datos de prueba. Favor referirse a las hojas de datos de funcionamiento para las demandas específicas de reducción.

Los dispositivos de tratamiento de Agua vendidos a clientes en California acompañado de cierto reclamo de salud debe ser certificado por el Departamento de Salud Publica del Estado de California.

Modelos EC4 75 CV (certificado #06-1803), EC4 100 CV (certificado #06-1802), EC4 150 CV (certificado #06-1801) son certificados en California. Todos los otros modelos no son certificados en el Estado de California para los propósitos de hacer reclamos de salud Para los reclamos de salud certificado por el departamento de Salud de California, condiciones de uso y reemplazo de partes, favor referirse a las hojas de datos de Desempeño de California en páginas 54-59.

**Nota Importante:** La sal de roca no es recomendada para los acondicionadores de agua de RainSoft. Si sal en roca es usada el tanque de sal tendrá que ser limpiado periódicamente. **NO USE SAL GRANULADA!** El uso de sal granulada puede causar problemas con el servicio.

**Informacion Util:** El limpiador de Resina prevendrá el tratamiento de que el hierro quede atascado.

**Nota Importante:** Si ud. usa un limpiador que contiene ácido nítrico u otro agente oxidante, favor tenga cuidado y siga las instrucciones cuidadosamente.

**Informacion Util:** Nosotros recomendamos que este servicio sea realizado cada 3 años o antes si es necesario.

**Nota Importante:** Las tiras de prueba proveídas sólo prueban la dureza. La reducción de la dureza es también una indicación que el bario y el radio estan siendo reducidos\*.

\* Sólo los siguientes modelos están certificados para reducir bario y radio en el Estado de California: EC4 75 CV, EC4 100 CV, EC4 150 CV. Todos los otros modelos no están certificados en el Estado de California para propósito de hacer reclamos de salud.

# Instrucciones para Instalación

## 1. Medidas de Precaución

- Para prevenir un accidente y/o daño no levante la unidad sobre su hombro. Utilice un camión de mano para transportar la unidad.
- No coloque la unidad de lado.
- Utilice lentes de seguridad y guantes de trabajo durante la instalación.

## 2. Pruebe el Agua Cruda

- Si el agua contiene hierro, magnesio o hidrógeno de sulfito se requiere un sistema separado para remover el hierro que sea instalado con prioridad al acondicionador, consulte con su distribuidor local.

## 3. Revisar la Presión del Agua

- Use un indicador de presión para confirmar que la presión del agua no exceda de 120 psi. Si la presión de agua excede de ese límite instale un regulador de presión en el tubo de ingreso de la unidad. La presión mínima de agua para un acondicionador es de 20 psi. 60 psi es la presión óptima de operación.

## 4. Localice un sitio para el Sistema

- Hay 3 requisitos fundamentales necesarios para escoger el sitio: la fuente principal de agua, drenaje del boquete de aire, conexión de electricidad de tierra. Situe el sistema tan cerca a estos puntos como sea factible. Líneas de drenaje de más de 50 pies de largo pueden necesitar ser aumentadas en tamaño para permitir un adecuado flujo.

- Ponga el sistema en la ubicación deseada la cual debe ser una superficie nivelada, lisa y limpia.

- Si el sistema se encuentra al aire libre proteja la unidad de la luz directa del sol la cual puede dañar la fibra de vidrio o tros componentes del sistema. De ser necesario construya una caja o cobertizo.

## 5. Instalación de la Válvula Principal.

- quitar el tapón del tanque.
- lubricar el anillo o tubo de canalización vertical O-ring y el tanque O-ring con el lubricante basado en silicona o equivalente del dow 111.
- Sujetar la sesta superior a la parte baja de la válvula de control, torcer el bloqueo en su lugar. No utilice si el agua continúa con alguna cantidad de hierro.
- Alinear la sesta superior con el tubo de canalización vertical y lentamente baje mas la válvula de control sobre el tubo de canalización vertical usando un movimiento giratorio.
- Alinear la válvula de control con el tanque. Empuje hacia abajo la válvula de control y continúe dándole vuelta en el sentido de las agujas del reloj hasta que la válvula o anillo cierre contra el tanque.

## 6. Apagar el agua y Drenar la Tubería

- Apagar el agua en el medidor o en el tanque de presión.
- Para drenar el sistema de tubería abra los grifos de la casa y jale las cadenas. El agua drenará del grifo de salida más bajo.
- No lo reblandezca con agua o mientras esten unidos al sistema, el vapor las partes de plástico de la válvula.
- No apunte la antorcha directamente al tanque mineral o válvula de control. Estos materiales compuestos durarán una vida, pero no pueden resistir el calor intenso de la antorcha.

**Nota Importante:** Para residentes de Massachusetts solamente: Se deberá respetar el Código 248 CMR de la Mancomunidad de Plomería de Massachusetts. Un plomero certificado será usado para esta instalación.

**Información Util:** El desagüe puede ser de piso, trampa de alcantarilla, sumidero, respiradero, pozo seco etc., dependiendo en códigos locales de plomería.

**Nota Importante:** El sistema sólo podrá ser instalado al aire libre en climas que no alcancen niveles de congelación.

**Nota Importante:** No aplicable para EC4-CAB y SS Modelos.

**Nota Importante:** No apriete demasiado la válvula al tanque.

**Información Util:** Este procedimiento permitirá ingresar aire al sistema de plomería.

**Nota importante:** Aplicable para instalación de plomería copper.

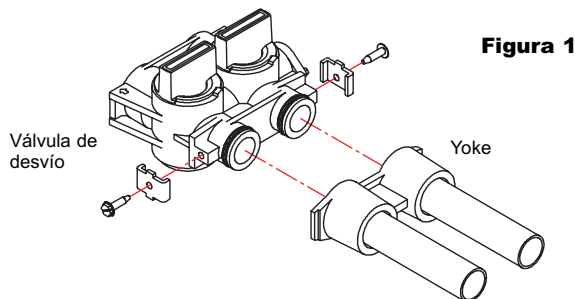
- Evite conexiones cortas del tubo entre el sistema y el calentador de agua. Si Ud. no lo pudiera evitar mueva el sistema a otra ubicación. Como último recurso instale una trampa de calor o válvula de detección. Si esto causa un “golpe de agua” instale un supresor de golpe de agua.

## 7. Proveer Agua No Tratada para Irrigación o Riego al Aire Libre

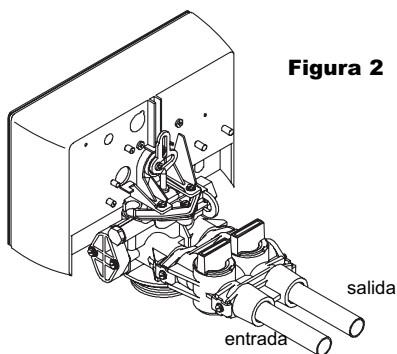
- De ser disponible dirija una línea de agua no tratada al grifo exterior o proporcione una conexión de manguera en la línea no tratada anterior al sistema.

## 8. Instalar el Conector de Tubo (Yoke) a la Válvula de Desvío

- Una vez que la fontanería esta terminada conecte el conector de tubo con la válvula de desvío (ver figure 1).



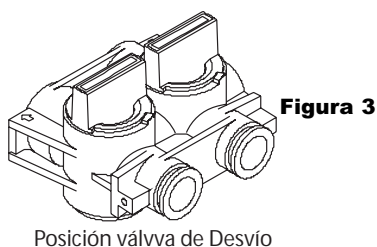
- Apoye toda la fontanería conectada al conector de tubo.
- Conecte el abastecimiento de agua cruda a la conexión del tubo de entrada del conector. Cuando se mire a la parte frontal del sistema, la entrada es la conexión del lado derecho de la válvula (ver figura 2). La flecha moldeada en la válvula indica la dirección del flujo.



- Conecte la tubería de agua tratada a la salida de la conexión del tubo en el conector. Cuando se mire a la parte frontal del sistema la salida es la conexión en el lado izquierdo de la válvula (ver figura 2) La flecha moldeada en la válvula indica la dirección de flujo.

## 9. Situe la Válvula de Desvío Para Cierre

- Mover las asas de la válvula de desvío en posición perpendicular a los tubos (ver figura 3).



**! Nota Importante: Conexiones de tubo corto puede permitir agua caliente retroceder dentro del sistema.**

**! Nota Importante: La válvula de desvío no esta diseñada para soportar el calor de la soldadura o torsión de las conexiones enroscadas.**

**! Nota Importante: Demasiado peso en las conexiones de tubería causará una fuga.**

## 10. Instalar la Línea de Desague y Boquete de Aire (boquete de aire no proporcionada)

- Para todas las líneas de desague use una línea de por lo menos 1/2 pulgada I.D.
- Conecte la línea de desague a la salida del desague atrás de la válvula en frente a la conexión de la entrada (ver figura 4). Se requiere un accesorio para conectar la rosca del tubo hembra a la línea del desague.

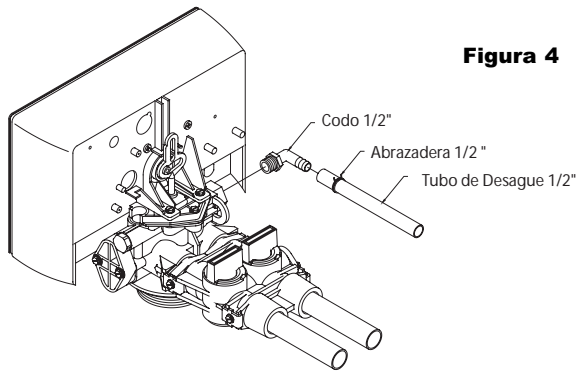


Figura 4

**Nota Importante:** El orificio de aire debe ser dos veces el diámetro de la línea de desague o un mínimo de dos pulgadas. Favor revise su código local de plomería para garantizar su cumplimiento.

- Corra la línea de desague a la abertura de aire la cual debe ser instalada entre el final de la línea de desague y el desague para prevenir (ver figura 5).

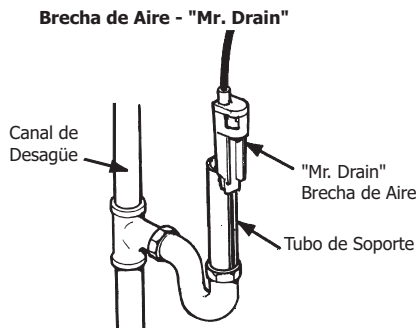


Figura 5

**Nota Importante:** No se aplica en modelos EC4-CAB

## 11. Instalar la Flota de Seguridad de Salmuera

- Inserte el pozo de salmuera al tanque de salmuera (ver figura 6).
- Conecte el pozo de salmuera al tanque de salmuera con el codo de desborde (ver figura 6).

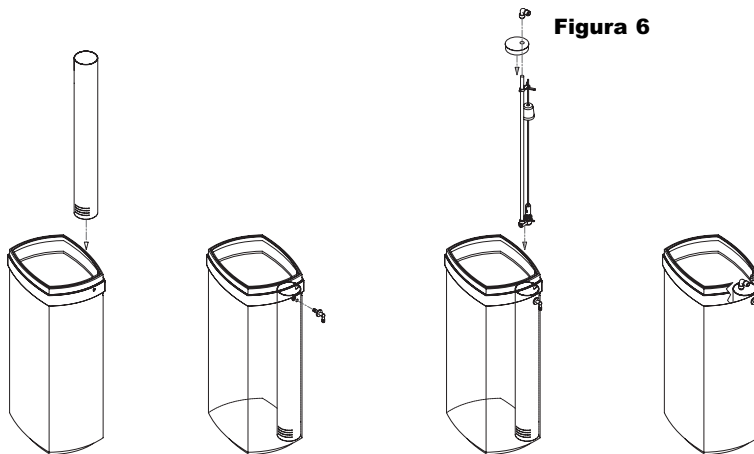


Figura 6



## 12. Instalar la Línea de Salmuera

- Deslice la tuerca de lata de compresión sobre el final de la línea de salmuera seguido por el regetón y tubo de apoyo. Unir la línea de salmuera al accesorio de lata en el lado derecho de la válvula. (ver figura 7).

- Inserte el tubo de soporte dentro del otro final de la línea de salmuera y empuje la línea de salmuera dentro del codo de la flota de seguridad de salmuera. Usar un sujetador para asegurar la conexión. (ver figura 7).

## 13. Instalar la Línea de Desborde de Salmuera (interior)

- Corra una línea de salmuera de desborde de 1/2 pulgada I.D. desde el codo de desborde sobre el lado del borde del tanque hacia un desagüe aprobado (ver figura 7).

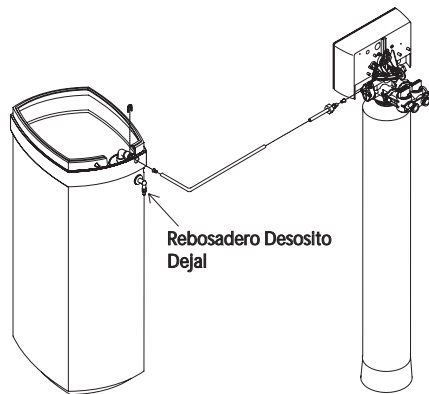


Figura 7

## 14. Unir la Conexión Eléctrica

- Sacar el cable suministrado del paquete de garantía.

- Unir el conector en forma de U (suministrado) al cable con una herramienta de prensa (no suministrada), luego conecte el cable a los dos terminales exteriores en el transformador (ver figura 8).

- Inserte el otro final del cable con el conector rápido dentro de la parte posterior de la microcontroladora (ver figura 8).

- Enchufe el transformador dentro de un toma corriente de 110 VAC 60 Hz o 230 VAC 50 Hz outlet.

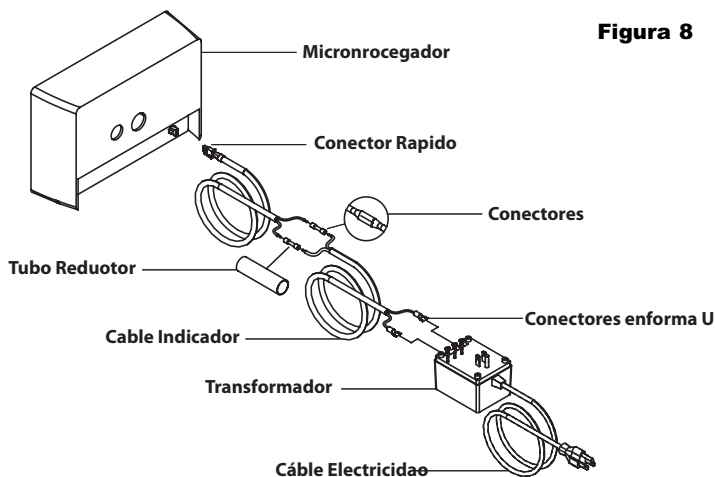


Figura 8

**Nota Importante: No Aplicable para modelo EC4-CAB .**

**Nota Importante para Modelos EC4-CAB : El codo de desborde está situado en la parte posterior del tanque de salmuera (no mostrado).**

**Nota Importante: La línea de desborde de salmuera no debe ser más alta que el codo de desborde en el borde del tanque. (Esto es un desbordamiento de la gravedad)**

**Y solo es usado cuando otra válvula de desborde falla.**

**Información Util : Si el alambre es demasiado corto utilice los conectores y tubo de recogimiento suministrados en el paquete de garantía para alargar el alambre.**

**Información Util Tip: Oprima el conector para soltarlo e la caja.**

**Informacion Util: Revisar la etiqueta del transformador para el correcto voltaje requerido.**

# Sistema de Puesta en Marcha

## 1. Encienda el agua y verifique que no haya fugas

- Cerrar todas las cañerías y vuelva a abrirlas en el medidor de agua o tanque de presión.
- Verifique que no haya fugas. De presentar fugas vacíe la tubería nuevamente antes de soldarla.

## 2. Enjuagar los Restos del Sistema

- Abra el grifo de agua fría de su bañera.
- Permitir al sistema enjuagar la suciedad y restos que queden dentro de la bañera hasta que el agua que corra sea clara.
- Abrir los demás grifos y permitir que la tubería libere cualquier aire atrapado en el sistema.
- Cierre todos los grifos.

## 3. Abrir la Válvula de Desvío

- Mover las manijas de la válvula de desvío a la posición de funcionamiento. Las manijas de la válvula deben de estar paralelas a las tuberías (ver figura 9).

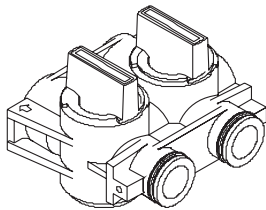


Figure 9

Posición de Funcionamiento

- Abrir el grifo de la bañera nuevamente permitir al sistema llenarse de agua por aproximadamente 5 minutos. Después de 5 minutos, hacer la prueba por agua suave.

## 4. Enjuagar el Calentador de Agua

- Corra agua caliente en la bañera hasta que el agua pruebe estar suave.

## 5. Agregar la Sal y Programar la Computadora

- Favor remitirse a las “Configuraciones del Cliente” en páginas 13–14.

## 6. Desinfectar el Acondicionador

- Mezclar 3/4 de taza de lejía doméstica común (sin olor) de 5.25% con 1 cuarto de galón de agua. Vertir esta solución dentro del pozo de salmuera.
- Inicie la regeneración manual. La solución será tirada dentro del acondicionador en el proceso de regeneración.
- Después que el sistema ha completado la regeneración manual el acondicionador estará desinfectado y listo para su uso.

**Información Util :** Este procedimiento evitará que la suciedad y escombros entren en la válvula.

**Información Util:** Es común en sistemas nuevos tener cierto color en el agua. El color debe desaparecer después que ud. enjuague completamente el sistema.

**Nota Importante:** No vertir lejía no diluida dentro del acondicionador de agua.

## Una Visión general del proceso de regeneración

Su Acondicionador de Agua RainSoft EC4 desarrolla un ciclo de regeneración periódica para limpiarse a si mismo y restaurar su capacidad. Con que frecuencia se regenere depende de su uso de agua, de la dureza del agua, y varios otros factores, pero 1 - 2 veces a la semana típicamente. Una regeneración automática nunca ocurrirá más de una vez al día y esta programado para ocurrir al momento cuando es poco probable estar usándose agua (tarde por la noche en la mayoría de los casos). El tiempo de regeneración es ajustable a través de la pantalla de control. Aquí hay visión general del proceso de regeneración:

### Llene el tanque de salmuera

El primer paso de preparación para la regeneración es agregar agua al tanque de salmuera. La cantidad de sal que el acondicionador usa esta directamente relacionado a la cantidad de agua agregada al tanque de salmuera. La sal solo disolverá dentro del agua hasta que alcancen un punto de saturación, entonces no importa por cuanto tiempo mas se encuentre, no disolverá mas sal. Muchos suavizantes añaden una cantidad fija de agua al tanque de salmuera al final de cada ciclo de regeneración. Con este tipo de unidad, el agua se encuentra en el tanque hasta la siguiente regeneración, usualmente por varios días.

Su EC4 utiliza un más sofisticado y eficiente enfoque llamado "encurtido proporcional".

La computadora continuamente monitorea su agua y decide si es necesaria hoy una regeneración. Si es necesaria la regeneración, la computadora mueve la válvula a la posición de relleno de salmuera cerca de dos horas antes del tiempo programado para la regeneración. Es posible que escuche el motor correr y agua que fluye en ese momento. Porque la computadora sabe cuanta agua Ud. ha utilizado, calcula la cantidad exacta de sal que será necesaria para restaurar completamente la capacidad del sistema. Entonces añade suficiente cantidad de agua al tanque de salmuera para disolver esa sal. Por lo que puede decir que genera salmuera en proporción a la cantidad de capacidad que necesita para restaurar - no desperdicia sal.

**EJEMPLO:** Si la hora de regeneración esta establecida para las 2.00 AM, es posible que escuche el sistema iniciar la regeneración a las 11:45 PM. Lo que esta realmente haciendo es ejecutar el ciclo de llenado de salmuera. Llenara el tanque de salmuera por pocos minutos, entonces retornara a su posición inicial normal por 2 horas. El ciclo completo de regeneración comienza a las 2:00 AM como estaba programado.

### Ciclo de Remojo

Después de agregar agua al tanque de salmuera, la válvula regresa a la posición de inicio y espera por dos horas. Esto da pleno tiempo a la sal para que disuelva y asegura que una dosis exacta de sal sea usada. El sistema está todavía suministrando agua tratada a su hogar durante este ciclo.

### Ciclo de Lavado

Al momento exacto de la regeneración, la válvula se mueve a la posición de lavado para el real inicio de su ciclo de regeneración. En la posición de lavado, el fluido normal a través del tanque de presión se invierte, con agua fluyendo de abajo para arriba, de modo que el mineral de ablandamiento es levantado y limpiado. Esto elimina cualquier suciedad o partículas que se han acumulado en la parte superior de la capa de minerales. Como es cierto en el proceso de regeneración completo, toda el agua que fluye a través del tanque en este momento es enviada directamente al desagüe. Nada del agua de regeneración entra en las tuberías de suministro. Si utiliza algo de agua durante la regeneración, el sistema le proporciona con agua no tratada que no pasa por el tanque.

## **Extracción de Salmuera / Ciclo lento de enjuague**

Después que el sistema es lavado por varios minutos, la válvula se mueve a la posición de extracción de salmuera. En esta posición, la válvula crea un vacío para extraer la solución de salmuera del tanque de salmuera. La solución de salmuera fluye lentamente a través de la capa de minerales, eliminando los iones de dureza que se adjuntan en la resina de ablandamiento y enviándolos al desagüe. Después que toda la salmuera es extraída del tanque de salmuera, el sistema continúa lentamente el enjuague de la cama de minerales, dando tiempo suficiente para que todas las cuentas de resina sean recargadas y enjuagando cualquier exceso de salmuera.

## **Ciclo de Enjuague Rápido**

La válvula entonces se mueve a su ciclo de regeneración final, en el cual el agua fluye rápidamente a través la capa en su dirección normal de arriba para abajo. Esto asienta la capa de minerales hacia abajo y sirve como un enjuague final de limpieza. La válvula entonces retorna a su posición de inicio. El ciclo de regeneración está completo.

**NOTA:** el ciclo completo de regeneración, desde lavado a enjuague rápido, toma de una a dos horas en la mayoría de los casos.

## **REGENERACION MANUAL:**

Aunque aquello no puede ser necesario, Ud. siempre tiene la opción de comenzar una regeneración inmediata usando la llave "regeneración manual" en el teclado. La regeneración manual comenzará con llenar el tanque de salmuera y un ciclo de remojo de 2 horas como se describe anteriormente. Desde que una regeneración manual está destinada principalmente para recuperarse de circunstancias inusuales, tales como permitir que el tanque de salmuera se quede sin sal, se asume que tiene que recuperar su capacidad plena. Por lo tanto una regeneración manual siempre utiliza la máxima dosis de sal para el tamaño de su unidad.

# Configuraciones del Cliente

El modo de Configuraciones del Cliente permite el acceso a una variedad de opciones de programación:

**Nivel de Sal:** Esta función determina los niveles de sal del tanque de sal.

**Modo de Vacaciones:** Esta función pone el sistema en pausa mientras ud. esta de vacaciones o ha salido por cierto periodo de tiempo.

**Alarma de la Sal:** Esta función establece que la alarma visual y de sonido se active y el tiempo en que se desactive con o sin sonido.

**Hora del día:** Esta función establece la hora del día.

**Día Actual:** Esta función establece el día actual de la semana.

**Fecha Actual:** Esta función establece la fecha actual por mes/día/año.

**Tiempo de Ahorro Automático de Luz del Día:** Esta función permite a la computadora automáticamente determinar el ahorro de luz del día en lugares donde es permitido.

**Tiempo de Regeneración:** Esta función determina la hora del día en que la computadora regenerará el sistema basado en los parámetros establecidos.

**Para acceder estas opciones de operación, favor seguir las siguientes instrucciones.**

Si el monitor no está encendido presione cualquier tecla. Cuando el monitor este encendido presione la techa Configuraciones del Cliente. Use las teclas de Adelantar y Retroceder para desplazarse hasta el parámetro que desee establecer o modificar. Para salir de la función Configuraciones del Cliente en cualquier momento sólo presione la tecla Inicio.

## La Computadora mostrará: Nivel de Sal

- Llene el tanque de sal (hasta el nivel 4) con sal solar, sal en bloque o cloruro de potasio.
- Use las teclas de Ajustar hacia arriba y Ajustar hacia abajo para cambiar la cantidad de sal al nivel indicado en la escala del tanque de sal ( ubicado en el lado del tanque de sal).

## La computadora mostrará: Modo de Vacaciones– APAGADO

- Use las teclas de Ajustar hacia Arriba y Ajustar hacia Abajo para seleccionar “ENCENDIDO”.
- Si seleccionó “ENCENDIDO”, presione la tecla de Inicio. La computadora mostrará : Días ausentes:– 2 Días.
- Use las teclas de Ajustar hacia Arriba y Ajustar hacia Abajo para cambiar el número de días ausente..



**! Nota Importante: Cuando ud. salga de Configuraciones al Cliente, la computadora automáticamente guardará cualquier cambio ocurrido.**

**! Información Util: La escala para el bloque de sal está diseñada para niveles 1 – 4. La escala para bolsa de sal cloruro de potasio está diseñada para niveles 1 – 5. Para tanques mas largos una etiqueta de escala de sal es disponible a través de su distribuidor de RainSoft, parte número 19024.**

**! Nota Importante: Después de fijar el modo de vacaciones, la computadora proveerá 16 horas de retraso para su conveniencia. Si se detecta el uso de agua después de 16 horas de retraso, el modo de vacaciones está desactivado.**

**Un día antes de la fecha prevista de retorno el sistema regenerará en el tiempo normal de regeneración. Esta función garantizará un acondicionado fresco a su llegada .**

### La Computadora mostrará: Alarma de Sal- ENCENDIDO.

- Usar la tecla de Ajustar hacia Arriba o Ajustar hacia Abajo para seleccionar “APAGADO”.
- Si Ud. ha elegido mantener la alarma “ENCENDIDO” presione la tecla Adelantar del Menú Use las teclas para Ajustar hacia Arriba y Ajustar hacia Abajo para cambiar la hora de alarma, si lo desea.

### La Computadora mostrará: Hora del Día

- Usar la tecla Ajustar hacia Arriba y Ajustar hacia Abajo **para cambiar la hora del día.**
- Presione la tecla Adelantar del **Menu para entrar a los minutos del día.** Usar la tecla Ajustar hacia Arriba y Ajustar hacia Abajo para cambiar los minutos.

### La Computadora mostrará: Día Actual

- Usar la tecla **Adjustar hacia Arriba y Adjustar hacia Abajo para seleccionar el día actual.**

### La Computadora mostrará: Fecha Actual

- Usar la tecla **Adjustar hacia Arriba y Adjustar hacia Abajo** para cambiar el mes.
- Presione la tecla Adelantar en el Menu para ingresar el día. Usar la tecla Ajustar hacia Arriba y Ajustar hacia Abajo para cambiar el día.
- Presione la tecla Adelantar del Menu para ingresar el año. Usar la tecla de Ajustar hacia Arriba y Ajustar hacia Abajo para cambiar el año

### La Computadora mostrará: Tiempo de Ahorro de Luz del Dia Automático- ENCENDIDO

- Usar la tecla **Ajustar hacia Arriba o Ajustar hacia Abajo** para seleccionar “APAGADO”.

### La Computadora mostrará: Tiempo de Regeneración

- Usar la tecla **Ajustar hacia Arriba o Ajustar hacia Abajo** para cambiar la hora de regeneración.

Para salir de Configuraciones para el Cliente, presione la tecla ENTRAR.


## Como Iniciar la Regeneración Manual

Si el monitor no está encendido presione cualquier tecla para comenzar. Cuando el monitor está encendido presione la tecla Regeneración Manual.

### La Computadora mostrará: Regeneración Manual Ahora o Luego?


- Para seleccionar “Ahora”, presione la tecla Ingresar. La computadora proporcionará una cuenta regresiva de 10 segundos antes de la regeneración. Para cancelar la regeneración manual AHORA use la tecla Adelantar del menu **para salir del menu antes de que la regeneración comience.** Si la regeneración manual ya ha comenzado, el sistema deberá completar la regeneración y entonces regrese la función antes que la computadora reanude la interacción.
- Para seleccionar “Luego”, presione la tecla Adelantar del **Menu** y luego la tecla Ingresar. La computadora mostrará : Regeneración Manual Regen luego (fijar momento de regeneración).

Para salir del Modo de Regeneración, use la tecla Adelantar o Retroceder del Menu.

 **para alertarlo cuando el tanque de sal necesita ser relleno. Seleccione el tiempo en la alarma mas conveniente para Ud.**

 **Información Util: Use tecla Regresar para editar su selección.**

 **Información Util: Usar la tecla Regresar para editar su selección.**

 **Información Util: Si ahorro de luz del día automático esta “ENCENDIDO”, el sistema automáticamente ajustará el reloj en primavera y otoño. Sólo ajuste el tiempo de ahorro de luz en “APAGADO” si tiempo de ahorro de luz del día no se observa en su area.**

# Sistema de Alarmas

Su sistema está equipado con varios tonos de alarma: poca sal, no sal, y requiere servicio. Favor ver la siguiente información de alarmas:

**Alarma de Sal:** Cuando suene la alarma de sal de su sistema, Ud. tendrá la opción de rellenar el tanque de sal ahora o posponer la alarma hasta otro momento. Para agregar la sal ahora siga las guías en la pantalla. Para posponer la alarma usar la tecla Ajustar hacia Arriba y Ajustar hacia Abajo para seleccionar el número de días que Ud. desea posponer la alarma. Presione la tecla Iniciar luego de haber seleccionado el número de días.

**Alarma de se Requiere Servicio:** Favor contactar su distribuidor local de RainSoft para mantenimiento.

## Entendiendo el Centro de Información

El Centro de Información proporciona información reciente de la alarma, uso del agua e información general del sistema Para ingresar a esta información favor seguir las siguientes instrucciones.

Si el monitor no está encendido, presione cualquier tecla para comenzar. Cuando el monitor esta encendido presione la tecla **Info.Tecla Central**. Para ver el listado de diagnóstico, use la tecla Adelantar y Retroceder del Menu. Para salir del Centro de Información en cualquier momento presione la tecla Ingresar.

Los siguientes puntos son mostrados en el Centro de Información:

**Tamaño del Modelo:** Muestra la información del modelo al cliente.

**Situación del Sistema:** Muestra la situación actual del sistema, incluyendo cualquier información de la alarma.

**Método de Regeneración:** Demanda Iniciada es la única opción.

**Nivel de Sal:** Muestra el nivel de sal actual.

**Alarma de Sal:** Muestra la condición de “ENCENDIDO/APAGADO” y el tiempo determinado para sonar la alarma de sal.

**Tiempo de Regeneración:** Muestra el promedio de la sal usada semanalmente en libras.

**Promedio de Agua Usada:** Muestra el promedio de agua usada por el sistema en galones por día.

**Promedio de Agua Usada Semanalmente:** Muestra el promedio de agua usada semanalmente en libras.

**Flujo Actual:** Muestra la velocidad actual del flujo a través del sistema cuando el agua está siendo usada en galones por minuto.

**Actualización de Agua Usada:** Muestra la cuenta de galones actual desde la última regeneración.

**Dureza:** Muestra la dureza programada en granos basada en el análisis del agua.

**Hierro:** Muestra el hierro programado en partes por millón basado en el análisis del agua.

**Estimado para la siguiente Regeneración =:** Muestra el número de días estimado para la siguiente regeneración.

**Modo de Vacaciones:** Muestra la condición “ENCENDIDO/APAGADO”.

**Instalación del Acondicionador:** Muestra la fecha de instalación.

**Instalación del Filtro (de ser aplicable):** Muestra la fecha de instalación.

**Instalación de Agua Potable (de ser aplicable):** Muestra la fecha de instalación.

**Instalación del AirMaster (de ser aplicable):** Muestra la fecha de instalación.

**Dirección de la Página Web:** Muestra la dirección electrónica de RainSoft.

**Llamada para Mantenimiento:** Muestra el numero telefónico para mantenimiento.

**Pasa Salir del Centro de Información, presione la tecla Ingresar.**

**Información Util : Para silenciar la alarma presione cualquier tecla.**

**Información Util: no se requiere desabilitar la alarma si Ud. agrega sal antes de seleccionar el número de días de posponer. Favor referirse a la pág. 13 de Configuraciones para el Cliente para instrucciones de agregar sal.**

**Nota Importante: El Centro de Información es un modo de mostrar pero no permite ningún cambio de los controles o la actual información del servicio.**

**Nota Importante: El promedio de agua usada será preciso después de 7 días de empezado.**

**Nota Importante: Esta función permanecerá encendida y contará los galones usados.**

**Nota Importante: Este estimado está basado en el consumo de agua. Toma hasta 14 días después de empezado para obtener un estimado preciso.**

# Solución de Problemas

Indicio	Causa	Solución
1. El sistema falla en regenerar automáticamente	<ol style="list-style-type: none"> <li>1. El enchufe está conectado en un intermitente o no recibe energía.</li> <li>2. El sistema no cuenta los galones.</li> </ol>	<ol style="list-style-type: none"> <li>1. Conectar a una fuente de energía constante.</li> <li>2. Llamar a su distribuidor de RainSoft para servicio..</li> </ol>
2. El sistema regenera en el tiempo hora equivocada	<ol style="list-style-type: none"> <li>1. La computadora no está configurada correctamente.</li> <li>2. El momento de ahorro de luz del día está apagado.</li> <li>3. La máxima capacidad del sistema ha sido excedida.</li> </ol>	<ol style="list-style-type: none"> <li>1. Reiniciar el momento de día/hora de regeneración.</li> <li>2. Verificar que el momento de ahorro de luz del día este configurado "ENCENDIDO".</li> <li>3. Limitar el uso de agua hasta que la regeneración ha terminado.</li> </ol>
3. Baja calidad de agua	<ol style="list-style-type: none"> <li>1. El agua cruda haya cambiado.</li> <li>2. La válvula de desvío esta abierta.</li> <li>3. El suministro de energía ha sido desconectado.</li> </ol>	<ol style="list-style-type: none"> <li>1. Llamar a su distribuidor de RainSoft para un nuevo análisis del agua.</li> <li>2. Cierre la válvula de desvío.</li> <li>3. Conectar en la fuente de energía.</li> </ol>
4. Pérdida de presión de agua.	<ol style="list-style-type: none"> <li>1. Baja presión hacia la unidad.</li> </ol>	<ol style="list-style-type: none"> <li>1. Desviar el sistema. Si el problema aún existe después del desvío, esto no esta relacionado al productor RainSoft. (revisar su sistema distribución de agua) Si el problema se resuelve después del desvío, llamar al distribuidor de RainSoft para servicio.</li> </ol>
5. Agua excesiva en el tanque de salmuera o agua salada.	<ol style="list-style-type: none"> <li>1. La línea de desagüe está obstruida/restringida.</li> <li>2. La válvula de salmuera está sucia.</li> <li>3. Baja presión de entrada.</li> <li>4. El inyector está obstruido.</li> </ol>	<ol style="list-style-type: none"> <li>1. Revisar el flujo de agua al desagüe. Revisar por obstrucciones en la línea de desagüe. Llamar a su distribuidor RainSoft por servicio.</li> <li>2. Llamar a su distribuidor de RainSoft por servicio.</li> <li>3. Llamar a su distribuidor RainSoft para asistencia.</li> <li>4. Llamar a su distribuidor RainSoft por servicio.</li> </ol>
6. El sistema falla al usar la sal.	<ol style="list-style-type: none"> <li>1. La línea de desagüe está obstruida/restringida.</li> <li>2. El inyector está obstruido.</li> <li>3. Baja presión de entrada.</li> <li>4. No hay agua en el tanque de salmuera.</li> </ol>	<ol style="list-style-type: none"> <li>1. Revisar el flujo del agua al desagüe. Revisar por obstrucciones en la línea de desagüe. Llamar a su distribuidor RainSoft por servicio.</li> <li>2. Llamar su distribuidor RainSoft por servicio.</li> <li>3. Llamar a su distribuidor RainSoft para aumentar la presión de entrada. Esto debe estar a un mínimo de 20 psi.</li> <li>4. Llamar a su distribuidor RainSoft por servicio.</li> </ol>
7. Flujo constante al desagüe.	<ol style="list-style-type: none"> <li>1. Elemento extraño en la válvula.</li> <li>2. Excesiva presión de agua.</li> </ol>	<ol style="list-style-type: none"> <li>1. Llamar a su distribuidor RainSoft para limpiar la válvula</li> <li>2. Instalar un regulador de presión.</li> </ol>

Si la guía de solución de problemas no resuelve estos indicios, favor contactarse con su distribuidor local de RainSoft para servicio. Si Ud. no puede localizar a su distribuidor local de RainSoft, favor comuníquese al Servicio al Cliente de RainSoft al 1-800-860-7638 o entrar a [www.rainsoft.com](http://www.rainsoft.com) para el nombre y dirección de distribuidor autorizado más cercano.



# Garantía de por Vida Limitada

*Por el tiempo que Ud. posea el equipo*

RainSoft Division of Aquion, Inc. cree que su

## SISTEMA DE TRATAMIENTO DE AGUA

es de excepcional calidad, por eso la garantía es dada al primer comprador del equipo al por menor como sigue:

*El tanque de tratamiento, valvula, recipiente de sal, componentes eléctricos y resinas Ion-X 2000 e Ion X-100 son garantizadas contra defectos en la fabricación por el tiempo de vida del primer comprador al por menor.*

Esta garantía comienza cuando el equipo es conectado para su uso por primera vez y depende de que el dueño llene, firme y envíe su tarjeta de registro.

Esta garantía no exige el reemplazo de toda la unidad. Si el equipo no funciona de manera correcta Ud. debe de solicitar servicio del distribuidor que le vendió el equipo. Si Ud. no queda satisfecho debe notificar a nuestro encargado del Servicio de atención al Cliente. Si no podemos arreglar el mantenimiento local, Ud debe enviar la pieza (s) defectuosa (o si ud. prefiere envíe la unidad entera). directamente al fabricante, carga pagada por adelantado, con la prueba de compra y una copia de esta garantía. La pieza (s) defectuosa (o la unidad entera) será reparada o la nueva pieza(s) de RainSoft será suministrada por un pequeño costo que incluye mano de obra, empaquetar, enviar y la subida de precio, si hubiera, en el precio de las partes desde el día de la compra. Partes originales de RainSoft serán usadas. La falla de usar piezas originales de RainSoft anulará la garantía y las certificaciones.

Esta garantía no incluye la mano de obra, no cubre la instalación, el transporte o algún reclamo civil. Algunos estados no permiten la exclusión o limitación de causal o consecuentes daños, entonces partes comprendidas en las limitaciones o exclusiones arriba mencionadas no se aplicarán en su caso.

Esta garantía le da derechos específicos legales y Ud podría tener otros derechos los cuales varían de Estado a Estado. Ud también puede tener derechos implícitos en la garantía. En caso de un problema con el servicio de garantía o rendimiento Ud. puede ir a una corte de pequeñas demandas, una Corte Estatal o una Corte del Distrito Federal.

Esta garantía será anulada si el equipo no es instalado o usado de acuerdo a las instrucciones. Esto no se aplica al daño causado por el abuso, accidente, negligencia, congelación, fuego o cualquier otras condiciones anormales más allá del control de la compañía. Esta garantía es anulada en cualquier parte en la cual la fecha de fabricación ha sido removida o hizo elegible.

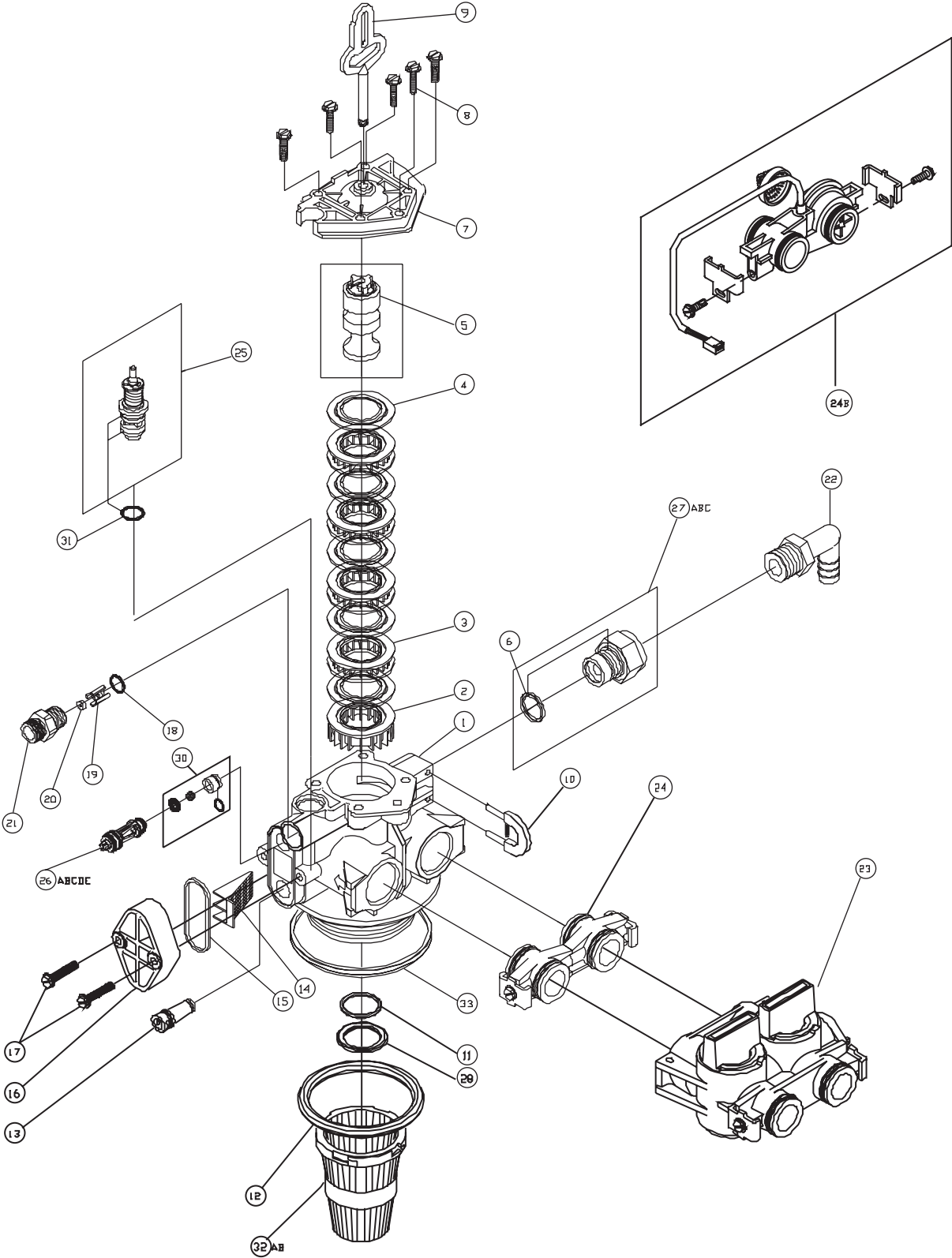
Beneficios serán proporcionados por los varios tipos de equipos de RainSoft equipment cuando están instalados y usados de acuerdo a las recomendaciones del fabricante. Los requisitos operacionales, de mantenimiento y de reemplazo son esenciales para que el producto funcione según la publicidad hecha. Todos los reclamos están basados en la mejor información disponible al momento de la impresión. El fabricante no hace ninguna representación en cuanto a la conveniencia de este equipo para una aplicación determinada. Los compradores confiarán enteramente en las recomendaciones del distribuidor autorizado en la compra de este equipo.

Los distribuidores autorizados independientes de RainSoft pueden incluir junto con su producto de RainSoft, un producto o componente que no es fabricado por RainSoft o su sociedad matriz, Aquion, Inc. Cualquier producto que no ha sido hecho por RainSoft puede ser cubierto por el fabricante de ese producto y no está cubierto por la garantía de RainSoft. Aquion, Inc. no garantizan que su producto de RainSoft y los que no son RainSoft funcionen correctamente cuando son usados juntos y consecuentemente no asume ninguna responsabilidad.

RainSoft Division of Aquion, Inc.  
2080 East Lunt Avenue  
Elk Grove Village, Illinois 60007 USA

Valvulas y Equipo fabricado después del 1ro de Mayo, 2009

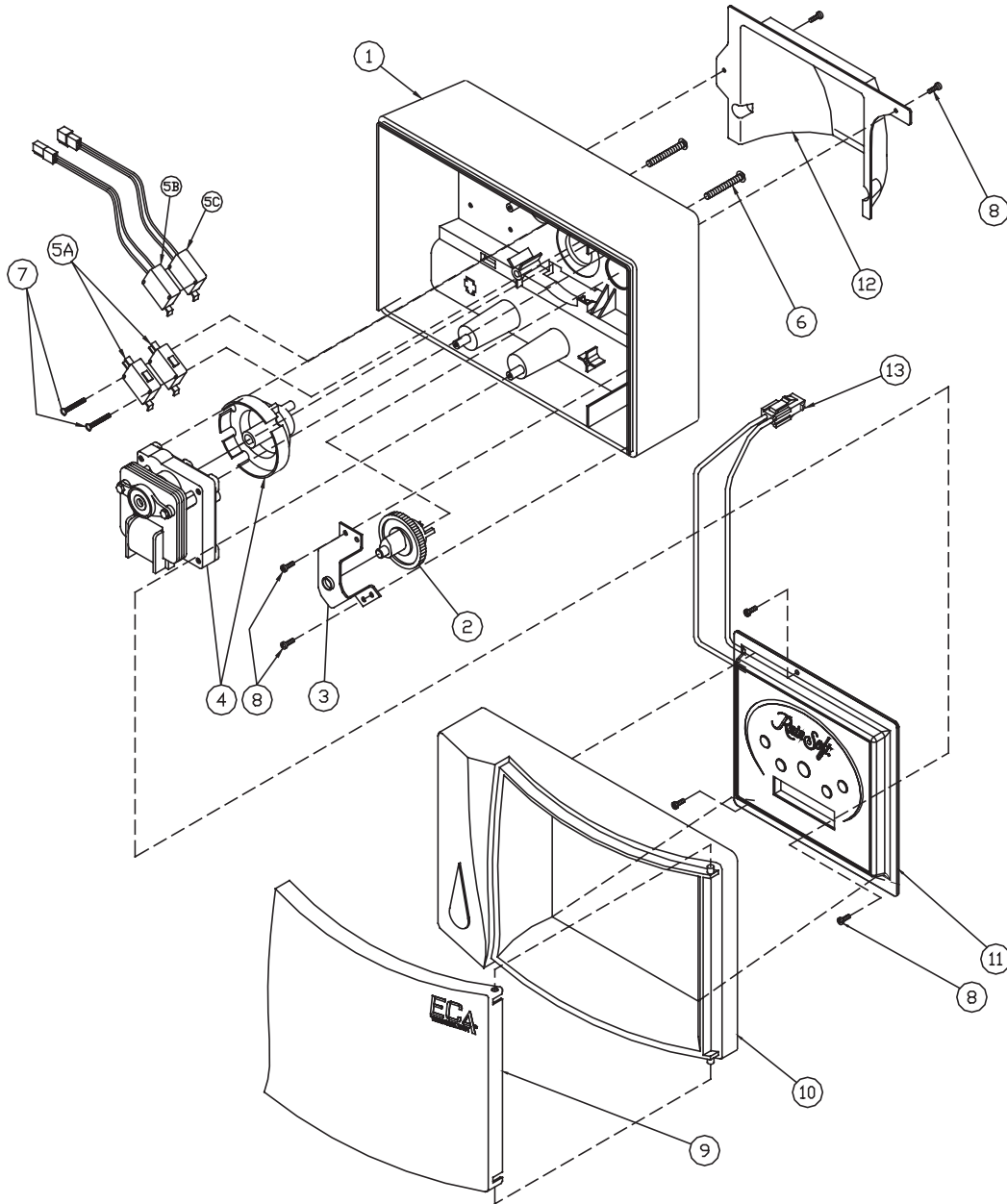
# Vista Detallada de la Vlvula



## Lista de Partes de la Válvula

Artículo	Cantidad	Número de Parte	Descripción
1	1	17863	Composite valve body
2	1	17864	Spacer end
3	4	17865	Internal spacer
4	5	17866	Internal seal
5	1	18160	Retainer & down flow piston
6	1	10258	O-ring - 017
7	1	17869	End plug assembly
8	5	17870	10-24 x .812 screw hex washer head
9	1	17871	Piston rod
10	1	17887	Retainer drain
11	1	17888	O-ring - 121
12	1	17889	O-ring - 336
13	1	17617	Injector plug assembly
14	1	17948	Injector screen
15	1	17949	Injector seal
16	1	17950	Injector cap
17	2	17951	Screw hex washer head 10-24 x 1.0
18	1	17958	O-ring - 015
19	1	17953	Retainer blfc button
20	1	17954	Flow control washer 0.25 gpm
21	1	17957	Adapter blfc 0.25 gpm
22	1	17939	1/2 npt x 1/2 barb poly elbow
23	1	17557	Composite bypass valve
24A	1	17560	3/4" coupling adapter assembly
24B	1	17558	Turbine meter assembly with cable
25	1	17812	Refill shut-off assembly
26A	1	17893	#00 injector assembly
26B	1	17947	#0 injector assembly
26C	1	18194	#1 injector assembly
26D	1	19318	#2 injector assembly
26E	1	19393	#3 injector assembly
27A	1	17991	1.5 drain line flow control assembly
27B	1	17992	2.0 drain line flow control assembly
27C	1	17994	3.0 drain line flow control assembly
28	1	18445	Riser pipe retainer o-ring
29	1	19739	Check ball cage assembly
30	2	13329	O-ring - 014
31A	1	17941	Diffuser upper basket 1 x .008 red
31B	1	18985	Diffuser upper basket 1 x .02 white
32	1	19328	Tank retainer seal

# Vista Detallada de Control



## Lista de Partes de Control

Artículo	Cantidad	Número de Parte	Descripción
1	1	17487	Rear housing
2	1	17501	Brine cam gear
3	1	17492	Brine cam gear bracket
4	1	17537	Valve motor w/computer cam 24v 50/60 hz
5A	2	17526	Switch 45 deg actuator gold contact
5B	1	19536	Sealed switch C-NC male connector red
5C	1	19537	Sealed switch C-NO female connector brown
6	2	17548	10-32 x 1.50 screw pan h phil ss
7	2	18135	4-20 x 1.25 screw slotted hex washer type 25
8	7	17542	4-20 x 0.375 screw pan h phil ss
9	1	19713	Front door housing EC4
10	1	17854	Front housing
11	1	19749	EC4 computer outdoor assembly
12	1	17490	Rear housing cover
13	1	19732	EC4 computer wire harness OD

## EC4 75 CV

### DEMANDA INICIADA EN SISTEMA DE TRATAMIENTO

- VELOCIDAD DE SERVICIO DE FLUJO = 9.3 GPM (35.2 LPM)
- VELOCIDAD DE VACIADO DE FLUJO: 1.5 GPM (5.7 LPM)
- PRESION POR PULGADA CUADRADA.GOTA @ VELOCIDAD DE FLUJO: 15.0 psi (1.1 kgf/cm<sup>2</sup>)
- FUNCIONAMIENTO DE SUMINISTRO DE PRESION POR PULGADA CUADRADA: 20 psi - 120 psi (1.47 - 8.45 kgf/cm<sup>2</sup>)
- FUNCIONAMIENTO DE : 40° F - 100° F (4.4° C - 38° C)
- ELECTRICAL: 24 VAC, 50/60 Hz (COMPUTADORAER)
- SALT PER REGENERATION: VARIABLE
- EFFICIENCY: 4,470 GRAINS/LBS. SALT@ 3.0 LBS.DOSAGE

### CAPACIDAD Y AJUSTE DE SAL

CAPACIDAD	SAL
13,400 GRANOS	@ 3.0 LBS. DE SAL
24,000 GRANOS	@ 7.5 LBS. DE SAL
28,100 GRANOS	@ 11.2 LBS. DE SAL

#### LISTA DE CONTAMINANTES REDUCIDA

CONTAMINANTE	USEPA MCL
BARIO*	2 PPM
RADIO 226/228*	5 PCI/L

NSF/ANSI STANDARD 44 TEST CONDITIONS: 35 ± 5 psi, 65 ± 10°F, pH 7.5 ± 0.5 at service flow rate

\*HARDNESS WAS USED AS A SURROGATE FOR BARIUM AND RADIUM REDUCTION CLAIMS PER NSF/ANSI STANDARD 44.

#### PRUEBA DE RENDIMIENTO DE ABLANDAMIENTO

RETO	NIVEL PROMEDIO DE AFLUENTE	NIVEL PROMEDIO DE EFLUENTE
DUREZA	335 PPM	8 PPM

NSF/ANSI STANDARD 44 TEST CONDITIONS: 35 ± 5 psi, 65 ± 10°F, pH 7.5 ± 0.5 at service flow rate

#### NOTAS ADICIONALES

- LA LISTA DE SUSTANCIAS QUE ESTA MAQUINA DE TRATAMIENTO REDUCE NO NECESARIAMENTE SIGNIFICA QUE ESTAS SUSTANCIAS ESTAN PRESENTES EN SU SUMINISTRO DE AGUA.
- RESULTADOS ACTUALES PUEDEN VARIAR DE ACUERDO A LAS CONDICIONES LOCALES DEL AGUA.
- LA EFICACIA PROMEDIO DEL SUAVIZANTE DE AGUA ES UNA DEMANDA INICIADA DE LA REGENERACION DE SUAVIZANTE, EL CUAL TAMBIEN CUMPLE CON ESPECIFICADO RENDIMIENTO ESPECIFICO CON LA INTENCION DE MINIMIZAR LA CANTIDAD DE REGENERACION DE SALMUERA Y AGUA USADA EN ESTA OPERACION Y ALCANZAR UN PROMEDIO NO MENOR DE 3,350 GRANOS DEL TOTAL DE DUREZA INTERCAMBIADA POR LIBRA DE CLORURO DE SODIO Y QUE NO DEBE DE REPARTIR MAS SAL QUE EL PROMEDIO ENUMERADO. LA EFICACIA ES MEDIDA POR UNA PRUEBA DE LABORATORIO QUE ES DESCRITA EN NSF/ANSI 44. LA PRUEBA REPRESENTA LA EFICIENCIA MAXIMA POSIBLE QUE EL SISTEMA PUEDE LOGRAR. EFICIENCIA OPERATIVA ES LA ACTUAL EFICIENCIA LOGRADA DESPUES QUE EL SISTEMA HA SIDO INSTALADO Y ES TÍPICAMENTE MENOR QUE LA PROBADA EFICIENCIA DEBIDO A LOS FACTORES INDIVIDUALES DE APLICACION INCLUYENDO LA DUREZA DEL AGUA, AGUA USADA Y OTROS CONTAMINANTES QUE REDUCEN LA CAPACIDAD DEL SUAVIZANTE.
- EL SUAVIZANTE DE AGUA NO ESTA HECHO PARA SER USADO EN TRATAMIENTO DE AGUA QUE ES MICROBIOLOGICAMENTE INSEGURA O DE CALIDAD DESCONOCIDA SIN LA ADECUADA DESINFECCION ANTES Y DESPUES DEL SISTEMA.
- EFICIENCIA DEL SUAVIZANTE ES VALIDA SOLO PARA LA DOSIS DE SAL INDICADA.

EL SISTEMA DEBE SER INSTALADO EN UN AREA NO AFECTADA POR CALOR INTENSO, FRIO U OTROS ELEMENTOS.

ESTE SISTEMA DEBE SER INSTALADO DE ACUERDO CON TODAS LAS LEYES Y REGULACIONES LOCALES Y ESTATALES.

NO INSTALAR EL SISTEMA DONDE EL AGUA ES MICROBIOLOGICAMENTE INSEGURA O DE CALIDAD DESCONOCIDA SIN LA ADECUADA DESINFECCION ANTES O DESPUES DEL SISTEMA.

EL SISTEMA CONTIENE UN INTERCAMBIO DE ION PARA REMOVER LOS CONTAMINANTES ENUMERADOS Y DEBE REGENERARSE PERIODICAMENTE. FAVOR REFERIRSE AL MANUAL DEL PROPIETARIO PARA DETERMINAR LA FRECUENCIA DE REGENERACIONES.

SE RECOMIENDA PARA ESTE SISTEMA SAL EN BLOQUE BLANCA Y PURA. DE NO SER DISPONIBLE PUEDE USARSE SAL EN ROCA LIMPIA, GRUESA O EXTRA GRUESA O SAL SOLAR. NO USE SAL GRANULADA. CONSULTE SU DISTRIBUIDOR DE RAINSOFT POR EL USO DE CLORURO DE POTASIO.

SU DISTRIBUIDOR LOCAL ESTA DISPONIBLE PARA SERVICIO Y GARANTIA PARA REEMPLAZO DE PARTES.

CERTIFICADO NUMERO 06-1803 DEL DEPARTAMENTO DE SERVICIO DE SALUD DEL ESTADO DE CALIFORNIA

PROBADO Y CERTIFICADO POR WQA TO NSF/ANSI STANDARD 44 PARA LOS RECLAMOS ESPECIFICOS DE FUNCIONAMIENTO VERIFICADO Y SUSTENTADO POR LOS DATOS DE PRUEBA.

VER MANUAL DE PROPIETARIO PARA OPERACIONES GENERALES Y REQUISITOS DE MANTENIMIENTO.

VER TARJETA DE GARANTIA PARA INFORMACION ESPECIFICA DE GARANTIA.



#### AVISO IMPORTANTE

LEA ESTA HOJA DE DATOS DE FUNCIONAMIENTO Y COMPARE LAS CAPACIDADES DE ESTA UNIDAD CON LAS NECESIDADES REALES DE TRATAMIENTO DE AGUA. SE RECOMIENDA QUE ANTES DE COMPRAR LA UNIDAD HAGA LA PRUEBA AL AGUA SUMINISTRADA PARA FIJAR LAS NECESIDADES ACTUALES DE TRATAMIENTO DE AGUA.



Tomando la preocupación fuera del agua ... Desde 1953

State of California  
Department of Public Health  
Water Treatment Device  
Certificate Number  
06- 1803

Date Issued: July 28, 2011

**Trademark/Model Designation**

RainSoft EC4 75 CV

**Replacement Elements**

N/A

**Manufacturer:** RainSoft, A Division of Aquion, Inc.

The water treatment device(s) listed on this certificate have met the testing requirements pursuant to Section 116830 of the Health and Safety Code for the following health related contaminants:

**Microbiological Contaminants and Turbidity**

None

**Inorganic/Radiological Contaminants**

Barium

Radium 226/228

**Organic Contaminants**

None

**Rated Service Capacity:** N/A

**Rated Service Flow:** 9.2 gpm

**Conditions of Certification:**

Do not use with water that is microbiologically unsafe or of unknown quality, without adequate disinfection before or after the system.

## EC4 100 CV

### DEMANDA INICIADA DE SISTEMA DE TRATAMIENTO

- VELOCIDAD DE SERVICIO DE FLUJO= 10.0 GPM (37.8 LPM)
- VELOCIDAD ESTIMADA DE FLUJO: 2.0 GPM (7.6 LPM)
- PRESION POR PULGADA CUADRAD GOTA @ VELOCIDAD DE FLUJO: 12.0 psi (0.9 kgf/cm<sup>2</sup>)
- FUNCIONAMIENTO DE SUMINISTRO DE PRESION POR PULGADA CUADRADA: 20 psi - 120 psi (1.47 - 8.45 kgf/cm<sup>2</sup>)
- FUNCIONAMIENTO DE TEMPERATURA: 40° F - 100° F (4.4° C - 38° C)
- ELECTRICO: 24 VAC, 50/60 Hz (COMPUTADORA)
- SAL POR REGENERACION: VARIABLE
- EFICIENCIA: 4,970 GRANOS/LBS. SAL @.3.0 LB DOSIS

#### CAPACIDAD Y AJUSTE DE SAL

CAPACIDAD	SAL
14,900 GRANOS	@ 3.0 LBS. DE SAL
32,300 GRANOS	@ 10.0 LBS. DE SAL
37,700 GRANOS	@ 15.0 LBS. DE SAL

#### LISTA DE CONTAMINANTES REDUCIDA

CONTAMINANTE	USEPA MCL
BARIO*	2 PPM
RADIO 226/228*	5 PCI/L

NSF/ANSI STANDARD 44 TEST CONDITIONS: 35 ± 5 psi, 65 ± 10°F, pH 7.5 ± 0.5 at service flow rate

\*HARDNESS WAS USED AS A SURROGATE FOR BARIUM AND RADIUM REDUCTION CLAIMS PER NSF/ANSI STANDARD 44.

#### PRUEBA DE RENDIMIENTO DE ABLANDAMIENTO

RETO	NIVEL PROMEDIO DE AFLUENTE	NIVEL PROMEDIO DE EFLUENTE
DUREZA	335 PPM	8 PPM

NSF/ANSI STANDARD 44 TEST CONDITIONS: 35 ± 5 psi, 65 ± 10°F, pH 7.5 ± 0.5 at service flow rate

#### NOTAS ADICIONALES

- LA LISTA DE SUSTANCIAS QUE ESTA MAQUINA DE TRATAMIENTO REDUCE NO NECESARIAMENTE SIGNIFICA QUE ESTAS SUSTANCIAS ESTAN PRESENTES EN SU SUMINISTRO DE AGUA.
- RESULTADOS ACTUALES PUEDEN VARIAR DE ACUERDO A LAS CONDICIONES LOCALES DEL AGUA.
- LA EFICACIA PROMEDIO DEL SUAVIZANTE DE AGUA ES UNA DEMANDA INICIADA DE LA REGENERACION DE SUAVIZANTE, EL CUAL TAMBIEN CUMPLE CON ESPECIFICADO RENDIMIENTO ESPECIFICO CON LA INTENCION DE MINIMIZAR LA CANTIDAD DE REGENERACION DE SALMUERA Y AGUA USADA EN ESTA OPERACION Y ALCANZAR UN PROMEDIO NO MENOR DE 3,350 GRANOS DEL TOTAL DE DUREZA INTERCAMBIADA POR LIBRA DE CLORURO DE SODIO Y QUE NO DEBE DE REPARTIR MAS SAL QUE EL PROMEDIO ENUMERADO. LA EFICACIA ES MEDIDA POR UNA PRUEBA DE LABORATORIO QUE ES DESCRITA EN NSF/ANSI 44. LA PRUEBA REPRESENTA LA EFICIENCIA MAXIMA POSIBLE QUE EL SISTEMA PUEDE LOGRAR. EFICIENCIA OPERATIVA ES LA ACTUAL EFICIENCIA LOGRADA DESPUES QUE EL SISTEMA HA SIDO INSTALADO Y ES TÍPICAMENTE MENOR QUE LA PROBADA EFICIENCIA DEBIDO A LOS FACTORES INDIVIDUALES DE APLICACION INCLUYENDO LA DUREZA DEL AGUA, AGUA USADA Y OTROS CONTAMINANTES QUE REDUCEN LA CAPACIDAD DEL SUAVIZANTE.
- EL SUAVIZANTE DE AGUA NO ESTA HECHO PARA SER USADO EN TRATAMIENTO DE AGUA QUE ES MICROBIOLOGICAMENTE INSEGURA O DE CALIDAD DESCONOCIDA SIN LA ADECUADA DESINFECCION ANTES Y DESPUES DEL SISTEMA.
- EFICIENCIA DEL SUAVIZANTE ES VALIDA SOLO PARA LA DOSIS DE SAL INDICADA.

EL SISTEMA DEBE SER INSTALADO EN UN AREA NO AFECTADA POR CALOR INTENSO, FRIO U OTROS ELEMENTOS.

ESTE SISTEMA DEBE SER INSTALADO DE ACUERDO CON TODAS LAS LEYES Y REGULACIONES LOCALES Y ESTATALES.

NO INSTALAR EL SISTEMA DONDE EL AGUA ES MICROBIOLOGICAMENTE INSEGURA O DE CALIDAD DESCONOCIDA SIN LA ADECUADA DESINFECCION ANTES O DESPUES DEL SISTEMA.

EL SISTEMA CONTIENE UN INTERCAMBIO DE ION PARA REMOVER LOS CONTAMINANTES ENUMERADOS Y DEBE REGENERARSE PERIODICAMENTE. FAVOR REFERIRSE AL MANUAL DEL PROPIETARIO PARA DETERMINAR LA FRECUENCIA DE REGENERACIONES.

SE RECOMIENDA PARA ESTE SISTEMA SAL EN BLOQUE BLANCA Y PURA. DE NO SER DISPONIBLE PUEDE USARSE SAL EN ROCA LIMPIA, GRUESA O EXTRA GRUESA O SAL SOLAR. NO USE SAL GRANULADA. CONSULTE SU DISTRIBUIDOR DE RAINSOFT POR EL USO DE CLORURO DE POTASIO.

SU DISTRIBUIDOR LOCAL ESTA DISPONIBLE PARA SERVICIO Y GARANTIA PARA REEMPLAZO DE PARTES.

CERTIFICADO NUMERO 06-1802 DEL DEPARTAMENTO DE SERVICIO DE SALUD DEL ESTADO DE CALIFORNIA

#### AVISO IMPORTANTE

LEA ESTA HOJA DE DATOS DE FUNCIONAMIENTO Y COMPARE LAS CAPACIDADES DE ESTA UNIDAD CON LAS NECESIDADES REALES DE TRATAMIENTO DE AGUA. SE RECOMIENDA QUE ANTES DE COMPRAR LA UNIDAD HAGA LA PRUEBA AL AGUA SUMINISTRADA PARA FIJAR LAS NECESIDADES ACTUALES DE TRATAMIENTO DE AGUA.



PROBADO Y CERTIFICADO POR WQA TO NSF/ANSI STANDARD 44 PARA LOS RECLAMOS ESPECIFICOS DE FUNCIONAMIENTO VERIFICADO Y SUSTENTADO POR LOS DATOS DE PRUEBA.

VER MANUAL DE PROPIETARIO PARA OPERACIONES GENERALES Y REQUISITOS DE MANTENIMIENTO.

VER TARJETA DE GARANTIA PARA INFORMACION ESPECIFICA DE GARANTIA.





Tomando la preocupación fuera del agua ... Desde 1953

State of California  
Department of Public Health  
Water Treatment Device  
Certificate Number  
06- 1802

Date Issued: July 28, 2011

---

---

**Trademark/Model Designation**

RainSoft EC4 100 CV

**Replacement Elements**

N/A

---

---

**Manufacturer:** RainSoft, A Division of Aquion, Inc.

---

---

The water treatment device(s) listed on this certificate have met the testing requirements pursuant to Section 116830 of the Health and Safety Code for the following health related contaminants:

**Microbiological Contaminants and Turbidity**

None

**Inorganic/Radiological Contaminants**

Barium

Radium 226/228

**Organic Contaminants**

None

---

**Rated Service Capacity:** N/A

**Rated Service Flow:** 10.0 gpm

---

**Conditions of Certification:**

Do not use with water that is microbiologically unsafe or of unknown quality, without adequate disinfection before or after the system.

## EC4 150 CV

### REQUERIMIENTO INICIAL DEL SISTEMA DE TRATAMIENTO

- VELOCIDAD DE SERVICIO DE FLUJO= 10.4 GPM (39.4 LPM)
- VELOCIDAD DE VACIADO DE FLUJO: 2.0 GPM 6 LPM)
- PRESION POR PULGADA CUADRADA GOTA @VELOCIDAD DE FLUJO: 15.0 psi (1.1 kgf/cm<sup>2</sup>)
- FUNCIONAMIENTO DE SUMINISTRO DE PRESION POR PULGADA CUADRADA 20 PSI-120 psi(1.47 - 8.45 kgf/cm<sup>2</sup>)
- FUNCIONAMIENTO DE TEMPERATURA: 40° F - 100° F (4.4° C - 38° C)
- ELECTRICO: 24 VAC, 50/60 Hz (COMPUTADORA)
- SAL POR REGENERACION: VARIABLE
- EFICIENCIA: 4,970 GRANOS/LBS. SAL @ 4.5 LBS. DOSIS

### CAPACIDAD Y AJUSTE DE SAL

CAPACIDAD	SAL
22,400 GRANOS	@ 4.5 LBS. DE SAL
48,500 GRANOS	@ 15.0 LBS. DE SAL
56,600 GRANOS	@ 22.5 LBS. DE SAL

#### LISTA DE CONTAMINANTES REDUCIDA

CONTAMINANTE	USEPA MCL
BARIO*	2 PPM
RADIO 226/228*	5 PCI/L

NSF/ANSI STANDARD 44 TEST CONDITIONS: 35 ± 5 psi, 65 ± 10°F, pH 7.5 ± 0.5 at service flow rate

\*HARDNESS WAS USED AS A SURROGATE FOR BARIUM AND RADIUM REDUCTION CLAIMS PER NSF/ANSI STANDARD 44.

#### PRUEBA DE RENDIMIENTO DE ABLANDAMIENTO

RETO	NIVEL PROMEDIO DE AFLUENTE	NIVEL PROMEDIO DE EFLUENTE
DUREZA	335 PPM	8 PPM

NSF/ANSI STANDARD 44 TEST CONDITIONS: 35 ± 5 psi, 65 ± 10°F, pH 7.5 ± 0.5 at service flow rate

#### NOTAS ADICIONALES

- LA LISTA DE SUSTANCIAS QUE ESTA MAQUINA DE TRATAMIENTO REDUCE NO NECESARIAMENTE SIGNIFICA QUE ESTAS SUSTANCIAS ESTAN PRESENTES EN SU SUMINISTRO DE AGUA.
- RESULTADOS ACTUALES PUEDEN VARIAR DE ACUERDO A LAS CONDICIONES LOCALES DEL AGUA.
- LA EFICACIA PROMEDIO DEL SUAVIZANTE DE AGUA ES UNA DEMANDA INICIADA DE LA REGENERACION DE SUAVIZANTE, EL CUAL TAMBIEN CUMPLE CON ESPECIFICADO RENDIMIENTO ESPECIFICO CON LA INTENCION DE MINIMIZAR LA CANTIDAD DE REGENERACION DE SALMUERA Y AGUA USADA EN ESTA OPERACION Y ALCANZAR UN PROMEDIO NO MENOR DE 3,350 GRANOS DEL TOTAL DE DUREZA INTERCAMBIADA POR LIBRA DE CLORURO DE SODIO Y QUE NO DEBE DE REPARTIR. MAS SAL QUE EL PROMEDIO ENUMERADO. LA EFICACIA ES MEDIDA POR UNA PRUEBA DE LABORATORIO QUE ES DESCRITA EN NSF/ANSI 44. LA PRUEBA REPRESENTA LA EFICIENCIA MAXIMA POSIBLE QUE EL SISTEMA PUEDE LOGRAR. EFICIENCIA OPERATIVA ES LA ACTUAL EFICIENCIA LOGRADA DESPUES QUE EL SISTEMA HA SIDO INSTALADO Y ES TÍPICAMENTE MENOR QUE LA PROBADA EFICIENCIA DEBIDO A LOS FACTORES INDIVIDUALES DE APLICACION INCLUYENDO LA DUREZA DEL AGUA, AGUA USADA Y OTROS CONTAMINANTES QUE REDUCEN LA CAPACIDAD DEL SUAVIZANTE.
- EL SUAVIZANTE DE AGUA NO ESTA HECHO PARA SER USADO EN TRATAMIENTO DE AGUA QUE ES MICROBIOLOGICAMENTE INSEGURA O DE CALIDAD DESCONOCIDA SIN LA ADECUADA DESINFECCION ANTES Y DESPUES DEL SISTEMA.
- EFICIENCIA DEL SUAVIZANTE ES VALIDA SOLO PARA LA DOSIS DE SAL INDICADA.

EL SISTEMA DEBE SER INSTALADO EN UN AREA NO AFECTADA POR CALOR INTENSO, FRIO U OTROS ELEMENTOS.

ESTE SISTEMA DEBE SER INSTALADO DE ACUERDO CON TODAS LAS LEYES Y REGULACIONES LOCALES Y ESTATALES.

NO INSTALAR EL SISTEMA DONDE EL AGUA ES MICROBIOLOGICAMENTE INSEGURA O DE CALIDAD DESCONOCIDA SIN LA ADECUADA DESINFECCION ANTES O DESPUES DEL SISTEMA.

EL SISTEMA CONTIENE UN INTERCAMBIO DE ION PARA REMOVER LOS CONTAMINANTES ENUMERADOS Y DEBE REGENERARSE PERIODICAMENTE. FAVOR REFERIRSE AL MANUAL DEL PROPIETARIO PARA DETERMINAR LA FRECUENCIA DE REGENERACIONES.

SE RECOMIENDA PARA ESTE SISTEMA SAL EN BLOQUE BLANCA Y PURA. DE NO SER DISPONIBLE PUEDE USARSE SAL EN ROCA LIMPIA, GRUESA O EXTRA GRUESA O SAL SOLAR. NO USE SAL GRANULADA. CONSULTE SU DISTRIBUIDOR DE RAINSOFT POR EL USO DE CLORURO DE POTASIO.

SU DISTRIBUIDOR LOCAL ESTA DISPONIBLE PARA SERVICIO Y GARANTIA PARA REEMPLAZO DE PARTES.

CERTIFICADO NUMERO 06-1801 DEL DEPARTAMENTO DE SERVICIO DE SALUD DEL ESTADO DE CALIFORNIA

PROBADO Y CERTIFICADO POR WQA TO NSF/ANSI STANDARD 44 PARA LOS RECLAMOS ESPECIFICOS DE FUNCIONAMIENTO VERIFICADO Y SUSTENTADO POR LOS DATOS DE PRUEBA.

VER MANUAL DE PROPIETARIO PARA OPERACIONES GENERALES Y REQUISITOS DE MANTENIMIENTO.

VER TARJETA DE GARANTIA PARA INFORMACION ESPECIFICA DE GARANTIA.



#### AVISO IMPORTANTE

LEA ESTA HOJA DE DATOS DE FUNCIONAMIENTO Y COMPARE LAS CAPACIDADES DE ESTA UNIDAD CON LAS NECESIDADES REALES DE TRATAMIENTO DE AGUA. SE RECOMIENDA QUE ANTES DE COMPRAR LA UNIDAD HAGA LA PRUEBA AL AGUA SUMINISTRADA PARA FIJAR LAS NECESIDADES ACTUALES DE TRATAMIENTO DE AGUA.



Tomando la preocupación fuera del agua ... Desde 1953

State of California  
Department of Public Health  
Water Treatment Device  
Certificate Number  
06- 1801  
Date Issued: July 28, 2011

---

---

**Trademark/Model Designation**

RainSoft EC4 150 CV

**Replacement Elements**

N/A

---

---

**Manufacturer:** RainSoft, A Division of Aquion, Inc.

---

---

The water treatment device(s) listed on this certificate have met the testing requirements pursuant to Section 116830 of the Health and Safety Code for the following health related contaminants:

**Microbiological Contaminants and Turbidity**

None

**Inorganic/Radiological Contaminants**

Barium  
Radium 226/228

**Organic Contaminants**

None

---

**Rated Service Capacity:** N/A

**Rated Service Flow:** 10.4 gpm

---

**Conditions of Certification:**

Do not use with water that is microbiologically unsafe or of unknown quality, without adequate disinfection before or after the system.



RainSoft División de Aquion, Inc.  
2080 Avenida Este Lunt  
Elk Grove Village, Illinois, EEUU 60007  
Principal Comutador: 1.847.437.9400  
Servicio al Cliente: 1.800.860.7638  
[www.rainsoft.com](http://www.rainsoft.com)