



**AUTOTROL
255 LOGIX 740-760**



INSTALLER MANUAL

Table of content

1.	Generalities	6
1.1.	Scope of the documentation	6
1.2.	Release management	6
1.3.	Manufacturer identifier, product	6
1.4.	Intended use	6
1.5.	Abbreviations used	7
1.6.	Norms	7
1.6.1.	Applicable norms	7
1.6.2.	Available certificates	7
1.7.	Procedure for technical support	8
1.8.	Copyright	8
1.9.	Limitation of liability	8
1.10.	Scan & Service application	9
2.	Safety	10
2.1.	Safety pictograms definition	10
2.2.	Serial and safety tags location	10
2.3.	Hazards	11
2.3.1.	Personnel	11
2.3.2.	Material	11
2.4.	Hygiene and sanitization	11
2.4.1.	Sanitary issues	11
2.4.2.	Hygiene measures	12
3.	Description	13
3.1.	Technical specifications	13
3.1.1.	Performance flow rate characteristics	14
3.2.	Outline drawing	15
3.3.	Description and components location	16
3.4.	System regeneration cycle (8-cycles operation)	17
4.	System sizing	19
4.1.	Recommendations	19
4.1.1.	Injector/DLFC/Refill flow controler-Valve configuration	19
4.2.	Cycle time calculation	19
4.3.	Injector flow rates (tables)	20
4.4.	Salt amount definition	22

5.	Installation	23
5.1.	Safety notices for installation	23
5.2.	Installation environment	23
5.2.1.	General	23
5.2.2.	Electrical	23
5.2.3.	Mechanical	24
5.2.4.	Outdoor Locations	24
5.3.	Integration constraints	25
5.4.	Block diagram and configuration example	26
5.5.	Valve connection to piping	27
5.5.1.	Top-mounted valve installation	27
5.6.	Connections (electrical)	29
5.7.	Bypassing	29
5.8.	Drain line connection	30
5.9.	Overflow line connection	31
5.10.	Brine line connection	32
6.	Programming	33
6.1.	Display	33
6.2.	Commands	35
6.3.	Basic programming	36
6.3.1.	Basic programming mode chart	36
6.3.2.	Program system size	37
6.3.3.	Time setting and winter time - summer time change	37
6.3.4.	Day of week	38
6.3.5.	Regeneration time	38
6.3.6.	Days to regenerate (740 time-clock controller only)	38
6.3.7.	Calendar override (760 on-demand controller only)	39
6.3.8.	Amount of brine used per regeneration	39
6.3.9.	Estimated capacity	40
6.3.10.	Hardness (760 on-demand controller only)	40
6.4.	Advanced programming	41
6.4.1.	Master setting reference chart	42
6.4.2.	Cycle time programming	43
6.4.3.	Diagnostic	44
6.4.4.	Resetting the controller	44

7.	Commissioning	45
7.1.	Water filling, draining and waterproofness inspection	45
7.1.1.	Activating the softener	45
7.1.2.	Additional tips	47
7.2.	Sanitization	47
7.2.1.	Disinfection of water softeners	47
7.2.2.	Sodium or calcium hypochlorite	48
7.2.3.	Electro chlorination	48
8.	Operation	49
8.1.	Recommendations	49
8.2.	Manual regeneration	49
8.3.	To advance regeneration cycles	50
8.4.	To cancel a regeneration	50
9.	Maintenance	51
9.1.	General system inspection	51
9.1.1.	Water quality	51
9.1.2.	Mechanical Checks	51
9.1.3.	Regeneration test	52
9.2.	Recommended maintenance plan	52
9.3.	Recommendations	54
9.3.1.	Use original spare parts	54
9.3.2.	Use original approved lubricants	54
9.3.3.	Maintenance instructions	54
9.4.	Cleaning and maintenance	54
9.4.1.	First steps	54
9.4.2.	Injector cleaning	55
9.4.3.	Refill controller cleaning	55
9.4.4.	Injector screen cap cleaning	56
9.4.5.	Backwash controller cleaning	56
9.4.6.	Air check valve cleaning	57
9.4.7.	Valve from tank disassembly	58
9.4.8.	Motor and camshaft replacement	59
9.4.9.	Optical sensor and controller replacement	60
9.4.10.	Top plate and disc valve replacement	61
9.4.11.	Valve on tank assembly	62
10.	Troubleshooting	63

11.	Spare parts	67
11.1.	Valve parts list	67
11.2.	Options and special kits	70
12.	Disposal	75

1. Generalities

1.1. Scope of the documentation

The documentation provides the necessary information for appropriate use of the product. It informs the user to ensure efficient execution of the installation, operation or maintenance procedures.

The content of this document is based on the information available at the time of publication. The original version of the document was written in English.

For safety and environmental protection reasons, the safety instructions given in this documentation must be strictly followed.

This manual is a reference and will not include every system installation situation. The person installing this equipment should have:

- training in the 700 Logix series controllers and water softener installation;
- knowledge of water conditioning and how to determine proper controller settings;
- basic plumbing skills.

This document is available in other languages on <https://www.pentairaquaeurope.com/product-finder/product-type/control-valves>.

1.2. Release management

Revision	Date	Authors	Description
A	18.11.2016	STF/FLA	First edition.
B	23.05.2018	BRY/FLA	Address change, Bleam information and valve on tank assembly.
C	08.10.2019	STF	General corrections.

1.3. Manufacturer identifier, product

Manufacturer: Pentair International LLC
 Avenue de Sevelin 18
 1004 Lausanne
 Switzerland

Product: 255-LOGIX 740-760

1.4. Intended use

The device is intended to be used for domestic applications only and it is purpose-built for water treatment.

1.5. Abbreviations used

BLFC	Brine Line Flow Controller
DF	Down Flow
DLFC	Drain Line Flow Controller
Inj	Injector
PN	Part Number
QC	Quick Connect
Regen	Regeneration
SBV	Safety Brine Valve
TC	Time Clock
UF	Up Flow

1.6. Norms

1.6.1. Applicable norms

Comply with the following guidelines:

- 2006/42/EC: Machinery Directive;
- 2014/35/UE: Low Voltage Directive;
- 2014/30/UE: Electromagnetic compatibility;
- 2011/65/EC: Restriction of use of certain hazardous substances in electrical and electronic equipment (RoHS).
- UNI EN ISO9001.

Meets the following technical standards:

- IEC/EN 60335-1
- IEC 61010-1
- EN 55014-1
- EN 55014-2
- EN 61000-3-2: 2006 + A1: 2009 + A2: 2009
- EN 61000-3-3: 2008
- EN 61000-6-2: 2005
- EN 61000-6-3: 2007 + A1: 2011
- EN 61326-1

1.6.2. Available certificates

- CE
- DM174
- ACS

Please find beside the certifications for some of our product families. Please note that this list is not an exhaustive list of all our certifications. In case of need for more information please contact us.



1.7. Procedure for technical support

Procedure to follow for any technical support request:

- A** Collect the required information for a technical assistance request.
 - Product identification [see 2.2. Serial and safety tags location, page 10 and 9.3. Recommendations, page 54];
 - Problem description of the device.
- B** Please refer to the "Troubleshooting" chapter, page 63. If the problem persists contact your supplier.

1.8. Copyright

© 2019 Pentair International Sàrl All rights reserved.

1.9. Limitation of liability

Pentair Quality System EMEA products benefit, under specific conditions, from a manufacturer warranty that may be invoked by Pentair's direct customers. Users should contact the vendor of this product for applicable conditions and in case of a potential warranty claim.

Any warranty provided by Pentair regarding the product will become invalid in case of:



- improper installation, improper programming, improper use, improper operation and/or maintenance leading to any kind of product damages;
- improper or unauthorized intervention on the controller or components;
- incorrect, improper or wrong connection/assembly of systems or products with this product and vice versa;
- use of a non-compatible lubricant, grease or chemicals of any type and not listed by the manufacturer as compatible for the product;
- failure due to wrong configuration and/or sizing.

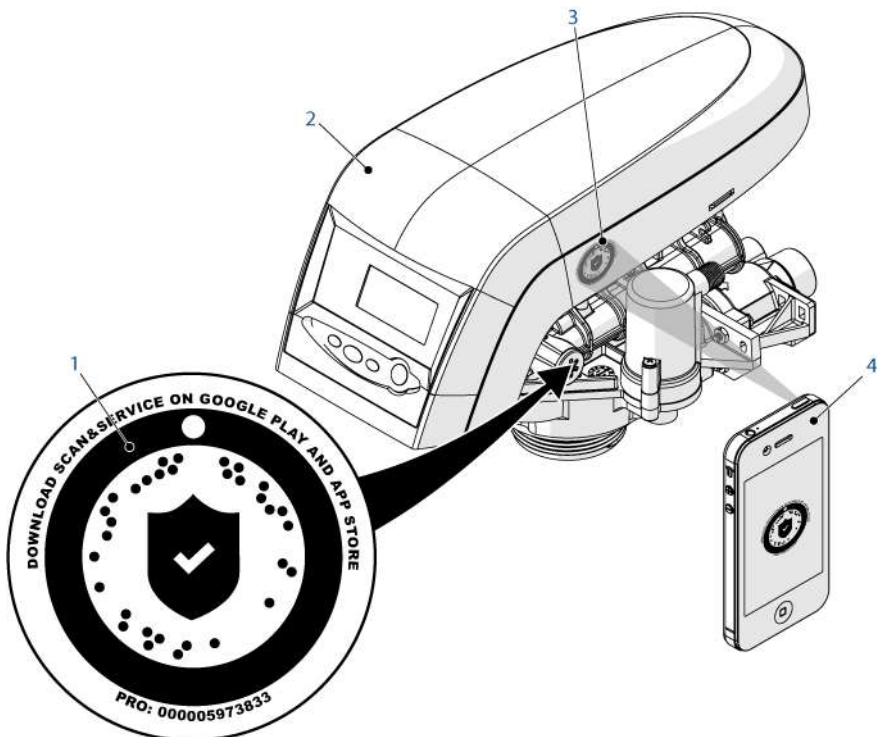
Pentair accepts no liability for equipment installed by the user upstream or downstream of Pentair products, as well as for process/production processes which are installed and connected around or even related to the installation. Disturbances, failures, direct or indirect damages that are caused by such equipment or processes are also excluded from the warranty. Pentair shall not accept any liability for any loss or damage of profits, revenues, use, production, or contracts, or for any indirect, special or consequential loss or damage whatsoever. Please refer to the Pentair List Price to know more about terms and conditions applicable to this product.

1.10. Scan & Service application

Scan & Service mobile application is the ideal support for the maintenance person in his daily business. A simple scan of an identification (ID) label (1) present on the valve (2) with a smartphone gives an instantaneously access to all updated information related to the product, such as:

- valve's and tanks detailed configuration;
- manuals;
- spare parts lists;
- troubleshooting recommendations;
- multi-lingual videos, detailing how to best service a part;
- informations about new products, latest technologies, novelties about the Blue Network program, etc....

No.	Operation
A	Download the application "Scan & Service" from  or  in a smartphone (4).
B	Open the application "Scan & Service".
C	Scan the bleam (3) stuck on the valve (2).
D	Navigate to find information.



2. Safety

2.1. Safety pictograms definition



Caution

Warns of a risk of minor injury or major material damage to the device or environment.



Warning

Warns against serious personal injury and damage to health.



Danger

Warns against serious personal injury or death.



Mandatory

Standard or measure to apply.



Note

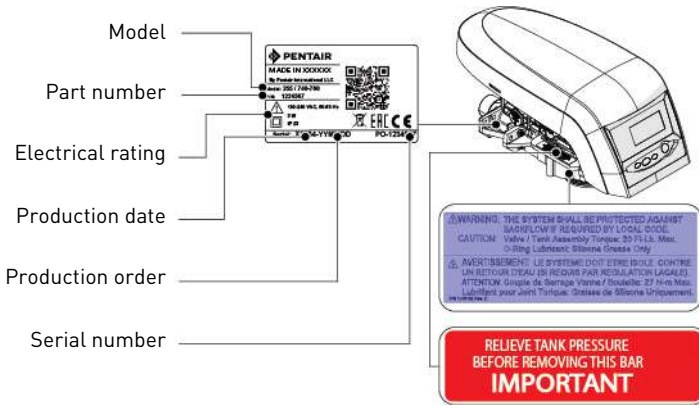
Comment.



Prohibition

Restriction to be observed.

2.2. Serial and safety tags location



Note

Ensure that the serial label and the safety tags on the device are completely legible and clean. If necessary, replace them with new tags and put them in the same places.

2.3. Hazards

All the safety and protection instructions contained in this document must be observed in order to avoid temporary or permanent injury, damage to property or environmental pollution.

At the same time, any other legal regulations, accident prevention and environmental protection measures, as well as any recognized technical regulations relating to appropriate and risk-free methods of working which apply in the country and place of use of the device must be adhered to.

Any non-observation of the safety and protection rules, as well as any existing legal and technical regulations, will result in a risk of temporary or permanent injury, damage to property or environmental pollution.

2.3.1. Personnel



Caution

Only qualified and professional personnel, based on their training, experience and instruction as well as their knowledge of the regulations, the safety rules and operations performed, are authorized to carry out necessary work.

2.3.2. Material

The following points must be observed to ensure proper operation of the system and the safety of user:

- do not remove the locking bar;
- be careful of high voltages present on the transformer (230V);
- do not put your fingers in the system (risk of injuries with moving parts and shock due to electric voltage).

2.4. Hygiene and sanitization

2.4.1. Sanitary issues

Preliminary checks and storage

- Check the integrity of the packaging. Check that there is no damage and no signs of contact with liquid to make sure that no external contamination occurred;
- the packaging has a protective function and must be removed just before installation. For transportation and storage appropriate measures should be adopted to prevent the contamination of materials or objects themselves.

Assembly

- Assemble only with components which are in accordance with DM 174 and ACS;
- after installation and before use, perform one or more manual regenerations in order to clean the media bed. During such operations, do not use the water for human consumption. Perform a disinfection of the system in the case of installations for treatment of drinking water for human use.

**Note**

This operation must be repeated in the case of ordinary and extraordinary maintenance. It should also be repeated whenever the system remains idle for a significant time.

**Note**

Valid only for Italy: In case of equipment used in accordance with the DM25, apply all the signs and obligations arising from the DM25.

2.4.2. Hygiene measures**Disinfection**

- The materials used for the construction of our products meet the standards for use with potable water; the manufacturing processes are also geared to preserving these criteria. However, the process of production, distribution, assembly and installation, may create conditions of bacterial proliferation, which may lead to odor problems and water contamination;
- it is therefore strongly recommended to sanitize the products. See 7.2. Sanitization, page 47;
- maximum cleanliness is recommended during the assembly and installation;
- for disinfection, use Sodium or Calcium Hypochlorite and perform a manual regeneration.

3. Description

3.1. Technical specifications

Design specifications/ratings

Valve body	Glass-filled Noryl® - NSF listed material
Rubber components	Compounded for cold water - NSF listed material
Valve material certification	WQA Gold Seal Certified to ORD 0902, NSF/ANSI 44, CE, ACS
Weight (valve with controller).....	1.8 kg
Recommended operating pressure	1.4 - 8.6 bar
Hydrostatic test pressure	20.69 bar
Water temperature	1 - 38°C
Ambient temperature	2 - 50°C

Flow rates (valve only)

Service at 1.03 bar (15 psi) drop	3.52 m ³ /h
Backwash at 1.72 bar (25 psi) drop	1.36 m ³ /h
Service	Kv = 3.4 m ³ /h (Cv = 3.99 gpm)
Backwash.....	Kv = 1.0 m ³ /h (Cv = 1.20 gpm)

Valve connections

Tank Adapter Thread.....	63.5 mm (2½") - 8, male
Inlet/Outlet Manifold	25.4 mm (1") NPT or BSPT, female (brass or thermoplastic) 19 mm (¾") NPT or BSPT, male (thermoplastic) 2.7 (1½") NPT or BSPT, male (thermoplastic) Drain line 12.7 mm (½") (manifold dependent)
Brine line	9.5 mm (⅜") NPT as standard, 6.35 mm (¼") NPT optional; air check built onto valve
Riser tube [Ø].....	27 mm (1.050") standard, or 20.6 mm (0.8125") optional with extra insert
Riser tube [length].....	29 mm ± 3 mm (1⅛ ± ⅛") above top of tank

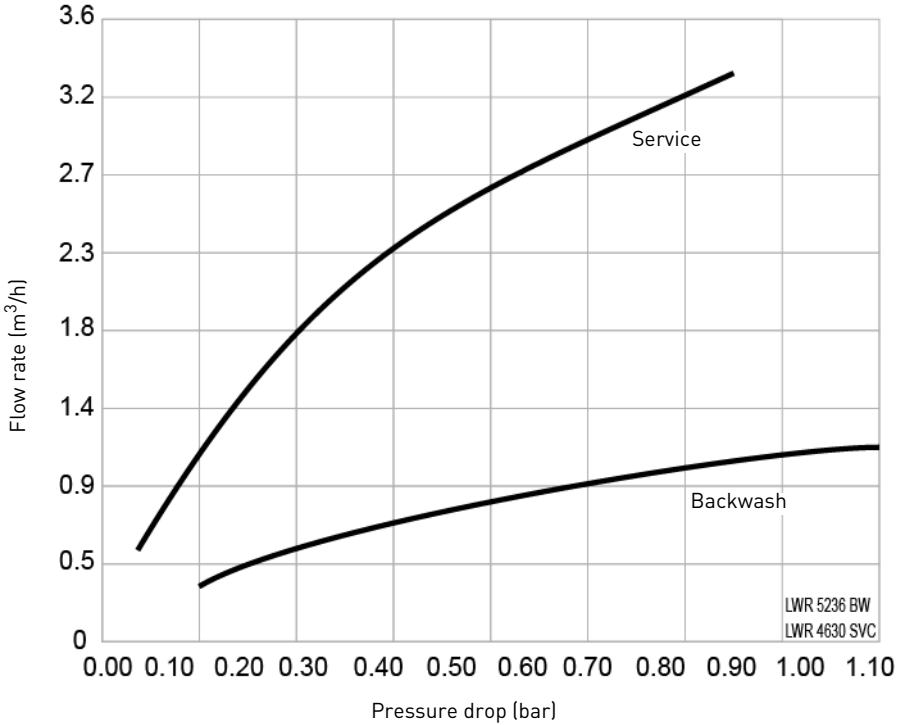
Electrical

Controller Operating Voltage	12 VAC (requires use of Pentair Water supplied transformer)
Input Supply Frequency.....	50 or 60 Hz (controller configuration dependent)
Motor Input Voltage	12 VAC
Controller Power Consumption	3 W average
Protection rating.....	IP23

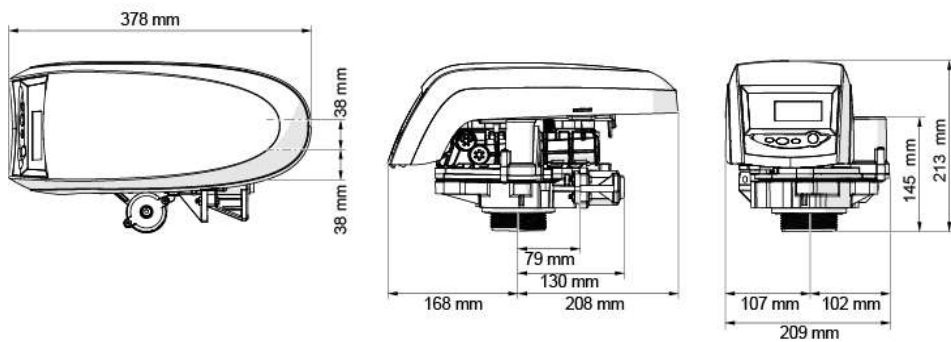
3.1.1. Performance flow rate characteristics

The graph shows the pressure drop created by the valve itself at different flow rates. It makes it possible to predetermine the maximum flow rate going through the valve depending on the system settings (inlet pressure etc). It also makes it possible to determine the valve pressure drop at a given flow rate, and therefore to evaluate the system pressure drop vs flow rate.

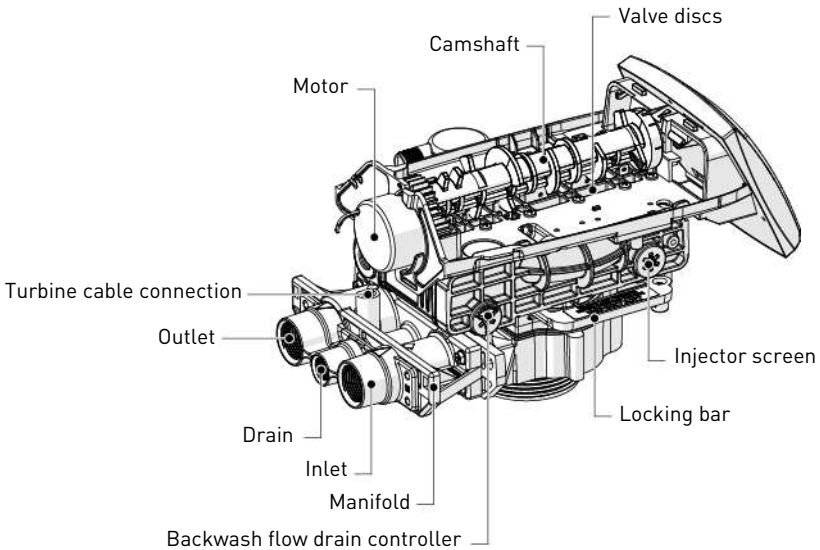
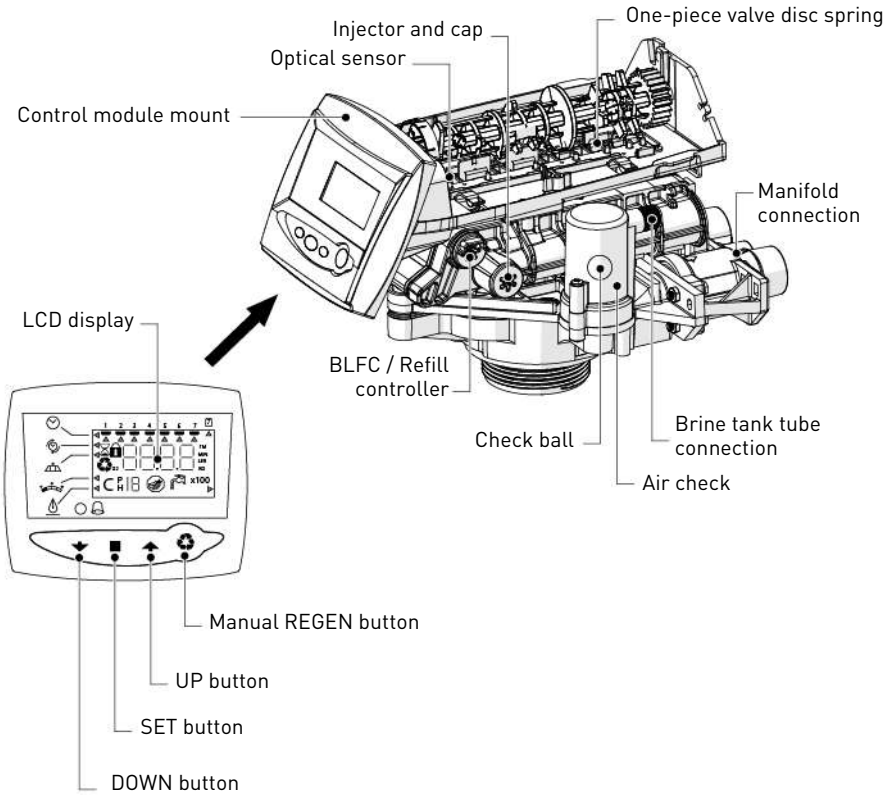
FLOW RATE VS PRESSURE DROP



3.2. Outline drawing



3.3. Description and components location



3.4. System regeneration cycle (8-cycles operation)

Service (downflow) — cycle C0

Untreated water is directed down through the resin bed and up through the riser tube. The hardness ions attach themselves to the resin and are removed from the raw water being exchanged on the resin beads towards sodium ions. The water is conditioned as it passes through the resin bed.

Backwash (upflow) — cycle C1

The flow of water is reversed by the valve and directed down the riser tube and up through the resin bed. During the backwash cycle, the bed is expanded and debris is flushed to the drain, while the media bed is remixed.

Brine draw & slow rinse — cycle C2-C3

The controller directs water through the brine injector and brine is drawn from the brine tank. The brine is then directed down through the resin bed and up through the riser tube to the drain. The hardness ions are displaced by sodium ions and are sent to the drain. When the air check valve closes brine drawing finishes, and then the slow rinse phase starts. The resin is regenerated during the brine draw and slow rinse cycles.

Repressurize cycle (hard water bypass flapper open) — cycle C4

This cycle allows the air and water to hydraulically balance in the valve before continuing the regeneration.

Fast rinse (downflow) — cycle C5

The controller valve directs water down through the resin bed and up through the riser tube to the drain. Any residual brine is rinsed from the resin bed, while the media bed is re-compacted.

2nd Backwash (upflow) — cycle C6

2nd Fast rinse (downflow) — cycle C7

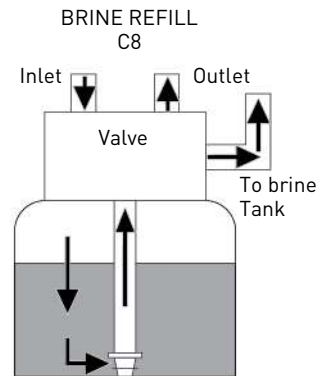
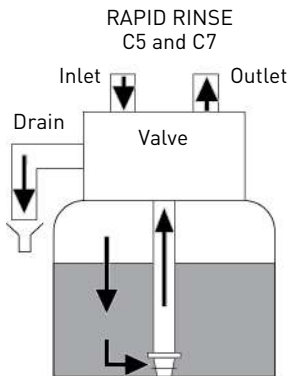
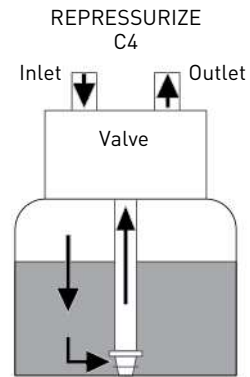
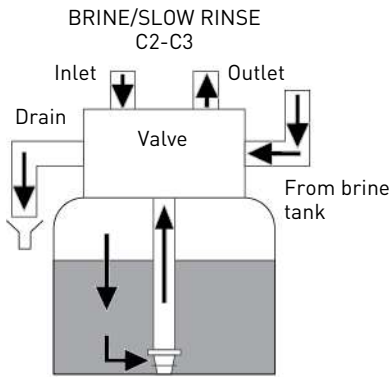
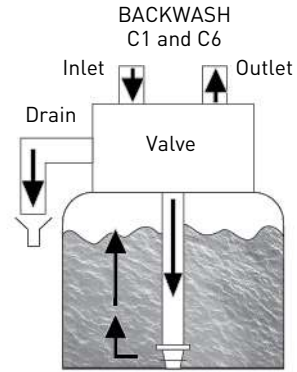
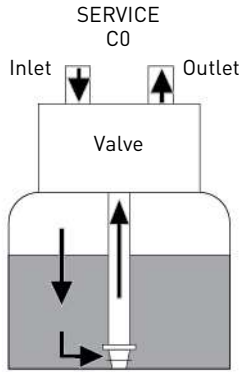
Brine refill — cycle C8

Water is directed to the brine tank at a rate controlled by the refill controller, to create brine for the next regeneration. During brine refill, treated water is already available at the valve outlet.



Note

For illustration purpose only. Always verify inlet and outlet marking on the valve.



4. System sizing

4.1. Recommendations

4.1.1. Injector/DLFC/Refill flow controler-Valve configuration

Vessel diameter [In]	Media volume [L]	Injector Flow control	Refill flow control [gpm]	Backwash flow control [gpm]
6	5/10	E [yellow]	0.33	0.9
7	15	F [peach]	0.33	1.2
8	20	G [tan]	0.33	1.6
9	30	H [lt purple]	0.33	2.0
10	35	J [lt blue]	0.33	2.5
12	40	K [pink]	0.33	3.5
13	50	L [orange]	0.33	4.1
14	80	L [orange]	0.33	4.8

4.2. Cycle time calculation

All the Logix controller range automatically calculates the unit capacity as well as the cycle time. No calculations are therefore required.

4.3. Injector flow rates (tables)

The following tables represent the injectors flow rate as a function of the inlet pressure for the different injector sizes.

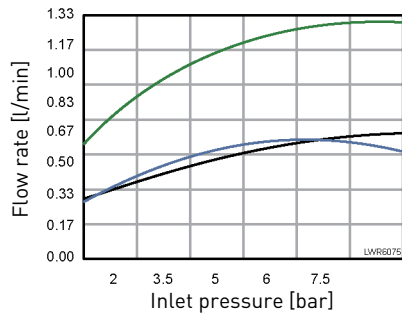
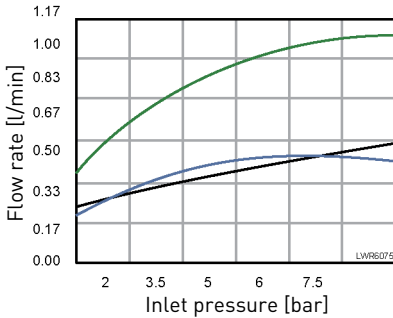
TOTAL

BRINE DRAW

RINSE

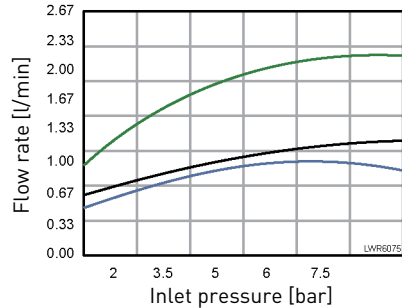
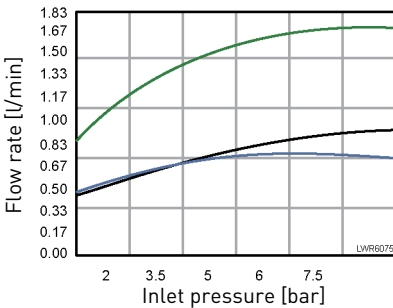
Injector "E" (Yellow)
For 6" Tanks

Injector "F" (Peach)
For 7" Tanks



Injector "G" (Tan)
For 8" Tanks

Injector "H" (Light Purple)
For 9" Tanks



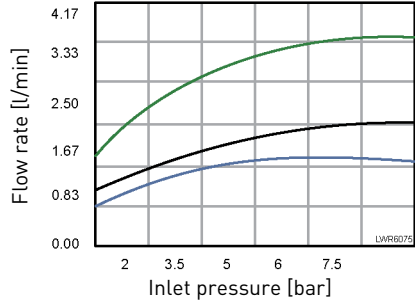
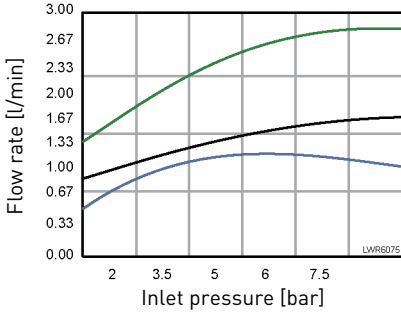
TOTAL

BRINE DRAW

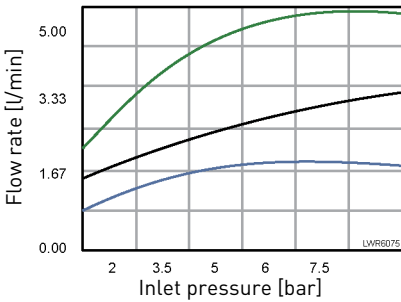
RINSE

Injector "J" (Light Blue)
For 10" Tanks

Injector "K" (Pink)
For 12" Tanks



Injector "L" (Orange)
For 13" and 14" Tanks



4.4. Salt amount definition

3 salt settings are available on 740 and 760 controls:

Settings	Amount of brine used	Equivalent CaCO ₃
L - (Low Salt)	45 [g _{salt} /L _{resin}]	30 [g/L]
S - (Standard Salt)	120 [g _{salt} /L _{resin}]	60.2 [g/L]
H - (High Salt)	200 [g _{salt} /L _{resin}]	75.2 [g/L]

5. Installation

5.1. Safety notices for installation

- Observe all warnings that appear in this manual;
- only qualified and professional personnel are authorized to carry out installation work.

5.2. Installation environment

5.2.1. General

- Use only brine salts designed for water softening. Do not use ice melt salt, block, or rock salts;
- keep the media tank in the upright position. Do not turn on its side, upside down, or drop. Turning the tank upside down may cause media to enter the valve or might plug the upper screen;
- follow State and local codes for water testing. Do not use water that is micro-biologically unsafe or of unknown quality;
- when filling media tank, first place the control valve in backwash position, then do not open water valve completely. Fill tank slowly to prevent media from exiting the tank;
- when installing the water connection (bypass or manifold) connect to the plumbing system first. Allow heated parts to cool and cemented parts to set before installing any plastic parts. Do not get primer or solvent on O-rings, nuts, or the valve.

5.2.2. Electrical

There are no user-serviceable parts in the AC transformer, motor, or controller. In the event of a failure, these should be replaced.

- All electrical connections must be completed according to local codes;
- use only the power AC transformer that is supplied;



Mandatory

The use of any other power transformer than the one supplied void the warranty of all electronic parts of the valve.

- the power outlet must be grounded;
- to disconnect power, unplug the AC transformer from its power source.

5.2.3. Mechanical

- Do not use petroleum-based lubricants such as vaseline, oils, or hydrocarbon-based lubricants. Use only 100% silicone lubricants;
- all plastic connections should be hand tightened. PTFE (plumber's tape) may be used on connections that do not use an O-ring seal. Do not use pliers or pipe wrenches;
- all plumbing must be completed according to local codes;
- soldering near the drain line should be done before connecting the drain line to the valve. Excessive heat will cause interior damage to the valve;
- If the backwash flow rate exceeds 22.7 lpm or if the unit is located 6.1-12.2 m from the drain, use 19 mm (3/4") tubing. Use appropriate fittings to connect the 19 mm (3/4") tubing to the 19 mm (3/4") NPT drain connection on the valve;
- do not use lead-based solder for sweat solder connections;
- the drain line must be a minimum of 12.7 mm (1/2") in diameter. Use 19 mm (3/4") pipe if the backwash flow rate is greater than 26.5 lpm or the pipe length is greater than 6 m;
- do not support the weight of the system on the control valve fittings, plumbing, or the bypass;
- it is not recommended to use sealants on the threads. Use PTFE (plumber's tape) on the threads of the 25.4 mm (1") NPT elbow, the drain line connections, and other NPT/BSP threads.

5.2.4. Outdoor Locations

When the water conditioning system is installed outdoors, several points must be considered.

- Moisture — The valve and 700 controller are rated for NEMA 3 locations. Falling water should not affect performance. The system is not designed to withstand extreme humidity or water spray from below. Examples are: constant heavy mist, near corrosive environment, upwards spray from sprinkler;
- direct sunlight — The materials used will fade or discolour over time in direct sunlight. The integrity of the materials will not degrade to cause system failures. If it is necessary to locate the softener in direct sunlight, a protective outdoor cover (PN 1267811) over the valve and controller is necessary;
- temperature — Extreme hot or cold temperatures may cause damage to the valve or controller. Freezing temperatures will freeze the water in the valve. This will cause physical damage to the internal parts as well as the plumbing. High temperatures will affect the controller. The display may become unreadable but the controller should continue to function. When the temperature drops back into normal operating limits the display will return to normal. A protective cover (PN 1267811) should assist with high temperature applications;
- insects — The controller and valve have been designed to keep all but the smallest insects out of the critical areas. Any holes in the top plate can be covered with a metal foil ductwork tape. The top cover should be installed securely in place;
- wind — The Logix cover is designed to withstand a 48 km/h wind when properly installed on the valve.

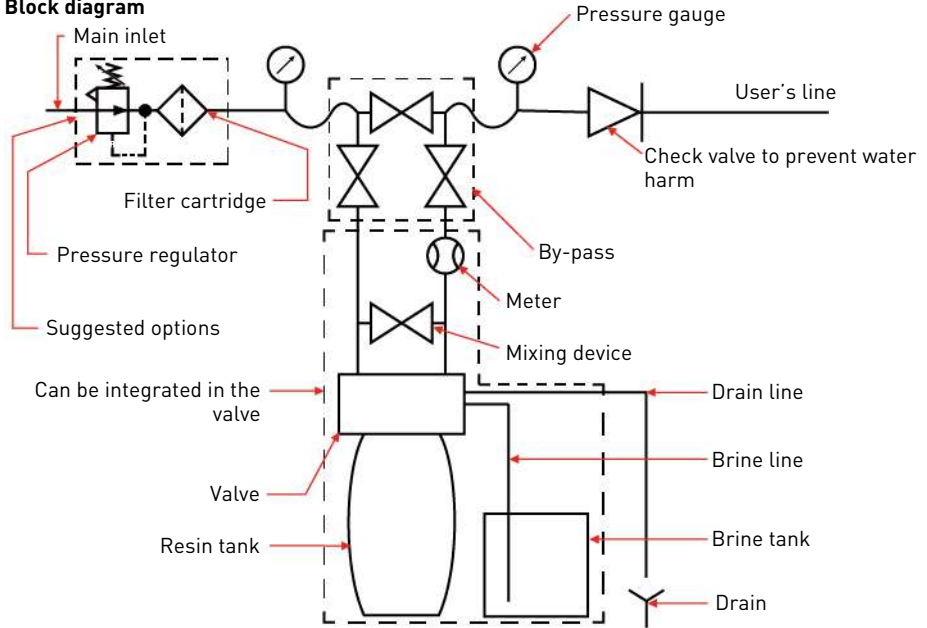
5.3. Integration constraints

Location of a water treatment system is important. The following conditions are required:

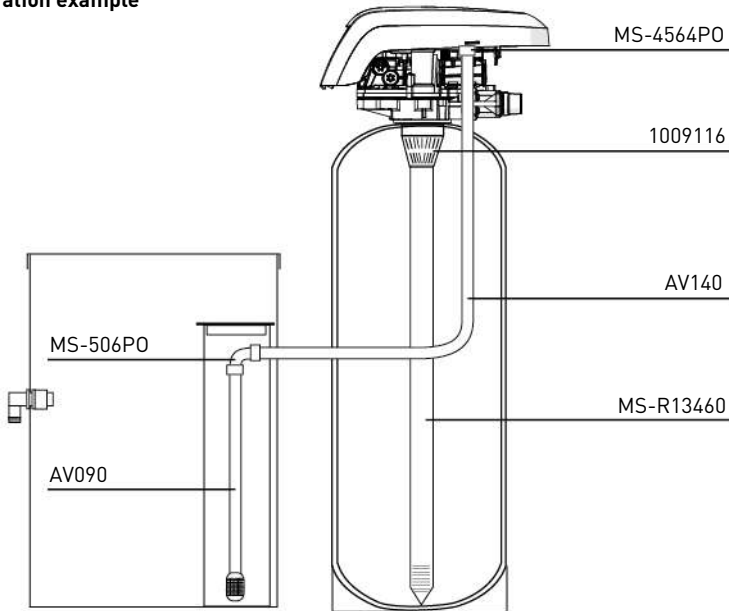
- level platform or floor;
- room to access equipment for maintenance and adding brine (salt) to tank;
- constant electrical supply to operate the controller;
- total minimum pipe run to water heater of 3 m to prevent backup of hot water into system;
- always install check valve to protect the softener from hot water return;
- local drain for discharge as close as possible;
- water line connections with shut off or bypass valves;
- must meet any local and state codes for site of installation;
- valve is designed for minor plumbing misalignments. Do not support weight of system on the plumbing;
- be sure all soldered pipes are fully cooled before attaching plastic valve to the plumbing.

5.4. Block diagram and configuration example

Block diagram



Configuration example



5.5. Valve connection to piping

The connections should be hand tightened using PTFE (plumber's tape) on the threads if using the threaded connection type.

In case of heat welding (metal type connection), the connections should not be made to the valve when soldering.



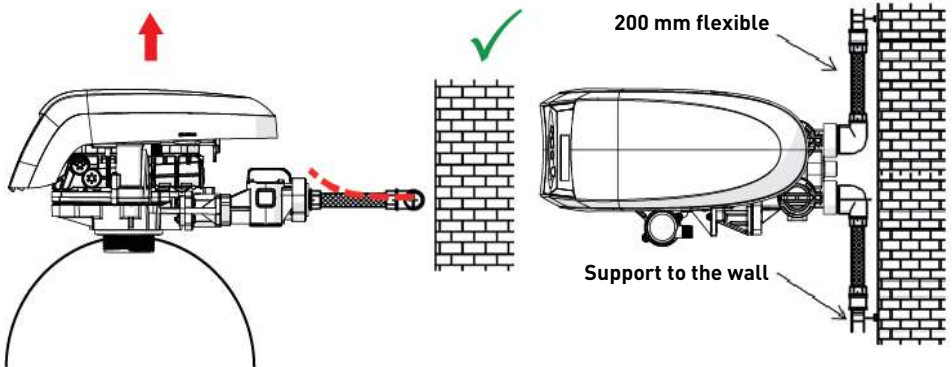
Note

See chapter 3.3. Description and components location, page 16 to identify the connections.

5.5.1. Top-mounted valve installation

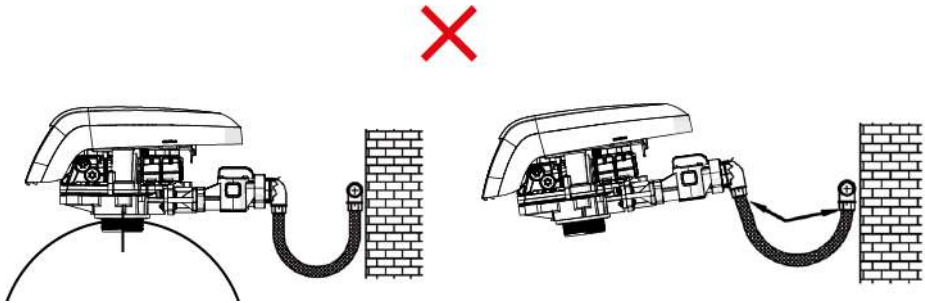
When pressurized, any composite tank will expand both vertically and circumferential. In order to compensate the vertical expansion, the piping connections to the valve must be flexible enough to avoid overstress on the valve and tank.

In addition, the valve and tank should not be supporting any part of the piping weight. This is hence compulsory to have the piping fixed to a rigid structure [e.g. frame, skid, wall...] so that the weight of it is not applying any stress on the valve and tank.



- The diagrams above illustrate how the flexible piping connection should be mounted;
- in order to adequately compensate the tank elongation the flexible tubes must be installed horizontally;
- should the flexible piping connection be installed in vertical position, instead of compensating the elongation, it will create additional stresses on the valve & tank assembly. Therefore this is to be avoided;
- the flexible piping connection must be also be installed stretched, avoiding excessive length. For instance 20 - 40 cm is enough;

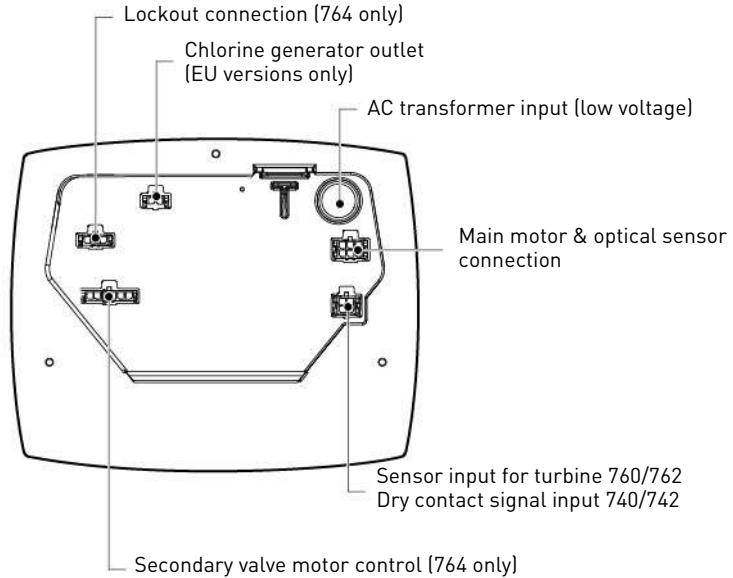
- excessively long and non-stretched flexible piping connection will create stresses on the valve and tank assembly when the system is pressurized, as illustrated in the below picture: on the left the assembly when the system is unpressurized, on the right the flexible piping connection when put under pressure tends to lift up the valve when stretching up. This configuration is even more dramatic when using semi-flexible piping;
- failure to provide enough vertical compensation may lead to different kinds of damage, either on the valve thread which connects to the tank, or on the female thread connection of the tank that connects to the valve. In some cases, damage may also be seen on the valve inlet and outlet connections;



- in any case, any failure caused by improper installation and/or piping connections may void the warranty of Pentair products;
- in the same way, using lubricant* on the valve thread is not allowed and will void the warranty for the valve and tank. Indeed using lubricant there will cause the valve to be over-torqued, which may lead to valve thread or tank thread damage even if the connection to piping has been done following the above procedure.

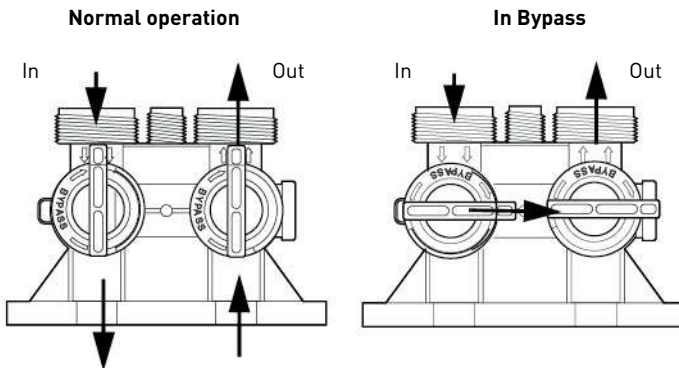
*Note: Use of petroleum-based grease and mineral based lubricant is totally forbidden, not only on the valve thread, since plastics (especially Noryl) will highly suffer from contact with this type of grease, leading into structural damage hence to potential failures.

5.6. Connections (electrical)



5.7. Bypassing

A bypass valve system should be installed on all water conditioning systems. Bypass valves isolate the softener from the water system and allow unconditioned water to be used. Service or routine maintenance procedures may also require that the system is bypassed.



**Caution**

Do not solder pipes with lead-based solder.

**Caution**

Do not use tools to tighten plastic fittings. Over time, stress may break the connections. When the 256 bypass valve is used, only hand tighten the plastic nuts.

**Caution**

Do not use petroleum grease on gaskets when connecting bypass plumbing. Use only 100% silicone grease products when installing any plastic valve. Non-silicone grease may cause plastic components to fail over time.

5.8. Drain line connection

**Note**

Standard commercial practices are expressed here. Local codes may require changes to the following suggestions. Check with local authorities before installing a system.

The unit should not be more than 6.1 m from the drain. Use an appropriate adapter fitting to connect 12.7 mm plastic tubing to the drain line connection of the control valve.

If the backwash flow rate exceeds 22.7 lpm or if the unit is located 6.1-12.2 m from the drain, use 19 mm (3/4") tubing. Use appropriate fittings to connect the 19 mm (3/4") tubing to the 19 mm (3/4") NPT drain connection on the valve.

The drain line may be elevated up to 1.8 m providing the run does not exceed 4.6 m and water pressure at the softener is not less than 2.76 bar. Elevation can increase by 61 cm for each additional 0.69 bar of water pressure at the drain connector.

Where the drain line is elevated but empties into a drain below the level of the valve, form a 18 cm loop at the far end of the line so that the bottom of the loop is level with the drain line connection. This will provide an adequate siphon trap.

Where the drain empties into an overhead sewer line, a sink-type trap must be used.

Secure the end of the drain line to prevent it from moving.



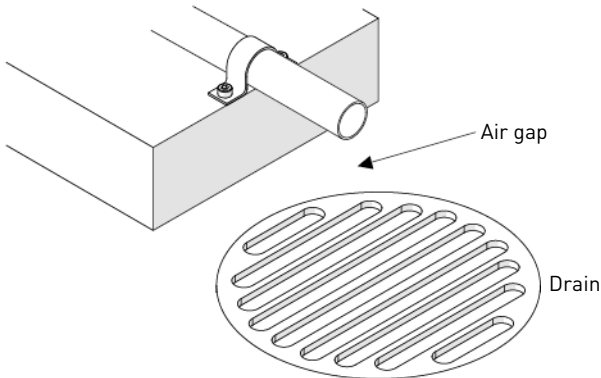
Note

Waste connections or the drain outlet shall be designed and constructed to provide connection to the sanitary waste system through an air-gap of 2 pipe diameters or 25.4 mm (1"), whichever is larger.



Caution

Never insert the drain line directly into a drain, sewer line or trap. Always allow an air gap between the drain line and the wastewater to prevent the possibility of sewage being back-siphoned into the softener.



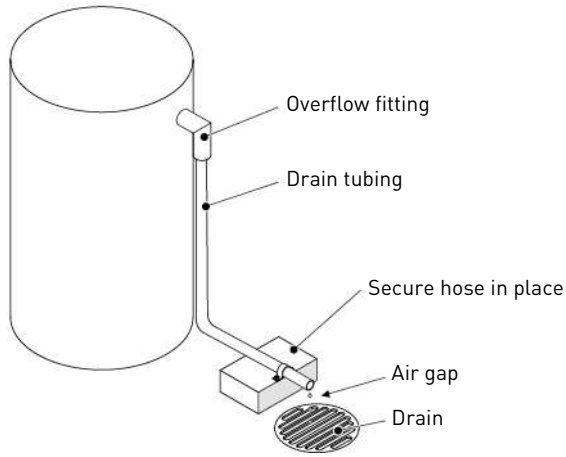
5.9. Overflow line connection

In the event of a malfunction, the brine tank overflow fitting will direct "overflow" to the drain instead of spilling on the floor. This fitting should be on the side of the cabinet or brine tank. Most tank manufacturers include a post for the tank overflow connector.

To connect the overflow line, locate the hole on side of tank. Insert overflow fitting into tank and tighten with plastic thumb nut and gasket as shown below. Attach a length of 12.7 mm (1/2") I.D. tubing (not supplied) to fitting and run to drain.

Do not elevate overflow higher than overflow fitting.

Do not tie into drain line of controller unit. Overflow line must be a direct, separate line from overflow fitting to drain, sewer or tub. Allow an air gap as per drain line instructions.



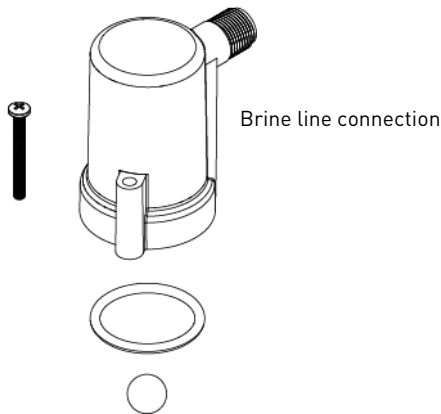
Caution

Floor drain is always recommended to avoid flooding in case of overflow.

5.10. Brine line connection

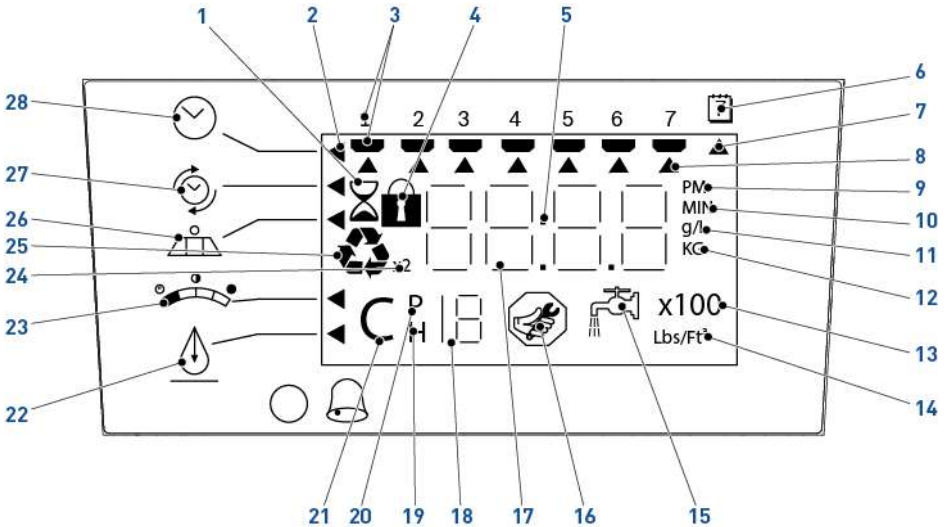
The brine line from the tank connects to the valve. Make the connections and hand tighten. Be sure that the brine line is secure and free from air leaks. Even a small leak may cause the brine line to drain out, and the softener will not draw brine from the tank. This may also introduce air into the valve, causing problems with the valve operation.

Most installations utilise a tank check valve. This is not necessary when using the 255 valve with the built-in aircheck. Using a tank check valve with the 255 valve with aircheck will result in premature checking of the aircheck valve, before the tank is empty.



6. Programming

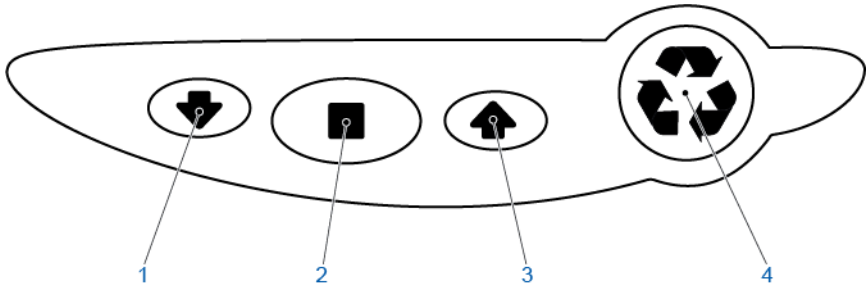
6.1. Display







- | | |
|---|--|
| <ol style="list-style-type: none"> 1. Hourglass 2. Cursor 3. Days of the week 4. Locked/unlocked indicator 5. Colon 6. Days between regenerations 7. Cursor 8. Cursor 9. "PM" 10. "MIN" | <p>Displayed when the motor is running. The camshaft should be turning.</p> <p>These cursors appear next to the item that is currently displayed.</p> <p>Displayed days of the week. The flag below the day appears when that day has been programmed as a day the system should regenerate (used with 7-day timer programming, 740 only).</p> <p>This symbol is displayed in basic programming when the current parameter is locked-out.
It is also used in advanced programming to indicate if the displayed parameter is locked when the controller is in basic programming (the icon flashes).</p> <p>Colon flashes as part of the time display.
It also indicates normal operation (740 only).</p> <p>Days between regeneration programming / day override setting.</p> <p>This cursor is displayed when the days between regeneration / day override are being programmed.</p> <p>One of these cursor is displayed to indicate which day is programmed into the controller.</p> <p>Indicates that the time displayed is between 12:00 noon and 12:00 midnight (there is no AM indicator).
"PM" indicator is not used if the clock mode is set to 24-hour.</p> <p>Indicates that the value entered/displayed is in minute increments.</p> |
|---|--|

11. "g/L"	Indicates that the value entered/displayed for salt amount is in grams/Liter of resin.
12. "KG"	Indicates that the value entered/displayed is in kilograms or kilograins.
13. "x100"	x100 multiplier for large values.
14. "Lbs/ft ³ "	Indicates that the value entered/displayed for salt amount is in pounds per cubic foot.
15. Faucet	Appears when the current flow rate is displayed. The controller may show the faucet and "0", indicating no flow.
16. Maintenance interval	Displayed when the months in service exceed the value programmed in parameter P11.
17. Digits	Four digits used to display the time, flow rate, volume capacity, program value or error codes.
18. Number	Used with #19, #20 and #21. Displays a sequence numbers or values.
19. History values (H)	The number displayed by #18 identifies which history value is currently displayed.
20. Parameter (P)	Displayed only in advanced programming. The number displayed by #18 identifies which parameter is currently displayed.
21. Cycle (C)	The number displayed by #18 is the current cycle in the regeneration sequence.
22. Hardness	Hardness setting - only used with 760 controller for 8-cycles softening system.
23. Capacity	Shows estimated system capacity.
24. "x2"	Indicates a second regeneration has been called for.
25. Regeneration sign	Flashes when a regeneration at the next time of regeneration has been called for. Also displayed (continuously) when in regeneration.
26. Salt	Salt amount for each regeneration setting. If the controller is on a 3-cycles filter then the backwash time is displayed.
27. Regeneration time	Time of regeneration and days of regeneration setting. Days of regeneration setting is only available on 740 controller.
28. Time and day	Current time and day setting.

6.2. Commands



- | | | |
|----|--|---|
| 1. |  - Down arrow | Scrolls down or decrement through a group of choices. |
| 2. |  - Set | Accepts a setting that normally becomes stored in memory. Also used together with the arrow buttons to access special features. |
| 3. |  - Up arrow | Scrolls up or increment through a group of choices. |
| 4. |  - Regenerate | Commands the controller to regenerate. Also used to change the lock mode and to exit from basic programming. |

6.3. Basic programming



Note






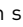
Menus are displayed in a defined and incremental order.

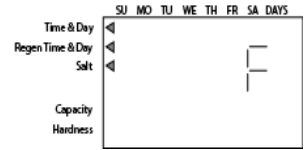
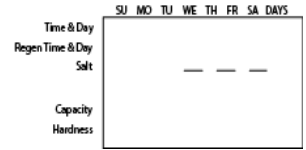
6.3.1. Basic programming mode chart

Parameter description	Range of values	Default value	Units of measure	Notes
Program system size	5 - 80 / F	None	liters	To choose a 3-cycle filter operation, select "F" program.
Time setting	1:00 - 12:59 AM 0:00 - 23:59 PM	12:00 PM	hour: minute	-
Day of week	N/A	None	N/A	-
Regeneration time	1:00 - 12:59AM 0:00 - 23:59PM	2:00 AM	hour: minute	-
Days to regenerate (740 controller only)	0.5 - 99	3	day	Day to regenerate is skipped if calendar override is more than 0.
Calendar override (760 controller only)	0.5 - 99	0	day	0 = no calendar override. 0.5 = regeneration twice a day at time of regeneration and 12 hours later. Calendar override skipped if at least one day of regeneration selected.
Amount of brine used per regeneration	S / H / L	S	g/l	S: Standard Salt – 120 g/l of resin. H: High Salt – 200 g/l of resin. L: Low Salt – 45 g/l of resin.
Filter Backwash Time (Filter Mode Only)	0 - 99	14	minute	-
Estimated capacity	0.1 - 99	25	kg equivalent CaCO ₃	For information purpose only on the 740 controller.
Hardness (760 controller only)	0.1 - 99	10	mg/l equivalent CaCO ₃	-

6.3.2. Program system size







Set your input system size and your resin volume in liters.

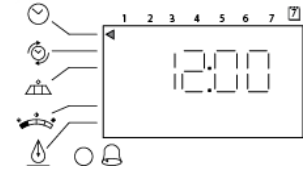
- A Use  and  to scroll through resin volume choices.
- B Choose the nearest volume to your actual system size.
- C To choose a 3-cycle filter operation, press  until an "F" is displayed.
- D Press  to validate the system size selected and advance to the next parameter using  or .
- E If an incorrect setting is programmed, see "Resetting the controller", page 44.



6.3.3. Time setting and winter time - summer time change

Set the current time.

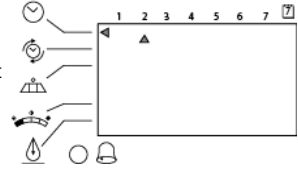
- A Press  when the time of the day is displayed.
→ Time flashes.
- B Adjust displayed time with  and .
- C Press  to validate the selection and advance to the next parameter using  or .



6.3.4. Day of week

Set the current day of the week.

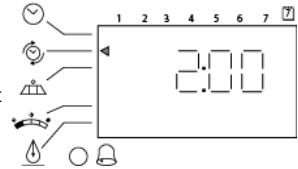
- A** Press **■**.
→ Arrow flashes.
- B** Select displayed day with **▲** and **▼**.
- C** Press **■** to validate the selection and advance to the next parameter using **▼** or **▲**.



6.3.5. Regeneration time

Set the time when regeneration will take place.

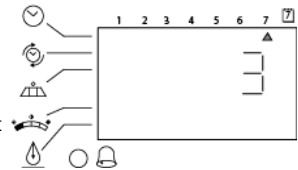
- A** Press **■**.
→ Regeneration time flashes.
- B** Adjust displayed time with **▲** and **▼**.
- C** Default setting: 2:00am.
- D** Press **■** to validate the selection and advance to the next parameter using **▼** or **▲**.



6.3.6. Days to regenerate [740 time-clock controller only]

Set number of days between time-clock regeneration (regen frequency).

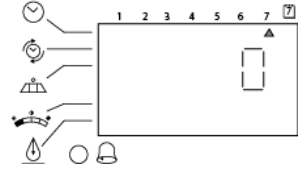
- A** Press **■**.
→ Number of days flashes.
- B** Adjust displayed number with **▲** and **▼**.
→ Default number: 3 days.
→ Days can be adjusted from 1/2 (0.5) to 99 days.
- C** Press **■** to validate the selection and advance to the next parameter using **▼** or **▲**.



6.3.7. Calendar override (760 on-demand controller only)

Set number of days for calendar override on-demand controller.

- A** Press **■**.
→ Number of days flashes.
- B** Adjust displayed number with **▲** and **▼**.
→ Default time for calendar override: 0 day.
→ Days can be adjusted from ½ (.5) to 99 days.
- C** Press **■** to validate the selection and advance to the next parameter using **▼** or **▲**.

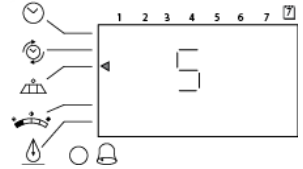


6.3.8. Amount of brine used per regeneration

Set desired brine amount. 3 salt settings are available on 740 and 760 controllers:

- S – Standard Salt – 120 grams/liter of resin;
- H – High Salt – 200 grams/liter of resin;
- L – Low Salt – 45 grams/liter of resin.

- A** Press **■**.
→ Setting flashes.
- B** Adjust displayed settings with **▲** and **▼**.
→ Default setting is "S" standard salting.
- C** Press **■** to validate the selection and advance to the next parameter using **▼** or **▲**.



Filter Backwash Time (Filter Mode Only)

If the system is set up as a filter, the brine amount is unnecessary. The controller deactivates the brine amount setting, and changes to an adjustable backwash time in minutes.

- A** Press **■**.
→ Time flashes.
- B** Adjust displayed time with **▲** and **▼**.
→ Default time: 14 minutes.
→ The controller can be adjusted from 0 to 99 minutes for backwash.
- C** Press **■** to validate the selection and advance to the next parameter using **▼** or **▲**.

6.3.9. Estimated capacity



Note

The system capacity is displayed in kilograms equivalent CaCO_3 of hardness removed before a regeneration is necessary.



Note

Value is derived from the system's resin volume input and salt amount input.

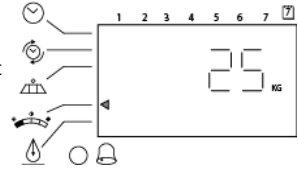


Note

The capacity is displayed for information purposes on the 740 controller. It cannot be changed.

Set the estimated capacity on the 760 controller.

- A Press **■** .
→ The amount number flashes.
- B Adjust displayed capacity with **▲** and **▼**.
- C Press **■** to validate the selection and advance to the next parameter using **▼** or **▲**.



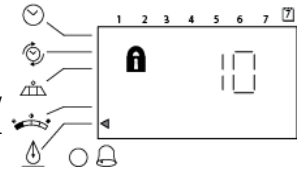
Note

If using the 740 controller, programming is complete. The controller will return you to the normal operation mode.

6.3.10. Hardness (760 on-demand controller only)



Set inlet water hardness at installation site.

- A Press **■** .
→ The hardness number flashes.
- B Adjust displayed hardness number with **▲** and **▼**.
→ Default hardness setting is 10 mg/L equivalent CaCO_3 .
- C Press **■** to validate the selection. Initial programming is now complete. The controller will return you to the normal operation mode.



6.4. Advanced programming

**Note**

Press and hold  +  for 5 seconds to access advance programming. A "P" symbol is displayed on the bottom left of screen.

The 740/760 features an advanced programming level that allows the installing dealer to make changes to the controller for more demanding applications. The homeowner/end user should never have to access this level.

The advanced programming menus include:

- P1 = Time of day;
- P2 = Day of week;
- P3 = Time of regeneration;
- P4 = Number of days between regeneration (99 day calendar override);
- P5 = (740 only);
- P6 = Amount of brine used per regeneration or filter backwash time (1-99 minutes);
- P7* = System capacity;
- P8 = Hardness;
- P9** = Units of measurement;
- P10** = Clock mode.

* Calculated by software.

** Pre-selected by World model (i.e. 230 Vac, 50 Hz, metrics unit).



6.4.1. Master setting reference chart

Parameter description		Range of values	Default value	Units of measure	Notes
P1	Time of day	1:00 - 12:59 AM 0:00 - 23:59 PM	12:00 PM	hour: minute	Range depends on value selected for P10.
P2	Day of week	N/A	None	N/A	-
P3	Time of regeneration	1:00 - 12:59AM 0:00 - 23:59PM	2:00 AM	hour: minute	Range depends on value selected for P10.
P4	Calendar override	0 - 99	3	day	0 = no calendar override. 0.5 = regeneration twice a day at time of regeneration and 12 hours later. Calendar override skipped if at least one day of regeneration selected.
P5	Day of week regeneration	N/A	None	N/A	Day of week regeneration is skipped if calendar override is more than 0 (740 controller only).
P6	Salt setting or filter backwash time	50 - 290 or 1 - 99	110 or 10	g/l or minute	Unit of measure depends on value selected for P9.
P7	System capacity	0.1 - 90	*	kg	Unit of measure depends on value selected for P9.
P8	Water hardness	30 - 2000	400	g/l	Unit of measure depends on value selected for P9 (760 controller only).
P9	Units of measure	0 - 1	1**	N/A	0 = US unit. 1 = Metric unit.
P10	Clock mode	0 - 1	1**	N/A	0 = 12 hour clock. 1 = 24 hour clock.

* Calculated depending on salt setting and resin volume. The capacity may be manually adjusted.

** Factory default value is "0" for North America Made and "1" for European Made.

6.4.2. Cycle time programming

Press and hold the  and  for 5 seconds when the controller is not in regeneration to enter cycle time programming.

- A small "C#" with a number will be displayed indicating the controller is in cycle time programming.
- The number indicates the cycle being viewed or changed.
- Cycle times are programmable from 0 to 200 minutes.

C1-Backwash

C5-Fast Rinse

C2*-Brine Draw

C6-2nd Backwash

C3*-Slow Rinse

C7-2nd Fast Rinse

C4-Re-pressurize

C8*-Refill

* This parameter is calculated by the Logix controller. Therefore it can not be edited.



Note

See chapter 3.4. System regeneration cycle (8-cycles operation), page 17 for more information about cycles.

6.4.3. Diagnostic

To access diagnostic values, press and hold and for 5 seconds to view the "H" levels.

Diagnostic Code	Description	Unit	Range
H0	Resin volume	l	/
H1	Day since last regeneration	l/min	0 - 255
H2	Current flow rate	day	0 - 177
H3	Water used today (since time of regeneration)	l/min	0 - 6553.6
H4	Water used since last regeneration	m ³	0 - 6553.6
H5	Total water used (less significant digit)	m ³	0 - 9999
H6	Total water used (most significant digit)	m ³	0 - 4264 x10 ⁴
H7	Average usage for Sunday	m ³	0 - 6553.6
H8	Average usage for Monday	m ³	0 - 6553.6
H9	Average usage for Tuesday	m ³	0 - 6553.6
H10	Average usage for Wednesday	m ³	0 - 6553.6
H11	Average usage for Thursday	m ³	0 - 6553.6
H12	Average usage for Friday	m ³	0 - 6553.6
H13	Average usage for Saturday	m ³	0 - 6553.6



Note

Diagnostic code H2 to H13 are only available on 760 controller.

6.4.4. Resetting the controller



Caution

Resetting the controller will delete all information stored in its memory, except the time and day. This will require you to reprogram the controller completely from the initial power-up mode.

To reset the controller:

- A** Press and hold and for 5 seconds.
→ H0 and the system's set resin volume (or "F" mode) will be displayed.
- B** If a history value other the "H0" is displayed, use to scroll through the settings until "H0" is displayed.
- C** To reset the controller, press and hold for 5 seconds.
→ The controller will be reset to an unprogrammed state.
- D** Go to Chapter 6. Programming, page 33 to reprogram the controller.

7. Commissioning



Note

This chapter is available for standard regeneration types. Contact your supplier if the actual regeneration is not standard and if you need assistance.

7.1. Water filling, draining and waterproofness inspection

7.1.1. Activating the softener



After you have performed the previous initial programming steps, you will need to activate the softener.



Caution

Do not rotate the camshaft by hand or damage to the unit may occur. Use the controller to take the camshaft electronically through the cycles.

Follow these steps carefully:

1. Remove the cover from the valve. Removing the cover will allow you to see that the camshaft is turning, and in which cycle the camshaft is currently positioned.
2. With the supply water for the system still turned off, position the bypass valve to the "non-bypass" (normal operation) position.
3. Press  on the controller for 5 seconds. This will initiate a manual regeneration. The controller will indicate that the motor is turning the camshaft to cycle C1 (Backwash) position by flashing an hourglass. The controller will display the total regen time remaining. If you press and hold the  button, the controller will indicate the time remaining in the current cycle.
4. Fill the media tank with water.
 - While the controller is in cycle C1 (Backwash), open the water supply valve very slowly to approximately the ¼ open position.



Caution



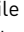
If opened too rapidly or too far, media may be lost out of the tank into the valve or the plumbing. In the ¼ open position, you should hear air slowly escaping from the valve drain line.

- When all of the air has been purged from the media tank (water begins to flow steadily from the drain line), open the main supply valve all of the way. This will purge the final air from the tank.
- Allow water to drain out until the water runs clear from the drain line. This purges any refuse from the media bed.
- Turn off the water supply and let the system stand for about 5 minutes. This will allow any trapped air to escape from the tank.

5. Add water to the brine tank (initial fill) (softener only).
 - With a bucket or hose, add approximately 15 liters (4 gallons) of water to the brine tank. If the tank has a salt platform in the bottom of the tank, add water until the water level is approximately 25 mm (1") above the platform.






**Note**



We recommend that you do not put salt into the tank before the control valve has been started up. With no salt in the tank, it is much easier to view water flow and motion.

6. Engage the refill cycle to prime the line between the brine tank and the valve (softener only).
 - Slowly open the main water supply valve again, to the fully open position. Be sure not to open too rapidly as that would push the media out of the media tank.
 - Advance the controller to the Refill (C8) position. From cycle C1 (Backwash), press and hold . This will display the current cycle. While pressing , press  to advance to the next cycle. Continue to advance through each cycle until you have reached cycle C8 (Refill).

**Note**

As you advance through each cycle there will be a slight delay before you can advance to the next cycle. The hourglass icon will be lit while the camshaft is indexing. There may be a pause at cycle C4 (System Pause). This cycle allows the water/air pressure to equalize on each side of the valve discs before moving on. The hourglass will not be visible indicating that the system is paused.

- With the water supply completely open, when the valve reaches C8 (Refill), the controller will direct water down through the line to the brine tank. Let the water flow through the line until all air bubbles have been purged from the line.
 - Do not let the water flow down the line to the tank for more than 1 to 2 minutes, or the tank may overflow.
 - Once the air is purged from the line, press  and  simultaneously to advance to cycle C0 (Treated Water) position.
7. Draw water from the brine tank.
 - From the treated water position (cycle C0), advance the valve to the draw brine position. Press  for 5 seconds. The controller will begin a manual regen, and advance the control valve to the cycle C1 (Backwash). Press  and  to advance to cycle C2 (Draw).
 - With the controller in this position, check to see that the water in the brine tank is being drawn out of the tank. The water level in the tank should recede very slowly.
 - Observe the water being drawn from the brine tank for at least 3 minutes. If the water level does not recede, or goes up, check all hose connections. C2 should be displayed.

8. If the water level is receding from the brine tank you can then advance the controller back to the treated water (C0) position by pressing  and  simultaneously to advance the controller to the C0 position.
9. Finally, turn on a faucet plumbed after the water softener. Run the faucet until the water runs clear. Add salt to the brine tank.

7.1.2. Additional tips

- When the controller is first plugged in, it may display a flashing hourglass and the message "Err 3", this means that the controller is rotating to the home position. If the "Err 2" is displayed, check that the incoming power frequency matches the controller;
- the preset default time of regeneration is 2:00 AM;
- power supply: the world controller senses the electrical input and decides which is needed;
- the 700 Series controller can be programmed to regenerate on specific days of the week;
- if electrical power is not available, the camshaft can be rotated counter-clockwise by hand if the motor is removed;
- the 700 Series controllers send commands to the motor for camshaft movement. However, water pressure/flow are required during the regeneration cycle for backwash, purge and refill, and brine draw to actually take place;
- make sure the control power source is plugged in. The transformer should be connected to a non-switched power source;
- you can start programming from the beginning by resetting the amount of media, see chapter 6.4.4. Resetting the controller, page 44.

7.2. Sanitization

7.2.1. Disinfection of water softeners

The construction materials of the modern water softener will not support bacterial growth, nor will these materials contaminate a water supply. During normal use, a softener may become fouled with organic matter, or in some cases with bacteria from the water supply. This may result in an off-taste or odour in the water.

Some softeners may need to be disinfected after installation and some softeners will require periodic disinfection during their normal lifetime.

Depending on the conditions of use, the softener type, the type of ion exchanger, and the disinfectant available, a choice can be made among the following methods.

7.2.2. Sodium or calcium hypochlorite

These materials are satisfactory for use with polystyrene resins, synthetic gel zeolite, greensand and bentonites.

5.25% Sodium hypochlorite

If stronger solutions are used, such as those sold for commercial laundries, adjust the dosage accordingly.

Dosage

Polystyrene resin: set 1.25 mL fluid per 1 L of resin.

Non-resinous exchangers: set 0.85 mL fluid per 1 L.

Brine tank softeners

Backwash the softener and add the required amount of hypochlorite solution to the well of the brine tank. The brine tank should have water in it to permit the solution to be carried into the softener.

Proceed with the normal regeneration.

Calcium hypochlorite

Calcium hypochlorite, 70% available chlorine, is available in several forms including tablets and granules. These solid materials may be used directly without dissolving before use.

Dosage

Measure two grains ~ 0.11 mL 1 L.

Brine tank softeners

Backwash the softener and add the required amount of hypochlorite to the well of the brine tank. The brine tank should have water in it to permit the chlorine solution from being carried into the softener.


Proceed with the normal regeneration.

7.2.3. Electro chlorination

Valves or systems already equipped with an electrochlorinator device or system are supposed to be sanitized during the brine draw phase.

8. Operation

During a regeneration:

- A "C#" is displayed to show the current cycle;
- total regen time remaining is displayed on screen;
- you can press and hold  to show current cycle time remaining.

8.1. Recommendations

- Use only regeneration salts designed for water softening EN973;
- for optimal system operation, the use of clean salt and impurities free is recommended (for example salt pellets);
- do not use ice melt salt, block, or rock salts;
- the sanitizing process (both with liquid and electrochlorination) may introduce chlorine compounds which may reduce the lifetime of the ion exchange resins. Refer to media manufacturer specifications sheet for more information.

8.2. Manual regeneration



Mandatory


The controller must be in service in order to enable this procedure.



Note

The unit returns to normal operation if no buttons are pressed within 30 seconds.

Manual delayed regeneration


A Press  once for delayed regeneration.

→ The regeneration will start on the scheduled time. See chapter 6.3. Basic programming, page 36.


→ A flashing regen symbol will be displayed.



Note

To cancel: press  again. The regen symbol disappears.


Immediate regeneration

A Press and hold  for 5 seconds to initiate immediate manual regeneration.


→ A solid regeneration icon will be displayed.

→ Camshaft starts rotating to cycle C1.





Double regeneration

- A** After an immediate regeneration has begun, press  again to plan a second manual regeneration.
→ A flashing "x2" symbol indicates the second regeneration will start at the programmed delayed regeneration time.



Immediate double regeneration

- A** Press and hold  to start the second regeneration immediately following the current regeneration.
→ A solid "x2" symbol will be displayed.

8.3. To advance regeneration cycles

- A** Simultaneously press  and  to advance to the next cycle.
→ An hourglass will display while the camshaft is moving.
→ When the camshaft reaches next cycle, "C2" will be displayed.
- B** Repeat  and  to advance through each cycle.

8.4. To cancel a regeneration

- A** Press and hold  and  for 5 seconds to cancel the regen.
→ Hourglass will flash once cancelled.
→ Camshaft will move to service position – may take 1 to 2 minutes.

9. Maintenance



Mandatory

Cleaning and maintenance shall take place at regular intervals in order to guarantee the proper functioning of the complete system, and be documented in the Maintenance chapter in the User Guide document.



Mandatory

The maintenance and service operation must be done by qualified personnel only. Failure in respecting this may void the warranty.

9.1. General system inspection



Mandatory

Has to be done once a year at minimum.

9.1.1. Water quality

1. Raw water total hardness.
2. Treated water hardness.

9.1.2. Mechanical Checks

1. Inspect general condition of valve and associated ancillaries and check for any leaks, ensure valve connection to piping is made with adequate flexibility as per manufacturer instruction.
2. Inspection of electrical connections, verify wiring connections and search for evidence of overloading.
3. Verify settings of electronic or electromechanical timer, verify regeneration frequency, make sure the valve configuration correspond to the settings.
4. Check water meter, if present, report water meter settings, compare with previous inspection.
5. Verify total water consumption compared to previous visit.
6. If pressure gauges are installed before and after softening system, verify and record static and dynamic pressure, reporting pressure drop. Verify that inlet pressure respects valve and softening system limits.
7. If pressure gauges are not present, but suitable points exist, install temporary pressure gauge(s) to perform point 6.

9.1.3. Regeneration test

1. Check condition of brine tank and any associated equipment.
2. Check salt level in brine tank.
3. Initiate regeneration test.
 - Check brine draw during brine draw stage, observe aircheck ball and make sure of proper function.
 - Check brine tank refill, observe aircheck ball and make sure of proper function.
 - Check operation of safety brine valve, where fitted ***.
 - Check for brine draw off levels.
 - Check for resin loss at the drain during regeneration.
 - Where fitted, check for satisfactory operation of solenoid, i.e. outlet shut off during regeneration and/or brine line shut off valve(s).
4. Test and record Total Hardness of outlet water from softener vessel(s).

9.2. Recommended maintenance plan

Items	1 year	2 year	3 year	4 year	5 year
Injector & filter	Clean	Clean	Clean	Clean	Clean / replace if necessary
Refill controller & ball**	Clean	Clean	Clean	Clean	Clean / replace if necessary
DLFC & ball**	Clean	Clean	Clean	Clean	Clean / replace if necessary
Aircheck & ball**	-	-	-	-	Clean / replace if necessary
256 Bypass (if present, contains O-rings**)	-	-	-	-	Clean / replace if necessary
Flappers**	-	-	-	-	Replace
Flappers spring	-	-	-	-	Replace
O-Rings**	Check for watertightness / clean or replace in case of leakage	Check for watertightness / clean or replace in case of leakage	Check for watertightness / clean or replace in case of leakage	Check for watertightness / clean or replace in case of leakage	Check for watertightness / clean or replace in case of leakage

Items	1 year	2 year	3 year	4 year	5 year
Motor, motor cable and optical sensor harness	Check	Check	Check	Check	Replace
Optical sensor	Check	Check	Check	Check	Replace
Inlet Hardness	Check	Check	Check	Check	Check
Residual hardness	Check / adapt mixing screw if necessary	Check / adapt mixing screw if necessary	Check / adapt mixing screw if necessary	Check / adapt mixing screw if necessary	Check / adapt mixing screw if necessary
Electronic / settings*	Check	Check	Check	Check	Check / replace if necessary
Transformer*	Check	Check	Check	Check	Check / replace if necessary
Chlorine generator (if present)	Check / clean	Check / clean	Check / clean	Check / clean	Check / clean / replace if necessary
Turbine manifold****	Check / clean	Check / clean	Check / clean	Check / clean	Replace
Turbine cable (if turbine manifold present)	Check	Check	Check	Check	Replace
Valve watertightness	Check	Check	Check	Check	Check
Valve to piping watertightness	Check	Check	Check	Check	Check

* Electronic parts – durability strongly affected by power source quality and stability.

** Elastomer durability is strongly affected by raw water concentration in chlorine and its derivatives.

*** 255 being already equipped with an aircheck, the safety brine valve should not be equipped with an aircheck too otherwise this may create hydraulic interferences and cause brine draw malfunction due to safety brine valve aircheck not opening.

**** Wear part.

9.3. Recommendations

9.3.1. Use original spare parts



Caution

To ensure correct operation and safety of the device, only use original spare parts and accessories recommended by the manufacturer.

Parts to keep in stock for potential replacements are motor and optical sensor, controller, transformer, injectors, flapper kit, O-ring kit, refill and DLFC.

9.3.2. Use original approved lubricants

- Production:
PN 1014082 (NFO "Chemplex" 862 Silicone Comp.);
- spare part:
PN 42561 (SILICONE LUBRICANT PACK).


9.3.3. Maintenance instructions

- Disinfect and clean the system at least once a year or if the treated water has an off-taste or an unusual odor;
- perform a hardness test every year for softeners.


9.4. Cleaning and maintenance

9.4.1. First steps

Before any cleaning or maintenance procedure, complete the following step :

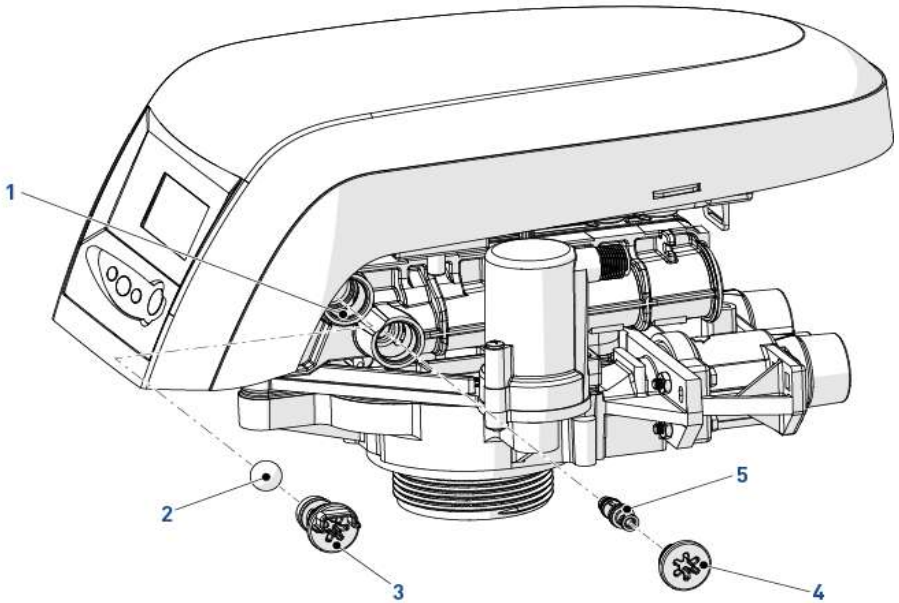
No.	Operation
	<p>Caution These operations need to be performed before any cleaning or maintenance procedure.</p>
A	Unplug the wall-mounted transformer.
B	Shut off water supply or put bypass valve(s) into bypass position.
C	Relieve system pressure before performing any operations.

9.4.2. Injector cleaning

No.	Operation
A	Using a Torx key, unscrew and remove the injector cap (4).
 Caution	Take care not to damage the injector (5).
B	Using pliers, gently extract the injector (5) from valve body.
C	Clean the injector (5) using compressed air, a soft brush or possibly a pin.

9.4.3. Refill controller cleaning

No.	Operation
A	Using a Torx key, unscrew and extract the refill controller (3).
B	Clean the refill controller (3) with a soft brush. Make sure the refill controller groove is perfectly clean.
C	Check for o-rings integrity.
D	Check for ball (2) integrity (if present).
E	Clean the refill controller chamber (1) before reinserting the refill controller (3).



9.4.4. Injector screen cap cleaning

No.	Operation
A	Using a Torx key, unscrew and extract the injector screen cap (4).
B	Unclip the white plastic basket (5) and clean it with a soft brush. Use of descaling agent such as white vinegar might be required in case of impurities on the plastic basket (5).
C	Check for o-rings integrity before reinserting the injector screen cap (4).

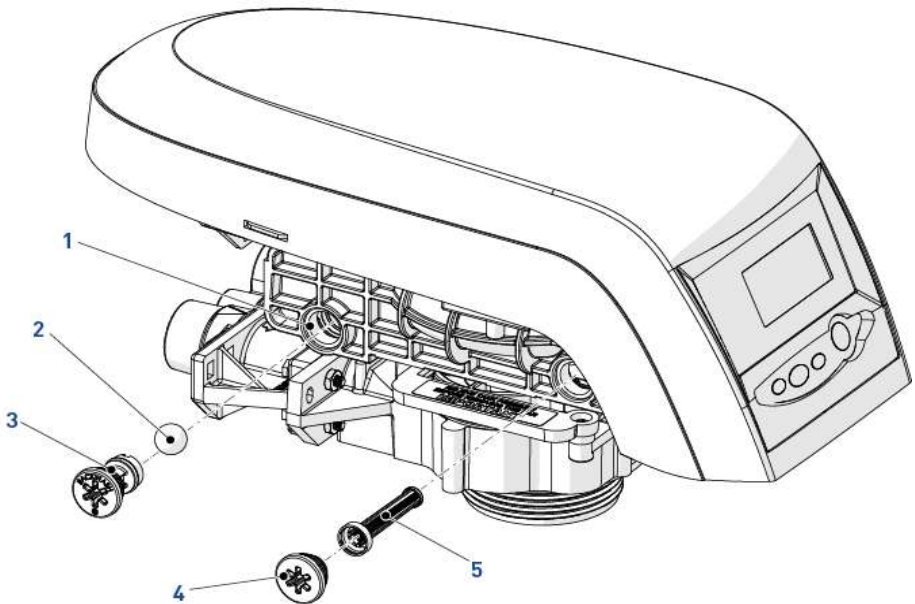
9.4.5. Backwash controller cleaning

No.	Operation
A	Using a Torx key, unscrew and extract the backwash flow controller (3).
B	Clean the backwash controller (3) using a soft brush or compressed air.
C	Check for o-rings integrity before reinserting the backwash controller (3).

Note

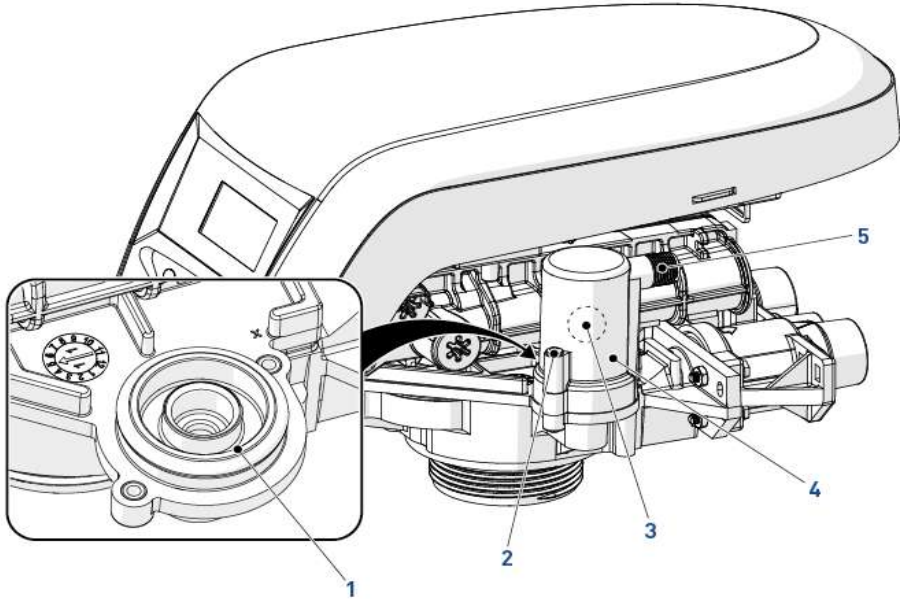


Depending on the backwash controller size, it may be of a different type to that shown below. If the model fitting the valve is with the ball (2), make sure to clean the backwash controller grooves and backwash controller chamber (1). Also check for ball (2) integrity before reinserting.




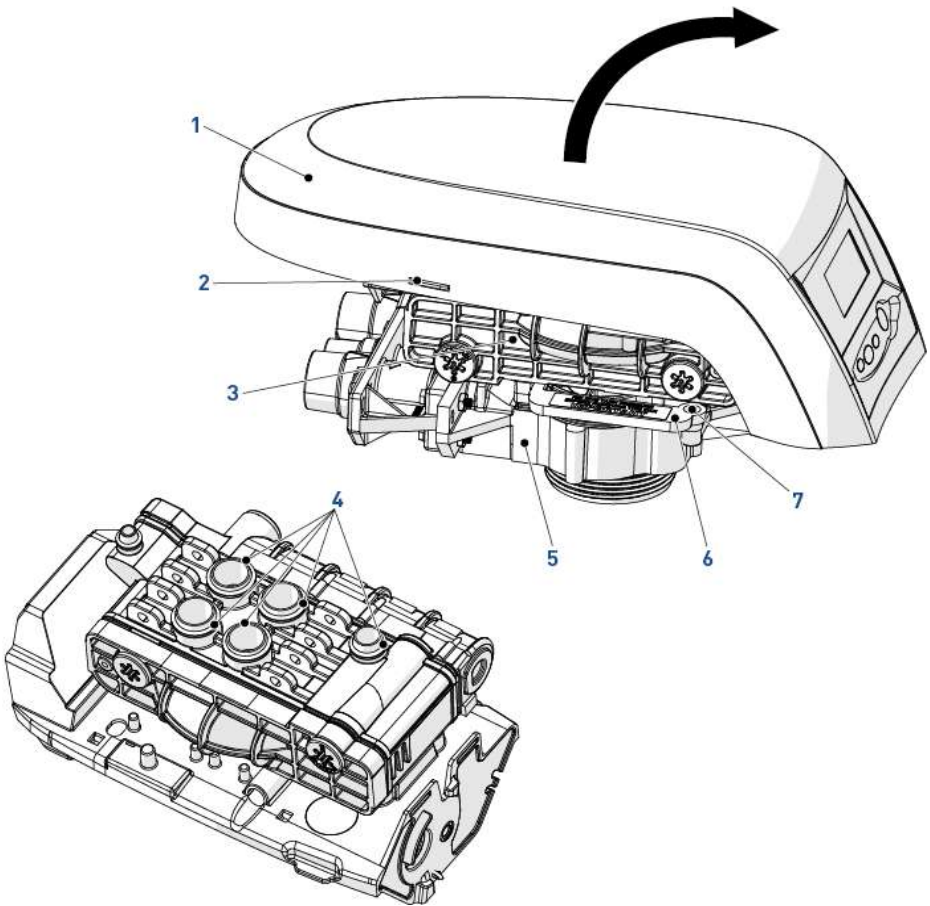
9.4.6. Air check valve cleaning

No.	Operation
A	Unscrew brine pipe (5).
B	Using a Phillips screwdriver, loosen air check cap screw (2) (2x). Let the 2 screws (2) on the cap (4).
C	Remove the cap (4).
D	Clean the air check ball (3) and groove (1) using a soft cloth or a soft brush.



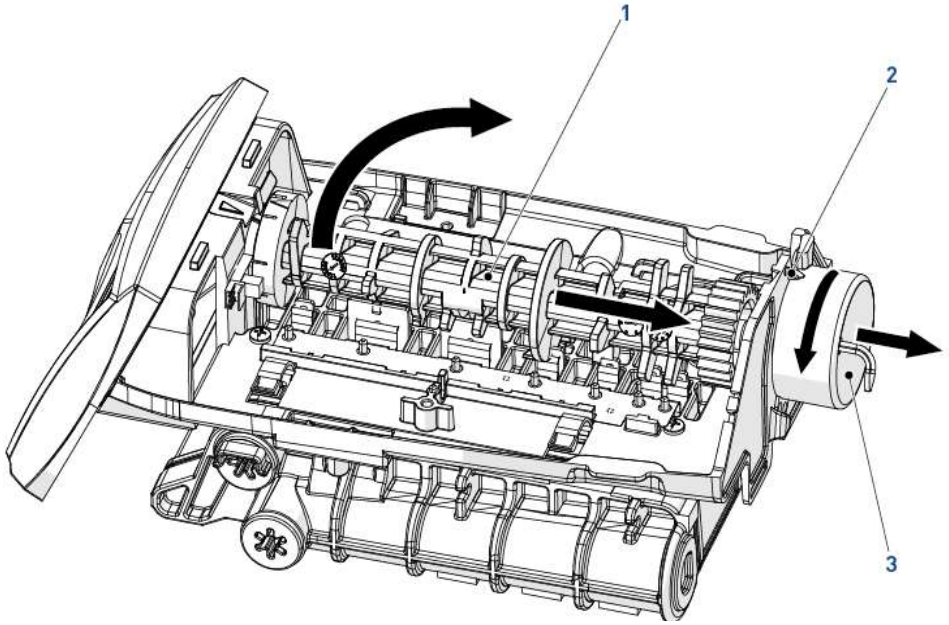
9.4.7. Valve from tank disassembly

No.	Operation
 Tip	Depending on the maintenance required, it may be useful to disassemble the valve from the tank in order to have easier access.
A	Unlock the cover (1) from the slide clips (2) (one on each side of the valve).
B	Lift the cover (1).
C	Using a Phillips screwdriver unscrew the screw (7) from the locking bar (6), so that the locking bar (6) can be slid out of its position.
D	You can now lift the top of the valve body (3) from the tank adapter (5), so as to perform all required maintenance operations with the upper valve body (3) part on a workbench. Take care with the seals (4) on the valve body bosses.






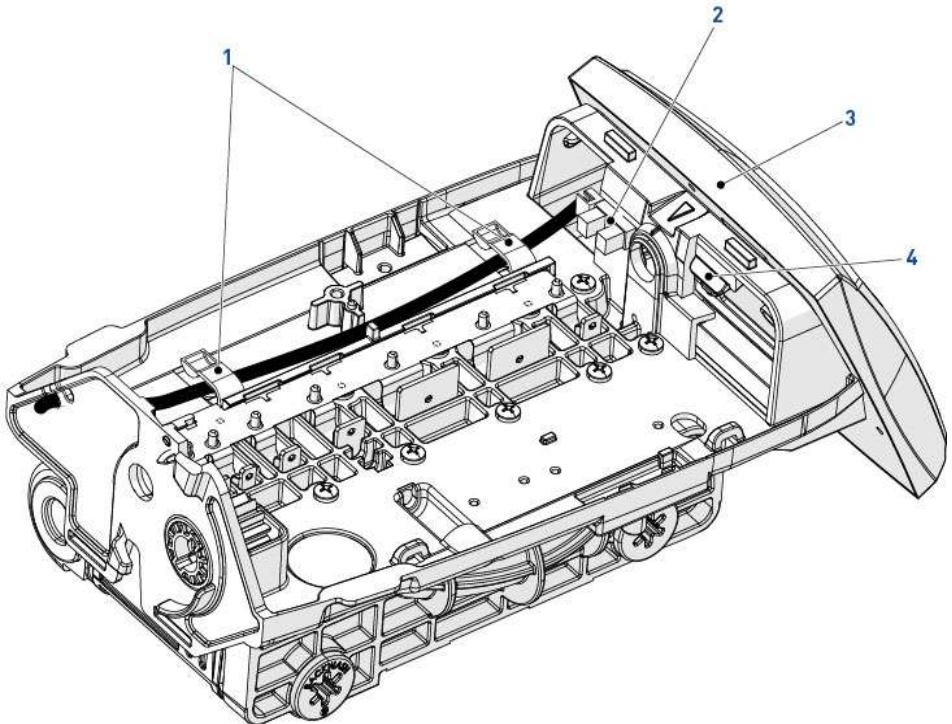
9.4.8. Motor and camshaft replacement

No.	Operation
A	Remove the white locking pin (2) securing the motor (3).
B	Turn the motor (3) counter clockwise and slide it out of its position.
C	Slide the camshaft (1) backwards until it is released from its mounting boss, then lift it up.






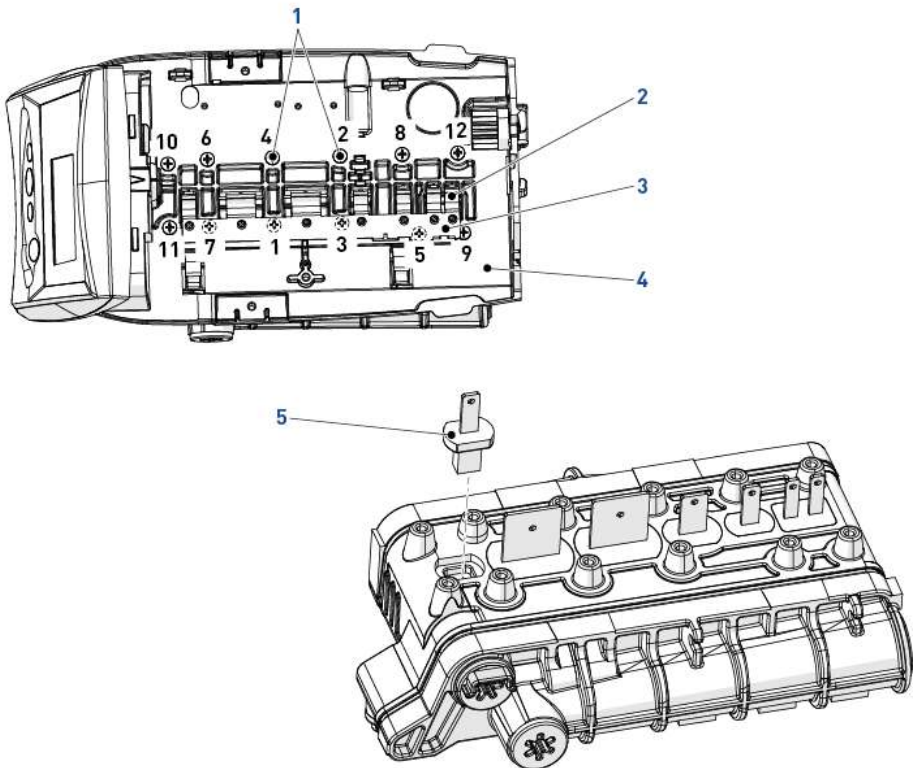
9.4.9. Optical sensor and controller replacement

No.	Operation
	Note To remove the optical sensor, you first have to disassemble the camshaft. See "Motor and camshaft replacement", page 59.
	Caution Take care with sharp edges.
A	The optical sensor (2) is clipped on the front edge, gently press on the clips to release the optical sensor (2) from its location.
B	Press the controller locking pad (4) and slide the controller (3) out of its position.
C	Disconnect the cables from the controller by pressing on the clip and pulling them.
	Caution When refitting, always use the cables guide (1) to secure the cables. This will prevent the cables from being crushed or cut when closing the cover or by the camshaft during regeneration cycles.



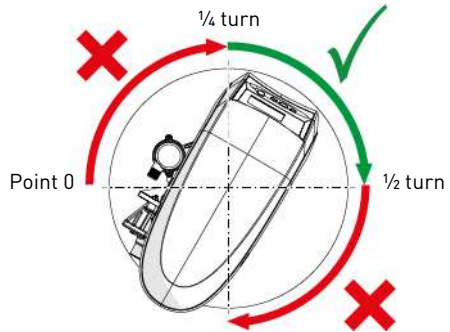
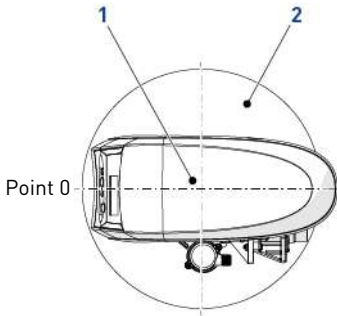
9.4.10. Top plate and disc valve replacement

No.	Operation
	Caution Take care with sharp edges. Use of protective glove is highly recommended to remove the spring (3).
A	Using a flat screwdriver, release the flapper springs (2) one by one and then remove the spring (3).
B	Loosen all top plate screws (1).
C	Remove the top plate (4) from the valve.
D	Clean or replace the flappers (5) if needed.
	Note The outline of the flapper seat can be seen on the flapper side. If the outline is irregular, this may indicate that debris is or has been preventing the flapper (5) from closing, and potential damage.
	Note When refitting the top plate (4), always follow the screwing order below.



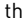
9.4.11. Valve on tank assembly

No.	Operation
A	Lubricate the seals with approved silicone grease.
B	Spin the valve (1) onto the tank (2), ensuring the threads are not cross-threaded.
C	Rotate the valve (1) clockwise and freely, without using force until it comes to a stop.
i	Note This stop position is considered point zero.
D	Rotate the valve (1) clockwise from point zero to between ¼ turn and ½ turn.
!	Caution Do NOT exceed 27 Nm of torque when installing the valve. Exceeding this limit may damage the threads and cause failure.



10. Troubleshooting

Err. code	Cause	Reset and recovery
ERR 1	Controller power has been connected and the controller is not sure of the operating status.	Reset controller. See 6.4.4. Resetting the controller, page 44.
ERR 2	Controller power does not match 50 or 60 Hz.	Disconnect and reconnect the power. If problem is not solved, obtain an appropriate controller or AC transformer.
ERR3	Controller lost the position of camshaft. Camshaft should be rotating to find Home position.	Wait for 2 minutes: the controller returns to Home position. An hourglass icon flashes to indicate that the motor is running.
	Camshaft does not rotate.	Check: <ul style="list-style-type: none"> • motor connections; • if motor wire harness is connected to the motor; • if motor wire harness is connected to the controller; • optical sensor connection and position; • if motor and camshaft gears are engaged.
		If everything is connected, try replacing in this order: <ul style="list-style-type: none"> • wire harness; • motor; • optical sensor; • controller; See 9.4. Cleaning and maintenance, page 54.
	Camshaft rotates for more than 5 minutes to find Home position.	Check: <ul style="list-style-type: none"> • optical sensor connection and position; • camshaft connection; • camshaft slots cleanness.
If motor keeps rotating indefinitely, replace the following components in this order: <ul style="list-style-type: none"> • wire harness; • motor; • optical sensor; • controller. See 9.4. Cleaning and maintenance, page 54.		

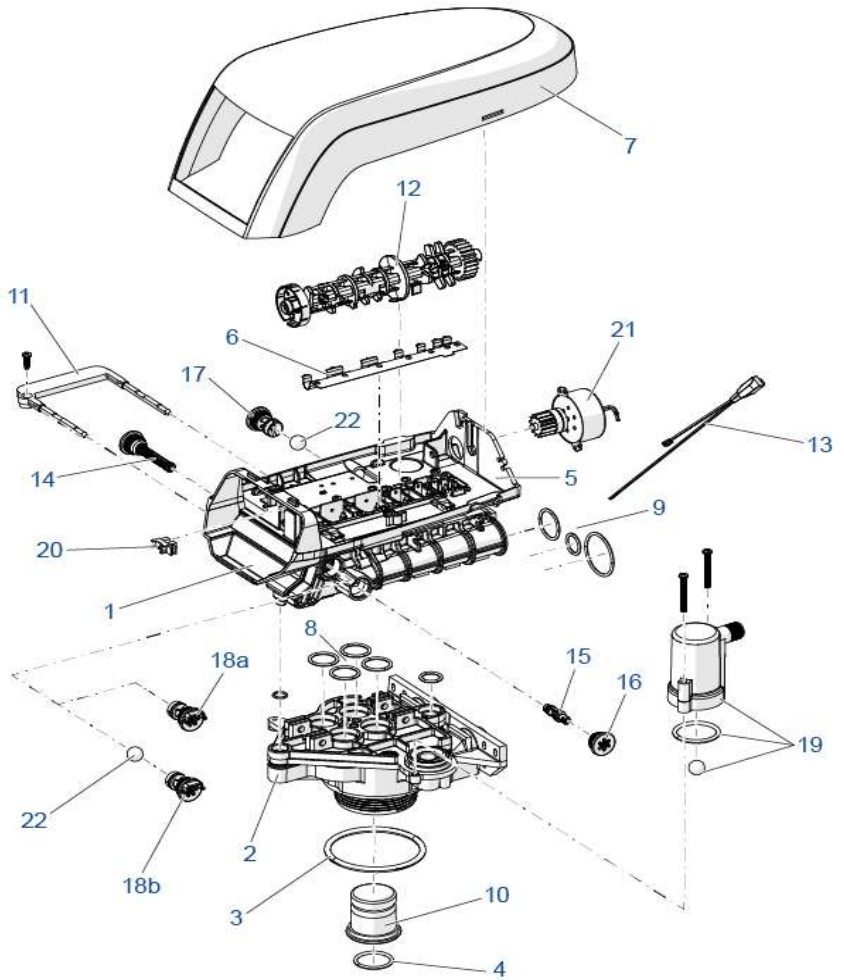
Issue	Cause	Reset and recovery
- - : - -	Power failure occurred.	Press  to reset the time.
Brine tank overflow.	Uncontrolled brine refill flow rate.	Remove brine controller to clean ball and seat.
	Air leak in brine line to air check.	Check all connections in brine line for any leaks.
	Drain control clogged with resin or other debris.	Clean drain control.
Flowing or dripping water at drain or brine line after regeneration.	Valve stem return spring is weak.	Replace the spring.
	Valve disc can not close because of debris.	Remove debris.
Hard water leakage after regeneration.	Improper regeneration.	Control brine dosage setting and repeat regeneration.
	Leaking of external bypass valve.	Replace bypass valve.
	O-ring around riser pipe damaged.	Replace o-ring.
	Incorrect capacity.	Verify appropriate brine amount and system capacity.
Controller will not draw brine.	Low water pressure.	Control and adjust setting according to instructions.
	Restricted drain line.	Remove restriction.
	Injector plugged.	Clean injector and screen.
	Injector defective.	Replace injector and cap.
	Valve disc 2 and/or 3 not closed.	Remove foreign matter from the disc. Check if the disc can close by pushing on stem. Replace the disc if needed.
	Air check valve prematurely closed.	Put controller momentarily into brine refill (C8 - cycle). Replace or repair air check if needed.
Controller will not regenerate automatically.	AC transformer or motor are not connected.	Connect the power.
	Defective motor.	Replace motor.
Controller regenerates at wrong time of day.	Controller set incorrectly.	Correct time setting according to instructions. See 6.3.5. Regeneration time, page 38.

Issue	Cause	Reset and recovery
Valve will not draw brine.	Low water pressure.	Set pump to maintain 1.4 bar at softener.
	Restricted drain line.	Change drain to remove restriction.
	Injector plugged.	Clean injector and screen.
	Injector defective.	Replace injector.
	Air check valve closes prematurely on 255 valve or brine pickup tube.	Put controller momentarily into brine cycle (C2). Replace or repair air check if needed.
System using more or less salt than brine setting.	Foreign matter in valve causing incorrect flow rates.	Remove brine controller and flush out foreign matter. Then advance controller to brine cycle (C2) to clean valve (after so doing controller goes to "2nd fast rinse" cycle (C7) to remove any brine from tank).
Intermittent or irregular brine draw.	Low water pressure.	Set pump to maintain 1.4 bar at softener.
	Defective injector.	Replace injector.
No conditioned water after regeneration.	No brine in brine tank.	Add brine to brine tank.
	Injector plugged.	Clean injector and screen.
	Air check valve closes prematurely.	Put controller momentarily into brine cycle (C2). Replace or repair air check if needed.
Backwashes or purges at excessively low or high rate.	Incorrect drain control used.	Replace with correct size controller.
	Foreign matter affecting valve operation.	Remove drain control and clean ball and seat.
No water flow display when water is flowing on 760 controller.	Bypass valve in bypass.	Shift bypass valve to non-bypass position.
	Meter probe disconnected or not fully connected to meter housing.	Fully insert probe into meter housing.
	Restricted meter turbine rotation due to foreign matter in meter.	Remove meter housing, free up turbine and flush with clean water. Turbine should spin freely. If not, replace meter.

Issue	Cause	Reset and recovery
Run out of conditioned water between regenerations.	Improper regeneration.	Control brine dosage set and repeat regeneration.
	Incorrect brine setting.	Set P6 to proper level. See 6.3.8. Amount of brine used per regeneration, page 39.
	Incorrect hardness or capacity settings.	Set to correct values. See 6.3. Basic programming, page 36.
	Water hardness has increased.	Set hardness to new value. See 6.3.10. Hardness (760 on-demand controller only), page 40.
	Restricted meter turbine rotation due to foreign matter in meter.	Remove meter housing, free up turbine and flush with clean water. Turbine should spin freely. If not, replace meter.
Brine tank overflow.	Brine valve disc 1 being held open by foreign matter.	Manually operate valve stem to flush away obstruction.
	Valve disc 2 not closed during brine draw causing brine refill.	Flush out foreign matter holding disc open by manually operating valve stem.
	Air leak in brine line to air check.	Check all connections in brine line for any leaks.
	Improper drain control for injector.	Use of small drain control with larger injector will reduce draw rates.
	Drain control clogged with resin or other debris.	Clean drain control.

11. Spare parts

11.1. Valve parts list



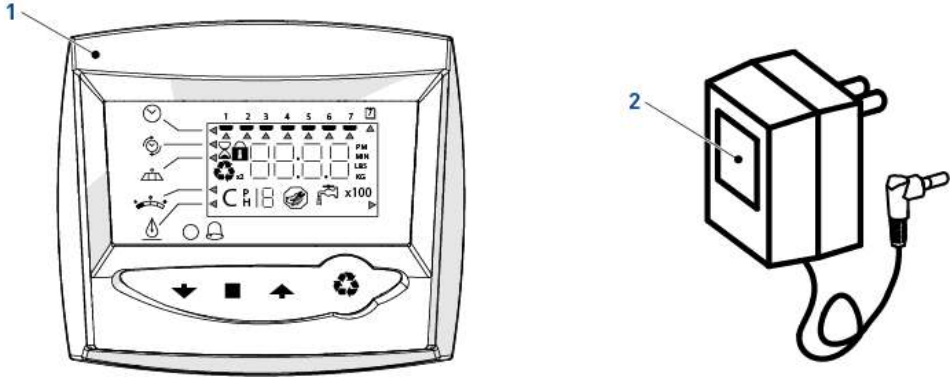
Item	Part number	Description	Assembly quantity
1	1244650	255 valve assembly, without flow controls	1
2	1033784	255 tank adapter new style	1
3	1010154	O-ring EP	1
4	1232370	O-ring EP	1
5	1235340	Top plate, 255 valve, 700/860 series controller	1
6	1235341	Spring, one-piece, 255 valve	1
7	1236246	Cover, valve, 255/Performa, 700/860	1
*	1267672	Slim line cover 255 700/800	1
8	1001404	O-ring group: tank adapter	4
9	1040459	O-ring group: piping boss	1
10	1001986	13/16" rubber insert (optional)	1
*	1000250	Valve disk kit - standard/sev	1
*	1239760	Blending valve kit 900/700 series top plate	1
11	-	Locking bar	1
*	1031402	Multilingual locking bar	1
*	1234170	Locking bar screw no. 8-9/16"	1
12	-	Camshaft options	1
*	1235353	Cam 255/700-860 series valve, STD, black	1
13	1238861	Motor + cable 700 series controller	1
14	1000226	Screen/cap assembly with o-ring	1
15	-	Injector (high efficiency) options	1
*	1035730	"E" Inj (high efficiency) - yellow (6" diameter vessels)	1
*	1035731	"F" Injector (high efficiency) - peach (7" diameter vessels)	1
*	1035732	"G" Inj (high efficiency) - tan (8" diameter vessels)	1
*	1035733	"H" Inj (high efficiency) - lt purple (9" diameter vessels)	1
*	1035734	"J" Inj (high efficiency) - lt blue (10" diameter vessels)	1
*	1035735	"K" Inj (high efficiency) - pink (12" diameter vessels)	1
*	1035736	"L" Inj (high efficiency) - orange (13-14" diameter vessels)	1
16	1000269	Injector cap with o-ring	1

Item	Part number	Description	Assembly quantity
17	-	Drain control assembly with o-ring	1
*	1000208	N°6	1
*	1000209	No.7 (1.2 gpm; 4.5 Lpm)	1
*	1000210	No.8 (1.6 gpm; 6.1 Lpm)	1
*	1000211	No.9 (2.0 gpm; 7.6 Lpm)	1
*	1000212	No.10 (2.5 gpm; 9.5 Lpm)	1
*	1000213	No.12 (3.5 gpm; 13.2 Lpm)	1
*	1000214	No.13 (4.1 gpm; 15.5 Lpm) no ball	1
*	1000215	No.14 (4.8 gpm; 18.2 Lpm) no ball	1
18A	1243510	Brine refill controller, .33 gpm, no ball	1
19	-	Air check kit	1
*	1032416	Air check kit 3/8" male	1
*	1032417	Air check kit 1/4" male (Std)	1
20	1235373	Module, sensor, photo interrupter	1
21	1238861	Motor with spacer pinion, cable, 700 series controller, 12V, 50/60 Hz	1
*	3029962	Motor locking pin (white)	1
22	1030502	Ball, flow control internal up to no.12 inclusive	1
*	1033066	New to old style air check adapter	1
*	1244336	Chlorine generator kit, 0.33 gpm	1
*	1266065	Cord, long, chlorine generator	1
*	1242411	Extension cord 50 cm for cabinets (motor, opt. sens., turbine wires)	1
*	1235446	Turbine cable, Logix, short	1
*	1239711	Switch kit, front mount, 0.1 amp	1
*	1239752	Switch kit, front mount, 5 amp	1
*	1239753	Switch kit, top plate mount, 0.1 amp	1

* Not shown

11.2. Options and special kits

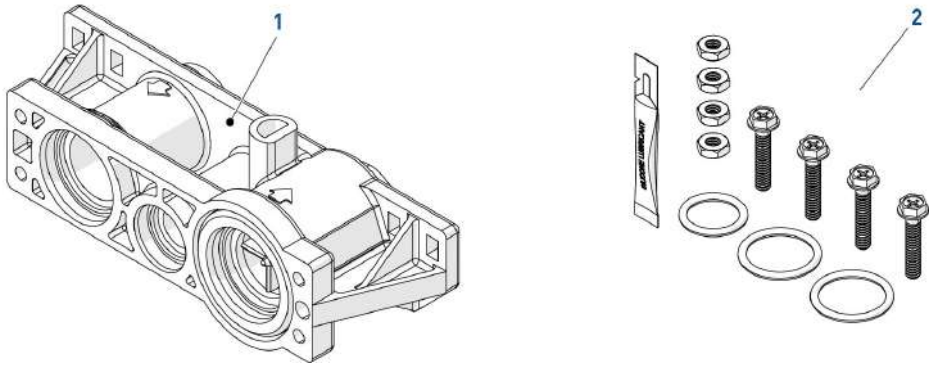
740/760 Controller



Item	Part number	Description	Assembly quantity
1	-	Electronics modules/controllers	1
*	1242147	Logix 740 controller - picto diode/picto without diode/picto filter	1
*	1242165	Logix 760 controller - picto diode/picto without diode/picto filter	1
2	-	Transformer	1
*	1000813	British	1
*	1000814	European	1
*	1030234	Transformer extension cord 4.5 m [15 ft]	1

* Not shown

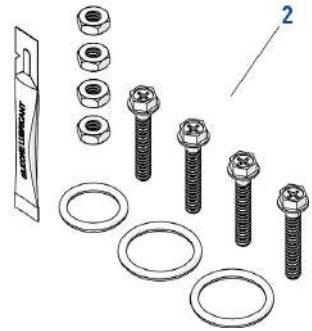
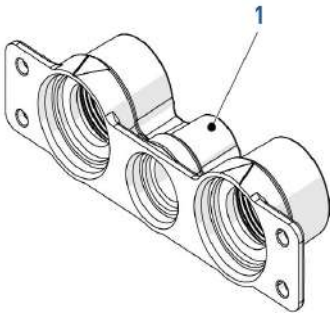
Meter adapter



Item	Part number	Description	Assembly quantity
1	1032350	Meter adapter kit	1
2	1040524	Piping boss/meter install kit	1
*	1234259	Male plastic piping boss 1" BSP + int. turbine	1
*	1234260	Male plastic piping boss 3/4" BSP + int. turbine	1

* Not shown

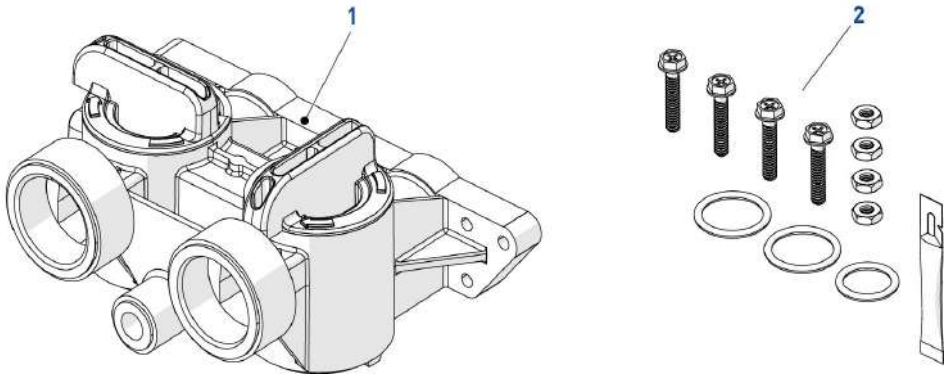
Piping boss (manifold)



Item	Part number	Description	Assembly quantity
1	3023761	Piping boss 3/4" BSPT stainless steel 3/8" BSPT drain	1
*	3023747	Piping boss 1" BSPT stainless steel 1/2" BSPT drain	1
*	1040283	Piping boss 3/4" BSPT Noryl 1/2" BSPT drain	1
2	1040524	Piping boss/meter install kit	1
*	3028275	3/8" drain elbow for manifold	1
*	E01220	3/8" drain connector	1
*	3028272	1/2" drain elbow for manifold	1
*	1036988	1/2" drain connector for manifold	1
*	1234255	Male plastic piping boss 1" BSP	1
*	1234256	Male plastic piping boss 3/4" BSP	1

* Not shown

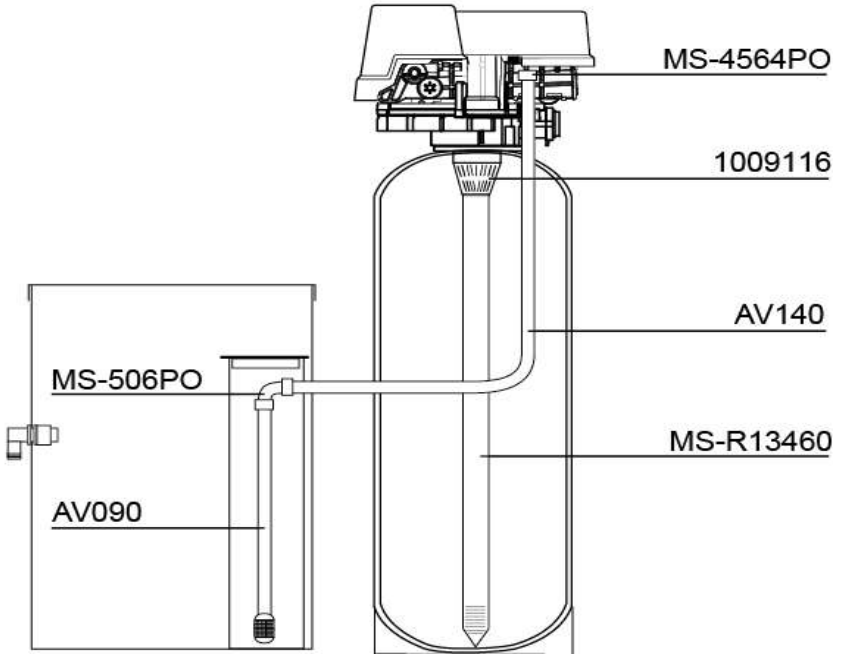
Bypass & connections



Item	Part number	Description	Assembly quantity
1	1040769	Bypass body assy (includes bypass installation kit)	1
2	1040524	Bypass installation kit	1
*	1034302	Bypass repair kit (rotor seals & clips)	1
*	3028264	Drain elbow for bypass 256	1
*	3023824	3/4" BSPT stainless steel pipe adapter kit	1
*	3023807	1" BSPT stainless steel pipe adapter kit	1
*	1001608	22 mm copper tube adapter kit	1
*	1001615	32 mm PVC tube adapter kit	1
*	1001614	1" PVC tube adapter kit	1
*	1001613	3/4" PVC tube adapter kit	1
*	1030541	Gasket for 1" pipe or tube	4
*	1034385	Adapter nut 1-1 1/4" bakelite	4
*	1030540	Plumbing adapter 3/4" copper tube	1
*	1030545	Plumbing adapter 1" copper tube	1
*	3014557	Plumbing adapter for 1" NPT stainless steel	1
*	3013737	Plumbing adapter for 3/4" BSPT stainless steel (replaces	1
*	1030574	Plumbing adapter for 22 mm copper tube	1
*	1030578	Plumbing adapter for 3/4" CPVC pipe	1
*	1030579	Plumbing adapter for 1" CPVC pipe	1
*	1000982	Plumbing adapter for 3/4" BSPT plastic male thread	1
*	1001422	Plumbing adapter for 1" BSPT plastic male thread	1

* Not shown

Valve installation kits



Item	Part number	Description	Assembly quantity
Kit-255/1	3029815	Comprises MS-4564PO; CC-D1203; MS-RI3460; AV090	1
MS-4564PO	E01240	Air check elbow (CA40) 1/4" FNPT- 3/8" T	1
*	1009116	Upper screen	1
MS-RI3460	3028263	Riser tube 1.050"	1
AV090	3028267	Brine tube 3/8" with screen	1
MS-506PO	E01140	Union elbow 3/8" T - 3/8" T	1
AV140	E01480	Tubing 3/8" roll of 30 m	1
*	3029860	Kit mounting 255-1" 35" L without tubing	1

* Not shown

12. Disposal

The device must be scrapped in accordance with directive 2012/19/EU or the environmental standards in force in the country of installation. The components included in the system must be separated and recycled in a waste recycling center that conforms with the legislation in force in the country of installation. This will help to reduce the impact on the environment, health, safety and help to promote recycling. Pentair does not collect used product for recycling. Contact your local recycling center for more information.





www.pentairaqueaeurope.com