

mr.steam

SAH3000

Start-Up & Troubleshooting Guide

mr.steam® steambaths

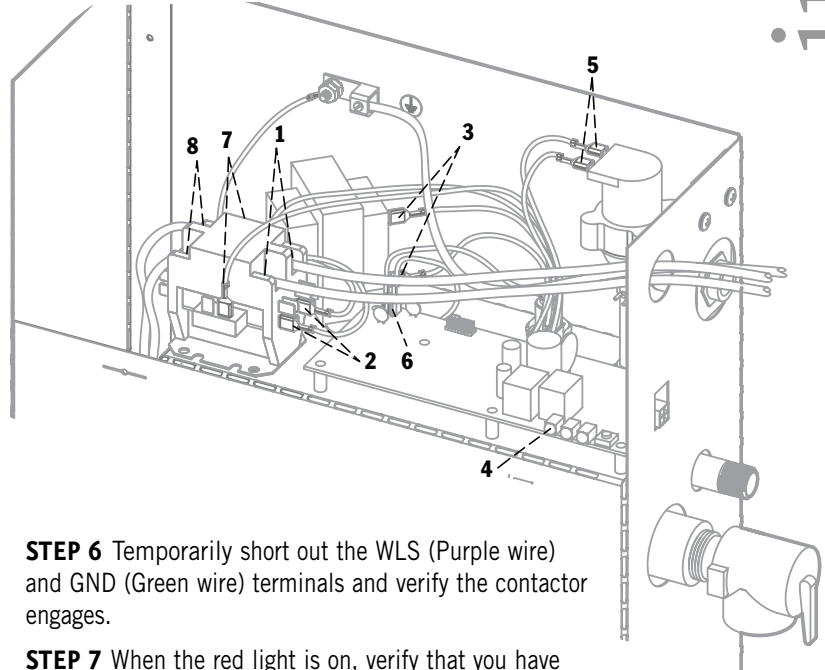
INITIAL START-UP AND CHECKOUT

1. Turn on control. Follow specific instructions pages 12.
2. Steam will begin to appear in approximately 5 minutes at the steam head.
3. Steam will shut off automatically when 20 minute timer is up. To shut steam off manually, press SteamStart™ again. To clear steam from enclosure area, turn shower on before opening door.
4. If unit does not start and SteamStart backlight does not turn on, then turn breaker off for 2 seconds and try again.

TROUBLESHOOTING

⚠ WARNING ELECTRICAL SHOCK HAZARD. Mr.Steam steam generators are connected to 240V line voltage and contain live electrical components. All installation and service to be performed by qualified and licensed electricians and plumbers only. Installation or service by unqualified persons or failure to use Mr. Steam parts may void the warranty.

- STEP 1** Check your main incoming power to the unit.
- STEP 2** Verify the transformer is receiving 208/240 VAC.
- STEP 3** Verify that you have 24VAC coming out of the transformer, WHT & WHT/BLU wires, into the board.
- STEP 4** Verify that you have the green light on the PC board.
- STEP 5** Verify that you have 24 VAC to the water feed solenoid, GRY & WHT/GRY wires (will fill when needed).



- STEP 6** Temporarily short out the WLS (Purple wire) and GND (Green wire) terminals and verify the contactor engages.
- STEP 7** When the red light is on, verify that you have 24 VAC, RED & WHT/RED wires, to the contactor.
- STEP 8** Check to see that you have your main voltage on the load side of the contactor when it is engaged.

SYSTEM STATUS

The control STEAMSTART™ may blink if the steam generator is not functioning properly.

MEANING	PROBABLE CAUSE	SUGGESTED REMEDY
Water level is not satisfied within 5 min.	Water Supply is off	Turn on Water Supply
	Defective water feed solenoid	Check/replace water solenoid valve
	Water feed probe not functioning	Check/clean probe. Check probe wiring.
	Drain Valve Open	Check/Close drain valve
Incorrect Field Supply Voltage (green light on liquid level control board will be off)	Incorrect voltage supplied to Generator	Supply steam generator with the correct voltage noted on the data plate label.
Button on control is pressed for more than 5 minutes	Debris behind overlay cover	Replace SteamStart button
Liquid Level Control Board malfunction	Memory error in LLCB	Press SteamStart button Replace LLCB if code remains.