



**“CMP & C” Series
Custom Metered Series
CC Valve**

**AUTOMATIC WATER
CONDITIONERS**

**INSTALLATION, OPERATION, AND
MAINTENANCE MANUAL**

FILL IN FOR FUTURE REFERENCE

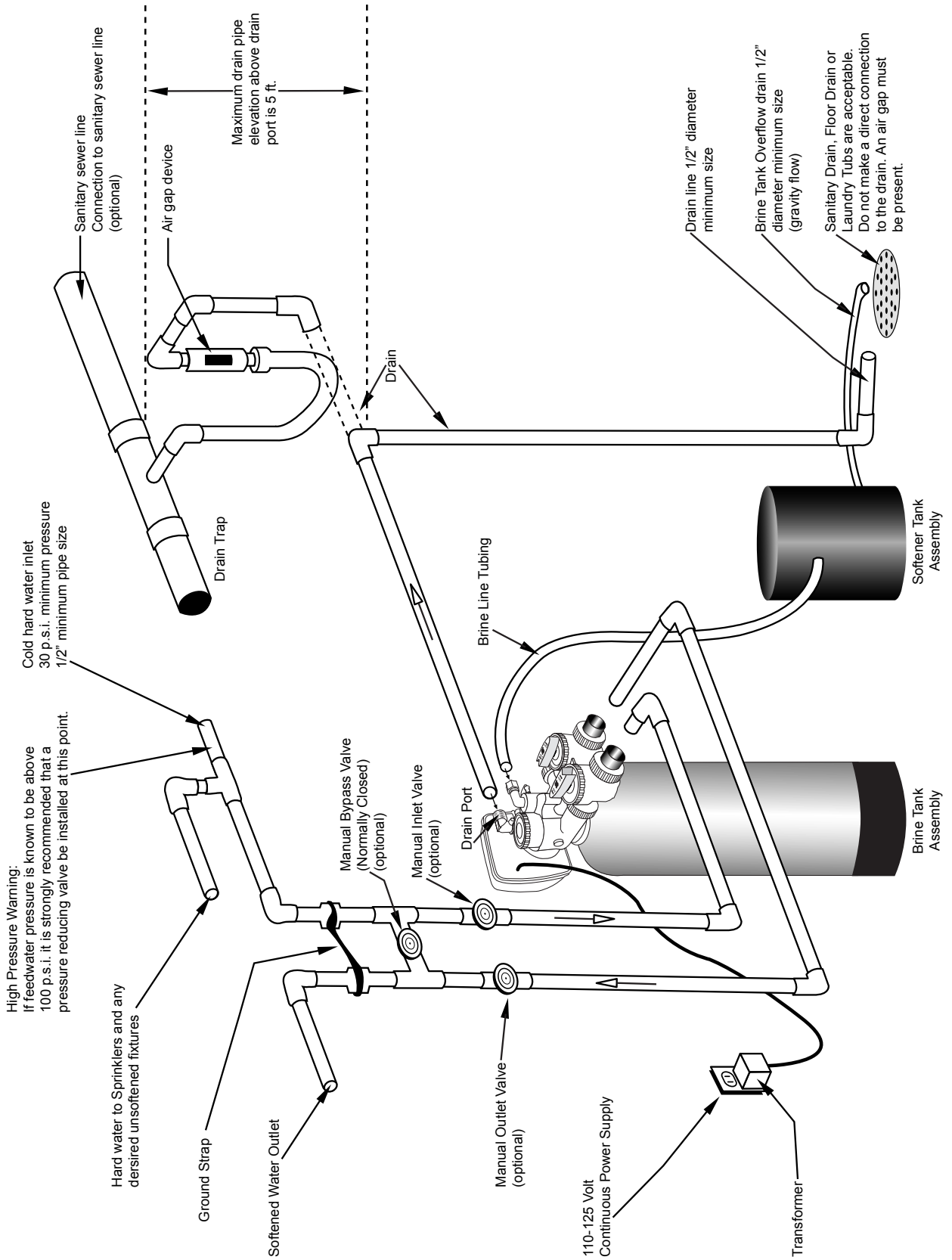
MODEL NO: _____
SERIAL NO: _____
DATE INSTALLED: _____
DEALER: _____

SPECIFICATION TABLE

Model Number	Units	CMP-22K	CMP-30K	CMP-40K	CMP-45K	CMP-60K	CMP-22-C	CMP-30-C
Exchange Capacity Kilograms	MAX	22,836	30,448	38,060	45,672	60,896	22,836	30,448
	MID	19,509	26,012	32,515	39,018	52,024	19,509	26,012
	MIN	14,514	19,352	24,190	29,028	38,704	14,514	19,352
Salt Per Regeneration Lbs. / Regen.	MAX	11.25	15.00	18.75	22.50	30.00	11.25	15.00
	MID	8.00	10.00	13.00	15.00	20.00	8.00	10.00
	MIN	4.00	5.00	6.00	8.00	10.00	4.00	5.00
Max Service Flow (1)	GPM	16.00	15.00	16.00	17.00	20.00	16.00	15.00
Pipe Size In - Out Drain	INS	1"	1"	1"	1"	1"	1"	1"
	INS	¾"	¾"	¾"	¾"	¾"	¾"	¾"
Operating Pressure Range	PSI	30-125	30-125	30-125	30-125	30-125	30-125	30-125
Maximum Operating Temperature	DEG F	110	110	110	110	110	110	110
Mineral Tank Size (Dia. x Ht.) (2)	INS.	8 x 44	9 x 48	10 x 47	10 x 54	12 x 52	8 x 35	10 x 35
Brine Tank (Dia. x Ht.) (3)	INS.	18 x 33	18 x 33	18 x 33	18 x 40	18 x 40		
Salt Storage	LBS.	375	375	375	375	450	250	250
Resin Volume	CU FT.	0.75	1.00	1.3	1.5	2.00	0.75	1.00
Electrical	VOLT. / FREQ.	120 Volts 60 Hz						
Injector	COLOR / CODE	Violet/C	Red/D	White/E	White/E	Blue/F	Violet/C	White/E
Shipping Weight	LBS.	72	105	110	119	137	77	91
Floor Space	INS.	27 x 18	28 x 18	29 x 16	29 x 16	31 x 18	13.5 x 22.5	13.5 x 22.5
Overall Ht.	INS.	52	56	54	62	60	42	42
Max. Drain Flow During Regeneration	GPM	1.7	2.2	2.7	2.7	3.2	1.7	2.7
Regeneration Waste Volume (6)	GAL.	60	80	95	95	120	60	75

NOTE:

- (1) Pressure drop not to exceed 15 psi.
- (2) Pressure vessels are seamless and made of reinforced fiberglass, pressure tested at 300 psi.
- (3) Brine tanks are fabricated of seamless, rigid, tough, high impact, non-toxic polyethylene.
- (4) Product materials and workmanship are protected with a written warranty.
- (5) Untreated water provided during all steps of regeneration.
- (6) Waste water volumes based on “normal” length regeneration, 15 lb./cu.ft. salt dosage, 50 psi inlet pressure.



Typical Water Softener Installation



“CMP & C” Series Automatic Water Conditioners

Installation Fitting Assemblies

Installation fittings connect to the control valve or the bypass valve **using nuts that only require hand tightening.** Hand tight nut connections between control valve and installation fittings, control valve and bypass valve, and bypass valve and installation fittings allow for ease serviceability. **Do not use a pipe wrench** to tighten nuts on installation fittings. **Hand tighten only.**

Split ring retainer design holds the nut on and allows load to be spread over the entire nut surface area reducing the chance for leakage. The split ring design, incorporated into the installation fittings allows approximately 2 degrees off axis alignment to the plumbing system. The installation fittings are designed to accommodate minor plumbing misalignments but are not designed to support the weight of a system or the plumbing.

When assembling the installation fitting package, connect the fitting to the plumbing system first and then attach the nut, split ring and o-ring. Heat from soldering or solvent cements may damage the nut, split ring or o-ring. Solder joints should be cool and solvent cements should be set before installing the nut, split ring and o-ring. Avoid getting primer and solvent cements on any part of the o-rings or split rings, bypass valve or control valve. Solvent cements and primers should be used in accordance with the manufacturer's instructions.

Slip the nut onto the fitting first, then the split ring second and the o-ring last. hand tighten the nut. If the fitting is leaking, tightening the nut will not stop the leak. Remove the nut, remove the fitting, and check for damage or misalignment of the o-ring.

Do not use the pipe dope or other sealant on threads. Teflon tape must be used on the threads of the 1" NPT elbow and the 1/4" NPT connection and on the threads for the drain line connection. Teflon tape is not necessary on the nut connection or caps because of o-ring seals.

Do not use Vaseline, oils or other unacceptable lubricants on o-rings. A silicon lubricant may be used on black o-rings.

Bypass Valve

The bypass valve easily connects to the control valve body using nuts that only require hand tightening. Hand tighten nut connections between control valve and fittings, control valve and bypass valve, and bypass valve and installation fittings allow for easy serviceability. The split ring retainer design holds the nut on and allows load to be spread over the entire nut surface area reducing the chance for leakage. The split ring design, incorporated into the bypass, allows approximately 2 degrees off axis alignment to the plumbing system. The bypass is designed to accommodate minor plumbing misalignments but is not designed to support the weight of a system or the plumbing.

Avoid getting primer and solvent cements on any part of the o-rings or split rings, bypass valve or control valve. Do not use pipe dope or other sealant on threads. Teflon tape is not necessary on the caps because of o-ring seals.

Do not use Vaseline, oil or other unacceptable lubricants on o-rings. A silicon lubricant may be used on black o-rings.

A. GENERAL

1. Shut off all water at main supply valve.
2. **Shut off the fuel supply to water heater.**
3. Open faucets (hot and cold) nearest pump or water meter to relieve pressure and drain system.
4. Move softener into the installation position. Loosely attach all fittings to measure for bypass valve assembly (if used), or manual bypass valve.
5. Level the unit. Place shims under cabinet or brine tank as needed.
(Do Not use metal shims.)
6. Cut the **cold water** supply line as required.
7. Install the bypass valve assembly if used.

B. PLANNING INSTALLATION

1. All installation procedures must conform to local plumbing, electrical and sanitation codes and ordinances.
2. It is recommended that outside faucets for lawn service be on the hard water line, ahead of the softener, to conserve softened water, save salt and prevent lawn damage.
3. If this isn't practical, use the convenient integral bypass valve assembly during irrigation flows.
CAUTION: The inlet water temperature MUST NOT exceed 120° F.
4. Do not locate softener where ambient temperature drops below 40° F.
5. Allow space around the softener for ease of servicing.
6. The softener drain lines must never be solidly connected to the sewer line. (Always provide an air gap at the END of the drain line). Valve drain line must not be elevated over 5' from the top of the softener on well systems, and not over 8' on municipal water systems.
7. The salt storage cabinet or brine tank is a gravity drain, and this drain line must be lower than the drain fitting on the side wall of the cabinet.
8. Move the softener into position and connect to bypass assembly (if used). The integral manual bypass option is a connection which eliminates the need for a 3-valve manifold. This makes installation easier and provides a more convenient method of bypassing.
9. **IMPORTANT:** Be sure that the water inlet line is connected to the “inlet” side of the bypass valve or to the inlet fitting. (Bypass valve both inlet/outlet fittings are marked.) If water lines are reverse, (inlet/outlet) resin may be forced from the water softener into the household plumbing system. If this occurs, household plumbing system must be flushed clean.

C. CONNECT ALL FITTINGS (refer to previous page)

CAUTION: Care must be used when working with copper tubing. Do not allow the flame from torch to contact any portion of the Valve assembly.

1. Attach 1/2" drain line to drain elbow with insert and nut. Use optional 3/4" drain fittings if drain run exceeds 25 ft.
2. Do not elevate the drain line over 5' above the top of the valve (8' on municipal systems) or to exceed 25' in length at either height.

CAUTION: An air gap must be provided upon sewer entry. (Conform to local plumbing and sanitation codes and ordinances).

3. The salt storage cabinet or brine tank provides an overflow. Attach 1/2" ID flexible plastic tubing to the overflow fitting and direct it to the drain. **DO NOT** connect to the main drain line. Use a separate gravity flow line.

D. PRESSURE TEST THE INSTALLATION

The plumbing system can now be checked for any possible leaks

1. Put the unit into backwash. To do this, push and hold the REGEN button for 3-5 seconds. When the Valve stops cycling, unplug the unit. With water supply off, put the bypass into the service position.
2. Open water supply line valve very slowly. Water should escape slowly from the drain line. If water enters too quickly, resin may be lost to the drain.
3. When all of the air has been purged from the mineral tank (water flows steadily from the drain) open the main supply valve fully.
4. Allow water to run to drain until clear. CHECK FOR LEAKS!
5. Plug the unit back in.
6. Manually step the unit through the remaining steps, stopping at the fill cycle (to do this, push the REGEN button. The unit will say Brine on the screen). Once the piston has stopped moving, push the REGEN button again to the next cycle. Continue until Fill appears on the screen. The unit will now fill the brine tank to the appropriate level. (This sequence is for softeners with post fill brine)
7. Allow control to return to the home position.
8. Check for leaks!
9. Make sure the power cord is plugged into a properly grounded wall receptacle.

E. MANUAL REGENERATION

The user can initiate manual regeneration. The user has the option to request a manual regeneration at the delayed regeneration time or to have the regeneration occur immediately:

1. Pressing and releasing the REGEN button. “Regen Today” will flash on the display and the regeneration will occur at the delayed regeneration time. The user can cancel the request by pressing and releasing the REGEN button. This method of manually initiating regeneration is not allowed when the system is set to immediately regenerate when the gallon capacity reaches zero.
2. Pressing and holding the REGEN button for approximately 3 seconds will immediately start the regeneration. The user cannot cancel this request.

NOTE: Program Timer “Lockout” Feature

The Program Timer is initially set to allow access to all Programming, Diagnostic and History screens

The Installer can limit access to (lockout) most screens by activating the Lockout Feature.

Activating “Lockout” allows the user to view and change only Water Hardness, Days Override, Time of Regeneration and Time of day.

Activate “Lockout” Feature: Press then NEXT then then SET CLOCK in sequence. LOC will briefly appear in the display.

De-activate “Lockout” Feature: Press then NEXT then then SET CLOCK. UNLOC will briefly appear in the display.

When in operation normal user displays such as time of day, gallons remaining or days remaining before regeneration are shown. When stepping through a procedure if no buttons are pressed within five minutes the display returns to a normal user display. Any changes made prior to the five minute time out are incorporated. The one exception is current flow rate display under the diagnostic procedure. The current flow rate display has a 30 minute time out feature.

Control Valve Function and Cycles of Operation

This glass filled Noryl¹ fully automatic control valve is designed as the primary control center to direct and regulate all cycles of a water softener or filter. When the control valve is set up as a softener, the control valve can be set to perform down flow or up flow regeneration with the proper piston. When the control valve is set up as a filter, the control valve can be set to perform down flow regeneration or simply backwash. The control valve can be set to regenerate on demand (consumption of a predetermined amount of water) and/or as a time clock (passage of a particular number of days). The control valve can be set so that the softener can meet the Water Quality Association (WQA) or NSF International efficiency rating.

The control valve is compatible with a variety of regenerants and resin cleaners. The control valve is capable of routing the flow of water in the necessary paths to regenerate or backwash water treatment systems. The injector regulates the flow of brine or other regenerants. The control valve regulates the flow rates for backwashing, rinsing and the replenishing of treated water into a regenerant tank, when applicable.

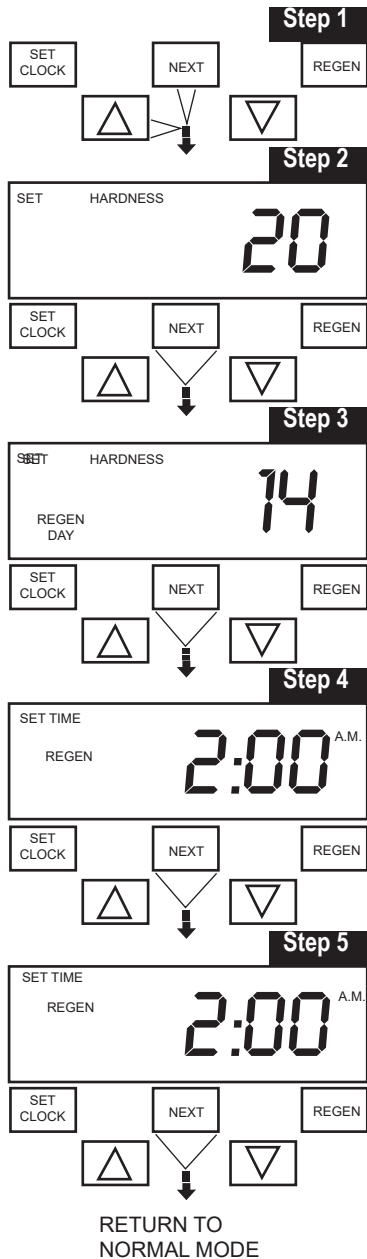
The control valve is designed to deliver high service (27 gpm @ 15 psig) and backwash (27 gpm @ 25 psig) flow rates when the bypass has straight fittings and a 1.050" distributor. The control valve uses no traditional fasteners (e.g. screws), instead clips, threaded caps, nuts and snap type latches are used. Caps and nuts only need to be firmly hand tightened because radial seals are used. Tools required to service the valve include one small blade screwdriver, pliers and a pair of hands. Disassembly for servicing takes much less time than comparable products currently on the market. Control valve installation is made easy because the distributor tube can be cut 1/2" above to 1/2" below the top of the tank thread. The distributor tube is held in place by an o-ring seal and the control valve also has a bayonet lock feature for upper distributor baskets.

The transformer power pack comes with a 15-foot power cord and is designed for use with the control valve. The transformer power pack is for dry location use only. The control valve remembers all settings for two hours if the power goes out. After two hours, the only item that needs to be reset is the time of day; all other values are stored in the memory. The control valve does not need batteries.

Table 3 shows the order of the cycles when the valve is set up as a softener. When the control valve is used as a down flow softener, two backwashes always occur. When the control valve is used as an up flow softener, only one backwash occurs after brining. The installer has the option of having the regenerant refill after the rinse cycle or have the regenerant prefill before regeneration. If the installer chooses to have the regenerant prefill before regeneration, the prefill starts two hours before the regeneration time set. During the 2-hour period in which the brine is being made, treated (softened) water is still available. For example: regeneration time = 2:00 A.M., prefill option selected, downflow softener. Fill occurs at 12:00 A.M., start of backwash cycle occurs at 2:00 A.M.

1 - Noryl is a trademark of General Electric

Table 3 Regeneration Cycles
1st Cycle: Backwash Normal
2nd Cycle: Regenerate
3rd Cycle: Backwash Normal
5th Cycle: Rinse
6th Cycle: Fill



Installer Displays/Settings

STEP 1 - Press NEXT and simultaneously for 3 seconds.

STEP 2 - Hardness: Set the amount of hardness in grains of hardness as calcium carbonate per gallon using the or buttons. Value ranges from 1 to 150 in 1 grain increments. Note the grains per gallon can be increased if soluble iron needs to be reduced. This display will show “-nA-” if “FILTER” is selected or if ‘AUTO’ is not selected. Press NEXT to go to step 3. Press REGEN to exit Installer Displays/Settings.

STEP 3 - Day Override: When gallon capacity is set to off, set the number of days between regenerations. When gallon capacity is set to AUTO or to a number, set the maximum number of days between regenerations. If value set to “oFF” regeneration initiation is based solely on gallons used. If value is set as a number (allowable range from 1 to 28) a regeneration initiation will be called for on that day even if sufficient number of gallons were not used to call for a regeneration. Set Day Override using or buttons:

- number of days between regeneration (1 to 28); or
- “oFF”

Press NEXT to go to step 4. Press REGEN to return to previous step.

STEP 4 - Next Regeneration Time (hour): Set the hour of day for regeneration using or buttons. AM/PM toggles after 12. The default time is 2:00 a.m. This display will show “REGEN on 0 GAL” if “on 0” is selected in by the installer. Press NEXT to go to Step 5. Press REGEN to return to previous step.

STEP 5 - Next Regeneration Time (minutes): Set the minutes of day for regeneration using or buttons. This display will not be shown if “on 0” is selected by the installer (2 a.m. is the factory setting). Press NEXT to exit Installer Displays/Settings. Press REGEN to return to previous step. To initiate a manual regeneration immediately, press and hold the “REGEN” button for three seconds. The system will begin to regenerate immediately. The control valve may be stepped through the various regeneration cycles by pressing the “REGEN” button.

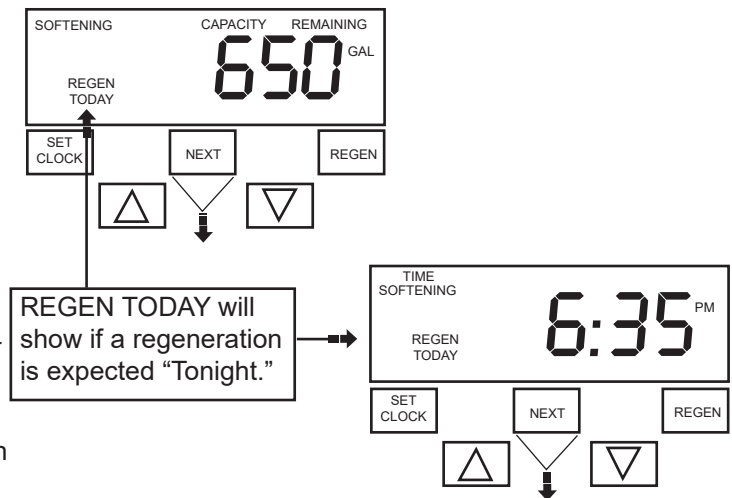
General Operation

When the system is operating one of two displays will be shown. Pressing NEXT will alternate between the displays. One of the displays is always the current time of day which has to be set (see pg.9). Capacity remaining is the number of gallons that will be treated before the system goes through a regeneration cycle. The user can scroll between the displays as desired.

If the system has called for a regeneration that will occur at the preset time of regeneration, the words REGEN TODAY will appear on the display.

When water is being treated (i.e. water is flowing through the system) the word “Softening” or “Filtering” flashes on the display.

User Displays/Settings



Regeneration Mode

Typically a system is set to regenerate at a time of low water usage. An example of a time with low water usage is when a household is asleep. If there is a demand for water when the system is regenerating, untreated water will be used.

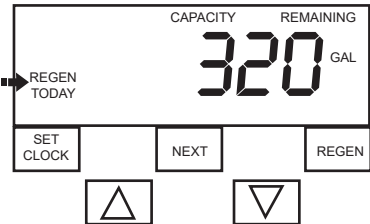


When the system begins to regenerate, the display will change to include information about the step of the regeneration process and the time remaining for that step to be completed. The system runs through the steps automatically and will reset itself to provide treated water when the regeneration has been completed.

Manual Regeneration

Sometimes there is a need to regenerate the system, sooner than when the system calls for it, usually referred to as manual regeneration. There may be a period of heavy water usage because of guests or a heavy laundry day.

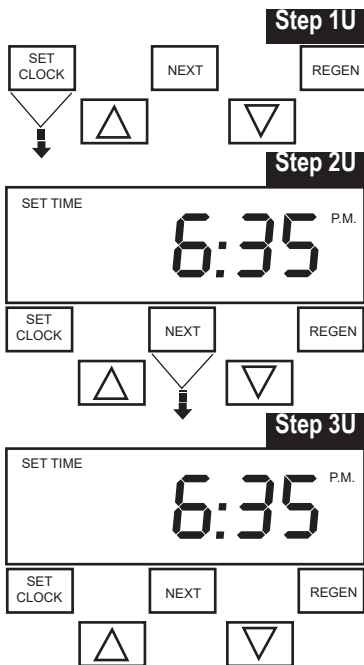
REGEN TODAY will show if a regeneration is expected "Tonight."



To initiate a manual regeneration at the preset delayed regeneration time, press and release "REGEN". The words "REGEN TODAY" will flash on the display to indicate that the system will regenerate at the preset delayed regeneration time. If you pressed the "REGEN" button in error, pressing the button again will cancel the request. Note: If the regeneration time option is set to "on 0" there is no set delayed regeneration time so "REGEN TODAY" will not activate if "REGEN" button is pressed.

To initiate a manual regeneration immediately, press and hold the "REGEN" button for three seconds. The system will begin to regenerate immediately. The request cannot be cancelled.

Note: For softeners, if brine tank does not contain salt, fill with salt and wait at least two hours before regenerating.



Set Time of Day

The user can also set the time of day. Time of day should only need to be set after extended power outages or when daylight saving time begins or ends and at the time of start-up. If an extended power outage occurs, the time of day will flash on and off which indicates the time of day should be reset.

STEP 1U - press SET CLOCK.

STEP 2U - Current Time (hour): Set the hour of the day using or buttons. AM/PM toggles after 12. Press NEXT to go to step 3U.

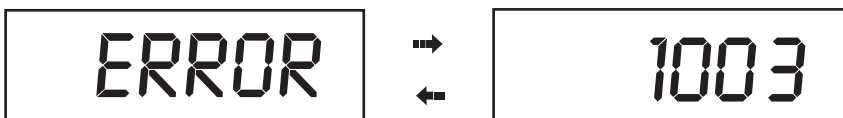
STEP 3U - Current Time (minutes): Set the minutes of the day using or buttons. Press NEXT to exit Set Clock. Press REGEN to return to previous step.

Power Loss

If the power goes out for **less than two hours**, the system will automatically reset itself. If an extended power outage occurs, the time of day will flash on and off which indicates the time of day should be reset. The system will retain the other information entered by the installer.

Error Message

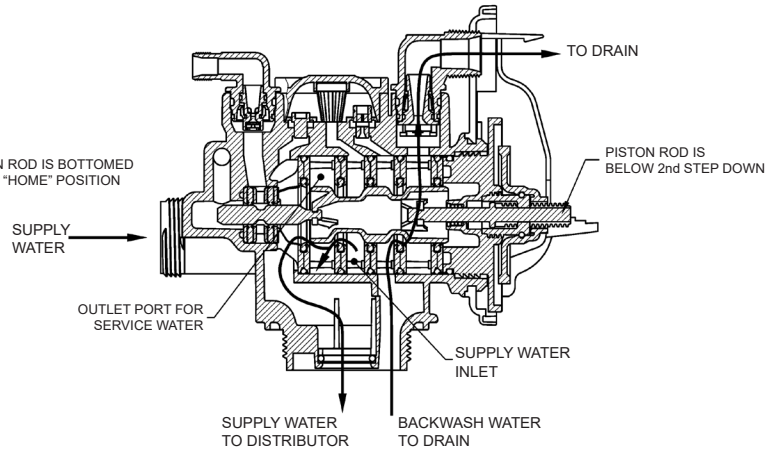
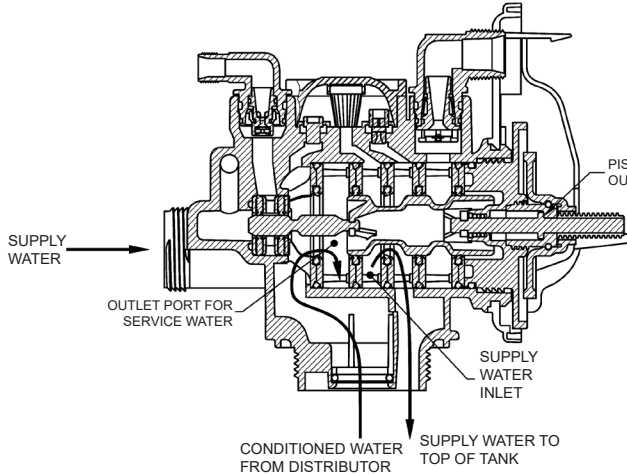
If the word "ERROR" and a number are alternately flashing on the display contact the Installer for help. This indicates that the valve was not able to function properly. Refer to "Troubleshooting" for "ERROR RESET" procedure.



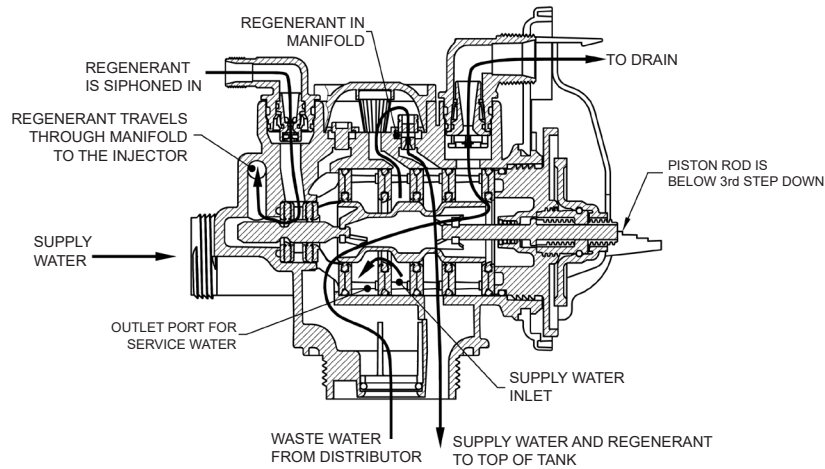
FLOW DIAGRAMS

flow diagram...service

flow diagram...backwash

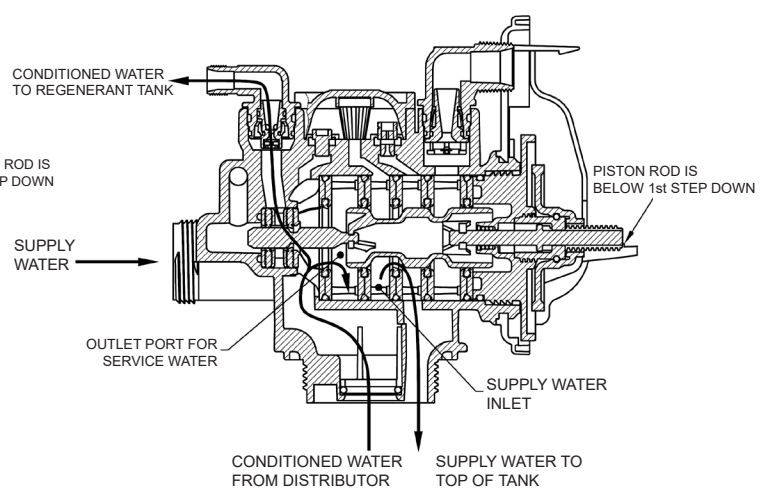
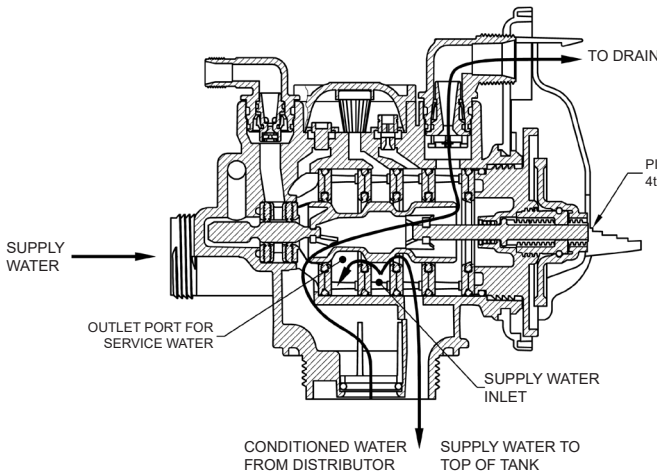


flow diagram...downflow brine



flow diagram...rinse

flow diagram...fill

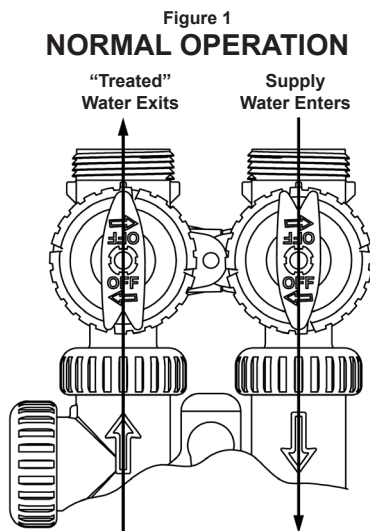


Bypass Valve

The bypass valve is typically used to isolate the control valve from the plumbing system's water pressure in order to perform control valve repairs or maintenance. The WS1 bypass valve is particularly unique in the water treatment industry due to its versatility and state of the art design features. The 1" full flow bypass valve incorporates four positions including a diagnostic position that allows service personal to work on a pressurized system while still providing untreated bypass water to the facility or residence. Its completely non-metallic, all plastic, design allows for easy access and serviceability without the need for tools.

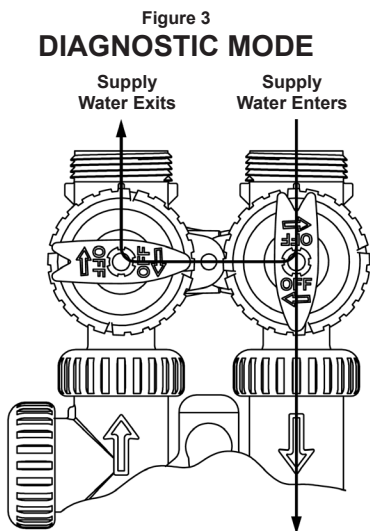
The bypass body and rotors are glass filled Noryl and the nuts and caps are glass filled polypropylene. All seals are self-lubricating EPDM to help prevent valve seizing after long periods of non-use. Internal o-rings can easily be replaced if service is required.

The bypass consists of two interchangeable plug valves that are operated independently by red arrow shaped handles. The handles identify the flow direction of the water. The plug valves enable the bypass valve to operate in four positions.



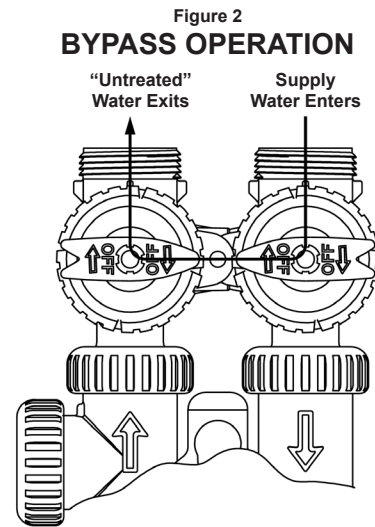
Normal Operation:

The inlet and outlet handles point in the direction of flow indicated by the engraved arrows on the control valve. Water flows through the control valve during normal operation and this position also allows the control valve to isolate the media bed during the regeneration cycle.



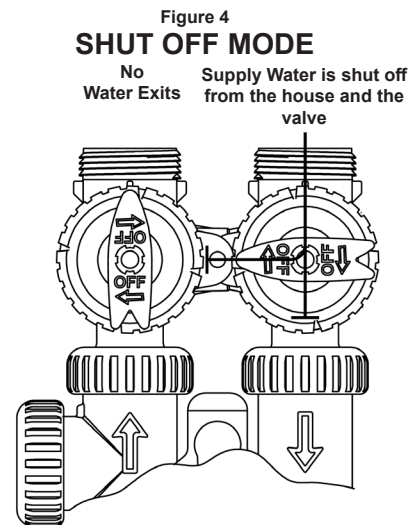
Diagnostic:

The inlet handle points in the direction of flow and the outlet handle points to the center of bypass valve, system water pressure is allowed to the control valve and the plumbing system while not allowing water to exit from the control valve to the plumbing.



Bypass:

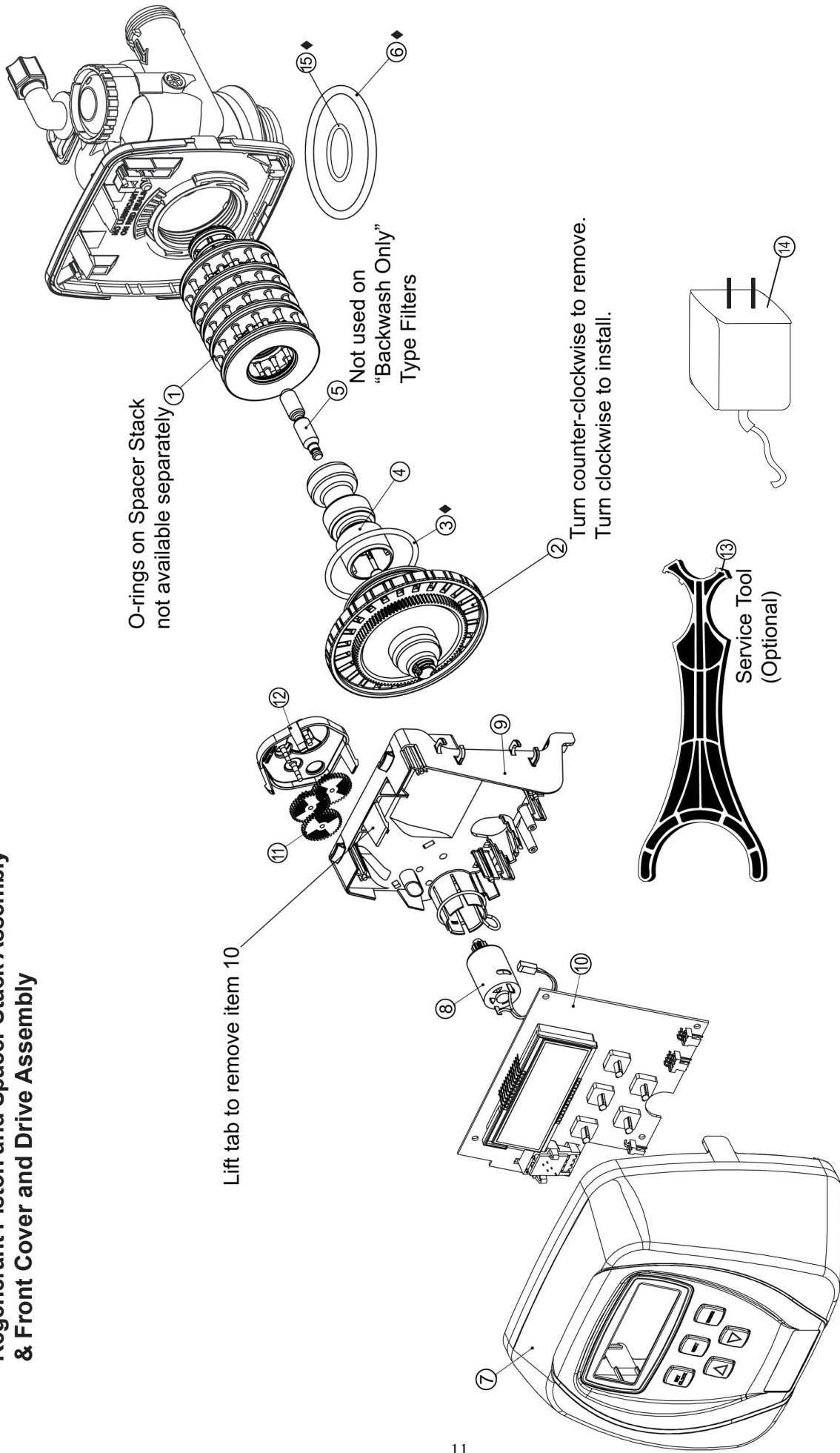
The inlet and outlet handles point to the center of the bypass, the control valve is isolated from the water pressure contained in the plumbing system. Untreated water is supplied to the plumbing system.



Shut Off:

The inlet handle points to the center of the bypass valve and the outlet handle points in the direction of flow, the water is shut off to the plumbing system. If water is available on the outlet side of the softener it is an indication of water bypass around the system (i.e. a plumbing connection somewhere in the building bypasses the system).

**Drive Cap Assembly, Downflow Piston,
Regenerant Piston and Spacer Stack Assembly
& Front Cover and Drive Assembly**



O-rings on Spacer Stack
not available separately ①

Lift tab to remove item 10

Not used on
"Backwash Only"
Type Filters

Turn counter-clockwise to remove.
Turn clockwise to install.

Service Tool
(Optional)

◆ Part of Kit, O-ring (Item #51)

Drive Cap Assembly, Downflow Piston, Upflow Piston, Regenerant Piston and Spacer Stack Assembly

Item No.	Part No.	Description	Quantity
1	V3005	*Spacer Stack Assembly with o-rings	1
2	V3004	Drive Cap Assembly	1
◆ 3	V3135	O-Ring 228 (use Valve O-ring Kit)	1
▲ 4	V3011	Piston Downflow Assembly	1
⊗ 5	V3174	Regenerant Piston	1
◆ 6	V3180	O-Ring 337 (use Valve O-ring Kit)	1
◆ 15	V3105	O-Ring 215 (use Valve O-ring Kit)	1

▲ Item #4 identified with “DN” code.

⊗ Item #5 not used with Backwash Only filter applications.

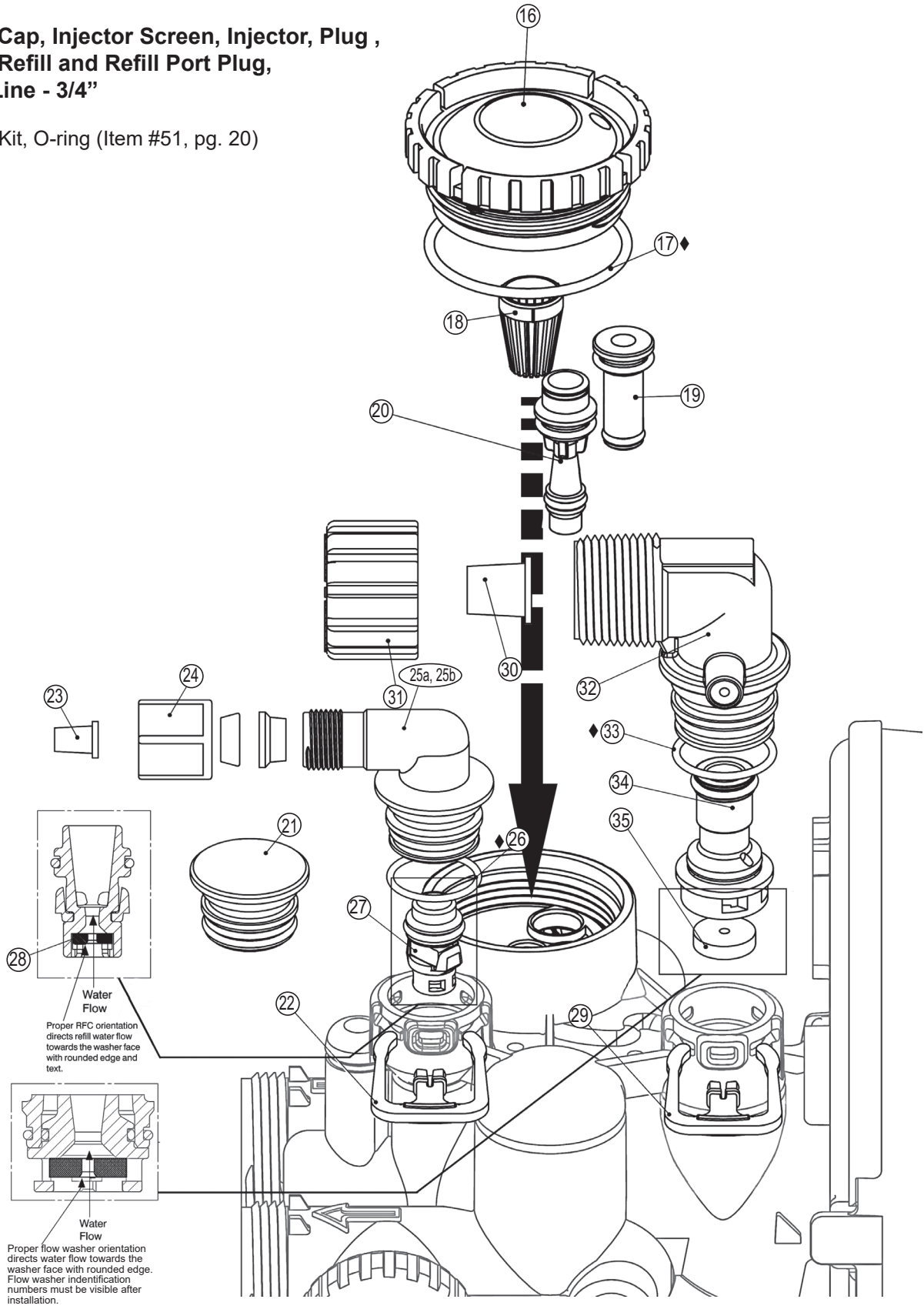
◆ See page 20 for Valve O-ring Kit.

Front Cover and Drive Assembly

Item No.	Part No.	Description	Quantity
7	V3175CC-01	Front Cover ASSY	1
8	V3107-01	Motor	1
9	V3106-01	Drive Bracket & Spring Clip	1
10	V3108	PC Board	1
11	V3110	Drive Gear 12 x 36	3
12	V3109	Drive Gear Cover	1
13	V3193-01	Service Tool	1
14	V3186	Transformer 110V - 12V	1

**Injector Cap, Injector Screen, Injector, Plug ,
O-Ring, Refill and Refill Port Plug,
& Drain Line - 3/4”**

◆ Part of Kit, O-ring (Item #51, pg. 20)



Injector Cap, Injector Screen, Injector, Plug and O-Ring

Item No.	Part No.	Description		Quantity
16	V3176	Injector Cap		1
◆17	V3152	O-Ring 135 (Use Valve O-ring Kit)		1
18	V3177	Injector Screen		1
19	V3010-1Z	Injector Assembly Z Plug	See note	1
20	V3010-1A	Injector Assembly A Black		
	V3010-1B	Injector Assembly B Brown		
	V3010-1C	Injector Assembly C Violet		
	V3010-1D	Injector Assembly D Red		
	V3010-1E	Injector Assembly E White		1
	V3010-1F	Injector Assembly F Blue		
	V3010-1G	Injector Assembly G Yellow		
	V3010-1H	Injector Assembly H Green		
	V3010-1I	Injector Assembly I Orange		
	V3010-1J	Injector Assembly J Light Blue		
V3010-1K	Injector Assembly K Light Green			

*The injector plug and the injector each contain one 011 (lower) and 013 (upper) o-ring.

Note: For downflow brine, injector is located in the down hole and injector plug in the up hole.
For a filter that only backwashes injector plugs are located in both holes.

Refill and Refill Port Plug

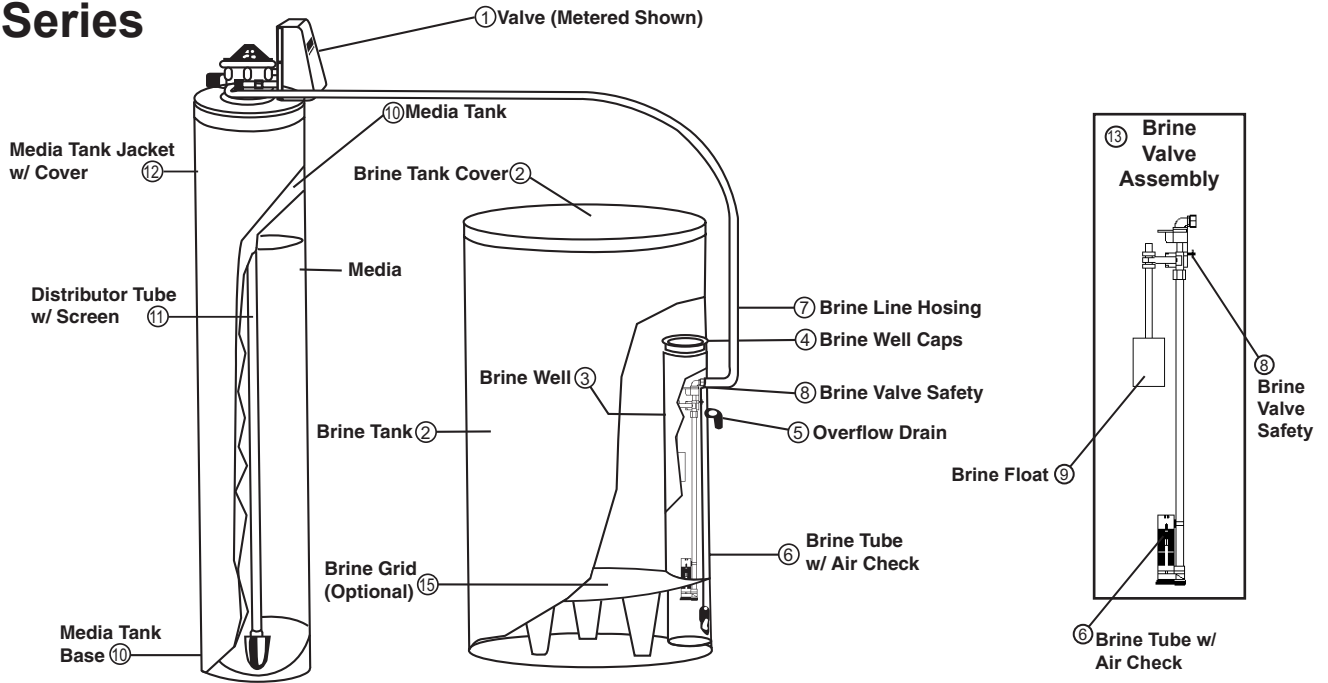
Drawing No.	Order No.	Description	Quantity
21	V3195-01	Refill Port Plug Assembly	This part is required for backwash only systems
22	H4615	Elbow Locking Clip	1
23	JCP-P-6	Polytube insert 3/8	1
24	JCPG-6PBLK	Nut 3/8	1
25a	H4613	Elbow Cap 3/8	(use w/ 3/8" tubing) 1
25b	H4650	Elbow 1/2" with nut and insert	(use w/ 1/2" tubing) Option
◆26	V3163	O-Ring 019 (Use Valve O-ring Kit)	1
27	V3165-01	RFC Retainer Assembly*	1
28		RFC Brine Refill Flow Washer	1

*Assembly includes RFC.

Drain Line - 3/4"

Drawing No.	Order No.	Description	Quantity
29	H4615	Elbow Locking Clip	1
30	PKP10T58-BULK	Polytube insert 5/8	Option
31	V3192	Nut 3/4 Drain Elbow	Option
32	V3158-01	Drain Elbow 3/4 Male Assembly	1
◆33	V3163	O-Ring 019 (Use Valve O-ring Kit)	1
34	V3159-01	Drain Flow Washer Retainer Assembly	1
35	V3162-007	Drain Flow Washer 0.7 gpm for 3/4	One DLFC must be used if 3/4 fitting is used
	V3162-010	Drain Flow Washer 1.0 gpm for 3/4	
	V3162-013	Drain Flow Washer 1.3 gpm for 3/4	
	V3162-017	Drain Flow Washer 1.7 gpm for 3/4	
	V3162-022	Drain Flow Washer 2.2 gpm for 3/4	
	V3162-027	Drain Flow Washer 2.7 gpm for 3/4	
	V3162-032	Drain Flow Washer 3.2 gpm for 3/4	
	V3162-042	Drain Flow Washer 4.2 gpm for 3/4	
V3162-053	Drain Flow Washer 5.3 gpm for 3/4		

"C" Series



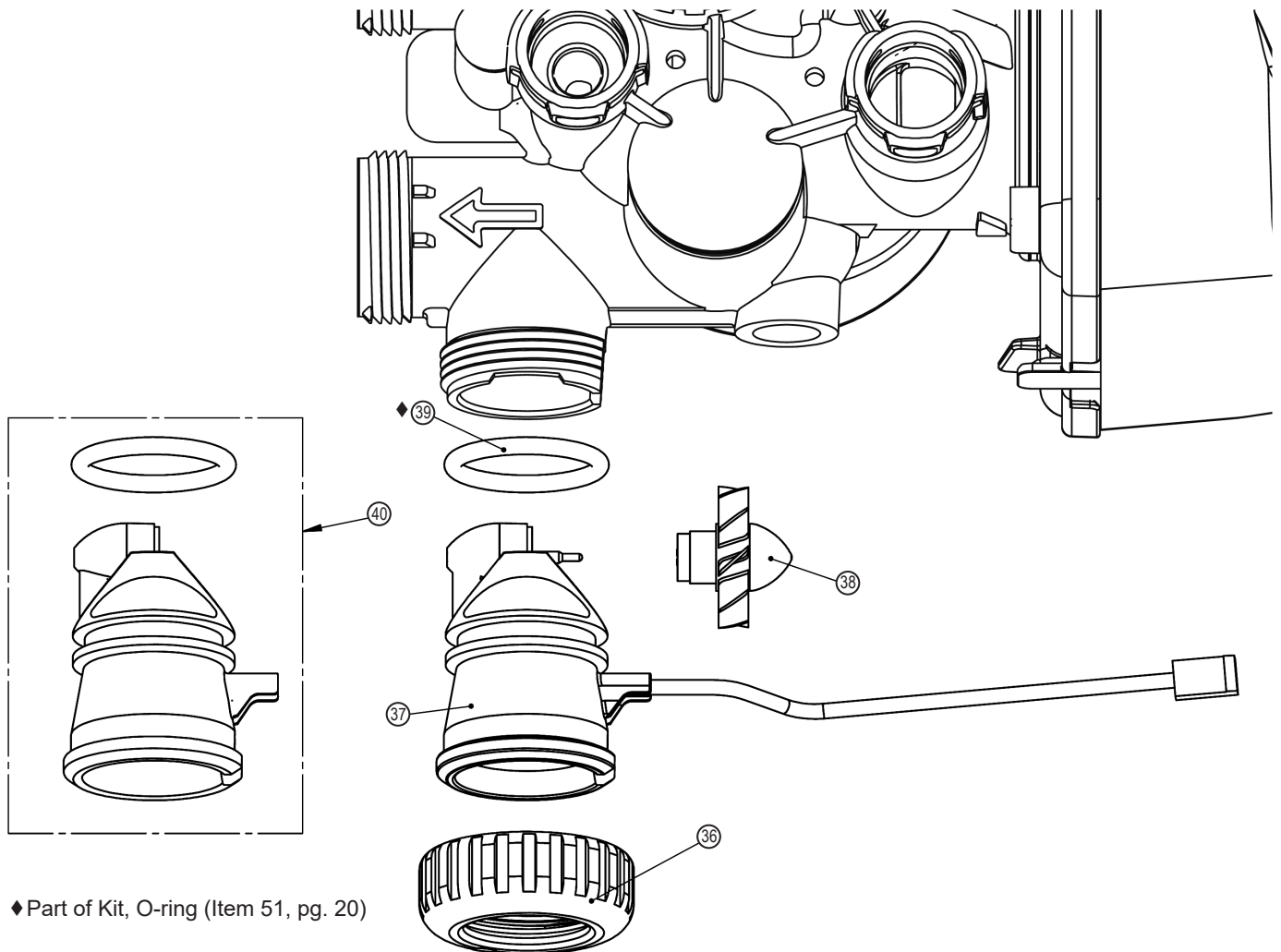
Parts Listing

Part Number	No.	Description
	1	Valve Metered (Complete - Specify Model)
	2	Brine Tank w/ Cover
	3	Brine Well
	4	Brine Well Cap
	5	Overflow Elbow
	6	Brine Tube w/ Air Check
	7	Brine Line Hose w/ Inserts
	8	Brine Valve Safety
	9	Brine Float
	--	Media (Specify Model)
	11	Distributor Tube Assembly - Specify Model
	12	Media Tank Jacket w/ cover - Optional
	13	* Brine Valve Assembly - Complete - Includes #'s 6, 8, & 9
	15	*Grid (Optional)

Water Meter and Meter Plug

Item No.	Part No.	Description	Quantity
36	V3151	Nut 1" Quick Connect	1
*37	V3003	Meter Assembly	1
38	V3118-01	Turbine Assembly	1
39	V3105	O-Ring 215 (Use Valve O-ring Kit)	1
40	V3003-01	Meter Plug Assembly (Time clock option)	1

*Item #37 includes Items #38 & #39.



Item No.	Part No.	Description	Quantity
41	V3151	Nut 1" Quick Connect	2
42	V3150	Split Ring	2
●43	V3105	O-Ring 215 (Kit available - see Item #10)	2
44	V3145	Bypass 1" Rotor	2
45	V3146	Bypass Cap	2
46	V3147	Bypass Handle	2
47	V3148	Bypass Rotor Seal Retainer	2
●48	V3152	O-Ring 135 (use Bypass Valve Kit)	2
●49	V3155	O-Ring 112 (use Bypass Valve Kit)	2
●50	V3156	O-Ring 214 (use Bypass Valve Kit)	2

●Part of Kit, O-ring By-Pass(Item 52)

◆ Valve O-ring Kit

51		KIT O-ring (contains 1 each of 3, 6, 15, 17, 26, & 33)	1 per valve
----	--	--	-------------

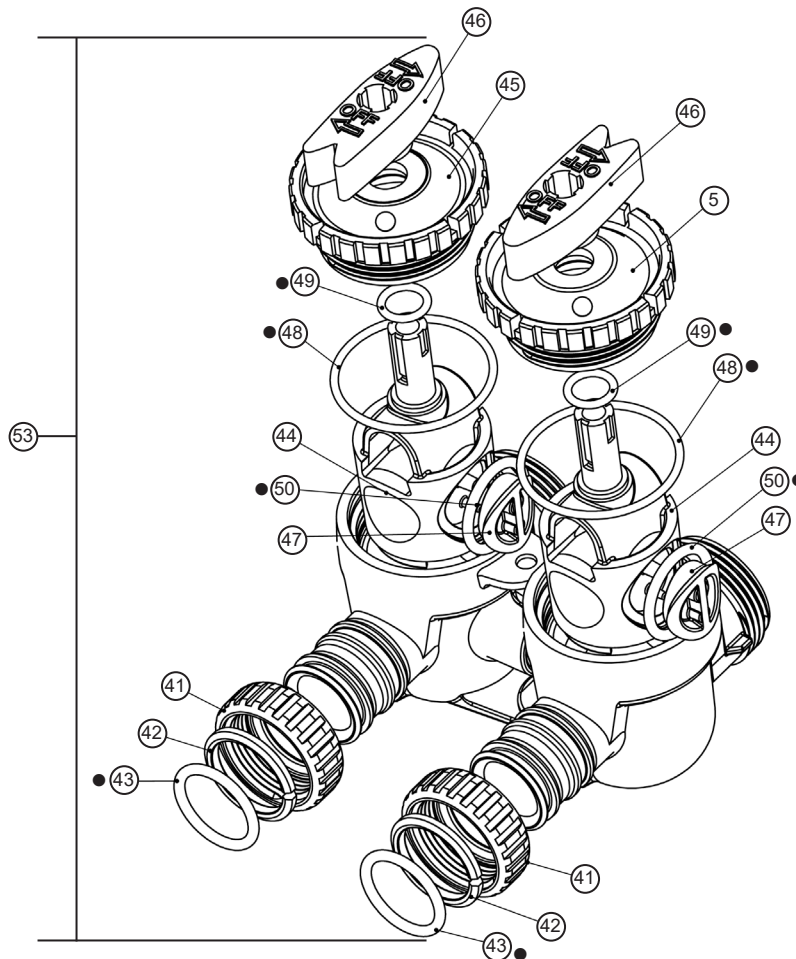
● Bypass Valve O-ring Kit

52		KIT O-ring Bypass (Incl. 2 ea. of items 43,48,49,& 50)	1 per valve
----	--	--	-------------

(Not Shown) Description Bypass Vertical Adapter Assembly

Complete Assembly

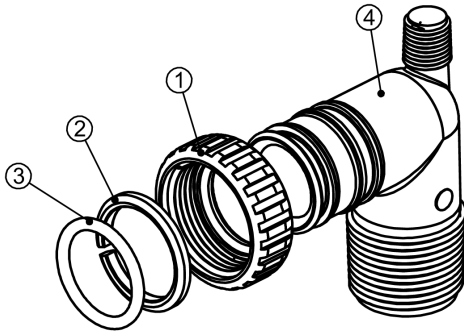
53	A23540231	Bypass Valve Complete / Less Connectors	1 per valve
----	-----------	---	-------------



Order No: **V3007 (Standard)**

Description: **Fitting 1" PVC Male NPT Elbow Assembly**

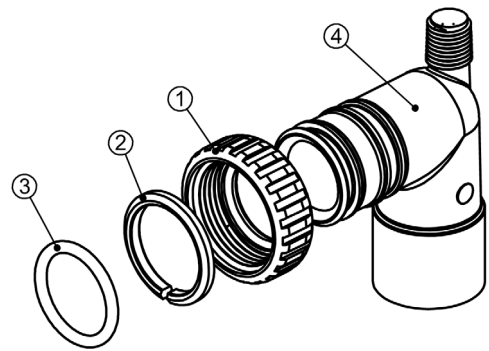
Drawing No.	Order No.	Description	Quantity
1	V3151	Nut 1" Quick Connect	2
2	V3150	Split Ring	2
3	V3105	O-Ring 215	2
4	V3149	Fitting 1" PVC Male NPT Elbow	2



Order No: **V3007-01 (Optional)**

Description: **Fitting 3/4" & 1" PVC Solvent 90° Asy**

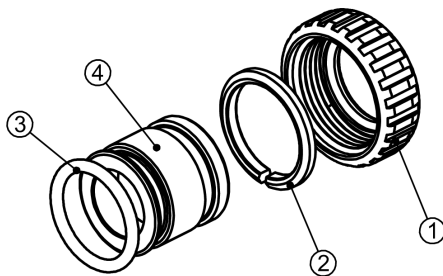
Drawing No.	Order No.	Description	Quantity
1	V3151	Nut 1" Quick Connect	2
2	V3150	Split Ring	2
3	V3105	O-Ring 215	2
4	V3189	Fitting 3/4&1 PVC Solvent 90	2



Order No: **V3007-02 (Optional)**

Description: **Fitting 1" Brass Sweat Assembly**

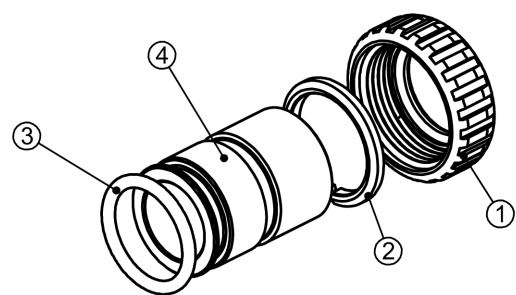
Drawing No.	Order No.	Description	Quantity
1	V3151	Nut 1" Quick Connect	2
2	V3150	Split Ring	2
3	V3105	O-Ring 215	2
4	V3188	Fitting 1" Brass Sweat	2



Order No: **V3007-03 (Optional)**

Description: **Fitting 3/4" Brass Sweat Assembly**

Drawing No.	Order No.	Description	Quantity
1	V3151	Nut 1" Quick Connect	2
2	V3150	Split Ring	2
3	V3105	O-Ring 215	2
4	V3188-01	Fitting 3/4" Brass Sweat	2



**Table 15
Troubleshooting Procedures**

Problem	Possible Cause	Solution
1. Timer does not display time of day	a. Transformer unplugged	a. Connect power
	b. No electric power at outlet	b. Repair outlet or use working outlet
	c. Defective transformer	c. Replace transformer
	d. Defective PC board	d. Replace PC board
2. Timer does not display correct time of day	a. Switched outlet	a. Use uninterrupted outlet
	b. Power outage	b. Reset time of day
	c. Defective PC board	c. Replace PC board
3. No softening/filtering display when water is flowing	a. Bypass valve in bypass position	a. Put bypass valve in service position
	b. Meter connection disconnected	b. Connect meter to PC board
	c. Restricted/stalled meter turbine	c. Remove meter and check for rotation or foreign material
	d. Defective meter	d. Replace meter
	e. Defective PC board	e. Replace PC board
4. Control valve regenerates at wrong time of day	a. Power outages	a. Reset control valve to correct time of day
	b. Time of day not set correctly	b. Reset to correct time of day (a.m./p.m.)
	c. Time of regeneration incorrect	c. Reset regeneration time (a.m./p.m.)
	d. Control valve set at “on 0” (immediate regeneration)	d. Check control valve set-up procedure regeneration time option
	e. Control valve set at NORMAL + on 0	e. Check control. valve set-up procedure regeneration time option
5.ERROR followed by code number 1001 Error Code - Unable to recognize start of regeneration 1002 Error Code - Unexpected stall 1003 Error Code - Motor ran to long, timed out trying to reach next cycle position 1004 Error Code - Motor ran to long, timed out trying to reach home position If other Error Codes display contact the factory ERROR Reset Procedure: 1. Correct error condition. 2. Press NEXT and REGEN simultaneously for three seconds.	a. Control valve has just been serviced	a. Press NEXT and REGEN for 3 seconds or unplug power source jack (black wire) and plug back in to reset control valve
	b. Foreign matter is lodged in control valve	b. Check piston and spacer stack assembly for foreign matter
	c. High drive forces on piston	c. Replace piston(s) and spacer stack assembly
	d. Control valve piston not in home position	d. Press NEXT and REGEN for 3 seconds or unplug power source jack (black wire) and plug back in to reset control valve
	e. Motor not inserted fully to engage pinion, motor wires broken or disconnected, motor failure	e. Check motor and wiring. Replace motor if necessary
	f. Drive gear label dirty or damaged, missing or broken gear	f. Replace or clean drive gear(s)
	g. Drive bracket incorrectly aligned to back plate	g. Reseat drive bracket properly
	h. PC board is damaged or defective	h. Replace PC board
	i. PC board incorrectly aligned to drive bracket	i. Ensure PC board is correctly snapped on to drive bracket

Troubleshooting Procedures (continued)

Problem	Possible Cause	Solution
6. Control valve stalled in regeneration	a. Motor not operating	a. Replace motor
	b. No electric power at outlet	b. Repair outlet or use working outlet
	c. Defective transformer	c. Replace transformer
	d. Defective PC board	d. Replace PC board
	e. Broken drive gear or drive cap assembly	e. Replace drive gear or drive cap assembly
	f. Broken piston retainer	f. Replace drive cap assembly
	g. Broken main or regenerant piston	g. Replace main or regenerant piston
7. Control valve does not regenerate automatically when REGEN button is depressed and held	a. Transformer unplugged	a. Connect transformer
	b. No electric power at outlet	b. Repair outlet or use working outlet
	c. Broken drive gear or drive cap assembly	c. Replace drive gear or drive cap assembly
	d. Defective PC board	d. Replace PC board
8. Control valve does not regenerate automatically but does when REGEN button is depressed	a. By-pass valve in bypass position	a. Put control valve in service position
	b. Meter connection disconnected	b. Connect meter to PC board
	c. Restricted/stalled meter turbine	c. Remove meter and check for rotation or foreign material
	d. Defective meter	d. Replace meter
	e. Defective PC board	e. Replace PC board
	f. Set-up error	f. Check control valve set-up procedure
9 Time of day flashes on and off	a. Power has been out more than two hours, the transformer was unplugged and then plugged back into the wall outlet, the transformer plug was unplugged and then plugged back into the board or the NEXT and REGEN buttons were pressed to reset the valve.	a.. Reset the time of day

NOTES

