



PARTS & SERVICE DEPARTMENT
Lebanon, Tennessee
615-889-8900 • Fax: 615-547-1000
www.Lochinvar.com

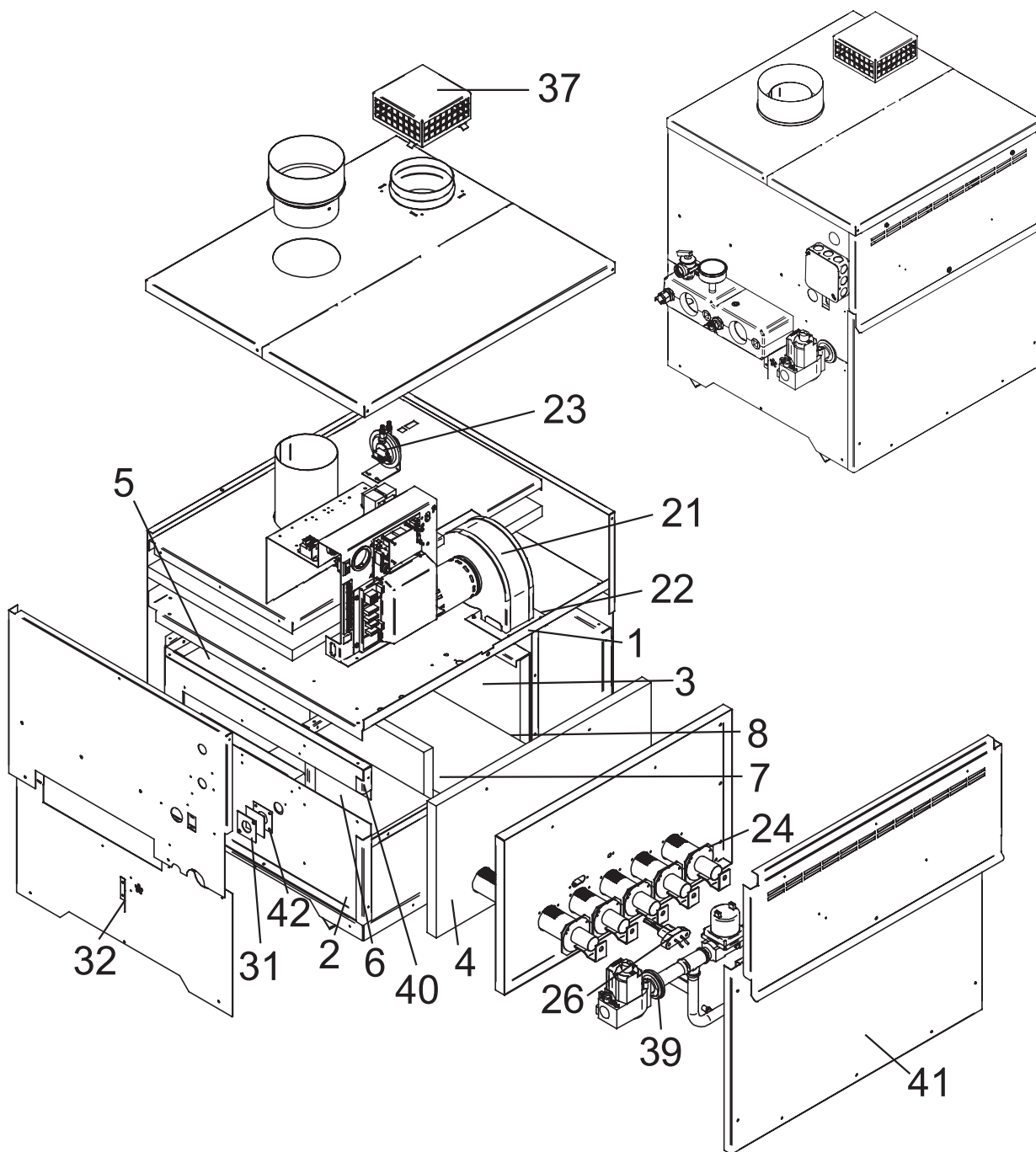
Replacement Parts List

EB 150 — 300

EW 150 — 300

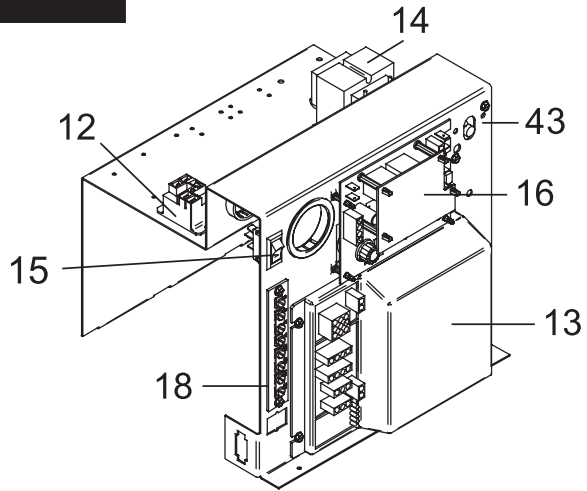
Water Heaters & Boilers

Starting Serial Number A05H00172365

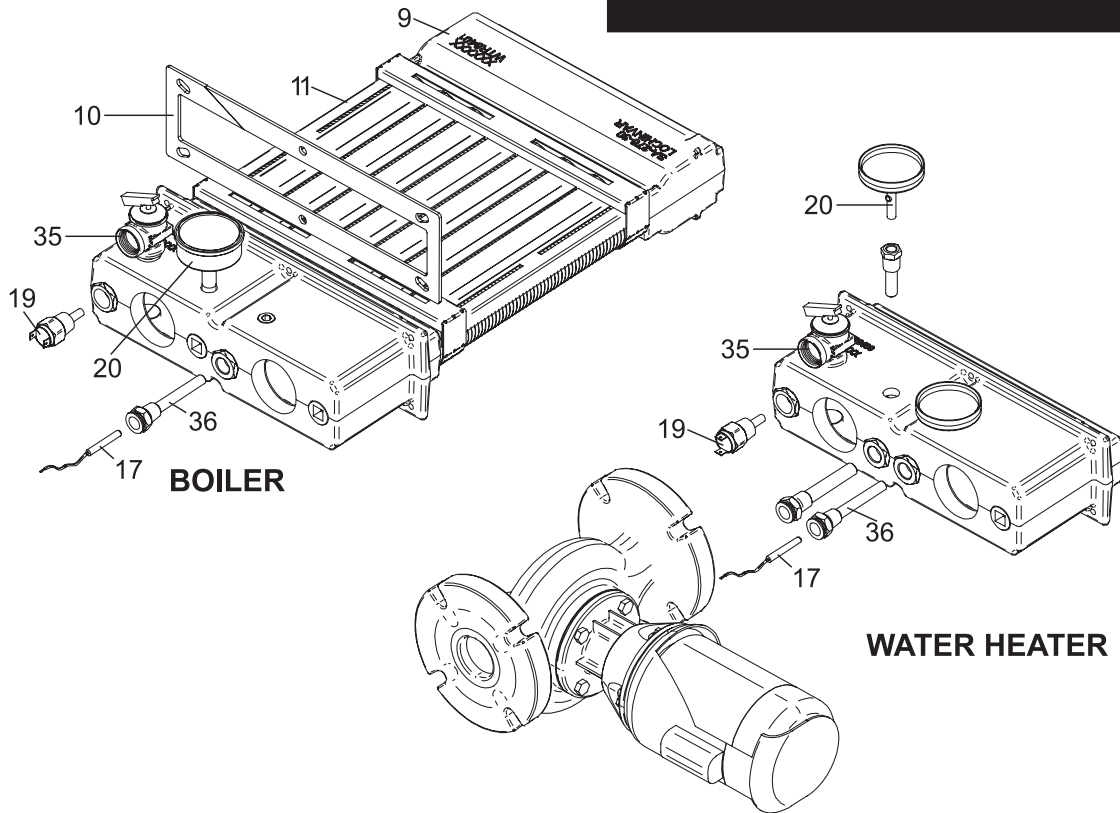


RPL7030

CONTROL PANEL ASSEMBLY



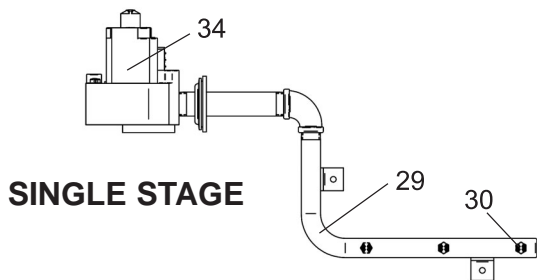
HEAT EXCHANGER ASSEMBLY



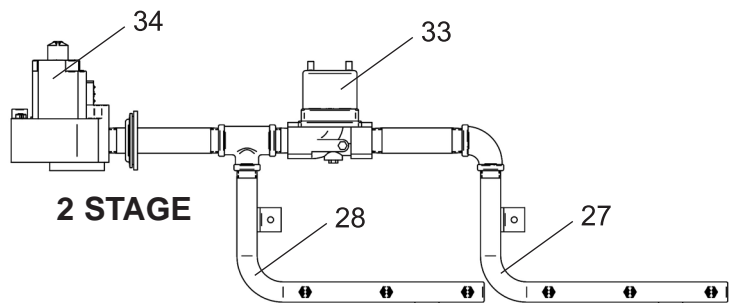
BOILER

WATER HEATER

GAS TRAIN ASSEMBLIES



SINGLE STAGE



2 STAGE

ITEM NO.	PART NO.	DESCRIPTION	MODEL NUMBER
LOCH-HEAT® TILE			
1	FIB2800	LOCH-HEAT TILE, TOP	EB/EW 150
1	FIB2801	LOCH-HEAT TILE, TOP	EB/EW 200
1	FIB2802	LOCH-HEAT TILE, TOP	EB/EW 250
1	FIB2803	LOCH-HEAT TILE, TOP	EB/EW 300
2	FIB2420	LOCH-HEAT TILE, FRONT HEAD SIDE	EB/EW 150-300
3	FIB2421	LOCH-HEAT TILE, REAR HEAD SIDE	ALL
4	FIB2264	LOCH-HEAT TILE, FRONT	EB/EW 150
4	FIB2265	LOCH-HEAT TILE, FRONT	EB/EW 200
4	FIB2266	LOCH-HEAT TILE, FRONT	EB/EW 250
4	FIB2267	LOCH-HEAT TILE, FRONT	EB/EW 300
5	FIB2484	LOCH-HEAT TILE, BACK	EB/EW 150
5	FIB2485	LOCH-HEAT TILE, BACK	EB/EW 200
5	FIB2486	LOCH-HEAT TILE, BACK	EB/EW 250
5	FIB2487	LOCH-HEAT TILE, BACK	EB/EW 300
6	FIB2488	LOCH-HEAT TILE, BOTTOM LEFT	EB/EW 150
6	FIB2489	LOCH-HEAT TILE, BOTTOM LEFT	EB/EW 200
6	FIB2490	LOCH-HEAT TILE, BOTTOM LEFT	EB/EW 250
6	FIB2491	LOCH-HEAT TILE, BOTTOM LEFT	EB/EW 300
7	FIB2806	LOCH-HEAT TILE DIVIDER	ALL
8	FIB2804	LOCH-HEAT TILE, BOTTOM RIGHT	EB/EW 150
8	FIB2489	LOCH-HEAT TILE, BOTTOM RIGHT	EB/EW 200
8	FIB2805	LOCH-HEAT TILE, BOTTOM RIGHT	EB/EW 250
8	FIB2491	LOCH-HEAT TILE, BOTTOM RIGHT	EB/EW 300
HEAT EXCHANGER			
9	HEX3445	HEAT EXCHANGER	EB 150
9	HEX3028	HEAT EXCHANGER	EW150
9	HEX3446	HEAT EXCHANGER	EB200
9	HEX3029	HEAT EXCHANGER	EW200
9	HEX3447	HEAT EXCHANGER	EB 250
9	HEX3030	HEAT EXCHANGER	EW250
9	HEX3448	HEAT EXCHANGER	EB300
9	HEX3031	HEAT EXCHANGER	EW300
10	GKT2400	GASKET, FRONT HEADER	EB/EW 150-300
11	JKA2000	V-BAFFLE	EB/EW 150
11	JKA2001	V-BAFFLE	EB/EW 200
11	JKA2002	V-BAFFLE	EB/EW 250
11	JKA2003	V-BAFFLE	EB/EW 300
PUMPS			
	ARM3044PAB	PUMP WATER HEATER	EW 150-300
CONTROLS			
12	RLY2105	RELAY,PANEL MOUNT,24VAC,COIL	EB
12	RLY2052	RELAY,PANEL MOUNT,24VAC,COIL	EW
13	RLY2400	IGNITION MODULE	ALL
14	TRF2004	TRANSFORMER 50V.A.	ALL
15	MSC2426	SWITCH, ROCKER ON-OFF	ALL
16	TST2314	THERMOSTAT	EB
16	TST5314	THERMOSTAT	EW
17	TST2032	SENSOR	ALL
--	WTR2041	FLOW SWITCH	ALL
43	TST2026	MANUAL RESET HIGH LIMIT	EW

ITEM NO.	PART NO.	DESCRIPTION	MODEL NUMBER
PILOT & BURNER ASSEMBLIES			
MODEL	BNR3417	BNR3415	BNR3417 is Main Burner BNR3415 is Main Burner with Pressure Tap (Burners include burner gasket.)
150	2	1	
200	3	1	
250	4	1	
300	5	1	
24	GKT2429	GASKET, BURNER	ALL
26	PLT3400	HOT SURFACE IGNITOR	ALL
27	MAN2441	GAS MANIFOLD, RIGHT	EB 150
27	MAN2440	GAS MANIFOLD, RIGHT	EB 200-250
27	MAN2439	GAS MANIFOLD, RIGHT	EB 300
28	MAN2440	GAS MANIFOLD, LEFT	EB 150-200
28	MAN2439	GAS MANIFOLD, LEFT	EB 250-300
29	MAN2439	GAS MANIFOLD	EW 150
29	MAN2442	GAS MANIFOLD	EW 200
29	MAN2443	GAS MANIFOLD	EW 250
29	MAN2444	GAS MANIFOLD	EW300
30	ORF2406	ORIFICE, MAIN BNR. NAT.	ALL
30	ORF2407	ORIFICE, MAIN BNR. LPG.	ALL
31	MSC3415	KIT, SIGHT GLASS	ALL
32	JKA6506	MIRROR, INSPECTION	ALL
GAS VALVES			
33	VAL2409	GAS VALVE, HIGH FIRE	EB 150-300
34	VAL2412	GAS VALVE, NAT. MAIN	EB/EW 150-300
34	VAL2411	GAS VALVE, LPG. MAIN	EB/EW 150-300
MISCELLANEOUS			
18	MSC2016	TERMINAL BOARD	ALL
19	HLC2500	HIGH LIMIT	EB 150-300
19	HLC2501	HIGH LIMIT	EW 150-300
20	GTP2900	GAUGE, T & P	EB
20	GTP2002	GAUGE, TEMPERATURE	EW
21	FAN2724	ASSEMBLY, FAN	EB/EW 150
21	FAN2410	ASSEMBLY, FAN	EB/EW 200-300
22	GKT2009	GASKET, FAN	EB/EW 150
22	GKT2416	GASKET, FAN	EB/EW 200-300
23	PRS2420	SWITCH, AIR PRESSURE	EB/EW 150-200
23	PRS2421	SWITCH, AIR PRESSURE	EB/EW 250-300
35	RLV2005	RELIEF VALVE, PRESSURE ONLY	EB
35	RLV2006	RELIEF VALVE, T & P	EW
36	TST2301	BULB WELL	ALL
37	JKA6510	COVER, DUST AIR INTAKE	ALL
--	DRH2722	BELL INCREASER (NOT PICTURED)	EB/EW 150 & 200
--	DRH2729	BELL INCREASER (NOT PICTURED)	EB/EW 250 & 300
--	MSC3001	KIT, TUBING EPDM	EB/EW 150 - 200
--	MSC3002	KIT, TUBING EPDM	EB/EW 250 - 300
--	MSC2075	TUBE, INLET AIR	EB/EW 150-200
--	MSC2076	TUBE, INLET AIR	EB/EW 250-300
--	MSC2077	CLAMP, INLET AIR	EB/EW 150-300
39	GKT2417	GASKET, ESCUTCHEON PLUG	ALL
40	GKT2408	GASKET, MANNING GLASS (inner combustion chamber wall)	ALL
41	GKT2715	GASKET, SILICONE (inside outer jacket lower door)	ALL
42	GKT2401	GASKET, SIGHT GLASS	ALL

**NOTE: EB = BOILER / EW = WATER HEATER
PLEASE HAVE MODEL NUMBER AND SERIAL NUMBER WHEN ORDERING PARTS.**