

KOHLER®

INSTALLATION INSTRUCTIONS

ODEON IN-WALL TANK

K-6283K/K-6284K/K-6286K/K-6286R

BEFORE YOU BEGIN

- Read installation guide in illustration and word file carefully, and install the tank according to instructions in the guide to avoid product damage and installation inconvenience caused by inappropriate operation.
- All data contained is based upon the last product information available at the time of publication. Kohler Co. Reserves the right to implement changes of product characteristics, packaging and availability at any time without further notice.
- Do not apply erosive cleanser and solvent in the tank, which will damage tank spares and result in leakage in the tank. Kohler will not be responsible for any damage related to above mentioned cleanser or solvent.
- Do not apply spares that are not provided by Kohler, and please note that glass adhesive tape shall not be applied to the installation of Kohler spares. Kohler will not be responsible for any damage related to installation with spares not provided by Kohler.

Ordering Information

ODEON Tank Cover.....K-6283K-**
 ODEON In-Wall Tank(With Iron Rack For Wall-Hung Toilet)K-6284k-NA

ODEON In-Wall Tank (Without Iron Rack For Wall-Hung Toilet).....K-6286K-NA/K-6286R-NA

Function Explanation

- Anti flow-backwards
- Adjustment of inlet water level
- Adjustment of flushing volume
- Single/double gear flushing
- Adjustable toilet height

Design And Installation Concept Of In-wall Tank

- Installation of in-wall tank is much easier and nice-looking comparative to that of traditional tank. Meanwhile, the space layout will be more reasonable due to the application of in-wall tank pipes and connectors.
- The most remarkable advantage of in-wall tank is that the installation will never be limited to certain area, and can be installed wherever as you wish, which will make the bathroom layout more reasonable and nice-looking, and make good use of every inch of the bathroom space.

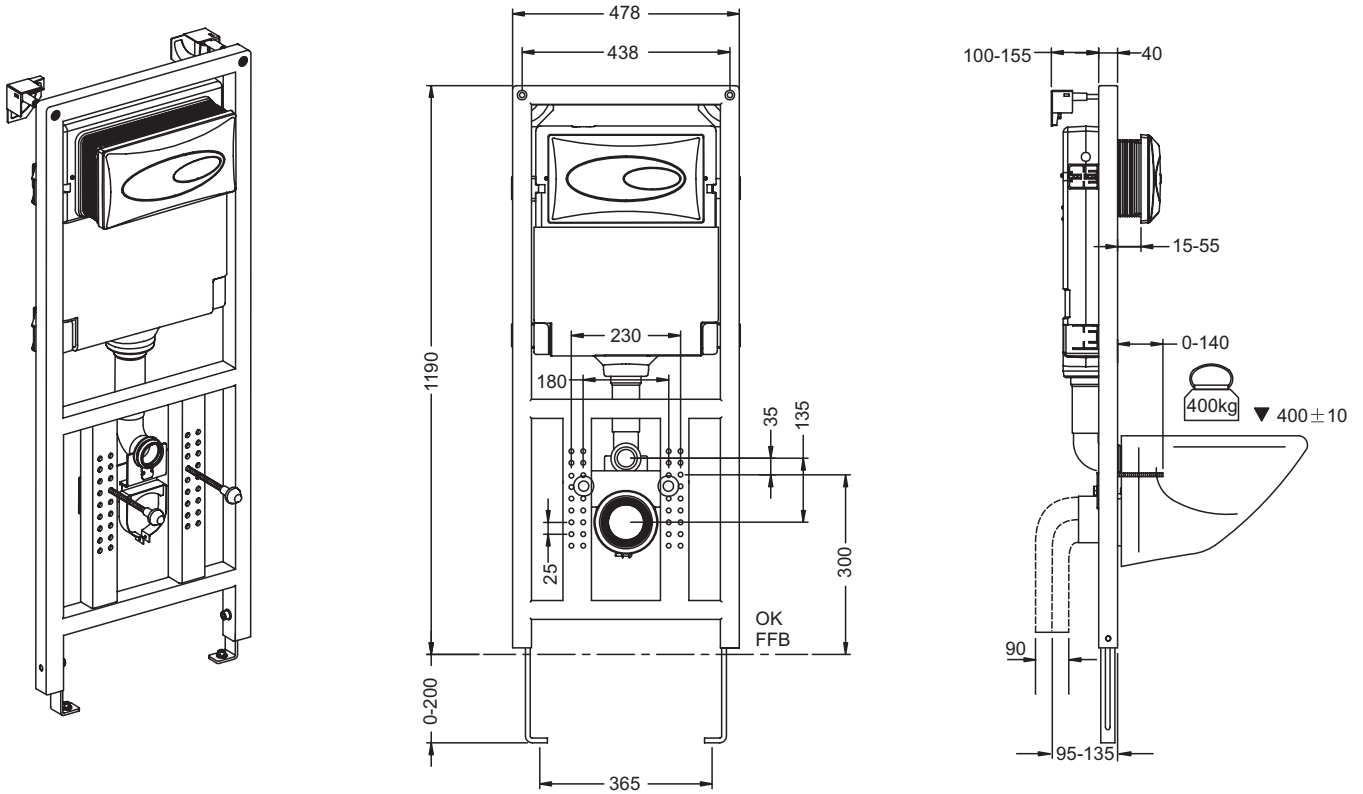
Advantages Of In-wall Tank

- Anti-strike and erosion proof tank of macromolecule materials, and leak proof.
- Advanced tank spares, adjustable to flushing of 3/6 liters, with single/double gear technology.
- Sustainable to pressure of 400 kgs.
- Impact free to wall structures, and excellent sound insulation effect.
- Easy installation and time efficient.
- No requirements of other installation spares.
- Easy maintenance and no necessity of removing the wall in the process of maintenance.
- Clean, garbage free, and space-saving efficient.

ROUGHING-IN

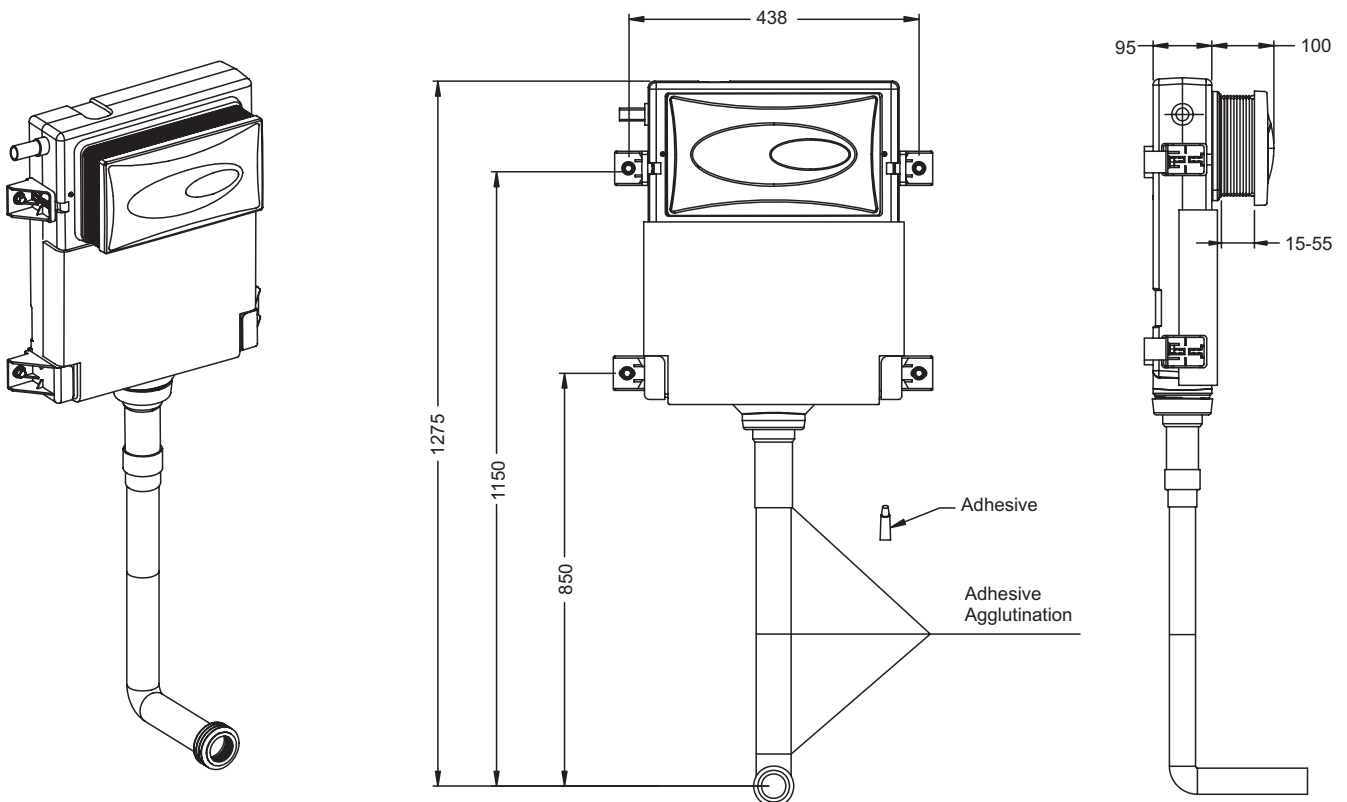
Installation dimensions with iron rack K-6284K

UNIT: mm



Installation dimensions without iron rack for wall hung K-6286K/K-6286R

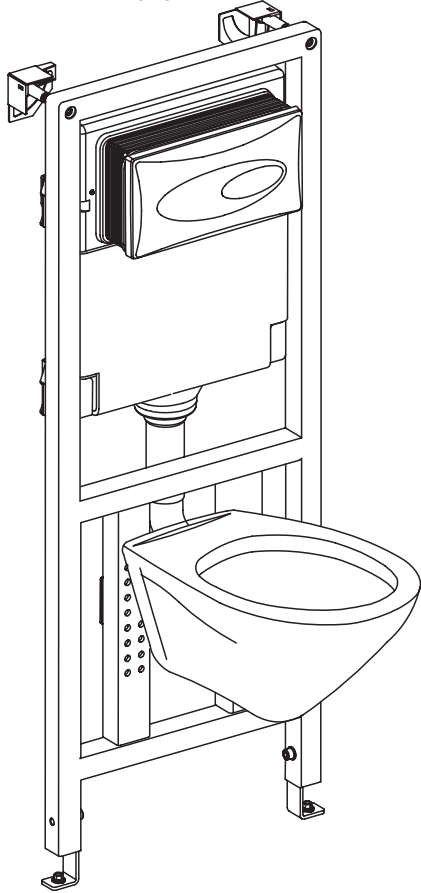
UNIT: mm



INSTALLATION

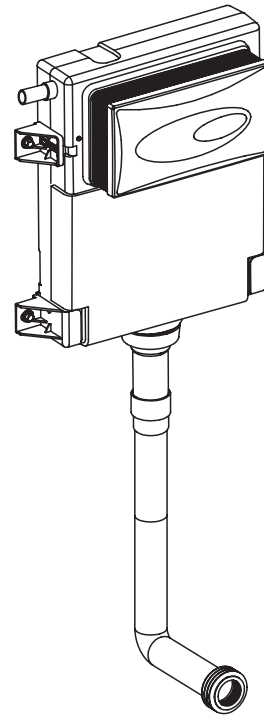
Ways of Installation

K-6284K-NA



① In-wall Tank With Iron Rack For Wall-Hung Toilet

K-6286K-NA/K-6286R-NA



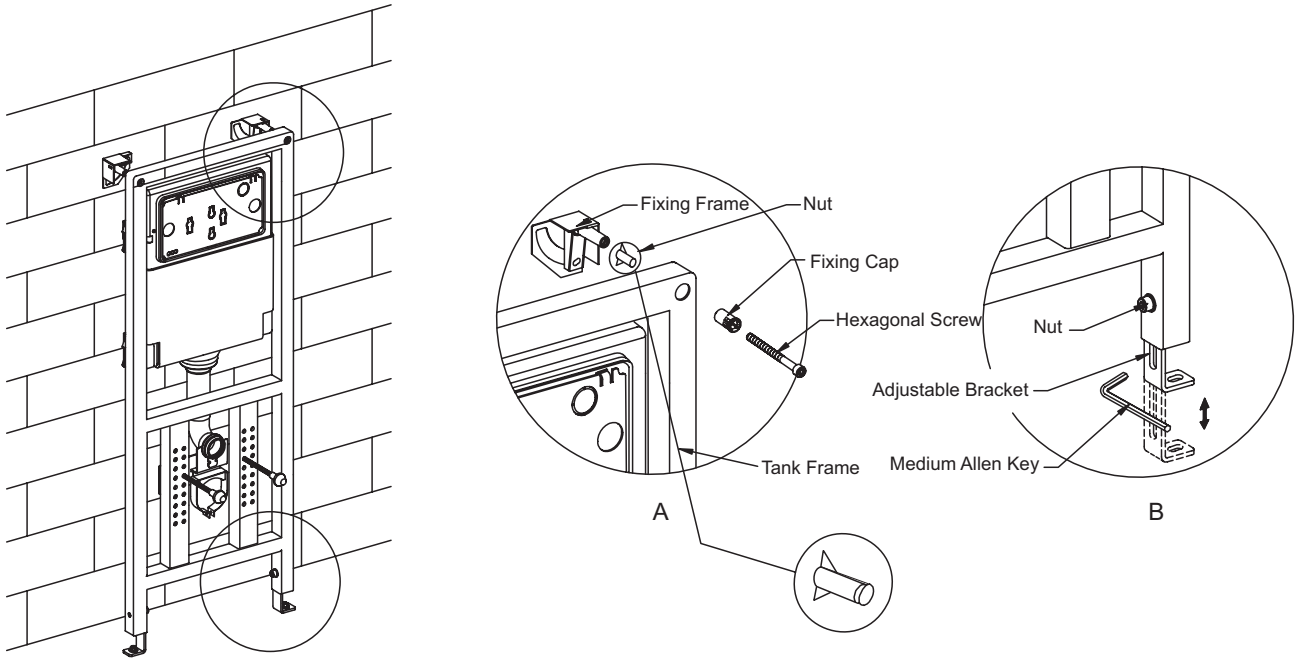
② In-wall Tank Without Iron Rack For Wall-Hung Toilet

Installation

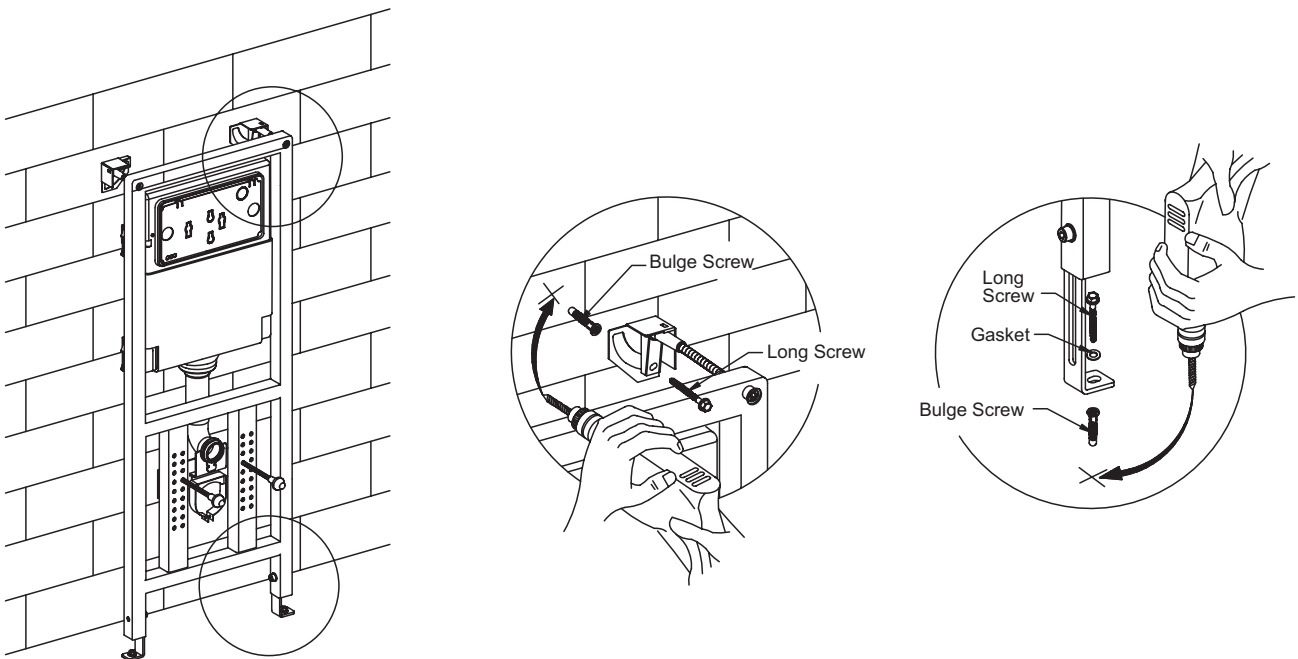
A. Installation Procedures For In-wall Tank With Iron Rack

1. Install the fixing cap in the holes of fixing frame, then tighten the hexagonal screws on the fixing frame with medium allen key as shown in illustration A.

Tighten the bolts with medium allen key as shown in illustration B, and adjust the height of the adjustable bracket according to customer's requirements.

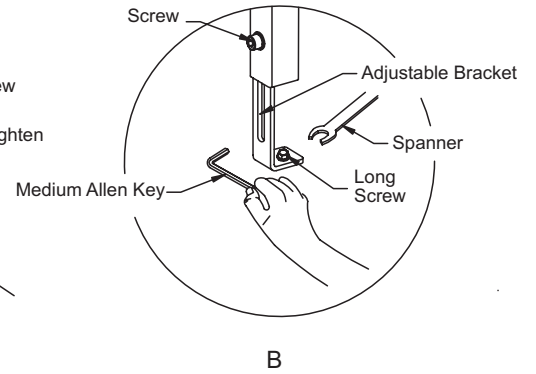
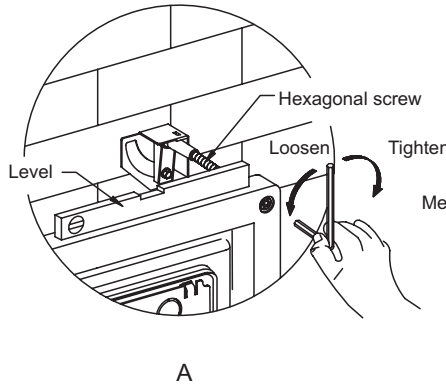
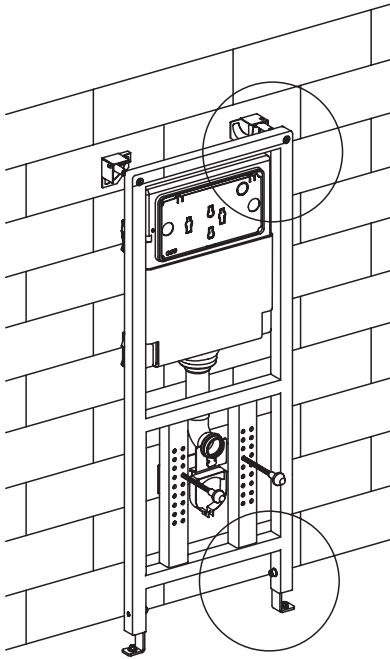


2. Drill four holes with diameter of 12mm and depth of 60mm with churn drilling as shown, and fill in the holes with bulge screw and tighten the long screw.

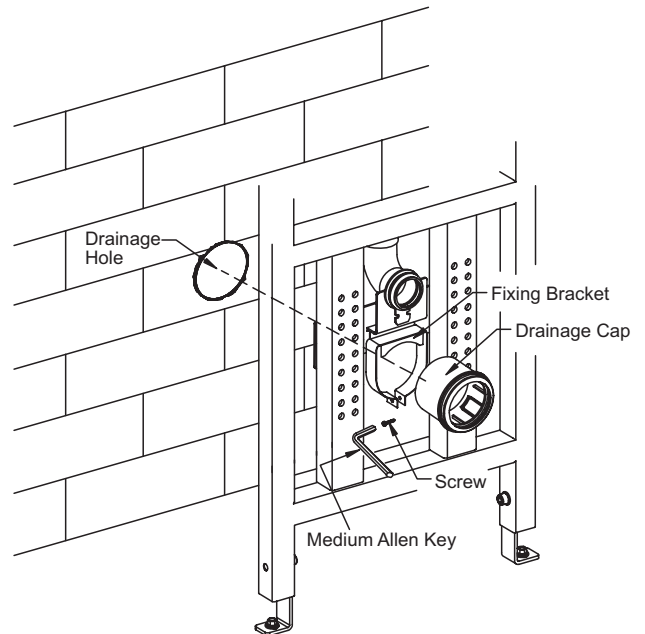


3. Tighten the hexagonal long screw with medium allen key as shown in illustration A.
Tighten the screw of adjustable brackets with

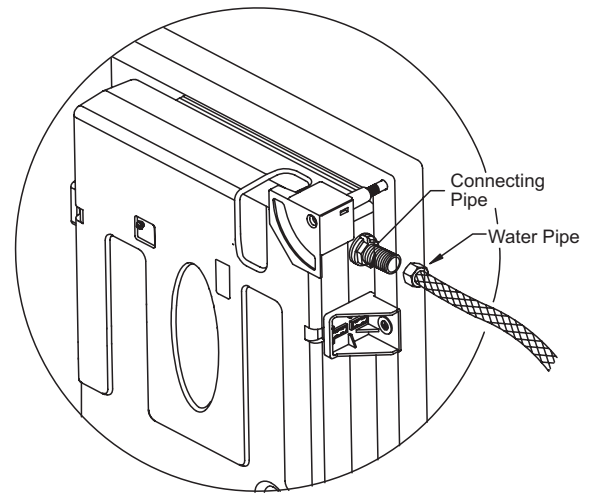
medium allen key as shown in illustration B, and tighten the long screw with spanner.
Ensure the tank to remain level.



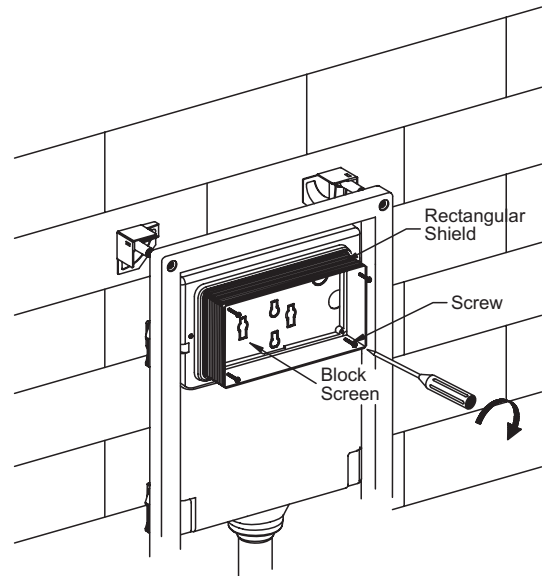
4. Fix the drainage cap on the fixing bracket as shown in the illustration. Tighten the screws with medium allen key and install the drainage cap on the drainage hole.



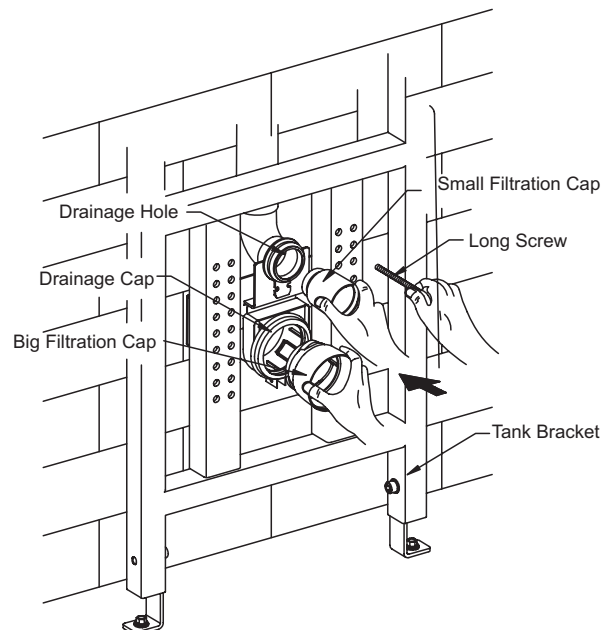
5. Install the water pipe to the connecting pipe at the side of the tank for water supply. (**Inlet valves should be shut down**)



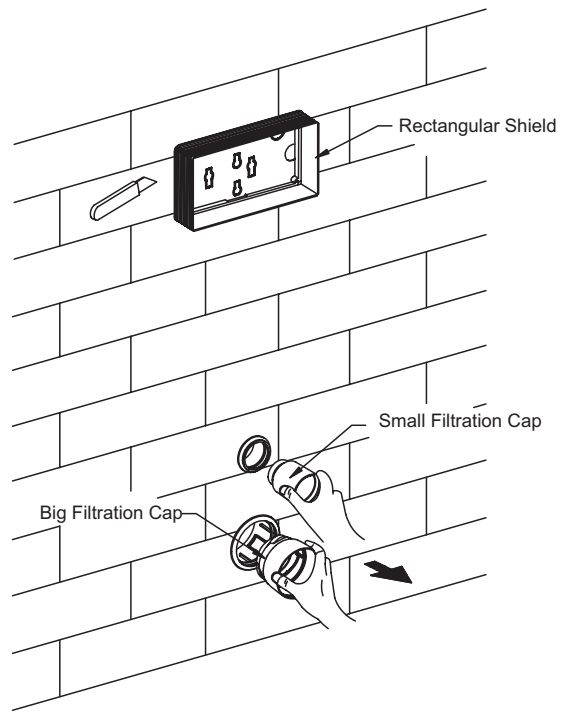
6. Install the rectangular shield in the block screen of the tank, and tighten the screw to fix the rectangular shield to the tank.



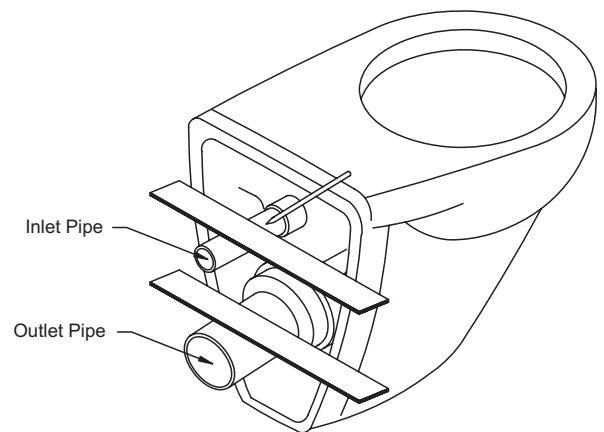
7. Tighten the long screw into the holes of tank bracket, and cover the drainage cap with big filtration cap, and the drainage hole with small filtration cap.



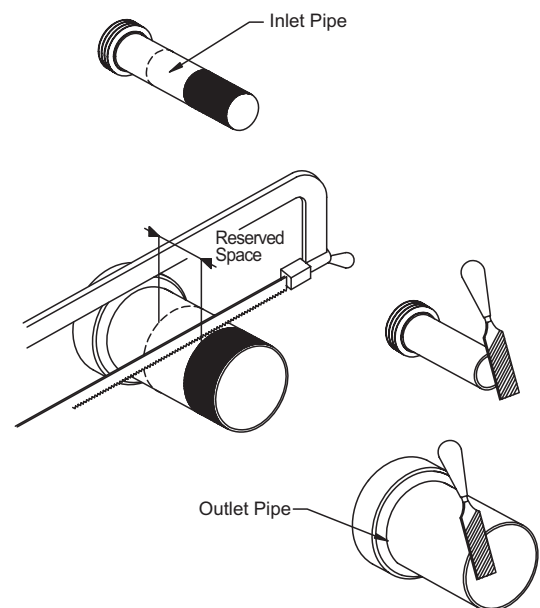
8. When finishing the brickwork of the wall, take out the big and small filtration caps, and eliminate unwanted rectangular shield with a sharp knife.



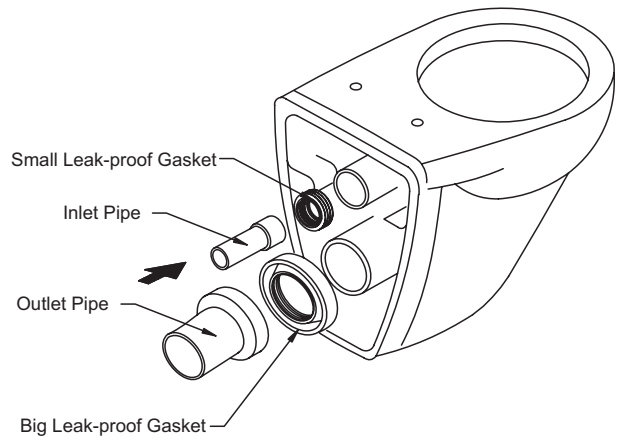
9. Install the inlet pipe and outlet pipe to the toilet as shown, and mark on the pipes at the back side of the tank with a ruler and a pencil, and reserve appropriate space according to the distance from the back of the tank to the outlet hole on the wall.



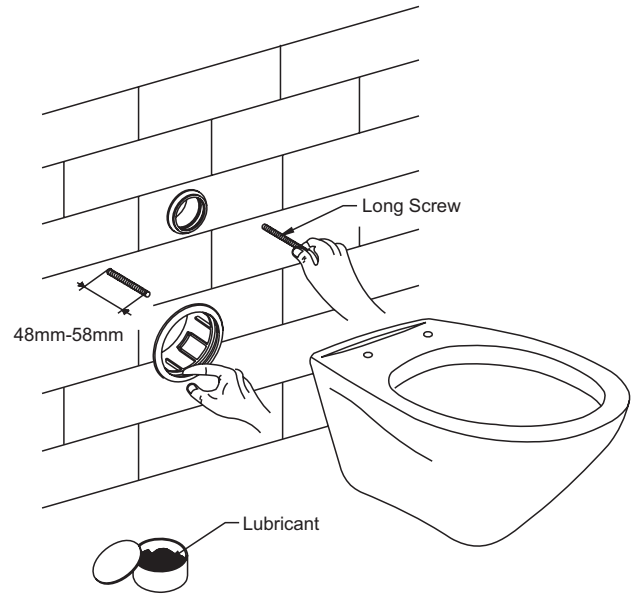
10. Eliminate unwanted part of the inlet pipe and outlet pipe according to the marks of reserved space, and rasp a smooth surface with files.



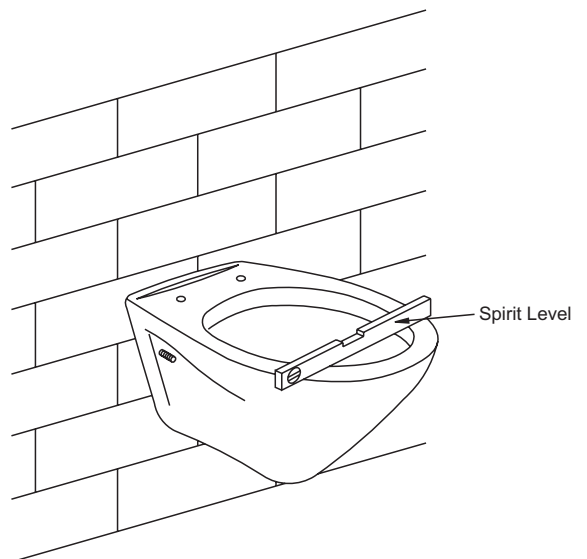
11. Install the big and small leak-proof gaskets on inlet pipe and outlet pipe, then install it to corresponding pipes on the toilet tank.



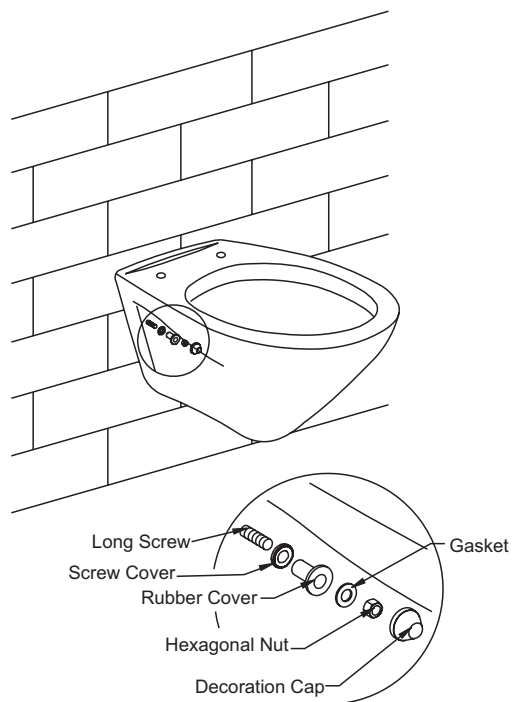
12. 48mm-58mm of the long screw shall be reserved outside the wall as shown in the illustration. If the long screw outside the wall is not long enough or much longer than that needed, it should be adjusted with screwdriver or by hand. Then apply lubricant to drainage pipe and limber pipe to ensure a smooth installation.



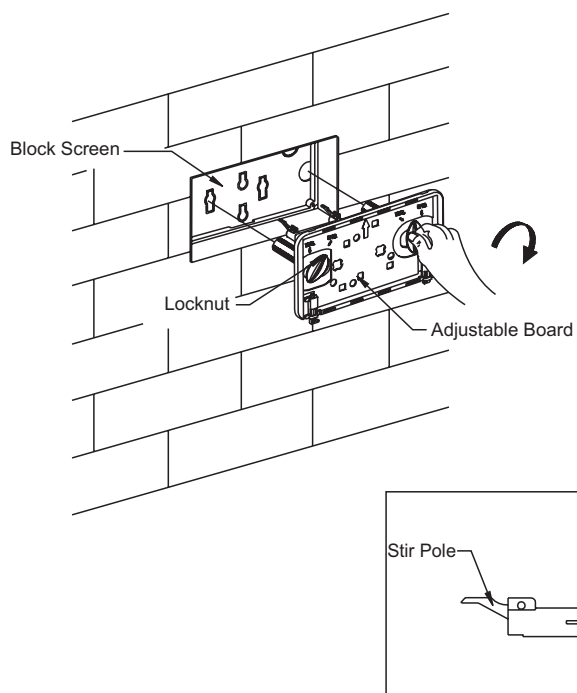
13. Install the toilet as shown in the illustration, and use a spirit level to ensure the toilet to remain level.



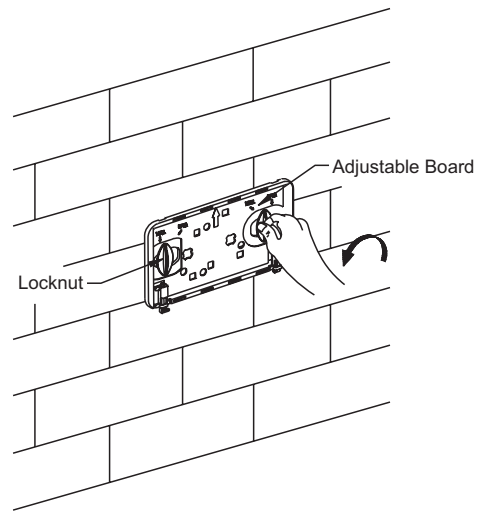
14. Install the rubber cover gasket, hexagonal nut and decoration cap onto long screw according to the order shown in the illustration.



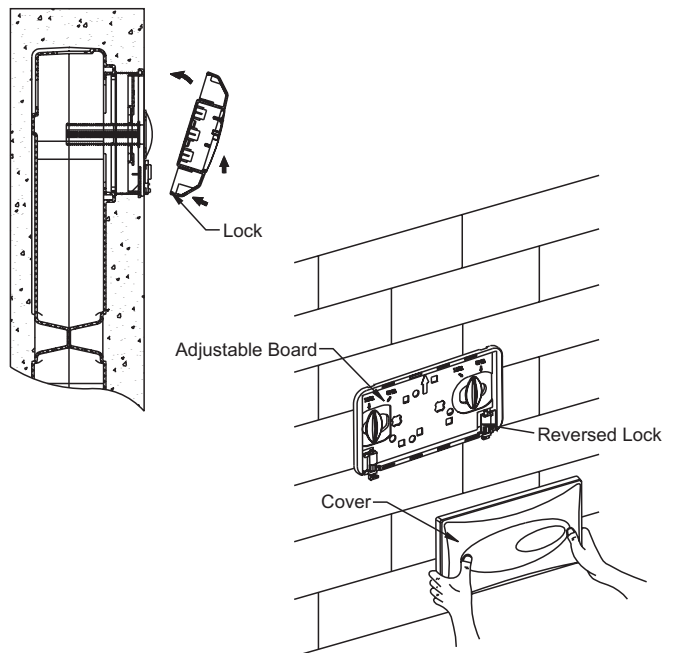
15. When fixing the adjustable board to block screen, the locknut should be put directly on positioning of the sign of " OPEN " . Remark: Stir pole shall remain level.



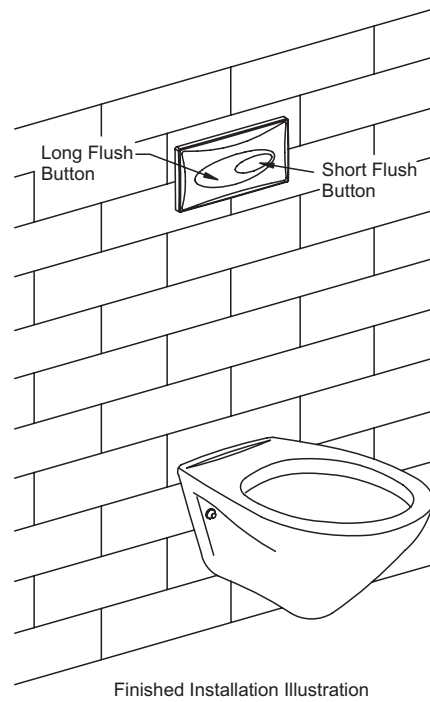
16. Fix the adjustable board on the wall by tightening the locknut as shown in the illustration. And the locknut should be directly put on the position of the sign of " LOCK " . (Indications are marked on the adjustable board, please refer to indications in installation)



17. Install the cover as shown in the illustration. Put the lock on the cover directly on the reversed lock on adjustable board, then push the cover and lock it. The installation shall begin from bottom to top.



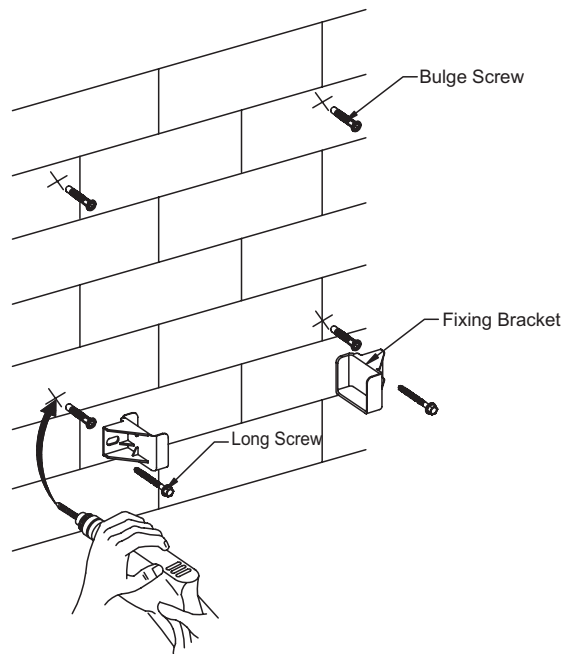
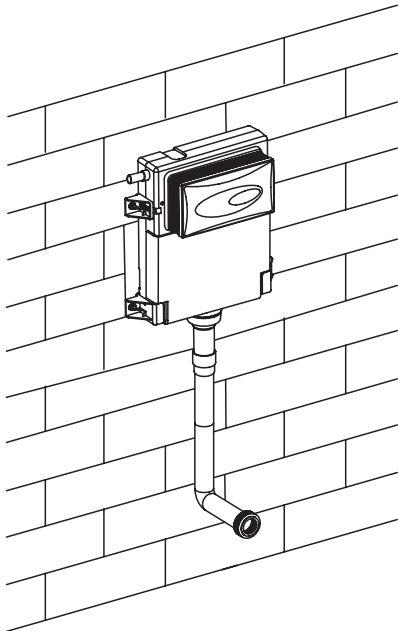
18. In-wall tank toilet is ready to be put into use.



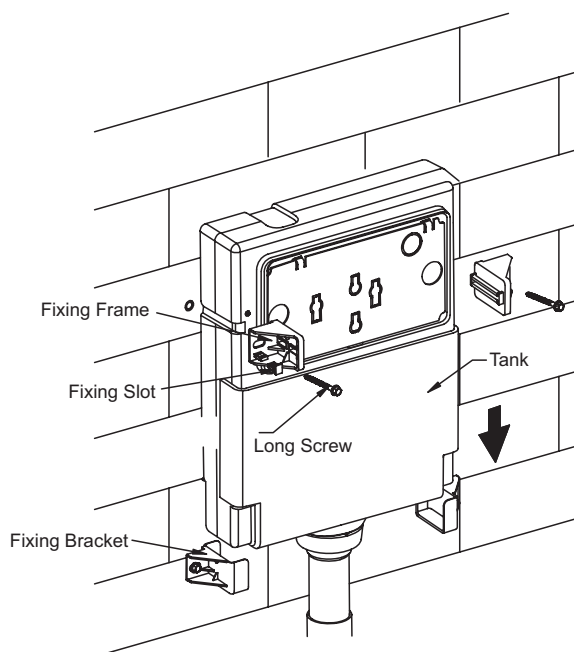
B. Installation Procedures For In-wall Tank Without Iron Rack For Wall-Hung Toilet

1. Mark on the wall for appropriate position for fixing bracket, and drill four holes with diameter of 12mm and depth of 60mm with churn drilling as shown in

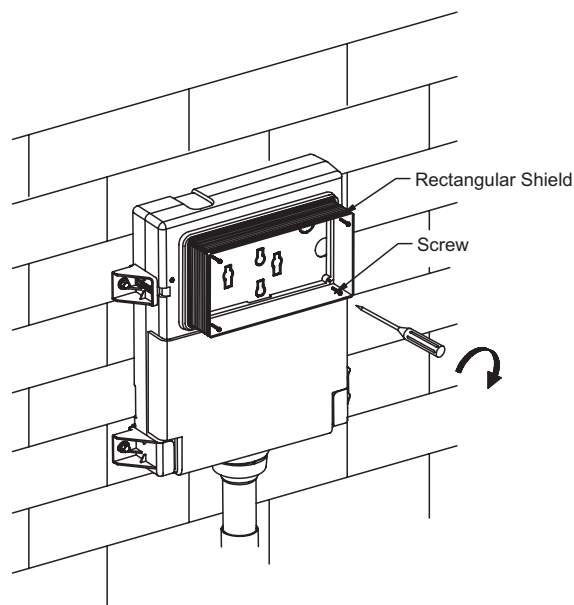
illustration, and fill in the holes with bulge screw and tighten the long screw to set the fixing bracket.
Note: Ensure the fixing bracket to remain level.



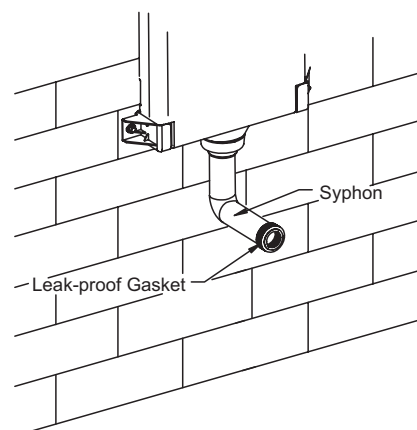
2. Install the fixing bracket first, then put the tank on the fixing bracket, and fix the fixing frame in the slot of the tank, and tighten the screws. Lock the fixing slot to corresponding position on fixing frame.



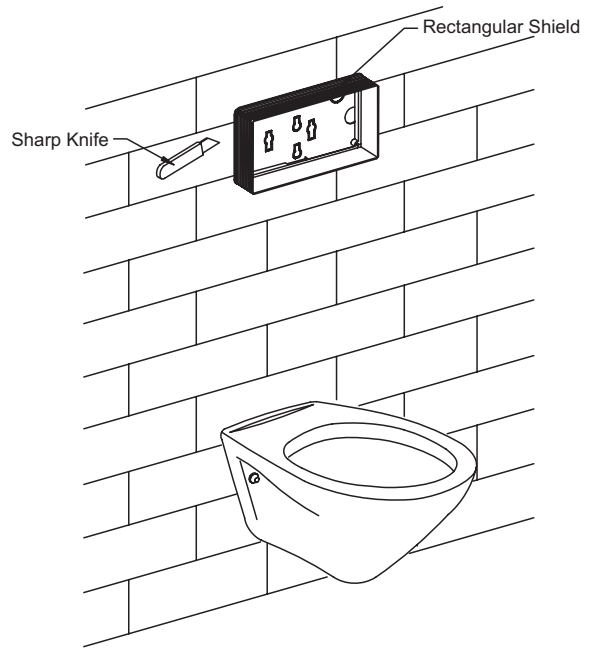
3. Install the rectangular shield in the block screen of the tank, and tighten the screw to fix the rectangular shield to the tank.



4. Fix the leak-proof gasket to syphon as shown in illustration, and adjust the syphon to appropriate position to be fixed to the wall-hung toilet.

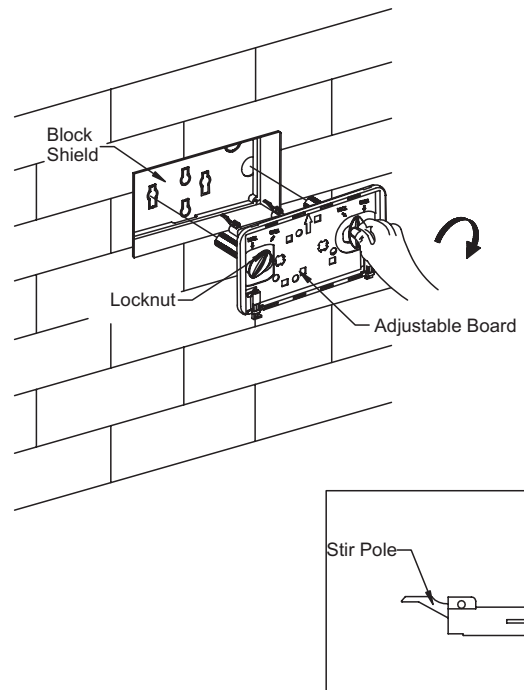


5. When finishing the brickwork, eliminate unwanted part of the rectangular shield.

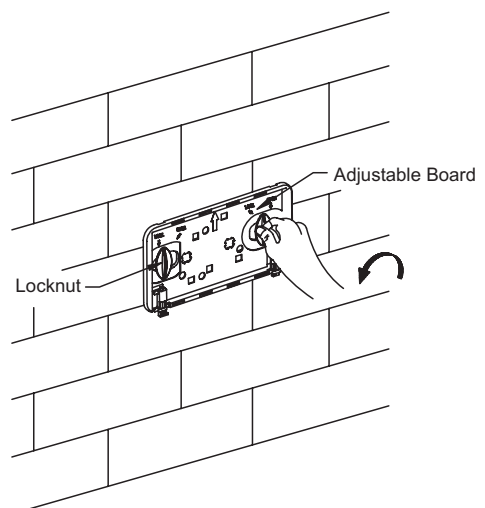


6. When fixing the adjustable board to block shield, the locknut should be put directly on positong of the sign of " OPEN " .

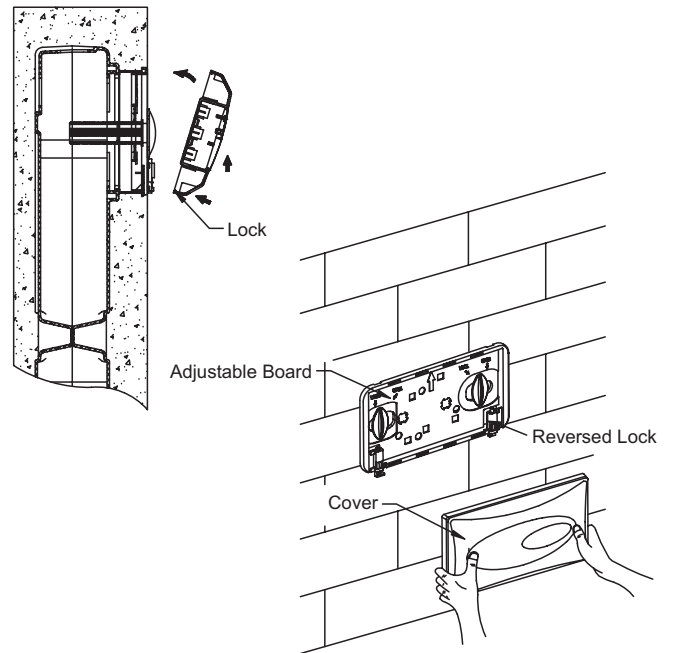
Remark: Stir pole shall remain level.



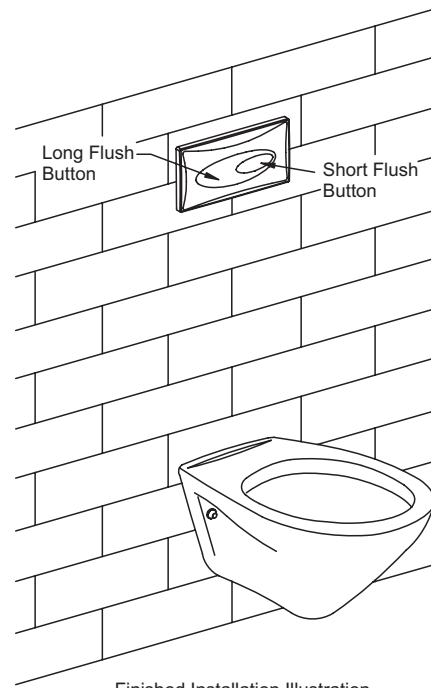
7. Fix the adjustable board on the wall by tightening the locknut as shown in the illustration. And the locknut should be directly put on the position of the sign of " LOCK " . (Signs are marked on the adjustable board, please refer to the indications in installation)



8. Install the cover as shown in the illustration. Put the lock on the cover directly on the reversed lock on adjustable board, then push the cover and lock it. The installation shall begin from bottom to top.

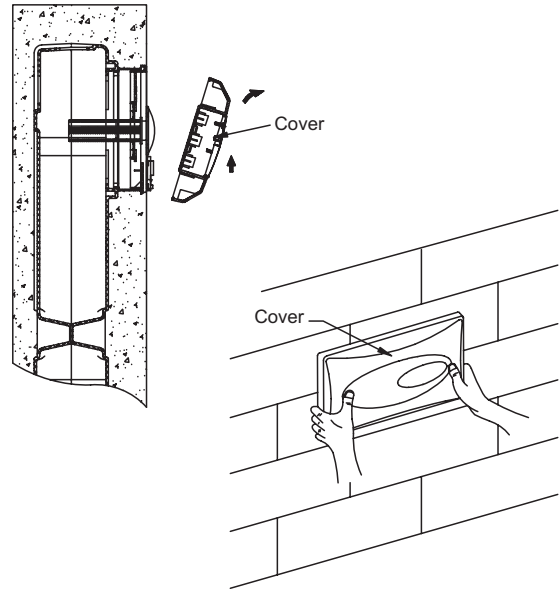


9. In-wall tank toilet is ready to be put into use.

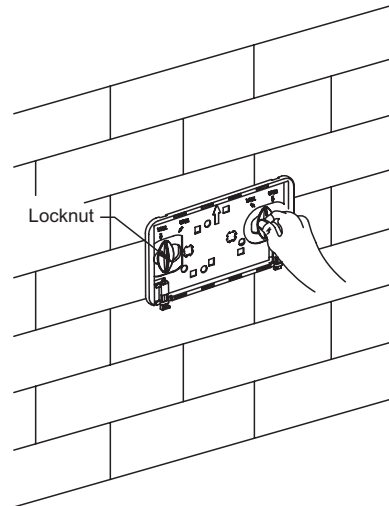


MAINTENANCE AND CONTROL PROCEDURES

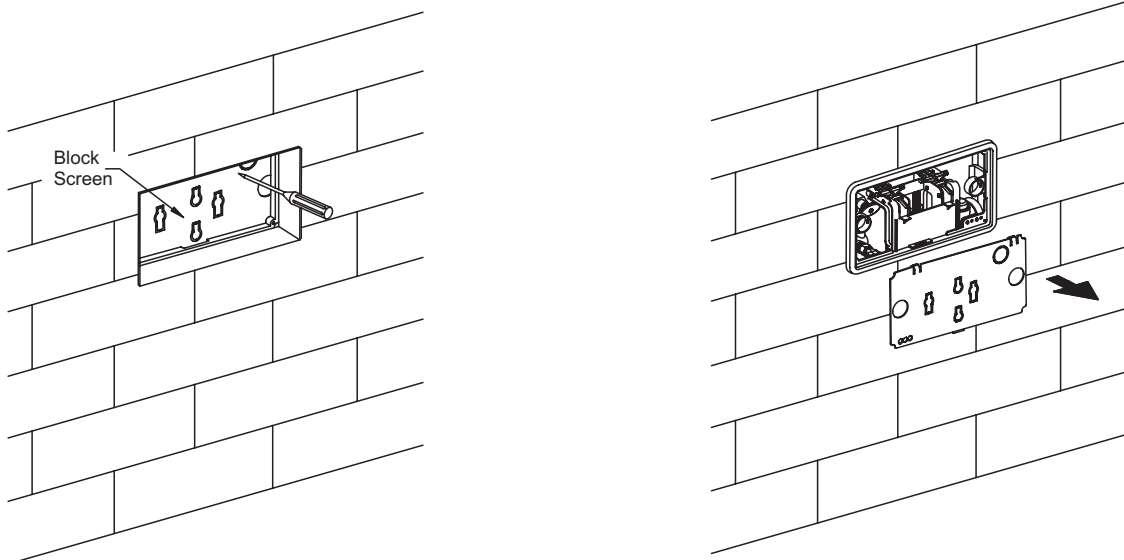
- A.** Hold the cover with both hands and push upward to take down the cover.



- B.** Tighten the locknut to the marked position of " OPEN " to take out the adjustable board.



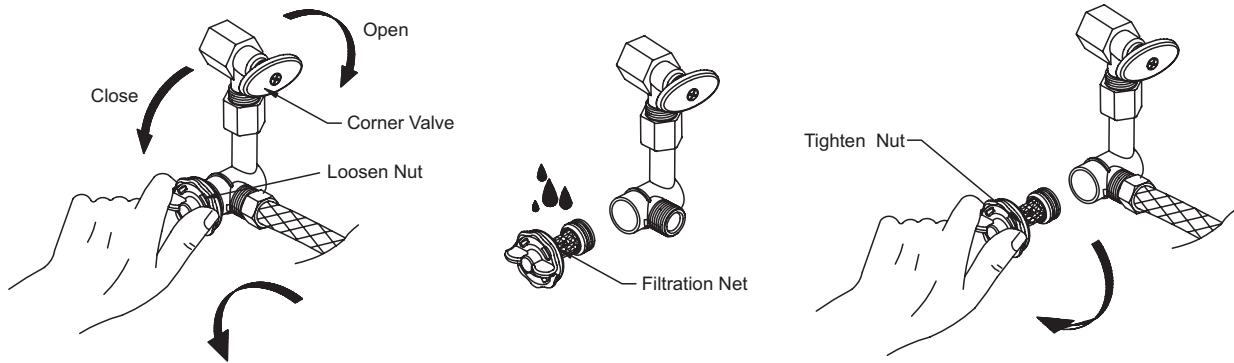
- C.** Pin the indentation on block screen with screwdriver to take out the block screen.



D. Wash Filtration Net

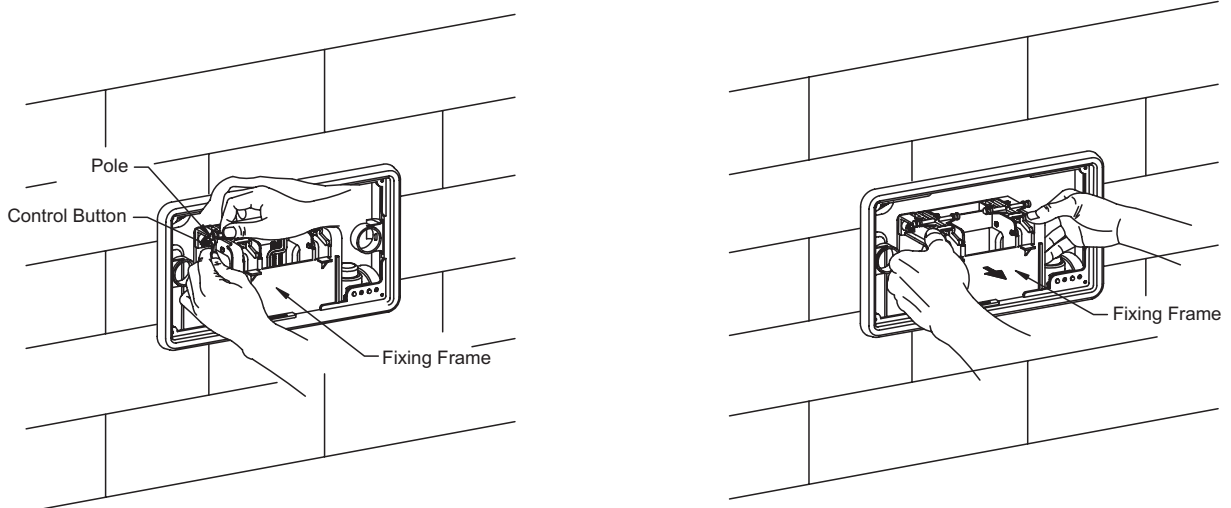
Close corner valve first, then loosen and take out the tighten nut, and wash the waste on filtration net with

clean water. Then reset the tighten nut to the original position.

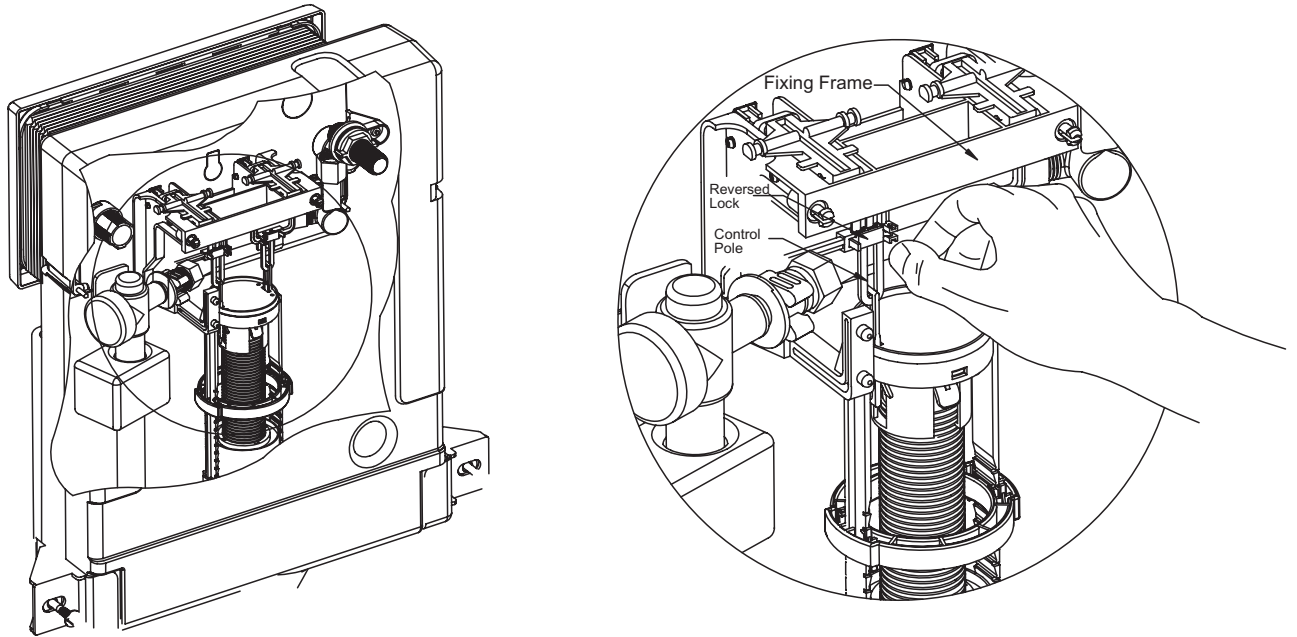


E. Adjust The Control Pole Of Drainage Valve

Pin the pole first to take out the control button as shown in the illustration. Then take out the fixing frame with both hands.

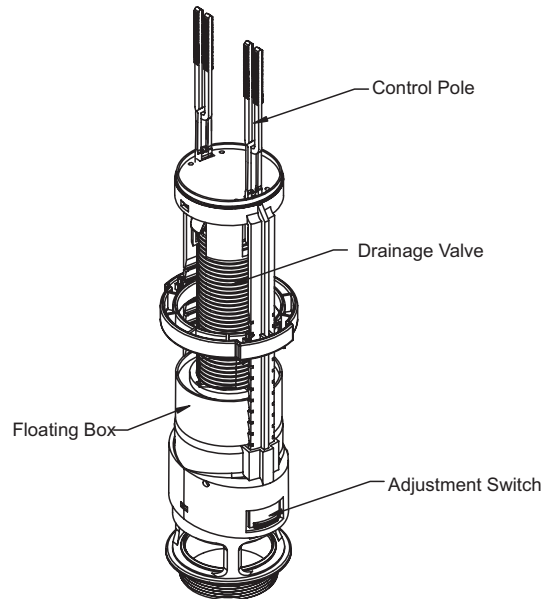


F. Pull out reversed lock on the fixing frame as shown in the illustration, and adjust the height of the control poles to ensure the leak-proof of drainage valve.



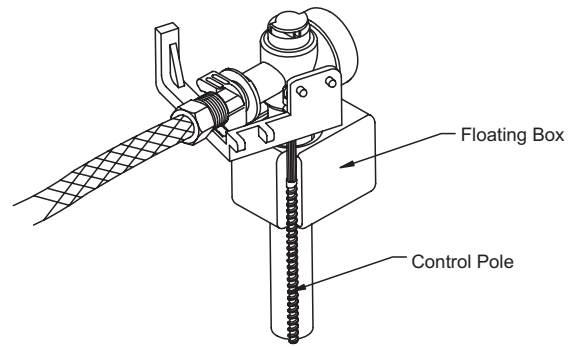
G. Adjust Drainage Valve

Drainage volume and overflow level of the tank can be adjusted by drainage valve: 1) Heavy drainage adjustment: Open adjustment switch to open the small hole. 2) Slight drainage adjustment: adjust the height of floating box and the water level of slight drainage will be at the bottom of the floating box.



H. Adjust Inlet Valve

Hoist and reduce the water level in the tank by adjusting the control pole. Turn the control pole counterclockwise to lower down the floating box and reduce the water level of the tank. Turn the control pole clockwise to hoist the floating box and increase the water level in the tank.



TROUBLE SHOOTING PROCEDURES

Symptoms	Probable Causes	Recommended Action
No water fills in via inlet valve	The inlet valve is closed	Open inlet valve (refer to page 15)
	Floating box of inlet valve is blocked by tank wall	Adjust floating box to appropriate position
	Floating box of inlet valve is block by waste	Wash the floating box with clean water
No drainage when pressing the heavy and slight drainage button	Wrong installation of adjustable board	Reset (refer to page 9)
	Control pole is too long	Adjust the control pole to appropriate position
Too high or too low water level	Water level of the inlet valve is not appropriate	Readjust water level (refer to page 16)
Leak of the toilet and squat	Control pole is too short	Adjust the control pole to appropriate position
	Inappropriate adjustment of the overflow pipe	Adjust the overflow pipe to appropriate position
Toilet swing	Hexagonal nut is loose	Tighten the hexagonal nut (refer to page 9)

LIMITED ONE-YEAR WARRANTY

Kohler plumbing fixtures and fittings are warranted to be free of manufacturing defects.

Kohler Co. will, at its election repair, replace, or make appropriate adjustment where Kohler Co. inspection discloses any such defects occurring in normal usage within one year after installation. **Kohler Co. is not responsible for installation costs.**

To obtain warranty service, contact Kohler Co. either through your Dealer or Plumbing Contractor or by writing Kohler Co., Attn: Consumer Affairs Department, Kohler, WI 53044 U.S.A.

Implied warranties, including that of merchantability and fitness for a particular purpose, are expressly limited in duration to the duration of

this warranty. To the extent permitted by law, Kohler Co. disclaims all implied warranties including merchantability and fitness for a particular purpose. Kohler Co. disclaims any liability for special, incidental, or consequential damages.

Some states do not allow limitations on how long an implied warranty lasts or the exclusion or limitation of incidental or consequential damages, so this limitation and exclusion may not apply to you. This warranty gives you specific legal rights. You may also have rights which vary from state to state.

This is our exclusive written warranty.

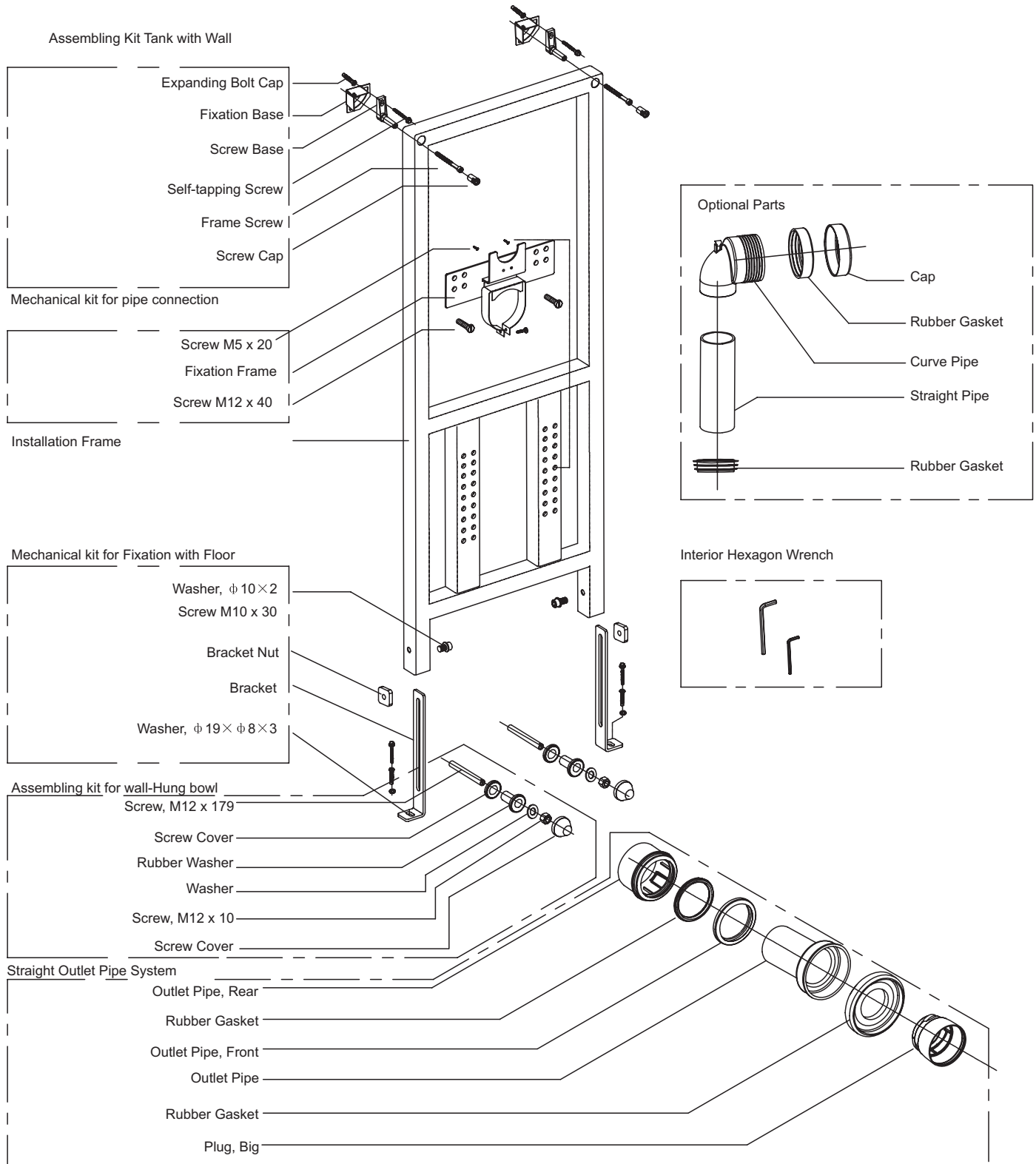
Kohler Co., Kohler, Wisconsin 53044

KOHLER®

INSTALLATION INSTRUCTIONS

ODEON IN-WALL TANK SERVICE PARTS PAGE

K-6283K/K-6284K

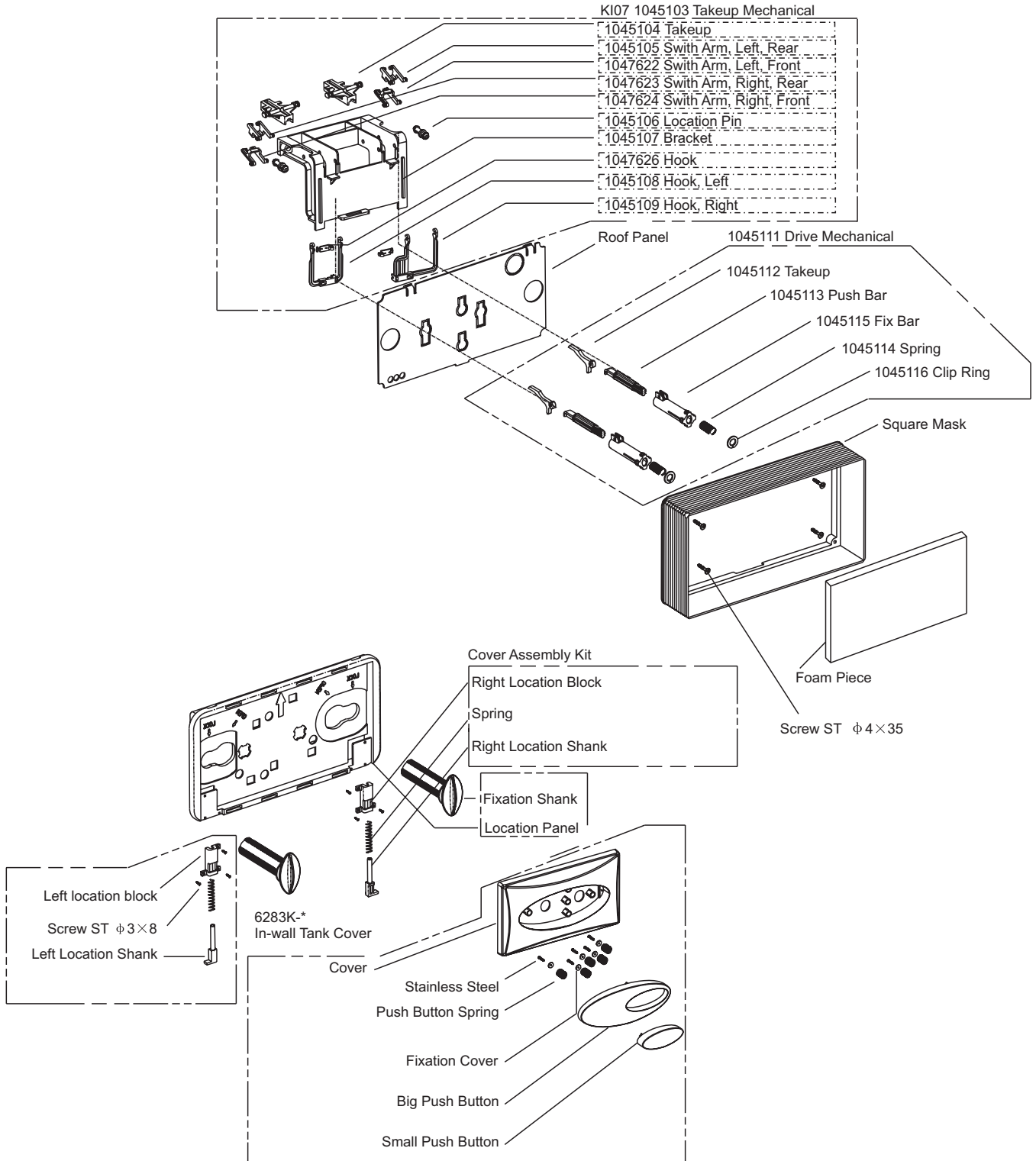


KOHLER®

INSTALLATION INSTRUCTIONS

ODEON IN-WALL TANK SERVICE PARTS PAGE

K-6283K/K-6284K

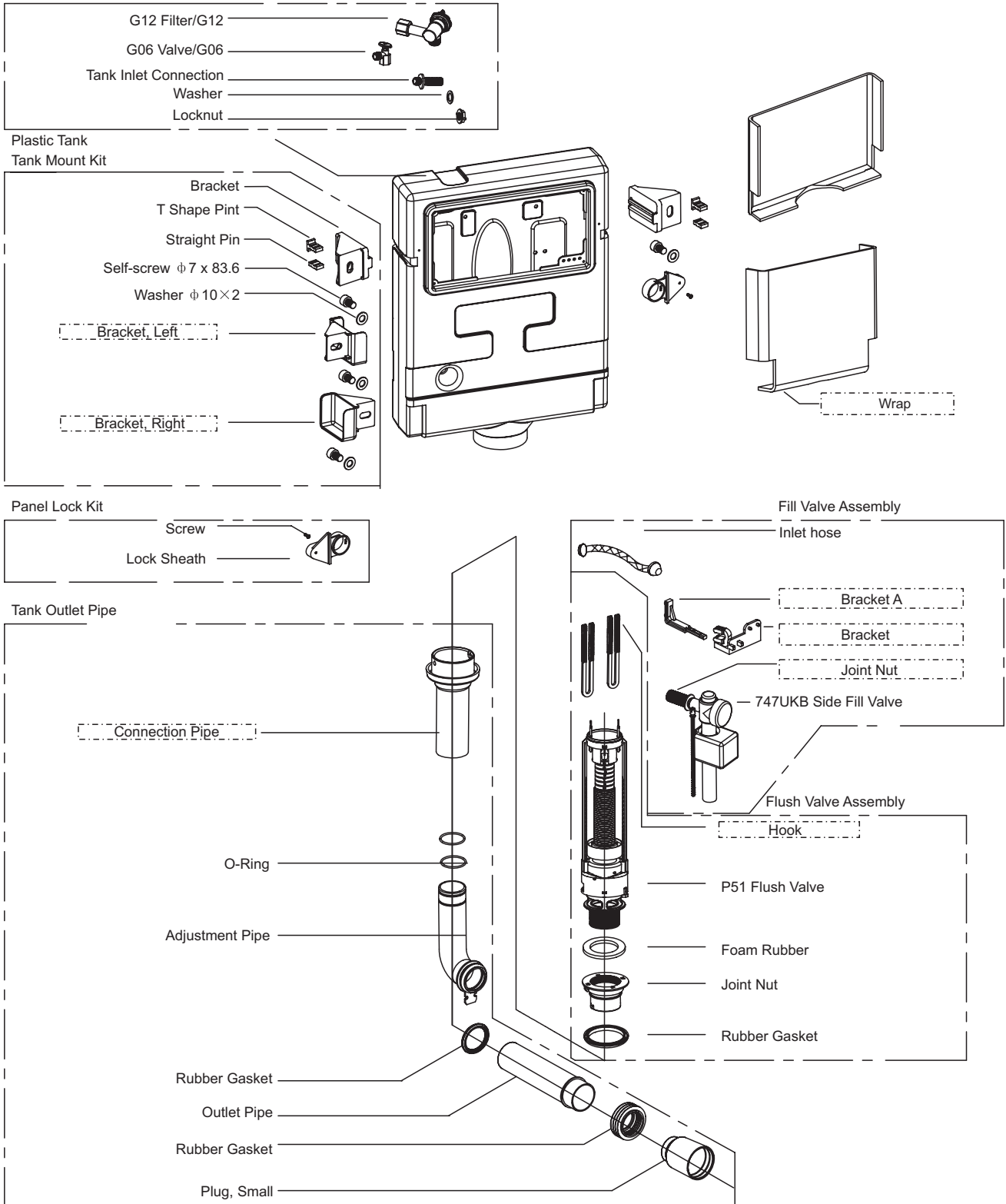


KOHLER®

INSTALLATION INSTRUCTIONS

ODEON IN-WALL TANK SERVICE PARTS PAGE

K-6283K/K-6284K



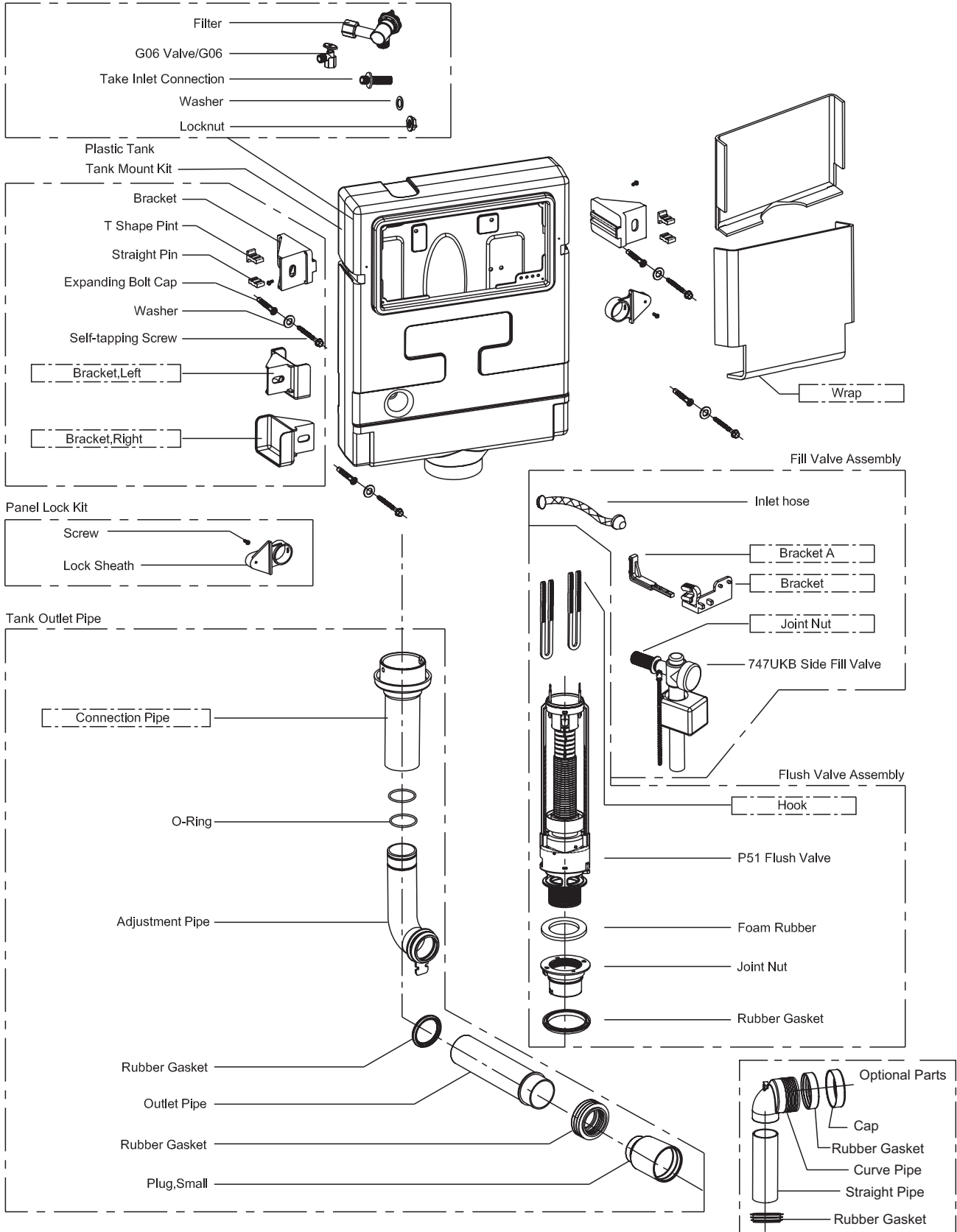
KOHLER®

INSTALLATION INSTRUCTIONS

ODEON IN-WALL TANK

SERVICE PARTS PAGE

K-6286K/K-6286R

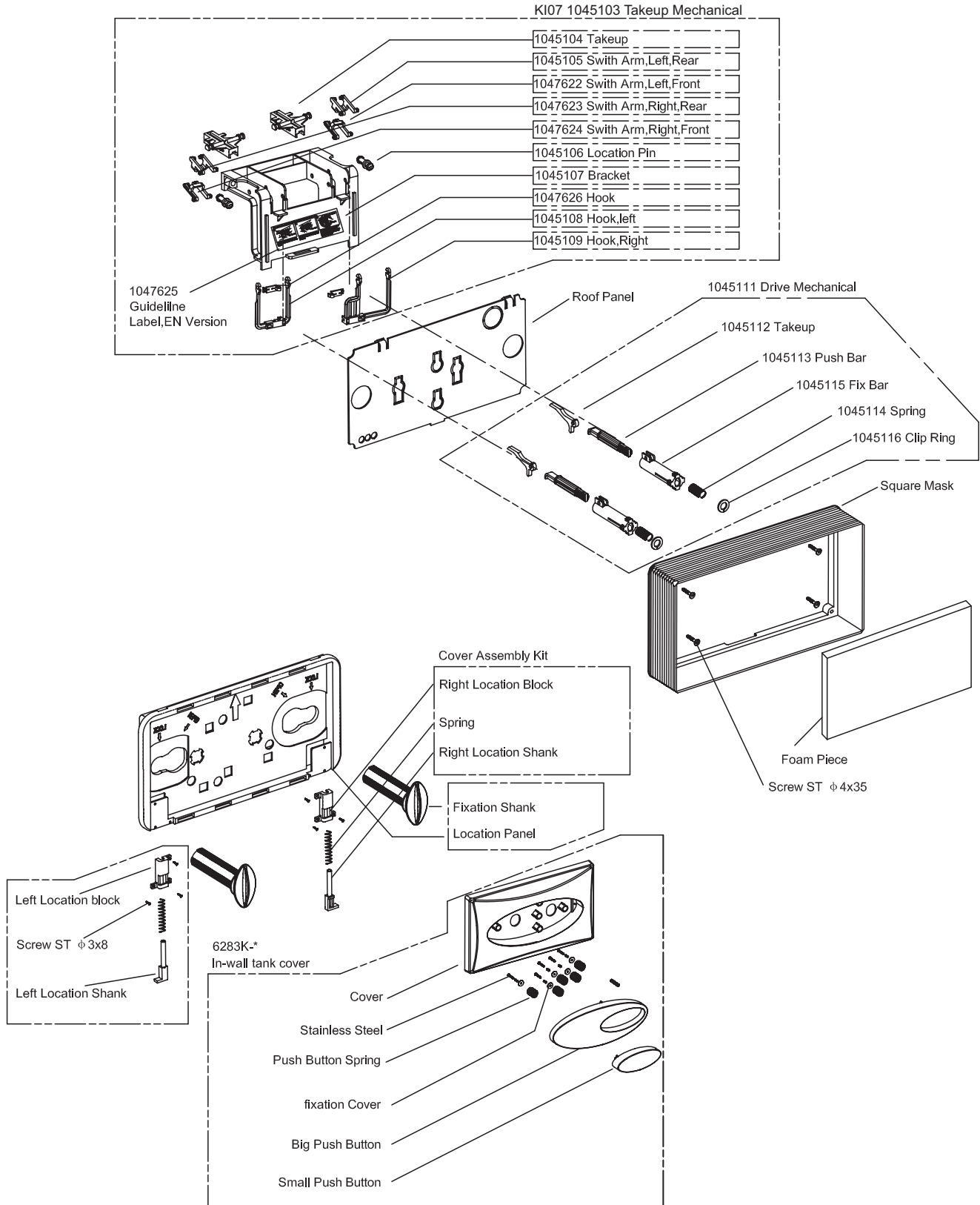


KOHLER®

INSTALLATION INSTRUCTIONS

ODEON IN-WALL TANK SERVICE PARTS PAGE

K-6286K/K-6286R



KOHLER®

INSTALLATION INSTRUCTIONS

ODEON
IN-WALL TANK
SERVICE PARTS PAGE
K-6286K/K-6286R

