

THE BOLD LOOK OF KOHLER®

PATIO® INSTALLATION INSTRUCTIONS WALL HUNG TOILET P-TRAP (8") K-18131IN-S

BEFORE YOU BEGIN



WARNING: Risk of personal injury or product damage. Handle with care.

Vitreous China can break or chip if the bolts and nuts are over-tightened, or if the product is handled carelessly.

- Observe all local plumbing and building codes.
- Carefully inspect the new toilet for any damage.
- If the In-wall tank is not installed, refer to the manufacturer's instructions before installation.

ORDERING INFORMATION

Patio, Wall-hung Toilet.....K-18131IN-S*
Includes Bowl.....K-4187IN-WD*
Includes Quiet Close Toilet Seat.....K-10614IN*
*Available in "-0(White)" & "-96(Biscuit)"

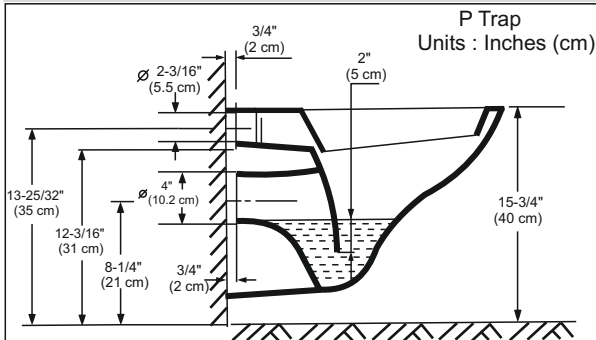
RECOMMENDED TANKS

Description	In-wall Tank	Cover/Face Plate
Hydro Tower 310 In-Wall tank 3/6 L	K-4178IN-2-NA	K-4177IN-2** K-8857IN-2** **indicates finishes "-CP", "MS1", "-B04" & "-B07"
Hydro Tower 310 In-Wall tank 3/4.5 L	K-4179IN-2-NA	
Hydro Tower 310 In-Wall tank 3/6 L Side Inlet	K-4178IN-2S-NA	
Hydro Tower 310 In-Wall tank 3/4.5 L Side Inlet	K-4179IN-2S-NA	

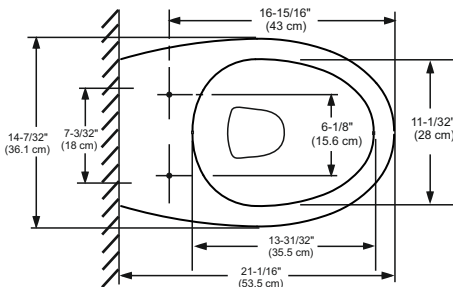
KOHLER RECOMMENDED SUPPORTS*** FOR TOILET INSTALLATION

SKU Description	M12 Rack Bolt	M16 Rack Bolt	Wall Bracket M12	Chair Bracket	In Wall Tank frame
SKU Code	1213309-0	1223947-0	1224238-0	1225108-0	97504IN-NA
	1213309-1CP-0	1223947-1CP-0			
	1213309-1BLM-0	1223947-1BLM-0			

ROUGHING-IN



RECOMMENDED TOOLS AND MATERIALS



NOTES:

- Fixture dimensions are nominal and conform to tolerances as per ASME Standard A112. 19.2M.
- Product illustrations shown are representative only; actual products may vary.
- Kohler reserves the right to make changes in product characteristics, packaging or availability at any time without notice.



CAUTION: Do not use white cement or high lime-content cement to install this toilet.

The expansion of cement due to rise in temperature may cause the toilet to crack or be damaged. Kohler is not responsible for any damage due to installation with the use of cement.

INSTALLATION GUIDELINE

<p>1 Cut bolts if needed. File bolt ends.</p> <p>80 MM</p>	<p>2 Remove Inlet Plug.</p> <p>Inlet Plug</p>	<p>3 Slide the gaskets on the Inlet & Outlet pipe as shown.</p>	<p>4 Slide the inlet pipe into the wall openings at water inlet to test the fitment of inlet pipe with toilet.</p>
<p>5 Note the distance between the wall & the toilet at the location shown. Measure excess length "A" on the inlet pipe.</p> <p>Inlet</p> <p>A</p>	<p>6 Remove the toilet. Cut & file the inlet pipe to proper length by removing excess length "A".</p> <p>A</p>	<p>7 Slide the outlet pipe into the wall openings at waste outlet to test the fitment of outlet pipe with toilet.</p>	<p>8 Note the distance between the wall & the toilet at the location shown. Measure excess length "B" of the outlet pipe.</p> <p>Outlet</p> <p>B</p>
<p>9 Remove the toilet. Cut & file the outlet pipe to proper length by removing excess length "B".</p> <p>B</p>	<p>10 Add silicon sealant in the gasket grooves.</p>	<p>11 Mount the toilet on the projected studs.</p>	<p>12 Level the toilet with Spirit level.</p>
<p>13 Insert rubber, washer & fixing nut for securing the toilet with the wall. Cut the extra length of the stud projecting out. Place the plastic caps.</p> <p>Washer</p> <p>Plastic cap</p> <p>Nut</p> <p>Rubber insert</p>	<p>14 Flush the toilet. Check for leaks. Seal connections if required.</p>	<p>15 Seal around the edges. Do not use cement.</p>	<p>Recommended Installation Parts:</p> <p>1169504 1169507 1169522</p> <p>Inlet Connection***</p> <p>1169520 1046327 (includes 1169520) 1046327-S</p> <p>Outlet Connection***</p>
<p>Recommended supports*** for Toilet installation :</p> <p>M12 { 1213309-0/ 1213309-1CP-0/ 1213309-1BLM-0/ 1223947-0/ 1223947-1CP-0/ 1223947-1BLM-0 } M16</p> <p>1224238-0</p> <p>1225108-0</p> <p>97504IN-NA</p>			<p>*** Installation parts shown aren't supplied with the product, to be procured separately.</p> <p>Note: Dimension A & B (as represented in pictures 6 to 10 above) to be adjusted as per specific site requirements.</p> <p>Toll Free 1800 103 2244 kohler.co.in © 2006 Kohler Co.</p>