

## Owners Manual

# KINETICO ULTRAVIOLET WATER PURIFICATION SYSTEM

MODEL: KUV 1200



## OWNERS MANUAL

Copyright Kinetico Incorporated 2009

All rights reserved. No part of this document may be photocopied, reproduced, transmitted or translated to another language without the prior written consent of Kinetico Incorporated.

Crossfire Technology® is a registered trademark of UV Pure Technologies Inc.

Publication Number: 13748  
First Edition, November, 2009

### Notice

**THANK YOU for purchasing a Kinetico UV water purification system Model KUV 1200.**

Please read the complete manual before installing or operating. Retain this manual and the purchase receipt for the unit.

This UV system is engineered to provide effective UV dosage rates for the inactivation of pathogens, including:

- viruses
- bacteria
- cryptosporidium
- giardia
- legionella
- E. coli
- Total coliforms

To be effective, the system must be installed in applications that meet minimum pre-treatment specifications.

### 1. About the Kinetico 1200 UV System

Kinetico 1200 UV systems incorporate patented Crossfire Technology.

Patented in US 6,707,048, Australia 2,002,333,084, Mexico 248805  
Patent Pending in Canada, Japan, UK, Europe & Eurasia  
Patents are owned by UV Pure Technologies Inc. and used under license by Kinetico Incorporated.

**Crossfire Technology** incorporates *two* proprietary high-output UV lamps, with elliptical reflectors, that target pathogens with radiation from 360°, to reduce UV shadowing and provide microbiologically safe drinking water.

Changing lamps in the **Kinetico 1200** is as simple as opening the front of the system. There is no draining, no disassembly and no risk of quartz breakage.

**The UV lamps require replacement after 12 months of operation.**

<b>1. About the Kinetico 1200 UV System</b>	<b>2</b>
<b>2. Installation Instructions</b>	<b>4</b>
Before Beginning Installation.....	4
Water Conditions - Pre-treatment Parameters .....	4
Safety Information .....	5
Parts Included .....	5
Other Materials Needed .....	6
Tools Needed.....	6
Location (on a wall).....	6
Time Required.....	7
Assembling the KUV 1200 .....	8
Connecting the Pipes .....	9
Parallel Installation .....	9
Locating the Receptacle and Optional TVSS .....	11
Plugging in the KUV 1200 .....	12
Flushing Instructions .....	12
<b>3. Operating Instructions</b>	<b>12</b>
Starting the Unit .....	13
Transient Voltage Surge Suppressor .....	14
Shutting Down the KUV 1200 and Seasonal Use .....	14
Disinfecting the Plumbing.....	15
<b>4. Troubleshooting</b>	<b>16</b>
<b>5. Maintenance</b>	<b>17</b>
Replacing and Cleaning UV Lamps.....	17
Draining the Unit .....	20
Cleaning the Unit.....	20
Inspection Procedure for Quartz Sleeve.....	21
In-place Cleaning .....	22
Disassembling the Unit.....	23
Removing and Cleaning the Quartz Sleeve .....	25
Reassembling the Unit .....	26
Replacement Parts.....	27
<b>6. Service Record Sheet</b>	<b>28</b>
<b>7. Limited Warranty</b>	<b>29</b>

## 2. Installation Instructions

### Before Beginning Installation

#### Water Conditions - Pre-treatment Parameters

Note: it is very important that the Kinetico 1200 is installed in conditions that meet the minimum specifications for pre-treatment. Please review the following pre-treatment parameters prior to installation.

Some of the specifications are technical in nature. If any specifications are of concern or unclear, please contact your Kinetico dealer.

**IMPORTANT - IF THE KINETICO 1200 SYSTEM IS INSTALLED IN CONDITIONS THAT DO NOT MEET THE SPECIFICATIONS, IT MAY VOID THE MANUFACTURER'S WARRANTY.**

#### Water Parameters for Treating Drinking Water:

The minimum water requirements for operating the Kinetico 1200 are:

- **UV Transmittance** – more than 85 percent transmission of ultraviolet light. (If there is color in the water, the UV transmittance may fall below 85 % and the system will not provide the necessary UV dose for safe drinking water.) It is recommended the water be tested for UV transmittance in any applications using cisterns, surface water or ground water under the influence of surface water.
- **Level of Turbidity** - or cloudiness - of less than or equal to 1 NTU (nephelometric turbidity unit). A 5 micron sediment filter is recommended before the unit to reduce turbidity. (The presence of a filter will also simplify disinfection of plumbing – see Disinfecting the Plumbing. For surface waters, a dual gradient 20 micron prefilter is also recommended.)
- **Hardness** – Hardness must be less than 7 grains (120 mg/L)
- **Total Iron** – Total iron must be less than 0.3 ppm (0.3 mg/L)

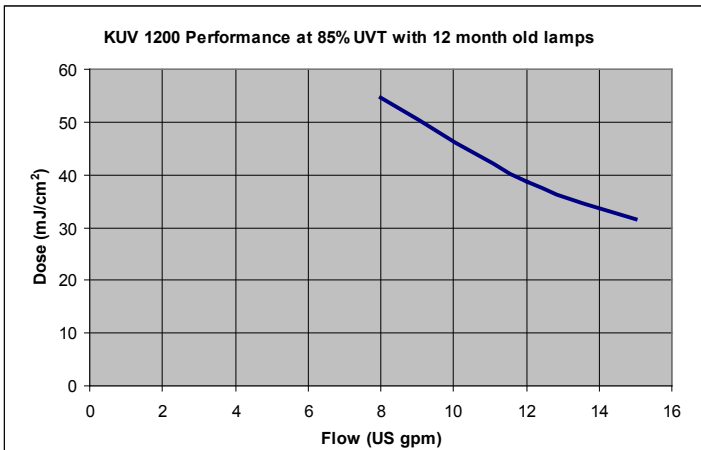


Chart 1

**Water Treatment Capacity:**

The water treatment flow range for the Kinetico 1200 is 0 to 12.0 U.S. gallons per minute (or 0 – 45 liters per minute) max, with a working pressure of 0 to 100 psig (or 0 to 690 kPa). The nominal flow rate of the unit is 12.0 U.S. gallons per minute (45.4 liters per minute). Chart 1 shows the Treatment Performance of the KUV 1200 at 85% UV Transmittance (UVT) and at the end of lamp life (EOLL).

**Temperature Requirements:**

Where the unit is installed, the ambient air temperature should be between 34°F to 95°F (1° C to 35°C). If the temperature drops below freezing, drain the unit completely to prevent damage (see Draining Instructions page 19). The acceptable water temperature range is 34°F to 95°F (1°C to 35°C).

**Energy Requirements:**

The standard operating voltage for the KUV 1200 UV system is 120 VAC, 60 Hz.

Kinetico recommends that the 1200 be connected to a Transient Voltage Surge Suppressor (TVSS)/Surge Protective Device (SPD) certified to the UL 1449 standard by an NRTL/C that includes integral Over/Under Voltage shutoff that is plugged into a ground power outlet. **Failure to plug the Kinetico 1200 into a power conditioner that meets specifications as indicated may void the Manufacturer's Warranty.**

**Safety Information****WARNING: Potential Shock Hazard**

Use only a grounded electrical outlet when connecting the supplied power conditioner to a power source. If you do not know whether the outlet is grounded, check with a qualified electrician. Do not plug in the Kinetico KUV 1200 if water has been spilled on the exterior surface of the system.

**WARNING: Ultraviolet Light Hazard**

The lamps in the UV system emit ultraviolet (UV) light that can cause permanent damage to the skin & eyes. **Never look at the lamp when it is operating.** Do not plug the KUV1200 in unless it is properly secured to a wall (see Installation Instructions) and the front panel and ballast enclosure are secure. Do not open the front panel or perform any service unless the KUV1200 has been unplugged. Never look into the unit or place any exposed skin into the illuminated areas when it is operating. Do not operate a KUV1200 that has been damaged or missing any components or safety devices.



The KUV 1200 is not intended for use by young children or infirm persons without supervision. Young children should be supervised to ensure that they do not play with the UV system.

**Parts Included**

- Kinetico KUV1200 UV water purification system, complete with integral

- wall brackets, instruction manual
- Power cord (located within packaging)
- Ultraviolet lamps (two) – installed in the KUV 1200
- Anti-Fouling System

### Other Materials Needed

The UV requires four #12 to 1/4" diameter fasteners (not provided) to mount to a wall. It also requires female 1" NPT fittings for the manifold connections. These fittings, pipe insulation, and any piping compatible with the plumbing should be on hand before you begin installation. See Figure 1B and make a list of all necessary components including solder, paste and thread sealant. By-pass piping and valves that isolate the unit are optional, (but recommended) as is a drain valve for draining the unit. Using a union or a flexible stainless hose at the top and bottom port of the unit is recommended to allow easier maintenance of the unit.

**Pipe insulation should be wrapped around the top piping, above the system, to prevent condensation from dripping back onto the unit.**

### Tools Needed

- Pipe cutter, torch, wrench and other typical plumbing tools for modifying piping
- Slotted screwdriver

Do not operate a Kinetico KUV 1200 that has been damaged or that is missing any components. If a part is missing, contact your Kinetico dealer.

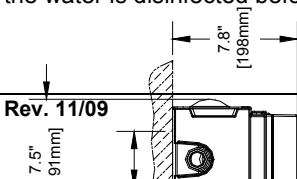
The installation (see Figures 1A through 1E) should be done in compliance with all applicable federal, state/provincial and local regulations. Failure to install the KUV 1200 properly may result in property damage (leaks/flooding) or personal injury (electrical shock) and will void the Manufacturer's Warranty.

The Kinetico KUV 1200 is intended only for indoor use in a dry location. Should these minimum installation recommendations not be met, the system will not operate effectively.

### Location (on a wall)

The KUV 1200 must be positioned vertically on a wall. **(The performance of the system will be adversely affected if mounted horizontally.)** See Figure 1A for clearances.

The KUV 1200 should be installed **downstream of (after) any pre-treatment devices** such as filters, water softeners and any pressure tanks. However, it must be installed **upstream of (before) any branches** in the piping so that **all** the water is disinfected before splitting and distributing throughout a home or



**Figure 1A**

building. If the plumbing system has a grounding lug or strap, this should also be upstream from the KUV 1200. If grounding or plumbing of the Kineticico KUV 1200 system is in question, please consult your local electrical inspector.

**Time Required**

Please note that full installation of the UV requires shutting off the main water supply for up to several hours. If disinfection is necessary, all pipes must be treated and flushed. Once the KUV 1200 is plugged in and turned on, the new UV lamps usually take 2-3 hours to reach full power.

**Summary of Installation:**

- Unpack and attach the KUV 1200 to a wall
- Connect top & bottom manifolds to plumbing
- Install optional by-pass plumbing
- Install Anti-Fouling System
- Connect system power cord to an optional Transient Voltage Surge Suppressor (TVSS)
- Connect TVSS to grounded power outlet

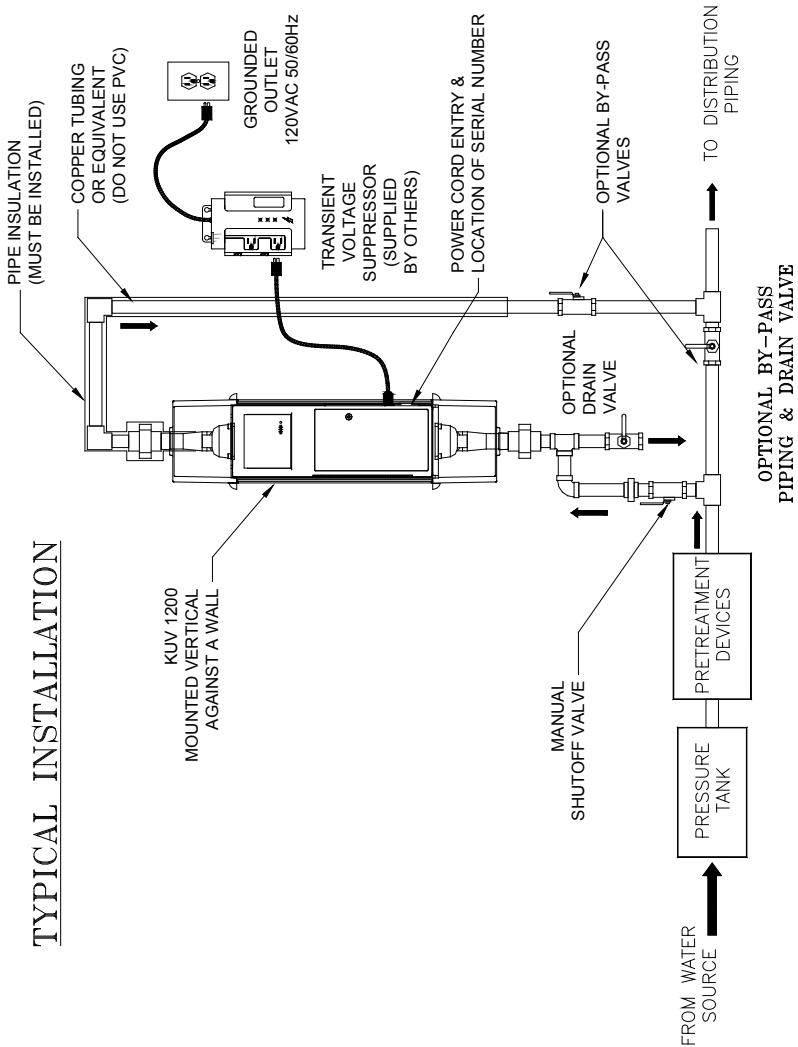


Figure 1B

**Assembling the KUV 1200**

**Step 1:** Unpack the system, being careful to remove all packaging material. Inspect the system for damage, particularly the quartz sleeve (See Figure 4A on page 20.)

**Step 2:** The KUV 1200 has two keyhole slots (top) and two round holes (bottom) for convenient mounting – all four should be used. To mount the system, use the template, included, to position the two top holes. **The unit should be secured**



**vertically to a solid wall or plywood, large enough to cover the complete backside of the unit – See Figure 1C. Do not** install the system horizontally. Remove the top and bottom covers of the unit to make the mounting holes accessible.

### Connecting the Pipes

We recommend that a qualified Kinetico dealer or licensed plumber perform the water connections for your UV system. **Water must flow into the inlet at the bottom of the KUV 1200. The outlet is located at the top of the unit. The stainless steel manifolds (both top and bottom) must be held with a wrench when tightening mating connector. The use of a flexible stainless hose is recommended (Part No. 13989).**

**Step 1:** Shut off the water supply. **Caution:** Always turn off the water supply before modifying or disconnecting any piping. Always open a faucet after shutting off the water supply to relieve water pressure and ensure that the water has been completely shut off.

**Step 2:** If you have decided to install an optional by-pass line and drain, you may begin to install these fittings at this point. See Figure 1B for more information on how to connect optional by-pass piping and drain.

**Caution: Do not allow solder or solder flux to fall in or on the KUV 1200.**

**Step 3:** Connect the outflow piping to the manifold located at the top of the unit. **Do not use PVC pipe or braided hose at the outlet –** during extended periods of no flow, water temperatures may exceed the softening point of PVC.

**Step 4: Caution: Do not allow the inside of the unit to get wet.** Before turning on the water supply, double check all connections and cover the top of the system with a rag or some plastic to prevent water entry. Ensure that the front panel is closed. Close any faucets you opened in Step 1 and then slowly turn on the water supply to check for leaks. If leaks exist, investigate the cause and repair. **Caution:** Do not connect the unit to electrical power until the piping and unit are free of water leaks.

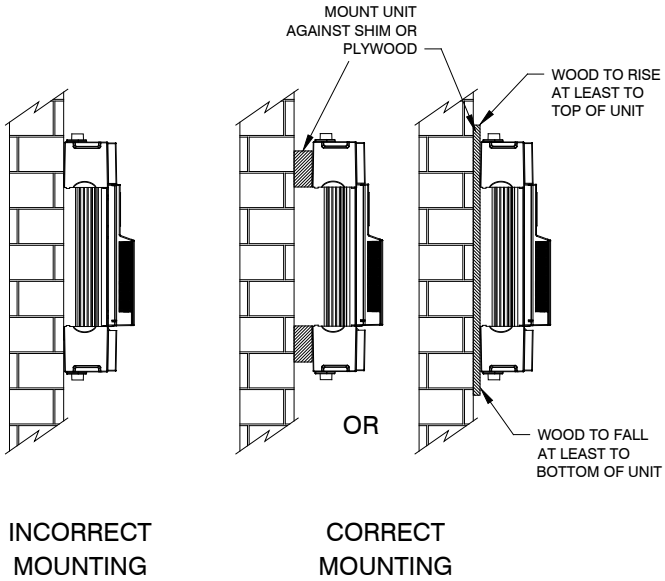
**Step 5:** Install the Anti-Fouling System. The Anti-Fouling System consists of a pressure regulator, drip valve and connectors and is designed to allow a small amount of water to flow through the UV unit during periods of no water usage. It should be located such that water would flow from the water reservoir (or pressure tank) through the UV unit and then through the Anti-Fouling System. Detailed instructions for the system are provided within the kit.

**Step 6:** Once the system is checked for leaks, install pipe insulation on all overhead outlet piping to prevent condensation from falling onto or into the unit.

### Parallel Installation

When more than one system is installed in parallel to increase treatment capacity (the flow is divided among systems), the systems must be installed with manual shutoff valves before and after each system. This allows one KUV 1200 to be

serviced without interrupting the flow to the other(s). See Figure 1D.



**Figure 1C**

TYPICAL INSTALLATION OF PARALLEL UNITS

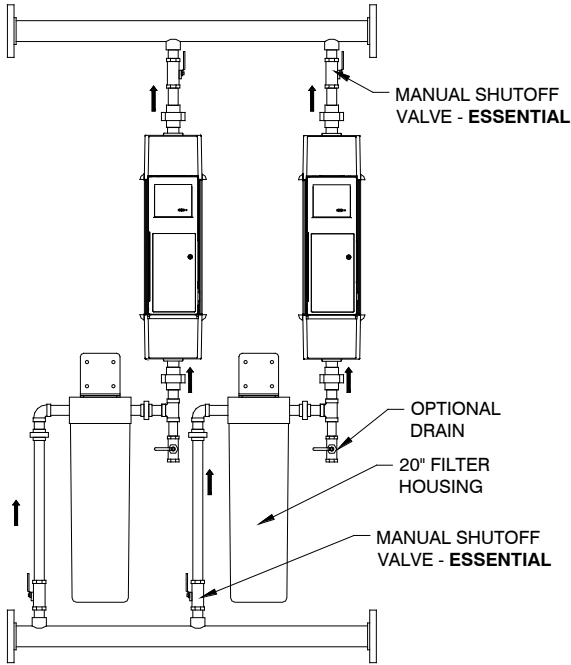


Figure 1D

Locating the Receptacle and Optional TVSS

Install the receptacle and optional TVSS in a sufficiently high location so that if the power cord is removed from the unit and drops, the end of it will not fall to the floor potentially in any water spills – See Figure 1E. If this is not possible, the power cord should be secured to the wall to prevent it from falling.

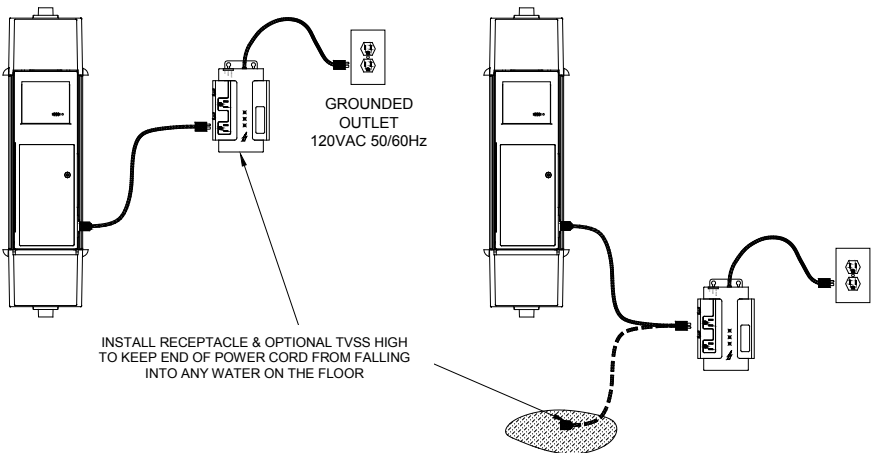


Figure 1E

### Plugging in the KUV 1200

**Step 1:** Ensure that the front panel of the unit is closed and the unit is securely fastened to the wall. (**Note:** You should not open the front panel unless the unit has been unplugged to prevent risk of electrical shock and exposure to UV light.)

**Caution: It is not recommended to operate the KUV 1200 dry.** Water should be in the treatment chamber when the unit is in operation.

**Step 2:** Plug the female end of the power cord into the power entry module located on the right side of the front panel. Plug the male end of the power cord into the optional Transient Voltage Surge Suppressor. Plug the optional Transient Voltage Suppressor into a grounded electrical outlet.

**Caution:** Use only a grounded electrical outlet when connecting the KUV 1200 to a power source. If you do not know whether the outlet is grounded, check with a qualified electrician. If an extension cord is necessary, the cord should contain a ground and have an electrical rating no less than the rating of the unit or combined units. The piping connected to the UV unit must also be properly grounded.

The installation is now complete.

**Important:** After the unit has been operating for a few hours, unplug the unit and check all connections for leaks. Repeat this procedure periodically.

**Proceed to “System Operation” for further instructions and to ensure optimal performance.**

### Flushing Instructions

Flushing the system is required after installation or after any disassembly and cleaning. Flushing may also be required to remove colored water from the unit. Most filters (if installed) also require flushing prior to use – follow the manufacturer’s recommendations if filters are installed before the system(s).

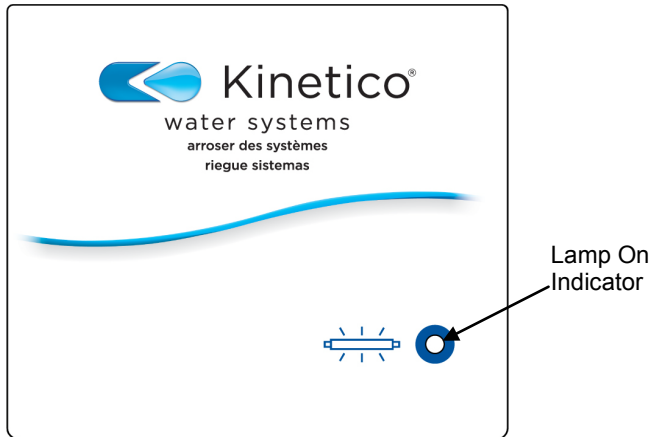
The system may be flushed in two ways. It can be done manually by disassembling the unit and filling and draining the unit by hand (see Cleaning the Unit). Flushing may also be done while the unit is operating. Plug in the unit, open a faucet closest to the unit, and run the water for a minimum of 15 minutes.

### 3. Operating Instructions

The KUV 1200 incorporates advanced Crossfire Technology, yet is simple to operate. Inspection of the quartz chamber is a simple visual inspection. The only required maintenance is the replacement of the two UV lamps every 12 months. (Note - If you shut your system down for seasonal use, the lamp life will be

extended. Keep a record of usage to ensure UV lamps do not exceed their lifetime.) Periodic inspections of the quartz sleeve are recommended to ensure optimal unit performance (see Determining Need for Cleaning Section).

## Unit Functions



**Figure 2**

There is a viewport on the front panel that projects visible light when the UV lamps are ON. If visible light can not be seen, the UV lamps are not energized and the system will not provide effective treatment.

## Starting the Unit

**Caution: Do not operate unit with the front carriage door or ballast enclosure door open. Do not try to open the front carriage door or ballast enclosure door when the unit is operating** – Shut down and unplug the unit before opening either the front carriage door or ballast enclosure. The KUV 1200 has a safety switch that will disable the lamp power supply if the front carriage door is not completely closed.

**Caution: It is not recommended to operate the KUV 1200 dry.** Water should be in the treatment chamber when the unit is in operation. In the event of a lack of water or if the water supply is turned off, shut down the system until the water supply is restored. In the event of a power failure, the unit will shut down automatically. When the power returns, the unit will automatically restart. Note that during a brownout, the supply voltage may drop low enough to cause the unit to shut down. If the unit does not automatically restart as described above, unplug the system, wait 10 seconds and plug it in again. This will “re-boot” the system and it will re-start automatically.

**Step 1:** Make sure the system is plugged into a Power Conditioner, and plug the Power Conditioner into a grounded outlet to start the system. **Caution:** Never look into and never expose skin to the UV lamps when the unit is operating. Wait

at least one minute between system restarts.

**Step 2:** When the KUV 1200 is plugged in, the viewport will be illuminated, indicating that the lamps are energized and functioning.

During normal operation, if a power outage occurs, the system will re-start automatically within a few seconds after power is restored.

If the UV lamps fail to energize during start-up procedures, re-boot the system by unplugging the unit, waiting 10 seconds then plugging it back in. This will cause the system to re-start.

### **Transient Voltage Surge Suppressor**

Installation of an optional Transient Voltage (or Surge) Suppressor (TVSS)/Surge Protective Device (SPD), certified to the UL 1449 standard by an NRTL/C that includes integral Over/Under Voltage shutoff protection, is recommended.

Kinetico's UV water purification systems are designed to operate within normal power grid specifications (voltages and frequencies), worldwide. However, power spikes, surges and brownouts are a common occurrence in all countries. When that happens, line voltages may fluctuate outside the systems' operating specifications.

Installation of the optional TVSS/SPD (Power Conditioner) between the UV system and the power source will increase the likelihood of the system surviving transient events on the AC power grid. This will help to ensure uninterrupted water treatment and reduce the risk of repairs due to damage from power spikes, surges and brownouts that are not covered by the Manufacturer's Limited Warranty.

### **Shutting Down the KUV 1200 and Seasonal Use**

Simply unplug the KUV 1200 to shut the system down.

The KUV 1200 may be left on for extended periods of time without use of water **as long as the system has water in it and has not been drained**. Extended periods of no water usage however, may increase chances of quartz fouling. Periodic inspections of the quartz sleeve is recommended to ensure optimal unit performance. The system may also be shut down in the case of seasonal residences or during a vacation. If the possibility of freezing exists, the unit and any filters must be drained. (See Draining the Unit.) When the system is first restarted, in spring for example, reconnect all fittings, close all valves and turn on the water supply. Plug in the UV system and run water through the unit for at least 15 minutes.

**Caution:** If the optional by-pass piping is used, untreated water may enter the plumbing system during by-pass. Emergency use of untreated water is the only time that by-pass piping should be used. In that case, any water used for drinking should be boiled. Unplug the system if the by-pass is used.

## Disinfecting the Plumbing

Disinfection of the household or building plumbing should be performed after the UV system has been installed and is operating. This procedure should also be done if the system is not functioning normally, if a by-pass has been used, or if there has been a high background bacteria count in a water sample. Disinfecting the plumbing will ensure that any potential bacteria or contaminants in the distribution system are treated prior to system use.

Please note that this procedure is ineffective against protozoa that can be found in surface water or shallow wells under the influence of surface water. Under these circumstances, it is important to perform the disinfecting procedure and then operate the UV unit. This procedure does not work with sediments or heavy biofilm and encrustations, which must be removed mechanically.

Sanitizing the household or facility plumbing is accomplished by adding 50 ppm chlorine from bleach for 12 hours and then flushing. This can be achieved by doing the following:

**Step 1:** Turn off the KUV 1200 by unplugging it.

**Step 2:** Shut off the water supply, and relieve the water pressure by opening a faucet.

**Step 3:** Remove a filter (if installed) from its housing and fill the housing with bleach.

**Step 4:** Re-mount the housing (but not the filter) and plug in the UV system to turn it on.

**Step 5:** When the KUV1200 is operating, turn on the water supply and run water to all faucets (hot and cold), toilets, the washing machine and other water-using appliances – the bleach must fill every inch of plumbing.

**Step 6:** When you detect the odor of chlorine at each spot, stop running the water and let the bleach remain in the lines for at least 12 hours. Turn off the UV system during this procedure.

**Step 7:** After the waiting period is over, turn on the UV unit, wait 15 minutes, then flush every line for at least five minutes or until the odor of chlorine is gone. See local regulations for proper disposal of chlorine residual, especially in the case of discharge into a septic system.

**Step 8:** Now that the disinfection procedure is complete, you will need to return the filter (if installed) to its housing. Shut off the water supply, relieve water pressure by opening a faucet, and return the filter to the housing. Allow a few days after a disinfection procedure before getting a sample since residual chlorine may affect the results.

Have the water tested by a local recognized testing agency prior to any water consumption. For your local water testing labs, contact your Kinetico dealer. The testing should be performed on a regular basis as required by local regulations.

**Caution: Do not allow chlorine to remain in the KUV 1200 for more than 12 hours. Do not operate the system during this time because heating the water in the system will increase the corrosive nature of chlorine.**

#### 4. Troubleshooting

The KUV 1200 will operate automatically and unattended.

Disinfection of water will occur as long as the unit is properly maintained in accordance with the instructions set out in this manual. Operating a malfunctioning unit may jeopardize the operation of the KUV 1200 and the safety of the water. If any system failure occurs and water enters the plumbing system without being disinfected, or if an optional by-pass is used, any water used for drinking should be boiled. Under these circumstances, the water supply should be disinfected after returning the unit to normal operation. (See Section on Disinfecting the Plumbing.)

If water should drip or leak onto the UV system, unplug the system and repair the leak (or add pipe insulation to prevent condensation runoff). Dry all remaining water, and inspect the lamps and reflectors for water spots and clean them if necessary– (see section on Replacing and Cleaning UV Lamps). The reflectors are the shiny curved panels in front of and behind the lamps. The reflectors may be wiped with a clean, soft cloth. If the reflectors do not come clean or are damaged, they must be replaced.

#### “Lamp On” Indication

There is a viewport on the front panel that projects visible light when UV lamps are ON. If visible light can not be seen, the UV lamps are not energized and the system will not provide effective treatment. If the UV lamps have been operating for 12 months, replace the UV lamps with new lamps. If the lamps have not been operating for 12 months, inspect the lamps. If the lamps are not discolored, re-start the system by plugging it back in and observe the viewport. If the UV lamps either fail to start or start but go out after several minutes, the lamps should be replaced. If the lamps are significantly discolored, replace both lamps and ballast.

**If one or both lamps exhibit significant discoloration at their ends, this implies the lamps and ballast have expired. Both lamps and ballast must be replaced. Operating new lamps with an expired ballast will cause damage to the new lamps.**

If no visible light can be seen in the viewport, it is possible that there is no power to the unit; the door safety switch is not engaged; or the ballast may require replacement. Check for power. Check door safety switch. If no fault is found with these items, replace ballast. Use chart below for quick reference guide.

<i><b>Unit Status</b></i>	<i><b>Possible Cause</b></i>	<i><b>Corrective Action</b></i>
Viewport illuminated	Unit treating	No Action Required
Brief flash or	Ballast is attempting to	Replace lamps.



momentary illumination	start lamps but lamps will not stay lit.	
Viewport not illuminated	UV lamps have exceeded 12 months	Replace lamps. Note: If lamps discolored, ballast must be replaced as well.
	UV lamps have not exceeded 12 months	Inspect lamps for discoloration. If lamps discolored, replace both lamps & ballast. If lamps not discolored, unplug unit & plug it in again after 10 seconds. Reduce the number of starts & stops on the unit – replace lamps. Voltage drops may cause ballast to cut out. Unplug unit and plug in again.
	No power to unit	Check receptacle or GFI.
	Door safety switch not engaged	Close front carriage door.
	Ballast expired	Replace ballast. Confirm TVSS is installed and operating. Inspect lamps - if lamps discolored, they must be replaced as well.
	Water leaking onto unit	Inspect unit and replace damaged components.

## 5. Maintenance

### Replacing and Cleaning UV Lamps

The system contains two ultraviolet (UV) lamps that emit high-intensity UV light in the germicidal frequency range, providing effective disinfection of the water flowing through the unit. The lamps will lose UV intensity over time and should be replaced every 12 months. It is recommended to run the UV lamps continuously since frequent starts and stops will accelerate the lamp expiration. (Note: Shutting down the system for seasonal use will extend lamp life.)

The lamps can be easily replaced in minutes. Draining the system or removing it from the wall is not required. See Figure 3.

**Caution:** The lamps in the unit emit ultraviolet (UV) light that can cause permanent damage to the skin and eyes. **Never look at a lamp when it is operating. Always unplug the unit before replacing lamps.**

**Caution:** Never touch the bulb (transparent quartz portion) of a lamp with your fingers. Handle the lamp by its ceramic ends only. If the surface of the lamp becomes dusty or dirty, use a clean, lint-free cloth and some rubbing alcohol to remove the dirt. For more difficult stains such as water spots, use a scale remover to remove the stain and then rubbing alcohol afterward. The lamps are fragile and must be handled with care.

### Tool Needed

- Slotted screwdriver

**Step 1:** Remove the top and bottom cover by pulling each side of the plastic cover outward from the system. When the top cover is removed, you will see two wing nuts that secure the front carriage door. Loosen the wing nuts so that the front carriage can be tilted forward to reveal the lamps. Lower the front carriage until it comes to a stop at 45 degrees.

**Step 2. CAUTION:** The lamps are very hot after continuous use and can burn your skin on contact. Allow lamps to cool for five minutes before removing them. Slowly lift the old lamps out of the system. **Do not twist the lamps as they are being removed.** To help remove the lamps, insert a flat bladed screwdriver between the lamp base and its socket and lightly pry the lamps upward (see Figure 3). Dispose of the old lamps in the same way you would dispose of ordinary fluorescent lamps. Note that old lamps should be disposed of at a household waste management depot or transfer station; contact your local recycling and waste management authority for proper disposal procedures.

**Step 3:** Install the new lamps into the KUV 1200, being careful not to touch the bulb. **Ensure that the lamps are aligned with the tab facing the outside of the system (left or right side of the system), or, if the lamps have a “stop sign” printed on the top ceramic, ensure that the “stop sign” is facing toward the middle/center of the system. (If you cannot see the stop sign, the position of the lamp is correct; if you CAN see the stop sign, the lamp is backward. Spin the lamp 180 degrees so that you cannot see the stop sign. (See Figure 3)**

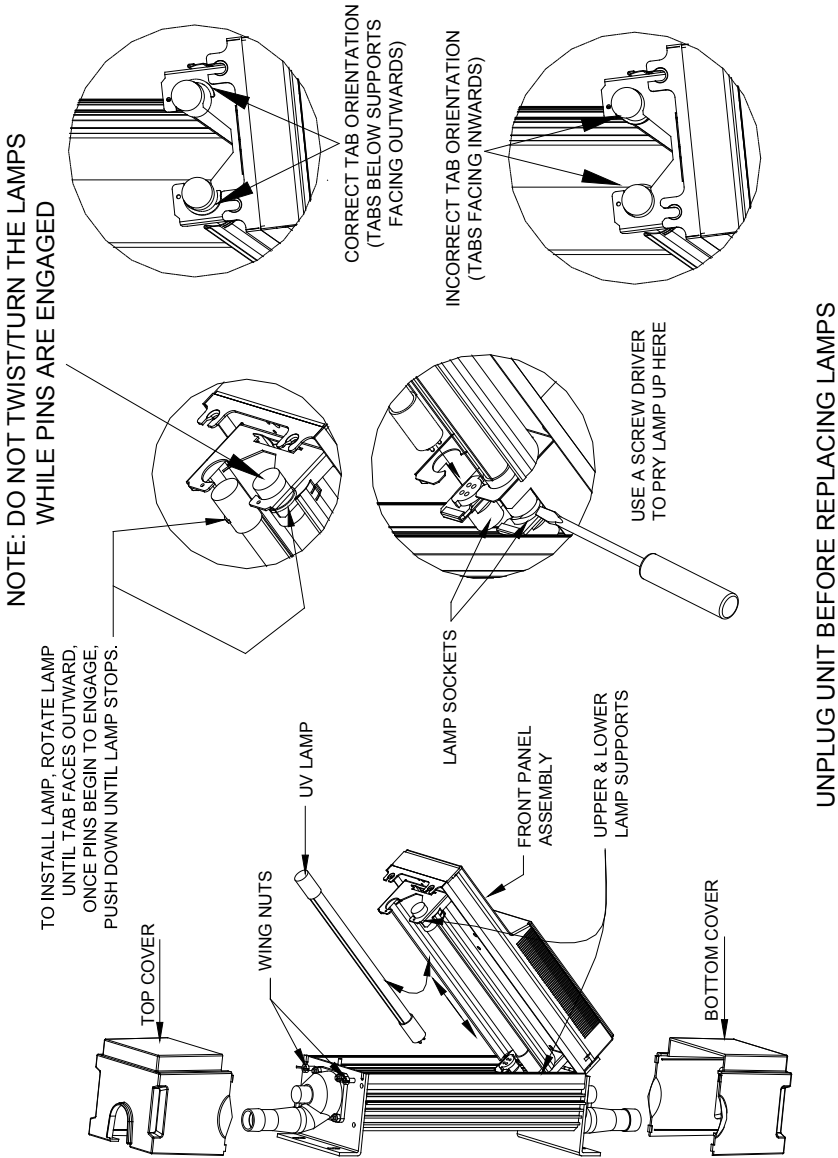


Figure 3

Once the pins of the lamp begin to engage into the lamp socket, push firmly down on the top of the lamp. **Do not twist the lamps when they are inserted.** The lamp will come to rest when the pins are fully seated into the socket. When

pressing down, be sure to position the lamp ceramic end in the center of the hole in the lamp holders. Repeat this for the other side.

**Step 4:** Return the front panel to the upright position and secure it by tightening the wing nuts. Replace the plastic covers.

**Step 5:** Plug in the KUV 1200. The Lamp On viewport will be illuminated indicating that the lamps are energized and functioning. Note the date of lamp replacement.

### **Draining the Unit**

The UV system does not require draining for routine operation or lamp replacement. Draining is necessary to disassemble the system, to protect against freezing or to remove poor-quality water.

**Step 1:** Shut off the water supply.

**Step 2:** Unplug the system from the electrical outlet.

**Step 3:** Place a bucket under the unit to collect the water.

**Step 4:** Open a faucet downstream of the unit.

**Step 5:** If you have installed an optional drain valve, open the drain valve. If you do not have an optional drain valve, disconnect the water pipe below the unit and allow the system to drain for a few minutes.

**Step 6:** When draining is complete, close the drain valve or reconnect the pipe.

**Step 7:** Close any faucets that were previously opened.

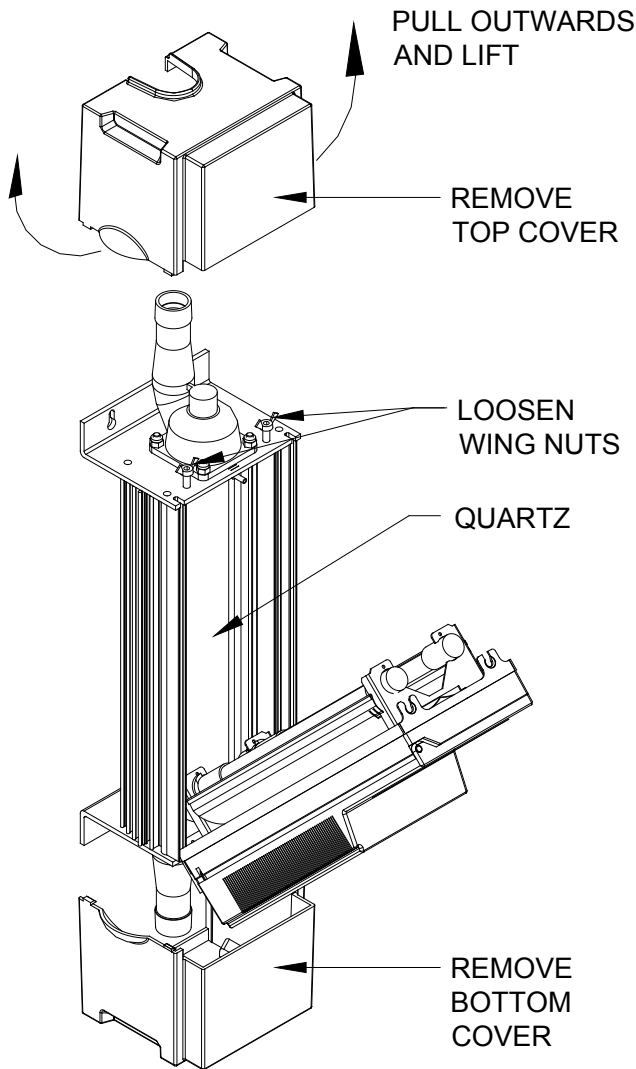
### **Cleaning the Unit**

If the quartz water column becomes fouled due to water chemistry that is outside normal specified ranges, follow the steps below to inspect the quartz and for quartz cleaning.

**Caution:** Always unplug the system before performing any maintenance. Never operate a system unless the front panel is completely secured.

### **Tools Needed**

- Slotted screwdriver
- Adjustable wrench or a 7/16" open end wrench or deep socket wrench driver

**Inspection Procedure for Quartz Sleeve**

**Figure 4A**  
(Recommend inspecting quart sleeve every three months.)

**Step 1:** Unplug the unit.

**Step 2:** Remove the plastic covers by pulling each side of the cover outward from the unit, and loosen the wing nuts holding the front carriage.

**Step 3:** Tilt the front carriage open until it comes to rest at a 45° position.

**Step 4:** Examine the quartz sleeve visually. If it is clean, no disassembly is required. Return the front panel to the upright position and tighten wing nuts. Plug in the unit and operate as normal.

If the quartz sleeve is dirty on the outside, proceed to wipe it down with a clean, lint-free cloth and rubbing alcohol to remove the dirt. If the quartz sleeve is dirty on the inside, proceed with in-place cleaning or disassembly.

**Caution:** The quartz sleeve can break or chip if mishandled. Always handle it with care and keep it in a safe place if it is removed from the unit. Do not strike the quartz sleeve with any tool, since even the smallest chip can cause it to break under pressure.

### In-place Cleaning

There are instances where water chemistry outside minimum specification ranges requires manual quartz cleaning. This procedure will clean the quartz without its removal from the unit. This is a quick and easy procedure that works well in most cases.

**Step 1:** Fill a bucket or container with water before shutting off the water supply since you will need the water later to clean the quartz sleeve. A squeeze bottle is useful for applying water or cleaning solution to the inside of the quartz sleeve.

**Step 2:** Unplug the system and open the front panel so that it is tilted forward to reveal the lamps. Lower the front panel until it comes to rest at a 45° position.

**Step 3:** Place another bucket under the unit and drain the unit until there is about 1" (3cm) of water left in the quartz sleeve (see Draining the Unit).

**Step 4:** Disconnect the **top** pipe connection.

**Step 5:** Add about 2 oz. (60cc) of cleaning solution through the top opening. The cleaning solution can be a citric acid, vinegar or other non-hazardous slightly acidic solution. **Any solution used should be thoroughly rinsed out afterwards.** Fill the rest of the quartz with water.

**Step 6:** Let the cleaning solution remain in the quartz for at least 10-20 minutes.

**Step 7:** It may be helpful to manually clean the inside of the quartz tube with a bottle brush.

**Step 8:** Drain the system and inspect the quartz sleeve. If clean, flush the unit with clean water. If fouling remains, repeat the cleaning procedure.

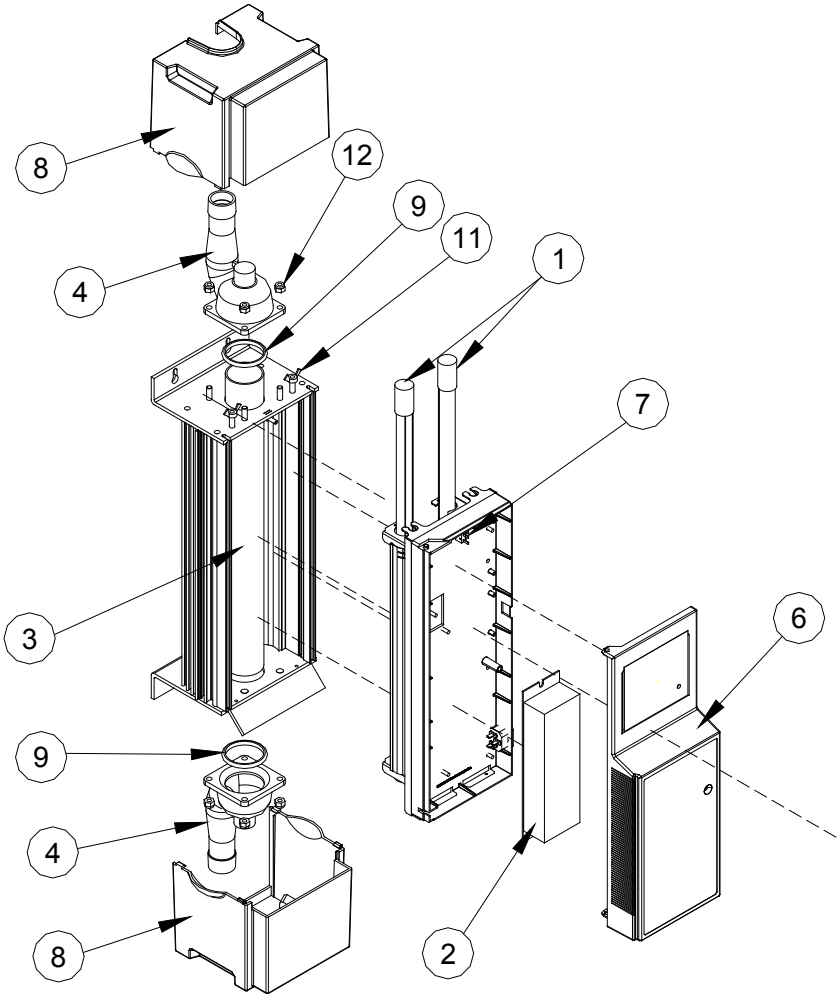
**Step 9:** Once the unit is clean, reassemble the system.

**Step 10:** Slowly open the water supply and check for leaks.

**Step 11:** Replace all covers and plug in the KUV 1200.

## Disassembling the Unit

**NOTE:** This procedure is not recommended for individual household users. Please contact your certified water specialist for assistance if disassembly is required.



**Figure 4B – UV unit  
(Exploded view of parts - for reference only)**

KUV 1200 PARTS LIST			
ITEM NO.	KINETICO PART NO.	QTY.	DESCRIPTION
1	13739	1	KUV 1200 LAMPS (SHIPPED IN PAIRS)
2	13746	1	BALLAST
3	13743	1	QUARTZ SLEEVE REPLACEMENT KIT (INCLUDES 2 O-RINGS)
4	13975	2	TOP/BOTTOM SS MANIFOLD REPLACEMENT
5	13986	1	REFLECTOR KIT (SHIPPED AND SOLD IN PAIRS)
6	13987	1	CABINET DOOR FOR BALLAST ENCLOSURE
7	13988	1	DOOR SAFETY SWITCH KIT
8	n/a	2	TOP OR BOTTOM CAP
9	13982	1	SEAL KIT (CONTAINS TWO O RINGS)
10	13983	1	LAMP SOCKET WIRE HARNESS
11	n/a	2	WING NUTS – ¼-20
12	n/a	8	LOCKING NUTS, ¼-20
-	13989	1	1" FLEXIBLE STAINLESS STEEL HOSE
-	13985	1	TRANSIENT VOLTAGE SURGE SUPPRESSOR FOR 115V SYSTEMS
-	13990	1	ANTI-FOULING SYSTEM

**Figure 4B – Parts List**

**Step 1:** Fill a bucket or container with water before shutting off the water supply since you will need the water later to clean the quartz sleeve (3). A squeeze bottle is useful for applying water or cleaning solution to the inside of the quartz sleeve.

**Step 2:** Place another bucket under the unit and drain the unit (see Draining the Unit).

**Step 3:** Open the front panel. The lamps may be removed to prevent them from getting dirty or damaged.

**Step 4:** Disconnect the pipe from the top of the system and remove the top quartz seal assembly.

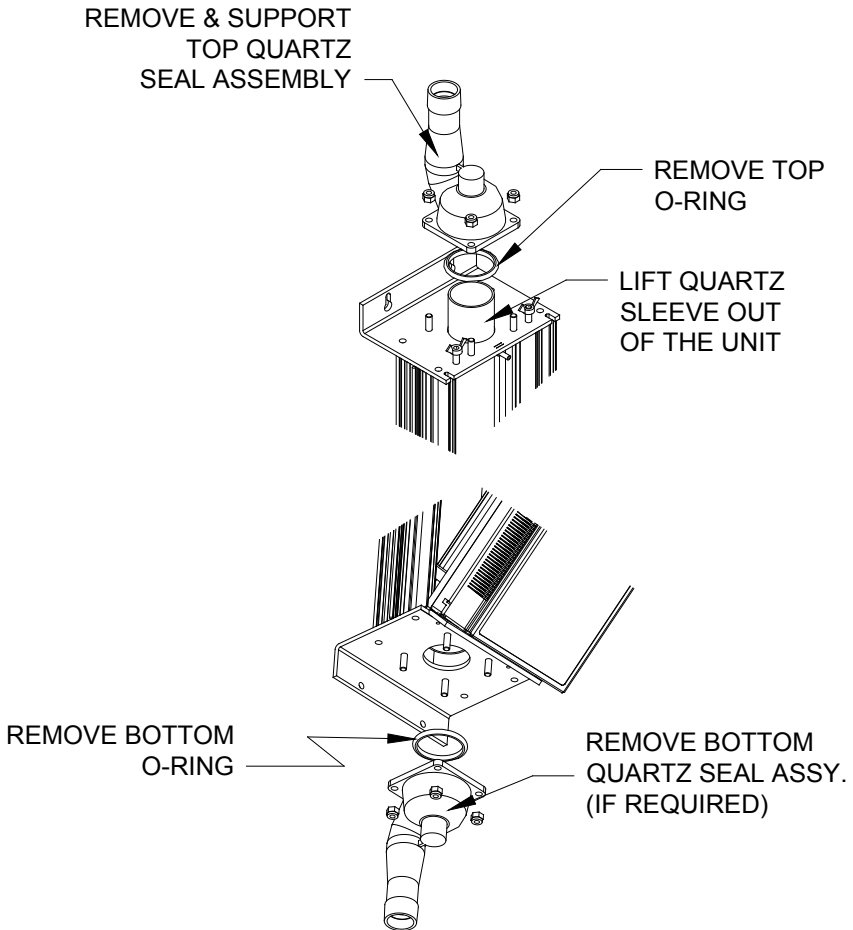
**Caution:** Do not damage the sealing surfaces of the end caps (4). Handle these parts with care to prevent water leaks.

Use an adjustable wrench or 7/16" box wrench or nut driver to remove the four fasteners, securing the top manifold, in an alternating pattern (top left, bottom right, bottom left, then top right). The bottom quartz seal assembly does not



require removal to clean the quartz, so leave it in place. This will support the quartz sleeve during cleaning and simplify the overall process.

**Step 5:** Remove the top quartz seal assembly (Figure 4C) by lifting it straight up.



**Figure 4C**

### Removing and Cleaning the Quartz Sleeve

**Step 1:** Use a bottle cleaning brush with a long handle to scrub the inside of the quartz sleeve. Scrub and flush it with water repeatedly to clean the quartz. Use a squeeze bottle to apply water or cleaning solution to the quartz sleeve to keep the area tidy. **Note: Keep the rest of the system free from moisture.** When cleaning is finished, re-examine the quartz sleeve.

**Step 2:** If the quartz sleeve is still dirty, use a scale remover such as CLR or Lime Away and apply it to the inside of the quartz sleeve. Citric Acid, available at most drug stores, may also be effective. **Always flush with clean water after cleaning.**

**Step 3:** Once the quartz is clean, reassemble the system (see Figure 4C). During reassembly, replace any seals that appear to have been damaged.

**Step 4:** If the quartz is still not clean, it should be replaced. This is done by removing the bottom quartz seal assembly (see Figure 4C).

**Step 5:** Remove the bottom quartz seal assembly by removing the four fasteners holding the bottom manifold on, in an alternating pattern (top left, bottom right, bottom left, then top right). Support the quartz sleeve as you remove this manifold.

**Step 6:** Remove the quartz sleeve by removing the top and bottom O-rings. Lift the quartz sleeve out of the system.

**Step 7:** Install the new quartz sleeve into the system and center it vertically. **Be careful not to chip the ends of the quartz sleeve.** You may open the front of the system to help align the quartz sleeve if necessary. Support the quartz for the next two steps.

**Step 8:** Replace the top and bottom O-rings, keeping the quartz centered vertically in the unit.

**Step 9:** Replace the bottom quartz seal assembly (see Figure 4D) by installing the four fasteners in an alternating pattern (top left, bottom right, bottom left, then top right). Ensure that the manifold connection port is at the backside of the unit.

## Reassembling the Unit

**Step 1:** Ensure the quartz O-ring seal is in place around the quartz sleeve and then replace the top quartz seal assembly.

**Step 2:** Tighten the fasteners in an alternating pattern.

**Step 3:** Reconnect the pipes, both top and bottom. Close and fasten the front panel.

**Step 4:** Close any faucets and open the water supply. Inspect for leaks. Repair any leaks if necessary. **Caution:** Do not operate the system if there are any leaks at the piping connections or within the UV system.

**Step 5:** Replace the lamps.

**Step 6:** Reinstall the top and bottom covers.

**Step 7:** Plug in the KUV 1200.

## **Replacement Parts**

See items in Figure 4B.

**Use only genuine replacement parts when servicing your UV unit.**

Replacement parts and service are available from your Kinetico dealer.

**A complete list of Kinetico dealers is available on Kinetico's website:  
[www.kinetico.com](http://www.kinetico.com).**



## 7. Limited Warranty

Limited Warranty for Kinetico UV water purification systems and peripheral parts purchased in Canada, the United States, Australia and New Zealand.

### What This Warranty Covers:

Defects in materials and workmanship in Products and Parts manufactured, sold or certified by Kinetico Incorporated including KUV 1200 systems and parts such as replacement UV lamps, solenoid valves and other components sold or certified by Kinetico Incorporated.

### What the Period Of Coverage Is:

Five-year Limited Warranty for structural, hardware and mechanical components. Specifically, this includes the following Parts: system casing (powder coated steel parts, machined and extruded aluminum parts, stainless steel parts and ABS components), stainless steel manifolds and mechanical fasteners.

Three-year Limited Warranty for electrical components and quartz sleeve. Specifically, this includes the following Parts: ballast, wiring harnesses, lamp sockets and reflectors.

One-year Limited Warranty, on a pro-rated basis, for UV lamps.

- If the Lamp fails within 90 days it will be replaced or repaired at no charge.
- If the Lamp fails after 90 days and before 181 days, it will be replaced or repaired at one-quarter of the then current Manufacturer's Suggested Retail Price (MSRP).
- If the Lamp fails after 180 days and before 271 days, it will be replaced or repaired at one-half of the then current MSRP.
- If the Lamp fails after 270 days and before 365 days, it will be replaced or repaired at three-quarters of the then current MSRP.

Ninety-day Limited Warranty or Balance of Original Warranty for replacement Parts or Products. Specifically this includes any Parts or Products replaced or repaired under this Limited Warranty, and any Parts purchased for routine service or maintenance including UV lamps. This warranty period is for the balance of the original warranty or for 90 days from the date the Product or Part is repaired and/or returned to the first end-user, whichever is longer.

### Who Is Covered:

This Limited Warranty begins from the date of original system installation and extends to you only if you are the FIRST END-USER PURCHASER with respect to the ORIGINAL INSTALLATION.

### What We Will Do To Correct Problems Covered By This Limited Warranty:

During the warranty period, as set out previously, Kinetico will repair or replace Products or Parts at its sole discretion and cost, with the exception of shipping and handling charges. Replacement parts or systems may be functionally equivalent reconditioned/refurbished/pre-owned or new products or parts at Kinetico's sole discretion. Kinetico may provide software updates, at its discretion, but is under no obligation to do so. Based on an agreement between Kinetico and its service providers, Kinetico dealers, this warranty will be honored by either Kinetico or a Kinetico dealer.

**How To Get Help:**

Call your local Kinetico dealer. A complete list of Kinetico dealers is available on Kinetico's website: [kinetico.com](http://kinetico.com). Make sure you have available the model number, serial number and date of installation.

**What This Limited Warranty Does NOT Cover:**

Maintain your original PROOF OF PURCHASE. Kinetico or its Kinetico dealers reserve the right to deny warranty coverage if you cannot provide proof of original purchase including date of installation, who you purchased the Product or Part from and serial number.

Kinetico is not responsible for Parts or Products that are improperly installed, used or not maintained as set out in the Product Manual or as expressly advised by Kinetico. This Limited Warranty does not cover damage caused by accidents, acts of God, minor scratches or imperfections and normal wear and tear including faded paint or minor corrosion due to atmosphere conditions. This Limited Warranty is void if the Product is improperly installed, used in conditions that exceed Kinetico's specifications as set out in the Manual or Product Specifications, or if there is water damage due to improper installation or poorly or improperly tightened plumbing connections. This Limited Warranty is void if the Product or Parts have been altered or modified in any way by anyone other than a Kinetico technician or a Kinetico dealer. Warranty coverage may be void if the Product is operated in combination with ancillary or peripheral equipment not approved by Kinetico for use with the Product.

Installation of a Transient Voltage Surge Suppressor (TVSS)/Surge Protective Device (SPD) that has been certified to the UL 1449 standard or equivalent by an NRTL/C that includes integral Over/Under Voltage shutoff protection between the system and a grounded power outlet, is recommended.

This Limited Warranty excludes the cost of labor in removing and/or reinstalling any defective Product or Part. In the event that a Product is returned to Kinetico for repair or replacement under the terms of this Limited Warranty, the Product must be returned in its original shipping container and packaging. Kinetico will not be liable for damage to the Product during shipping otherwise.

**Kinetico does not assume any liability for personal injury or property damage caused by the use or misuse of any Product or Part. Kinetico is not liable for special, incidental, indirect or consequential damages.**

**Kinetico's liability is limited to repair or replacement of the defective Part or Product and this liability shall terminate upon expiration of the applicable warranty period as set out above.**

THERE IS NO OTHER EXPRESS WARRANTY. IMPLIED WARRANTIES, INCLUDING ANY WARRANTY OF MERCHANTABILITY OR FITNESS FOR A PARTICULAR PURPOSE, ARE LIMITED TO THE DURATION OF THIS WRITTEN WARRANTY AND ARE EXCLUDED TO THE EXTENT PERMITTED BY LAW. THERE ARE NO WARRANTIES OTHER THAN THOSE CONTAINED HEREIN. IN NO EVENT SHALL KINETICO BE LIABLE FOR INDIRECT, SPECIAL OR CONSEQUENTIAL DAMAGES IN CONNECTION WITH THE USE OR THE LOSS OF USE OF THIS SYSTEM.

This Limited Warranty may be amended or changed at any time, at Kinetico's sole discretion, without notice.

### **Registration and Service**

To place your system under warranty, your authorized Kinetico dealer must register your equipment with Kinetico Incorporated within 30 days of the installation date. For service under this warranty, contact your authorized Kinetico dealer. Retain your receipt along with this warranty for reference if service is necessary.







**Kinetico Incorporated ©2009**  
Corporate Headquarters  
10845 Kinsman Road  
Newbury, Ohio 44065  
Product No. 13748