

INSTALLATION INSTRUCTIONS



DXV Modulus™ Wall Hung Dual Flush Toilet with Seat Model D23040A Series

CLICK ANYWHERE on THIS PAGE to RETURN to BACK FLUSH & WALL MOUNT TOILETS at InspectApedia.com

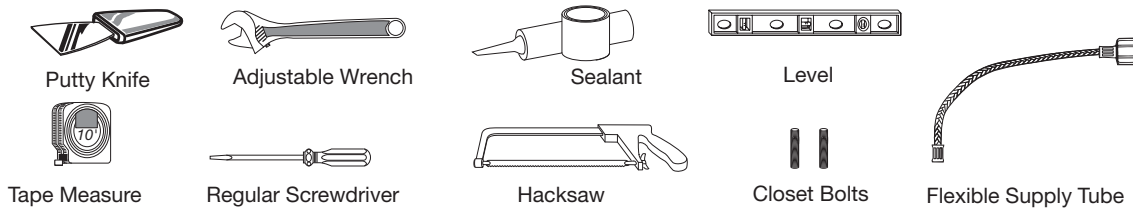
Thank you for selecting DXV. To ensure this product is installed properly, please read these instructions carefully before you begin. (Certain installations may require professional help.) Also be sure your installation conforms to local codes.

⚠ CAUTION: PRODUCT IS FRAGILE. TO AVOID BREAKAGE AND POSSIBLE INJURY HANDLE WITH CARE!
NOTE: Pictures may not exactly define contour of china and components.

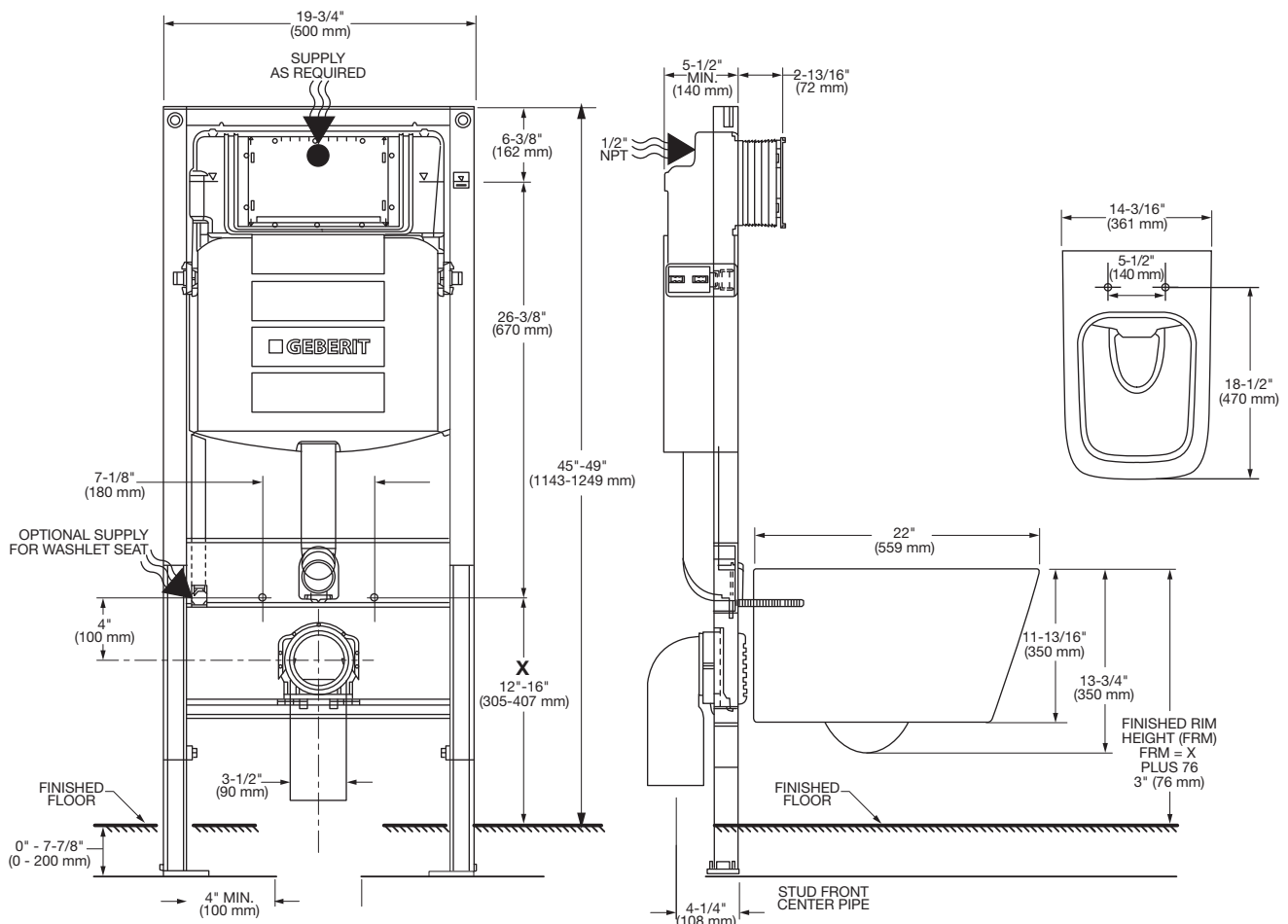
ALL INSTALLATION PROCEDURES MUST COMPLY IN STRICT ACCORDANCE WITH APPLICABLE LOCAL PLUMBING AND BUILDING CODES.

RECOMMENDED TOOLS AND MATERIALS

Most of the procedures require the use of common tools and materials, which are available from hardware and plumbing supply stores. It is essential that the tools and materials be on hand before work is begun.

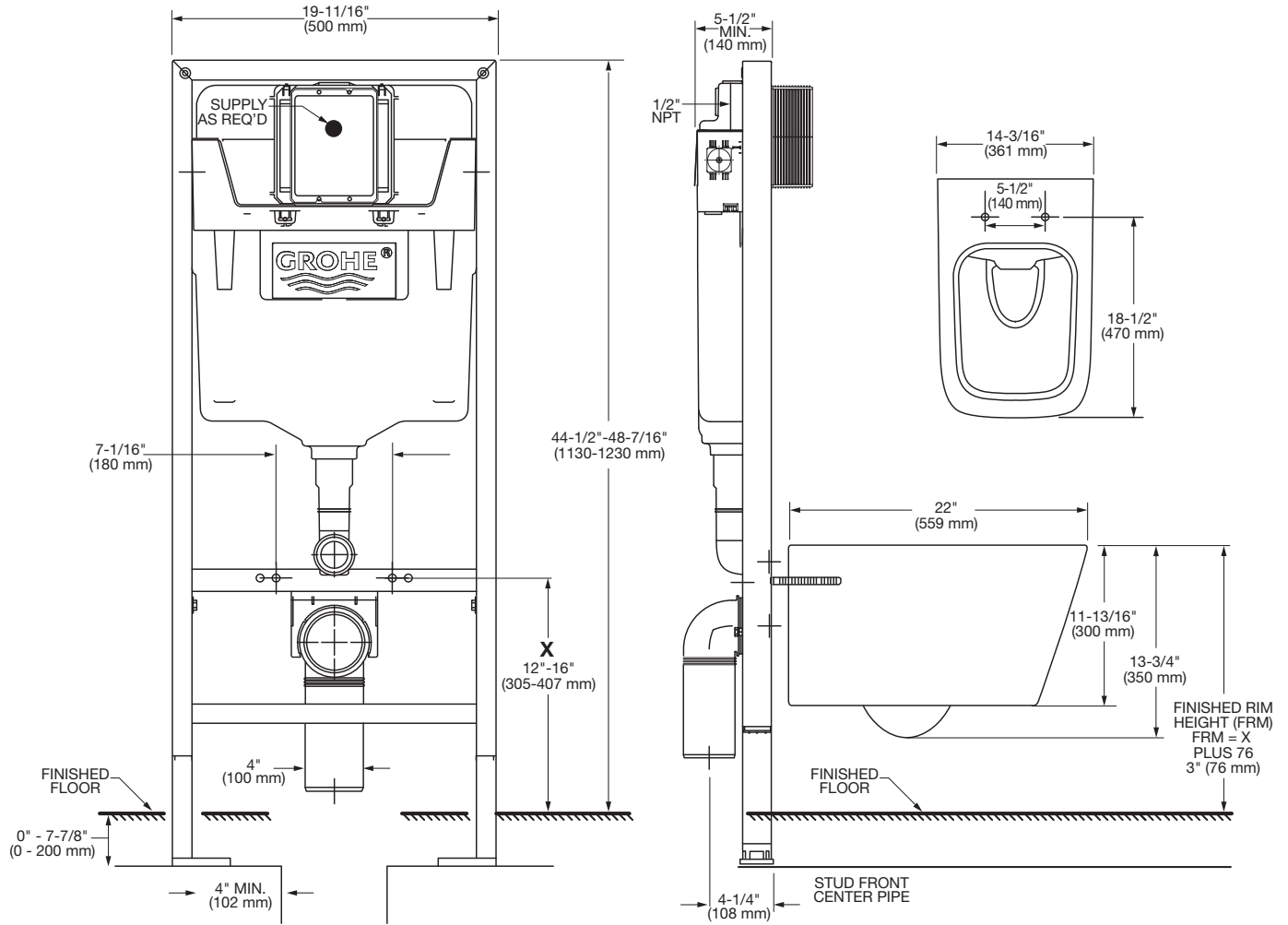


1a ROUGHING-IN DIMENSIONS: for GEBERIT FRAME

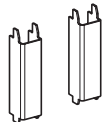


SAVE FOR FUTURE USE

1b ROUGHING-IN DIMENSIONS: for GROHE FRAME



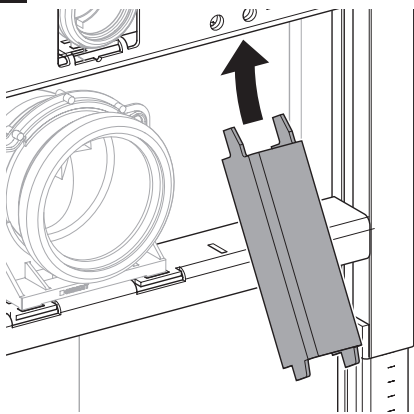
2



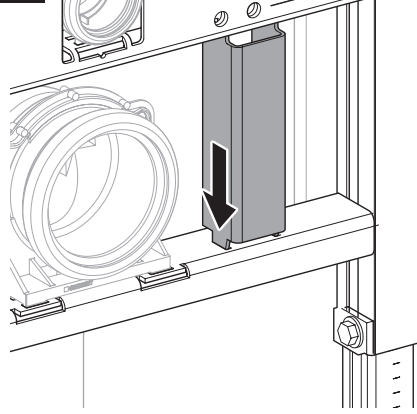
These 2 brackets must be installed during tank frame installation. The brackets are delivered with the tank frame.

NOTE: If using GROHE carrier, skip steps 2 to 5.

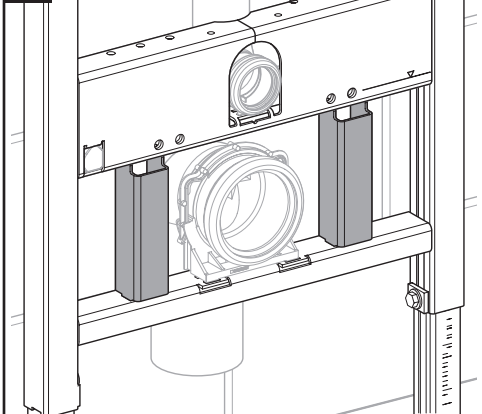
3



4

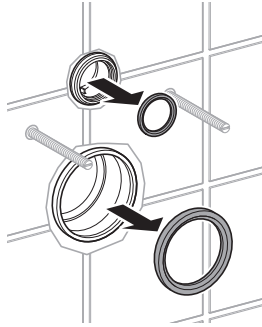


5



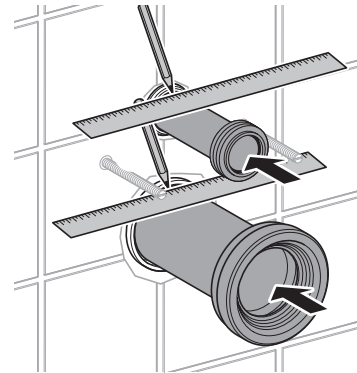
6 BOWL INSTALLATION:

Remove yellow protection plugs and seals from pipes.



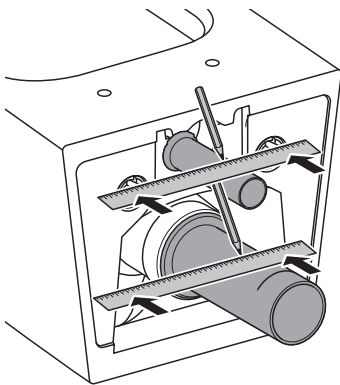
6a

Insert discharge pipe into the pipe hub in the wall. Place a straight edge flush against the wall and mark a line on the pipe. Fit finned rubber seal onto flush pipe. Repeat same procedure for discharge pipe.



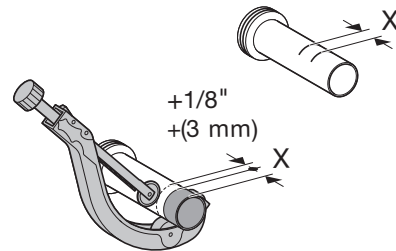
6b

Place discharge pipe with gasket into waste outlet of bowl. Also place flush pipe with fin gasket into inlet of bowl. Then mark a second line on both pipes.



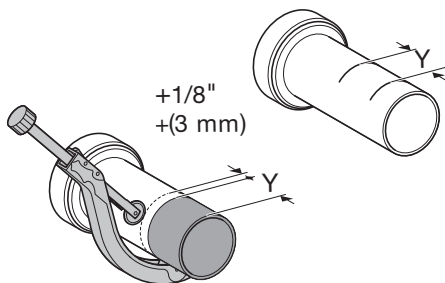
6c

Add dimension X and 1/8" (3 mm). Using that dimension, mark a line on the pipe measuring from the hub side. Cut off the pipe at the line with a pipe cutter.



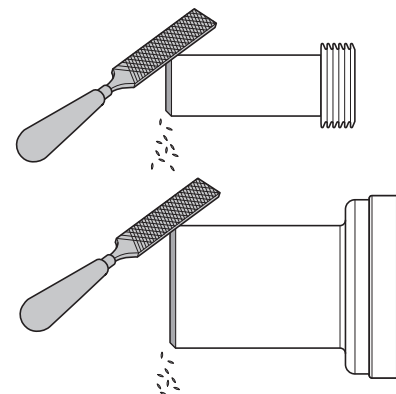
6d

Add dimension Y and 1/8" (3 mm). Using that dimension, mark a line on the pipe measuring from the hub side. Cut off the pipe at the line with a pipe cutter.



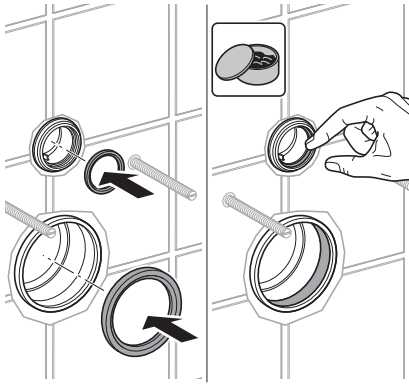
6e

Bevel the sharp edges as shown to assure a smooth insertion into the pipe hubs in the wall.



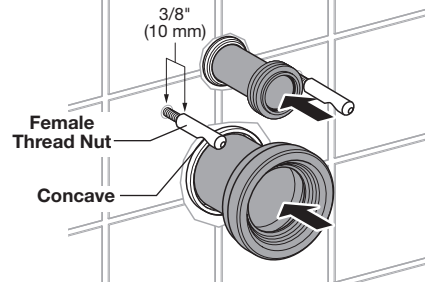
6f

Install both seals into the pipes in the wall. Lubricate seals with appropriate rubber seal lubricant.



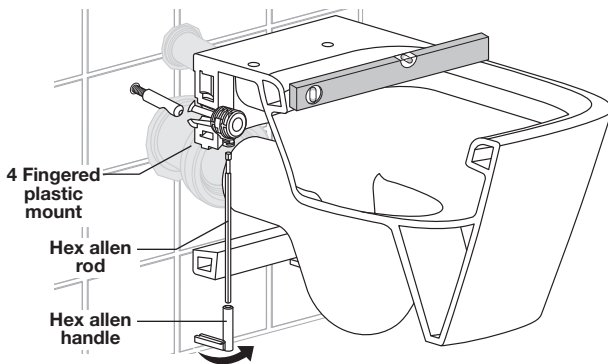
6g

Remove protective sleeves from threaded mounting rods. Install rods with a protruding length of 1-3/8" (35 mm) from the finished wall. Then install the threaded nuts leaving approximately 3/8" (10 mm) of the threaded rod exposed. Also insure the concave portion of the nut is facing down! Install both pipes into the hubs in the wall.



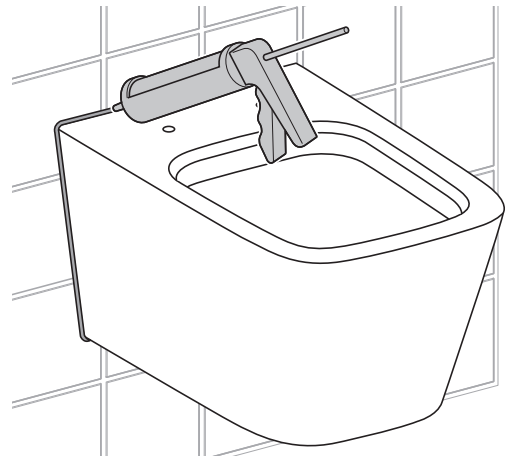
6h

Ensure each of the pre-installed 4 fingered plastic mounts are securely mounted into each mounting hole of the toilet. Place bowl onto female threaded nuts and carefully insert bowl so the threaded female nuts go into the plastic finger housings mounted in the toilet. Once toilet is fully mounted into the female threaded nuts, turn the hex allen rod inserted into the plastic housing clockwise to tighten toilet into finished wall.



6i

Seal gap around bowl with waterproof sealant.



COMPONENT NUMBER	DESCRIPTION
D23040A000.415	With seat
5026A.10G.415	Seat
D29000000.000	Geberit In wall carrier
D28030000.415	Geberit square button dual flush plate
D29054026.000	Grohe In wall carrier
D28015000.415	Grohe dual flush plate
(for carrier repair parts please check carrier installation instructions)	

In the United States:

DXV
One Centennial Avenue
Piscataway, New Jersey 08855
Attention: Director of Customer Care

For residents of the United States, warranty information may also be obtained by calling the following toll free number: (800) 227-2734
www.DXV.com

In Canada:

DXV
5900 Avebury Road
Mississauga, Ontario
L5R 3M3
Canada

Toll Free: 1-800-387-0369
Local: 905-306-1093
Fax: 1-800-395-1498
www.DXV.ca

In Mexico:

DXV
Via Morelos 330
Col. Santa Clara Coatitla
Ecatepec, Estado de México 55540

Toll Free: 01-800-8391200
www.DXV.mx