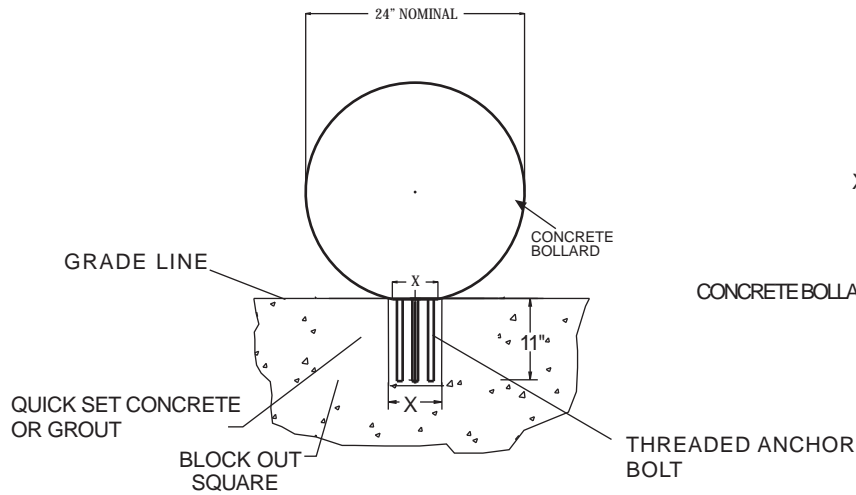


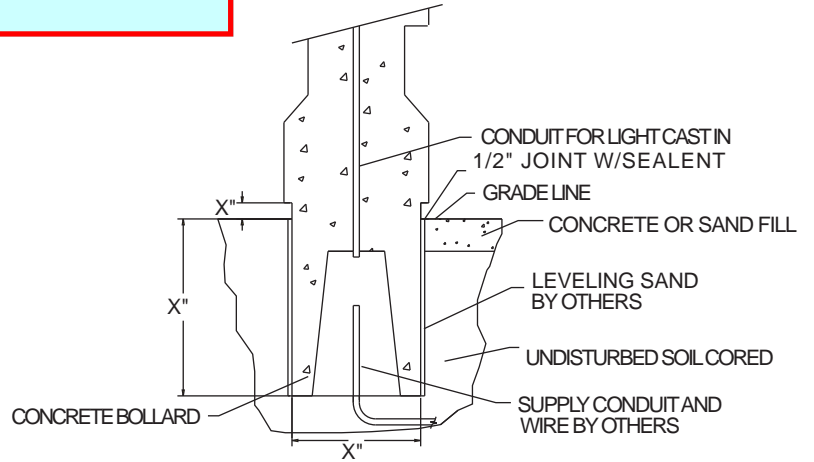
CLICK ANYWHERE ON THIS PAGE TO RETURN TO PROTECTION BOLLARDS INFORMATION at InspectApedia.com

SPHERE BOLLARD ANCHOR
12" - 18" - 24" - 30" - 36"

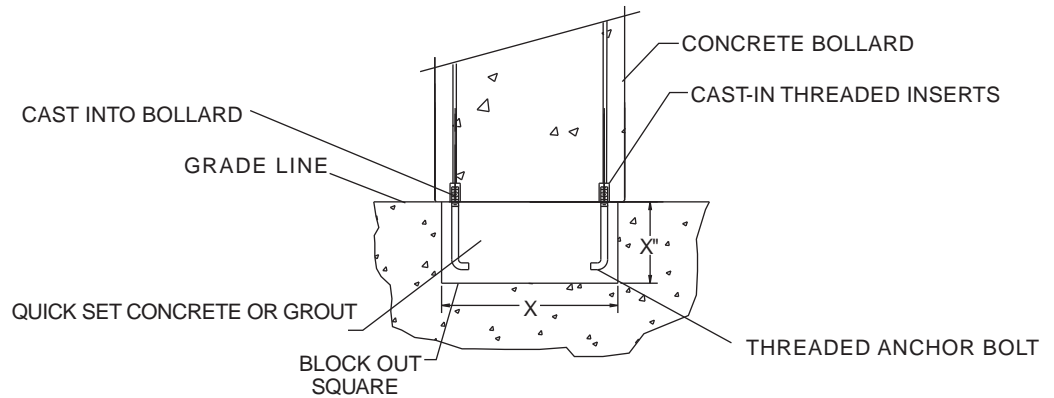


X = BLOCKOUT DIMENSION SHOULD BE 1/2" LESS THAN THE OUTSIDE OF THE SURFACE AREA TOUCHING THE GROUND.

ANCHOR STYLE C



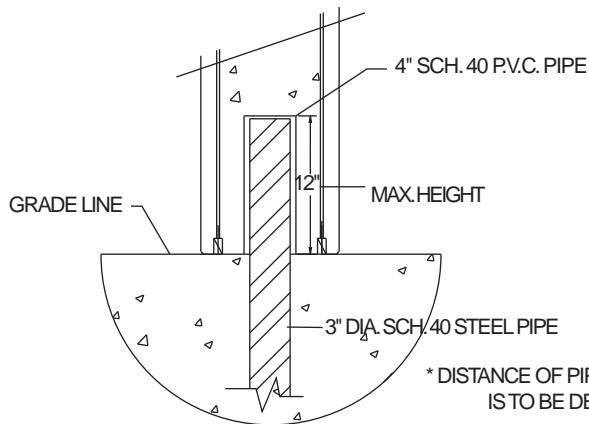
ANCHOR STYLE A



NOTE: THIS TYPE ANCHORING IS NOT USED AS BARRICADE. IF USING BOLLARD WITH LIGHT, RUN CONDUIT THROUGH CENTER OF BOLT PATTERN AND STUB OUT.

X = BLOCKOUT DIMENSION SHOULD BE 1/2" LESS THAN THE OUTSIDE OF THE BOLLARD.

ANCHOR STYLE B



* DISTANCE OF PIPE BELOW AND ABOVE GRADE IS TO BE DETERMINED BY OTHERS

NOTE: THIS TYPE ANCHORING IS ALSO USED AS A BARRICADE. BOLLARD HELD IN PLACE BY STEEL PIPE STEEL PIPE MUST BE ANCHORED IN CONCRETE FOOTING

TYP. 12" DIA. CONCRETE BOLLARD SAME ANCHORING SYSTEM USED ON 14" AND 18" DIA. OR SQ. BOLLARDS



PO Box 1520
Wausau, WI 54402-1520
800-388-8728
Fax 715-355-4627
www.wausautile.com