



Clean Water Made Easy

[www.cleanwaterstore.com](http://www.cleanwaterstore.com)

## Pro-Ox 5900-BT-AIR Calcite Blend Installation & Operations Guide

Thank you for purchasing a Clean Water System! With proper installation and a little routine maintenance your system will be providing iron free water for many years.

**Please review this start-up guide entirely before beginning to install your system and follow the steps outlined for best results.**

The Pro-OX 5900-BT-AIR Iron Filter must be activated with a 1 cup of un-scented liquid chlorine bleach when first installing it. Read instructions for more information. It is easy to do, but a critical step.

The Pro-OX media contains dust. Use paper mask and ventilate area to avoid breathing dust when first pouring the media into the tank.

**Minimum 30 PSI required. Maximum pressure 90 PSI.  
For indoor installation. Protect from sunlight, rain, and freezing.**

### Watch These How-to Videos:

<https://youtu.be/05mJy573Y6E>

For assistance call: 1-831-462-8500 M-F 8AM to 4PM PST

Email us: [office@cleanwaterstore.com](mailto:office@cleanwaterstore.com)

More information online: [www.cleanwaterstore.com](http://www.cleanwaterstore.com)



## Table of Contents:

Packing Lists .....	3
How Your Pro Ox 5900-BT-AIR Blend Works .....	4
Note About Aeration.....	4
System Install Steps Overview .....	5
Pre-Installation.....	5
Best Practices for Piping & Drain Installation .....	6
Fig 2. Diagram of a Typical Installation .....	7
Add Filter Media and Install 5900-BT Backwash Valve on Tank .....	8
Attach the Bypass .....	10
Electrical Connections.....	10
Install 9V Battery (not included) .....	10
Piping Installation .....	11
Program Your Valve: Main Menu .....	12
Program Your Valve: Master Programming Mode .....	13
See Historical Data and Real Time Flow Rate .....	14
Detailed Steps to Starting Up Your Pro-OX 5900-BT-AIR System .....	14
Using the Optional Chlorine Side Tank System.....	17
Installing and Using the Optional Blue Tooth Legacy View App.....	18
How to Start A Manual Backwash.....	22
Pro-OX Air Blend 5900-BT Maintenance.....	22
How to Remove Media Accidentally Stuck in Control Head.....	23
Troubleshooting Chart .....	24
Error Codes .....	25
Pressure Loss from Inadequate Backwash Flow Rate.....	25
Problems with Pressure Loss or Reduced Flow .....	26
Service Instructions – Perform Before Doing Any Service .....	26
How to Replace Powerhead.....	27
How to Replace Piston Assembly.....	27
How to Replace Seals and Spacers.....	28
How to Replace Meter .....	28
How to Replace the Pro-OX Filter Media .....	29
Valve Body Assembly S900-BT .....	30
Valve Body Assembly S900-BT Parts List .....	32
Control Valve Assembly 5900-BT & Parts List.....	33
Limited Warranty .....	34

---

# Pro Ox 5900-BT-AIR Blend Installation & Startup Guide

---

## Packing Lists

### **Pro-Ox 5900-BT-AIR 1054**

Pro-Ox 5900-BT-AIR control valve w/ bypass assembly with 1" pipe connectors  
10" x 54" standard filter tank with distributor tube and bottom basket  
Plastic media funnel for adding media  
110 lbs. of Pro-OX media; 50 lbs. of Calcite media; 16 lbs. of filter gravel

### **Pro-Ox 5900-BT-AIR 1252**

Pro-Ox 5900-BT-AIR control valve w/ bypass assembly with 1" pipe connectors  
12" x 52" standard filter tank with distributor tube and bottom basket  
Plastic media funnel for adding media  
165 lbs. of Pro-OX media; 50 lbs. of Calcite media; 20 lbs. of filter gravel

### **What to Do if Your Tank Does Not Sit Level on Floor Out of the Box:**

Your black filter tank base is not glued to the bottom of your tank. Occasionally tank bases will become crooked during shipment.

If you find that that your tank does not sit level on the floor, you can easily adjust it by holding the empty tank and rapping it on a concrete or solid floor once or twice to level it.

---

# Pro Ox 5900-BT-AIR Blend Installation & Startup Guide

---

## How Your Pro Ox 5900-BT-AIR Works

The Pro Ox 5900-BT-AIR, when properly applied, is an efficient and cost effective system for the removal of iron and odor.

The Pro Ox 5900-BT-AIR control valve maintains a compressed “air pocket” in the filter free space top of the tank while system is in service. As the water passes through the air pocket, iron is oxidized. Additionally, dissolved oxygen is added to the water.

Calcite (pure white crushed marble) is periodically added through the top fill plug. As water flows through system, the acid pH of the water is neutralized to a neutral pH.

The Pro Ox filter media bed then removes the iron from the water. The backwash rinse cycle (usually done at night, every 2-4 days) will remove accumulated iron and replenish filter media bed.

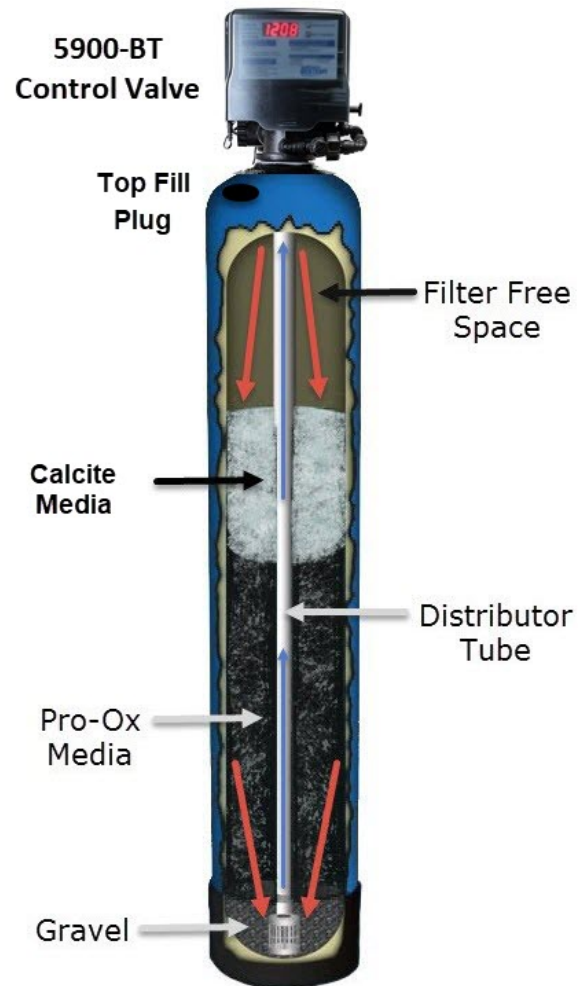
Each night a fresh pocket of air is drawn into system to allow maximum oxidation.

## Note About Aeration

The Pro Ox 5900-BT-AIR utilizes air, oxidation and filtration for the removal of Iron. This process will leave some air or effervescence in the water.

The effervescence may give the water a milky appearance and is simply excess air in the water.

While a certain amount of effervescence may always be present, it will be most noticeable during first 30 days after installation of the system.



## System Install Steps Overview

1. Put gravel in first, then Pro-OX media, then Calcite media. You may have some calcite left over. Add all gravel, all Pro-OX media, and then enough Calcite to fill the tank 2/3<sup>rd</sup>s full. Do not over-fill tank.
2. Add 1 cup of liquid bleach non-scented and allow to soak for at least 1 hour, but up to 24 hours is OK.
3. Make the plumbing connections from your existing system to the bypass assembly, installing extra valves, unions, pressure gauges and hose bibs as needed.
4. Attach the control head to the tank, and to the bypass assembly.
5. Install the Drain Line tubing and external flow control assembly (if using for model 1.5 or 2.0 CF)
6. Plug in the power supply and program the valve.
7. Follow the instructions to put the system online and to verify the system is leak-free.

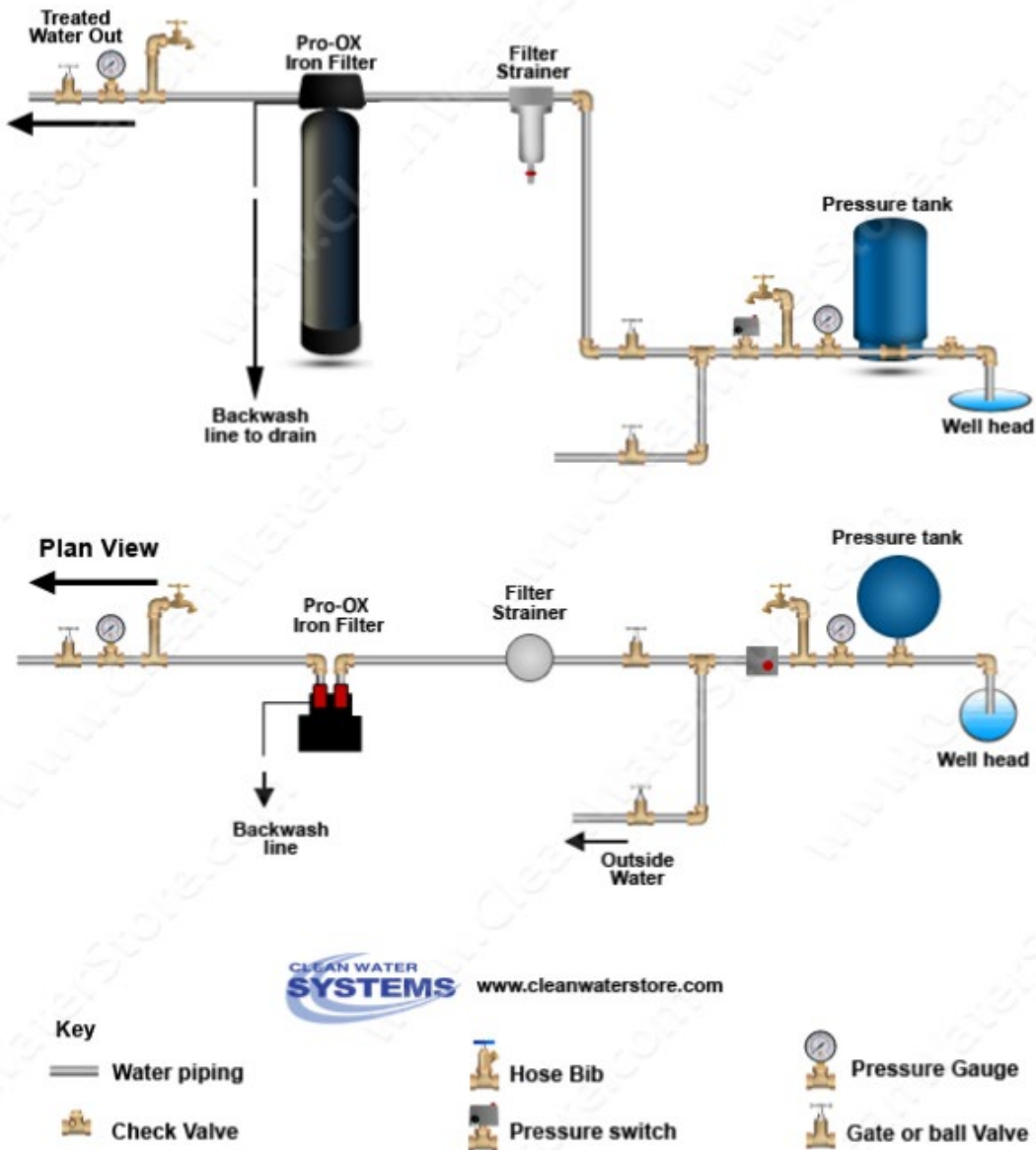
## Pre-Installation

1. Review your packing list to make sure you have received all the parts before installation.
2. If you are going to be turning off the water to the house and you have an electric water heater, shut off the power to the water heater before beginning installation.
3. Pick a suitable location for your filter system on a dry level spot where it won't be exposed to freezing temperatures, direct sunlight, wind or rain.
4. After the system is installed and running, your water may be discolored, or full of sediment or rust, especially if you have older or corroded piping. This typically clears up over a day or two.

### Best Practices for Piping & Drain Installation

1. See typical installation (Fig 2). The Pro-OX-AIR filter is installed after the pressure tank.
2. Install on a level floor or surface.
3. Filter system must be installed at least 10 feet ahead of inlet to water heater to prevent damage due to back-up hot water or use a check valve to prevent hot water back-up.
4. DO NOT install the unit in an area of direct sunlight or expose to freezing.
5. Locate the unit near an unswitched, 120 volt / 60 Hz grounded electrical outlet.
6. Filter system must be installed at least 10 feet ahead of inlet to water heater to prevent damage due to back-up hot water or use a check valve to prevent hot water back-up.
7. DO NOT install the unit in an area of direct sunlight or expose to freezing.
8. Locate the unit near an unswitched, 120 volt / 60 Hz grounded electrical outlet.
9. Make sure to connect the IN pipe to the 5900-BT inlet and the OUT pipe to the outlet.
10. Make sure there is a working gate or ball valve before the 5900-BT Pro-OX Filter and also one after as shown in Fig 2. The pressure gauges are optional. A hose bib (which is a faucet that you can attach a garden hose to) is strongly recommended after the Pro-OX-Air Filter and before the second ball valve, for rinsing and sampling water.
11. If you will be using copper piping, do not sweat the copper pipe directly on to the 5900-BT control valve. Avoid heating up the 5900-BT control valve plastic with the torch.
12. You do not need unions to install your 5900-BT control valve. If you need to remove it, the 5900-BT has quick-release couplings that make it easy to put the filter on by-pass and remove the filter system from the piping.
13. The drain line tubing is connected to a drain from the drain outlet using flexible poly tubing. The drain can run up above the control head and out to a drain, although this may require installing a one way, flapper-style check valve. **Most plumbing codes require an air-gap connection, so that if your sewer or septic tank backs up, it cannot cross connect with the drain tubing (if running tubing into the washing machine drain pipe, for example)**

Fig 2. Diagram of a Typical Installation



## Installation of Your System into Copper or Metal Piping Systems

If your new filter system is to be installed in a metal (conductive) plumbing system, i.e. copper or galvanized steel pipe, the plastic components (bypass and connectors) will interrupt the electrical continuity of the plumbing system.

As a result, any stray currents from improperly grounded appliances downstream or potential galvanic activity in the plumbing system can no longer ground through the contiguous metal plumbing.

Some homes may have been built in accordance with building codes which encouraged the grounding of electrical appliances through the plumbing system.

The installation of a bypass consisting of the same material as the existing plumbing, or a grounded "jumper wire" bridging the equipment and reestablishing the contiguous conductive nature of the plumbing system must be installed prior to your systems use.

This is simple and easy step to take if you are installing your water treatment system into copper piping. A simple ground jumper wire with a pipe clamp can be purchased at any Home Center, or hardware store etc. for a few dollars.

## Add Filter Media and Install 5900-BT Backwash Valve on Tank

1. **Make sure you "test fit" distributor tube, find divot that keeps tube centered, before adding gravel so distributor tube does not extend past top of tank.**
2. There are two styles of funnel that we ship, depending on availability; you get either the blue or black funnel.
3. If blue funnel, cover top of distributor tube with black electrical tape, duct tape or masking tape so no gravel or media will go down distributor tube when adding media.
4. Leave a folded tab of tape so you can easily pull off tape after filling the tank.
5. Hold the tube center until there is enough gravel and media to support the tube. The top of the distributor tube should be level with the top opening of the filter tank.

Make sure top of distributor tube  
is level with top of tank



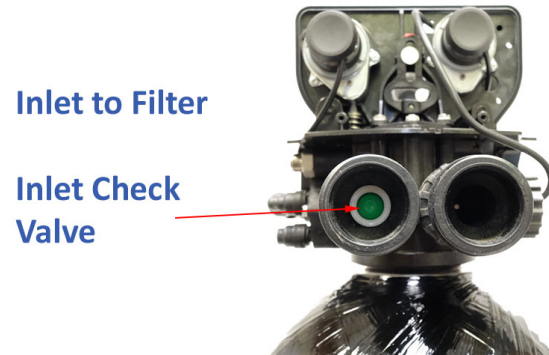


---

## Pro Ox 5900-BT-AIR Blend Installation & Startup Guide

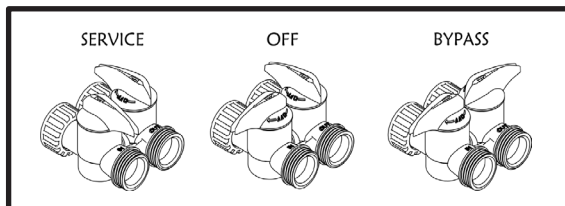
---

6. Add the filter gravel that came with your order. The gravel should cover the bottom distributor screen before adding the Pro-OX filter media.
7. Next, add all the Pro-OX Filter media, then enough Calcite to fill tank 2/3rds full.
8. The tank should be about 2/3 full of media, do not fill much more than 2/3 full, even if there is media left over. You may have some Calcite left over. Calcite needs to be added to tank 1 to 4 times a year. You will be able to see depth of calcite through the natural color filter tank by shining a flashlight behind tank.
9. **Add 1 cup of household bleach down the distributor tube and fill tank completely with water.** Allow to soak for at least 1 hour up to 24 hours before you hook it up to piping.
10. Remove tape from top of distributor tube. **Be careful not to pull up distributor tube.**
11. **Screw on Control Valve:** Add small amount of silicone grease to both O-rings (only O-rings, not tank thread) on bottom of control valve and screw on 5900-BT control valve carefully.
12. **Do not lubricate tank threads or any other fittings other than O-rings. Do not use pipe-joint compound, vegetable oil, Teflon tape, or Vaseline or greases on tank threads.**
13. If you accidentally pull distributor tube up after gravel and media are in tank (upon initial install or any time after, for service, etc.), it must be re-seated. It is usually possible to do this by spraying water down distributor tube with a garden hose while pushing on end of the tube. If this does not work, you must empty tank completely and start over.
14. **Do not hard pipe the drain line with PVC or copper, use flexible tubing.** If you use hard PVC piping for the drain line, **you must be able to remove the hard drain piping and attach flexible tubing for testing purposes.**
15. **Make sure the drain tubing is firmly clamped to the barbed fitting with a hose clamp to prevent leaks or blow-offs.**



## Attach the Bypass

Make sure there is lubricant on all three sets of O-rings and insert and screw bypass onto end connectors (O-rings are already on valve, with the Inlet Air Check Valve on the left, Inlet side).



Screw the Elbow fittings onto the end of the bypass and attach to In and Out service pipe.

**Note:** There is supposed to be some “play” in the whole assembly. No need to over-tighten.

## Electrical Connections

**P = Power – Use this connection**

B = Optional (not used, powered in backwash step only)

S = Optional (not used, powered in regeneration step only)



Connect the power supply to the control valve connection P. This is the connection on the outside of the valve, nearest the side or outer section of the valve. Plug into a wall outlet.

B and S connections are used to power optional external relays, pumps, or solenoid valves (not used for most residential applications).

## Install 9V Battery (not included)

**DO NOT INSTALL BATTERY UNTIL AFTER INITIAL BACKWASH!**

Connect 9V battery to battery cable under control panel. Battery cable and battery will sit under control panel. Control panel can be easily removed to access battery cable if needed, no tools are required.

During power failures the battery will maintain the time of day if the battery has power. The display is turned off to conserve battery power during this time. If a power failure occurs while the system is regenerating, the motor will advance to a shut-off position to prevent constant flow to drain.

---

# Pro Ox 5900-BT-AIR Blend Installation & Startup Guide

---

## Piping Installation

1. Using Teflon tape on pipe threads, make sure to connect the IN pipe to inlet and OUT pipe to the outlet. As you face the 5900-BT control from the front, the water enters on the right and exits on the left. From the back the water enters on the left.



2. The inlet and outlet are attached to the bypass valve, which is marked with arrows as well.
3. Make sure there is a hose bib installed after the system, and a working gate or ball valve before filter system and also one after as shown in Fig 2. The pressure gauges are optional but **a hose bib is strongly recommended after the Pro Ox 5900-BT and before the second ball valve**. This makes it easy to rinse your new system on start-up and gives you a place to test water before it enters your house plumbing.



4. If you will be using copper piping, do not sweat the copper pipe directly on to the 5900-BT control valve. Avoid heating up the control valve with the torch, as the plastic will melt.
5. You do not need unions to install your 5900-BT control valve. If you need to remove it, the 5900-BT control valve has quick-release couplings that make it easy to put the 5900-BT on by-pass and remove the filter system from the piping.

6. The drain line tubing is connected to a drain from drain outlet using flexible tubing. Note that drain line can run up above the 5900-BT control and into a drain.

7. Most plumbing codes require an air-gap connection for the drain line tubing, so that if your sewer or septic tank backs up, it cannot connect with the drain tubing.



---

# Pro Ox 5900-BT-AIR Blend Installation & Startup Guide

---

## External Drain Line Flow Control (“DLFC”)

If you bought a 1.5 or 2.0 cubic foot Pro-OX 5900-BT Filter you will get an external Drain Line Flow control with your order. This is made up of three pieces: a 1” x ¾” Adapter, the DLFC, and two hose barb fittings.



Assemble the 3 parts using Teflon tape, making sure the flow arrow is facing the right direction. This can go anywhere in the drain line run, even at the end. Clamp it to a wall.

## Program Your Valve: Main Menu

1. Enter main menu, by pressing the Menu/Enter button (Time of day will flash)
2. Set time of day by pressing the Set/Change button (First digit will begin to flash)
3. While scrolling through numbers, it increases value.
4. To decrease the value, you will have to “go all the way around” to a lower value.
5. To change digit value, press the Set/Change button
6. To accept the digit, press the Menu/Enter button
7. With all digits flashing press the Menu Button to set A.M. or P.M.
8. Once A.M./P.M. is accepted the next menu item will flash
9. To Set Regeneration Frequency Press the Set/Change Button
10. The recommended initial setting for a Pro-OX 5900-BT-AIR filter is every 3 to 4 days
11. To Set the Number of Days between **Air-Draw Cycles**, Press the Set/Change Button
12. Set to 1 day, to regenerate the system with new air daily (recommended).



13. During this process, the valve will use a little bit of water to create suction to regenerate the air and will make some noise during this cycle. However, the valve will still backwash only on the days that you have programmed it to.
14. To exit menu, press the Menu/Enter button

### Program Your Valve: Master Programming Mode

#### 1. Regeneration Time (r)

Press the Menu/Enter Button. To enter Master Programming Mode press and hold both buttons for 5 seconds. "Regeneration" refers to the backwash/air-draw/rinse cycles.

The next display viewed is the option setting for Regeneration Time. It is identified by the letter 'r' in the left digit. Set the desired time of day that a regeneration may occur, when required.

**We recommend setting system to backwash at 2 AM**, or when water will not be used in home.

If you have 2 or more filters, make sure they are programmed to start an hour apart.

The first digit(s) indicates the Hour and the other digit indicates A.M. or P.M.

Example: 12 A.M. regeneration time - [ r 12A] (factory setting)

#### 2. Regeneration Cycle Step Programming

The next 4 displays viewed are part of series of settings used to program Regeneration Cycle.

Step 1, the air release, is not programmable, and will not be displayed for programming.

Each display is used to set the duration time in minutes for that specific step in a regeneration cycle. A step # will turn on for the regeneration cycle step being programmed.

Regeneration steps are *skipped* by setting the display to 0 as shown below:

Set each step according to the values below, appropriate for Pro-OX 5900-BT-AIR filter:

- 1 6 minutes. Not Programmable. This is the Air Release cycle. **[ Not Displayed]**

---

## Pro Ox 5900-BT-AIR Blend Installation & Startup Guide

---

- 2 10 minutes. This is the Backwash cycle. [ 2 - 10]
- 3 5 minutes. This is a rest cycle. [ 3 - 05]
- 4 12 minutes. This is the air-draw cycle. [ 4 - 12]
- 5 6 minutes. This is the Rapid Rinse cycle [ 5 – 06]

**Chlorine Draw Feature:** After Cycle Step five above, when you press the menu/enter button, the display will show J-02. Change the 02 to 00 if you do not plan to use Chlorine Draw Feature.

Next will be “bE 1”. If you are using the Legacy View App, the 01 means that it is ready for that.

Press the menu/enter button again, the display shows: bTPP and then changes to 1234.

Press the menu/enter button, and now you are back to the home service screen (displaying the clock time and the number of days until backwash). bE is for Bluetooth enabled.

### See Historical Data and Real Time Flow Rate

Pressing and holding the Menu/Enter button will also access some options:

**Flo-** This is the flow rate, if water is running, it will display the volume, in gallons per minute.

**Gt r-** This the total # of gallons that has gone through the filter.

**g tot-** This is the same as the previous.

**rC r-** Number of regeneration done. **rC-** the same.

**gPdL-** Shows how many gallons used each day.

**Gbrl-** This is the gallons used between regenerations.

**PfDL-** This shows the peak, or highest flow rate that has passed through filter in last 24 hours.

**If you “get stuck”, keep pressing the Menu/Enter button until you return to service screen.**

### Detailed Steps to Starting Up Your Pro-OX 5900-BT-AIR System

1. Dry new Pro-OX filter media has a lot of black fines or dust in it, and must be rinsed free by backwashing and rinse, which may take several backwashes.
2. MAKE SURE THE SOURCE WATER ENTERS THE INLET PIPING (IN OTHER WORDS, THAT THE SYSTEM IS PIPED IN CORRECTLY, WITH WATER INLET TO THE INLET ON THE BYPASS VALVE)
3. MAKE SURE THAT BOTH THE INLET AND OUTLET BYPASS VALVES ARE CLOSED INITIALLY

---

## *Pro Ox 5900-BT-AIR Blend Installation & Startup Guide*

---

4. MAKE SURE TO CLOSE THE BALL VALVE OR GATE VALVE AFTER THE FILTER SO NO WATER CAN ENTER THE HOME DURING THIS INITIAL BACKWASH. (If you did not install a hose bib and gate or ball valve after the system as recommended, be sure to NOT use any water in the home during the initial start-up.)
5. If you have any filters or softeners installed after the filter system, bypass them until all media fines have been rinsed.
6. First, if days remaining is not already at 1, press and hold the Set/Change button.
7. Next press and hold the **Set/Change button**, until the valve begins the backwash cycle and the display reads 1 [1- 10]. This is the first cycle that starts a backwash.
8. Start to put the valve into the service position by turning the inlet bypass knob counter-clockwise a little, slowly, until you can hear water passing through the bypass into the filter. Stop and wait until you see water coming out of the drain line. It will often be mixed with air bubbles.
9. When you do not see bubbles anymore, keep opening the valve, a little bit at a time, stopping for a minute or two each time. You want to see a corresponding increase in flow out of the drain line as you increase the flow of water into the filter.
10. After several minutes, you should have the valve fully open, and with no media coming out. The water will be black, turning to gray, mostly clear water- the water does not get crystal clear in the Backwash mode (only at the end of Rapid Rinse and during Service).
11. After the backwash cycle, the filter will go into a rest for 5 minutes. After 5 minutes the next cycle, the Rinse cycle will start.
12. NOTE: To skip to the next cycle or fast forward past Rest or other cycles, hold down Set/Change button for 3 seconds.
13. Let the unit do the Rapid Rinse cycle and advance to the "Service" position.
14. Press and hold the **Set/Change button**, until the valve begins the backwash cycle and the display reads 1 [1- 10] and start up another backwash, rest, rinse sequence. You may need to repeat this process 2 to 4 times to thoroughly clean up the filter media.

15. Next, open the outlet on the bypass valve and then open the hose bib after the system and allow the water to run until it is clear. Run water in the home using a bathtub, laundry sink, or other fixture that does not have an aerator screen as any remaining residue may get caught in the screen. Run the water in the home for 5 to 10 minutes to flush pipes.

**Congratulations, you are done starting up your filter system!**



---

# Pro Ox 5900-BT-AIR Blend Installation & Startup Guide

---

## Using the Optional Chlorine Side Tank System

The chlorine side tank feature allows bleach to be drawn during Air Draw cycle. In the Legacy View App this is referred to as “Pulse Chlorine Setting”

Chlorine has a very good effect on the Pro-OX media, cleaning and restoring the Pro-OX. This helps eliminate slime and rust build-up inside the filter and keeps seals and spacers cleaner.

No chlorine will be added into water that enters the home. The chlorine is being used only during the backwash-air-draw-rinse cycles.

NOTE: Chlorine works a little better than peroxide but if desired the Pro-OX-BT-AIR can use hydrogen peroxide in place of chlorine bleach.

**Never mix peroxide and bleach together!**

1. See “Regeneration Cycle Step Programming” Page 14 and make sure J-02 is active. This means that the brine valve is activated and will draw in approximately 12 ounces of chlorine bleach during the Air Draw cycle.
2. Chlorine is only drawn in when the system goes through a “regeneration” or backwash-rinse cycle not on Air-Only nights.
3. Remove plug on side of 5900-BT valve and attach the 3/8” black tubing in side tank to the control valve.
4. Attach other end of tubing to the chlorine side tank.
5. Add 3 Gallons of Distilled or bottled water & 1 gallon 5% to 7% non-scented household bleach.
6. Next time Air Charger Pro-OX Filter does a regeneration chlorine will be drawn in during Air Draw Cycle.
7. Check side tank every 1 -2 months and add additional chlorine and distilled water as needed.



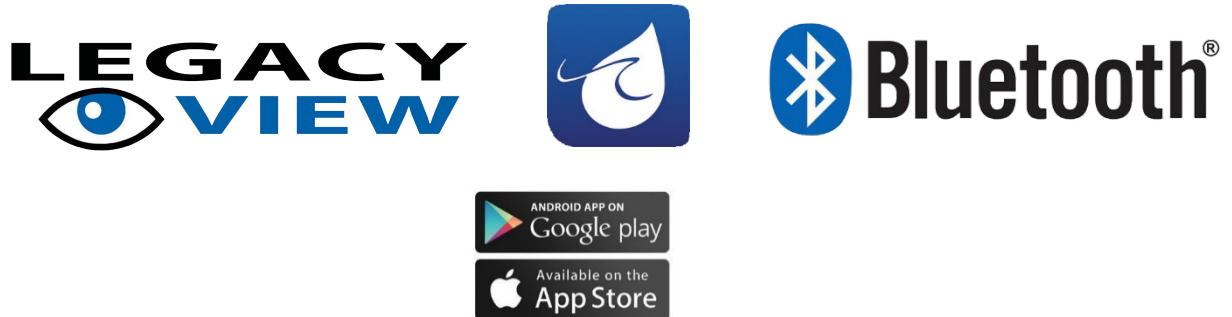
Remove Plug on Side of 5900-BT Air Control Valve



Attach 3/8” Tubing from Side Tank to 5900-BT Control Valve



## Installing and Using the Optional Blue Tooth Legacy View App

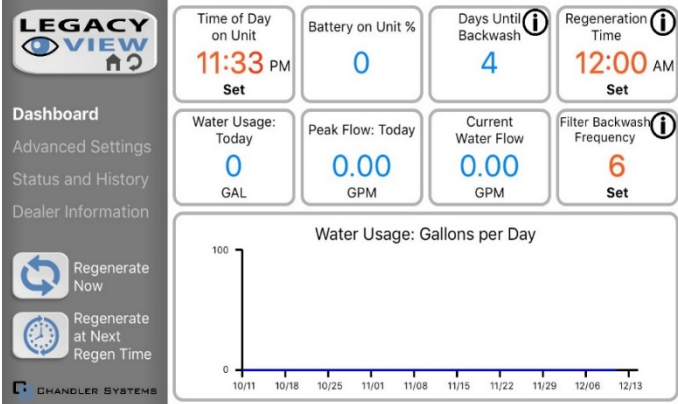


For simplified set up and control, please install the Legacy View on a compatible Bluetooth 4.0+ enabled smart phone or tablet. Note that times and settings EXCEPT the Air Draw minutes can be set or adjusted. Set the Air Draw minutes on the control valve, See Page 13 – 14.

1. Download and install the Legacy View app from the Google Play Store, Apple App Store.
2. Open the Legacy View app
3. Choose a valve device at any time from the list of available devices to connect to by clicking on it (which means your 5900-BT control valve, or valves if you have more than one system)
4. If the valve you want to connect to doesn't show up, or there is a problem connecting press the "Scan for Devices" button or the Legacy View logo at any time to refresh the list and start the process over.
5. If the valve device is a BTLE valve and it has a password other than the default password, the first time you connect to it the app will ask you to enter the password.
6. After entering it the first time you should not need to enter it again unless it changes.
7. The control valve firmware can be updated by the App. When the app is updated from the Google Play Store or the Apple App Store, it may contain an updated firmware program for the valve devices.
8. These updates could contain new features or operational improvements. It is up to the user to allow these updates to be sent to the valve device. Uploading a new program takes approximately 1 minute.

# Pro Ox 5900-BT-AIR Blend Installation & Startup Guide

## Legacy Phone App Dashboard



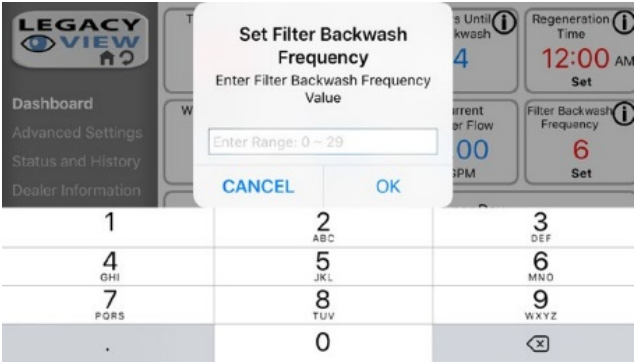
From the **Dashboard**, all items in **ORANGE** can be changed, while blue fields are informational only.

If you are unsure about the function of the field, click the Info icon for more

information

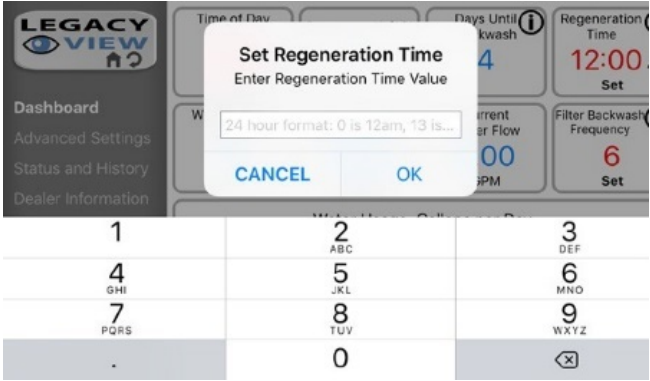


1. Change Time of day (Press "set" to set time automatically based on device time)



2. Set Backwash Frequency. This sets the amount of days between backwash cycles.

# Pro Ox 5900-BT-AIR Blend Installation & Startup Guide

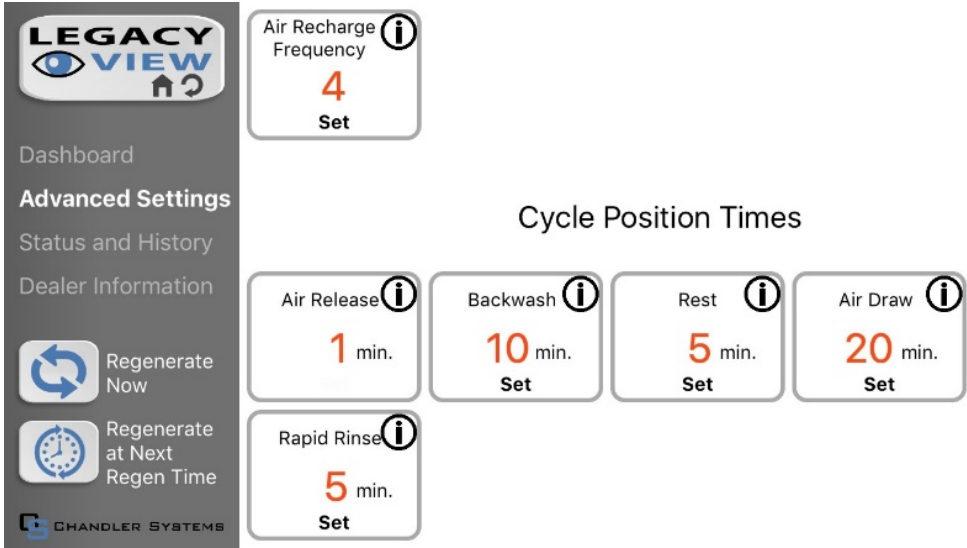


3. Set Regeneration Time. Example: For 2am, just type 2 and press OK.

## Legacy App Advanced Settings

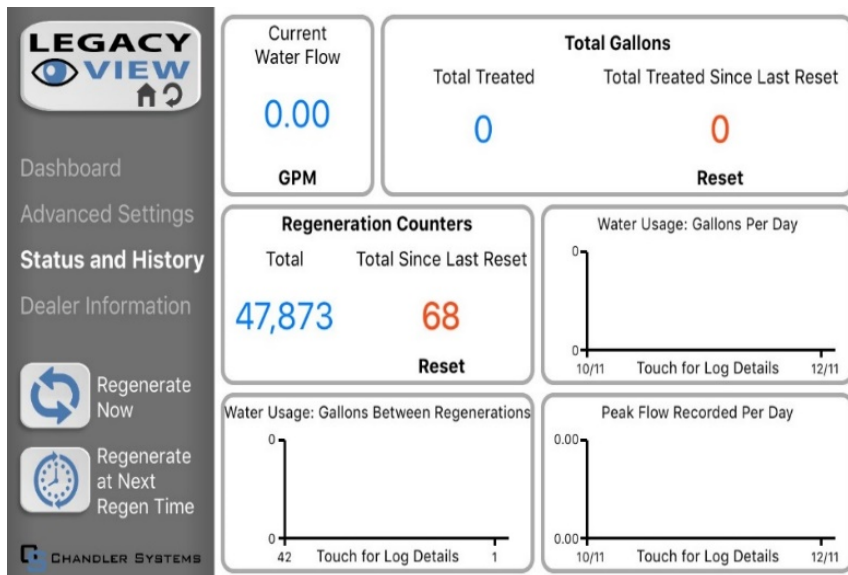
From the Advanced Settings, all items in **ORANGE** (except the Air Draw) with a “set” button can be

changed. To set air draw, do this on the control valve itself.



Touch any table to explode a detailed list of the last 60 days.

## Status and History Using Legacy View App



From the Status and History, all items in **ORANGE** can be reset. NOTE: You cannot adjust or set the AIR DRAW minutes using the Legacy View App. This must be done on the control valve itself.



**Start a regeneration or backwash cycle**



**Option 1:** Click on “Regenerate Unit Now.”

If you would like to force the unit into the next cycle step,

Click “Go to next Regeneration Step.”

**Option 2:** “Regenerate Unit at next Regen Time” button.

This will take the system into a backwash at the next regeneration time.

### Filter System Normal Operation

- Normal display alternates between time of day and days until regeneration.
- Days remaining until the next regeneration will count down from the regeneration day override value to 1 day remaining. Once count reaches 1, a regeneration will be initiated at next scheduled regen time

### How to Start A Manual Backwash

1. If days remaining is not already at 1 press and hold the Set/Change button.
2. After 7 seconds the days remaining display will read: [1]
3. With days remaining at 1 press and hold the Set/Change button again.
4. After 5 seconds the regeneration cycle will begin.
5. Fast Cycling Through each Step
6. First complete above immediate cycle steps
7. Press and hold the Set/Change button
8. After 3 seconds the valve will start to advance to the next step

### Pro-OX Air Blend 5900-BT Maintenance

- Check pH before and after Pro-OX-AIR Blend System at least once every 2 – 3 months. When the pH after the System drops to less than 7.0, or the filter media in the Pro-OX AIR Blend tank drops to less than 2/3rds full, add more Calcite to bring level of media back up to 2/3rds full level.
- Replace the seals and spacers (see Page 27) every 1 – 2 years.
- Once a year clean the air injector (see page 28) for exploded view. If you are using the chlorine draw feature, clean the chlorine injector (see Item 17, page 28).

### How to Remove Media Accidentally Stuck in Control Head

**Sometimes, when doing the Initial Backwash and Start-Up only**, the media can get lifted into the control head.

You can tell this has happened because you will have little or no flow, either going out to drain while in the backwash position, or when in the service position.

- 1) Put the Inlet Bypass in the Closed position.
- 2) From Service Mode, initiate a manual regeneration, by pressing and holding regen but
- 3) The valve will advance to the BW (backwash) position and start counting down. Press the Regen button again and wait for the valve to advance and stop at the Rapid Rinse (RR) position.
- 4) With the valve in the RR position, open and close the Inlet Bypass valve several times.
- 5) With the Inlet Valve OFF, Advance the valve back to Service position again, and again press and hold the Regen button, we are putting the valve back to the Backwash position.
- 6) Open the Inlet valve just enough so you can hear the water passing thru the valve- you should notice a corresponding slow flow out of the drain line.

Any time that you are in the Backwash or Rapid Rinse position, you may unplug the power, and this will hold the valve in its current position, so it doesn't 'time out' and go to next position. When you plug the valve back in, after a minute it will return to where it was when you unplugged it (i.e. 2:32 remaining in BW).

It is not possible to jam media into the head while in Rapid Rinse, or Service, just in the Backwash, when the flow direction is reversed and **only during initial start-up**.

What you are trying to accomplish, after you have pushed the media back in to the tank in the Rapid Rinse position, is to get the Inlet valve all the way open in the Backwash position, without it jamming media back in the head. Once it does that successfully, you are done.

### **Troubleshooting Chart**



## Pro Ox 5900-BT-AIR Blend Installation & Startup Guide

SYMPTOM	PROBABLE CAUSE	CORRECTION
<b>1. Fails to Regenerate Automatically</b>	Power supply plugged into intermittent or dead power source	Connect to constant power source
	Improper control valve programming	Reset program settings
	Defective power supply	Replace power supply
	Defective Drive motor	Replace motor
<b>2. Regeneration at Wrong Time</b>	Time of day improperly set, due to power failure	Reset time of day programming and install 9-volt battery.
	Regeneration time set improperly	Reset regeneration time programming
<b>3. Poor Water Quality</b>	Check items listed in #1 and #2	
	Bypass valve open	Close bypass valve.
	Channeling	Check for too slow or high service flow. Check for media fouling.
	Lack of aeration in water	Program valve to draw air more frequently. Increase number of minutes in air draw cycle. Clean injection assembly and screen (instructions on page 13).
<b>4. Loss of Water Pressure</b>	Scaling / fouling of inlet pipe	Clean or replace pipeline. Pretreat to prevent.
	Fouled media	Clean media. Pretreat to prevent.
	Improper backwash setting	Backwash more frequently
<b>5. Continuous Flow To Drain</b>	Foreign material in control	Clean valve and replace pistons and seals.
	Internal control leak	Same as above.
	Valve jammed in backwash or rapid rinse position	Same as above.
	Motor stopped or jammed	Check for jammed piston. Replace piston and seals. Replace motor if motor is unresponsive.
<b>6. Media in Service Line</b>	Plumbed in backward	Re-plumb the system properly
	Internal leak in unit	Call dealer.
<b>7. Media Flows to Drain</b>	Media did not soak long enough	Re-soak the media for a longer length.
	Incorrect or missing drain flow control	Check for proper flow control (reference no. 5 on page 9). Call dealer, if problems persist.

One problem that may occur is if you do not have enough backwash flow rate to properly clean the Pro-OX filter media, particularly if you are on well water and have very low flow and pressure (not usual).

“Flow Rate” is simply how many gallons will flow in one minute, out the drain tubing. If the system is in a backwash and flowing, if it fills a 5-gallon bucket in one minute, it is “5 GPM”

You can verify the backwash flow rate by running the drain line into a bucket and timing it when the 5900-BT control is in backwash.

### Problems with Pressure Loss or Reduced Flow

1. First make sure that the problem is the 5900-BT Filter and not another cause. Check the flow rate out of a faucet, with the 5900-BT control valve on by-pass.
2. Greater flow and pressure when the unit is on bypass means the problem is in the filter. No change would indicate the problem is before the filter.
3. **The valve:** Over time, deposits can build up on the inside of the valve, and prevent the piston from moving, or fully advancing to where it needs to be, and this can affect the flow. The solution is to replace the seals and spacers, clean the valve where you removed the parts, clean and inspect the piston, and re-install.
4. **The filter media:** As is already noted in the guide, backwash must be done with sufficient flow rate and be backwashed frequently enough to keep the Pro-OX filter media clean.
5. **Mud-ball formation:** If your water has high levels of sediment, silts, or clay getting into the filter, over time these elements combine to form balls which will ruin filter performance. If multiple backwashes do not recover the media, take the control head off & inspect media.

### Service Instructions – Perform Before Doing Any Service

- A1. Turn off water supply to filter and put it in the bypass position.
- A2. Remove cover and relieve water pressure in the 5900-BT control valve by stepping the control into the backwash position momentarily. Return the control to the service position.
- A3. Unplug electrical cord from outlet.

### How to Replace Powerhead

- B1. Remove the control valve cover and disconnect the power supply.
- B2. Disconnect meter cable from circuit board, feed through control (if meter is being re-used)
- B3. Remove lower back base screws and detach lower back base.
- B4. Remove screw and washer at drive yoke.
- B5. Remove powerhead mounting screws.
- B6. The entire powerhead assembly will now lift off easily.
- B7. Put new powerhead on top of the valve. Be sure the drive pin on main gear engages slot in drive yoke (wide side of drive yoke upright must face to the left away from the motor).
- B8. Replace powerhead mounting screws. Replace screw and washer at drive yoke.
- B9. Reattach lower back base.
- B10. Reconnect meter signal, wire and power supply.
- B11. Reinstall cover.

### How to Replace Piston Assembly

- C1. Follow steps **A1 - A3**
- C2. Disconnect the meter signal wire from the circuit board.
- C3. Remove lower back base screws and detach lower back base.
- C4. Remove screw and washer at piston drive yoke. Remove powerhead mounting screws. The entire powerhead assembly will now lift off easily.
- C5. Remove piston retaining plate screws.
- C6. Pull upward on end of piston yoke until assembly is out of valve.

---

## Pro Ox 5900-BT-AIR Blend Installation & Startup Guide

---

C7. Inspect the inside of the valve to make sure that there is no foreign matter that would interfere with the valve operation.

C8. Install new seals and spacers.

C9. Take new piston assembly and push piston into valve by means of the end plug.

C10. Twist drive yoke carefully in a clockwise direction to properly align it with drive gear.

C11. Reinstall piston retaining plate screws.

C12. Follow steps **B5 - B9**

### How to Replace Seals and Spacers

D1. Follow steps **A1 - A3**.

D2. Disconnect the meter signal wire from the circuit board.

D3. Remove screw and washer at piston drive yoke. Remove powerhead mounting screws. The entire powerhead assembly will now lift off easily. Remove piston retaining plate screws.

D4. Pull upward on end of piston rod yoke until assembly is out of valve. Remove seals and spacers. (Note: Special end spacer must be reused)

D5. Lubricate new seals with silicone lubricant included in the seal and spacer kit. Make sure the special end spacer is properly seated in the valve body.

Install new seals and spacers individually, pressing around the outer edge of each seal to make sure it is seated. (When all seals and spacers are seated properly, you will have a 1/4" of space between the top seal the top of the valve body)

D6. Follow Steps C9 to C10.

### How to Replace Meter

E1. Follow steps A1 - A3

- E2. Unplug meter cable from front of circuit board.
- E3. Unscrew meter assembly nut from valve body.
- E4. Remove meter from valve body and clean or replace as necessary.
- E5. Reinstall meter, nut and cable.

### **How to Replace the Pro-OX Filter Media**

1. Typically, after 3 to 5 years the Pro-OX media will start to allow a small amount of free-chlorine to flow through the Pro-OX media. To accomplish this:
2. Turn water to system and depressurize the filter by opening a hose bib or faucet after the Pro-OX backwash filter system.
3. Put system on bypass and remove the union fittings between the bypass valve and the 5900-BT control valve.
4. Unscrew the control valve and set aside.
5. Siphon water out of the Pro-OX filter by inserting a small flexible tube down the distributor tube and siphoning out the water.
6. Lay down clean tarp outside or somewhere you can flush water and clean the tank out.
7. Insert a garden hose in the tank and allow water to flow down center distributor tube. Pro-OX media will begin to flow out on to the tarp.
8. Flush out all Pro-OX media and gravel and discard to landfill or trash.
9. Rinse out filter tank until clean.

---

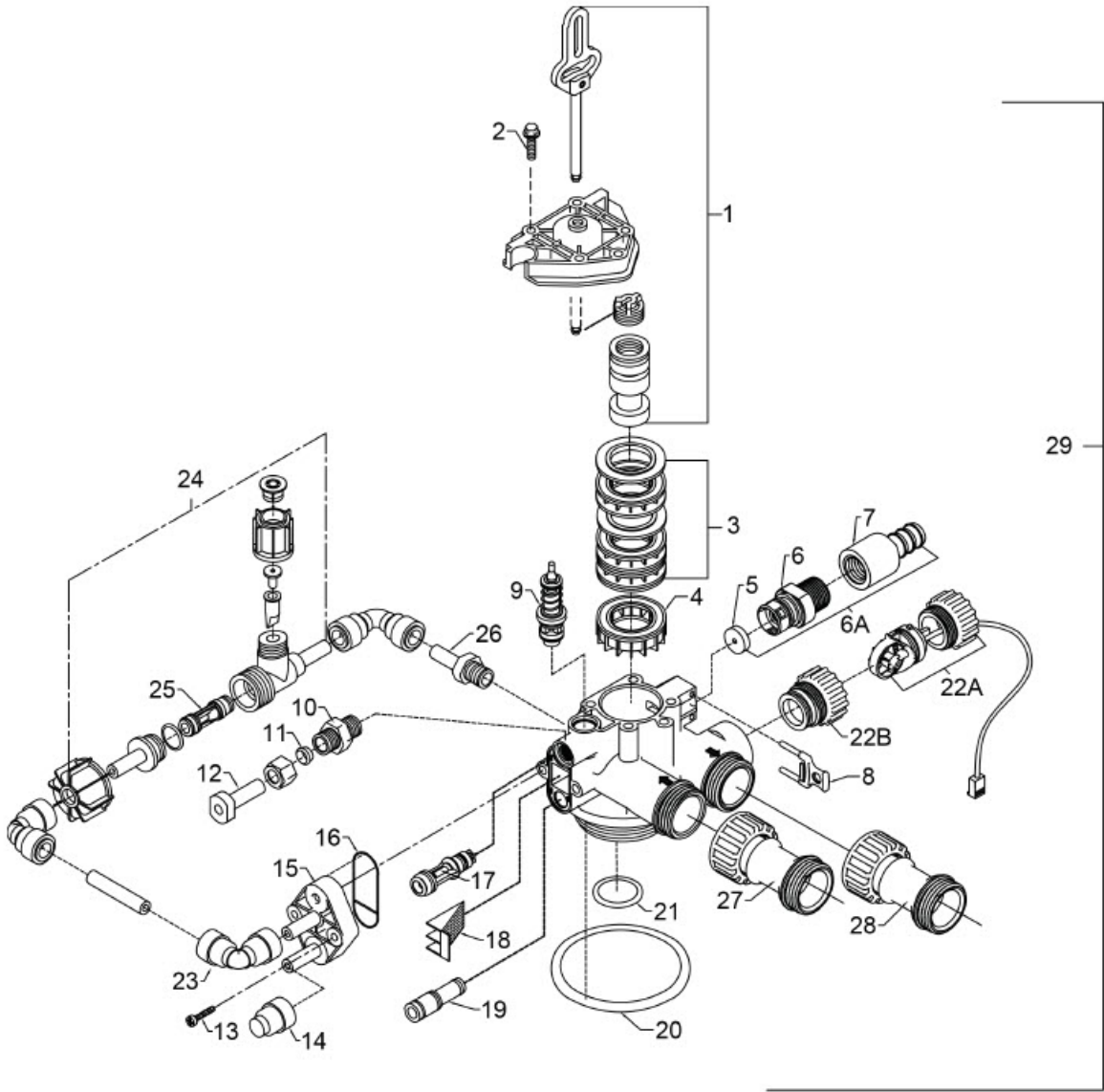
## *Pro Ox 5900-BT-AIR Blend Installation & Startup Guide*

---

10. Add a ½ cup of household bleach and a few gallons of water and rinse inside of tank.
11. Rinse out filter tank until chlorine is gone.
12. Add gravel and new activated Pro-OX and re-start up system following original directions in this manual.

### **Valve Body Assembly S900-BT**

# Pro Ox 5900-BT-AIR Blend Installation & Startup Guide



---

## Pro Ox 5900-BT-AIR Blend Installation & Startup Guide

---

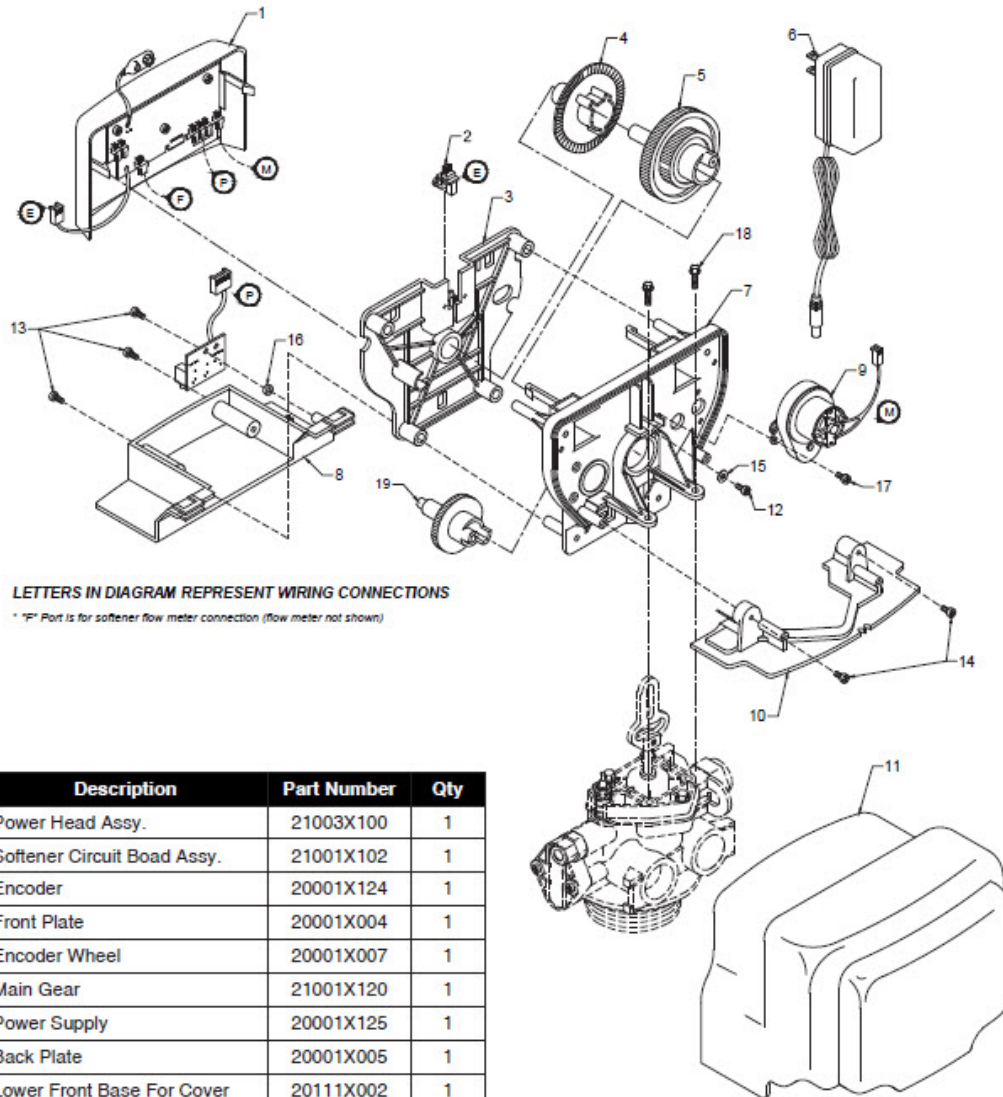
### Valve Body Assembly S900-BT Parts List

Ref	Description	Part No.	Qty
1	Piston Assembly	20001X231	1
2	10-24 X 13/16 Hex Head	20001X226	5
3	Seal and Spacer Kit	20561X253	1
4	Bottom Spacer	N/S	1
5A	Flow Control Button 2.4 GPM	20251X268	1
	Flow Control Button 3.5 GPM	20251X270	1
6	Plastic Flow Control Housing	20017X100	1
6A	Flow Control Assy. 2.4 GPM-PVC	20017X258	1
	Flow Control Assy. 3.5 GPM-PVC	20017X260	1
7	Drain Line Hose Barb, Straight	20017X255	1
8	DLFC Clip	20017X214	1
9	Brine Valve	20561X225	1
10	Brine Line Flow Control Assy.	20001X228	1
11	Brine Line Ferrule	20251X305	1
12	10-24 X 1 Hex Screw	20001X226	2
13	Injector Cover	20001X223	1
14	Injector Seal	20001X224	1
15	Injector w/ Check Ball - Blue	20017X220	1
16	Injector Screen	20001X222	1
17	Injector Plug	20001X217	1
18	Tank O-Ring	20561X205	1
19	Distributor Pilot O-Ring	20561X204	1
20	Flow Meter	20017X203	1
21/22	Valve Complete	VH1-B-D15	1



# Pro Ox 5900-BT-AIR Blend Installation & Startup Guide

## Control Valve Assembly 5900-BT & Parts List



Ref	Description	Part Number	Qty
0	Power Head Assy.	21003X100	1
1	Softener Circuit Boad Assy.	21001X102	1
2	Encoder	20001X124	1
3	Front Plate	20001X004	1
4	Encoder Wheel	20001X007	1
5	Main Gear	21001X120	1
6	Power Supply	20001X125	1
7	Back Plate	20001X005	1
8	Lower Front Base For Cover	20111X002	1
9	Motor	20016X006	1
10	Lower Back Base for Cover	20111X003	1
11	Valve Cover	20111X000	1
12	Piston Screw	20001X003	1
13	Screw	SC10	3
14	Screw	SC9	2
15	Piston Washer	20001X002	1
16	Washer Circuit Board	20111X014	1
17	Screw Motor	SC2	1
21	Valve Hex Screw	20001X001	2

## Limited Warranty

We warrant this water filter/ softener/ conditioner, when installed according to factory recommendations, to be free from defects in materials and workmanship as follows:

### -----Limited Warranty-----

This water conditioner unit is comprised of the finest industry components available. Each individual component used in the assembly of our equipment is covered by the original equipment manufacturer's warranty. All components, except those specifically listed below, are warranted for a period of one (1) year from date of installation to the original purchaser to be free of defects in materials and workmanship subject to the manufacturer's conditions and/or the conditions shown below.

### -----Mineral Tanks-----

The fiberglass, polyglass or composite mineral tanks used in the assembly of this unit are warranted to be free of defects in materials and workmanship for a period of ten (10) years on 6" – 13" size tanks, and five (5) years on 14" and larger size tanks used for softener/filtration applications, subject to the manufacturer's conditions and/or the conditions shown below. Warranty does not cover exposure to weather, freezing, fractures caused by external impact, or exposure to vacuum.

### -----Control Valves-----

The CWS control valve is warranted to be free of defects in materials and workmanship for a period of seven (7) years, subject to the manufacturer's conditions and/or the conditions shown below. Fleck & other brand control valves have 5-year warranty.

### -----Conditions-----

1. This warranty only covers water conditioners installed for residential use. Water conditioners installed for commercial or industrial applications are guaranteed for one (1) year from the date of installation.
2. Installation must be made in accordance with legal or local codes and manufacturer's recommendations.
3. Failure must not result from exposure to weather, rodents, misuse, alteration, fire, lightning, power surges or neglect.
4. Water pressure must not exceed 100 PSI and water temperature must not exceed 100 degrees.
5. Subject to the above terms and conditions we will replace and/or repair, at our option, any parts of the water conditioner found defective in materials and workmanship. Defective parts must be returned, freight pre-paid for repair or replacement.
6. This warranty does not cover labor, shipping charges, damages caused by delays of consequential damages or other causes beyond our control. Warranty does not cover pipes, fixtures or appliances. Warranty extends to the actual water conditioner components only.
7. This warranty is to the original purchaser and is not transferable after the third year to any subsequent owner(s).
8. No other guarantees or warranty, expressed or implied, is applicable to our product. No repair or replacement made under the terms of the warranty shall extend this warranty.