

MANUAL REGENERATION

NOTE: For softeners, if brine tank does not contain salt, fill with salt and wait at least 2 hours before regeneration.

If you need to initiate a manual regeneration, either immediately, or tonight at the preprogrammed time for regeneration (typically 2:00 AM), complete the following steps.

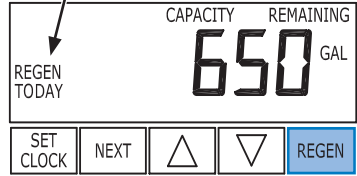
For Immediate Regeneration:

Press and hold "REGEN" until valve motor starts (typically 3 seconds).

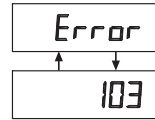
For Regeneration Tonight:

Press and release "REGEN" (notice that flashing "REGEN TODAY" appears).

REGEN TODAY will flash if a regeneration is expected "Tonight."

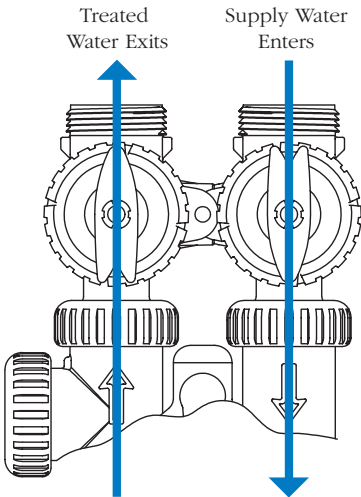


If the display toggles between "Error" and an error code (i.e. a number), call a service technician and report the error code.

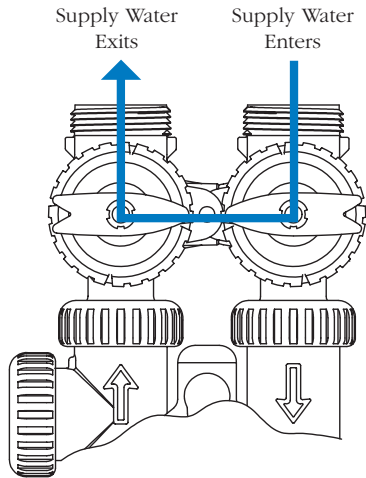


To **shut-off water** to the system, please position arrow handles as shown in the **bypass operation** diagram below. If your valve doesn't look like the diagram below, contact your service technician for instructions on how to shut-off water.

NORMAL OPERATION



BYPASS OPERATION



NOTES:

CLICK ANYWHERE on THIS PAGE to return to CLACK WATER SOFTENER MANUALS at InspectApedia.com

Installation date: _____

Injector color installed: _____

Drain Control size installed: _____

Hardness (gpg): _____

Water pressure: _____

Salt setting: _____

Iron (ppm): _____

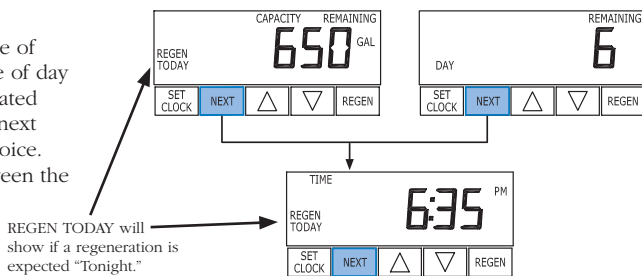
Manganese (ppm): _____

TDS (ppm): _____

pH: _____

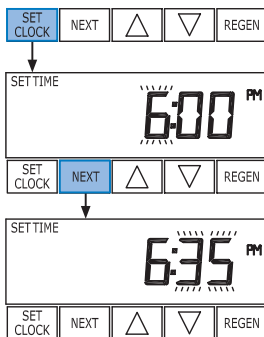
GENERAL OPERATION

When the system is operating one of two displays will be shown. Time of day will be one choice, gallons of treated water available or days until the next regeneration will be the other choice. Pressing "NEXT" will toggle between the two choices.



TO SET TIME OF DAY

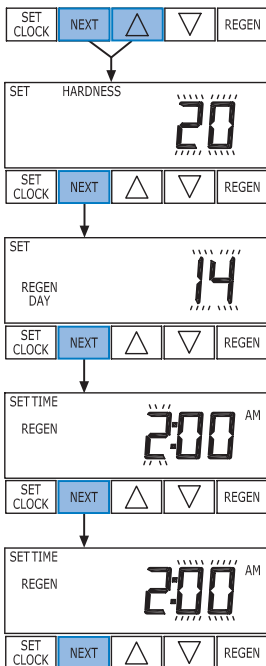
In the event of a prolonged power outage, time of day flashes, indicating that this needs to be reset. All other information will be stored in memory no matter how long the power outage. Please complete the steps as shown to the right. To access this mode, press "SET CLOCK."



1. Accessed by pressing "SET CLOCK."
2. Adjust hours with ▲ or ▼ button, AM/PM toggles at 12.
3. Press "NEXT."
4. Adjust minutes with ▲ or ▼ button.
5. Press "NEXT" to complete and return to normal operation.

ADJUST HARDNESS, DAYS BETWEEN REGENERATIONS, OR TIME OF REGENERATION

For initial set-up or to make adjustments, please complete the steps as shown to the right. Access this mode by pressing "NEXT" and "▲" simultaneously. **NOTE:** Hardness display shows "-nA-" if used as a filter. If other displays do not appear, refer to manual.



1. Accessed by pressing "NEXT" and ▲ button simultaneously.
2. Adjust hardness using ▲ or ▼ button.
3. Press "NEXT."
4. Adjust days between regenerations using ▲ or ▼ button.
5. Press "NEXT."
6. Adjust time of regeneration hours with ▲ or ▼ button, AM/PM toggles at 12.
7. Press "NEXT."
8. Adjust time of regeneration minutes with ▲ or ▼ button.
9. Press "NEXT" to complete and return to normal operation.