

CLICK ANYWHERE on THIS PAGE to RETURN to CAST IRON PIPE INFORMATION at InspectApedia.com

CHARLOTTE
PIPE AND FOUNDRY COMPANY

Cast Iron Multi-Story

APPLICATION GUIDE AND DIMENSIONAL CATALOG

Cast Iron Fitting Products for Multi-Story Applications

Revit® Drawings Available at www.charlottepipe.com

(Updated April 20, 2021)

You can't beat the system.®

TABLE OF CONTENTS	PAGE
Anatomy of a Starter Fitting	3
Multi-Story Hubless Typical Installations.....	4-8
Multi-Story Hubless Fittings	9-11
Multi-Story Hubless Extended Fittings.....	12-13
Multi-Story Hubless Fixture Fittings	14-25
Multi-Story Hubless Starter Fittings	25-37
Hubless Application Index.....	38
EZS 700 and EZS 800 Minimum Space Requirements	39
Multi-Story Service Typical Installation.....	40
Multi-Story Tapped Service Fittings	41-42
Multi-Story Service Fixture Fittings.....	43-49
Multi-Story Service Starter Fittings.....	50-55
Service Weight Application Index.....	56
Minimum Space Requirements for Multi-Story Service Starter Fittings.....	57
Limited Warranty.....	58



Download our Tech Tools App for dimensional info, tech calculators and more on your mobile device.

All detail drawings included in this manual can be downloaded as DWG or PDF documents at www.charlottepipe.com.

Thank you for your interest in Charlotte Pipe and Foundry Starter Fittings. Charlotte Pipe and Foundry offers both Hubless and Service fittings for multi-story applications. Our fittings have been designed in cooperation with generations of commercial contractors to make commercial DWV installations more efficient.

Used in combination with thoughtful plumbing design, Starter Fittings will reduce the total number of fittings in an installation. They reduce the number of joints, minimize the complexity of distributing fittings on a job site, fit better within confined plumbing walls, and improve the overall quality of a job. This maximizes profitability for the installing contractor. Another user-friendly feature of our Starter Fittings is the ability to custom order vent and inlet positions to fit building needs.

Charlotte Pipe products are proudly manufactured in the USA. Please contact Charlotte Pipe with any questions on the application of these fittings, comments or recommendations.

The Anatomy of a Starter Fitting

- 1 Fixture Fitting**
- +**
- Hubless Coupling**
- +**
- 2 Sanitary Tee**
- +**
- Hubless Coupling**
- +**
- 3 Wye**
- +**
- Hubless Coupling**
- +**
- 4 Pipe**

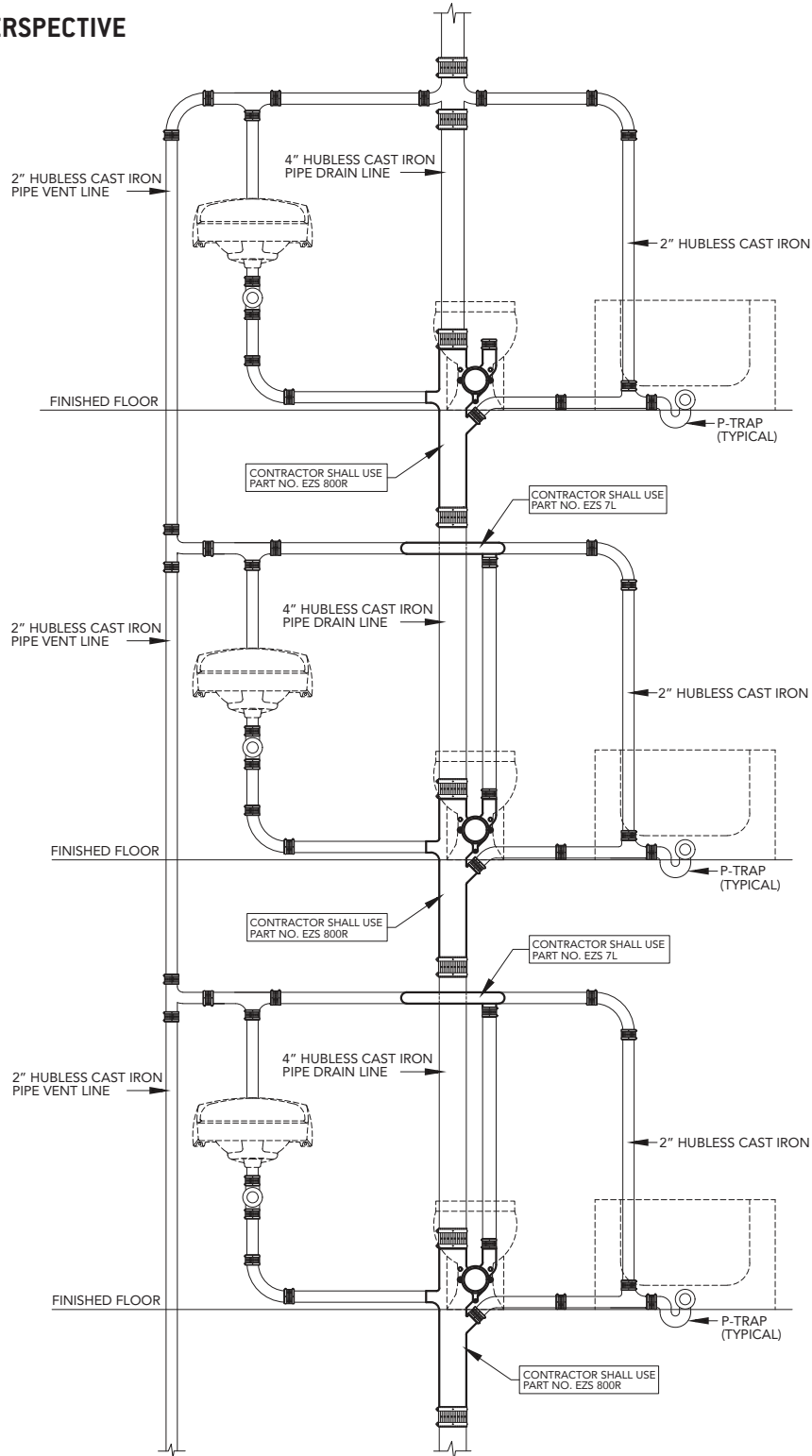


Revit® Drawings Available at www.charlottepipe.com

You can't beat the system.®

Multi-Story Hubless Fittings TYPICAL HIGH-RISE BUILDING INSTALLATION

EZS 800 STACKED PERSPECTIVE

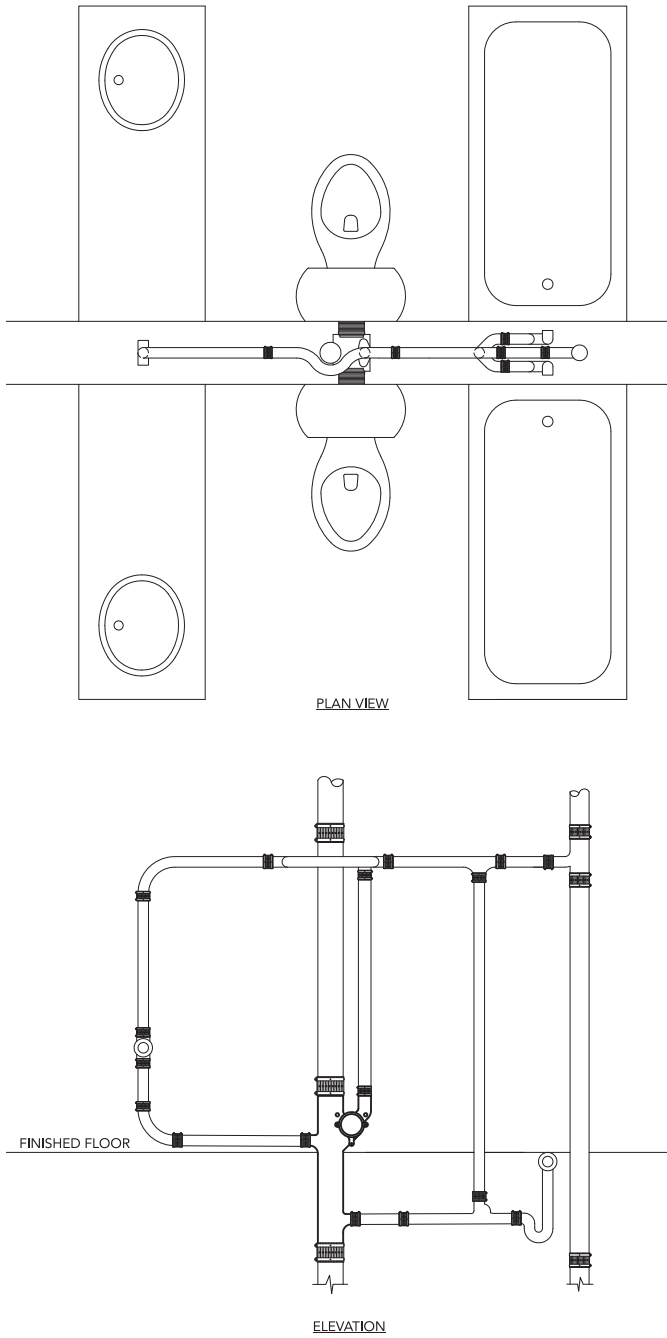


All products manufactured by Charlotte Pipe and Foundry Company are proudly made in the U.S.A.

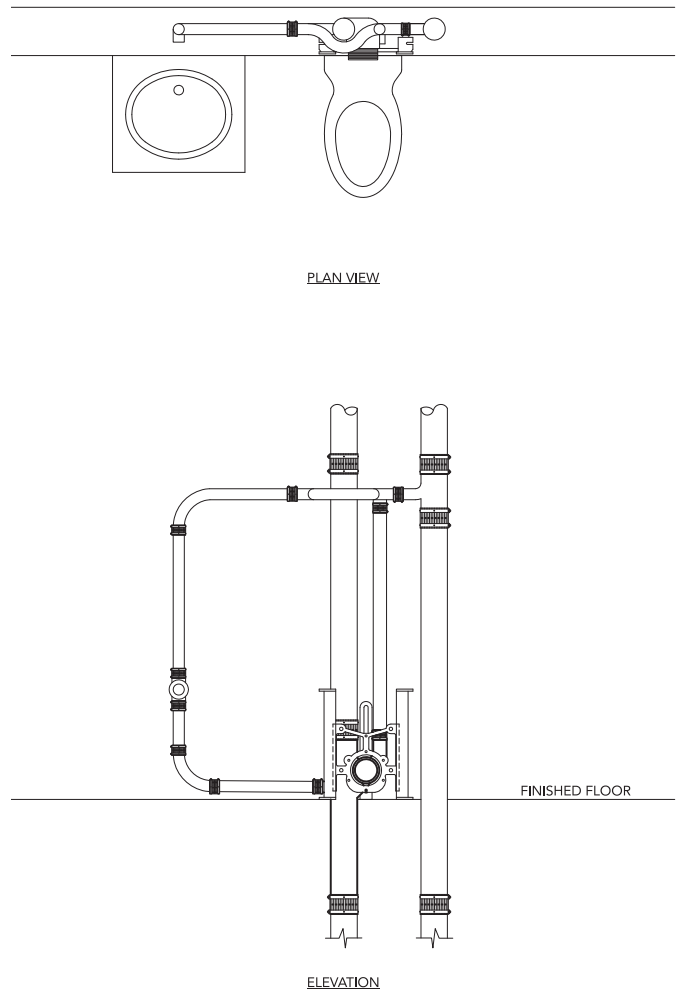


Typical Installations

EZS 700D
DOUBLE FLOOR MOUNT BACK OUTLET APPLICATION



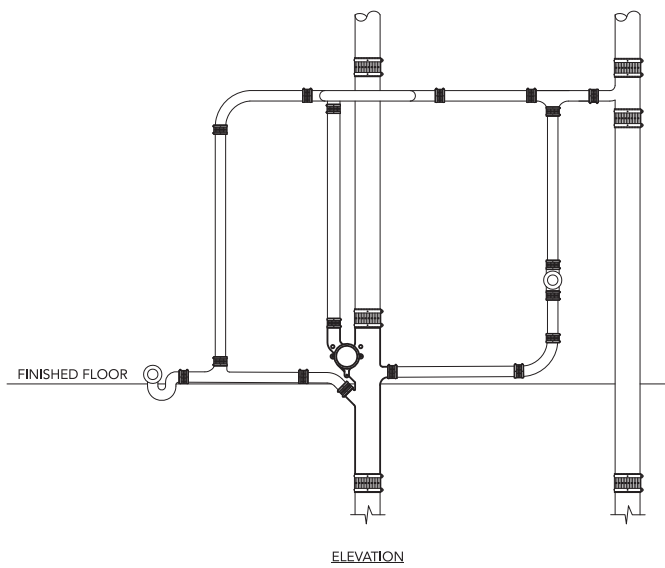
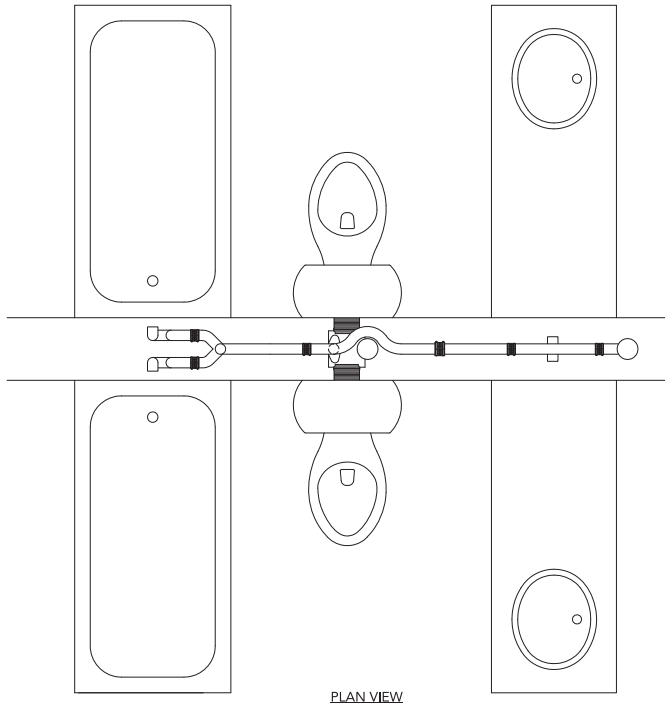
EZS 700R
WALL MOUNT BACK OUTLET APPLICATION



Typical Installations

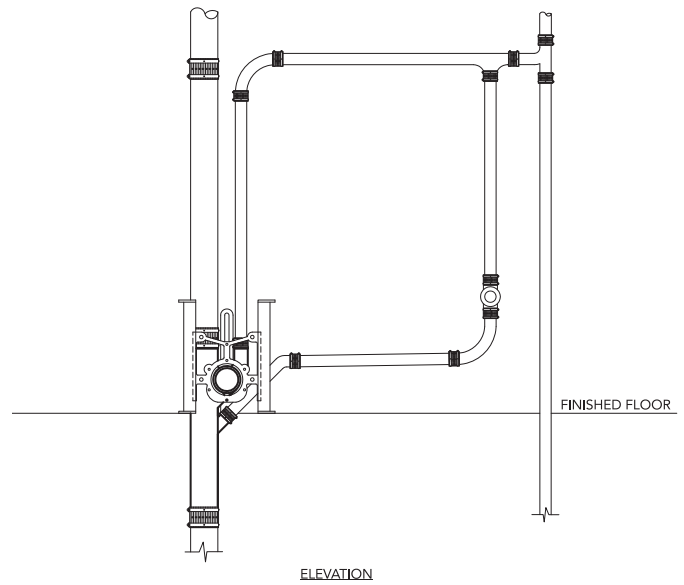
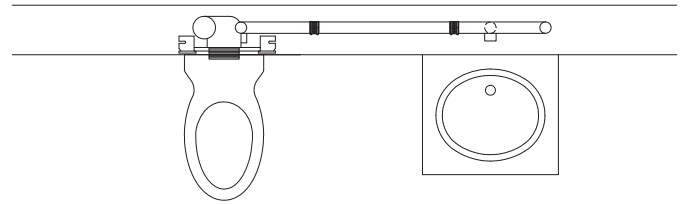
EZS 800D

DOUBLE FLOOR MOUNT BACK OUTLET APPLICATION

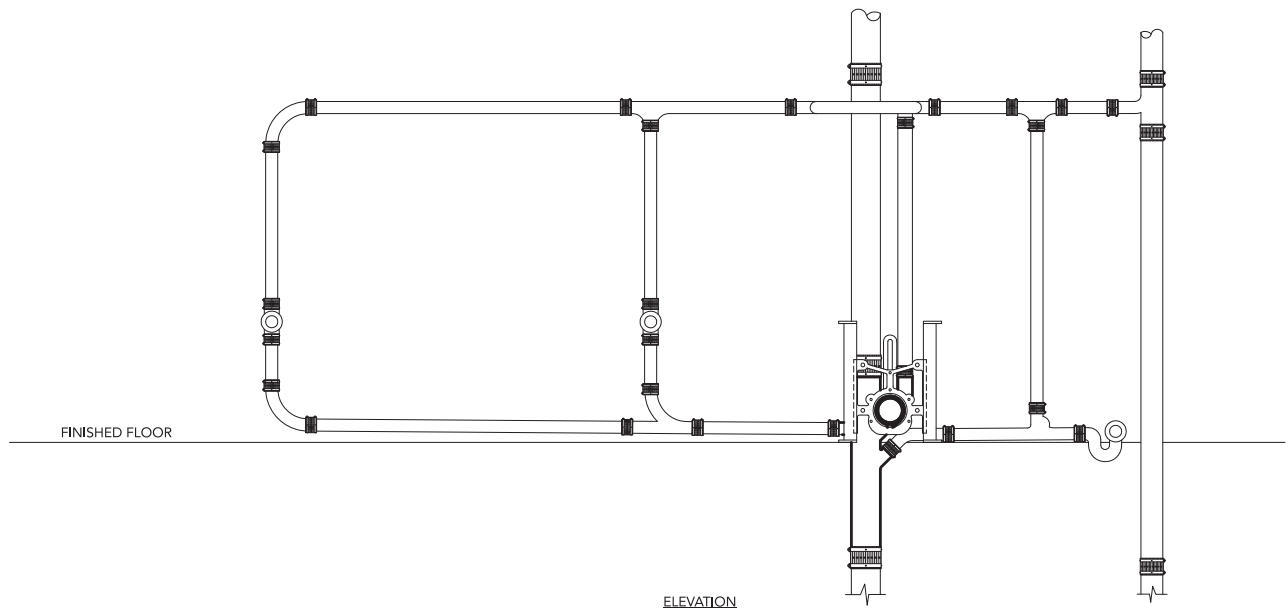
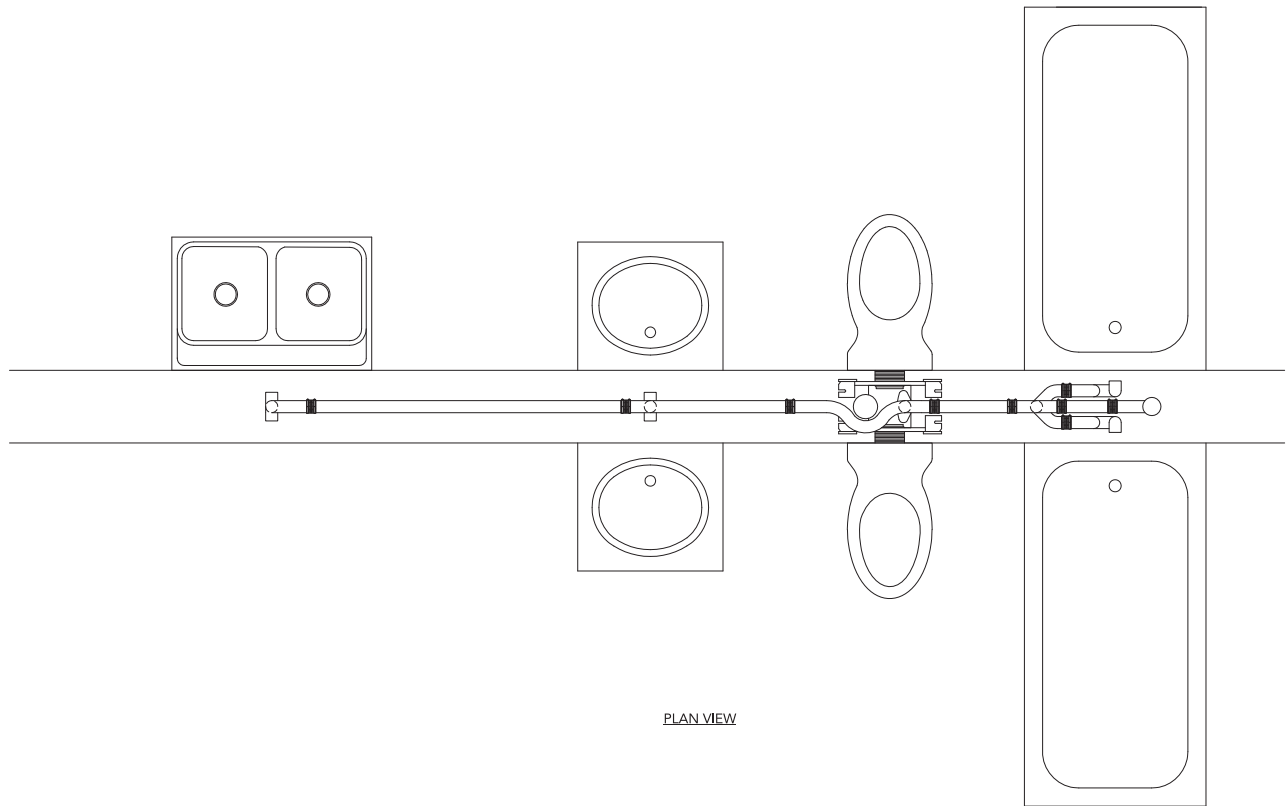


EZS 800R

WALL MOUNT BACK OUTLET APPLICATION

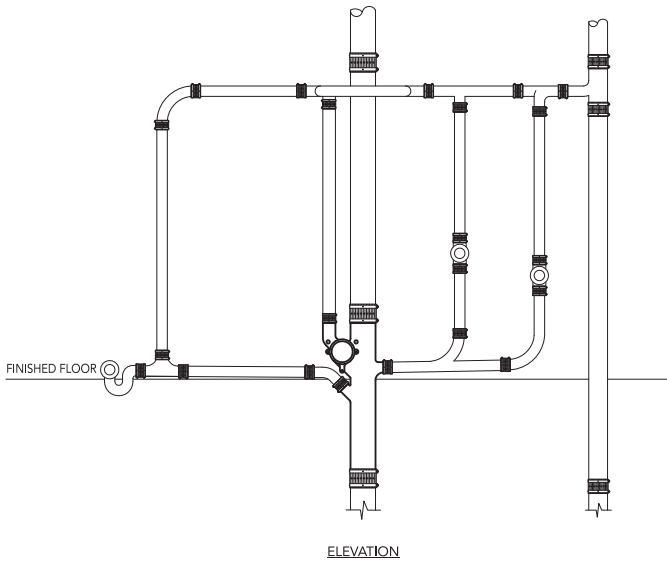
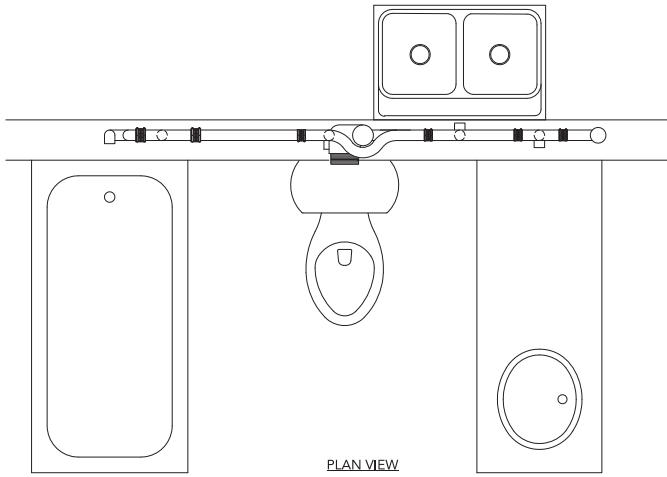


Typical Installations
EZS 800D
DOUBLE WALL MOUNT BACK OUTLET APPLICATION

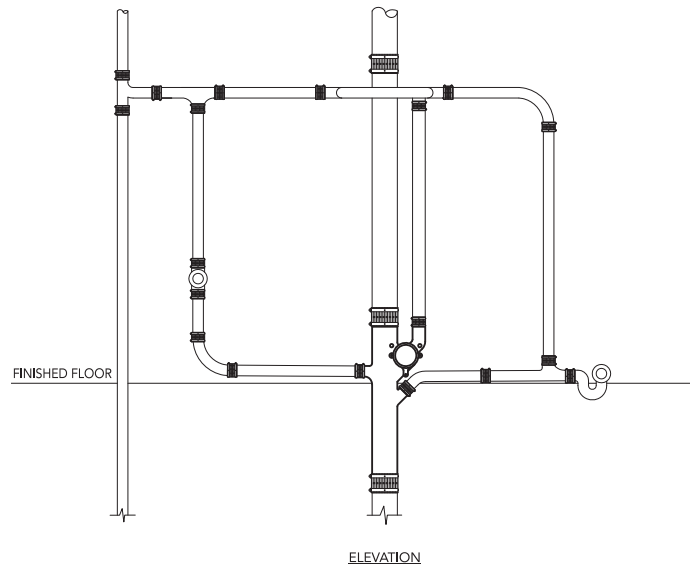
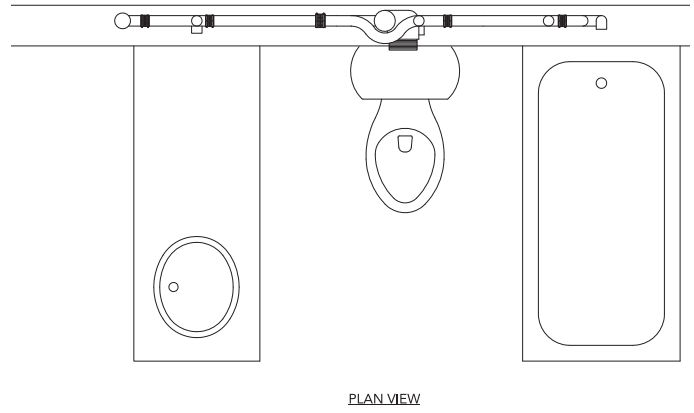


Typical Installations

EZS 800L
FLOOR MOUNT BACK OUTLET APPLICATION

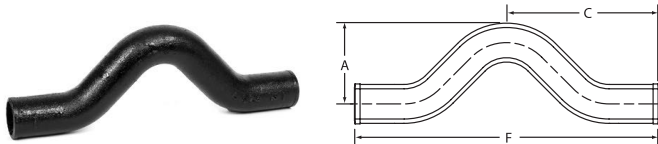


EZS 800R
FLOOR MOUNT BACK OUTLET APPLICATION



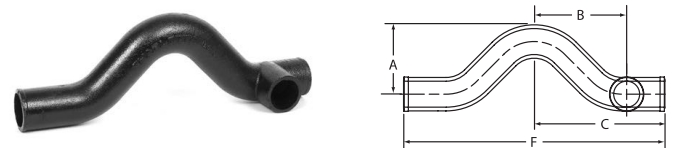
EZS 2" Vent Cross-Over
For use with EZS 50 through 800 Series Fittings

PART NO. EZS 7
2" Vent Cross-Over, Plain
(No Outlets)



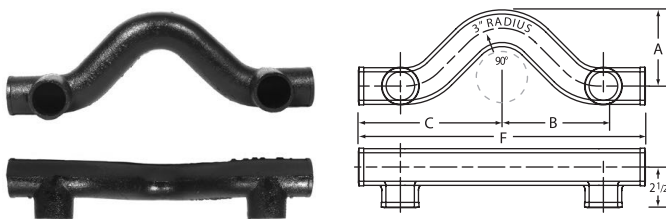
*U.P.C. No. 611942	Size	A	C	F	Weight
04429	2 x 18 ³ / ₈	4 ⁷ / ₈	9 ⁹ / ₁₆	18 ³ / ₈	8.1

PART NO. EZS 7L
2" Vent Cross-Over
with Left Hand Inlet



*U.P.C. No. 611942	Size	A	B	C	F	Weight
04431	2 x 18 ³ / ₈	4 ⁷ / ₈	6 ¹ / ₂	9 ⁹ / ₁₆	18 ³ / ₈	8.2

PART NO. EZS 7D
2" Vent Cross-Over, Double
(2 Inlets)



*U.P.C. No. 611942	Size	A	B	C	F	Weight
04430	2 x 18 ³ / ₈	4 ⁷ / ₈	6 ¹ / ₂	9 ⁹ / ₁₆	18 ³ / ₈	8.0

PART NO. EZS 7R
2" Vent Cross-Over
with Right Hand Inlet



*U.P.C. No. 611942	Size	A	B	C	F	Weight
04432	2 x 18 ³ / ₈	4 ⁷ / ₈	6 ¹ / ₂	9 ⁹ / ₁₆	18 ³ / ₈	8.4

HOW TO DETERMINE RIGHT or LEFT HAND CROSS-OVER

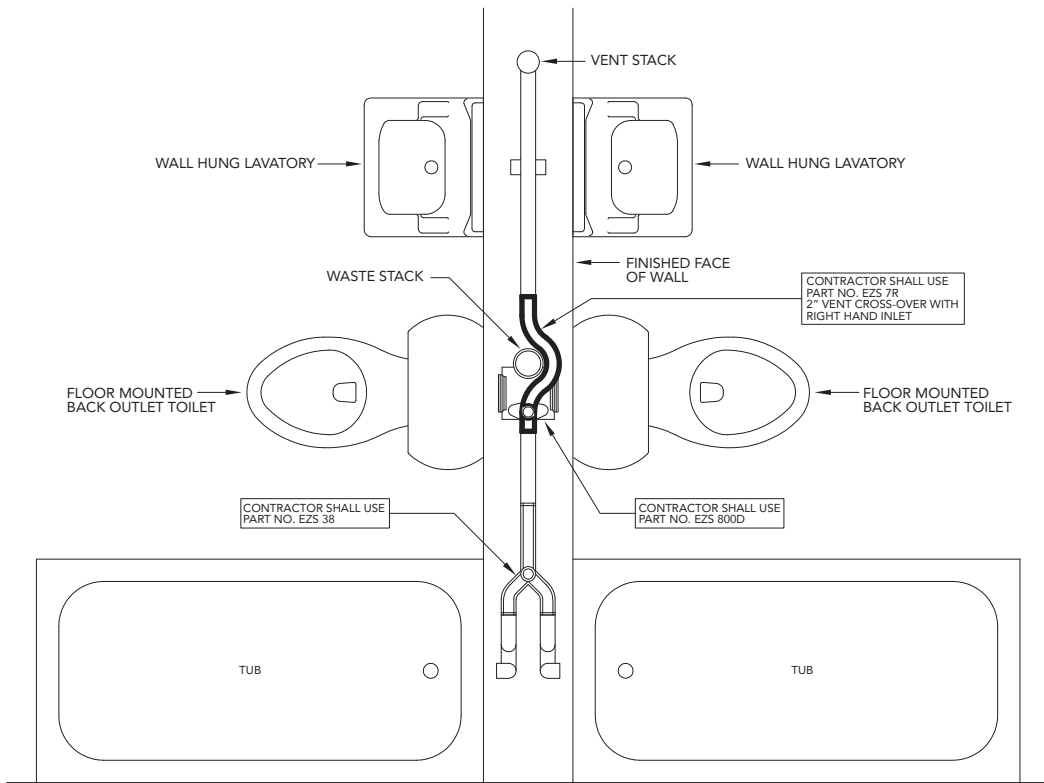
With the vented end toward you, hold the fitting so that you are looking into its length with the curved side up. If the vent is on your left side, it is a **Left** Hand fitting. If the vent is on your right side, it is a **Right** Hand fitting.

(Right Hand Cross-Over Illustrated)

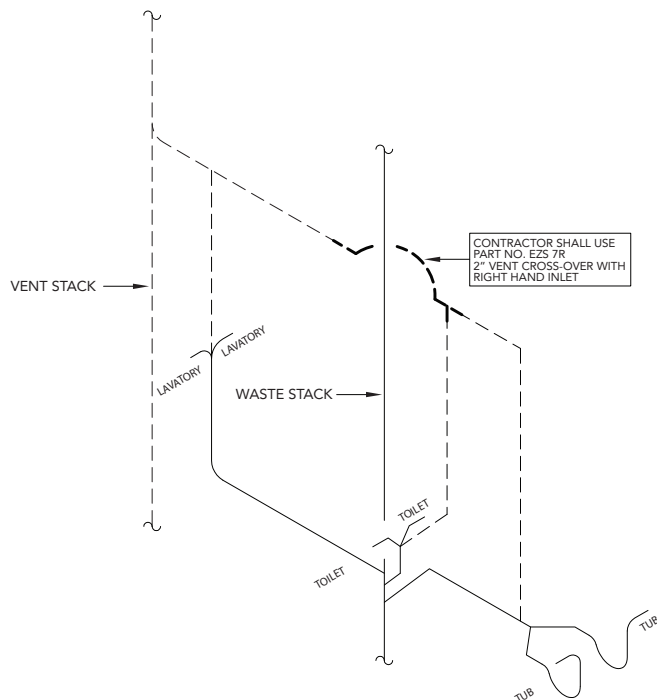
Note: VENT CROSS-OVER
for use with EZS-50 through 800 Series fittings.
Specify Right, Left, Plain or Double.

Note: Our crossovers are designed for use with EZS
starter fittings, that is for the vent and stack centerline
to be 6¹/₂"

EZS 7R 2" Vent Cross-Over

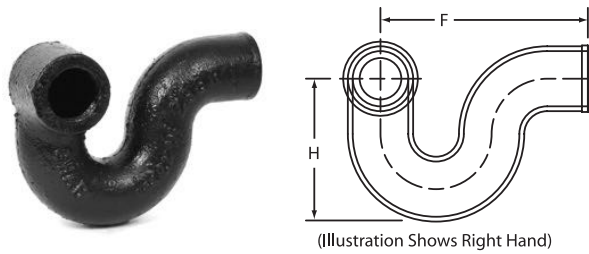


2" VENT CROSS-OVER FITTING RIGHT HAND



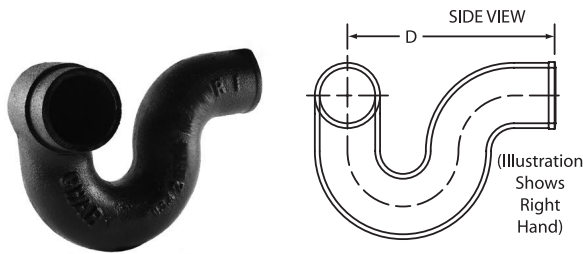
2" VENT CROSS-OVER FITTING RIGHT HAND RISER DIAGRAM

PART NO. EZS 9
P-Trap with 1½" Tapped Left or Right Side Inlet



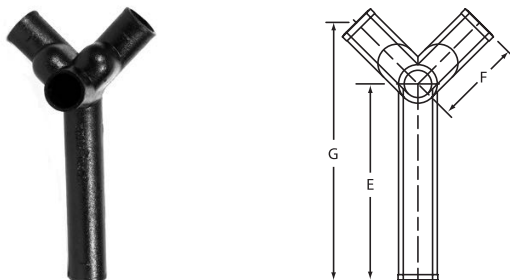
Size	H	F	Weight
2	5 ³ / ₁₆	7 ¹ / ₂	6.2

PART NO. EZS 10
P-Trap with 2" Side Inlet



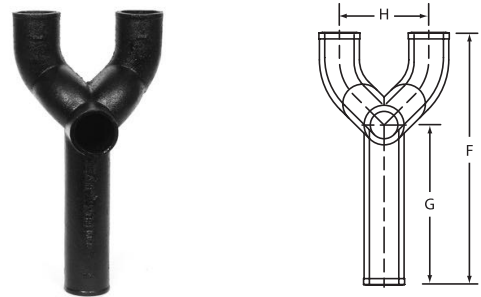
Size	C	D	J	Weight
2	1 ³ / ₁₆	7 ¹ / ₂	3 ¹ / ₁₆	6.4

PART NO. EZS 13
45° Vented Tub Wye



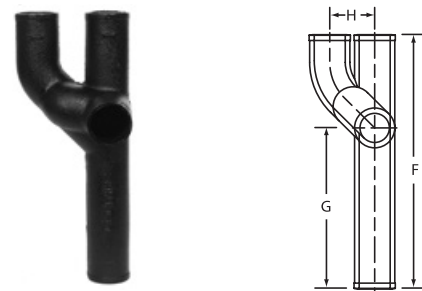
Size	E	F	G	Weight
2	12	5 ¹ / ₄	15 ³ / ₄	10.1

PART NO. EZS 38
Vented Tub Wye



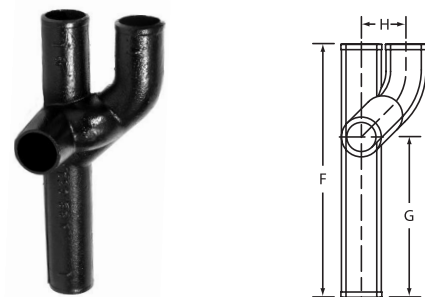
Size	G	H	F	Weight
2	9 ¹ / ₂	5 ¹ / ₄	15	9.4
2	24	5 ¹ / ₄	29 ¹ / ₂	13.7

PART NO. EZS 38L
Vented Tub Wye
Left Hand



Size	G	H	F	Weight
2	9 ¹ / ₂	3 ³ / ₄	15	10.0

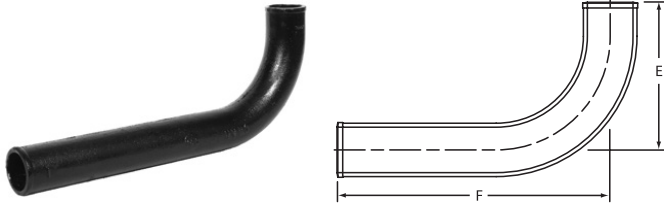
PART NO. EZS 38R
Vented Tub Wye
Right Hand



Size	G	H	F	Weight
2	9 ¹ / ₂	3 ³ / ₄	15	9.0

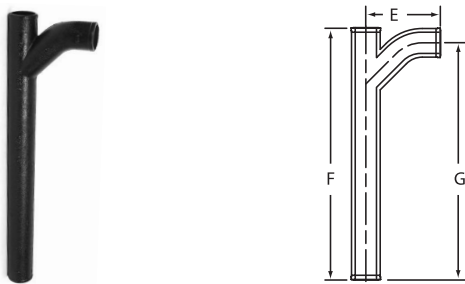
Multi-Story Hubless Extended Fittings

PART NO. EZS 14
Extended Short Sweep



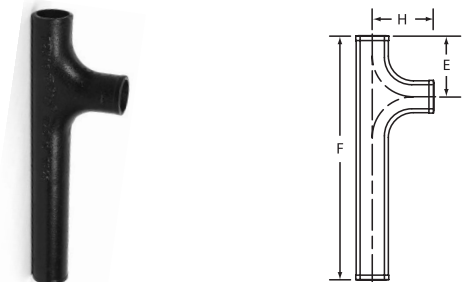
Size	E	F	Weight
2 x 18	6½	18	8.0
2 x 24	6½	24	11.0
2 x 34	6½	34	13.9

PART NO. EZS 15
Extended Combination



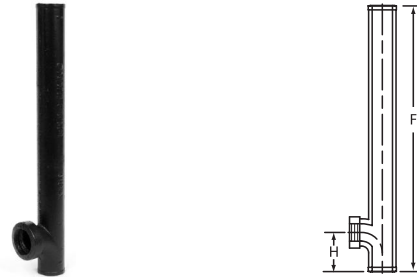
Size	E	F	G	Weight
2 x 24	6¾	25¾	24	12.0
2 x 36	6¾	36	34¾	15.4

PART NO. EZS 16
2" Two-Way Sanitary Tee



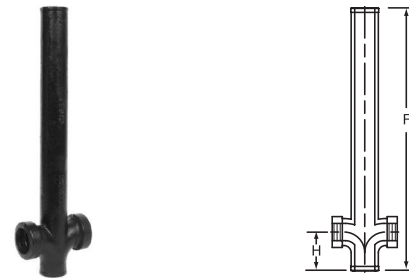
Size	E	H	F	Weight
2 x 18	4½	4½	18	7.8
2 x 24	4½	4½	24	10.4
2 x 36	4½	4½	36	15.6

PART NO. EZS 17
2" x 22⅞" Extended Tapped Sanitary Tee



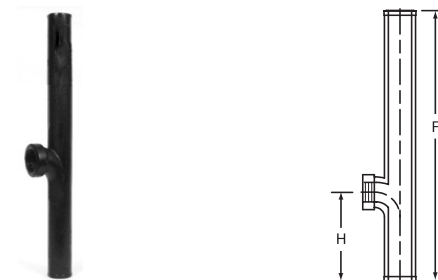
Size	H	F	Weight
2 x 1½ x 22⅞	¾	22⅞	9.6
2 x 2 x 22⅞	¾	22⅞	9.2

PART NO. EZS 18
2" x 22⅞" Extended Tapped Sanitary Cross



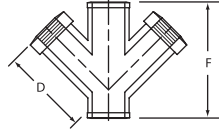
Size	H	F	Weight
2 x 1½ x 22⅞	¾	22⅞	10.0
2 x 2 x 22⅞	¾	22⅞	11.9

PART NO. EZS 27
Sanitary Tapped Tee



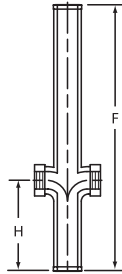
Size	H	F	Weight
2 x 1½ x 31	11¼	31	12.6
2 x 2 x 31	11¼	31	13.6

PART NO. NH 27
Tapped Double Wye



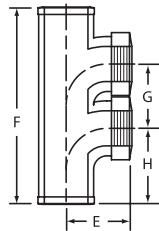
Size	D	F	Weight
2 x 1 1/2	5 1/16	6 5/8	5.6

PART NO. EZS 28
Sanitary Tapped Cross



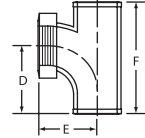
Size	H	F	Weight
2 x 1 1/2 x 31	11 1/4	31	15.0
2 x 2 x 31	11 1/4	31	15.0

PART NO. NH 35B
Double Vertical Sanitary Tapped Tee



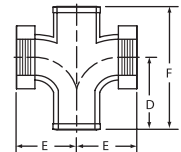
Size	E	F	G	H	Weight
2 x 1 1/2	2 13/16	9 3/4	4 1/2	3 1/4	4.8

PART NO. NH 34
Sanitary Tapped Tee



Size	D	E	F	Weight
1 1/2 x 1 1/4	3 1/4	2 9/16	5 11/16	2.3
1 1/2 x 1 1/2	3 1/4	2 9/16	5 11/16	2.5
2 x 1 1/4	3 1/4	2 13/16	5 11/16	2.8
2 x 1 1/2	3 1/4	2 13/16	5 11/16	3.1
2 x 2	3 3/4	3 1/16	6 3/8	3.8
3 x 1 1/4	3 1/4	3 5/16	5 11/16	3.7
3 x 1 1/2	3 1/4	3 5/16	5 11/16	3.6
3 x 2	3 3/4	3 9/16	6 3/8	4.9
3 x 3	4 7/8	4 1/8	8	7.3
4 x 1 1/4	3 1/4	3 13/16	5 11/16	4.0
4 x 1 1/2	3 1/4	3 3/4	5 11/16	4.8
4 x 2	3 3/4	4 1/16	6 3/8	5.8
4 x 3	4 1/2	4 3/8	8	8.4
5 x 1 1/2	3 3/4	4 5/16	7 3/16	6.5
5 x 2	4 1/4	4 9/16	8	9.3
6 x 1 1/2	3 3/4	4 13/16	6 3/4	8.4
6 x 2	4 1/4	5 1/16	7 7/16	9.2

PART NO. NH 35
Sanitary Tapped Cross



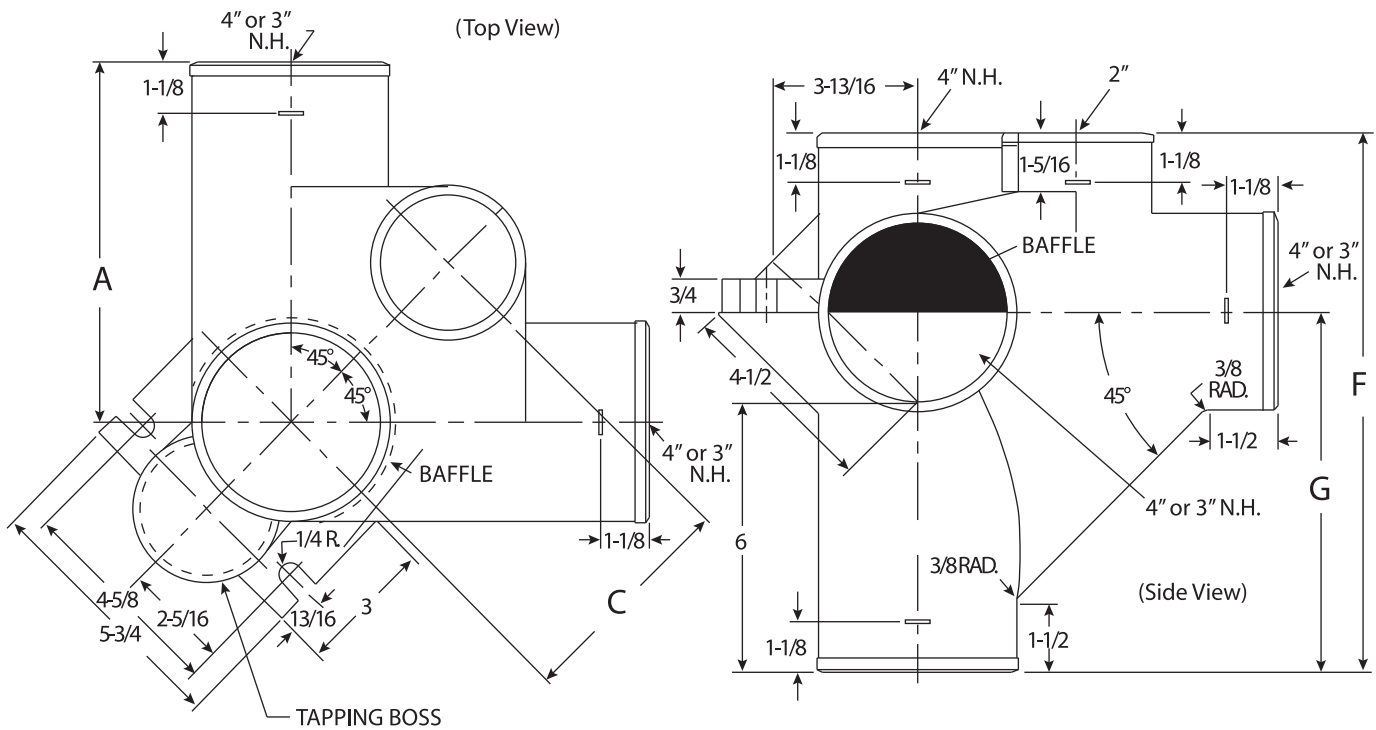
Size	D	E	F	Weight
1 1/2 x 1 1/2	3 1/4	2 9/16	5 11/16	3.4
2 x 1 1/4	3 1/4	2 13/16	5 11/16	3.9
2 x 1 1/2	3 1/4	2 13/16	5 11/16	4.0
2 x 2	3 3/4	3 1/16	6 3/8	5.3
3 x 1 1/2	3 1/4	3 5/16	5 11/16	4.3
3 x 2	3 3/4	3 9/16	6 3/8	6.1
4 x 1 1/2	3 1/4	3 3/4	5 11/16	5.5
4 x 2	3 3/4	4 1/16	6 3/8	6.9

Multi-Story Hubless Fixture Fittings

PART NO. NH 502

4" No Hub Prison Fitting with 2" Top Vent

(Designed for use above the floor; Baffle helps prevent passage of contraband between cells.)

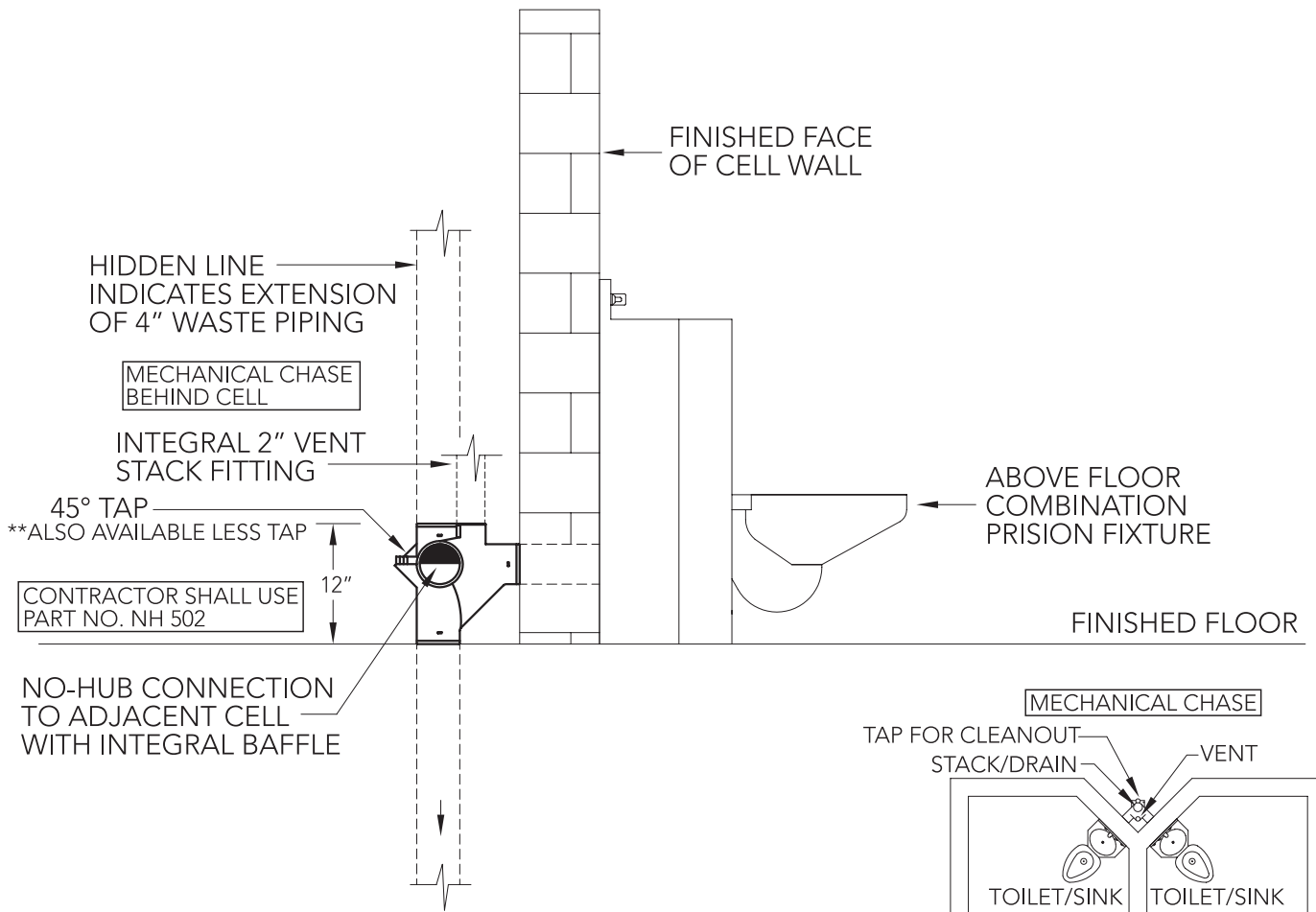


Part No.	Size	UPC# 611942-	A	C	F	G	Weight
NH 502	4 Less Tap	00639	8	5 1/4	12	8	20.3
NH 502	4 With Tap	00640	8	5 1/4	12	8	20.8
NH 502	4x3 Less Tap	11119	8	5 1/4	12	8	23.4
NH 502	4x3 With Tap	11120	8	5 1/4	12	8	23.4

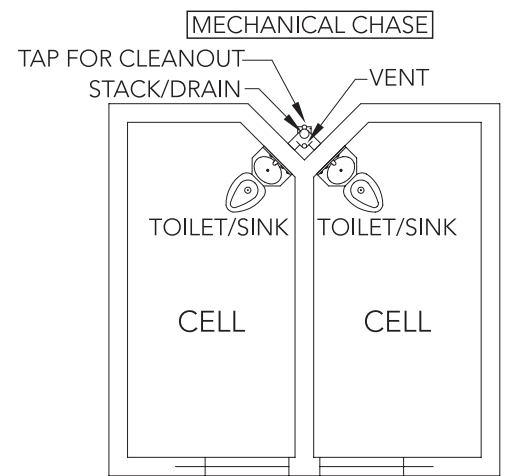
PART NO. NH 502

Detail Drawing

4" No Hub Prison Fitting with 2" Top Vent and 2" 45° Tap Service for Two Cells at 45° Angle



LEFT SIDE ELEVATION



PLAN VIEW
NOT TO SCALE

⚠ WARNING

Testing with or use of compressed air or gas in Cast Iron pipe or fittings can result in explosive failures and cause severe injury or death.

AIR/GAS

- NEVER test with or transport/store compressed air or gas in Cast Iron pipe or fittings.
- NEVER test Cast Iron pipe or fittings with compressed air or gas.
- ONLY use Cast Iron pipe and fittings for drain, waste and vent or sanitary sewer applications.

PART NO. EZS 6*

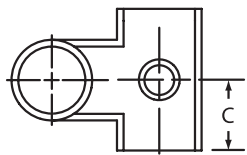
Figure Six

(Double, Left Hand or Right Hand; Designed for use below the floor; Double fitting has a baffle)

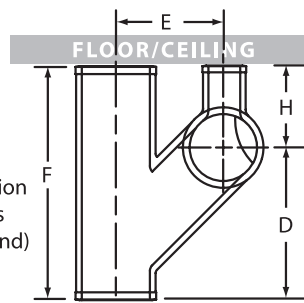
(Photos Show Double)



(Illustration Shows Double)



(Illustration Shows Right Hand)



Part No.	Size	C	D	E	F	H	Weight
EZS 6D**	3x2	4 ¹ / ₈	7 ⁹ / ₁₆	5 ¹ / ₁₆	11	3 ⁷ / ₁₆	13.0 N
EZS 6D**	4x2	4 ¹ / ₂	9	6 ¹ / ₂	13	4	23.1 N
EZS 6L	3x2	4 ¹ / ₈	7 ⁹ / ₁₆	5 ¹ / ₁₆	11	3 ⁷ / ₁₆	11.4 N
EZS 6L	4x2	4 ¹ / ₂	9	6 ¹ / ₂	13	4	18.0 N
EZS 6R	3x2	4 ¹ / ₈	7 ⁹ / ₁₆	5 ¹ / ₁₆	11	3 ⁷ / ₁₆	11.4 N
EZS 6R	4x2	4 ¹ / ₂	9	6 ¹ / ₂	13	4	18.0 N

*When ordering please specify Double, Left or Right.

** Double fitting has a baffle.

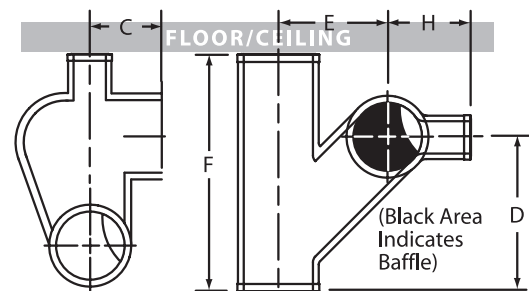
N = non-stock item – contact customer service for availability.

PART NO. EZS 8*

Figure Eight

(Double, Left Hand or Right Hand; Designed for use below the floor; Double fitting has a baffle)

(Photos Show Left Hand)



(Illustration Shows Right Hand)

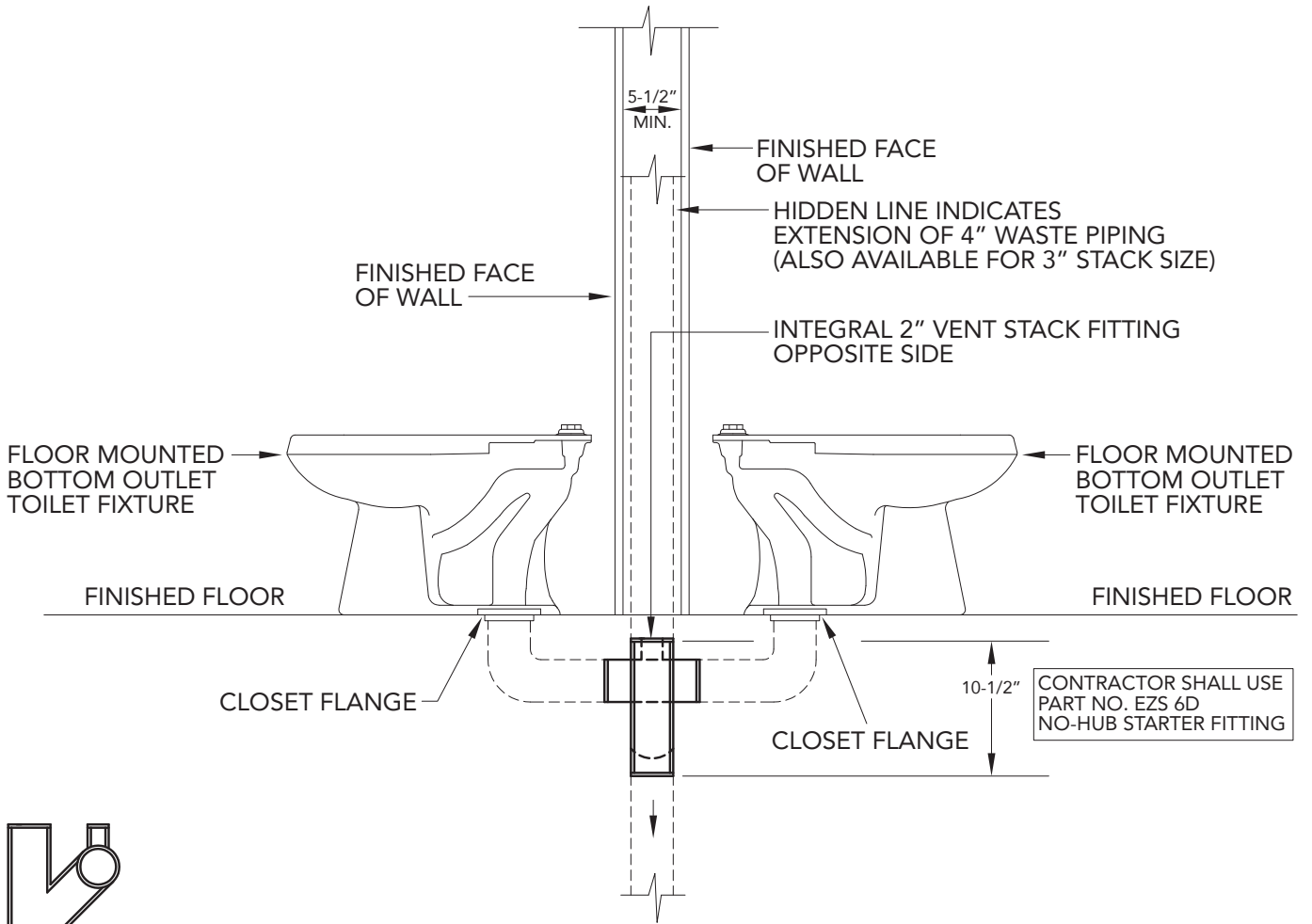
(Illustration Shows Double)

Part No.	Size	C	D	E	F	H	Weight
EZS 8D**	3x2	4 ¹ / ₈	7 ⁹ / ₁₆	5 ¹ / ₁₆	11	3 ⁷ / ₁₆	13.0 N
EZS 8L	3x2	4 ¹ / ₈	7 ⁹ / ₁₆	5 ¹ / ₁₆	11	3 ⁷ / ₁₆	12.5 N
EZS 8L	4x2	4 ¹ / ₂	9	6 ¹ / ₂	13	4	19.8 N
EZS 8R	3x2	4 ¹ / ₈	7 ⁹ / ₁₆	5 ¹ / ₁₆	11	3 ⁷ / ₁₆	12.5 N
EZS 8R	4x2	4 ¹ / ₂	9	6 ¹ / ₂	13	4	19.8 N

*When ordering please specify Double, Left or Right.

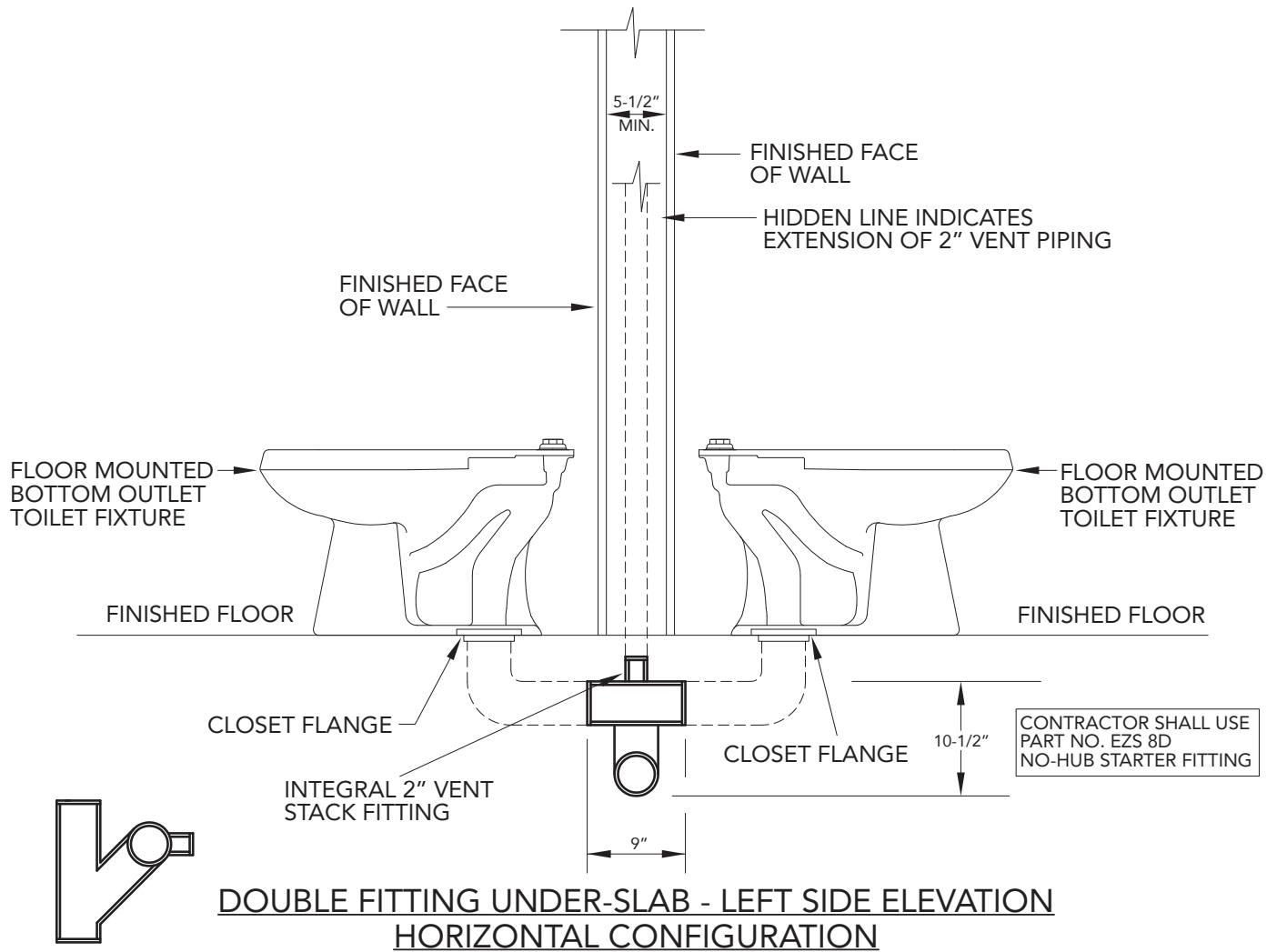
** Double fitting has a baffle.

PART NO. EZS 6D
Detail Drawing
4x2 Vented Closet Tee - Right Hand with 2" Top Vent

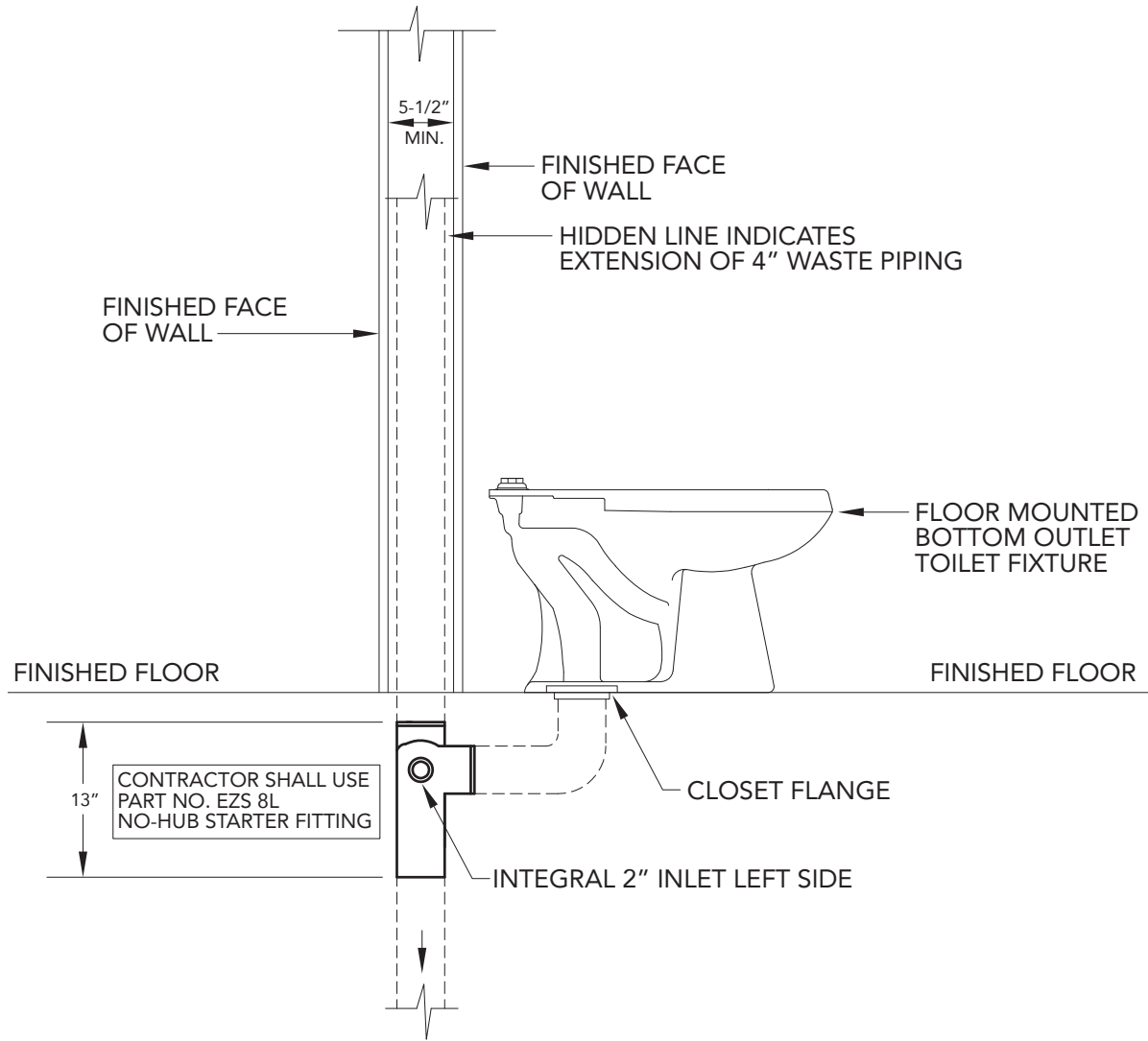


DOUBLE FITTING RIGHT HAND UNDER-SLAB - LEFT SIDE ELEVATION
VERTICLE CONFIGURATION

PART NO. EZS 8D
Detail Drawing
3x2 Double Figure 8 Fitting with 2" Vent



PART NO. EZS 8L
Detail Drawing
Vented Closet Tee - Left Hand with 2" Side Inlet

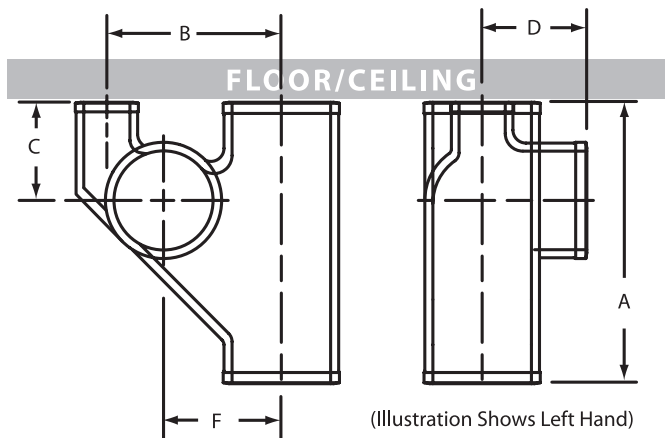


SINGLE FITTING LEFT HAND UNDER-SLAB - LEFT SIDE ELEVATION

PART NO. EZS 50

10" Closet Fittings with 2" Inlet
(Double, Left Hand or Right Hand; Designed for use below the floor; Fitting does not have a baffle)

(Photos Show Left Hand)

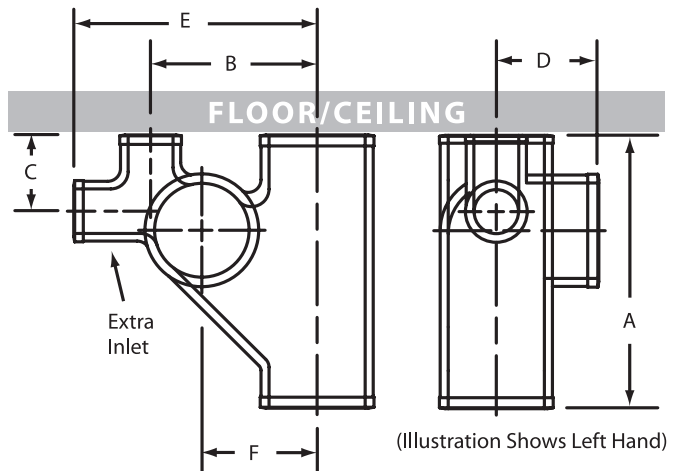


Part No.	Size	UPC# 611942-	A	B	C	D	F	Weight
EZS 50D	4	04484	10¾	6½	3¾	4	4½	15.0
EZS 50L	4	04476	10¾	6½	3¾	4	4½	12.3
EZS 50R	4	04477	10¾	6½	3¾	4	4½	12.2

PART NO. EZS 51

10" Closet Fittings with 2" Inlet and 2" Side Inlet
(Double, Left Hand or Right Hand; Designed for use below the floor; Fitting does not have a baffle)

(Photos Show Left Hand)

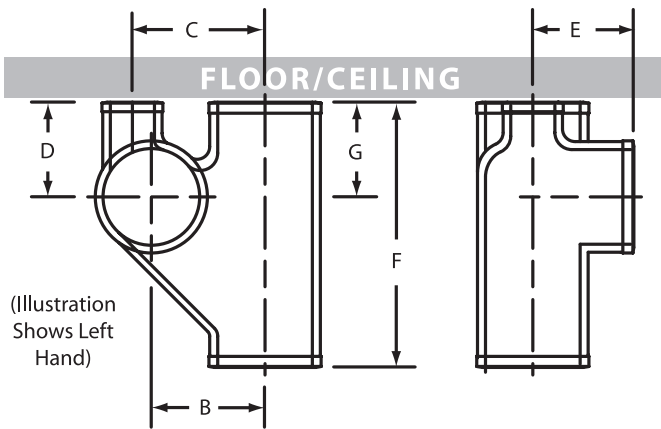


Part No.	Size	UPC# 611942-	A	B	C	D	E	F	Weight
EZS 51D	4	04424	10¾	6½	3	4	9½	4½	15.0
EZS 51L	4	04425	10¾	6½	3	4	9½	4½	12.8
EZS 51R	4	04473	10¾	6½	3	4	9½	4½	12.6

PART NO. NH 457

Vented Closet Tee with 2" Top Vent
(Left Hand or Right Hand; Designed for use below the floor;
Fitting does not require a baffle)

(Photos Show Left Hand)

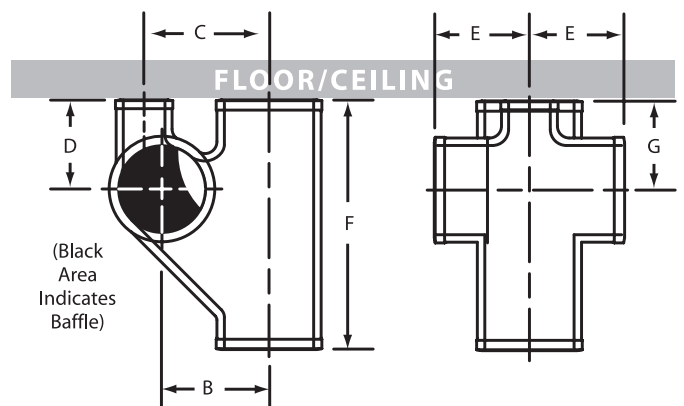


Size	B	C	D	E	F	G	Wt.
4x4x2x4(L)	4¼	5¼	3¾	4	10½	3¾	12.1
4x4x2x4(R)	4¼	5¼	3¾	4	10½	3¾	11.6

PART NO. NH 463

Vented Closet Cross with 2" Top Vent
(Designed for use below the floor; Fitting has a baffle)

(Gray Area
Indicates Baffle)

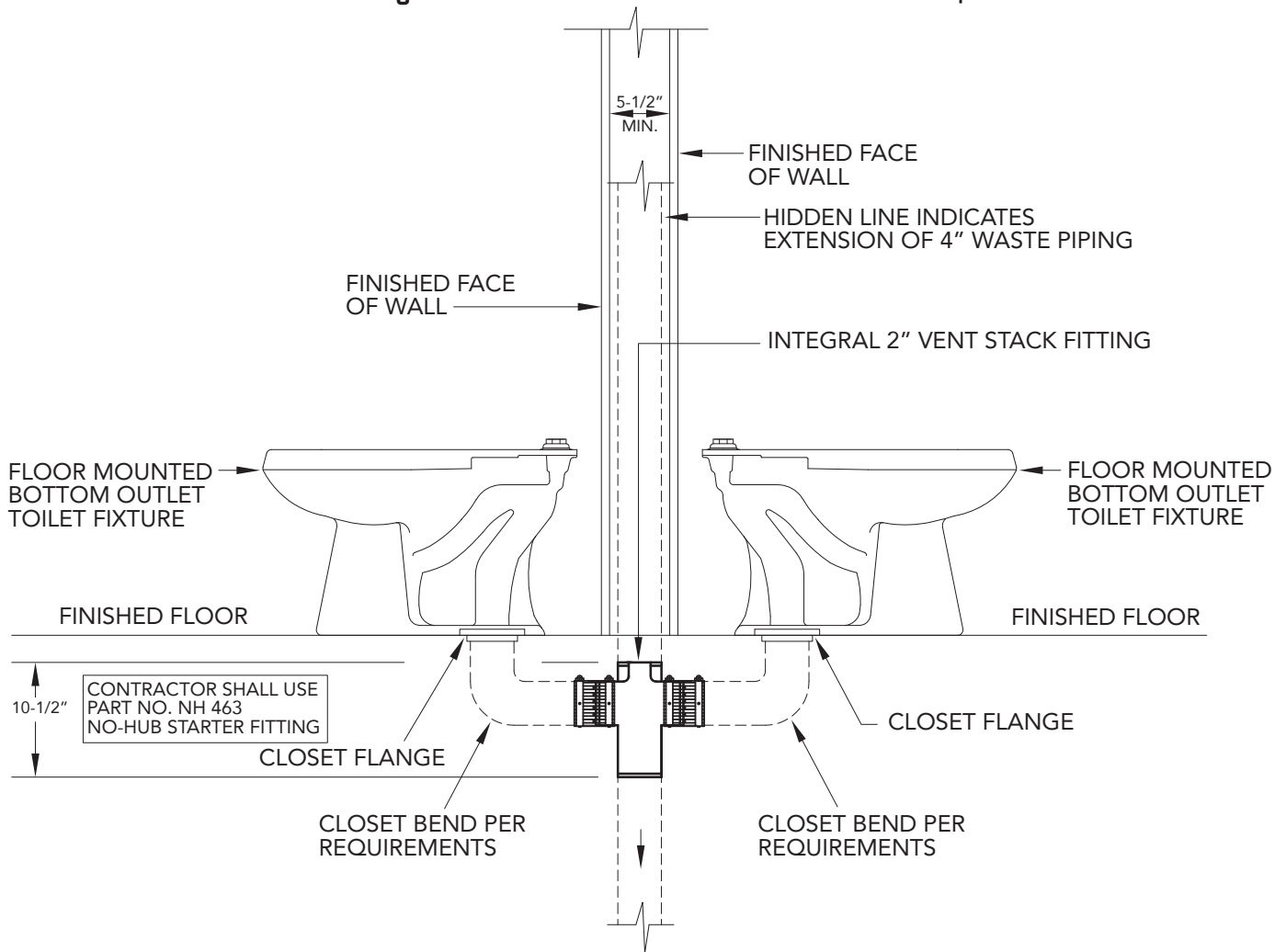


Size	B	C	D	E	F	G	Wt.
4x4x2x4x4	4¼	5¼	3¾	4	10½	3¾	15.0

Double fittings are equipped with Baffles to prevent blowback on back-to-back installations of back-outlet toilets.

PART NO. NH 463

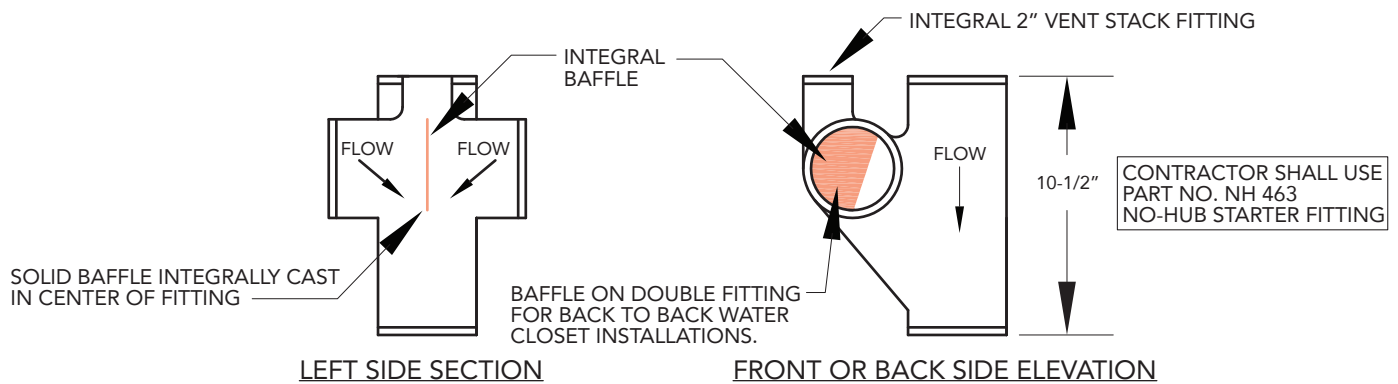
Detail Drawing - 4x4x2x4x4 Vented Closet Cross with 2" Top Vent



DOUBLE FITTING UNDER-SLAB - LEFT SIDE ELEVATION

PART NO. NH 463

Baffle Detail Drawing - 4x4x2x4x4 Vented Closet Cross with 2" Top Vent

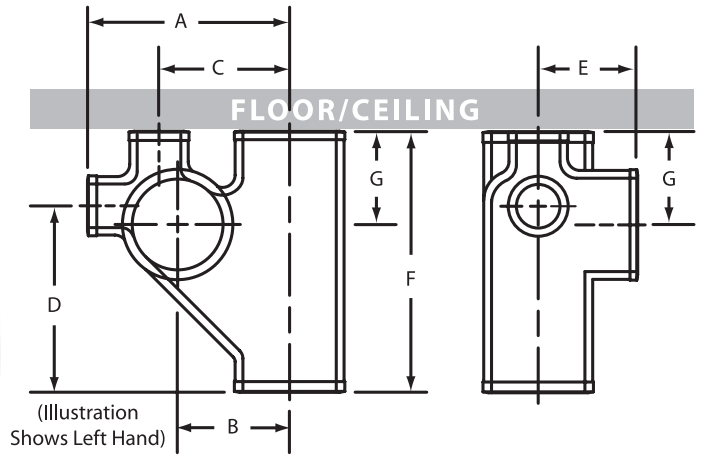


PART NO. NH 458

Vented Closet Tee with 2" Top Vent and 2" Side Inlet

(Left Hand or Right Hand; Designed for use below the floor; Fitting does not require a baffle)

(Photos Show Left Hand)



Size	A	B	C	D	E	F	G	Wt.
4x4x2x2x4(L)	8 ¹ / ₈	4 ¹ / ₄	5 ¹ / ₄	7 ¹ / ₂	4	10 ¹ / ₂	3 ³ / ₄	12.3
4x4x2x2x4(R)	8 ¹ / ₈	4 ¹ / ₄	5 ¹ / ₄	7 ¹ / ₂	4	10 ¹ / ₂	3 ³ / ₄	12.2

ORDERING EZS CLOSET FITTINGS
SERIES 50, 100, 400, 700, 800

These No-Hub closet fittings can be ordered with Left hand, Right hand or Double closet inlets, and with 2" sanitary inlets at various heights on either side of the fitting. They can be ordered with an additional inlet (see illustrations) by adding a "1" after the first digit of the Series Number, i.e. 51, 110, 210, etc.

To order, show the above information as follows:

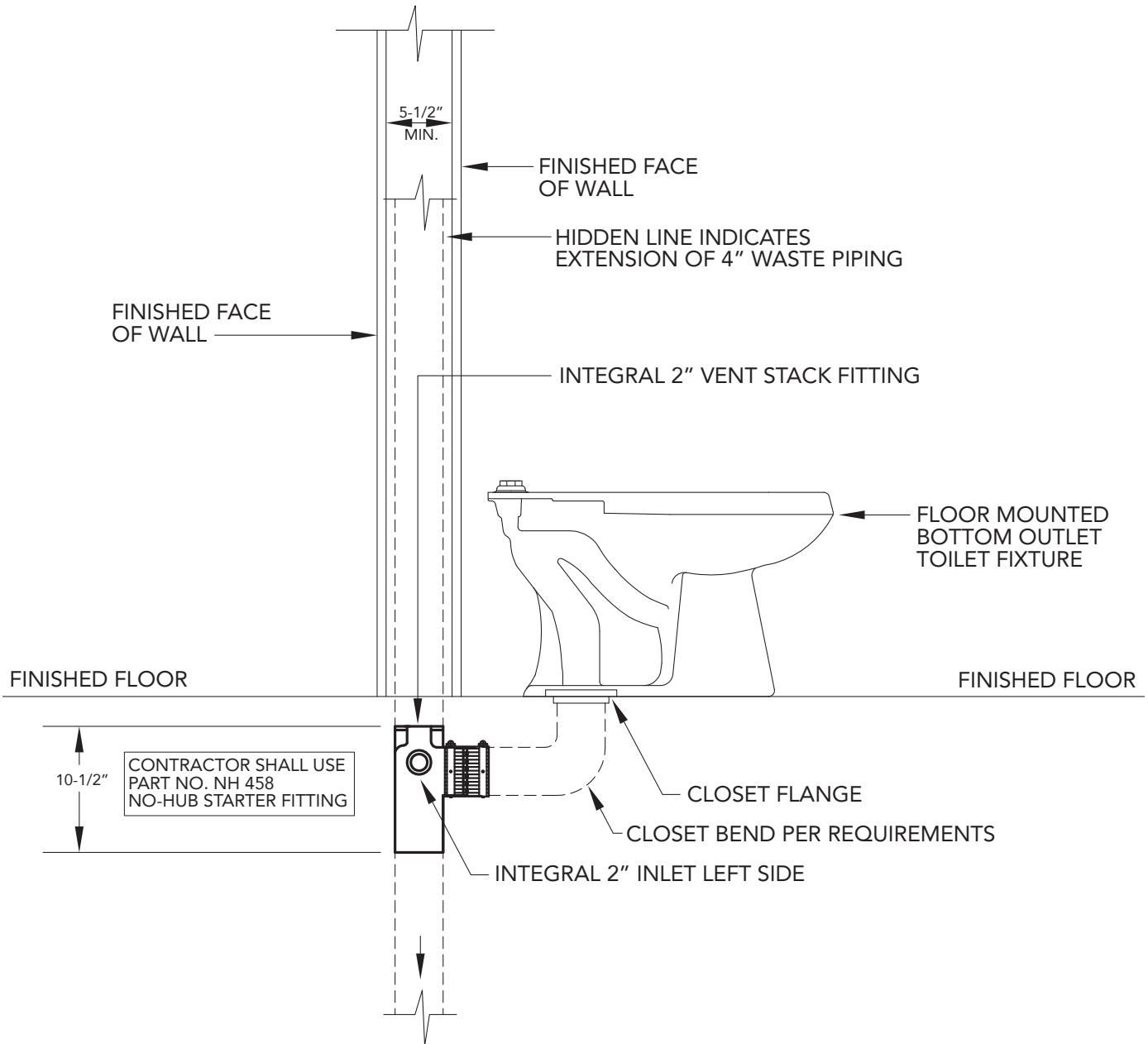


Example: If you were ordering a Left hand Series 100 fitting with one sanitary inlet at 13" on the "B" side of the fitting, you would write

EZS 100 L M 0 B 13 or with the extra inlet, **EZS 110 L M 0 B 13**

M & B dimensions must be measured from the bottom of the fitting.

PART NO. NH 458
Detail Drawing
4x4x2x2x4 Vented Closet Tee/Left Hand with 2" Top Vent and 2" Side Inlet

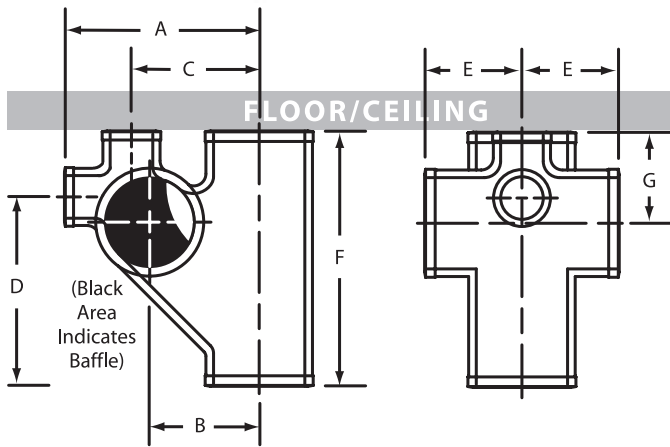


SINGLE FITTING LEFT HAND UNDER-SLAB - LEFT SIDE ELEVATION

PART NO. NH 464
Vented Closet Cross with 2" Top Vent
and 2" Side Inlet
(Designed for use below the floor; Fitting has a baffle)



(Gray Area Indicates Baffle)



Size	A	B	C	D	E	F	G	Wt.
4x4x2x2x4x4	8 1/8	4 1/4	5 1/4	7 1/2	4	10 1/2	3 3/4	15.6

HOW TO DETERMINE RIGHT or LEFT HAND CLOSET FITTING



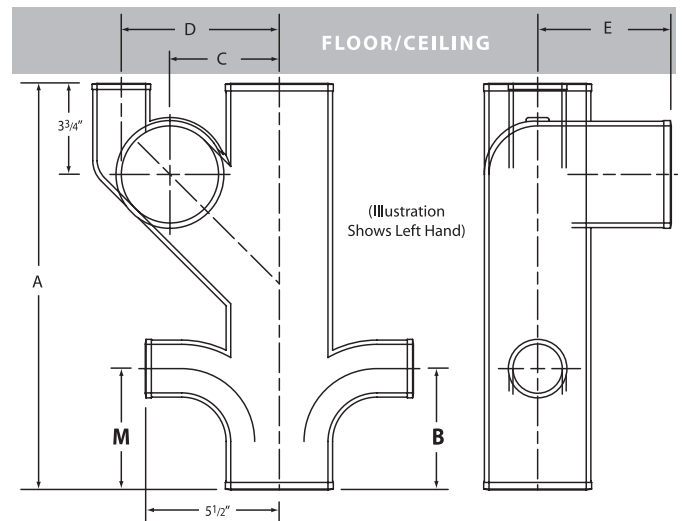
To determine if whether a closet fitting is a right hand or left hand configuration, stand the fitting up with the closet inlet facing you. If the opening is on your left, it is a **Left Hand** fitting. If the opening is on your right, it is a **Right Hand** fitting. Right Hand and Left Hand configurations do not apply for Double fittings.

(Right Hand Closet Fitting Illustrated)

Multi-Story Hubless Starter Fittings

PART NO. EZS 100*
16" Closet Fittings with 2" Inlets
(Double, Left Hand or Right Hand;
Designed for use below the floor)

(Photos Show Left Hand)



M & B dimensions must be measured from the bottom of the fitting.

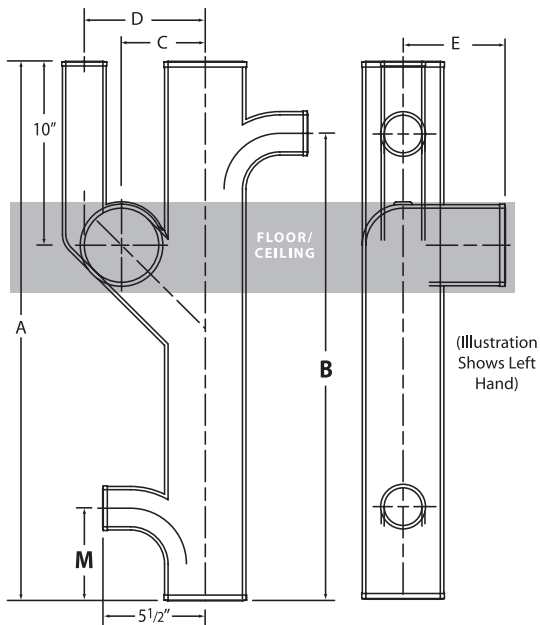
Part No.	Size	A	B	C	D	E	M	Weight
EZS 100D	4x16	16 3/4	5	4 1/2	6 1/2	5 1/2	5	22.0 N
EZS 100L	4x16	16 3/4	5	4 1/2	6 1/2	5 1/2	5	20.0 N
EZS 100R	4x16	16 3/4	5	4 1/2	6 1/2	5 1/2	5	21.1 N

*When ordering please specify Double, Left or Right.

N = non-stock item – contact customer service for availability.

PART NO. EZS 400*
30'' Closet Fittings with 2'' Inlet
(Double, Left Hand or Right Hand; Designed for use in the floor)

(Photos Show
Left Hand)



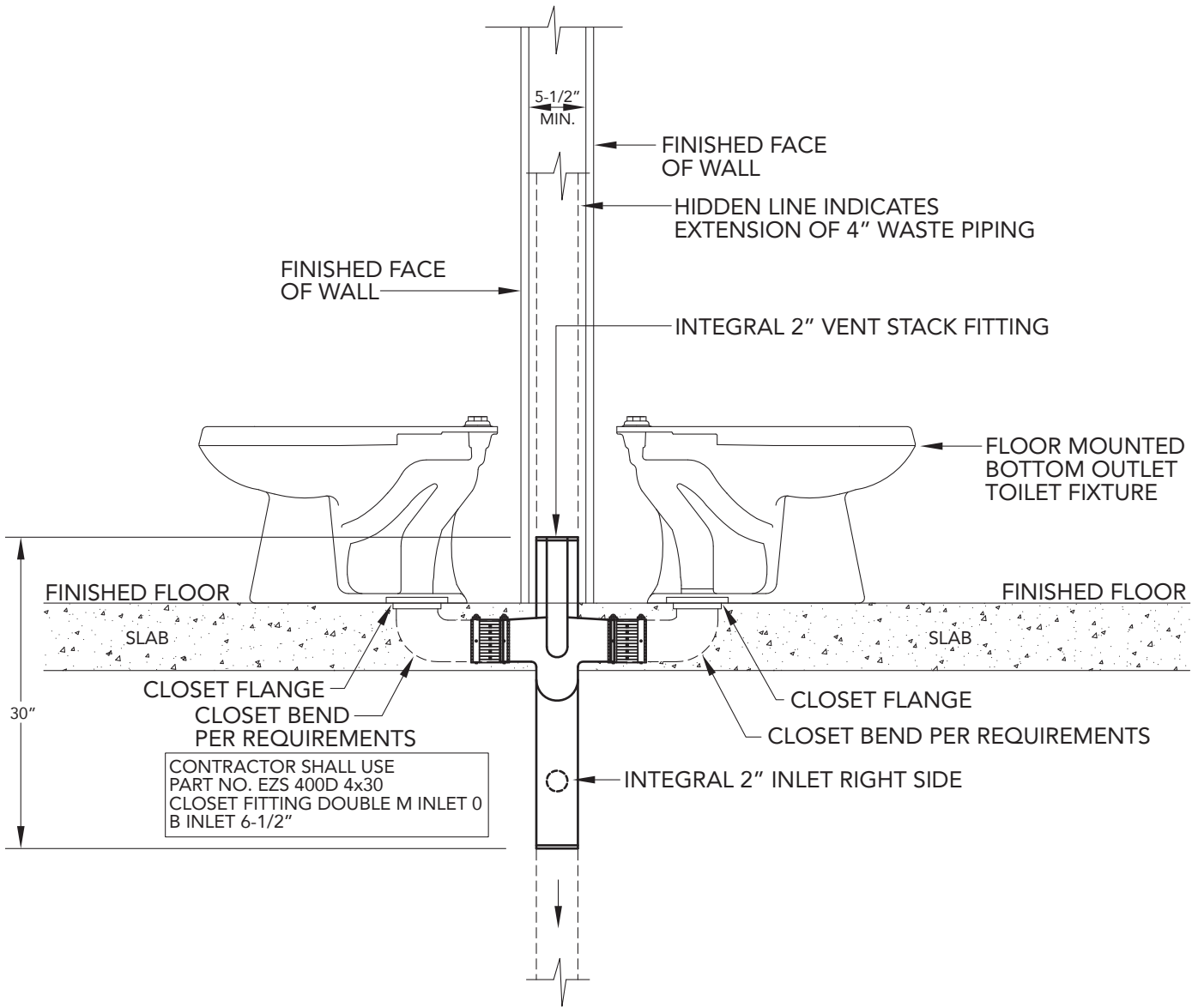
M & B dimensions must be measured from the bottom of the fitting.

Part No.	Size	A	B	C	D	E	M	Weight	
EZS 400L	4x30	30	0	4 1/2	6 1/2	5 1/2	0	34.0	N
EZS 400L	4x30	30	6 1/2	4 1/2	6 1/2	5 1/2	0	34.2	N
EZS 400L	4x30	30	12	4 1/2	6 1/2	5 1/2	0	37.8	N
EZS 400L	4x30	30	26 1/2	4 1/2	6 1/2	5 1/2	0	34.3	N
EZS 400L	4x30	30	0	4 1/2	6 1/2	5 1/2	4	34.0	N
EZS 400L	4x30	30	26 1/2	4 1/2	6 1/2	5 1/2	4	34.0	N
EZS 400L	4x30	30	0	4 1/2	6 1/2	5 1/2	6 1/2	33.1	N
EZS 400L	4x30	30	6 1/2	4 1/2	6 1/2	5 1/2	6 1/2	34.0	N
EZS 400L	4x30	30	26 1/2	4 1/2	6 1/2	5 1/2	6 1/2	36.8	N
EZS 400L	4x30	30	0	4 1/2	6 1/2	5 1/2	12	31.0	N
EZS 400L	4x30	30	26 1/2	4 1/2	6 1/2	5 1/2	12	30.0	N
EZS 400R	4x30	30	0	4 1/2	6 1/2	5 1/2	0	32.9	N
EZS 400R	4x30	30	6 1/2	4 1/2	6 1/2	5 1/2	0	34.5	N
EZS 400R	4x30	30	12	4 1/2	6 1/2	5 1/2	0	37.1	N
EZS 400R	4x30	30	26 1/2	4 1/2	6 1/2	5 1/2	0	33.8	N
EZS 400R	4x30	30	0	4 1/2	6 1/2	5 1/2	4	34.0	N
EZS 400R	4x30	30	26 1/2	4 1/2	6 1/2	5 1/2	4	28.9	N
EZS 400R	4x30	30	0	4 1/2	6 1/2	5 1/2	6 1/2	33.9	N
EZS 400R	4x30	30	6 1/2	4 1/2	6 1/2	5 1/2	6 1/2	35.4	N
EZS 400R	4x30	30	26 1/2	4 1/2	6 1/2	5 1/2	6 1/2	35.4	N
EZS 400R	4x30	30	0	4 1/2	6 1/2	5 1/2	12	31.0	N
EZS 400R	4x30	30	26 1/2	4 1/2	6 1/2	5 1/2	12	28.5	N
EZS 400D	4x30	30	0	4 1/2	6 1/2	5 1/2	0	29.3	N
EZS 400D	4x30	30	6 1/2	4 1/2	6 1/2	5 1/2	0	36.4	N
EZS 400D	4x30	30	12	4 1/2	6 1/2	5 1/2	0	39.6	N
EZS 400D	4x30	30	0	4 1/2	6 1/2	5 1/2	4	38.0	N
EZS 400D	4x30	30	0	4 1/2	6 1/2	5 1/2	6 1/2	35.6	N
EZS 400D	4x30	30	26 1/2	4 1/2	6 1/2	5 1/2	6 1/2	38.9	N
EZS 400D	4x30	30	0	4 1/2	6 1/2	5 1/2	12	35.7	N
EZS 400D	4x30	30	26 1/2	4 1/2	6 1/2	5 1/2	12	38.0	N

*When ordering please specify Double, Left or Right.

N = non-stock item – contact customer service for availability.

PART NO. EZS 400D
Detail Drawing
4x30 Closet Fitting Double - M Inlet 0 B Inlet 6-1/2"

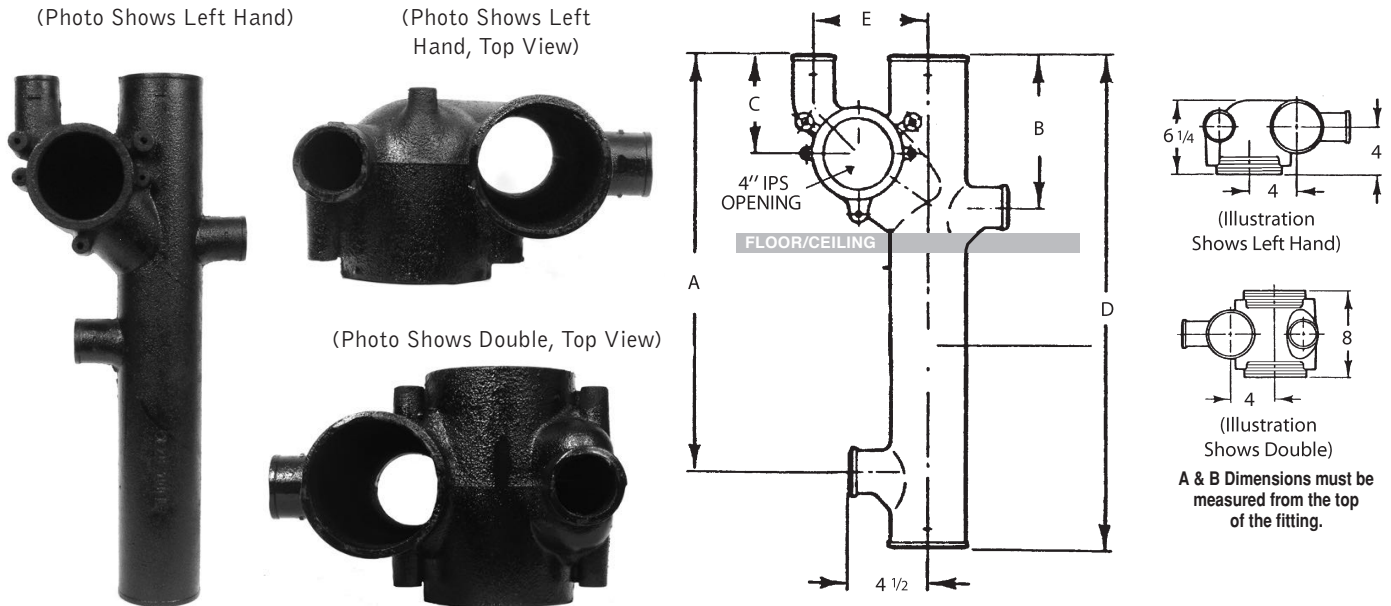


DOUBLE FITTING IN-SLAB - LEFT SIDE ELEVATION

PART NO. EZS 700

Threaded Starter Fitting with or without 2" No-Hub Inlets

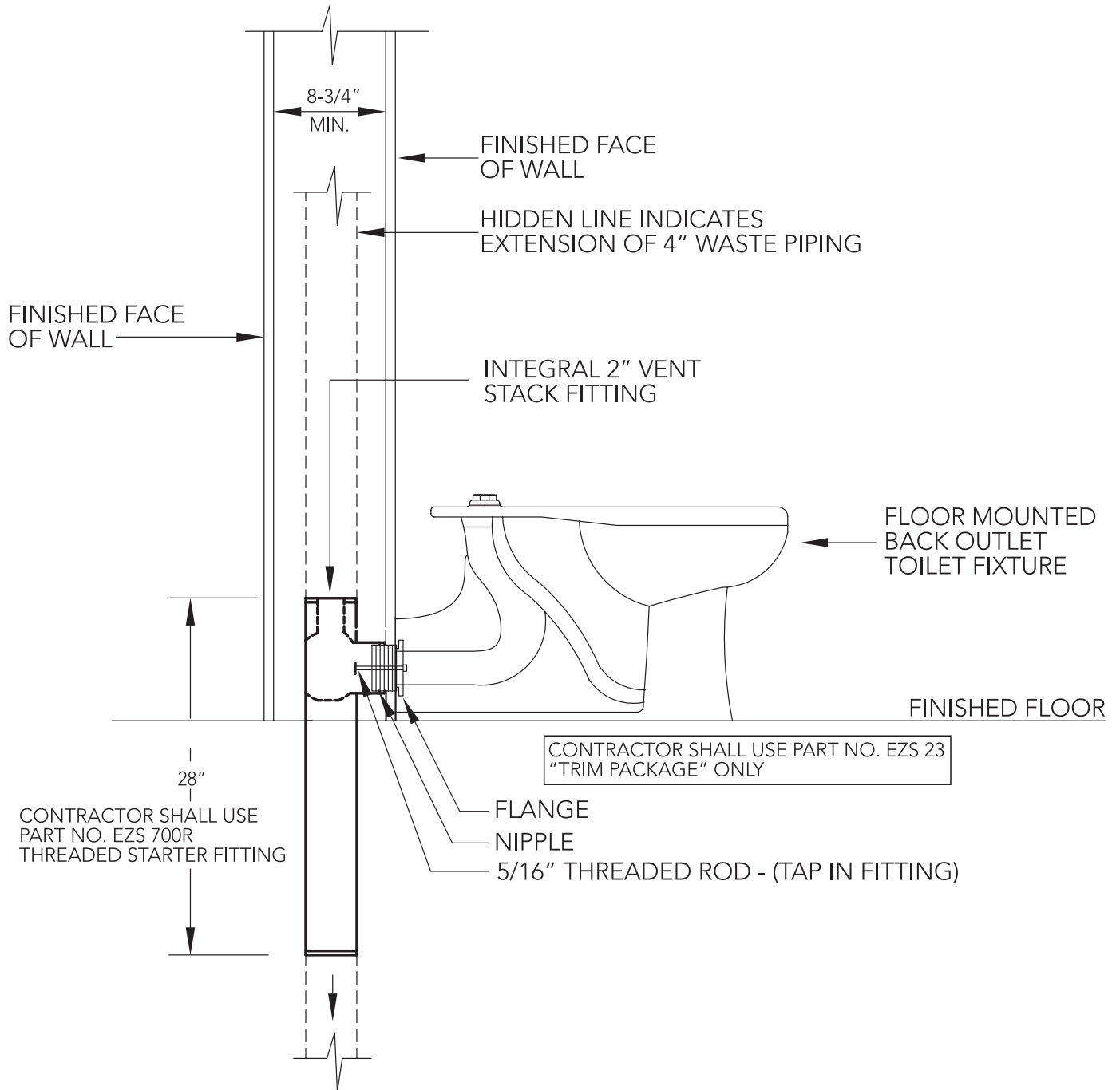
(Double, Left Hand or Right Hand; Designed for use above the floor with back-outlet water closets; Double starter fittings have a baffle)



Part No.	Size	A	B	C	D	E	Weight
EZS 700D**	4x28	0	0	5½	28	6½	40.0
EZS 700D**	4x28	0	8½	5½	28	6½	42.0
EZS 700D**	4x28	23½	8½	5½	28	6½	42.0
<hr/>							
EZS 700L	4x28	0	0	5½	28	6½	34.6
EZS 700L	4x28	0	8½	5½	28	6½	35.7
EZS 700L	4x28	14	8½	5½	28	6½	36.3
EZS 700L	4x28	23½	8½	5½	28	6½	32.0
<hr/>							
EZS 700R	4x28	0	0	5½	28	6½	30.0
EZS 700R	4x28	0	8½	5½	28	6½	34.0
EZS 700R	4x28	14	8½	5½	28	6½	35.3
EZS 700R	4x28	23½	8½	5½	28	6½	32.0

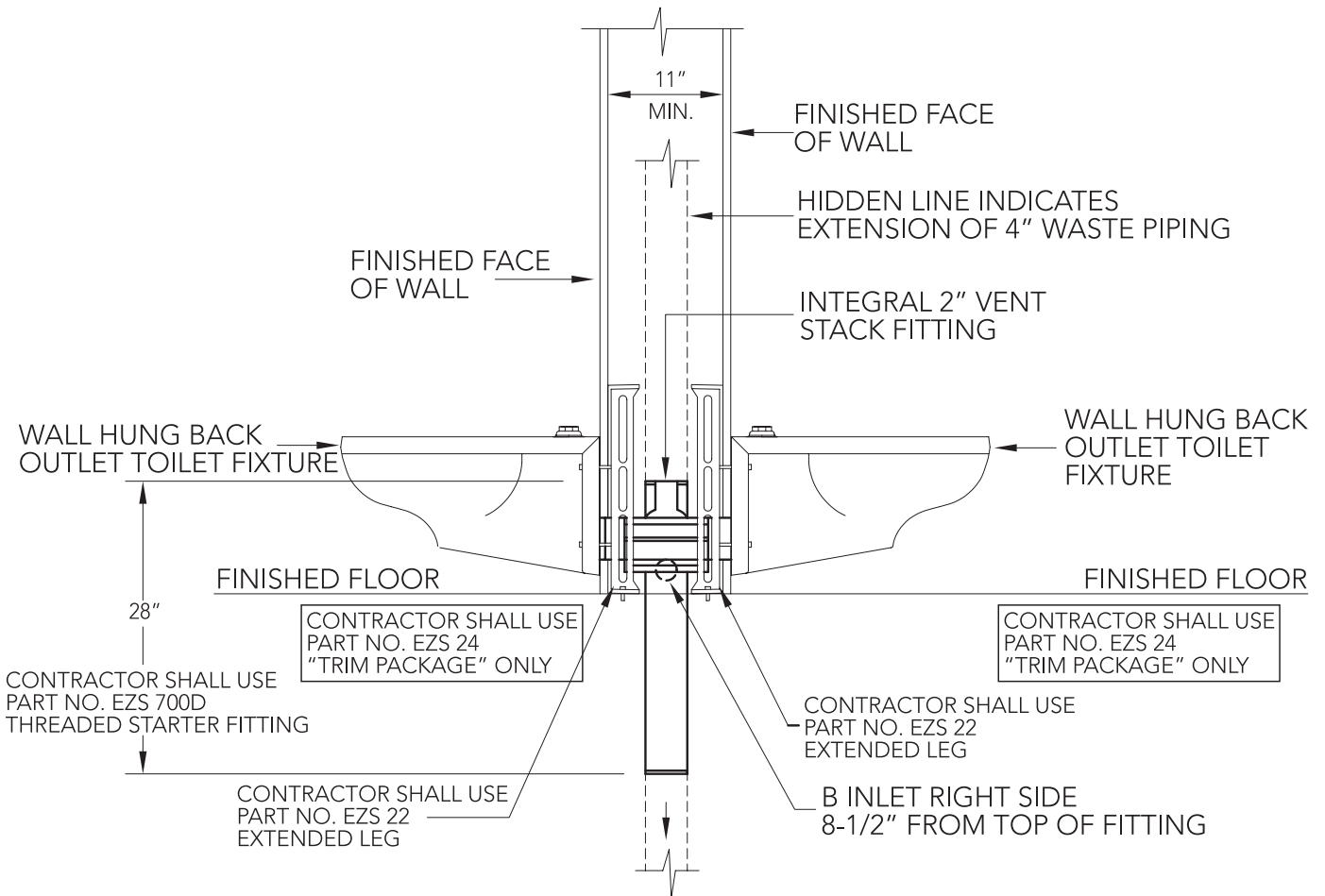
**Double starter fitting has a baffle.

PART NO. EZS 700R
Detail Drawing
4x28 Threaded Right Hand - A Inlet 0; B Inlet 0
with EZS 23 Trim Package



RIGHT HAND FITTING - LEFT SIDE ELEVATION

PART NO. EZS 700D
Detail Drawing
4x28 Threaded Double - A Inlet 0; B Inlet 8 1/2"
with EZS 22 Support Frame and EZS 24 Trim Package



DOUBLE FITTING - LEFT SIDE ELEVATION

PART NO. EZS 800

Threaded Starter Fitting with or without 2" No-Hub Inlets

[Double, Left Hand or Right Hand; Designed for use above the floor with back-outlet water closets; Double starter fittings have a baffle]

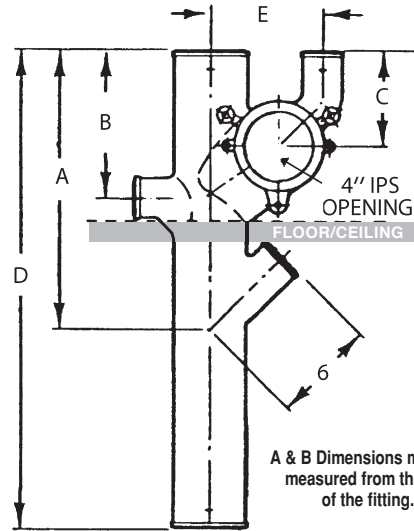
(Photo Shows Right Hand)



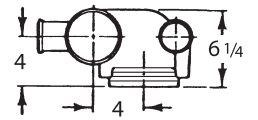
(Photo Shows Right Hand, Top View)



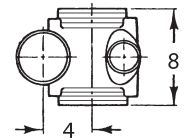
(Photo Shows Double, Top View)



A & B Dimensions must be measured from the top of the fitting.



(Illustration Shows Right Hand)



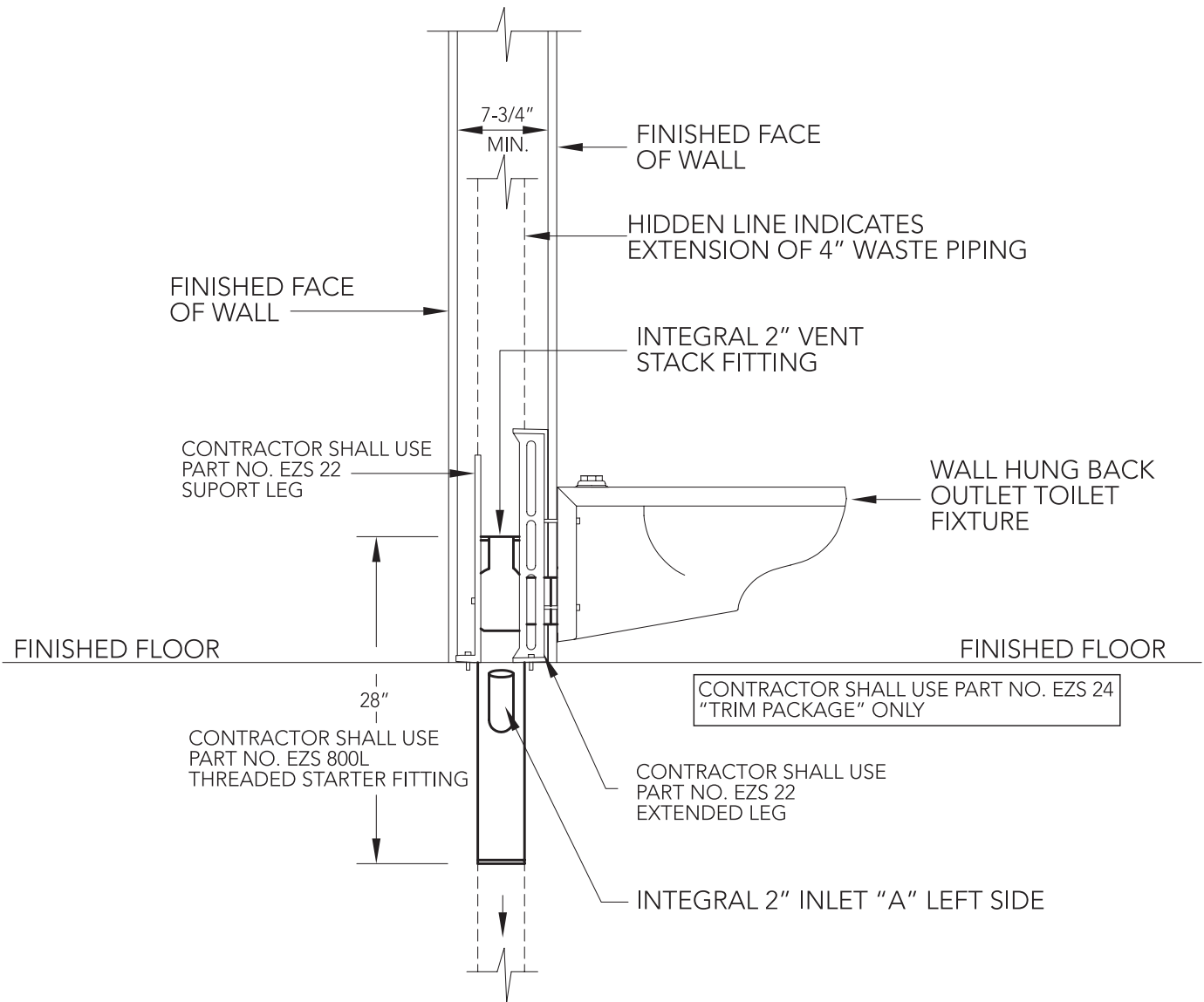
(Illustration Shows Double)

Part No.	Size	A	B	C	D	E	Weight
EZS 800D**	4x28	16	0	5½	28	6½	42.0
EZS 800D**	4x28	16	8½	5½	28	6½	42.0
EZS 800L	4x28	16	0	5½	28	6½	35.4
EZS 800L	4x28	16	8½	5½	28	6½	36.3
EZS 800R	4x28	16	0	5½	28	6½	35.6
EZS 800R	4x28	16	8½	5½	28	6½	35.3

**Double starter fitting has a baffle.

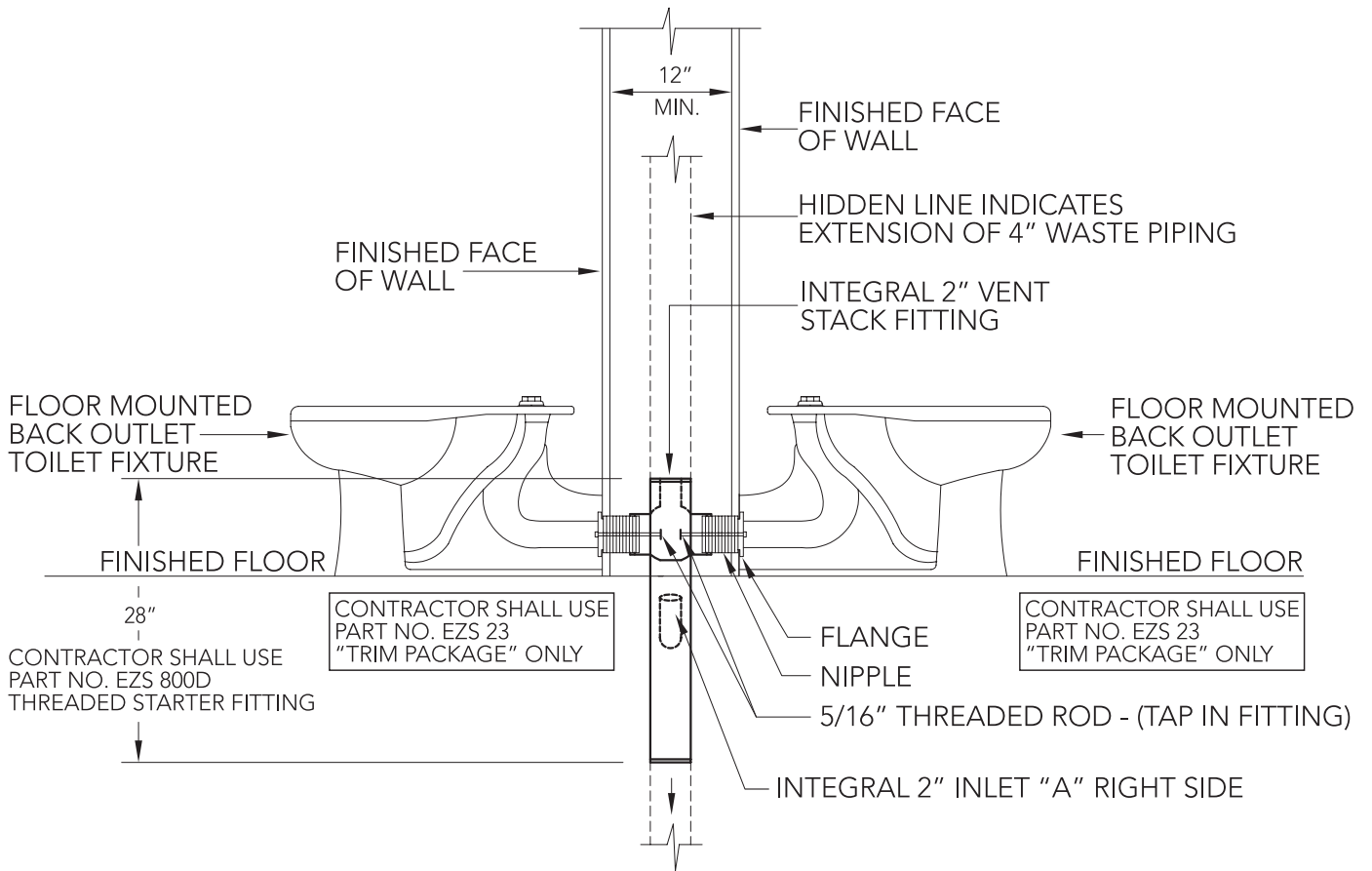
Note: "0" dimension denotes the absence of the designated inlet.

PART NO. EZS 800L
Detail Drawing
4x28 Threaded Left Hand - A Inlet 16; B Inlet 0
with EZS 22 Support Frame and EZS 24 Trim Package



LEFT HAND FITTING - LEFT SIDE ELEVATION

PART NO. EZS 800D
Detail Drawing
4x28 Threaded Double - A Inlet 16; B Inlet 0
with EZS 23 Trim Package



DOUBLE FITTING - LEFT SIDE ELEVATION

PART NO. EZS 710

No-Hub Starter Fitting with or without 2" No-Hub Inlets
(Double, Left Hand or Right Hand; Designed for use above the floor with back-outlet water closets; Double starter fittings have a baffle)

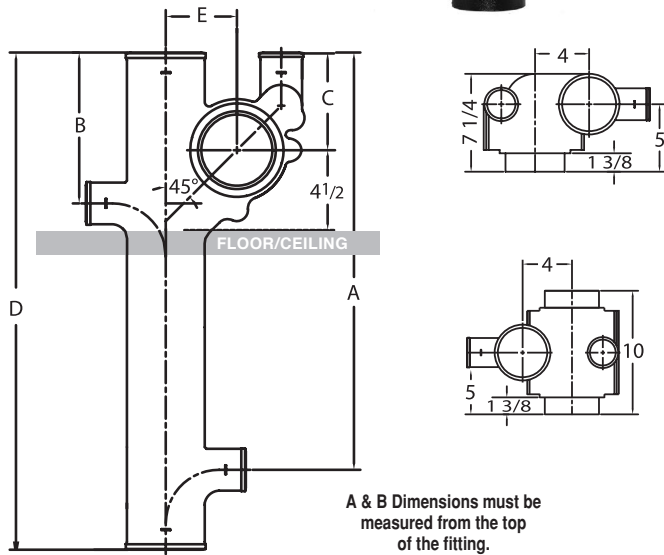
(Photo Shows Left Hand)



(Photo Shows Left Hand, Top View)



(Photo Shows Double, Top View)



Part No.	Size	A	B	C	D	E	Weight
EZS 710D**	4x28	0	0	5½	28	4	43.0
EZS 710D**	4x28	0	8½	5½	28	4	43.0
EZS 710D**	4x28	23½	8½	5½	28	4	43.0
EZS 710L	4x28	0	0	5½	28	4	36.6
EZS 710L	4x28	0	8½	5½	28	4	36.6
EZS 710L	4x28	14	8½	5½	28	4	36.6
EZS 710L	4x28	23½	8½	5½	28	4	36.6
EZS 710R	4x28	0	0	5½	28	4	36.6
EZS 710R	4x28	0	8½	5½	28	4	36.6
EZS 710R	4x28	14	8½	5½	28	4	36.6
EZS 710R	4x28	23½	8½	5½	28	4	36.6

**Double starter fitting has a baffle.
Note: Not designed for use with trim package.

PART NO. EZS 810

No-Hub Starter Fitting with or without 2" No-Hub Inlets
(Double, Left Hand or Right Hand; Designed for use above the floor with back-outlet water closets; Double starter fittings have a baffle)

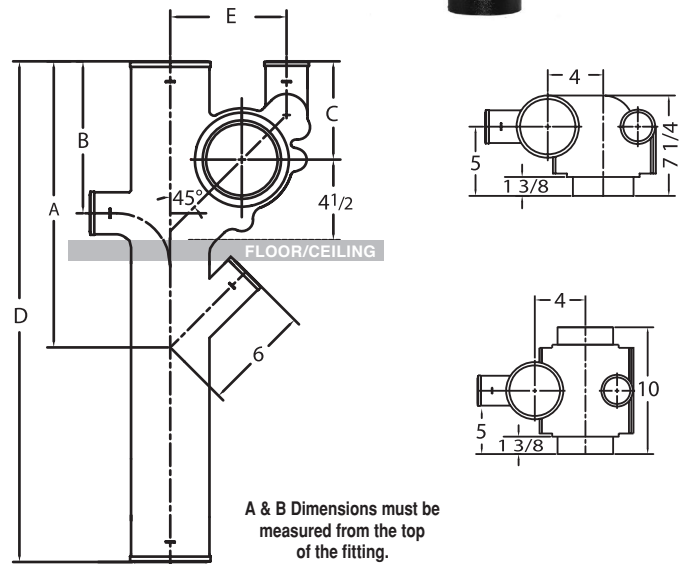
(Photo Shows Left Hand)



(Photo Shows Left Hand, Top View)



(Photo Shows Double, Top View)



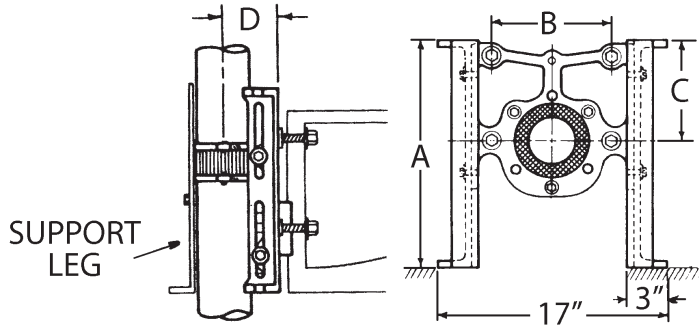
Part No.	Size	A	B	C	D	E	Weight
EZS 810D**	4x28	16	0	5½	28	6½	43.0
EZS 810D**	4x28	16	8½	5½	28	6½	43.0
EZS 810L	4x28	16	0	5½	28	6½	36.6
EZS 810L	4x28	16	8½	5½	28	6½	36.6
EZS 810R	4x28	16	0	5½	28	6½	36.6
EZS 810R	4x28	16	8½	5½	28	6½	36.6

**Double starter fitting has a baffle.
Note: "0" dimension denotes the absence of the designated inlet.
Note: Not designed for use with trim package.

PART NO. EZS 22

Trim Package, Support Frame Assembly

[Weight capacity for the EZS 22 Support Frame is 500 pounds maximum.]

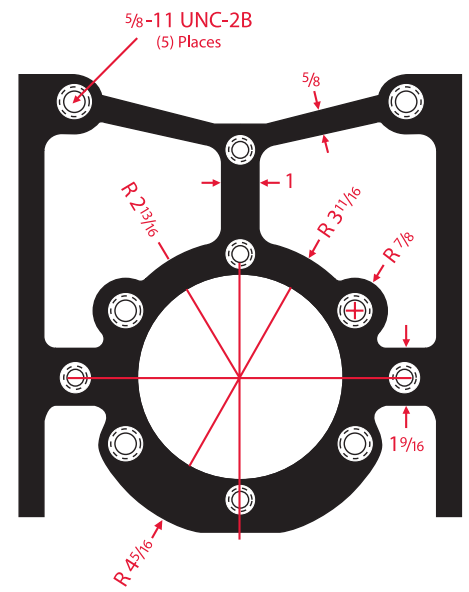
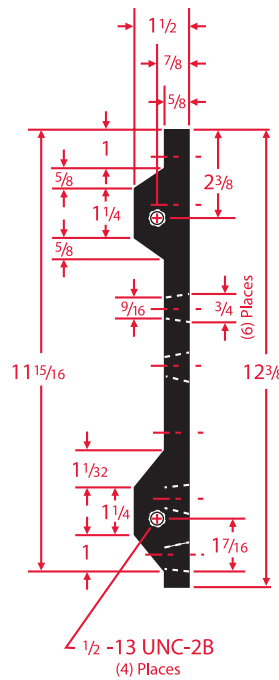
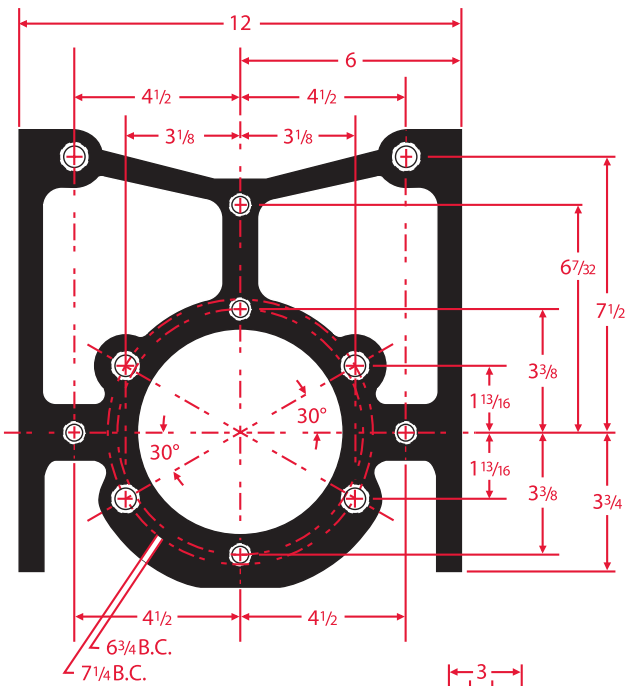


- 1—FRAME
- 1—LEFT LEG
- 1—RIGHT LEG
- 1—SUPPORT LEG (used for single only)
- 5— $\frac{1}{2}$ " x $\frac{1}{4}$ " BOLTS
- 5— $\frac{1}{2}$ " FLAT WASHERS

(Illustration Shows Front of Frame)

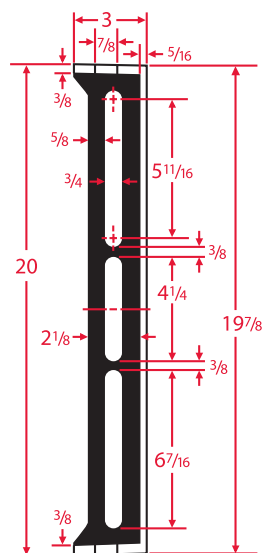
(Illustration Shows Side of Frame)

(Illustration Shows Front of Frame)



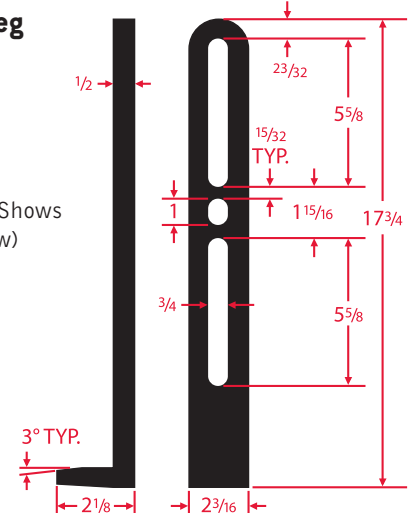
**EZS 22 Extended Leg
(Left or Right)**

(Illustration Shows Side View)



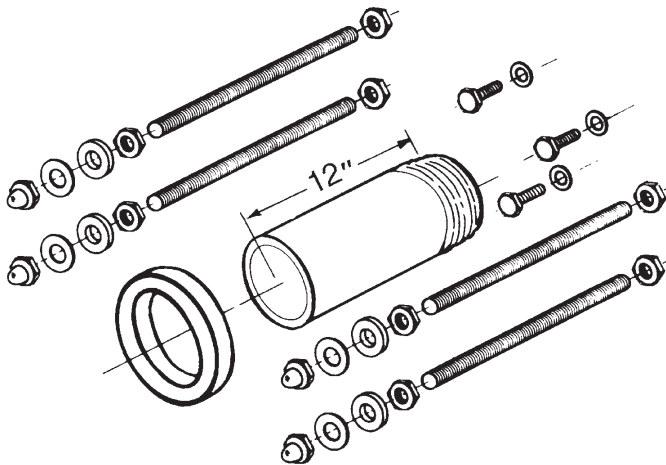
EZS 22 Support Leg

(Illustration Shows Side View)



PART NO. EZS 24

Trim Package, Wall-Hung Back-Outlet Assembly
(To be used with PART NO. EZS 22 Support Frame Assembly)

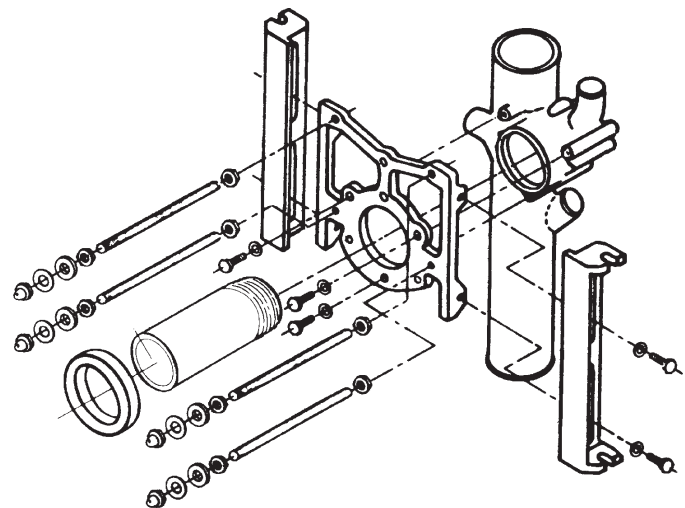


- 1—4" PVC Sch. 80 NIPPLE with TEST CAP
- 1—BOWL GASKET
- 4— $\frac{5}{8}$ " x 12" RODS
- 4— $\frac{5}{8}$ " CHROME CAP NUTS
- 8— $\frac{5}{8}$ " JAM NUTS
- 4— $\frac{5}{8}$ " FLAT WASHERS
- 4— $\frac{5}{8}$ " FIBER WASHERS
- 3— $\frac{3}{8}$ " x 1 $\frac{1}{2}$ " BOLTS FOR FACEPLATE
- 3— $\frac{3}{8}$ " FLAT WASHERS
- 4— $\frac{5}{8}$ " STAR WASHERS

EZS 22 and EZS 24 Installation Instructions

1. Identify the major components of the EZS 24 Trim Package and EZS 22 Support Frame.
2. Secure EZS 22 Support Frame to installed starter fitting using $\frac{3}{8}$ " x 1 $\frac{1}{2}$ " bolts and $\frac{3}{8}$ " flat washers.
3. Secure right and left legs to the EZS 22 faceplate using $\frac{1}{2}$ " x 1 $\frac{3}{4}$ " bolts and $\frac{1}{2}$ " flat washers in position shown to the right.
4. Adjust assembly to the desired height. Level and align the assembly.
5. Secure the feet of the EZS 22 Support Frame to the floor using the $\frac{1}{2}$ " x 1 $\frac{3}{4}$ " bolts supplied.
6. Secure support leg. For double starter fittings, the support leg is not required.
7. Secure $\frac{5}{8}$ " x 12" EZS 24 thread rods to faceplate according to EZS 22 faceplate.
8. Install EZS 24 threaded nipple to the EZS 700 or EZS 800 fitting.

Exploded View of Support Assembly Hardware

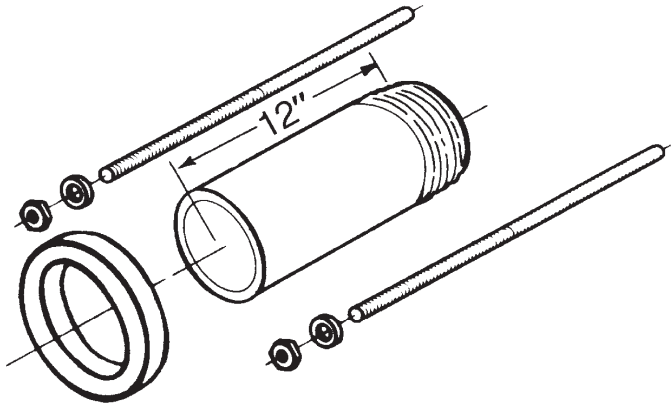


EZS 22 and EZS 24 Assemblies Illustrated

PART NO. EZS 23

Trim Package, Floor-Mounted Back-Outlet Assembly

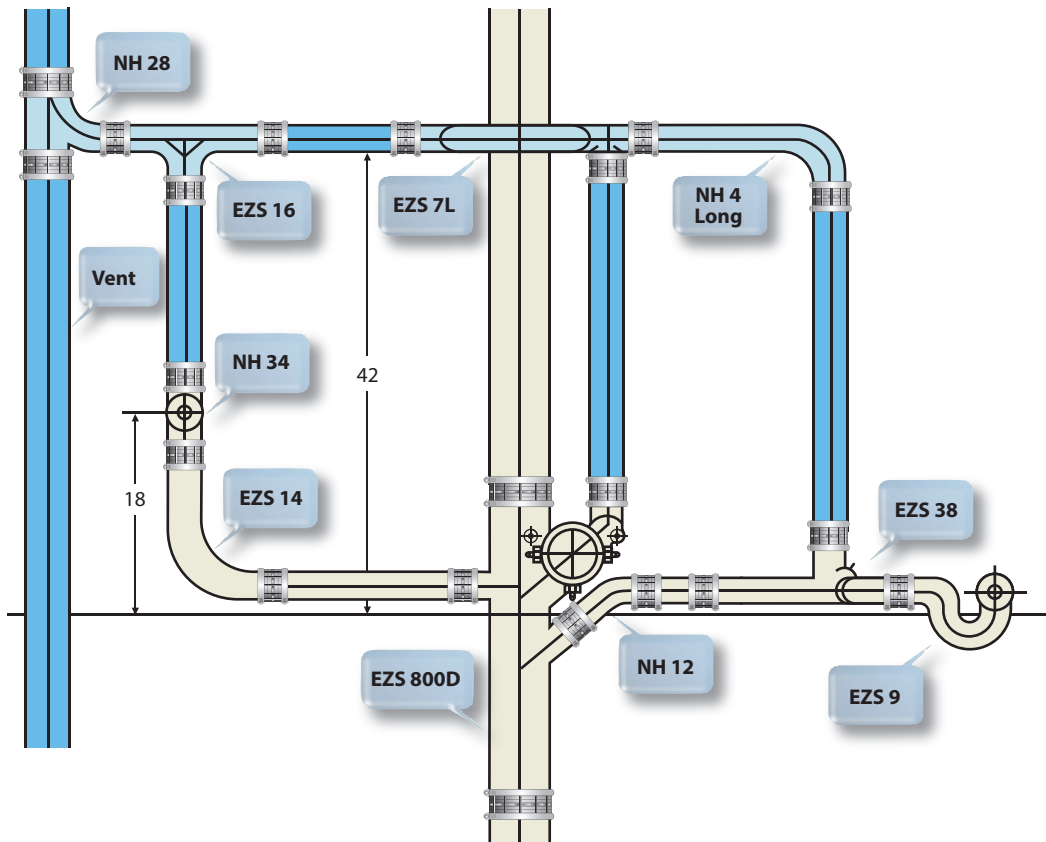
(Note: Not to be used with PART NO. EZS 22 Support Frame Assembly)



- 1—4" PVC Sch. 80 NIPPLE with TEST CAP
- 1—BOWL GASKET
- 2— $\frac{5}{16}$ " x 12" RODS
- 2— $\frac{5}{16}$ " HEX NUTS
- 2— $\frac{5}{16}$ " FLAT WASHERS
- 2— $\frac{5}{16}$ " CAP NUTS

PART NO. EZS 800D

Typical Installation



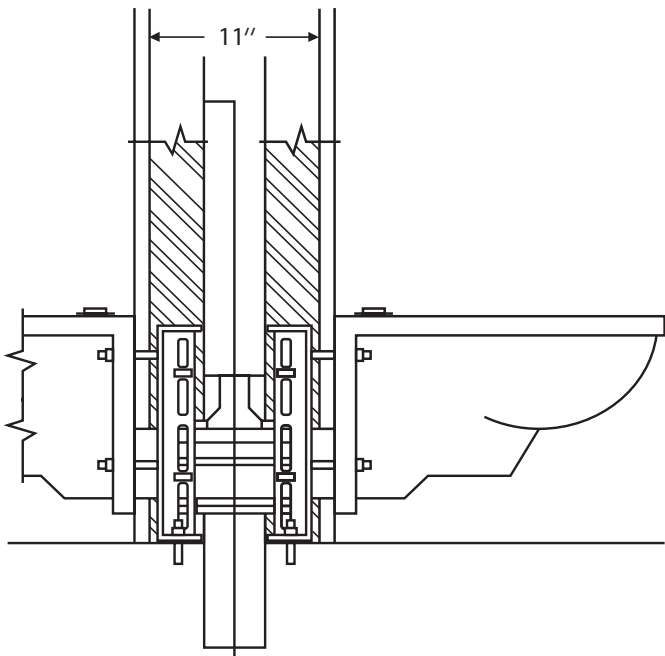
Hubless Application Index

Fixture Type	CPF Fitting	Support Frame (If Applicable)	Trim Package (If Applicable)
<p>Wall Hung, Back Outlet Starter Fitting is designed to be installed with inlet above floor level</p>	<p>EZS 700 EZS 800</p>	<p>EZS 22 EZS 22</p>	<p>EZS 24 EZS 24</p>
<p>Floor Mounted, Back Outlet Starter Fitting is designed to be installed with inlet above floor level</p>	<p>EZS 700 EZS 710 EZS 800 EZS 810</p>		<p>EZS 23 EZS 23</p>
<p>Floor Mounted, Bottom Outlet Starter Fitting is designed to be installed with inlet either in or below floor level</p>	<p>EZS 6 EZS 8 EZS 50 EZS 51 EZS 100 EZS 400 EZS 457 EZS 458 EZS 463 EZS 464</p>		

Minimum Space Requirements for EZS 700 and EZS 800 Starter Fittings installed with EZS 22 Support Frame and EZS 24 Trim Package.

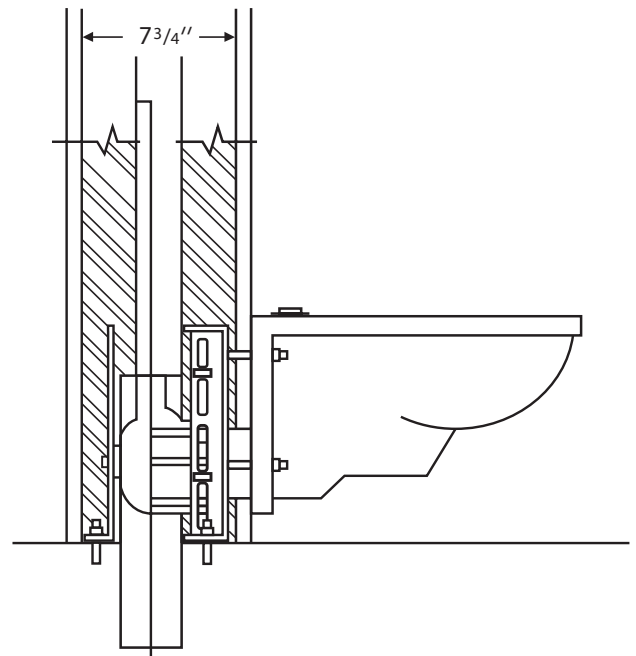
(Note: EZS 22 Support Frame Assembly is not compatible with EZS 23 Trim Package.)

EZS 700 and EZS 800 Double Starter Fittings



Part No.	Size	A	B	C	D	E	Weight
EZS 700D	4x28	0	0	5½	28	6½	40.0
EZS 700D	4x28	0	8½	5½	28	6½	42.0
EZS 700D	4x28	23½	8½	5½	28	6½	42.0
EZS 800D	4x28	16	0	5½	28	6½	42.0
EZS 800D	4x28	16	8½	5½	28	6½	42.0

EZS 700 and EZS 800 Left and Right Starter Fittings

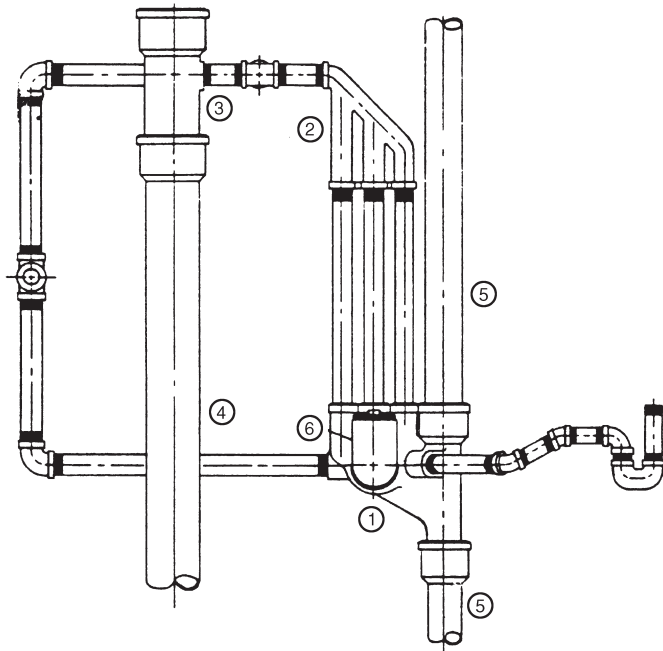


Part No.	Size	A	B	C	D	E	Weight
EZS 700L	4x28	0	0	5½	28	6½	34.6
EZS 700L	4x28	0	8½	5½	28	6½	35.7
EZS 700L	4x28	14	8½	5½	28	6½	36.3
EZS 700L	4x28	23½	8½	5½	28	6½	32.0
EZS 700R	4x28	0	0	5½	28	6½	30.0
EZS 700R	4x28	0	8½	5½	28	6½	34.0
EZS 700R	4x28	14	8½	5½	28	6½	35.3
EZS 700R	4x28	23½	8½	5½	28	6½	32.0
EZS 800L	4x28	16	0	5½	28	6½	35.4
EZS 800L	4x28	16	8½	5½	28	6½	36.3
EZS 800R	4x28	16	0	5½	28	6½	35.6
EZS 800R	4x28	16	8½	5½	28	6½	35.3

Multi-Story Service Fittings

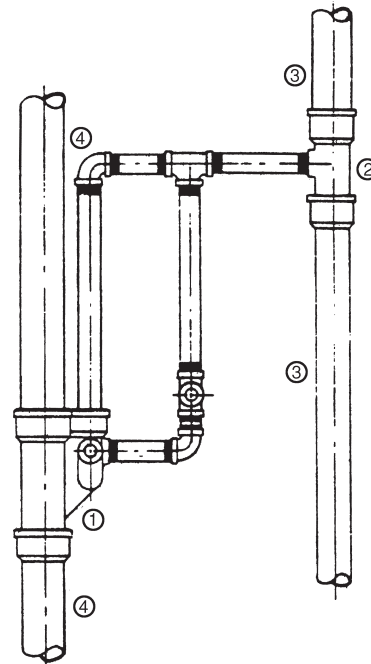
Typical installation shows single back-outlet water closet and double-sink applications.

MULTI-STORY INSTALLATION



- ① SV 1739 Left Hand Vented Closet Tee with 2" 45° Taps
- ② SV 1801 2x2x2 Tapped Harp Fitting
- ③ SV 83 5x2 Straight Tapped Tee
- ④ 5x10 SV Single Hub Pipe
- ⑤ 4x10 SV Single Hub Pipe
- ⑥ SV 206 4x4x18 Tapped Closet Bend with Southern Code Brass Plug

MULTI-STORY INSTALLATION



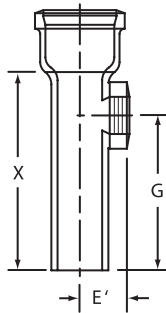
- ① SV 581 4x2x2 Double Sink Stack — 1770
- ② SV 83 3x2 Straight Tapped Tee
- ③ 3x10 Single Hub Pipe
- ④ 4x10 Single Hub Pipe

All products manufactured by Charlotte Pipe and Foundry Company are proudly made in the U.S.A.



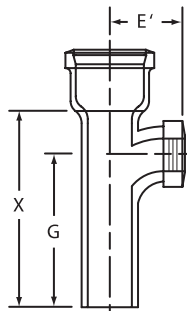
Multi-Story Tapped Service Fittings

PART NO. SV 83
Straight Tapped Tee



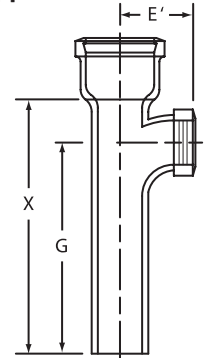
Size	E'	G	X	Weight
2 x 1½	2	6¼	8	5.5
2 x 2	2	6¼	8	6.0
3 x 1½	2½	7	9	7.4
3 x 2	2½	7	9	8.5
4 x 2	3	7	9	12.3
4 x 3	4	8	11	14.0
4 x 4	3	7	9	15.0
5 x 2	3½	7	9	13.5
5 x 4	3½	8½	12	17.9
6 x 4	4¼	9	13	24.4

PART NO. SV 84
Sanitary Tapped Tee



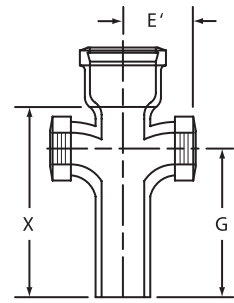
Size	E'	G	X	Weight
2 x 1½	2 ¹³ / ₁₆	6¼	8	6.0
2 x 2	3 ¹ / ₁₆	6¼	8	5.8
3 x 1½	3 ⁵ / ₁₆	7	9	8.0
3 x 2	3 ⁹ / ₁₆	7	9	8.1
4 x 1½	3 ¹³ / ₁₆	7	9	10.3
4 x 2	4 ¹ / ₁₆	7	9	11.7
4 x 3	4 ¹ / ₁₆	8	11	13.6

PART NO. SV 89
Long Sanitary Tapped Tee



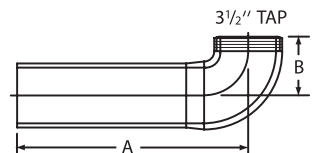
Size	E'	G	X	Weight
2 x 2 x 18	3 ¹ / ₁₆	6¼	18	8.8

PART NO. SV 91
Sanitary Tapped Cross



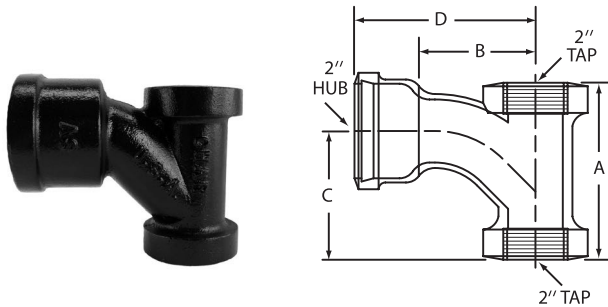
Size	E'	G	X	Weight
2 x 1½	2 ¹³ / ₁₆	6¼	8	6.4
2 x 2	3 ¹ / ₁₆	6¼	8	6.7
3 x 2	3 ⁹ / ₁₆	7	9	9.0
4 x 2	4 ¹ / ₁₆	7	9	11.6

PART NO. SV 206
Tapped Closet Bend with Southern Code Brass Plug



Size	A	B	Weight
3½ x 4 x 4 x 18	18	4	17.4

PART NO. SV 566
Tapped Long Sweep Tee



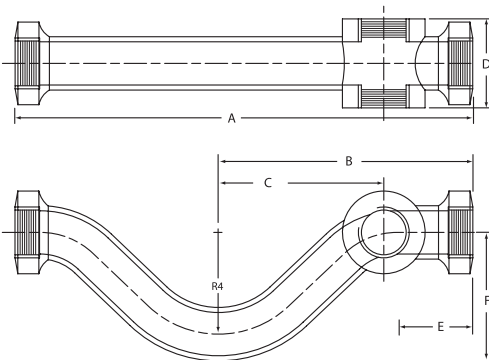
Size	A	B	C	D	Weight
2 x 2	5½	3⅛	4	5⅝	6.2

PART NO. SV 982
Tapped By-Pass Vent Fitting

(Side View)

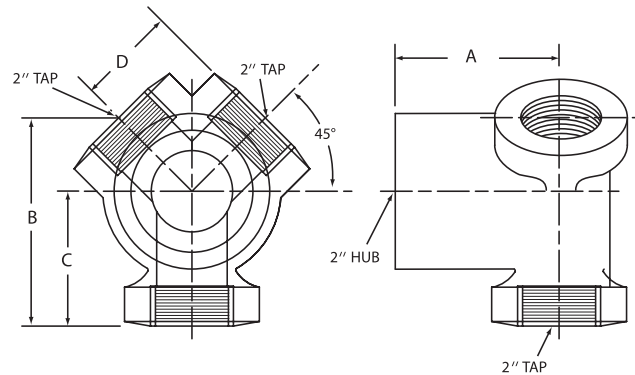


(Top View)



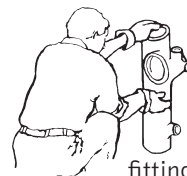
Size	A	B	C	D	E	F	Weight
2 x 2	18	10	6½	3½	3	5¼	11.3

PART NO. SV 985
Tapped Bath Vent Wye



Size	A	B	C	D	Weight
2 x 2	4¼	5	3¼	2½	8.4

HOW TO DETERMINE RIGHT or LEFT HAND CLOSET FITTING



To determine if whether a closet fitting is a right hand or left hand configuration, stand the fitting up with the closet inlet facing you. If the opening is on your left, it is a **Left Hand** fitting. If the opening is on your right, it is a **Right Hand** fitting. Right Hand and Left Hand configurations do not apply for Double fittings.

(Right Hand Closet Fitting Illustrated)

Multi-Story Service Fixture Fittings

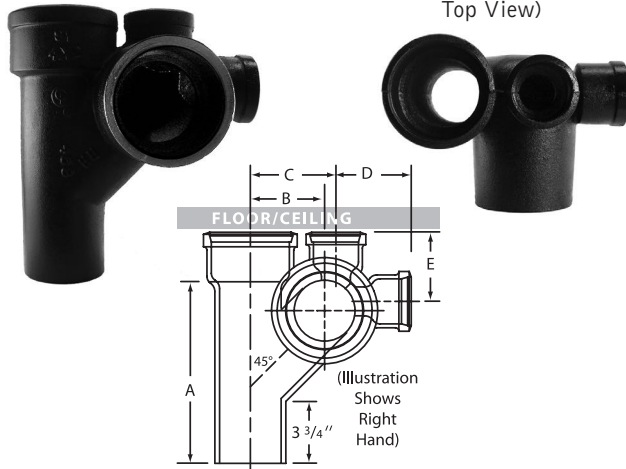
PART NO. SV 458

Vented Closet Tee with 2" Top Vent and 2" Extended Side Inlet

(Right Hand or Left Hand; Designed for use below the floor; Fitting does not require a baffle)

(Photo Shows Right Hand)

(Photo Shows Right Hand, Top View)



Size	A	B	C	D	E	Weight
4x4x2x2x4 RH	11	4 1/2	5 3/16	4 9/16	4 9/16	37.0
4x4x2x2x4 LH	11	4 1/2	5 3/16	4 9/16	4 9/16	37.8

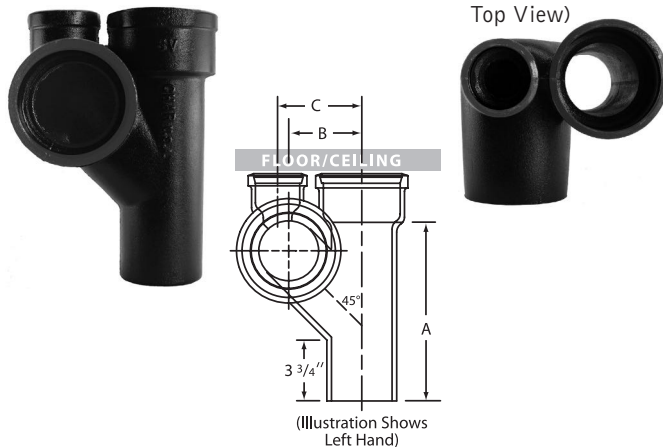
PART NO. SV 460

Vented Closet Tee with 2" Top Vent

(Right Hand or Left Hand; Designed for use below the floor; Fitting does not require a baffle)

(Photo Shows Left Hand)

(Photo Shows Left Hand, Top View)

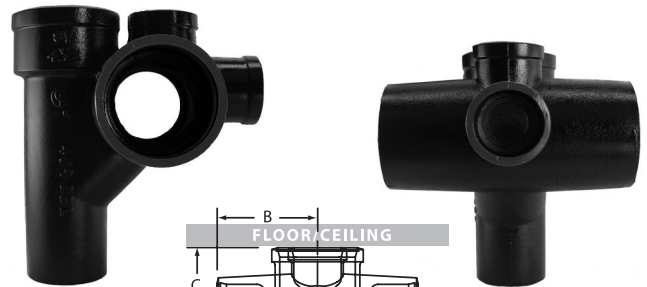


Size	A	B	C	Weight
4 x 4 x 2 x 4 RH	11	4 1/2	5 3/16	35.0
4 x 4 x 2 x 4 LH	11	4 1/2	5 3/16	35.0

PART NO. SV 459D

Vented Closet Cross with 2" Top Vent and 2" Extended Side Inlet

(Designed for use below the floor; Fitting does not have a baffle)

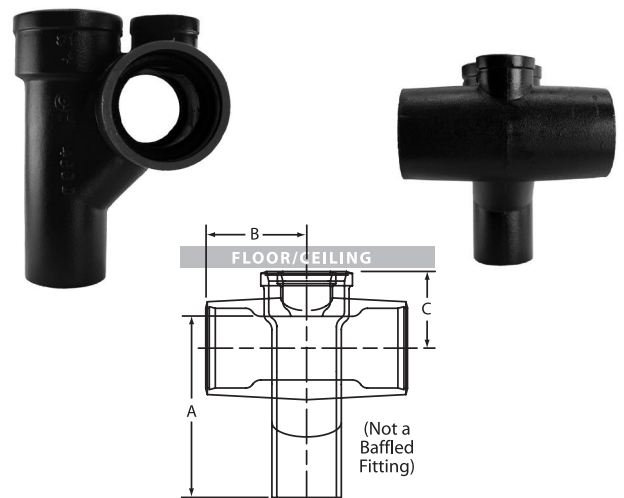


Size	A	B	C	Weight
4 x 4 x 2 x 2 x 4	11	6 1/4	4 3/4	47.0

PART NO. SV 463D

Vented Closet Cross with 2" Top Vent and 2" Extended Side Inlet

(Designed for use below the floor; Fitting does not have a baffle)

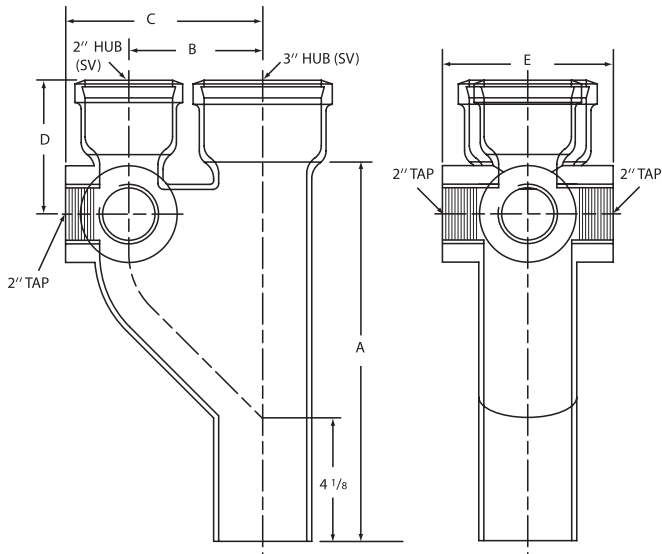


Size	A	B	C	Weight
4 x 4 x 2	11	6 1/4	4 3/4	43.8

PART NO. SV 581
Double Sink Stack-1770
(Designed for use above the floor)
3x2x2

(Side View)

(Top View)

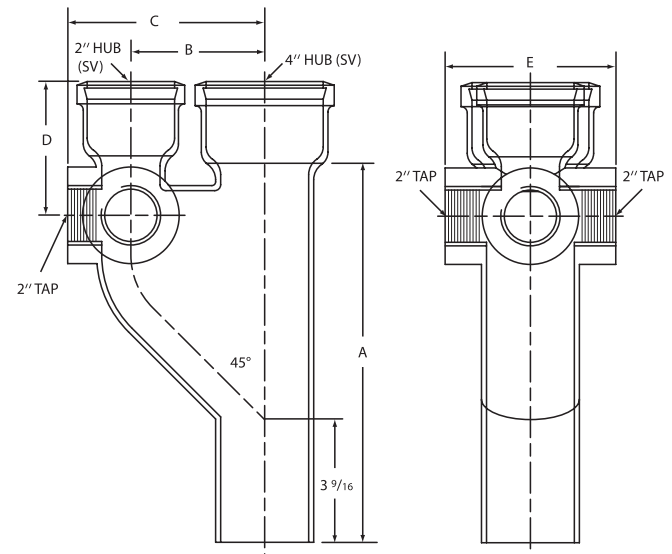


Size	A	B	C	D	E	Weight
3 x 2 x 2	12 ³ / ₄	4 ¹ / ₂	6 ⁵ / ₈	4 ¹ / ₂	5 ³ / ₄	18.0

PART NO. SV 581
Double Sink Stack-1770
(Designed for use above the floor)
4x2x2

(Side View)

(Top View)



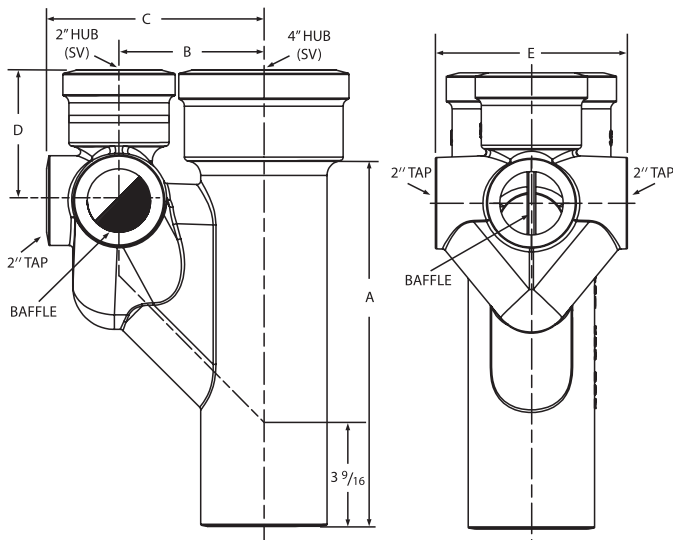
Size	A	B	C	D	E	Weight
4 x 2 x 2	12 ¹ / ₂	5	7 ¹ / ₂	4 ¹ / ₂	5 ³ / ₄	21.4

PART NO. SV 581B
Double Sink Stack with Baffle
(Designed for use above the floor)
4x2x2

(Side View)

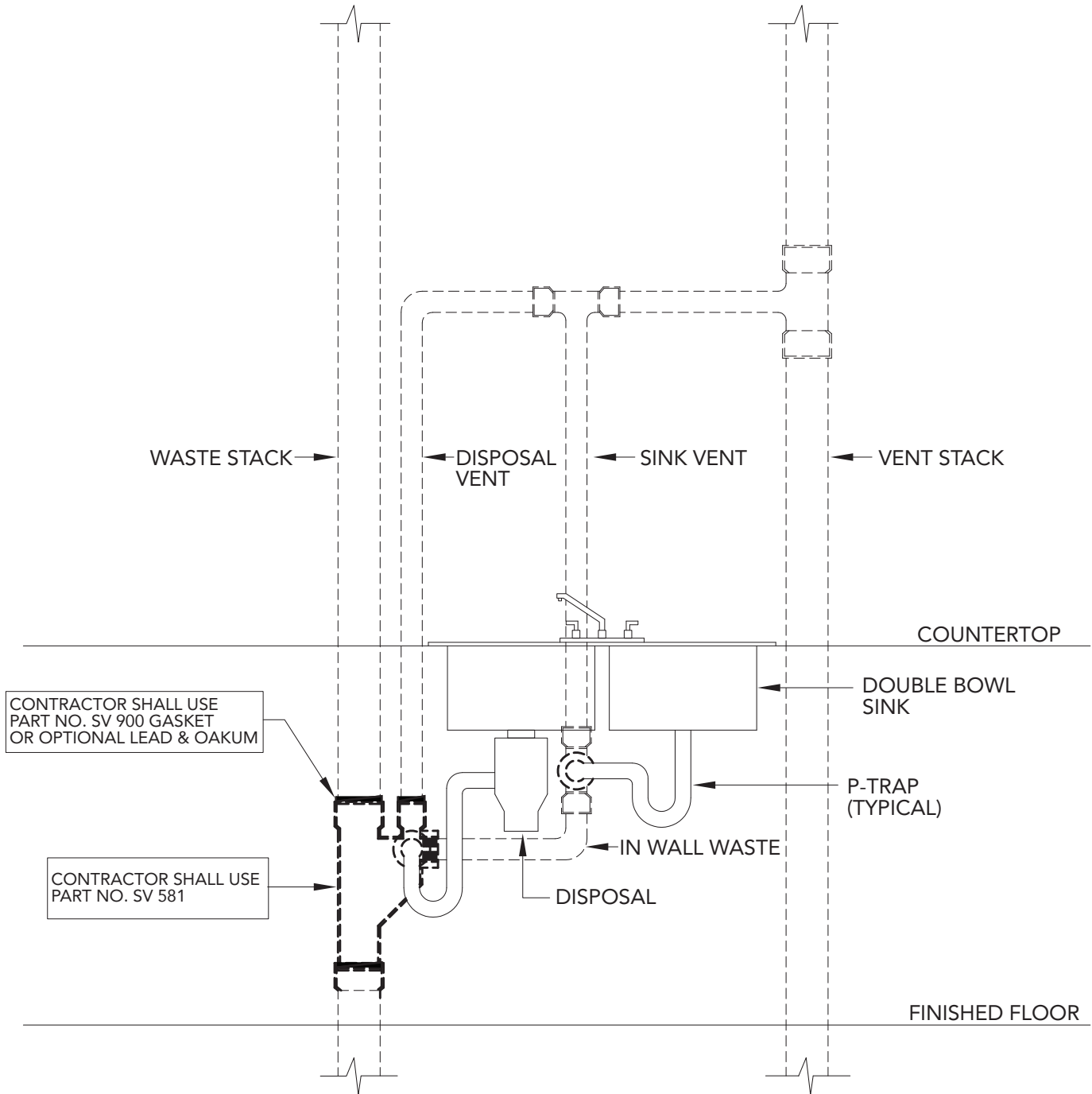
(Gray Area
Indicates Baffle)

(Top View)



Size	A	B	C	D	E	Weight
4 x 2 x 2	12 ¹ / ₂	5	7 ¹ / ₂	4 ¹ / ₂	6 ⁵ / ₈	23.8

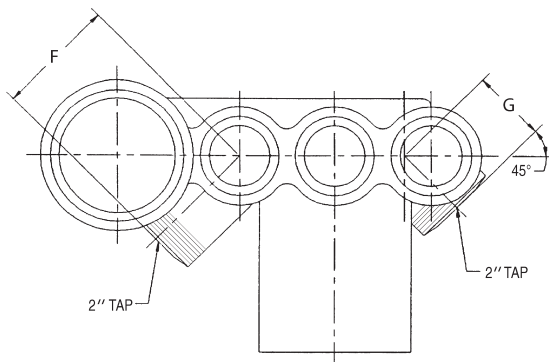
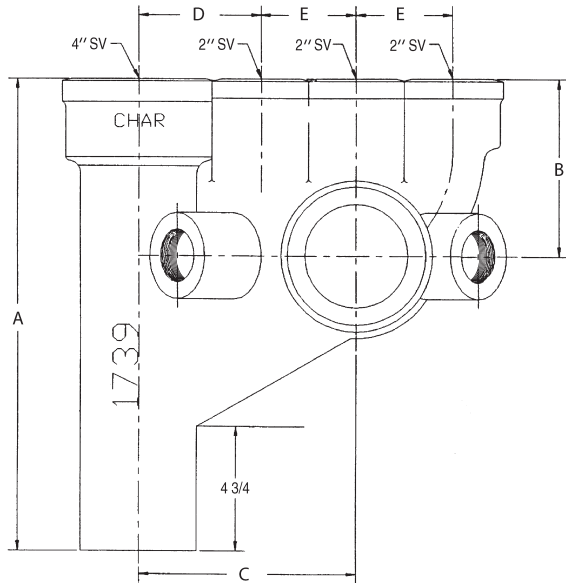
PART NO. SV 581
Double Sink Stack Fitting
(Designed for use above the floor)
4x2x2



DOUBLE SINK STACK FITTING - FRONT ELEVATION

PART NO. SV 1739R
Right Hand Vented Closet
Tee with 2" 45° Taps
(Designed for use above the floor)

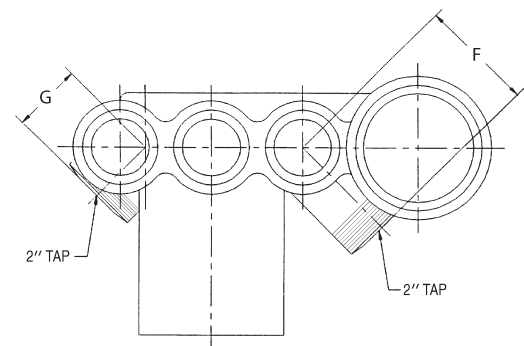
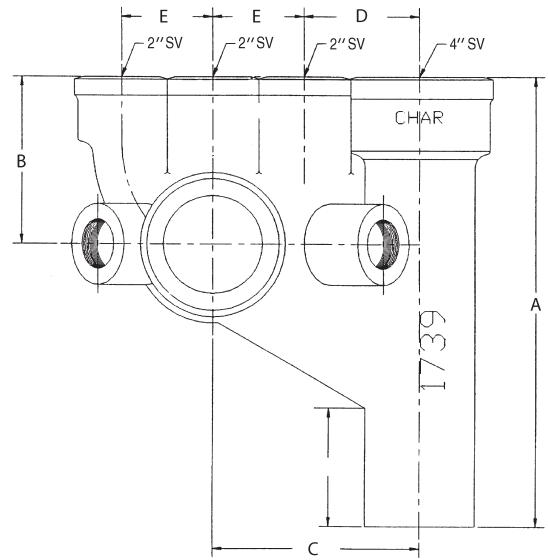
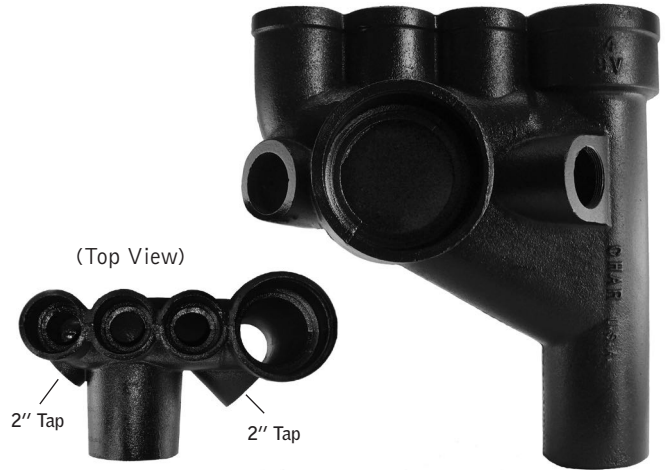
(Side View)



Size	A	B	C	D	E	F	G	Weight
4 x 2 x 4 x 2	18	6 ³ / ₄	8 ¹ / ₄	4 ⁵ / ₈	3 ⁵ / ₈	4 ¹ / ₂	2 ³ / ₄	51.1

PART NO. SV 1739L
Left Hand Vented Closet
Tee with 2" 45° Taps
(Designed for use above the floor)

(Side View)



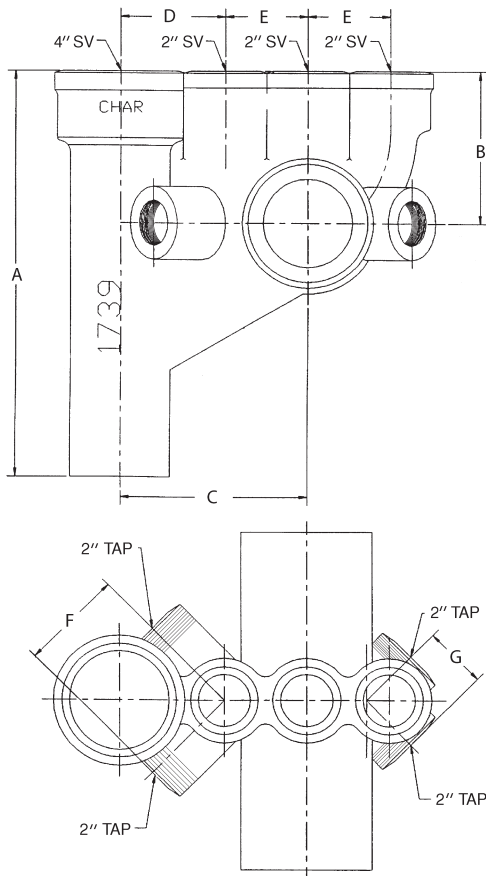
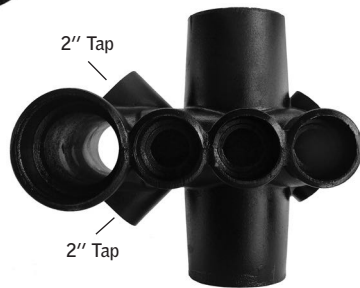
Size	A	B	C	D	E	F	G	Weight
4 x 2 x 4 x 2	18	6 ³ / ₄	8 ¹ / ₄	4 ⁵ / ₈	3 ⁵ / ₈	4 ¹ / ₂	2 ³ / ₄	51.0

PART NO. SV 1739D
Vented Closet Cross with 2" 45° Taps
(Designed for use above the floor)

(Side View)

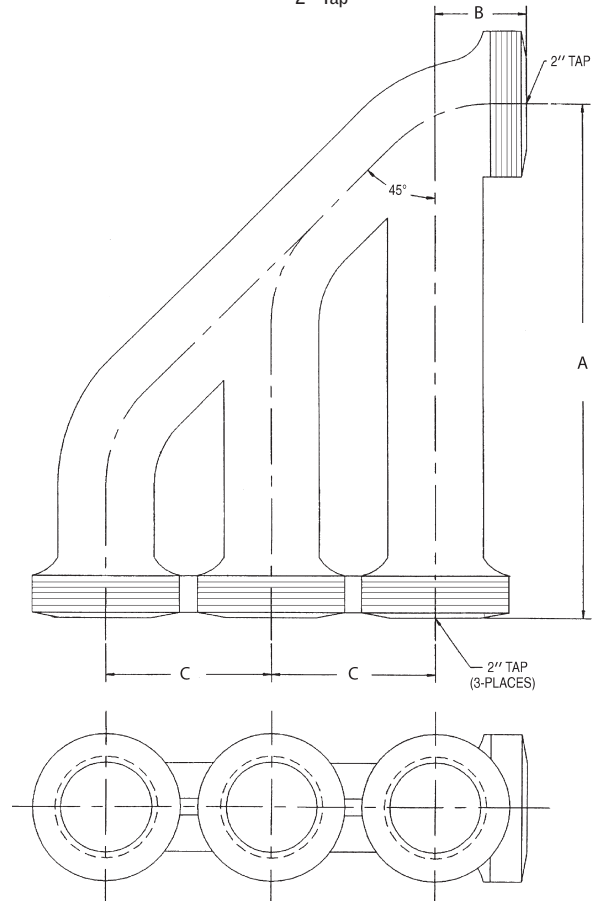


(Top View)



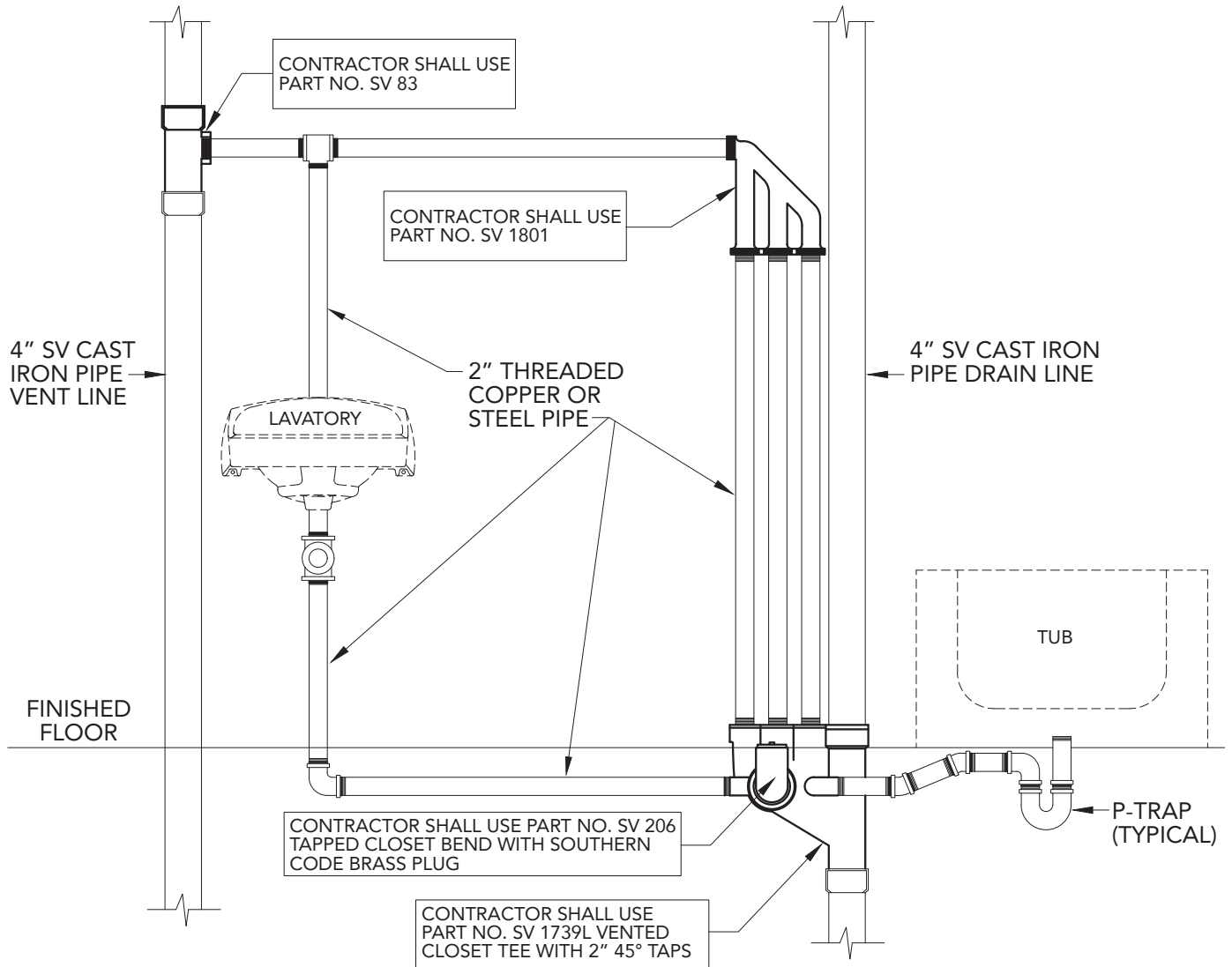
Size	A	B	C	D	E	F	G	Weight
4 x 2 x 4 x 2	18	6 ³ / ₄	8 ¹ / ₄	4 ⁵ / ₈	3 ⁵ / ₈	4 ¹ / ₂	2 ³ / ₄	57.5

PART NO. SV 1801
2x2x2
Tapped Harp Fitting



Size	A	B	C	Weight
2 x 2 x 2	11 ⁷ / ₁₆	2	3 ⁵ / ₈	15.5

PART NO. SV 1739L with SV 1801
SV 1739L Left Hand Vented Closet Tee with SV 1801 Harp Fitting
Use with Floor Mounted Bottom Outlet Water Closet



FRONT ELEVATION

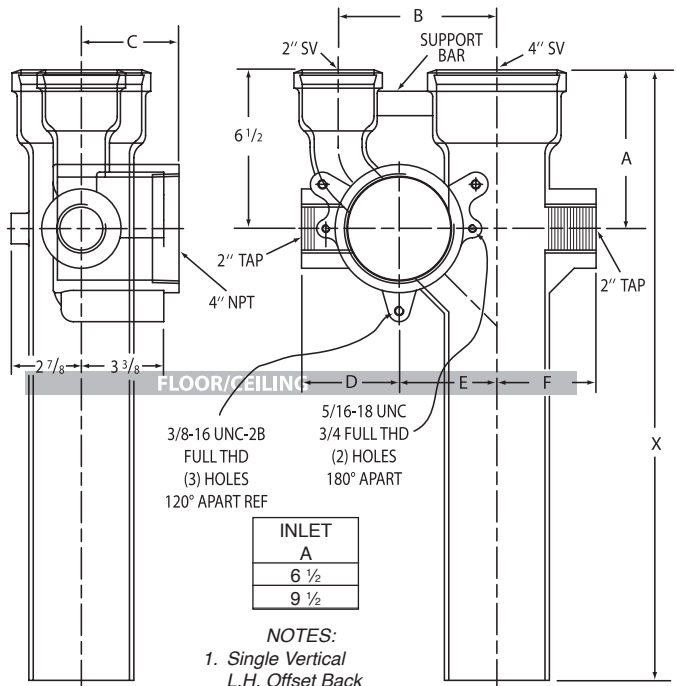
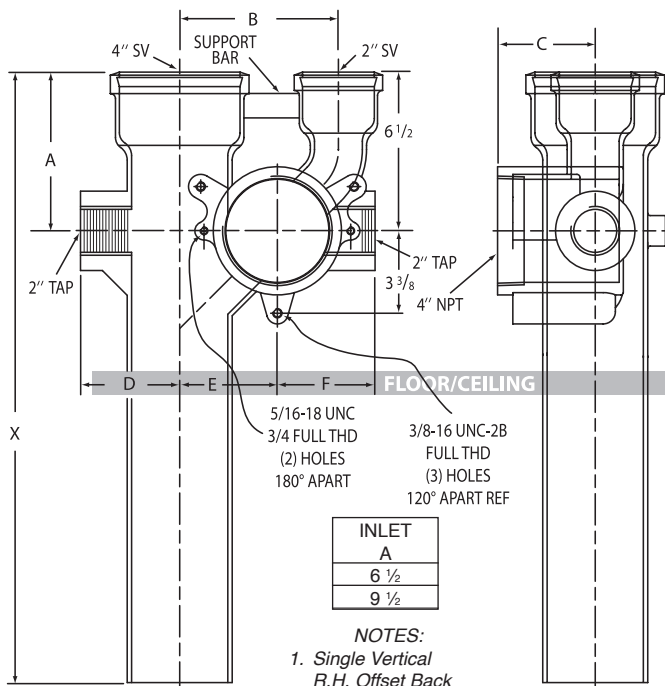
Multi-Story Service Starter Fittings

PART NO. SV 973R

Right Hand Starter Fitting with 4" Tap and 2" Tapped "A" Side Inlet
[Designed for use above the floor with back-outlet water closets]

PART NO. SV 973L

Left Hand Starter Fitting with 4" Tap and 2" Tapped "A" Side Inlet
[Designed for use above the floor with back-outlet water closets]



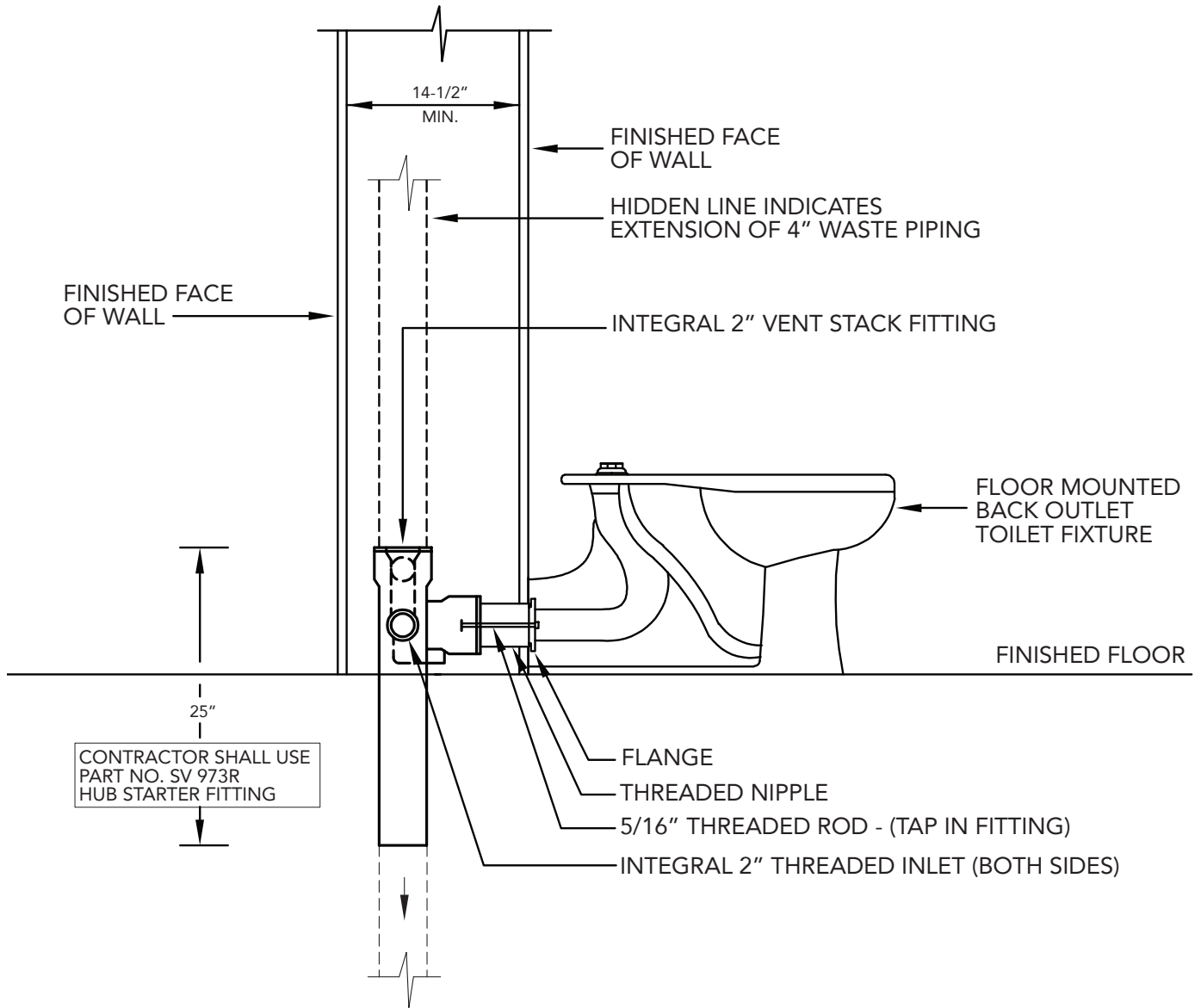
- NOTES:**
1. Single Vertical R.H. Offset Back Outlet Starter Fitting
 2. 4" Stack with 2" Vent & Inlets
 3. Face Plate Package Not Included

- NOTES:**
1. Single Vertical L.H. Offset Back Outlet Starter Fitting
 2. 4" Stack with 2" Vent & Inlets
 3. Face Plate Package Not Included

Size	Inlet	A	B	C	D	E	F	X	Weight
4	6 1/2	See Chart	6 1/2	4	4 1/16	4	4	25	34.8
4	9 1/2	See Chart	6 1/2	4	4 1/16	4	4	25	34.4

Size	Inlet	A	B	C	D	E	F	X	Weight
4	6 1/2	See Chart	6 1/2	4	4	4	4	25	39.2
4	9 1/2	See Chart	6 1/2	4	4	4	4	25	39.0

PART NO. SV 973R with SV 900 CHARLOTTE SEAL GASKET



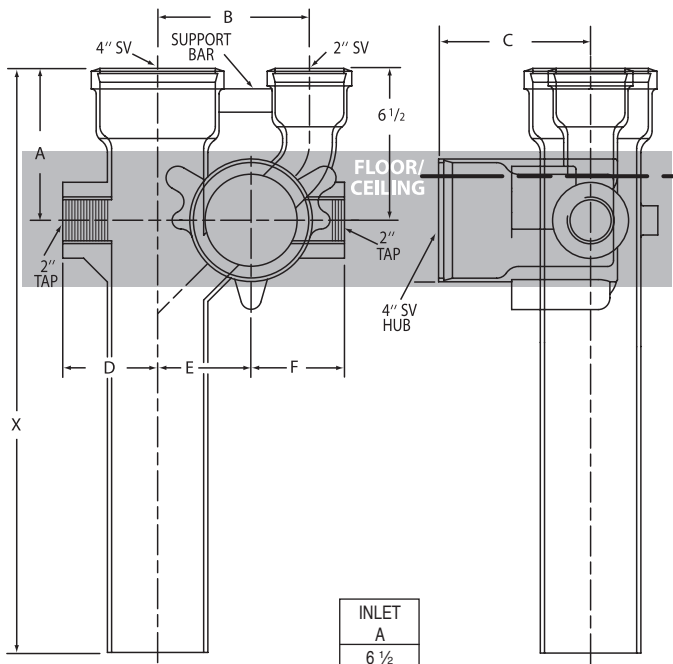
RIGHT HAND FITTING - LEFT SIDE ELEVATION

PART NO. SV 974R
Right Hand Starter Fitting with 4" Hub and 2" Tapped "A" Side Inlet
[Designed for use below or in the floor with bottom-outlet water closets]

(Side View)



(Top View)



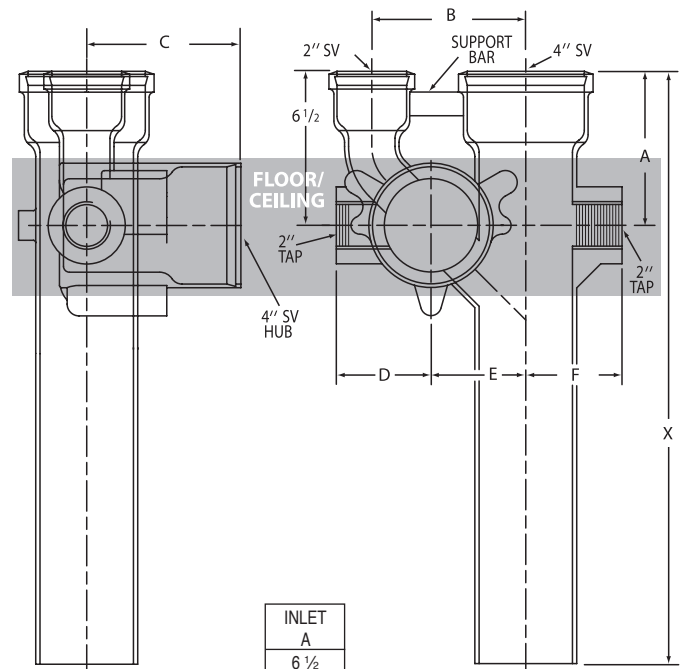
Size	A	B	C	D	E	F	X	Weight
4 with A inlets	6 1/2	6 1/2	6 1/2	4 1/16	4	4	25	39.2

PART NO. SV 974L
Left Hand Starter Fitting with 4" Hub and 2" Tapped "A" Side Inlet
[Designed for use below or in the floor with bottom-outlet water closets]

(Side View)



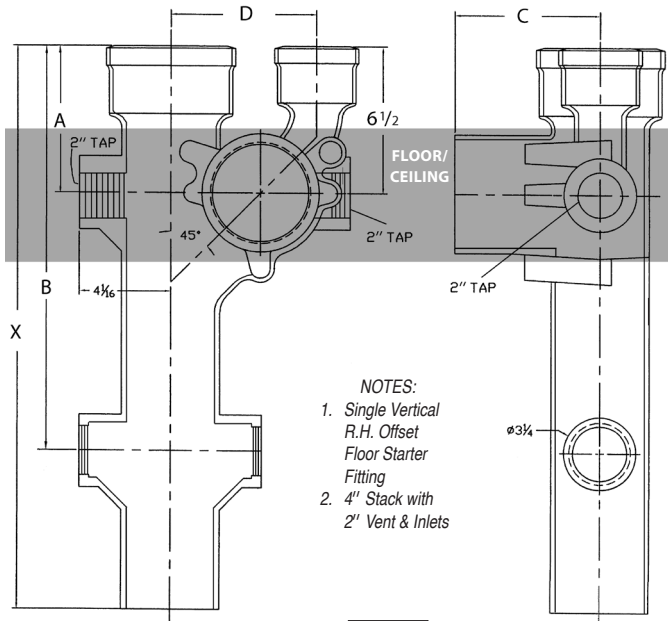
(Top View)



Size	A	B	C	D	E	F	X	Weight
4 with A inlets	6 1/2	6 1/2	6 1/2	4	4	4 1/16	25	39.7

PART NO. SV 974R

**Right Hand Starter Fitting with 4" Hub and
2" Tapped "A" and "B" Side Inlets**
(Designed for use below or in the floor
with bottom-outlet water closets)



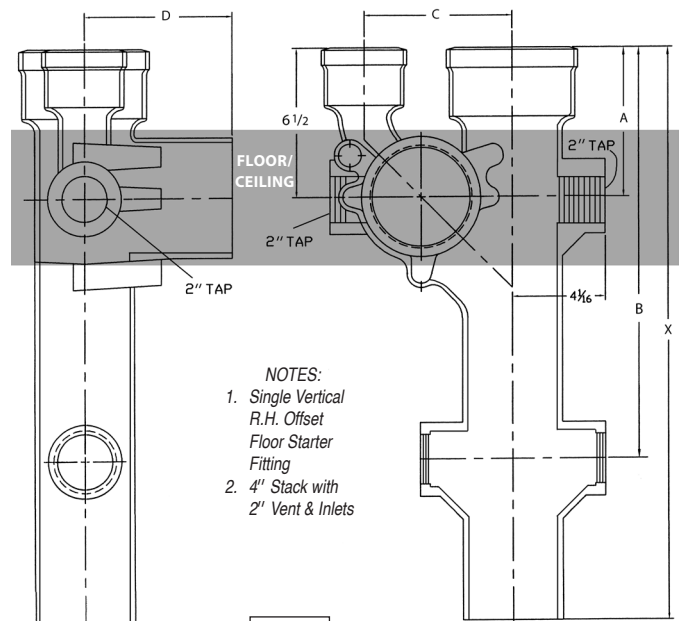
- NOTES:**
1. Single Vertical R.H. Offset Floor Starter Fitting
 2. 4" Stack with 2" Vent & Inlets

INLET	
A	B
6 1/2	18

Size	A	B	C	D	X	Weight
4 with A & B inlets	6 1/2	18	6 1/2	6 1/2	25	46.2

PART NO. SV 974L

**Left Hand Starter Fitting with 4" Hub and
2" Tapped "A" and "B" Side Inlets**
(Designed for use below or in the floor
with bottom-outlet water closets)



- NOTES:**
1. Single Vertical R.H. Offset Floor Starter Fitting
 2. 4" Stack with 2" Vent & Inlets

INLET	
A	B
6 1/2	18

Size	A	B	C	D	X	Weight
4 with A & B inlets	6 1/2	18	6 1/2	6 1/2	25	43.7

PART NO. SV 975

Double Starter Fitting with 4" Tap and 2" Tapped "A" Side Inlets

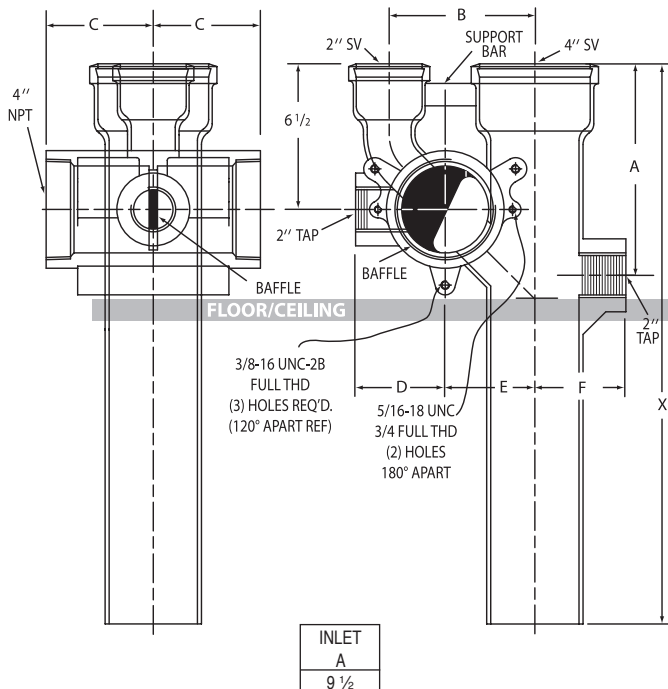
[Designed for use above the floor with back-outlet water closets; Fitting has a baffle]

(Side View)



(Gray Area Indicates Baffle)

(Top View)



Size	A	B	C	D	E	F	X	Weight
4	9 1/2	6 1/2	4	4	4	4 1/16	25	42.5

! WARNING

Cast Iron pipe and fittings are only intended for DWV (drain, waste and vent) non-pressure applications. Using cast iron pipe and fittings in pressure applications could result in explosive failures, causing serious injury or death or property damage.

! WARNING

Testing with or use of compressed air or gas in Cast Iron pipe or fittings can result in explosive failures and cause severe injury or death.

AIR/GAS



- NEVER test with or transport/store compressed air or gas in Cast Iron pipe or fittings.
- NEVER test Cast Iron pipe or fittings with compressed air or gas.
- ONLY use Cast Iron pipe and fittings for drain, waste and vent or sanitary sewer applications.

! WARNING

Unsecured piping can fall and cause serious injury. Always properly support and secure piping to help prevent injury. Always wear protective clothing, including hard hats, during installation.

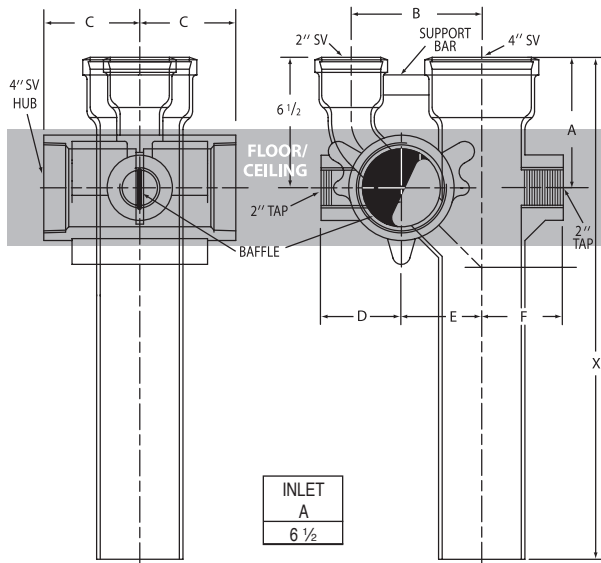
PART NO. SV 976

Double Starter Fitting with 4" Hub and 2" Tapped "A" Side Inlet

[Designed for use below or in the floor with bottom-outlet water closets; Fitting has a baffle]



(Gray Area Indicates Baffle)



Size	A	B	C	D	E	F	X	Weight
4 with A inlets	6 1/2	6 1/2	6 1/2	4	4	4 1/16	25	50.8

PART NO. SV 976

Double Starter Fitting with 4" Hub and 2" Tapped "A" and "B" Side Inlets

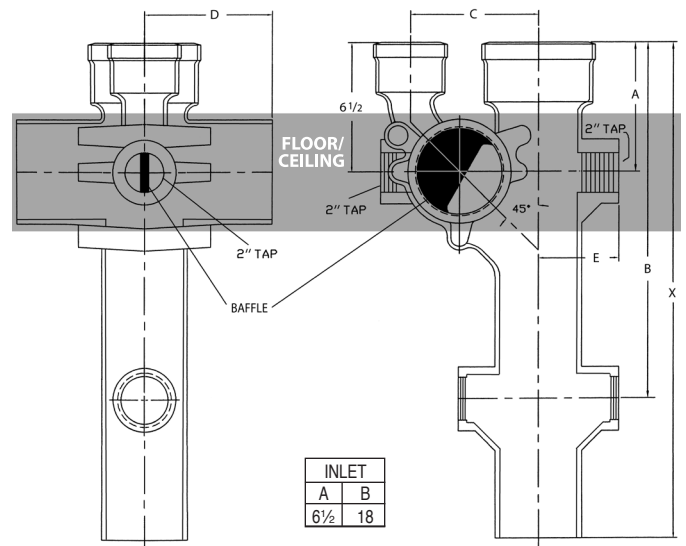
[Designed for use below or in the floor with bottom-outlet water closets; Fitting has a baffle]

(Side View)



(Gray Area Indicates Baffle)

(Top View)

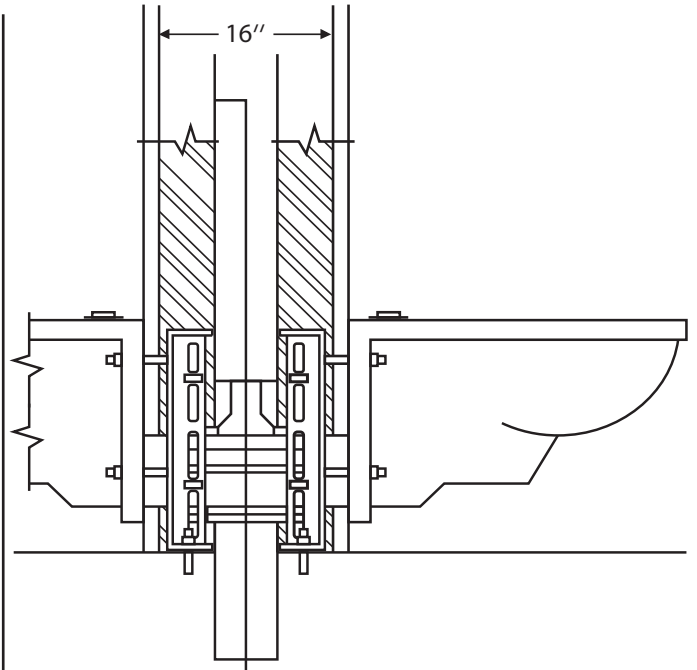
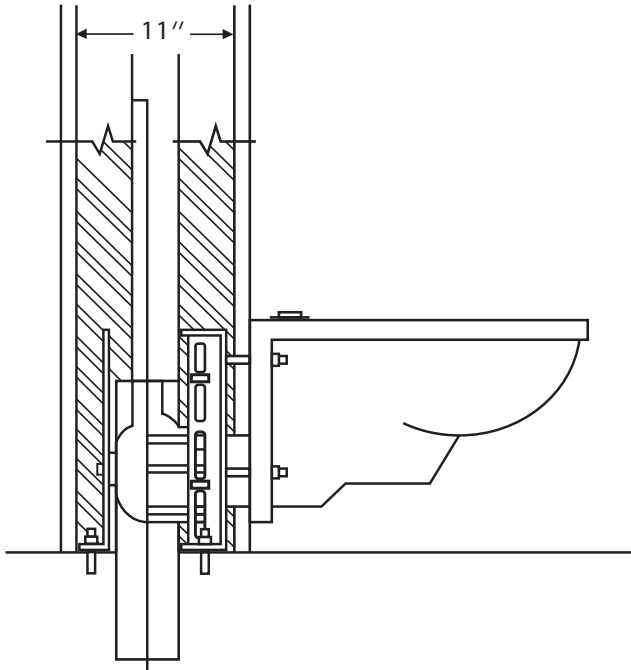


Size	A	B	C	D	E	X	Weight
4 with A & B inlets	6 1/2	18	6 1/2	6 1/2	4 1/16	25	56.6

Service Weight Application Index

Fixture Type	CPF Fitting	Support Frame (If Applicable)	Trim Package (If Applicable)
Wall Hung, Back Outlet	SV 973	EZS 22	EZS 24
Starter Fitting is designed to be installed with inlet above floor level	SV 975	EZS 22	EZS 24
Floor Mounted, Back Outlet	SV 581		
Starter Fitting is designed to be installed with inlet above floor level	SV 1739		
Floor Mounted, Bottom Outlet	SV 458		
Starter Fitting is designed to be installed with inlet either in or below floor level	SV 459D SV 460 SV 463D SV 974 SV 976 SV 1739		

Minimum Space Requirements for Multi-Story Service Starter Fittings
Tapped Service Fitting Illustrations Shown with EZS 22 Support Frame and EZS 24 Trim Package



PART NO. SV 973R Right Hand Starter Fitting with 4" Tap

Size	Inlet	A	B	C	D	E	F	X	Weight
4	6½	See Chart	6½	4	4 1/16	4	4	25	34.8
4	9½	See Chart	6½	4	4 1/16	4	4	25	34.4

PART NO. SV 973L Left Hand Starter Fitting with 4" Tap

Size	Inlet	A	B	C	D	E	F	X	Weight
4	6½	See Chart	6½	4	4	4	4	25	39.2
4	9½	See Chart	6½	4	4	4	4	25	39.0

PART NO. SV 975 Double Starter Fitting with 4" Tap

Size	A	B	C	D	E	F	X	Weight
4	9½	6½	4	4	4	4 1/16	25	42.5

LIMITED WARRANTY

Charlotte Pipe and Foundry Company® (Charlotte Pipe®) Products are warranted to be free from manufacturing defects and to conform to currently applicable ASTM standards for a period of five (5) years from date of delivery. Buyer's remedy for breach of this warranty is limited to replacement of, or credit for, the defective product. This warranty excludes any expense for removal or reinstallation of any defective product and any other incidental, consequential, or punitive damages. **This limited warranty is the only warranty made by seller and is expressly in lieu of all other warranties, express and implied, including any warranties of merchantability and fitness for a particular purpose.** No statement, conduct or description by Charlotte Pipe or its representative, in addition to or beyond this Limited Warranty, shall constitute a warranty. This Limited Warranty may only be modified in writing signed by an officer of Charlotte Pipe.

This Limited Warranty will not apply if:

- 1) The Products are used for purposes other than their intended purpose as defined by local plumbing and building codes, and the applicable ASTM standard.
- 2) The Products are not installed in good and workmanlike manner consistent with normal industry standards; installed in compliance with the latest instructions published by Charlotte Pipe and good plumbing practices; and installed in conformance with all applicable plumbing, fire and building code requirements.
- 3) This limited warranty does not apply when the products of Charlotte Pipe are used with the products of other manufacturers that do not meet the applicable ASTM or CISPI standards or that are not marked in a manner to indicate the entity that manufactured them.
- 4) In hubless cast iron installations, this warranty will not apply if products are joined with unshielded hubless couplings. Charlotte Pipe requires that its hubless cast iron pipe and fittings be joined only with shielded hubless couplings manufactured in accordance with CISPI 310, ASTM C 1277 and certified by NSF® International or with Heavy Duty Couplings meeting ASTM C 1540.
- 5) The Products fail due to defects or deficiencies in design, engineering, or installation of the piping system of which they are a part.
- 6) The Products have been the subject of modification; misuse; misapplication; improper maintenance or repair; damage caused by the fault or negligence of anyone other than Charlotte Pipe; or any other act or event beyond the control of Charlotte Pipe.
- 7) The Products fail due to the freezing of water in the Products.
- 8) The Products fail due to contact with chemical agents, fire stopping materials, thread sealant, plasticized vinyl products, or other aggressive chemical agents that are not compatible.
- 9) Pipe outlets, sound attenuation systems or other devices are permanently attached to the surface of Charlotte® PVC, ABS or CPVC products with solvent cement or adhesive glue.

Charlotte Pipe products are manufactured to the applicable ASTM or CISPI standard. Charlotte Pipe and Foundry **cannot** accept responsibility for the performance, dimensional accuracy, or compatibility of pipe, fittings, gaskets, or couplings not manufactured or sold by Charlotte Pipe and Foundry.

This Limited Warranty will not apply unless written notice of a claim is mailed to Charlotte Pipe at the address below within 30 days of discovery of the allegedly defective product.

Any Charlotte Pipe products alleged to be defective **must** be made available to Charlotte Pipe at the following address for verification, inspection and determination of cause:

Charlotte Pipe and Foundry Company
Attention: Technical Services
2109 Randolph Road
Charlotte, North Carolina 28207

Purchaser must obtain a return materials authorization and instructions for return shipment to Charlotte Pipe of any product claimed defective or shipped in error.

Any Charlotte Pipe product **proved** to be defective in manufacture will be replaced F.O.B. point of original delivery, or credit will be issued, at the discretion of Charlotte Pipe.

4/20/21

Charlotte, Charlotte Pipe and "You can't beat the system" are registered trademarks of Charlotte Pipe and Foundry Company.

PO BOX 35430 CHARLOTTE, NORTH CAROLINA 28235
SALES PHONE (704) 348 6450 (800) 572 4199
TECHNICAL PHONE (800) 438 6091 FAX (800) 553 1605
WWW.CHARLOTTEPIPE.COM

Notes

CHARLOTTE

PIPE AND FOUNDRY COMPANY®

PO BOX 35430

CHARLOTTE

NORTH CAROLINA 28235

PHONE (704) 348-6450

(800) 438-6091

FAX (800) 553-1605

WWW.CHARLOTTEPIPE.COM



All products manufactured by
Charlotte Pipe and Foundry Company
are proudly made in the U.S.A.