

Vertical Positioning of Hinges

Although Euro-style concealed hinges allow for some vertical adjustment, the mounting plate must line up with the hinge arm if the two are to snap together and provide the maximum possible adjustment range. The easiest way to accomplish this is to mark aligning horizontal centerlines on both the door and the cabinet. You need to consider the amount of the door's overlay or inset when calculating the centerline positions for the door.

- For the top hinge, measure down from the top of the cabinet opening to the desired mounting location (typically 2"-3") and use a combination square to mark the horizontal centerline on the inside of the cabinet. (For the bottom hinge, measure up from the bottom of the cabinet opening.)
Note: Be sure your hinge positions will provide adequate clearance for any pullouts.
- To determine the centerline location on the door, start with the distance you measured in Step 1.
 - For overlay doors, add the amount the door will overlap at that edge.
 - For inset doors, subtract the amount of the reveal at that edge.
- Use the values calculated for the top and bottom hinge locations in Step 2 and mark the horizontal centerlines on the back of the door. Compare the distance between the lines on the cabinet with the distance between the lines on the door to verify.

Installing Hinges

- Refer to the Door Diagram to mark drilling locations for the hinge cup holes and mounting screw holes on the door.
- Using a 35mm Forstner bit, drill a hole 11mm deep for the hinge cup, taking care to keep the bit as square as possible to the door.
Note: For fast, easy and accurate location and drilling of hinge cup holes, we recommend using the JIG IT Deluxe Concealed Hinge Drilling System (53420, sold separately) along with a Rockler 35mm Long-Shank Forstner Bit (10117, sold separately). For those using a drill press, a dedicated JIG IT setup block is available (58488, sold separately).
- Drill pilot holes for the screws, taking care not to drill all the way through the door.
- Position the hinge cup in the hole and use the included screws to secure in place.
- Repeat Steps 2-4 at other hinge location(s).

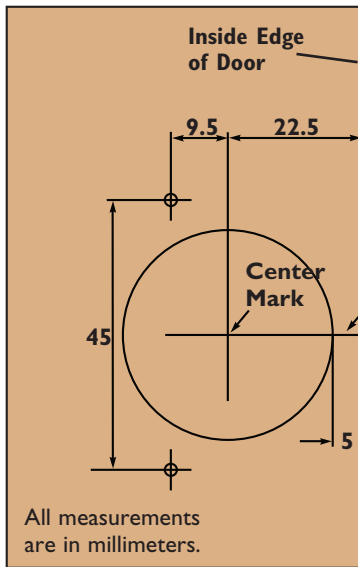


Installing Mounting Plates

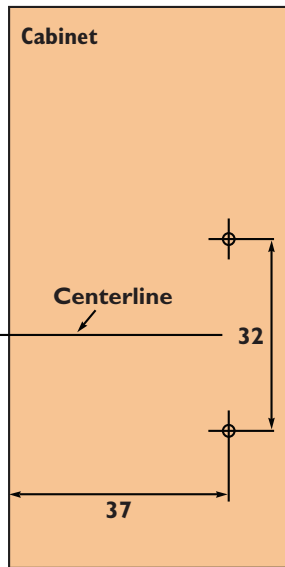
- Refer to the Face Frame Diagram to mark drilling locations for the hinge plates.
- Drill pilot holes for the mounting screws, taking care not to drill all the way through the cabinet side.
Note: For fast, easy and accurate location and drilling of mounting plate pilot holes, we recommend using the JIG IT Hinge Plate Template A (50375, sold separately) along with a Rockler/Insty-Drive #6 Self-Centering Bit (68991, sold separately).
- Use the included screws to secure the mounting plates onto the face frame.
- Mount the doors by clipping the hinge arms onto the mounting plates.

Check Rockler.com for updates. If you have further questions, please contact our Technical Support Department at 1-800-260-9663 or support@rockler.com

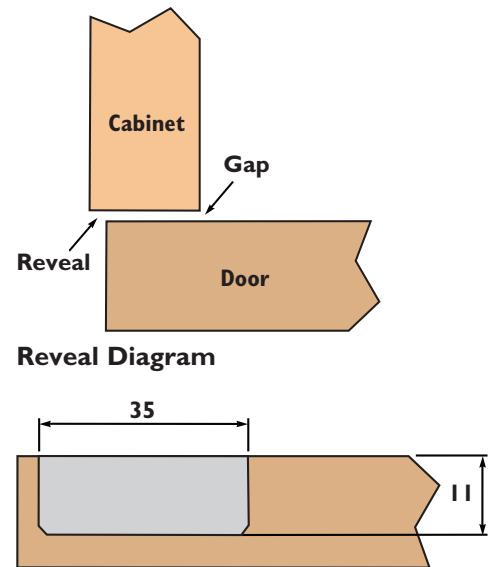
Hinge	Finish	Tab	Cup Diameter	Cup Depth	Minimum Door Thickness	Maximum Door Thickness	Adjustments	Gap	Clip-on Mounting	Minimum Reveal
Blum 170° Clip Top	Nickel	5mm	35mm	11mm	16mm (.63")	24mm (.94")	3-way cam	1mm	Yes	0mm



Door Diagram

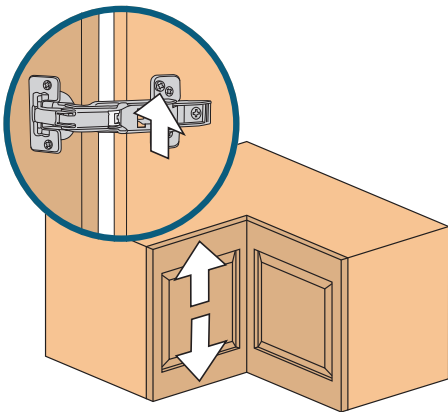


Cabinet Diagram



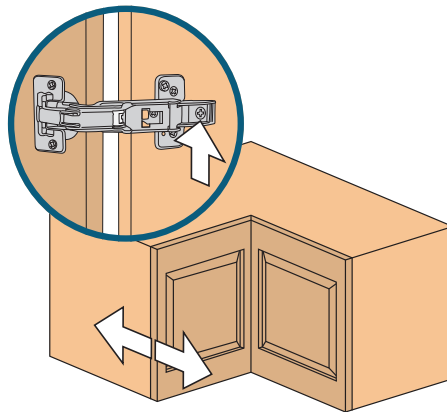
Reveal Diagram

Cup Depth Diagram



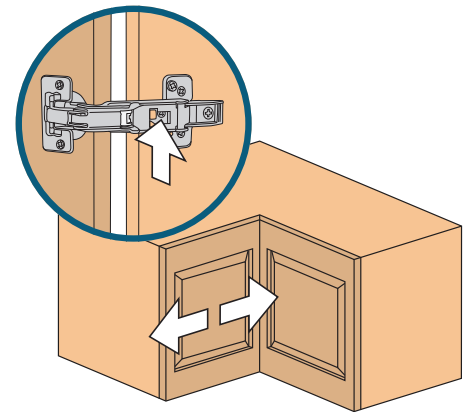
Height Adjustment

Turning this screw clockwise adjusts the door down; counterclockwise, up.



Depth Adjustment

Turning this screw clockwise adjusts the door inward; counterclockwise, outward.



Lateral Adjustment

Turning this screw clockwise adjusts the door to the right; counterclockwise, to the left.

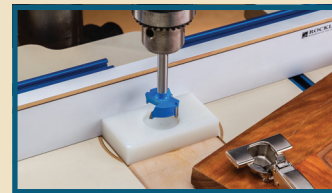
OPTIONAL ACCESSORIES



JIG IT® Deluxe Concealed Hinge Drilling Jig
53420



JIG IT® Template A Door Hinge Jig
50375



JIG IT® 5mm Hinge Cup Drill Press Drilling Jig
58488