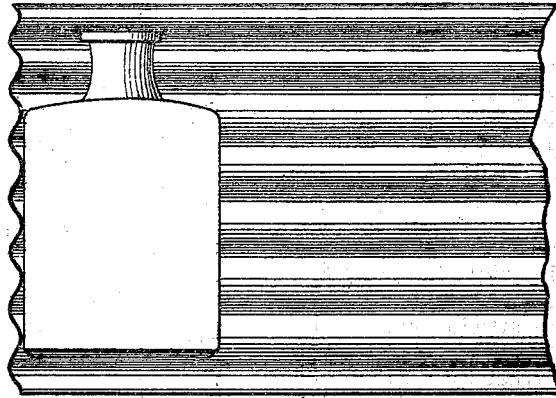


Improvement in Paper for Packing.

No. 122,023.

Patented Dec. 19, 1871.

Fig. 1



A

Fig. 3

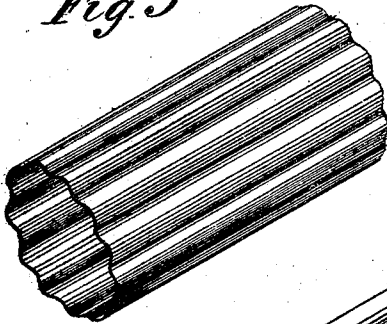
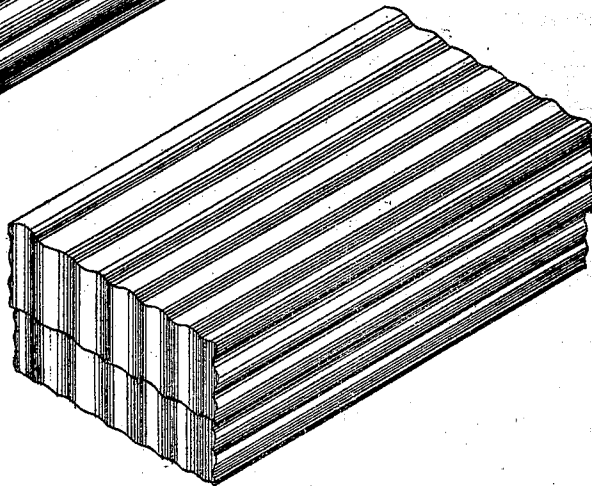


Fig. 2



Witnesses:

A. W. Almqvist
Geo. H. Mabee

Inventor:

A. L. Jones

PER

Munn & Co.
 Attorneys.

UNITED STATES PATENT OFFICE.

ALBERT L. JONES, OF NEW YORK, N. Y.

IMPROVEMENT IN PAPER FOR PACKING.

Specification forming part of Letters Patent No. 122,023, dated December 19, 1871.

To all whom it may concern:

Be it known that I, ALBERT L. JONES, of New York city, in the county and State of New York, have invented a new and Improved Corrugated Packing-Paper, of which the following is a specification:

The object of this invention is to provide means for securely packing vials and bottles with a single thickness of the packing material between the surface of the article packed; and it consists in paper, card-board, or other suitable material, which is corrugated, crimped, or bossed, so as to present an elastic surface by reason of such corrugated, crimped, or bossed surface, as will be hereinafter more fully described.

In the accompanying drawing, Figure 1 represents a section of such packing with one end turned up on the side of a vial so as to show the end of the material. Fig. 2 is a perspective view of a packing-box made of corrugated material. Fig. 3 is an end view of a bottle-packing cylinder.

Similar letters of reference indicate corresponding parts.

A is the corrugated material. As seen in Fig. 1, the corrugated material being wrapped around the glass vial presents an elastic surface, which

is a protection to the vial, and more effective to prevent breaking than many thicknesses of the same material would be if in a smooth state like ordinary packing-paper.

Instead of wrapping the vials or bottles with the corrugated material, the latter may be made into packing-boxes, so that the vial or bottle may be surrounded by the same elastic surface.

I do not confine myself to vials and bottles in the use of this packing, as it may be used to advantage for various purposes. Neither do I confine myself to any particular material or substance, as there are many substances besides paper or pasteboard which can be corrugated for this purpose.

Having thus described my invention, I claim as new and desire to secure by Letters Patent—

As a new and improved article of manufacture, the corrugated packing A, substantially as described.

The above specification of my invention signed by me this 1st day of November, 1871.

A. L. JONES.

Witnesses:

GEO. W. MABEE,
T. B. MOSHER.

(108)