



www.Source1Parts.com

**GM8S UPFLOW/HORIZONTAL (80%)
NATURAL GAS FURNACES (STYLE C, see back)
INCLUDING LO-NOX MODELS LM8S**

HVAC SERVICE PARTS

Supersedes: 035-20835-001 Rev. E (1206)

035-20835-001 Rev. F (1007)

1 of 8

CLICK ANYWHERE on THIS PAGE to RETURN to YORK HVAC AGE & MANUALS & ERROR CODES at InspectApedia.com

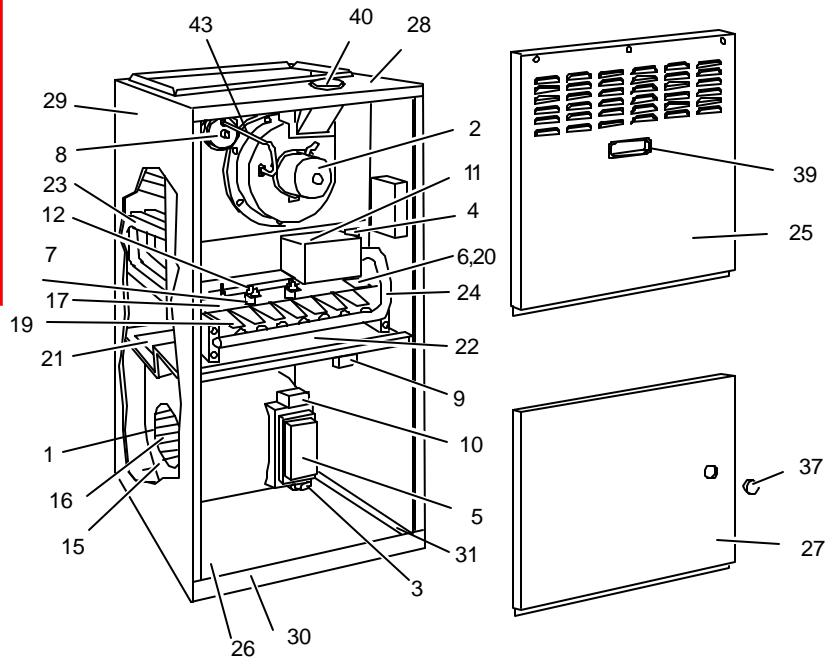


Figure 1: UPFLOW/HORIZONTAL GAS FURNACES (80%)

| FIG | ITEM | DESCRIPTION | GM8S040A12UH11C | GM8S060A12UH11C | GM8S080A12UH11C | GM8S080B16UH11C |
|-------------------|------|--|-----------------|-----------------|-----------------|-----------------|
| | | | LM8S040A12UH11C | LM8S060A12UH11C | LM8S080A12UH11C | LM8S080B16UH11C |
| | | | (2 BURNER) | (3 BURNER) | (4 BURNER) | (4 BURNER) |
| MOTOR | | | | | | |
| 1 | 1 | MOTOR, DIRECT DRIVE BLOWER | 024-35647-000 | 024-35647-000 | 024-35647-000 | 024-26002-000 |
| 1 | 2 | MOTOR, VENTOR ASS'Y | 024-35329-000 | 024-35329-000 | 024-35329-000 | 024-35329-000 |
| ELECTRICAL | | | | | | |
| 1 | 3 | CAPACITOR (10MFD/370V) [RC] | 024-20046-000 | 024-20046-000 | 024-20046-000 | 024-20046-000 |
| 1 | 4 | CONTROL, HIGH LIMIT [LS1] | 025-29041-011 | 025-29041-002 | 025-29041-005 | 025-29041-005 |
| 1 | 5 | CONTROL, FURNACE [FC] | 031-01972-000 | 031-01972-000 | 031-01972-000 | 031-01972-000 |
| 1 | 6 | IGNITER | 025-32625-000 | 025-32625-000 | 025-32625-000 | 025-32625-000 |
| 1,2 | 7 | SENSOR, FLAME | 025-27773-000 | 025-27773-000 | 025-27773-000 | 025-27773-000 |
| 1 | 8 | SWITCH, AIR PRESSURE [1LP] | 024-35270-000 | 024-35271-000 | 024-35271-000 | 024-35271-000 |
| 1 | 9 | SWITCH, DOOR [SW] | 024-31943-000 | 024-31943-000 | 024-31943-000 | 024-31943-000 |
| 1 | 10 | TRANSFORMER | 025-30889-000 | 025-30889-000 | 025-30889-000 | 025-30889-000 |
| 1,2 | 11 | VALVE, GAS | 025-37426-000 | 025-37426-000 | 025-37426-000 | 025-37426-000 |
| 1,2 | 12 | CONTROL, LIMIT (Top) [ROS3] | 025-27747-016 | 025-27747-016 | 025-27747-016 | 025-27747-016 |
| 2 | 12A | CONTROL, LIMIT (Side, 2 Req'd) [ROS1, 2] | 025-27792-009 | 025-27792-009 | 025-27792-009 | 025-27792-009 |
| * | 14 | FUSE | 025-32746-026 | 025-32746-026 | 025-32746-026 | 025-32746-026 |
| AIR MOVING | | | | | | |
| 1 | 15 | HOUSING, BLOWER | 373-17827-001 | 373-17827-001 | 373-17827-001 | 373-17827-002 |
| 1 | 16 | WHEEL, BLOWER | 026-19654-003 | 026-19654-003 | 026-19654-003 | 026-19654-009 |

NOTE: *Not Shown

New replacement parts shown in **bold** face type at the first printing of parts list dated 10/07.

Major components and suggested stocking items are shown with shaded item number.

"<" Across from row indicates a change in that row.

--- Not applicable to specified model.

| FIG | ITEM | DESCRIPTION | GM8S040A12UH11C | GM8S060A12UH11C | GM8S080A12UH11C | GM8S080B16UH11C |
|-------------------------|------|--------------------------------|-----------------|-----------------|-----------------|-----------------|
| | | | LM8S040A12UH11C | LM8S060A12UH11C | LM8S080A12UH11C | LM8S080B16UH11C |
| | | | (2 BURNER) | (3 BURNER) | (4 BURNER) | (4 BURNER) |
| FABRICATED PARTS | | | | | | |
| 1 | 17 | SHIELD, SECONDARY AIR | 073-17404-002 | 073-17404-003 | 073-17404-004 | 073-17404-004 |
| * | 18 | BAFFLE, FLUE | 073-17775-001 | 073-17775-001 | 073-17775-002 | 073-17775-002 |
| 1,2 | 19 | BURNER, MAIN GAS | 029-20482-000 | 029-20482-000 | 029-20482-000 | 029-20482-000 |
| 1 | 20 | BRACKET, IGNITER | 073-17403-000 | 073-17403-000 | 073-17403-000 | 073-17403-000 |
| 1 | 21 | DECK, BLOWER (Rear) | 073-17502-001 | 073-17502-001 | 073-17502-001 | 073-12081-000 |
| 1 | 22 | DECK, FRONT | 073-17496-000 | 073-17496-000 | 073-17496-000 | 073-17497-000 |
| 1 | 23 | HEAT EXCHANGER ASS'Y (Primary) | 373-23820-009 | 373-23820-010 | 373-23820-011 | 373-23820-015 |
| 1,2 | 24 | MANIFOLD, GAS | 029-22114-001 | 029-22114-002 | 029-22114-003 | 029-22114-003 |
| 1 | 25 | PANEL, VEST ACCESS (Burner) | 073-19862-031 | 073-19862-031 | 073-19862-031 | 073-19862-032 |
| 1 | 26 | PAN, BASE | 073-19813-090 | 073-19813-090 | 073-19813-090 | 073-19812-090 |
| 1 | 27 | PANEL, BLOWER ACCESS | 073-19862-041 | 073-19862-041 | 073-19862-041 | 073-19862-042 |
| 1 | 28 | PANEL, TOP | 073-19862-065 | 073-19862-065 | 073-19862-065 | 073-19862-066 |
| 1 | 29 | WRAPPER, INSULATED | 373-19862-011 | 373-19862-011 | 373-19862-011 | 373-19862-012 |
| 1 | 30 | CHANNEL, TOE PLATE | 073-19862-055 | 073-19862-055 | 073-19862-055 | 073-19862-056 |
| 1 | 31 | BASE FRAME, SIDE (2 Req'd) | 073-19811-085 | 073-19811-085 | 073-19811-085 | 073-19811-085 |
| * | 32 | PLATE, RESTRICTOR | 073-23821-010 | 073-23821-011 | 073-23821-012 | 073-23821-013 |
| * | 33 | SHIELD, INDUCER | 073-19852-100 | 073-19852-100 | 073-19852-100 | 073-19852-100 |
| 2 | 34 | BRACKET, ROLL-OUT SWITCH | 073-12033-000 | 073-12033-000 | 073-12033-000 | 073-12033-000 |
| MISCELLANEOUS | | | | | | |
| | 35 | | | | | |
| | 36 | | | | | |
| 1 | 37 | PLUG HOLE WINDOW CLEAR-1.5 | 025-37005-000 | 025-37005-000 | 025-37005-000 | 025-37005-000 |
| 2 | 38 | ORIFICE, BURNER (Natural #45) | 029-21182-045 | 029-21182-045 | 029-21182-045 | 029-21182-045 |
| 1 | 39 | HANDLE, DOOR | 028-14886-000 | 028-14886-000 | 028-14886-000 | 028-14886-000 |
| 1 | 40 | COLLAR, FLUE | 073-17507-000 | 073-17507-000 | 073-17507-000 | 073-17507-000 |
| * | 41 | GROMMET, 1/2" DIA. | 025-30823-000 | 025-30823-000 | 025-30823-000 | 025-30823-000 |
| * | 42 | GASKET, RESTRICTOR PLATE | 028-13258-000 | 028-13258-000 | 028-13259-000 | 028-13281-000 |
| 1 | 43 | TUBING, SILICONE | 028-12499-000 | 028-12499-000 | 028-12499-000 | 028-12499-000 |
| * | 44 | SPRING, DOOR | 029-22119-000 | 029-22119-000 | 029-22119-000 | 029-22119-000 |
| * | 45 | WIRING DIAGRAM | 166738 | 166738 | 166738 | 166738 |
| * | 46 | WIRING HARNESS | 025-39871-001 | 025-39871-001 | 025-39871-001 | 025-39871-001 |
| * | 47 | FERRULE (3 Req'd) | 023-20541-000 | 023-20541-000 | 023-20541-000 | 023-20541-000 |
| * | 48 | GROMMET (3 Req'd) | 028-14740-000 | 028-14740-000 | 028-14740-000 | 028-14740-000 |
| * | 49 | | | | | |
| * | 50 | MOTOR MOUNT | 073-19831-001 | 073-19831-001 | 073-19831-001 | 073-19831-001 |
| * | 51 | LO-NOX SCREEN (LM8S ONLY) | 026-35452-000 | 026-35452-000 | 026-35452-000 | 026-35452-000 |

NOTE: *Not Shown

New replacement parts shown in **bold** face type at the first printing of parts list dated 10/07.

Major components and suggested stocking items are shown with shaded item number.

"<" Across from row indicates a change in that row.

--- Not applicable to specified model.

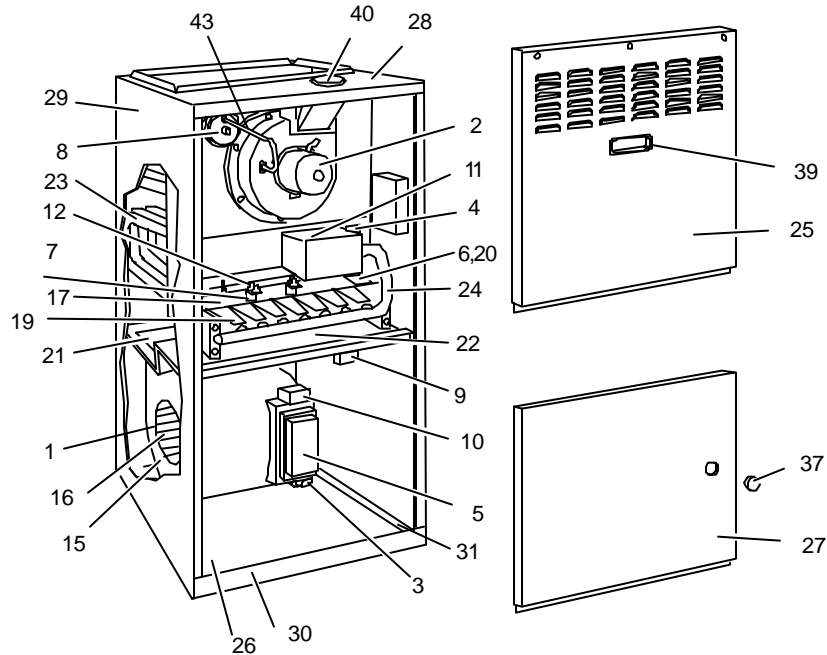


Figure 1: UPFLOW/HORIZONTAL GAS FURNACES (80%)

| FIG | ITEM | DESCRIPTION | GM8S080C16UH11A | GM8S080C22UH11C | GM8S100B12UH11C |
|-------------------|------|--|-------------------------------|-------------------------------|-------------------------------|
| | | | LM8S080C16UH11A (4 BURNER) | LM8S080C20UH11C (4 BURNER) | LM8S100B12UH11C (5 BURNER) |
| MOTOR | | | | | |
| 1 | 1 | MOTOR, DIRECT DRIVE BLOWER | 024-26002-000 | 024-32056-000 | 024-35647-000 |
| 1 | 2 | MOTOR, VENTOR ASS'Y | 024-35329-000 | 024-35329-000 | 024-35329-000 |
| ELECTRICAL | | | | | |
| 1 | 3 | CAPACITOR (10MFD/370V) [RC] | 024-20046-000 | --- | 024-20046-000 |
| | | CAPACITOR (15MFD/370V) [RC] | --- | 024-25900-000 | --- |
| 2 | 4 | CONTROL, HIGH LIMIT [LS1] | 025-29041-005 | 025-29041-005 | 025-29041-005 |
| 1 | 5 | CONTROL, FURACE [FC] | 031-01972-000 | 031-01972-000 | 031-01972-000 |
| 1 | 6 | IGNITER | 025-32625-000 | 025-32625-000 | 025-32625-000 |
| 1,2 | 7 | SENSOR, FLAME | 025-27773-000 | 025-27773-000 | 025-27773-000 |
| 1 | 8 | SWITCH, AIR PRESSURE [1LP] | 024-35271-000 | 024-35271-000 | 024-35272-000 |
| 1 | 9 | SWITCH, DOOR [SW] | 024-31943-000 | 024-31943-000 | 024-31943-000 |
| 1 | 10 | TRANSFORMER | 025-30889-000 | 025-30889-000 | 025-30889-000 |
| 1,2 | 11 | VALVE, GAS | 025-37426-000 | 025-37426-000 | 025-37426-000 |
| 1,2 | 12 | CONTROL, LIMIT (Top) [ROS3] | 025-27747-016 | 025-27747-016 | 025-27747-018 |
| 2 | 12A | CONTROL, LIMIT (Side, 2 Req'd) [ROS1, 2] | 025-27792-009 | 025-27792-009 | 025-27792-009 |
| | 13 | | | | |
| * | 14 | FUSE | 025-32746-026 | 025-32746-026 | 025-32746-026 |
| AIR MOVING | | | | | |
| 1 | 15 | HOUSING, BLOWER | 373-17828-001 | 373-19870-502 | 373-17827-001 |
| 1 | 16 | WHEEL, BLOWER | 026-19654-005 | 026-38510-000 | 026-19654-003 |
| * | 16A | PANEL, FILLER WRAP | --- | --- | --- |

NOTE: *Not Shown

New replacemnt parts shown in **bold** face type at the first printing of parts list code dated 10/07.

Major components and suggested stocking items are shown with shaded item number

"<" Across from row indicates a change in that row.

--- Not applicable to specified model.



| FIG | ITEM | DESCRIPTION | GM8S080C16UH11A | GM8S080C22UH11C | GM8S100B12UH11C |
|-------------------------|------|--------------------------------|-----------------|-----------------|-----------------|
| | | | LM8S080C16UH11A | LM8S080C20UH11C | LM8S100B12UH11C |
| | | | (4 BURNER) | (4 BURNER) | (5 BURNER) |
| FABRICATED PARTS | | | | | |
| 1 | 17 | SHIELD, SECONDARY AIR | 073-17404-004 | 073-17404-004 | 073-17404-005 |
| * | 18 | BAFFLE, FLUE | 073-17775-002 | 073-17775-002 | 073-17775-003 |
| 1,2 | 19 | BURNER, MAIN GAS | 029-20482-000 | 029-20482-000 | 029-20482-000 |
| 1 | 20 | BRACKET, IGNITER | 073-17403-000 | 073-17403-000 | 073-17403-000 |
| 1 | 21 | DECK, BLOWER (Rear) | 073-12081-000 | 073-23737-001 | 073-12081-000 |
| 1 | 22 | DECK, FRONT | 073-17498-000 | 073-17498-000 | 073-17497-000 |
| 1 | 23 | HEAT EXCHANGER ASS'Y (Primary) | 373-23820-016 | 373-23820-016 | 373-23820-012 |
| 1,2 | 24 | MANIFOLD, GAS | 029-22114-003 | 029-22114-003 | 029-22114-004 |
| 1 | 25 | PANEL, VEST ACCESS (Burner) | 073-19862-033 | 073-19862-033 | 073-19862-032 |
| 1 | 26 | PAN, BASE | 073-19816-090 | 073-19816-090 | 073-19812-090 |
| 1 | 27 | PANEL, BLOWER ACCESS | 073-19862-043 | 073-19862-043 | 073-19862-042 |
| 1 | 28 | PANEL, TOP | 073-19862-067 | 073-19862-067 | 073-19862-066 |
| 1 | 29 | WRAPPER, INSULATED | 373-19862-013 | 373-19862-013 | 373-19862-012 |
| 1 | 30 | CHANNEL, TOE PLATE | 073-19862-057 | 073-19862-057 | 073-19862-056 |
| 1 | 31 | BASE FRAME, SIDE (2 Req'd) | 073-19811-085 | 073-19811-085 | 073-19811-085 |
| * | 32 | PLATE, RESTRICTOR (N-Models) | 073-23821-014 | 073-23821-014 | 073-23821-015 |
| | | PLATE, RESTRICTOR (L-Models) | 073-23821-014 | 073-23821-008 | 073-23821-015 |
| * | 33 | SHIELD, INDUCER | 073-19852-100 | 073-19852-100 | 073-19852-100 |
| 2 | 34 | BRACKET, ROLL-OUT SWITCH | 073-12033-000 | 073-12033-000 | 073-12033-000 |
| MISCELLANEOUS | | | | | |
| | 35 | | | | |
| | 36 | | | | |
| 1 | 37 | PLUG HOLE WINDOW CLEAR-1.5 | 025-37005-000 | 025-37005-000 | 025-37005-000 |
| 2 | 38 | ORIFICE, BURNER (Natural #45) | 029-21182-045 | 029-21182-045 | 029-21182-045 |
| 1 | 39 | HANDLE, DOOR | 028-14886-000 | 028-14886-000 | 028-14886-000 |
| 1 | 40 | COLLAR, FLUE | 073-17507-000 | 073-17507-000 | 073-17507-000 |
| * | 41 | GROMMET, 1/2" DIA. | 025-30823-000 | 025-30823-000 | 025-30823-000 |
| * | 42 | GASKET, RESTRICTOR PLATE | 028-13282-000 | 028-13282-000 | 028-13260-000 |
| 1 | 43 | TUBING, SILICONE | 028-12499-000 | 028-12499-000 | 028-12499-000 |
| * | 44 | SPRING, DOOR | 029-22119-000 | 029-22119-000 | 029-22119-000 |
| * | 45 | WIRING DIAGRAM | 166738 | 166738 | 166738 |
| * | 46 | WIRING HARNESS | 025-39871-001 | 025-39871-001 | 025-39871-001 |
| * | 47 | FERRULE (3 Req'd) | 023-20541-000 | 023-20541-000 | 023-20541-000 |
| * | 48 | GROMMET (3 Req'd) | 028-14740-000 | 028-14740-000 | 028-14740-000 |
| | 49 | | | | |
| * | 50 | MOTOR MOUNT | 073-19831-001 | 073-19831-001 | 073-19831-001 |
| * | 51 | LO-NOX SCREEN (LM8S ONLY) | 026-35452-000 | 026-35452-000 | 026-35452-000 |

NOTE: *Not Shown

New replacement parts shown in **bold** face type at the first printing of parts list dated 10/07.

Major components and suggested stocking items are shown with shaded item number.

"<" Across from row indicates a change in that row.

--- Not applicable to specified model.

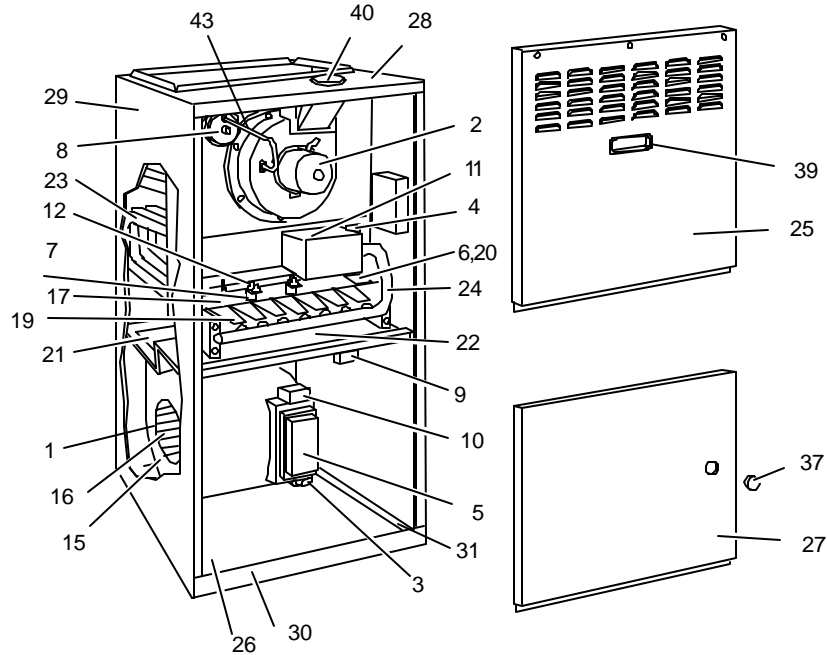


Figure 1: UPFLOW/HORIZONTAL GAS FURNACES (80%)

| FIG | ITEM | DESCRIPTION | GM8S100B16UH11C | GM8S100C16UH11A | GM8S100C20UH11C |
|-------------------|------|---|-----------------|-----------------|-----------------|
| | | | LM8S100B16UH11C | LM8S100C16UH11A | LM8S100C20UH11C |
| | | | (5 BURNER) | (5 BURNER) | (5 BURNER) |
| MOTOR | | | | | |
| 1 | 1 | MOTOR, DIRECT DRIVE BLOWER | 024-26002-000 | 024-26002-000 | 024-32056-000 |
| 1 | 2 | MOTOR, VENTOR ASS'Y | 024-35329-000 | 024-35329-000 | 024-35329-000 |
| ELECTRICAL | | | | | |
| 1 | 3 | CAPACITOR (10MFD/370V) [RC] | 024-20046-000 | 024-20046-000 | --- |
| | | CAPACITOR (15MFD/370V) [RC] | --- | --- | 024-25900-000 |
| 1 | 4 | CONTROL, HIGH LIMIT [LS1] | 025-29041-005 | 025-38970-000 | 025-38409-000 |
| 1 | 5 | CONTROL, FURNACE [FC] | 031-01972-000 | 031-01972-000 | 031-01972-000 |
| 1 | 6 | IGNITER | 025-32625-000 | 025-32625-000 | 025-32625-000 |
| 1,2 | 7 | SENSOR, FLAME | 025-27773-000 | 025-27773-000 | 025-27773-000 |
| 1 | 8 | SWITCH, AIR PRESSURE [1LP] | 024-35272-000 | 024-35272-000 | 024-35272-000 |
| 1 | 9 | SWITCH, DOOR [SW] | 024-31943-000 | 024-31943-000 | 024-31943-000 |
| 1 | 10 | TRANSFORMER | 025-30889-000 | 025-30889-000 | 025-30889-000 |
| 1,2 | 11 | VALVE, GAS | 025-37426-000 | 025-37426-000 | 025-37426-000 |
| 1,2 | 12 | CONTROL, LIMIT (Top, 2 Req'd) [ROS3] | 025-27747-018 | 025-27747-018 | 025-27747-018 |
| 2 | 12A | CONTROL, LIMIT (Side, 2 Req'd) [ROS1,2] | 025-27792-009 | 025-27792-009 | 025-27792-009 |
| | 13 | | | | |
| * | 14 | FUSE | 025-32746-026 | 025-32746-026 | 025-32746-026 |
| AIR MOVING | | | | | |
| 1 | 15 | HOUSING, BLOWER | 373-17827-002 | 373-17828-001 | 373-19870-502 |
| 1 | 16 | WHEEL, BLOWER | 026-19654-009 | 026-19654-005 | 026-38510-000 |
| * | 16A | PANEL, FILLER WRAP | --- | --- | 063-78006-000 |

NOTE: *Not Shown
 New replacement parts shown in **bold** face type at the first printing of parts list dated 10/07.
 Major components and suggested stocking items are shown with shaded item number.
 "<" Across from row indicates a change in that row.
 --- Not applicable to specified model.



| FIG | ITEM | DESCRIPTION | GM8S100B16UH11C | GM8S100C16UH11A | GM8S100C20UH11C |
|-------------------------|------|------------------------------------|-----------------|-----------------|-----------------|
| | | | LM8S100B16UH11C | LM8S100C16UH11A | LM8S100C20UH11C |
| | | | (5 BURNER) | (5 BURNER) | (5 BURNER) |
| FABRICATED PARTS | | | | | |
| 1 | 17 | SHIELD, SECONDARY AIR | 073-17404-005 | 073-17404-005 | 073-17404-005 |
| * | 18 | BAFFLE, FLUE | 073-17775-003 | 073-17775-003 | 073-17775-003 |
| 1,2 | 19 | BURNER, MAIN GAS | 029-20482-000 | 029-20482-000 | 029-20482-000 |
| 1 | 20 | BRACKET, IGNITER | 073-17403-000 | 073-17403-000 | 073-17403-000 |
| 1 | 21 | DECK, BLOWER (Rear) | 073-12081-000 | 073-12081-000 | 073-23737-001 |
| 1 | 22 | DECK, FRONT | 073-17497-000 | 073-17498-000 | 073-17498-000 |
| 1 | 23 | HEAT EXCHANGER ASS'Y (Primary) | 373-23820-012 | 373-23820-017 | 373-23820-017 |
| 1,2 | 24 | MANIFOLD, GAS | 029-22114-004 | 029-22114-004 | 029-22114-004 |
| 1 | 25 | PANEL, VEST ACCESS (Burner) | 073-19862-032 | 073-19862-033 | 073-19862-033 |
| 1 | 26 | PAN, BASE | 073-19812-090 | 073-19816-090 | 073-19816-090 |
| 1 | 27 | PANEL, BLOWER ACCESS | 073-19862-042 | 073-19862-043 | 073-19862-043 |
| 1 | 28 | PANEL, TOP | 073-19862-066 | 073-19862-067 | 073-19862-067 |
| 1 | 29 | WRAPPER, INSULATED | 373-19862-012 | 373-19862-013 | 373-19862-013 |
| 1 | 30 | CHANNEL, TOE PLATE | 073-19862-056 | 073-19862-057 | 073-19862-057 |
| 1 | 31 | BASE FRAME, SIDE (2 Req'd) | 073-19811-085 | 073-19811-085 | 073-19811-085 |
| * | 32 | PLATE, RESTRICTOR | 073-23821-015 | 073-23821-015 | 073-23821-016 |
| * | 33 | SHIELD, INDUCER | 073-19852-100 | 073-19852-100 | 073-19852-100 |
| 2 | 34 | BRACKET, ROLL-OUT SWITCH (2 Req'd) | 073-12033-000 | 073-12033-000 | 073-12033-000 |
| MISCELLANEOUS | | | | | |
| | 35 | | | | |
| | 36 | | | | |
| 1 | 37 | PLUG HOLE WINDOW CLEAR-1.5 | 025-37005-000 | 025-37005-000 | 025-37005-000 |
| 2 | 38 | ORIFICE, BURNER (Natural #45) | 029-21182-045 | 029-21182-045 | 029-21182-045 |
| 1 | 39 | HANDLE, DOOR | 028-14886-000 | 028-14886-000 | 028-14886-000 |
| 1 | 40 | COLLAR, FLUE | 073-17507-000 | 073-17507-000 | 073-17507-000 |
| * | 41 | GROMMET, 1/2" DIA. | 025-30823-000 | 025-30823-000 | 025-30823-000 |
| * | 42 | GASKET, RESTRICTOR PLATE | 028-13260-000 | 028-13260-000 | 028-13283-000 |
| 1 | 43 | TUBING, SILICONE | 028-12499-000 | 028-12499-000 | 028-12499-000 |
| * | 44 | SPRING, DOOR | 029-22119-000 | 029-22119-000 | 029-22119-000 |
| * | 45 | WIRING DIAGRAM | 166738 | 166738 | 166738 |
| * | 46 | WIRING HARNESS | 025-39871-001 | 025-39871-001 | 025-39871-001 |
| * | 47 | FERRULE (3 Req'd) | 023-20541-000 | 023-20541-000 | 023-20541-000 |
| * | 48 | GROMMET (3 Req'd) | 028-14740-000 | 028-14740-000 | 028-14740-000 |
| * | 49 | | | | |
| * | 50 | MOTOR MOUNT | 073-19831-001 | 073-19831-001 | 073-19831-001 |
| * | 51 | LO-NOX SCREEN (LM8S ONLY) | 026-35452-000 | 026-35452-000 | 026-35452-000 |

NOTE: *Not Shown

New replacement parts shown in **bold** face type at the first printing of parts list dated 10/07.

Major components and suggested stocking items are shown with shaded item number.

"<" Across from row indicates a change in that row.

--- Not applicable to specified model.

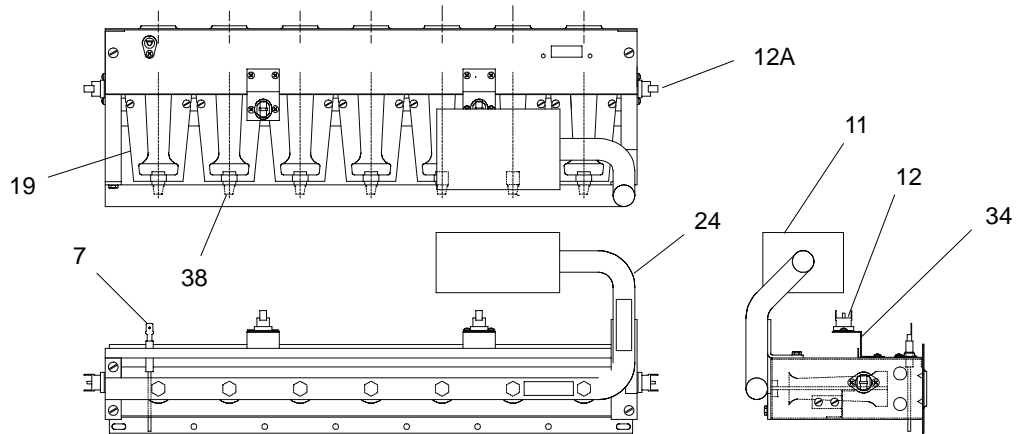


Figure 2: GAS CONTROLS

| FIG | ITEM | DESCRIPTION | GM8S115C16UH11C | GM8S115C20UH11C | GM8S130D20UH11C |
|-------------------|------|---|-----------------|-----------------|-----------------|
| | | | ---- | LM8S115C20UH11C | LM8S130D20UH11C |
| | | | (6 BURNER) | (6 BURNER) | (7 BURNER) |
| MOTOR | | | | | |
| 1 | 1 | MOTOR, DIRECT DRIVE BLOWER | 024-26002-000 | 024-32056-000 | 024-32056-000 |
| 1 | 2 | MOTOR, VENTOR ASS'Y | 024-35329-000 | 024-35329-000 | 024-35329-000 |
| ELECTRICAL | | | | | |
| 1 | 3 | CAPACITOR (10MFD/370V) [RC] | 024-20046-000 | --- | --- |
| | | CAPACITOR (15MFD/370V) [RC] | --- | 024-25900-000 | 024-25900-000 |
| 1 | 4 | CONTROL, HIGH LIMIT [LS1] | 025-29041-005 | 025-29041-005 | 025-29041-005 |
| 1 | 5 | CONTROL, FURNACE [FC] | 031-01972-000 | 031-01972-000 | 031-01972-000 |
| 1 | 6 | IGNITER | 025-32625-000 | 025-32625-000 | 025-32625-000 |
| 1,2 | 7 | SENSOR, FLAME | 025-27773-000 | 025-27773-000 | 025-27773-000 |
| 1 | 8 | SWITCH, AIR PRESSURE [1LP] | 024-35272-000 | 024-35272-000 | 024-35272-000 |
| 1 | 9 | SWITCH, DOOR [SW] | 024-31943-000 | 024-31943-000 | 024-31943-000 |
| 1 | 10 | TRANSFORMER | 025-30889-000 | 025-30889-000 | 025-30889-000 |
| 1,2 | 11 | VALVE, GAS | 025-37426-000 | 025-37426-000 | 025-37426-000 |
| 1,2 | 12 | CONTROL, LIMIT (Top, 2 Req'd) [ROS3] | 025-27747-018 | 025-27747-018 | 025-27747-018 |
| 2 | 12A | CONTROL, LIMIT (Side, 2 Req'd) [ROS1,2] | 025-27792-009 | 025-27792-009 | 025-27792-009 |
| | 13 | | | | |
| * | 14 | FUSE | 025-32746-026 | 025-32746-026 | 025-32746-026 |
| AIR MOVING | | | | | |
| 1 | 15 | HOUSING, BLOWER | 373-17828-001 | 373-19870-502 | 373-19870-502 |
| 1 | 16 | WHEEL, BLOWER | 026-19654-005 | 026-38510-000 | 026-38510-000 |
| * | 16A | PANEL, FILLER WRAP | --- | 063-78006-000 | 063-78006-000 |

NOTE: *Not Shown

New replacement parts shown in **bold** face type at the first printing of parts list dated 10/07.

Major components and suggested stocking items are shown with shaded item number.

"<" Across from row indicates a change in that row.

--- Not applicable to specified model.



| FIG | ITEM | DESCRIPTION | GM8S115C16UH11C | GM8S115C20UH11C | GM8S130D20UH11C |
|-------------------------|------|------------------------------------|-----------------|-----------------|-----------------|
| | | | --- | LM8S115C20UH11C | LM8S130D20UH11C |
| | | | (6 BURNER) | (6 BURNER) | (7 BURNER) |
| FABRICATED PARTS | | | | | |
| 1 | 17 | SHIELD, SECONDARY AIR | 073-17404-006 | 073-17404-006 | 073-17404-007 |
| * | 18 | BAFFLE, FLUE | 073-17775-004 | 073-17775-004 | 073-17775-005 |
| 1,2 | 19 | BURNER, MAIN GAS | 029-20482-000 | 029-20482-000 | 029-20482-000 |
| 1 | 20 | BRACKET, IGNITER | 073-17403-000 | 073-17403-000 | 073-17403-000 |
| 1 | 21 | DECK, BLOWER (Rear) | 073-12082-000 | 073-23737-001 | 073-23737-002 |
| 1 | 22 | DECK, FRONT | 073-17498-000 | 073-17498-000 | 073-17499-000 |
| 1 | 23 | HEAT EXCHANGER ASS'Y (Primary) | 373-23820-013 | 373-23820-013 | 373-23820-014 |
| 1,2 | 24 | MANIFOLD, GAS | 029-22114-005 | 029-22114-005 | 029-22114-006 |
| 1 | 25 | PANEL, VEST ACCESS (Burner) | 073-19862-033 | 073-19862-033 | 073-19862-034 |
| 1 | 26 | PAN, BASE | 073-19816-090 | 073-19816-090 | 073-19820-090 |
| 1 | 27 | PANEL, BLOWER ACCESS | 073-19862-043 | 073-19862-043 | 073-19862-044 |
| 1 | 28 | PANEL, TOP | 073-19862-063 | 073-19862-063 | 073-19862-064 |
| 1 | 29 | WRAPPER, INSULATED | 373-19862-013 | 373-19862-013 | 373-19862-014 |
| 1 | 30 | CHANNEL, TOE PLATE | 073-19862-053 | 073-19862-053 | 073-19862-054 |
| 1 | 31 | BASE FRAME, SIDE (2 Req'd) | 073-19811-085 | 073-19811-085 | 073-19811-085 |
| * | 32 | PLATE, RESTRICTOR | 073-23821-017 | 073-23821-018 | 073-23821-019 |
| * | 33 | SHIELD, INDUCER | 073-19852-100 | 073-19852-100 | 073-19852-100 |
| 2 | 34 | BRACKET, ROLL-OUT SWITCH (2 Req'd) | 073-12033-000 | 073-12033-000 | 073-12033-000 |
| MISCELLANEOUS | | | | | |
| | 35 | | | | |
| | 36 | | | | |
| 1 | 37 | PLUG HOLE WINDOW CLEAR-1.5 | 025-37005-000 | 025-37005-000 | 025-37005-000 |
| 2 | 38 | ORIFICE, BURNER (Natural #45) | 029-21182-045 | 029-21182-045 | 029-21182-045 |
| 1 | 39 | HANDLE, DOOR | 028-14886-000 | 028-14886-000 | 028-14886-000 |
| 1 | 40 | COLLAR, FLUE | 073-17507-000 | 073-17507-000 | 073-17507-000 |
| * | 41 | GROMMET, 1/2" DIA. | 025-30823-000 | 025-30823-000 | 025-30823-000 |
| * | 42 | GASKET, RESTRICTOR PLATE | 028-13261-000 | 028-13261-000 | 028-13262-000 |
| 1 | 43 | TUBING, SILICONE | 028-12499-000 | 028-12499-000 | 028-12499-000 |
| * | 44 | SPRING, DOOR | 029-22119-000 | 029-22119-000 | 029-22119-000 |
| * | 45 | WIRING DIAGRAM | 166738 | 166738 | 166738 |
| * | 46 | WIRING HARNESS | 025-39871-002 | 025-39871-002 | 025-39871-002 |
| * | 47 | FERRULE (3 Req'd) | 023-20541-000 | 023-20541-000 | 023-20541-000 |
| * | 48 | GROMMET (3 Req'd) | 028-14740-000 | 028-14740-000 | 028-14740-000 |
| * | 49 | | | | |
| * | 50 | MOTOR MOUNT | 073-19831-001 | 073-19831-001 | 073-19831-001 |
| * | 51 | LO-NOX SCREEN (LM8S ONLY) | 026-35452-000 | 026-35452-000 | 026-35452-000 |

NOTE: *Not Shown
 New replacement parts shown in **bold** face type at the first printing of parts list dated 10/07.
 Major components and suggested stocking items are shown with shaded item number.
 "<" Across from row indicates a change in that row.
 --- Not applicable to specified model.

NOTE:
 This parts list also contains new 80 & 100 - 4T - 21" cabinet "Style A" models designed and produced after the "Style C" models on this list.

TO ORDER AUTHORIZED FACTORY REPLACEMENT PARTS - Contact your Source1 HVAC Parts Distributor or visit our website at www.Source1Parts.com for a Distributor and Dealer listing.