



WHITE-RODGERS

1F90 and 1F97

Addendum to
INSTALLATION INSTRUCTIONS

FAILURE TO READ AND FOLLOW ALL INSTRUCTIONS CAREFULLY BEFORE INSTALLING OR OPERATING THIS CONTROL COULD CAUSE PERSONAL INJURY AND/OR PROPERTY DAMAGE.

PRECAUTIONS

If in doubt about whether your wiring is millivolt, line, or low voltage, have it inspected by a qualified heating and air conditioning contractor, electrician, or someone familiar with basic electricity and wiring.

Do not exceed the specification ratings.

All wiring must conform to local and national electrical codes and ordinances.

CAUTION

To prevent electrical shock and/or equipment damage, disconnect electric power to system, at main fuse or circuit breaker box, until installation is complete.

Do not short out terminals on gas valve or primary control to test. Short or incorrect wiring will burn out thermostat and could cause personal injury and/or property damage.

INSTALLATION

WHEN THIS THERMOSTAT IS CONNECTED TO SOME SYSTEMS THAT USE HIGH IMPEDANCE INPUT ELECTRONIC MODULES, YOU MAY OBSERVE THE FOLLOWING CONDITIONS.

1. The furnace fan may turn on when heat has not been called, or may not turn off when thermostat is satisfied and call for heat ends.
2. The furnace may not turn off when thermostat is satisfied and call for heat ends.
3. The air conditioner may not turn off when thermostat is satisfied and call for cool ends.

If you observe any or all of these conditions after installing thermostat, you can correct system operation by installing isolation relays between the thermostat and the electronic ignition module. Figures 1 and 2 show how three isolation relays can be installed [one each for the fan (G), heat (W), and cool (Y)]. You may not need to install all three isolation relays to correct the operation conditions.

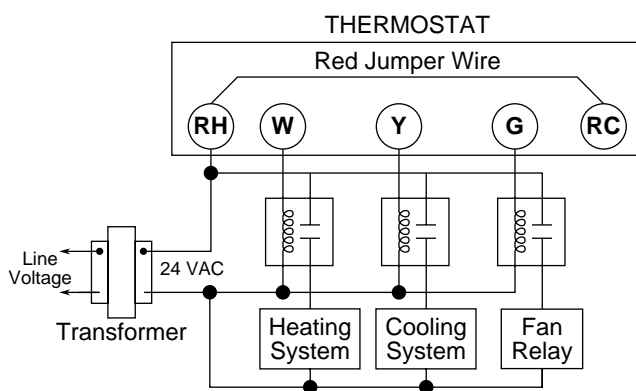


Figure 1. Wiring for single transformer systems

Figure 1 shows a single transformer heating/cooling system, with isolation relays installed in the heating (W), cooling (Y), and fan (G) circuits. To simplify the diagram, limit and safety switches are not shown here, although they will be found either in the low or high voltage circuit. Limit and safety switches **must be retained**. Refer to the equipment manufacturer's system wiring diagram for the location of limit and safety switches.

WARNING

DO NOT REMOVE OR WIRE AROUND LIMIT AND SAFETY SWITCHES WHEN INSTALLING ISOLATION RELAYS.



WHITE-RODGERS DIVISION
EMERSON ELECTRIC CO.
9797 REAVIS ROAD
ST. LOUIS, MISSOURI 63123-5398

Printed in U.S.A.

PART NO. 37-5426A

9507

INSTALLATION (cont'd)

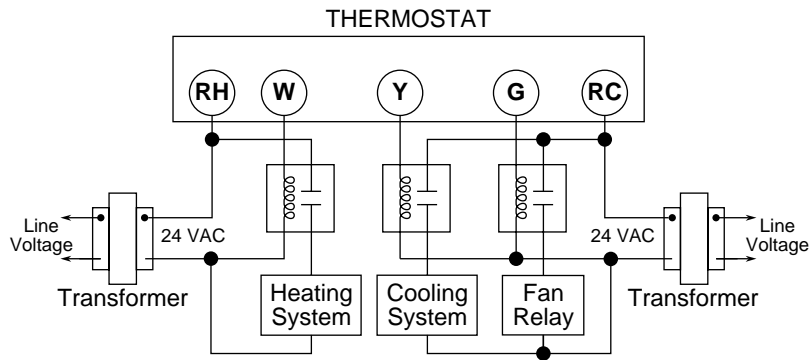


Figure 2. Wiring for two-transformer systems

Figure 2 shows a two-transformer heating/cooling system, with isolation relays installed in the heating (**W**), cooling (**Y**), and fan (**G**) circuits. To simplify the diagram, limit and safety switches are not shown here, although they are found either in the low or high voltage circuit. Limit and safety switches **must be retained**. Refer to the equipment manufacturer's system wiring diagram for the location of limit and safety switches.

⚠ WARNING
DO NOT REMOVE OR WIRE AROUND LIMIT AND SAFETY SWITCHES WHEN INSTALLING ISOLATION RELAYS.