



HEAT PUMP AIR HANDLERS AND FAN COIL UNIT



14AH SERIES

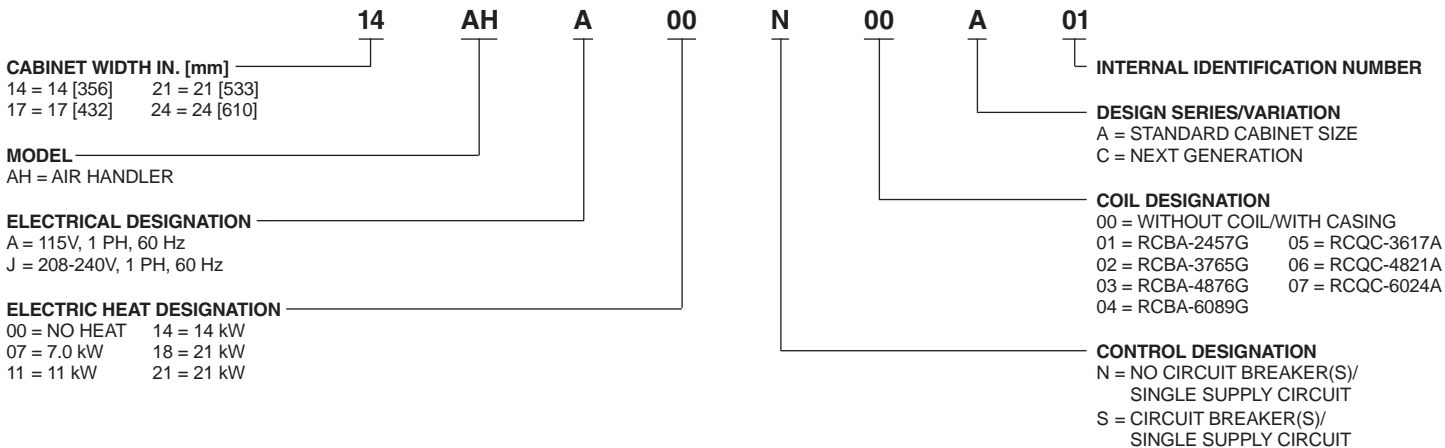
Features

- 1½ ton [5 kW] through 5 ton [18 kW] models are always just 35 inches [889 mm] tall and 22 inches [559 mm] deep.
- Versatile 3-way convertible design for upflow, downflow and horizontal configurations. (Upflow is standard.)
- All models meet or exceed 400 CFM [189 L/s] per ton at .5 inches [12 kPa] of external static pressure.
- For use with factory or field installed MultiFlex® coils.
- Sturdy double wall construction with .5 inches [12 kPa] of thermal and sound insulation.
- Permanent, easily accessible and washable filter furnished standard.
- Circuit breaker (standard on units with more than 11 kW) meets U.L. and cUL requirements for service disconnect.
- Factory installed auxiliary electric heat. Provides exacting heat for indoor comfort.
- Watt restrictors, standard on 14AH models above 6 kW and on models above 11 kW, stage supplemental heat so that only the necessary amount is engaged to maintain comfort in the conditioned space.



"CERTIFIED UNDER THE
A.R.I. CERTIFICATION
PROGRAM—A.R.I.
STANDARDS 210/240-84"

Model Identification



Cabinet Width In. [mm]	A 115V 1 PH 60 Hz	J 208-240V 1 PH 60 Hz	Coil Model	A) Motor H.P. B) Blower CFM [L/s] Lo/High Speed C) Blower Wheel Dia./Width In. [mm] D) Filter Size Width/Length In. [mm]	Outdoor Unit Size
	N	S			
14 14.0 [356]	00	06 11	RCBA-2457G	A) 1/8 H.P. B) Lo 600 [283] Hi 800 [378] C) 11.9 x 3.81 [302 x 97] D) 12.75 x 21 [324 x 533]	18 24
17 17.5 [445]	00	06 11 14	RCBA-3765G RCQC-3617A	A) 1/4 H.P. B) Lo 1000 [472] Hi 1200 [566] C) 11.9 x 5.29 [302 x 134] D) 16.25 x 21 [413 x 533]	30 36
21 21.0 [533]	00	11 14 18	RCBA-4882G RCQC-4821A	A) 1/3 H.P. B) Lo 1400 [661] Hi 1600 [755] C) 11.9 x 7.12 [302 x 181] D) 19.75 x 21 [502 x 533]	42 48
24 24.5 [622]	00	11 18 21	RCBA-6089G RCQC-6024A	A) 1/2 H.P. B) Hi 2000 [944] C) 11.9 x 9.50 [302 x 241] D) 23.25 x 21 [591 x 533]	60

- NOTES:** (1) Coil piston size indicated by last two digits of RCBA- coil model number.
 (2) Electric heater BTUH = (heater watts + motor watts) x 3.412 (See airflow table for motor watts).
 (3) Models with **BOLD** numerals in the electrical heat (kw) column, have watt restrictor and defrost heat controls.
 (4) Some outdoor units require piston change. See outdoor unit specification for details.

[] Designates Metric Conversions

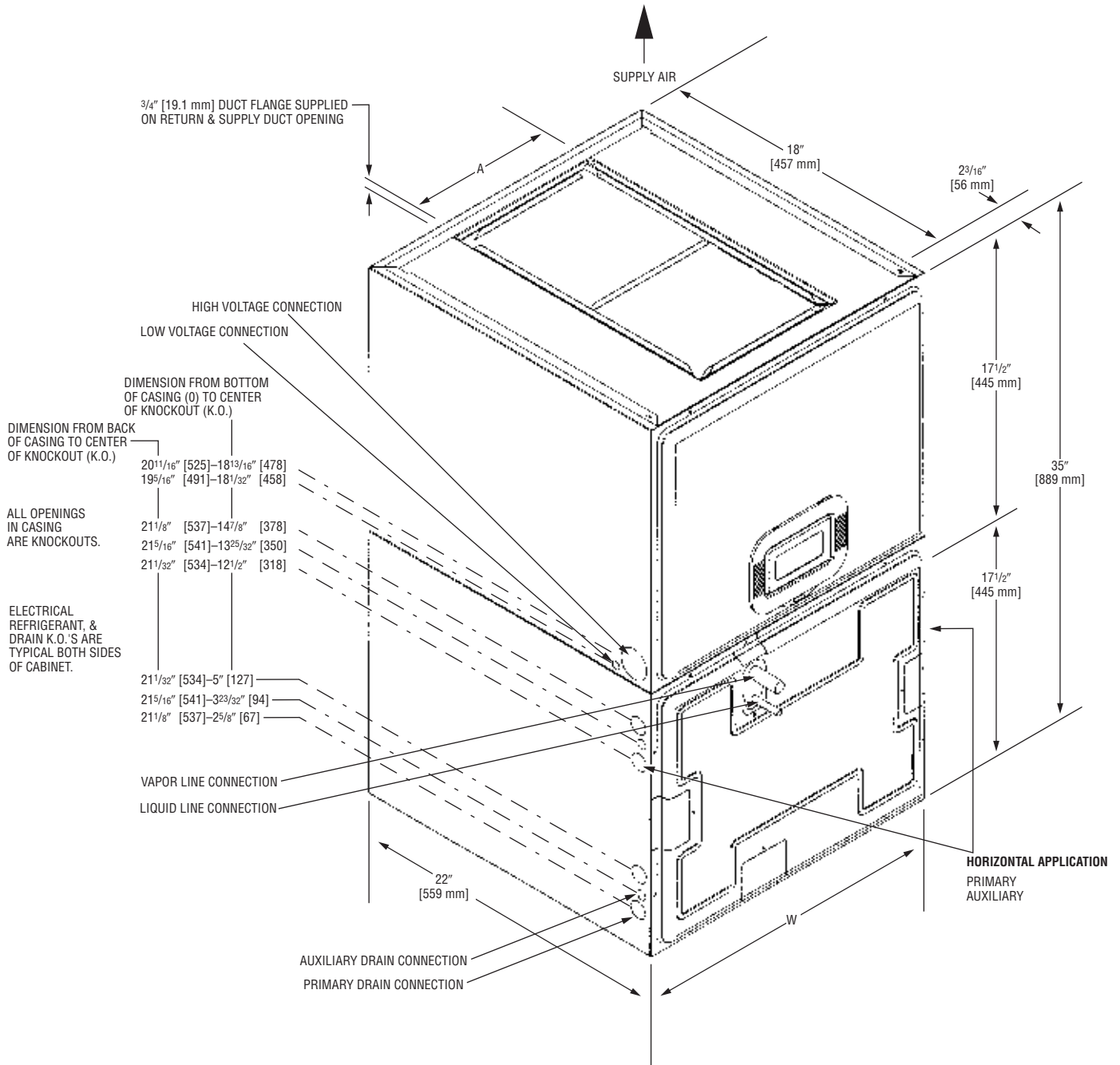
GENERAL TERMS OF LIMITED WARRANTY

WeatherKing will furnish a replacement for any part of this product which fails in normal use and service within the applicable periods stated, in accordance with the terms of the limited warranty.

MultiFlex Coil leaks caused by
 factory defects.....Five (5) Years
 Any Other PartFive (5) Years

For Complete Details of the Limited Warranty, Including Applicable Terms and Conditions, See Your Local Installer or visit www.weatherking.com.

Unit Dimensions



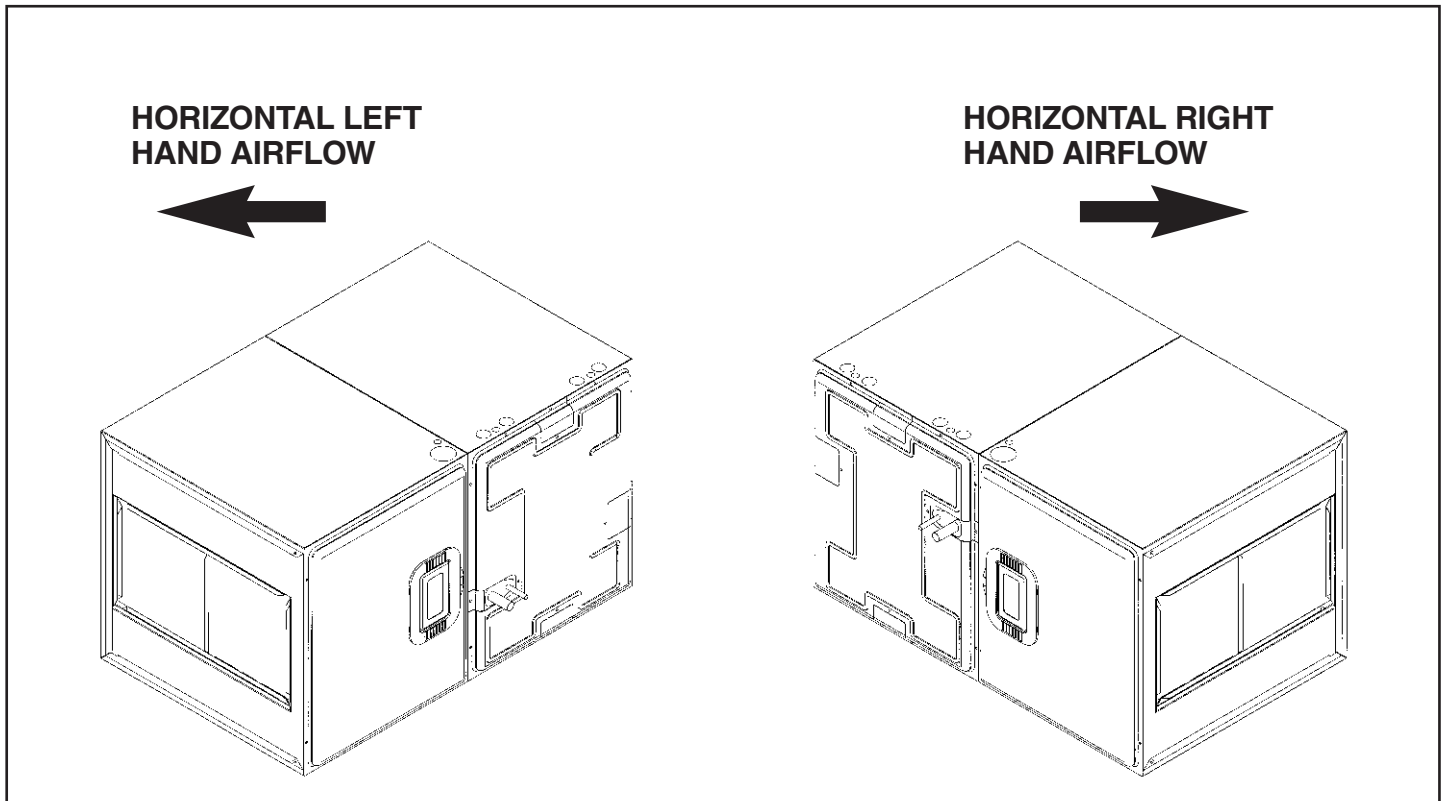
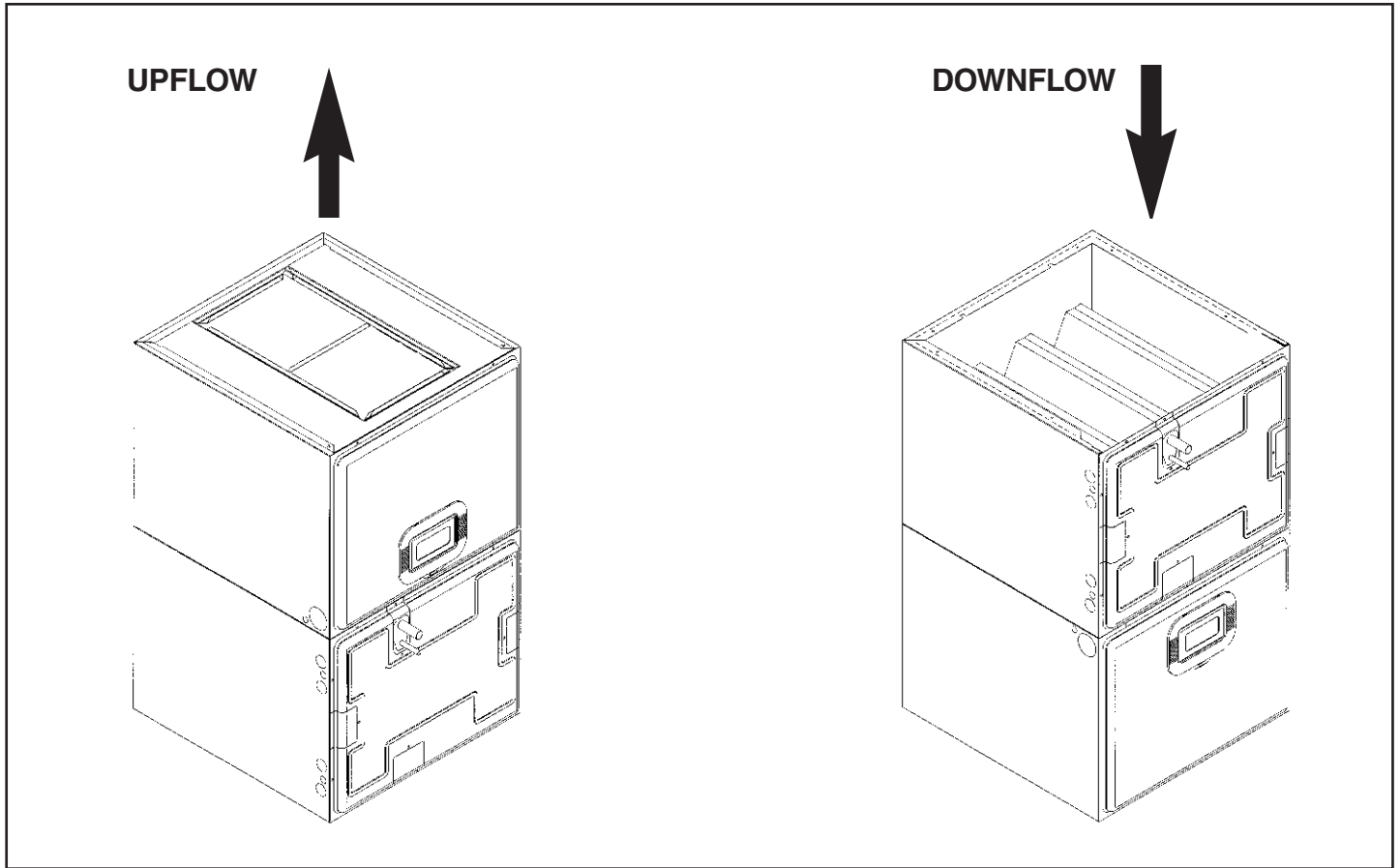
Unit Dimensions & Weights

Model Number 14AH	Unit Width "W" In. [mm]	Supply Duct "A" In. [mm]	Air Flow CFM (Nom.) [L/s]		Unit Weight/Shipping Weight (Lbs.) [kg]*			Max. Heater Elements	
			Lo	Hi	Unit With Coil (Max. kW)	Unit Without Coil	Unit Without Coil Casing	No.	kW
14	14 [356]	6 ³ / ₃₂ [155]	600 [283]	800 [378]	81/88 [37/40]	66/73 [30/33]	49/54 [22/24]	3	11
17	17 ¹ / ₂ [445]	7 ⁹ / ₁₆ [192]	1000 [472]	1200 [566]	92/99 [42/45]	72/79 [33/36]	53/59 [24/27]	4	14
21	21 [533]	9 ⁷ / ₁₆ [240]	1400 [661]	1600 [755]	109/117 [49/53]	83/91 [38/41]	63/69 [29/31]	5	18
24	24 ¹ / ₂ [622]	11 ³ / ₄ [298]	—	2000 [944]	125/134 [57/61]	93/102 [42/46]	71/78 [32/35]	6	21

NOTE: Subtract 1.5 lbs. [.68 kg] for each heater element less than maximum.

[] Designates Metric Conversions

Airflow Directions



NOTE: Coil and blower section are always in a draw through configuration.

Airflow Performance

Airflow performance data is based on cooling performance with wet coil and filter in place. Select performance table for appropriate unit size, voltage and number of electric heaters to be used. Make sure external static applied to unit allows operation within the minimum and maximum limits shown in table below for both cooling and electric heat operation. For optimum blower performance, operate the unit in the .2 [5 mm] to .5 inches [13 mm] W.C. external static range. Units with coils should be applied with a minimum of .1 inch [3 mm] W.C.

external static range. Units without coils should be applied with a minimum of .2 inches [5 mm] W.C. external static pressure. In general, the indoor motor speed tap should be as shown in table for the appropriate cooling capacity shown; however, at extremes of external static, voltage and number of heaters the higher or lower speed tap may be necessary or more desirable. Always check to make sure proper motor speed tap is connected as units are shipped from the factory connected for high speed operation.

Airflow Operating Limits

Model Cabinet Size	14		17		21		24
Cooling BTUH x 1,000	18	24	30	36	42	48	60
Cooling Tons Nominal	1.5	2	2.5	3	3.5	4	5
Heat Pump or Air Conditioning Maximum Heat/Cool CFM [L/s] (37.5 CFM [18 L/s]/1,000 BTUH) (450 CFM [212 L/s]/Ton Nominal)	675 [319]	900 [425]	1125 [531]	1350 [637]	1575 [743]	1800 [850]	2250 [1062]
Heat Pump or Air Conditioning Nominal Heat/Cool CFM [L/s] (33.3 CFM [16 L/s]/1,000 BTUH) (400 CFM [189 L/s]/Ton Nominal)	600 [283]	800 [378]	1000 [472]	1200 [566]	1400 [661]	1600 [755]	2000 [944]
Heat Pump or Air Conditioning Minimum Heat/Cool CFM [L/s] (30.0 CFM [14 L/s]/1,255 BTUH) (360 CFM [170 L/s]/Ton Nominal)	540 [255]	720 [340]	900 [425]	1080 [510]	1260 [595]	1440 [680]	1800 [850]
Blower Motor Speed	Low	High	Low	High	Low	High	High
Maximum kW Electric Heating & Minimum Electric Heat CFM [L/s]	15 560 [264]	15 560 [264]	20 900 [425]	20 900 [425]	25 1220 [576]	25 1220 [576]	30 1460 [689]
Maximum Electric Heat Rise °F [°C]	85 [29]	85 [29]	70 [21]	70 [21]	65 [18]	65 [18]	65 [18]

Airflow Performance Data

Model Cabinet Size	Electric Heaters	Blower Motor		CFM [L/s] (Watts)/External Static Pressure—Inches W.C. [kPa]								
		Speed	Volts*	.00	.10 [.02]	.20 [.05]	.30 [.07]	.40 [.10]	.50 [.12]	.60 [.15]	.70 [.17]	.80 [.20]
14	None	Low	230	633 [299] ▲ (214)	641 [303] (215)	658 [311] (214)	674 [318] (209)	680 [321] (202)	667 [315] (193)	627 [296] ▲ (180)	551 [260] ▲ (164)	—
	3 (Max.)	Low	230	633 [299] ▲ (220)	640 [302] (219)	661 [312] (215)	679 [320] (208)	679 [320] (198)	644 [304] (184)	560 [264] ▲ (166)	410 [193] ▲ (144)	—
	None	Low	208	539 [254] ▲ (179)	534 [252] (178)	541 [255] (177)	553 [261] (175)	563 [266] (171)	561 [265] (165)	541 [255] ▲ (155)	494 [233] ▲ (140)	—
	3 (Max.)	Low	208	535 [252] ▲ (180)	535 [252] (180)	549 [259] (178)	564 [266] (175)	569 [269] (170)	554 [261] (161)	505 [238] ▲ (147)	—	—
	None	High	230	966 [456] ▲ (294)	966 [456] (290)	950 [448] (281)	920 [434] (269)	874 [412] (254)	813 [384] (238)	737 [348] ▲ (222)	645 [304] ▲ (208)	—
	3 (Max.)	High	230	967 [456] ▲ (292)	954 [450] (287)	931 [439] (277)	894 [422] (263)	837 [395] (246)	758 [358] (228)	650 [307] ▲ (209)	510 [241] ▲ (192)	—
	None	High	208	779 [368] ▲ (260)	804 [379] (258)	818 [386] (251)	818 [386] (241)	801 [378] (228)	764 [361] (213)	703 [332] ▲ (198)	616 [291] ▲ (183)	—
	3 (Max.)	High	208	781 [369] ▲ (260)	802 [379] (255)	813 [384] (246)	807 [381] (234)	776 [366] (219)	714 [337] (202)	612 [289] ▲ (183)	464 [219] ▲ (163)	—

*For 115 and 460 volt units use 230 volt data shown above.

▲ **WARNING: Observe airflow operating limits if operating in area of airflow table shown in bold.**

[] Designates Metric Conversions

Airflow Performance Data, continued

Model Cabinet Size	Electric Heaters	Blower Motor		CFM [L/s] (Watts)/External Static Pressure—Inches W.C. [kPa]								
		Speed	Volts*	.00	.10 [.02]	.20 [.05]	.30 [.07]	.40 [.10]	.50 [.12]	.60 [.15]	.70 [.17]	.80 [.20]
17	None	Low	230	1042 [492] ▲ (353)	1072 [506] (325)	1097 [518] (312)	1109 [523] (319)	1103 [521] (312)	1071 [505] (314)	1005 [474] ▲ (310)	899 [424] ▲ (294)	745 [352] (261)
	4 (Max.)	Low	230	1041 [491] ▲ (338)	1076 [508] (333)	1096 [517] (324)	1096 [517] (311)	1070 [505] (295)	1012 [478] (275)	918 [433] ▲ (252)	780 [368] ▲ (226)	—
	None	Low	208	872 [412] ▲ (276)	885 [418] (276)	912 [430] (274)	939 [443] (270)	956 [451] (263)	949 [448] (251)	906 [428] ▲ (235)	815 [385] ▲ (213)	663 [313] (185)
	4 (Max.)	Low	208	877 [414] ▲ (277)	890 [420] (276)	915 [432] (272)	937 [442] (265)	942 [445] (255)	918 [433] (241)	849 [401] ▲ (222)	723 [341] ▲ (198)	—
	None	High	230	1428 [674] ▲ (436)	1408 [665] (418)	1377 [650] (399)	1333 [629] (380)	1273 [601] (360)	1202 [567] (341)	1096 [517] ▲ (316)	973 [459] ▲ (293)	824 [389] (267)
	4 (Max.)	High	230	1414 [667] ▲ (428)	1382 [652] (409)	1339 [632] (389)	1281 [605] (368)	1207 [570] (346)	1113 [525] (323)	998 [471] ▲ (300)	858 [405] ▲ (274)	—
	None	High	208	1188 [561] ▲ (382)	1215 [573] (372)	1226 [579] (359)	1218 [575] (343)	1188 [561] (325)	1131 [534] (304)	1045 [493] ▲ (282)	928 [438] ▲ (258)	774 [365] (233)
	4 (Max.)	High	208	1194 [564] ▲ (377)	1214 [573] (366)	1214 [573] (352)	1193 [563] (334)	1145 [540] (313)	1067 [504] (290)	957 [452] ▲ (266)	810 [382] ▲ (240)	—
21	None	Low	230	1525 [720] ▲ (535)	1550 [732] (521)	1562 [737] (504)	1559 [736] (484)	1536 [725] (461)	1487 [702] (434)	1409 [665] ▲ (404)	1296 [612] ▲ (369)	1144 [540] (331)
	5 (Max.)	Low	230	1531 [723] ▲ (523)	1542 [728] (508)	1544 [729] (489)	1528 [721] (467)	1485 [701] (440)	1409 [665] (409)	1289 [608] ▲ (373)	1119 [528] ▲ (333)	890 [420] (287)
	None	Low	208	1255 [592] ▲ (443)	1284 [606] (440)	1316 [621] (433)	1340 [632] (421)	1350 [637] (405)	1335 [630] (385)	1287 [607] ▲ (359)	1197 [565] ▲ (329)	1057 [499] (294)
	5 (Max.)	Low	208	1252 [591] ▲ (442)	1280 [604] (437)	1309 [618] (427)	1327 [626] (412)	1323 [624] (392)	1286 [607] (367)	1204 [568] ▲ (336)	1065 [503] ▲ (300)	—
	None	High	230	1878 [886] ▲ (628)	1845 [871] (598)	1807 [853] (571)	1758 [830] (545)	1696 [800] (519)	1615 [762] (492)	1512 [714] ▲ (462)	1383 [653] ▲ (429)	1223 [577] (390)
	5 (Max.)	High	230	1838 [867] ▲ (603)	1797 [848] (576)	1751 [826] (549)	1694 [799] (522)	1618 [764] (493)	1514 [715] (461)	1376 [649] ▲ (427)	1195 [564] ▲ (389)	963 [454] (346)
	None	High	208	1625 [767] ▲ (559)	1635 [772] (541)	1634 [771] (521)	1618 [764] (498)	1583 [747] (474)	1525 [720] (446)	1440 [680] ▲ (415)	1323 [624] ▲ (381)	1171 [553] (343)
	5 (Max.)	High	208	1625 [767] ▲ (553)	1617 [763] (529)	1604 [757] (504)	1575 [743] (477)	1524 [719] (447)	1441 [680] (415)	1318 [622] ▲ (380)	1146 [541] ▲ (341)	917 [433] (299)
24	None	High	230	2210 [1043] ▲ (772)	2223 [1049] (753)	2215 [1045] (730)	2183 [1030] (706)	2124 [1002] (678)	2032 [959] (646)	1907 [900] ▲ (611)	1742 [822] ▲ (571)	1537 [725] (527)
	6 (Max.)	High	230	2206 [1041] ▲ (754)	2189 [1033] (726)	2150 [1015] (698)	2084 [984] (669)	1989 [939] (637)	1860 [878] (602)	1694 [799] ▲ (564)	1487 [702] ▲ (521)	—
	None	High	208	1859 [877] ▲ (641)	1901 [897] (633)	1931 [911] (622)	1944 [917] (608)	1930 [911] (589)	1881 [888] (565)	1791 [845] ▲ (536)	1650 [779] ▲ (501)	1451 [685] (459)
	6 (Max.)	High	208	1866 [881] ▲ (632)	1906 [900] (624)	1921 [907] (610)	1906 [900] (589)	1854 [875] (563)	1761 [831] (532)	1619 [764] ▲ (496)	1424 [672] ▲ (455)	—

*For 115 volt units use 230 volt data shown above.

▲ **WARNING: Observe airflow operating limits if operating in area of airflow table shown in bold.**

[] Designates Metric Conversions

Blower Motor Electrical Data

Model Size/Elec. Designation	Voltage	Phase	Hertz	HP [W]	RPM 60 Hz	Speeds	Circuit Amps.	Minimum Circuit Ampacity	Maximum Circuit Protector
14A	115	1	60	1/8 [93]	825	2	2.8	3.5	15
17A	115	1	60	1/8 [93]	825	2	4.0	5.0	15
21A	115	1	60	1/4 [186]	825	2	5.6	7.0	15
24A	115	1	60	1/3 [249]	825	2	6.8	8.5	15
14J	208/240	1	60	1/8 [93]	825	2	1.4	1.8	15
17J	208/240	1	60	1/8 [93]	825	2	2.0	2.5	15
21J	208/240	1	60	1/4 [186]	825	2	2.8	3.5	15
24J	208/240	1	60	1/3 [249]	825	2	3.4	4.3	15

Electric Heat Electrical Data

Model Elec./kW Designation	Heater kW 208/240 V.	PH/Hz	Heater No./kW	Type Supply Circuit Single Circuit Multiple Circuit	Circuit Amps.	Minimum Circuit Ampacity	Maximum Circuit Protector
J07	5.3/7.0	1/60	2/3.5	Single Circuit	28.7/32.6	35.9/40.8	40/45
J11	7.3/9.8	1/60	3/3.3	Single Circuit	38.6/44.0	48.3/55.0	50/60
J14	10.5/14.0	1/60	4/3.5	Single Circuit	54.0/61.7	67.5/77.2	70/80
				*Multiple Ckt. 1	27.7/32.6	35.9/40.7	40/45
				*Multiple Ckt. 2	25.3/29.2	31.6/36.5	35/40
J18	13.2/17.5	1/60	5/3.5	Single Circuit	66.6/76.3	83.3/95.4	90/100
				*Multiple Ckt. 1	41.3/47.2	51.7/59.0	60/60
				*Multiple Ckt. 2	25.3/29.2	31.6/36.5	35/40
J21	15.8/21.0	1/60	6/3.5	Single Circuit	79.3/90.9	99.1/113.7	100/125
				*Multiple Ckt. 1	41.3/47.2	51.7/59.0	60/60
				*Multiple Ckt. 2	37.9/43.8	47.4/54.7	50/60

- Supply circuit protective devices may be fused or "HACR" type circuit breakers.
- If non-standard fuse size is specified, use next size larger standard fuse size.
- Largest motor load is included in single circuit and circuit 1 multiple circuit.
- * Requires removal of the factory installed jumper bar.

Copper Wire Size—AWG. (3% Voltage Drop)

S U P P L Y	L E N G T H	200 [61]	12	10	8	8	8	6	6	6	4	4	3	3	2	2	1	0	00	
		150 [46]	12	10	10	10	8	8	6	6	6	6	4	4	3	3	2	1	0	00
		100 [30]	14	12	10	10	8	8	8	6	6	6	4	4	3	3	2	1	0	00
		50 [15]	14	12	10	10	8	8	8	6	6	6	4	4	3	3	2	1	0	00
			15	20	25	30	35	40	45	50	60	70	80	90	100	110	125	150	175	
W I R E	F E E T	<p style="text-align: center;">SUPPLY CIRCUIT AMPACITY</p> <p style="text-align: center;">NOTE: Wire based on copper conductors 75°C minimum rating. For more than 3 conductors in a raceway or cable, see N.E.C. for derating the ampacity of each conductor.</p>																		

[] Designates Metric Conversions

Combustible Floor Base for Downflow Installations

Model Cabinet Size	Combustible Floor Base Model Number	Opening Front of Unit "W" Width-Inches [mm]	Opening Side of Unit "D" Depth-Inches [mm]
14 17 21 24	RXBB-AA	14 ³ / ₈ [365]	20 ⁵ / ₈ [524]

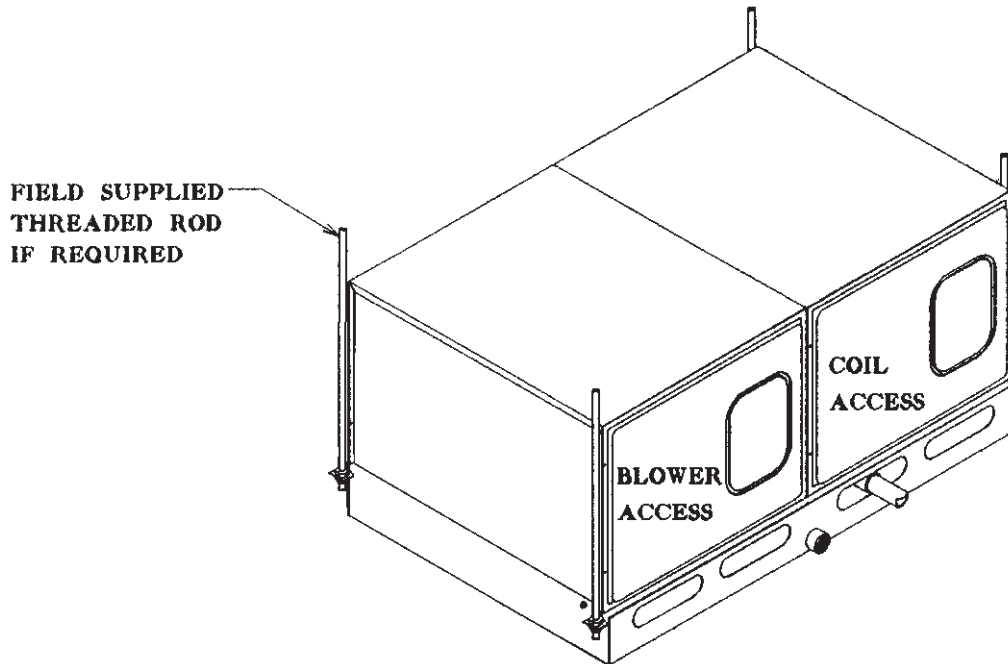
ACCESSORIES—KITS—PARTS

- **Combustible Floor Base RXBB-AA** for downflow applications.
- **Horizontal Drain Pan Accessories**
RXBD-DA
x50 = Bulk Pack.
- **RXBM-AA06**—Horizontal drain pan. (One size fits all models).

• Replacement Filters

Model Cabinet Size	Filter Size In. [mm]	Part Number
14	12.75 x 21 [324 x 533]	54-23217-01
17	16.25 x 21 [413 x 533]	54-23217-02
21	19.75 x 21 [502 x 533]	54-23217-03
24	23.25 x 21 [591 x 533]	54-23217-04

[] Designates Metric Conversions



Before proceeding with installation, refer to installation instructions packaged with each model, as well as complying with all Federal, State, Provincial, and Local codes, regulations, and practices.

WEATHERKING L.L.C.

5600 Old Greenwood Road, Fort Smith, Arkansas 72908



"In keeping with its policy of continuous progress and product improvement, WeatherKing reserves the right to make changes without notice."