

Application Guide



instinct

SOLO 110-155-199 & COMBI 155-199

WARNING

This document is intended to be used by a factory trained and qualified heating contractor or service technician only. Read all Instructions within this document and within the relevant Boiler Installation and Maintenance Manual before proceeding. It is recommended to follow

the procedures in the steps given. Skipping or missing procedural steps could result in substantial property damage, serious injury, or death.

NOTICE

- When receiving the Instinct unit, any claims for damage or shortage in shipment must be filed immediately against the transportation company by the consignee.
- Customer must register unit within sixty (60) days of installation in order to gain warranty coverage. See Warranty Card for details.
- Leave all documentation received with appliance with the owner for future reference.
- Installation and service should only be performed by a qualified installer or service technician.
- Installations and service should be performed by a licensed plumber or gas fitter in the Commonwealth of Massachusetts.

Sections

1.Flexible Pump Configuration.....	3
2.Pump Selection	5
3.Instinct Solo Piping Diagrams	6
4.Instinct Combi Piping Diagrams.....	13

Figures

Fig. 1: Installer Button	3
Fig. 2: Installer Access Code.....	3
Fig. 3: CH & DHW Settings	3
Fig. 4: Boiler Settings.....	3
Fig. 5: Pump Settings.....	3
Fig. 6: Flexible Pump Config	3
Fig. 7: Flex. Relays	4
Fig. 8: Flex. Relay 1 Settings	4
Fig. 9: Flex. Relay 1 Save Option	4
Fig. 10: Instinct Solo Near Boiler Piping with Closely Spaced Tees.....	6
Fig. 11: Instinct Solo Near Boiler Piping with Hydraulic Separator.....	6
Fig. 12: Instinct Solo - Multiple Zones with Circulators.....	7
Fig. 13: Instinct Solo - Multiple Zones with Circulators - Domestic Piping Alternate	8
Fig. 14: Instinct Solo - Piping with Zone Valves	9
Fig. 15: Instinct Solo - Piping with Zone Valves - Domestic Piping Alternate	10
Fig. 16: Instinct Solo - Piping with Zone Valves and Zone Valve Control Panel.....	11
Fig. 17: Instinct Solo - Piping with Zone Valves and Zone Valve Control Panel - Domestic Piping Alternate	12
Fig. 18: Instinct Solo - Single Zone with Circulator.....	13
Fig. 19: Instinct Solo - Single Zone with Circulator - Domestic Piping Alternate	14
Fig. 20: Instinct Solo - Multiple Temperature Zones with Circulators	15
Fig. 21: Instinct Solo - Multiple Temperature Zones with Circulators - Domestic Piping Alternate.....	16
Fig. 22: Instinct Solo - Cascade Layout.....	17
Fig. 23: Instinct Combi Near Boiler Piping with Timesaver Manifold	18
Fig. 24: Instinct Combi Near Boiler Piping with Hydraulic Separator	18
Fig. 25: Instinct Combi - Multiple Zones with Circulators	19
Fig. 26: Instinct Combi - Single Zones with Circulator	20
Fig. 27: Instinct Combi - Multiple Temperature Zones with Circulators.....	21
Fig. 28: Instinct Combi - Multiple Zones with Zone Valves.....	22
Fig. 29: Instinct Combi - Multiple Zones with Zone Valves and Zone Valve Control Panel.....	22

Tables

Table 1: Instinct Solo Pump Requirements	5
Table 2: Instinct Preset Pump Configurations	5

Instinct Application Guide



1. Flexible Pump Configuration

This allows the installer to customize the flexible Pump Output (relays) to a specific installation arrangement that is not addressed in the Preset Pump Configuration options. There is a total of six Pump Output(relays) that must be set.

1. To access the Installer screen, touching simultaneously the up and down soft keys for 3 seconds as shown in Fig. 1.

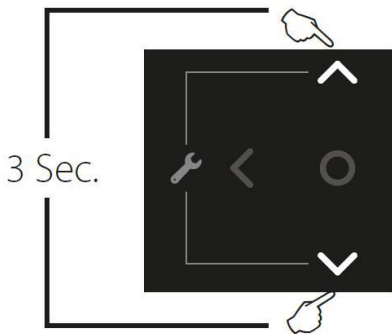


Fig. 1: Installer Button

2. Enter the installer access code "054" by using the **LEFT** and **RIGHT** buttons to select a digit and the **UP** and **DOWN** buttons to change the digit. Press the OK button to enter the access code.



Fig. 2: Installer Access Code

3. Press the OK button while the **CH & DHW Settings** icon is highlighted.

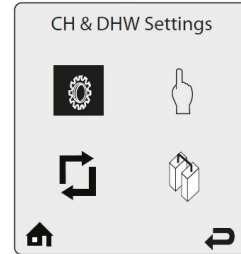


Fig. 3: CH & DHW Settings

4. Press the OK button while the **Boiler Settings** icon is highlighted.

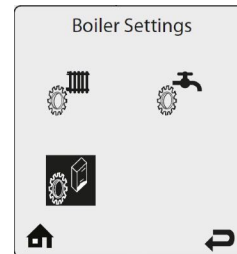


Fig. 4: Boiler Settings

5. Press the OK button while the **Pump Settings** option is highlighted.

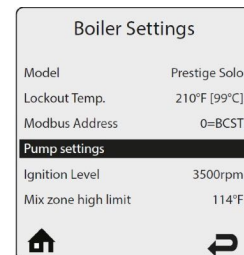


Fig. 5: Pump Settings

6. Press the OK button while **Flexible Pump Config** option is highlighted.

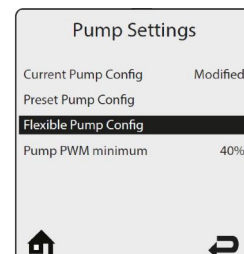


Fig. 6: Flexible Pump Config

- A list of 6 Flex Relays are clickable. These are the Boiler actions to be edited.



Fig. 7: Flex. Relays

NOTICE

Flex. Relay 3 (P3), Flex. Relay 4 (ERR), Flex. Relay 6 (P4) are not functional in the Instinct Boilers.

- Select the relay to be changed. Choose whether the relay will be on or off for any of the following calls: *CH1*, *CH2*, *DHW*, *MIX OPEN*, *MIX CLOSE*, *ERROR*, *FLAME*.
 - When selecting CH1, the relay is activated at CH1 demand.
 - When selecting CH2, the relay is activated at CH2 demand.
 - When selecting DHW, the relay is activated at DHW demand.
 - Mix Open is not functional in the Instinct Boilers.
 - Mix Close is not functional in the Instinct Boilers.
 - When selecting ERROR, the relay is activated on error.
 - When selecting FLAME, the relay is activated when appliance is running and a flame signal has been detected.

- Once the Relay's actions have been selected, scroll down and hit enter on the **Save and Exit** option at the bottom. This relay shown in Fig. 8 is set to turn on the pump wired to the CH1 terminal only for CH1 calls.



Fig. 8: Flex. Relay 1 Settings

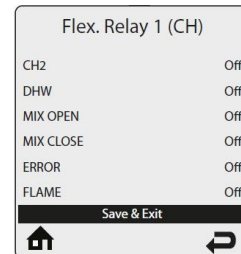


Fig. 9: Flex. Relay 1 Save Option

NOTICE

The options will not be saved when quick exiting (hitting the house or back arrow at the bottom of the menu).

Instinct Application Guide



2. Pump Selection

Refer to Table 1 for the Boiler pump recommendations when using primary secondary piping.

Table 1: Instinct Solo Pump Requirements

Model	Heating Capacity	Temperature Rise	Required Boiler Flow	Minimum Boiler Pipe Size	Minimum Boiler Pump Size		
					Grundfos	Taco	Wilco
Instinct Solo 110	102 MBH	20°F	10.2 GPM	1"	UPS 15-58FC	0015-MSF3	Star S 21 F
		25°F	8.2 GPM	1"	UPS 15-58FC	007-F5	Star S 21 F
		30°F	6.8 GPM	1"	UPS 15-58FC	007-F5	Star S 21 F
		35°F	5.8 GPM	1"	UPS 15-58FC	007-F5	Star S 21 F
Instinct Solo 155	143 MBH	20°F	14.3 GPM	1.25"	UPS 26-99FC	0013-MSF1	Star S 33 FC
		25°F	11.4 GPM	1.25"	UPS 26-99FC	0013-MSF1	Star S 33 FC
		30°F	9.5 GPM	1"	UPS 15-58FC	0015-MSF3	Star S 21 F
		35°F	8.2 GPM	1"	UPS 15-58FC	007-F5	Star S 21 F
Instinct Solo 199	185 MBH	20°F	18.5 GPM	1.5"	UPS 43-100 F	2400-30-3P	Top S 1.25 x 35
		25°F	14.8 GPM	1.25"	UPS 26-99FC	0013-MSF1	Star S 33 FC
		30°F	12.3 GPM	1.25"	UPS 26-99FC	0013-MSF1	Star S 33 FC
		35°F	10.6 GPM	1"	UPS 15-58FC	0015-MSF3	Star S 21 F

Table 2: Instinct Preset Pump Configurations

Instinct Solo Preset Pump Configuration

Heat Call	Flame	CH Pump	DHW Pump
CH1	ON	ON	OFF
CH2	ON	ON	OFF
DHW	OFF	OFF	ON

Instinct Combi Preset Pump Configuration

Heat Call	Flame	CH Pump	DHW Pump
CH1	ON	ON	OFF
CH2	ON	ON	OFF
DHW	OFF	ON	ON

Instinct Solo Pump Configuration

Heat Call	Flame	CH Pump	DHW Pump
CH1	ON	ON	OFF
CH2	ON	ON	OFF
DHW	OFF	OFF → ON*	ON

* A custom pump setting is required via flexible pump configuration

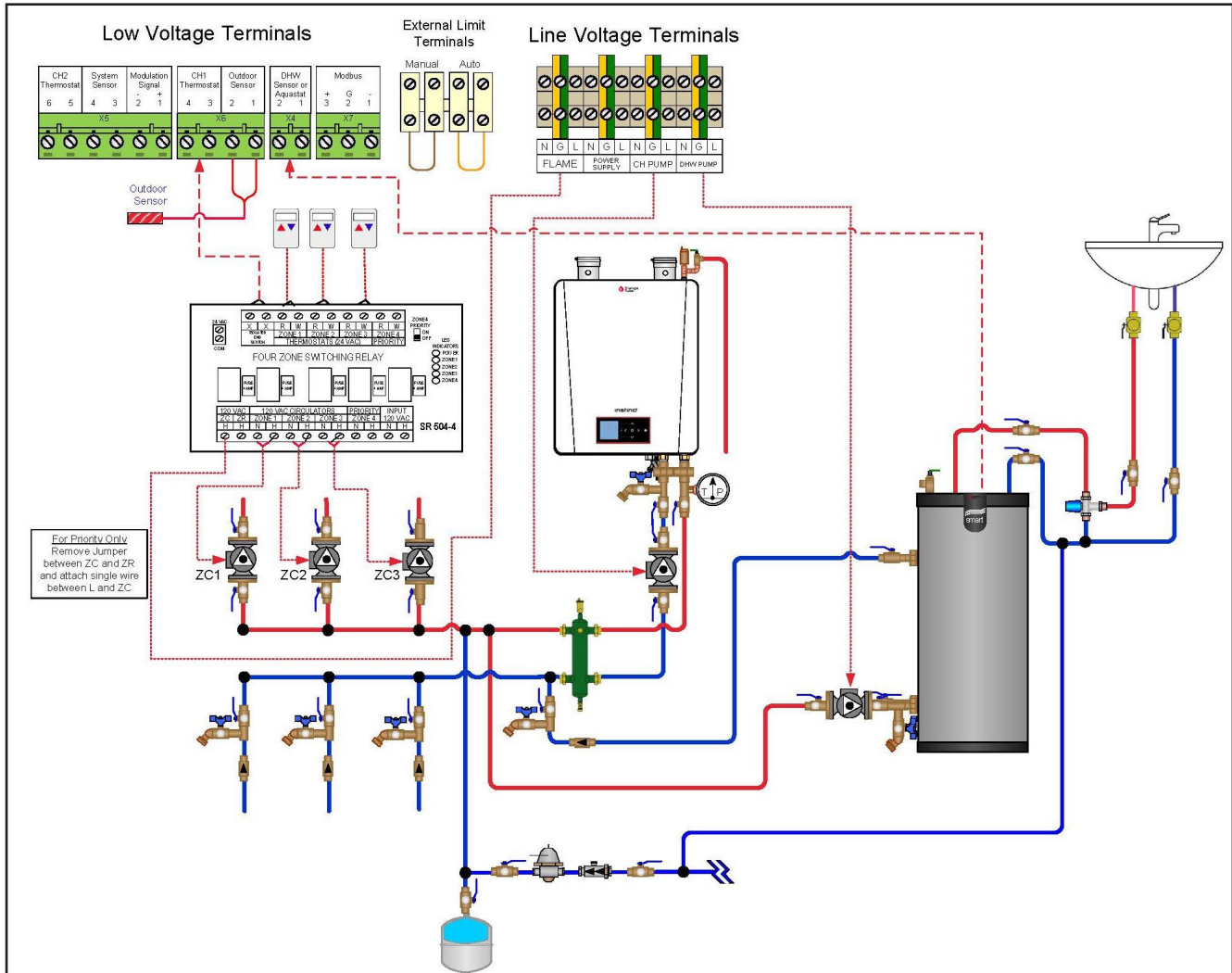


Fig. 12: Instinct Solo - Multiple Zones with Circulators

NOTICE

Piping layout is shown with a Hydraulic Separator. Closely spaced tees and an air separator can be used as shown in Fig. 10 on page 6.

Layout is shown with separate Circulator and check valve. If using a circulator with internal check valve, the corresponding check valve is unnecessary.

Instinct Solo Pump Configuration

Heat Call	Flame	CH Pump	DHW Pump
CH1	ON	ON	OFF
CH2	ON	ON	OFF
DHW	OFF	OFF	ON

Note. Instinct Solo is pre-configured for this installation

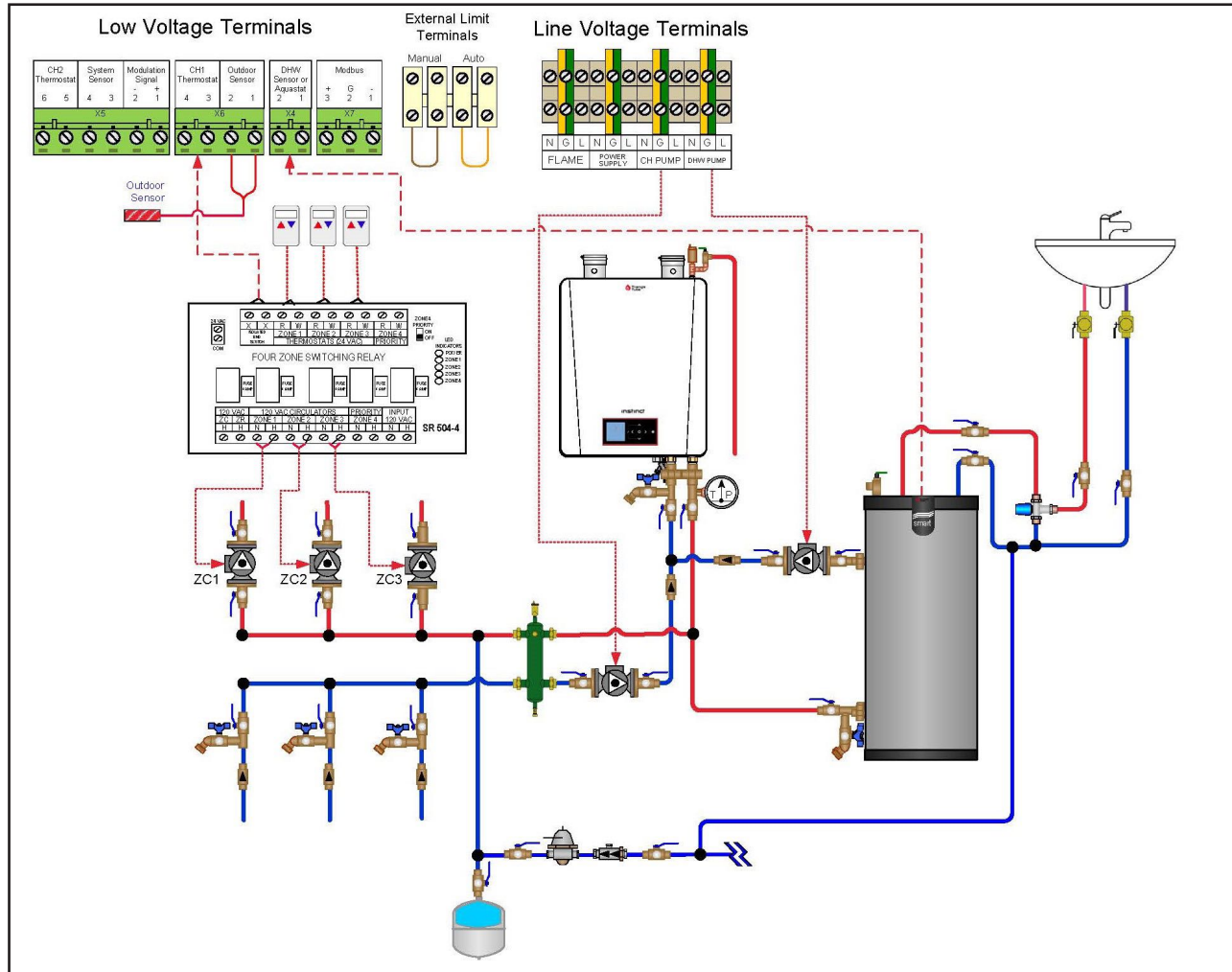


Fig. 13: Instinct Solo - Multiple Zones with Circulators - Domestic Piping Alternate

NOTICE

Piping layout is shown with a Hydraulic Separator. Closely spaced tees and an air separator can be used as shown in Fig. 10 on page 6.

Layout is shown with separate Circulator and check valve. If using a circulator with internal check valve, the corresponding check valve is unnecessary.

Instinct Solo Pump Configuration

Heat Call	Flame	CH Pump	DHW Pump
CH1	ON	ON	OFF
CH2	ON	ON	OFF
DHW	OFF	OFF → ON*	ON

* A custom pump setting is required via flexible pump configuration

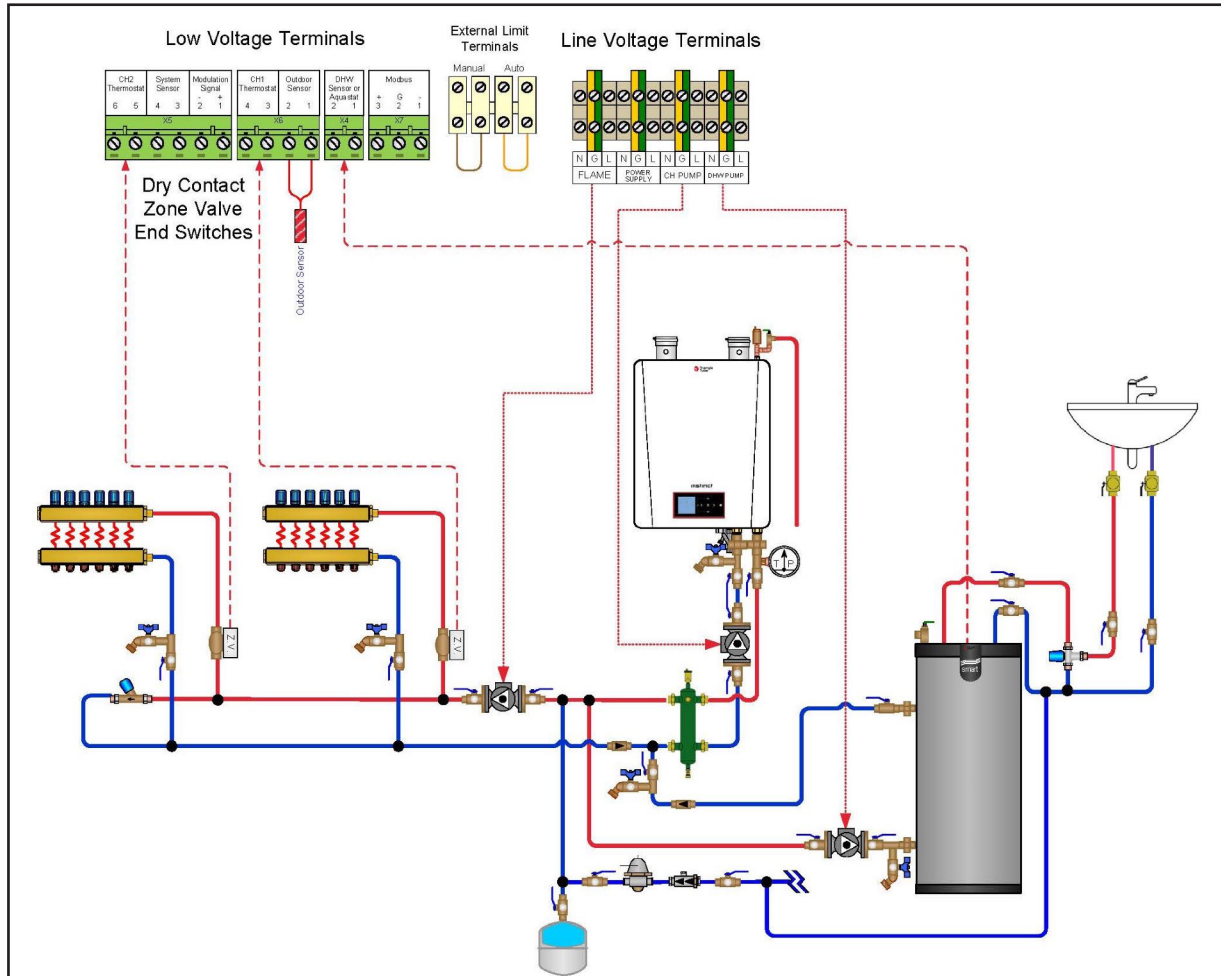


Fig. 14: Instinct Solo - Piping with Zone Valves

NOTICE

Piping layout is shown with a Hydraulic Separator. Closely spaced tees and an air separator can be used as shown in Fig. 10 on page 6.

Instinct Solo Pump Configuration

Heat Call	Flame	CH Pump	DHW Pump
CH1	ON	ON	OFF
CH2	ON	ON	OFF
DHW	OFF	OFF	ON

Note. Instinct Solo is pre-configured for this installation

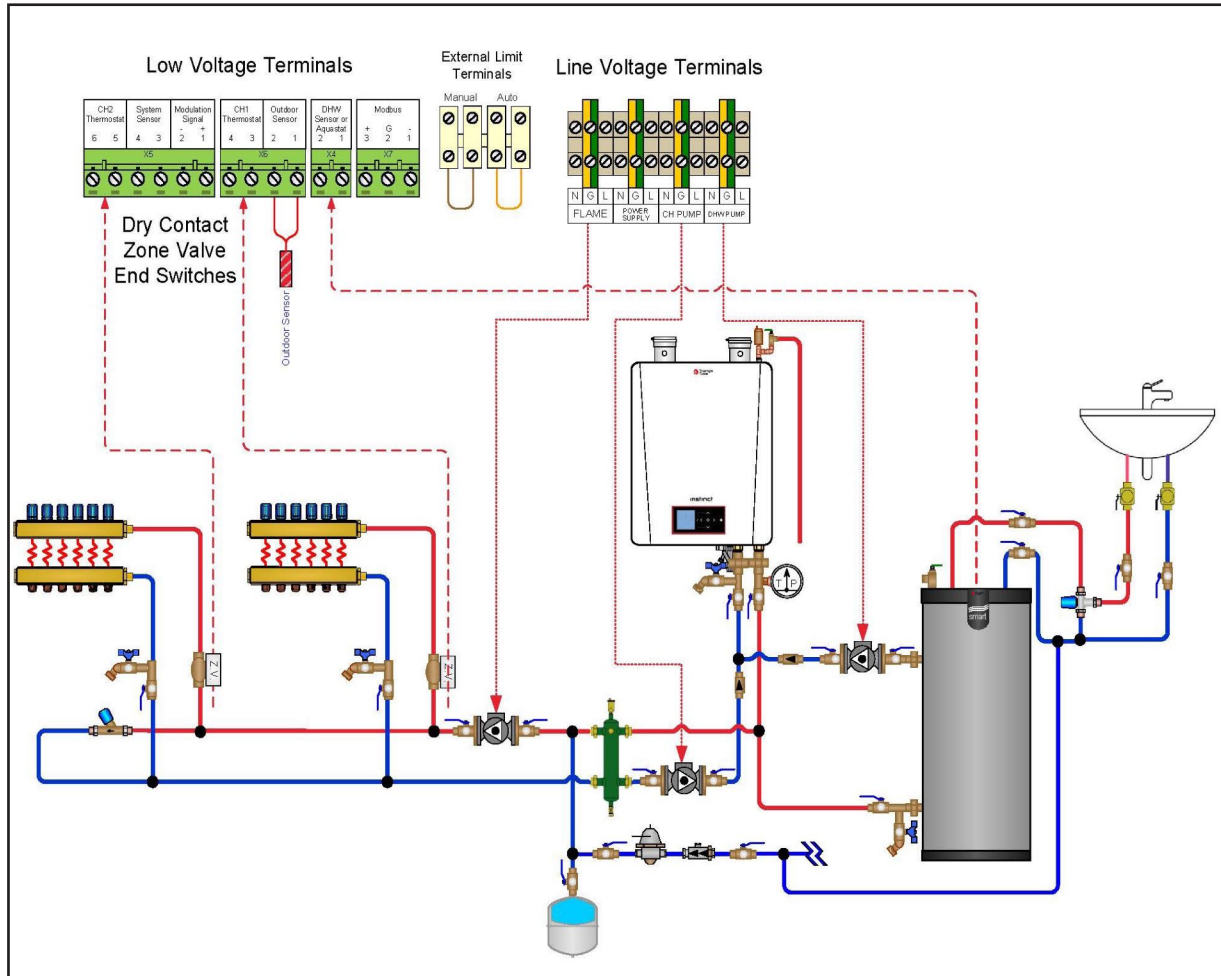


Fig. 15: Instinct Solo - Piping with Zone Valves - Domestic Piping Alternate

NOTICE

Piping layout is shown with a Hydraulic Separator. Closely spaced tees and an air separator can be used as shown in Fig. 10 on page 6.

Instinct Solo Pump Configuration

Heat Call	Flame	CH Pump	DHW Pump
CH1	ON	ON	OFF
CH2	ON	ON	OFF
DHW	OFF	OFF → ON*	ON

* A custom pump setting is required via flexible pump configuration

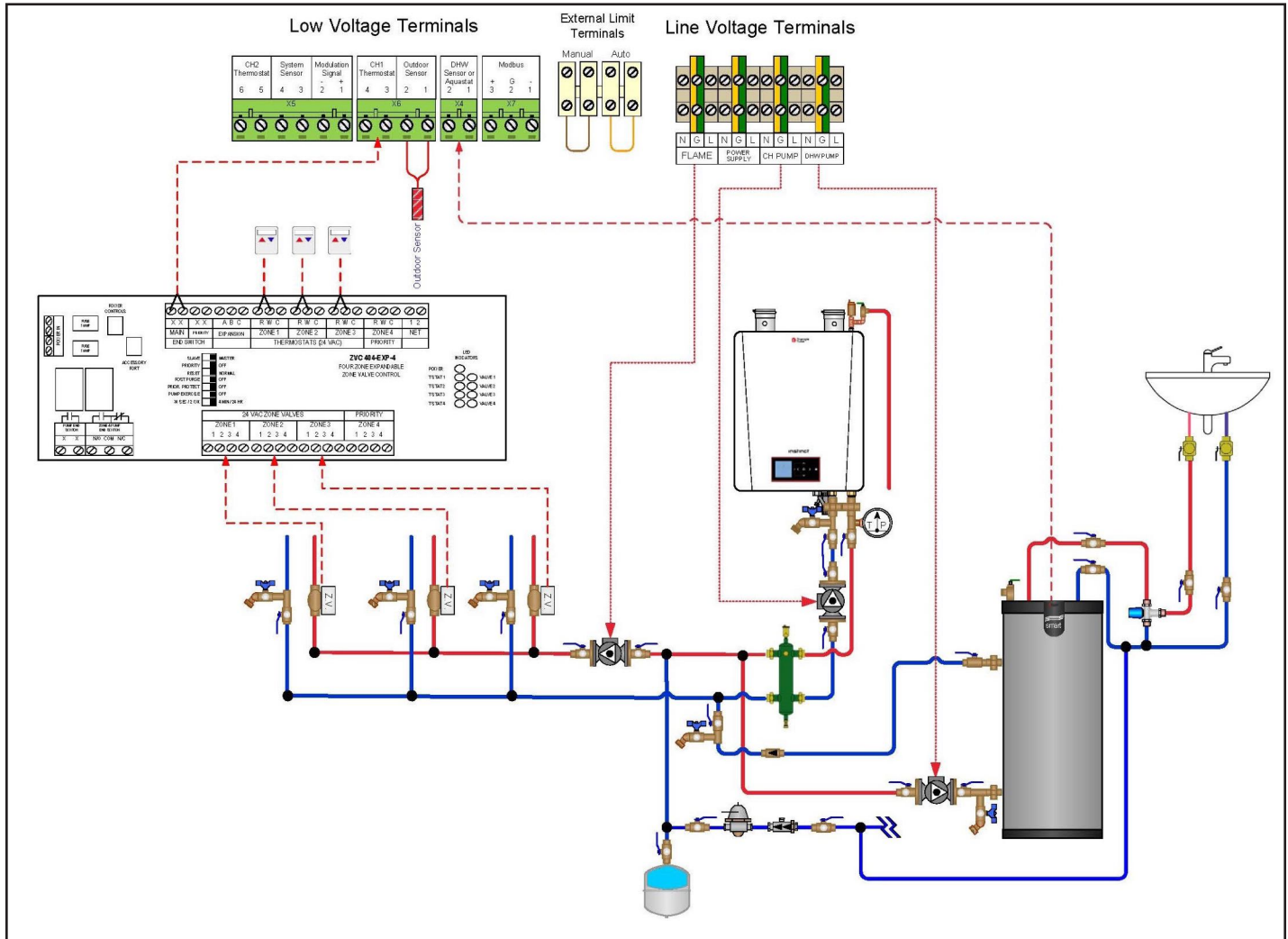


Fig. 16: Instinct Solo - Piping with Zone Valves and Zone Valve Control Panel

NOTICE

Piping layout is shown with a Hydraulic Separator. Closely spaced tees and an air separator can be used as shown in Fig. 10 on page 6.

Instinct Solo Pump Configuration

Heat Call	Flame	CH Pump	DHW Pump
CH1	ON	ON	OFF
CH2	ON	ON	OFF
DHW	OFF	OFF	ON

Note. Instinct Solo is pre-configured for this installation

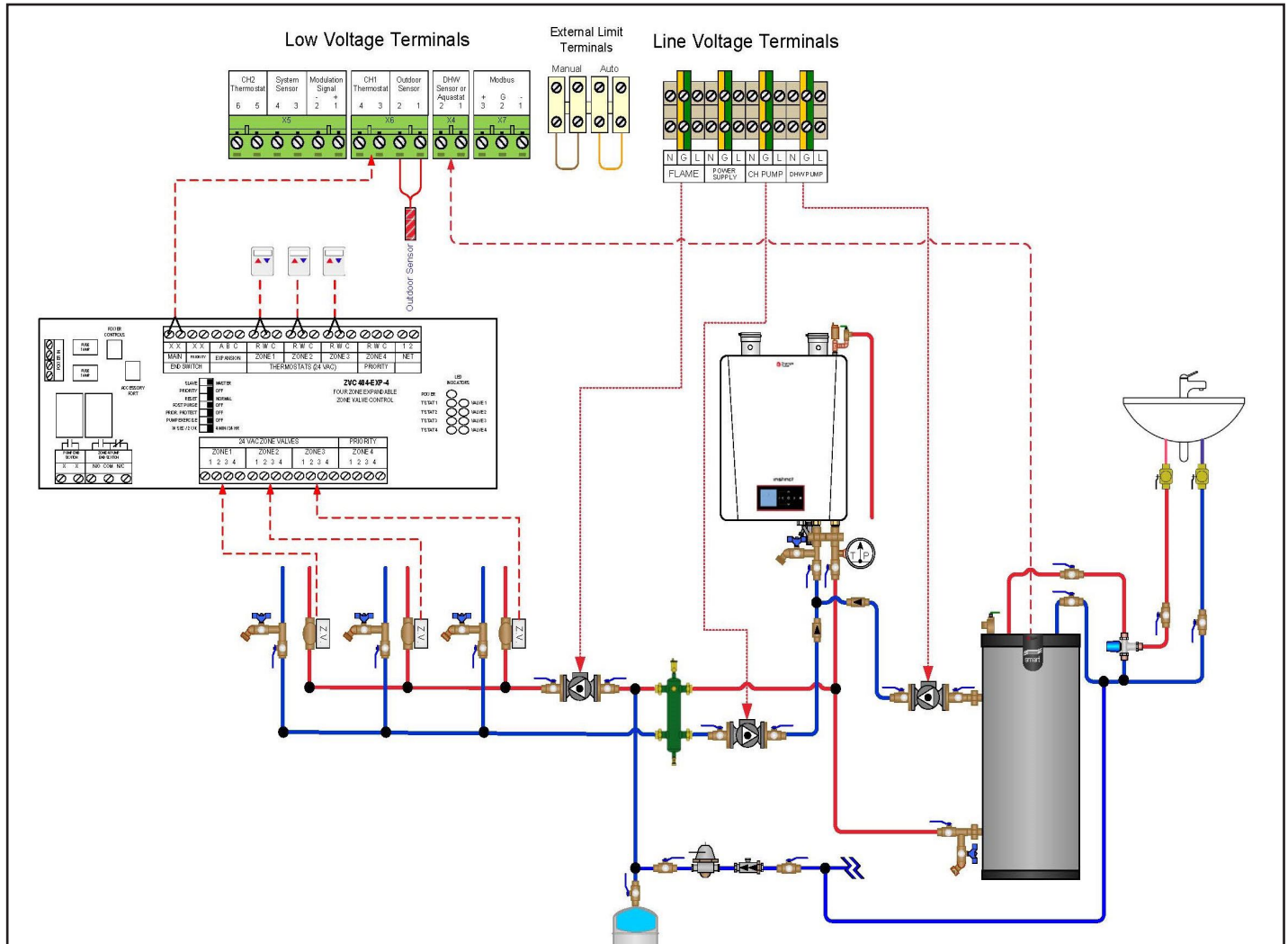


Fig. 17: Instinct Solo - Piping with Zone Valves and Zone Valve Control Panel - Domestic Piping Alternate

NOTICE

Piping layout is shown with a Hydraulic Separator. Closely spaced tees and an air separator can be used as shown in Fig. 10 on page 6.

Instinct Solo Pump Configuration

Heat Call	Flame	CH Pump	DHW Pump
CH1	ON	ON	OFF
CH2	ON	ON	OFF
DHW	OFF	OFF → ON*	ON

* A custom pump setting is required via flexible pump configuration

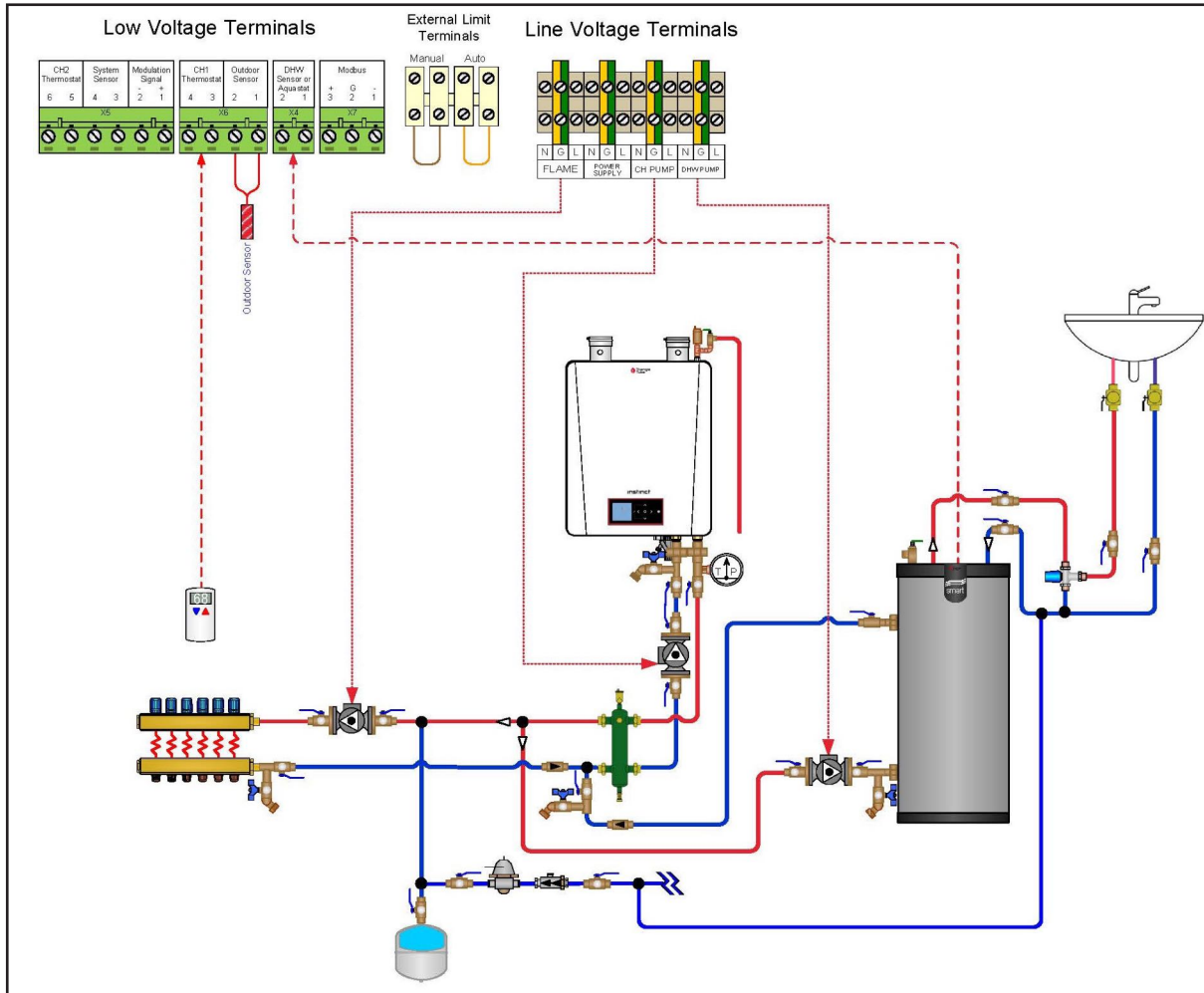


Fig. 18: Instinct Solo - Single Zone with Circulator

NOTICE

Piping layout is shown with a Hydraulic Separator. Closely spaced tees and an air separator can be used as shown in Fig. 10 on page 6.

Layout is shown with separate Circulator and check valve. If using a circulator with internal check valve, the corresponding check valve is unnecessary.

Instinct Solo Pump Configuration

Heat Call	Flame	CH Pump	DHW Pump
CH1	ON	ON	OFF
CH2	ON	ON	OFF
DHW	OFF	OFF	ON

Note. Instinct Solo is pre-configured for this installation

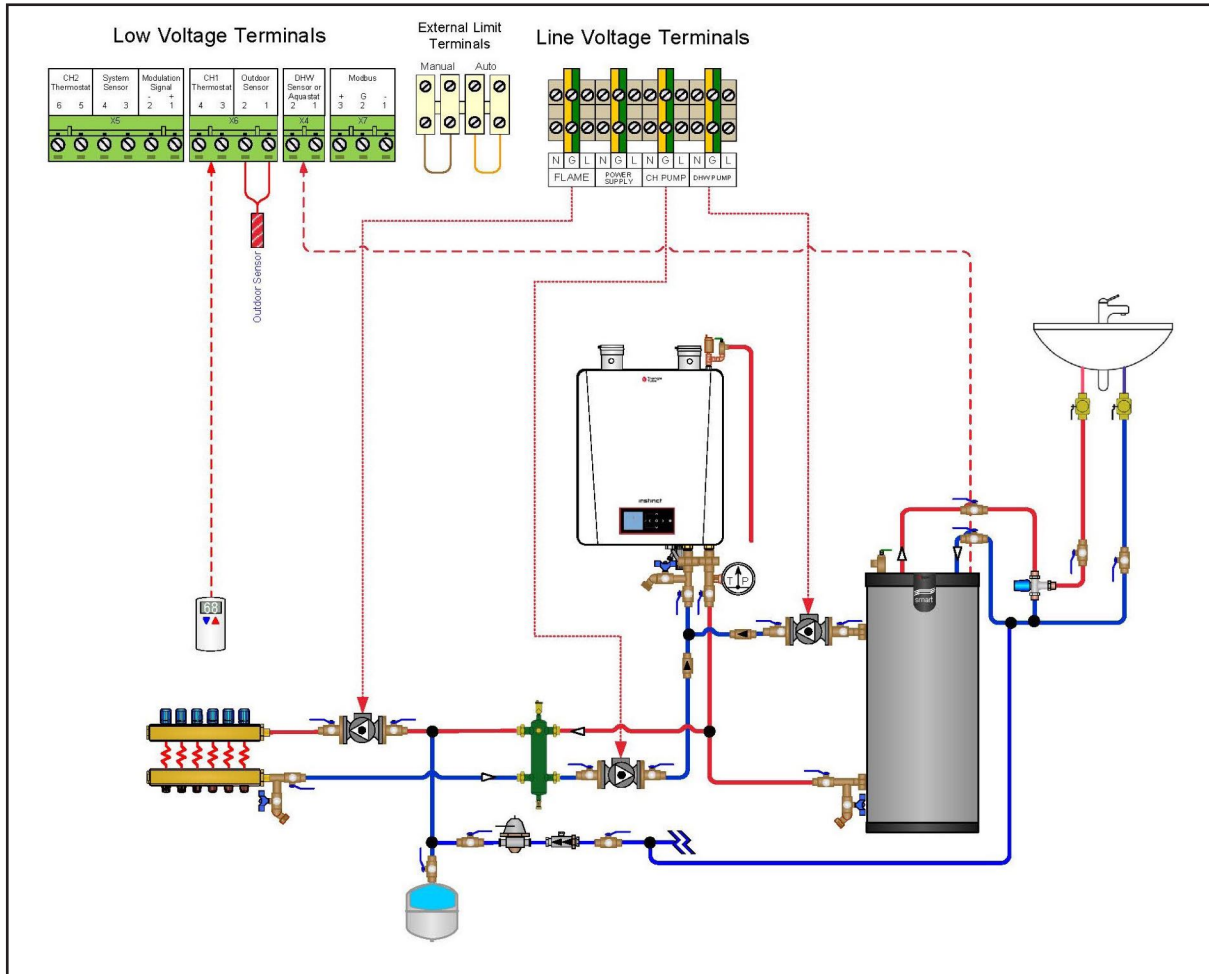


Fig. 19: Instinct Solo - Single Zone with Circulator - Domestic Piping Alternate

NOTICE

Piping layout is shown with a Hydraulic Separator. Closely spaced tees and an air separator can be used as shown in Fig. 10 on page 6.

Layout is shown with separate Circulator and check valve. If using a circulator with internal check valve, the corresponding check valve is unnecessary.

Instinct Solo Pump Configuration

Heat Call	Flame	CH Pump	DHW Pump
CH1	ON	ON	OFF
CH2	ON → OFF*	ON	OFF
DHW	OFF	OFF → ON*	ON

* A custom pump setting is required via flexible pump configuration

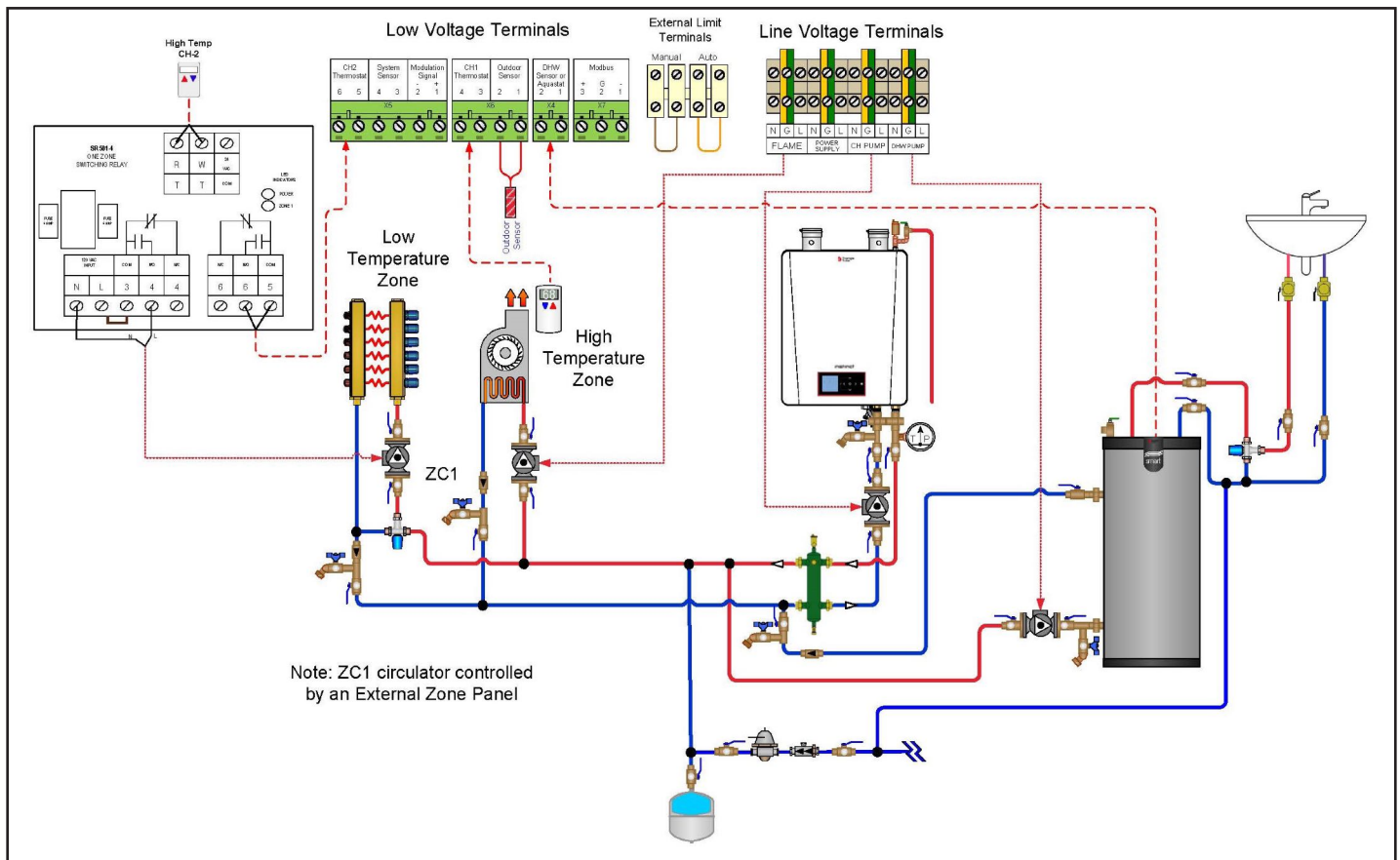


Fig. 20: Instinct Solo - Multiple Temperature Zones with Circulators

NOTICE

Piping layout is shown with a Hydraulic Separator. Closely spaced tees and an air separator can be used as shown in Fig. 10 on page 6.

Layout is shown with separate Circulator and check valve. If using a circulator with internal check valve, the corresponding check valve is unnecessary.

Instinct Solo Pump Configuration

Heat Call	Flame	CH Pump	DHW Pump
CH1	ON	ON	OFF
CH2	ON → OFF*	ON	OFF
DHW	OFF	OFF	ON

* A custom pump setting is required via flexible pump configuration

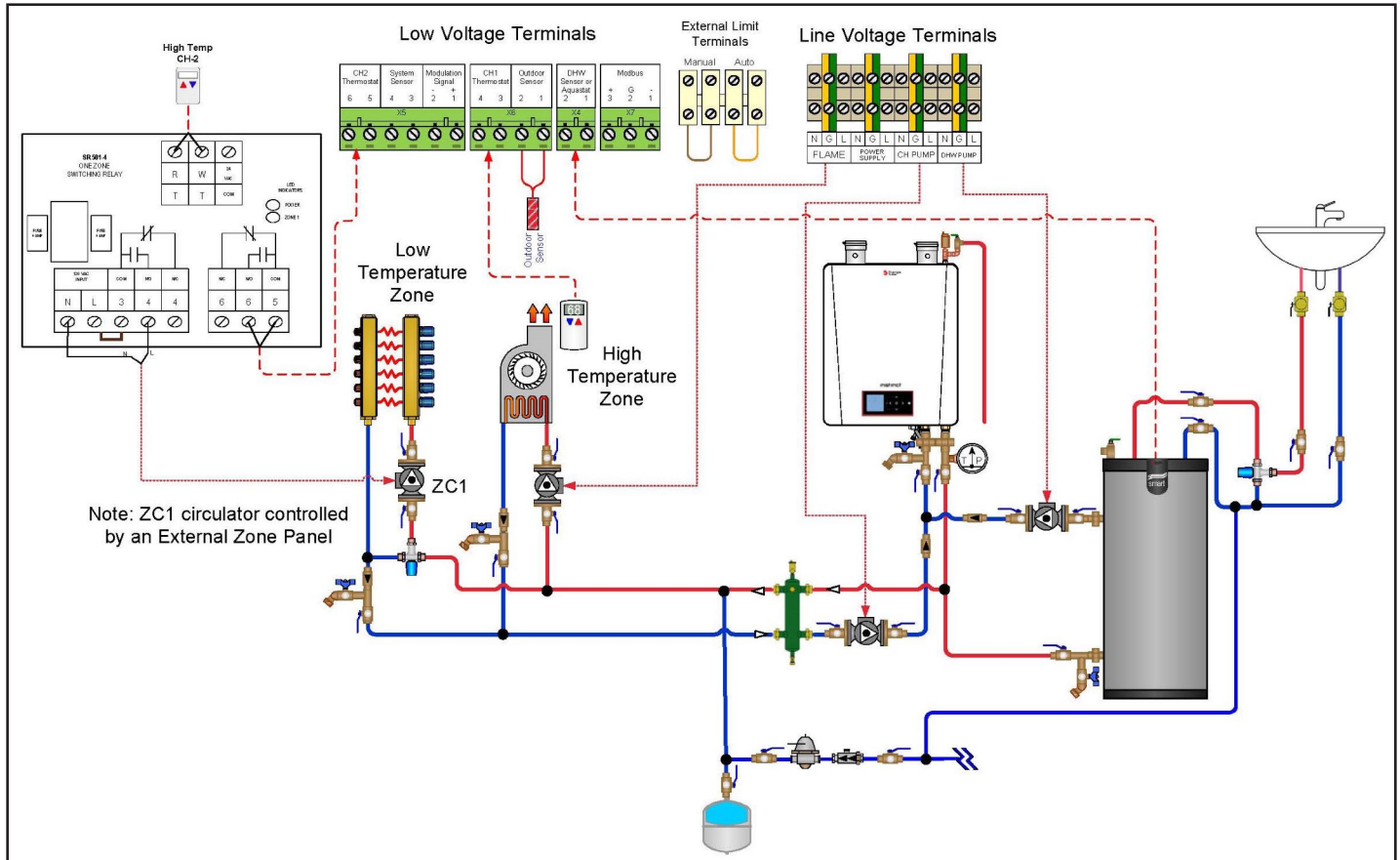


Fig. 21: Instinct Solo - Multiple Temperature Zones with Circulators - Domestic Piping Alternate

NOTICE

Piping layout is shown with a Hydraulic Separator. Closely spaced tees and an air separator can be used as shown in Fig. 10 on page 6.

Layout is shown with separate Circulator and check valve. If using a circulator with internal check valve, the corresponding check valve is unnecessary.

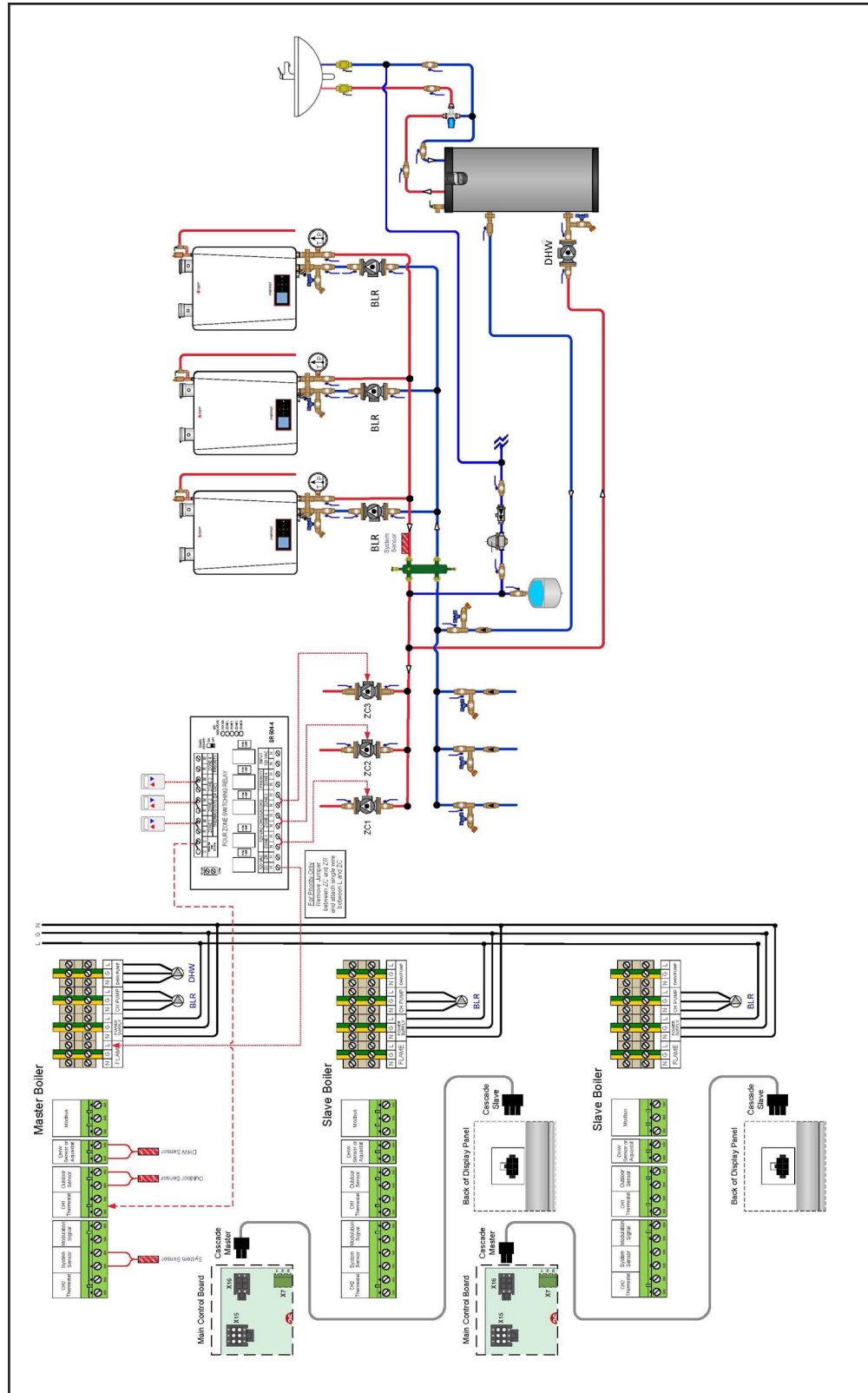


Fig. 22: Instinct Solo - Cascade Layout

4. Instinct Combi Piping Diagrams

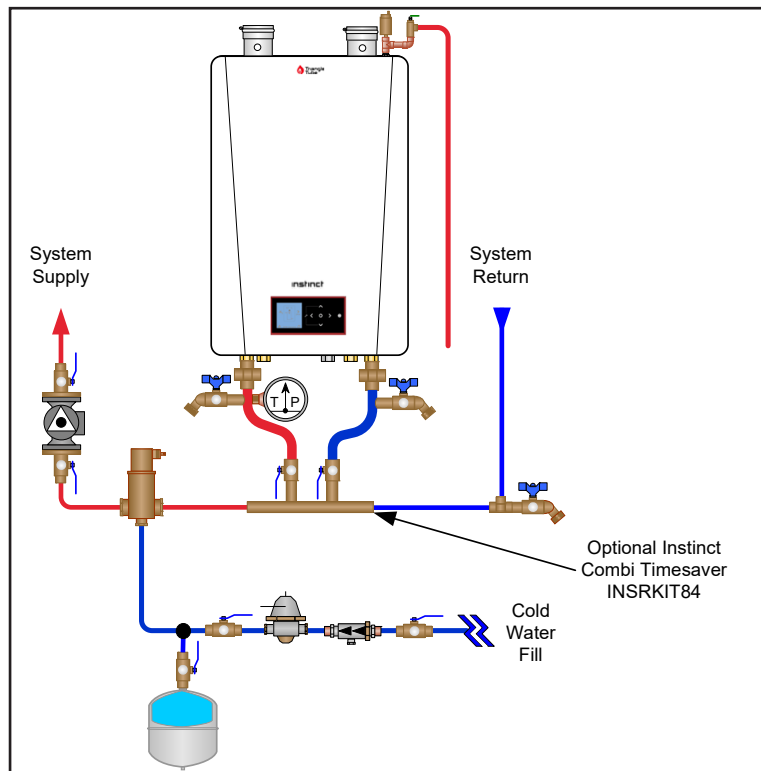


Fig. 23: Instinct Combi Near Boiler Piping with Timesaver Manifold

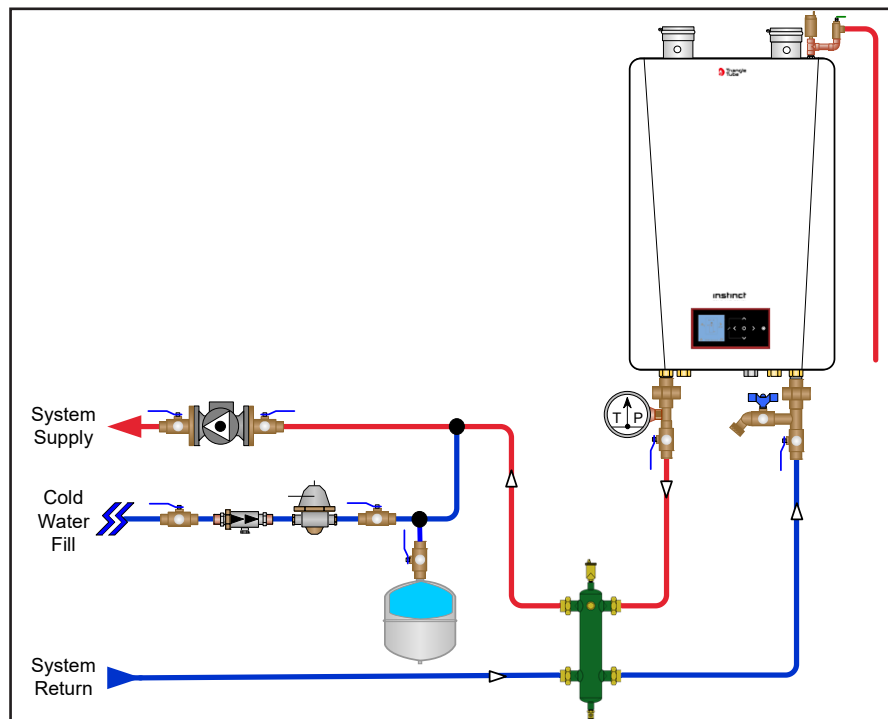


Fig. 24: Instinct Combi Near Boiler Piping with Hydraulic Separator

Instinct Combi Pump Configuration

Heat Call	Flame	CH Pump	DHW Pump
CH1	ON	ON	OFF
CH2	ON	ON	OFF
DHW	OFF	ON	ON

Note. Instinct Combi is pre-configured for this installation

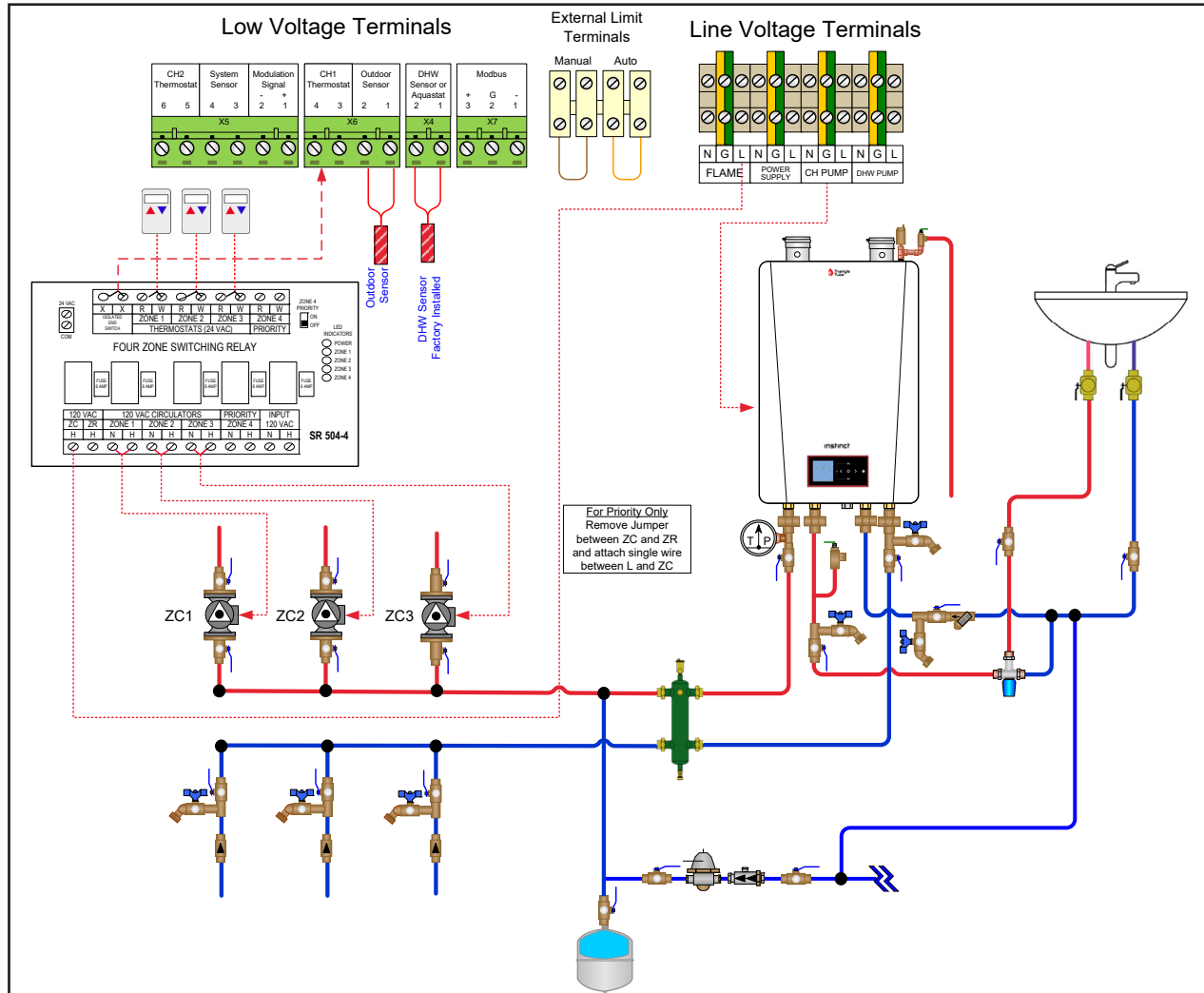


Fig. 25: Instinct Combi - Multiple Zones with Circulators

NOTICE

Piping layout is shown with a Hydraulic Separator. The Timesaver manifold (INSRKIT84) and air separator can be used as shown in Fig. 23 on page 18.

Layout is shown with separate Circulator and check valve. If using a circulator with internal check valve, the corresponding check valve is unnecessary.

Instinct Combi Pump Configuration

Heat Call	Flame	CH Pump	DHW Pump
CH1	ON	ON	OFF
CH2	ON	ON	OFF
DHW	OFF	ON	ON

Note. Instinct Combi is pre-configured for this installation

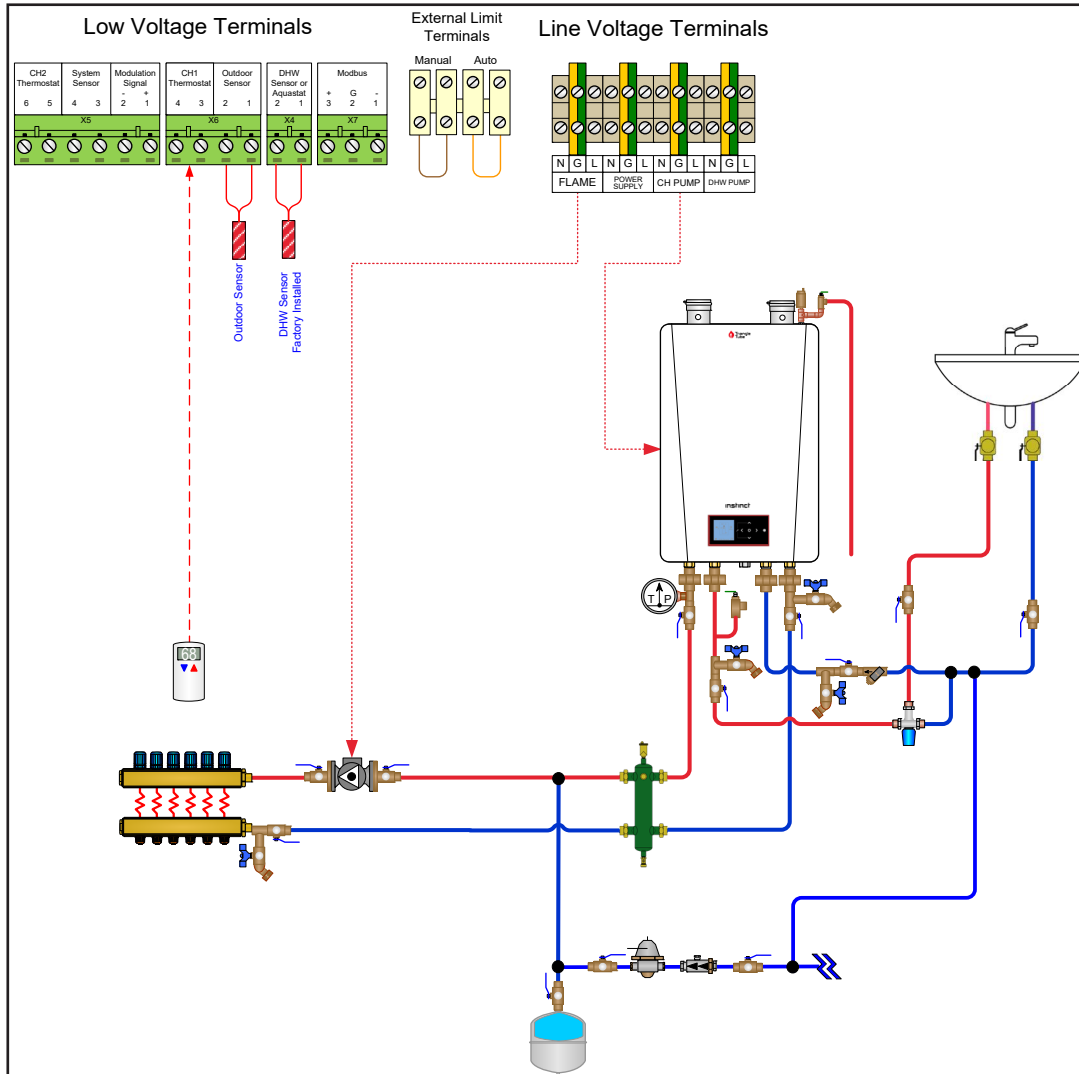


Fig. 26: Instinct Combi - Single Zones with Circulator

NOTICE

Piping layout is shown with a Hydraulic Separator. The Timesaver manifold (INSRKIT84) and air separator can be used as shown in Fig. 23 on page 18.

Layout is shown with separate Circulator and check valve. If using a circulator with internal check valve, the corresponding check valve is unnecessary.

Instinct Combi Pump Configuration

Heat Call	Flame	CH Pump	DHW Pump
CH1	ON	ON	OFF
CH2	ON → OFF *	ON	OFF → ON*
DHW	OFF	ON	ON → OFF *

* Custom pump settings are required via flexible pump configuration

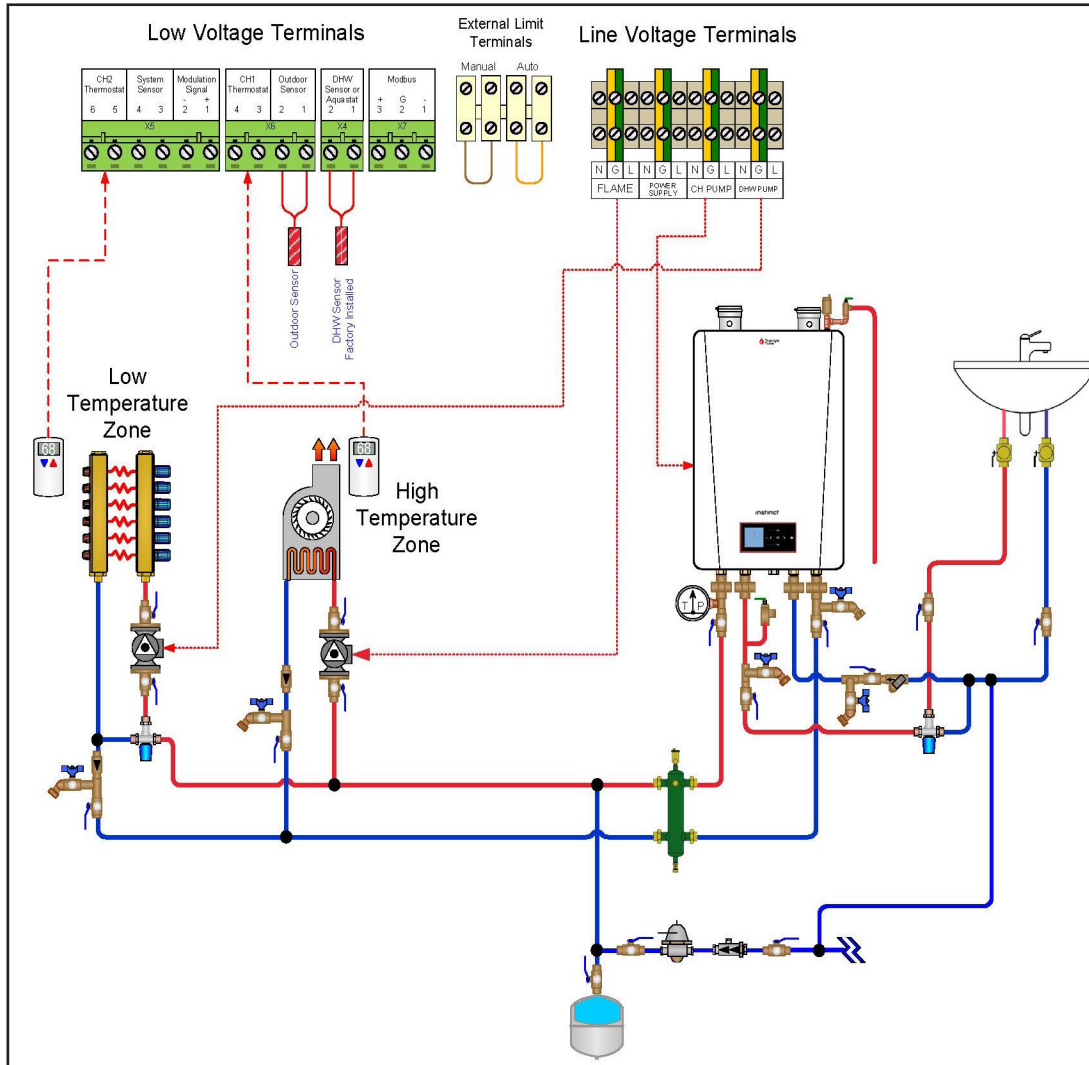


Fig. 27: Instinct Combi - Multiple Temperature Zones with Circulators

NOTICE

Piping layout is shown with a Hydraulic Separator. The Timesaver manifold (INSRKIT84) and air separator can be used as shown in Fig. 23 on page 18.

Layout is shown with separate Circulator and check valve. If using a circulator with internal check valve, the corresponding check valve is unnecessary.

Instinct Combi Pump Configuration

Heat Call	Flame	CH Pump	DHW Pump
CH1	ON	ON	OFF
CH2	ON	ON	OFF
DHW	OFF	ON	ON

Note. Instinct Combi is pre-configured for this installation

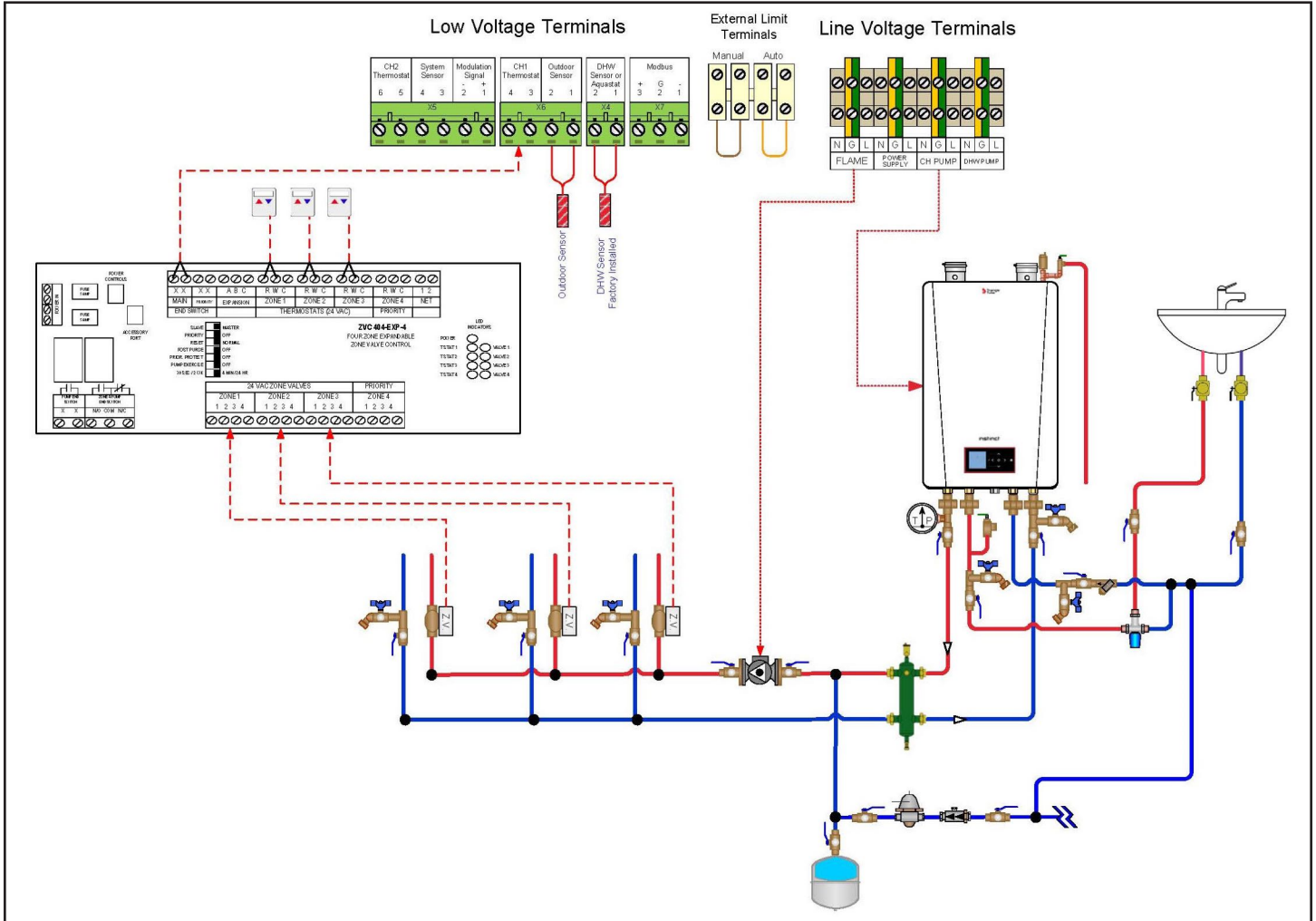


Fig. 29: Instinct Combi - Multiple Zones with Zone Valves and Zone Valve Control Panel

NOTICE

Piping layout is shown with a Hydraulic Separator. The Timesaver manifold (INSRKIT84) and air separator can be used as shown in Fig. 23 on page 18.