



**Models**  
**P40U, P40U-P,**  
**P40U-W**  
LOW INTENSITY TUBE TYPE  
INFRA RED HEATERS

**&**

**Models**  
**P40U-I, P40U-IP,**  
**P40U-IW**  
LOW INTENSITY TUBE TYPE  
INFRA RED HEATERS

## INSTALLATION / OWNER'S MANUAL



**WARNING** Improper installation, adjustment, alteration, service or maintenance can cause property damage, injury or death. Read the installation and operating and maintenance instructions thoroughly before installing or servicing this equipment.

### SAFETY ALERT:

This heater must be installed and serviced only by a trained gas service technician. Failure to comply could result in personal injury, death, fire and/or property damage.

Do not store or use gasoline or other flammable vapours and liquids in the vicinity of this or any other gas fired appliance.

### IF YOU SMELL GAS:

- Extinguish any open flame
- Do not attempt to light this or any other appliance
- Don't touch any electrical switch, or telephone
- Immediately call your gas supplier from a neighbor's phone
- Follow any and all instruction from your gas supplier
- If your gas supplier is not available, call the fire department



**FIELD CONVERTIBILITY:**  
This appliance is field convertible to Propane using an optional kit supplied by the manufacturer

**Keep this manual in a secure place .**  
*Record for future reference:*

Model #: \_\_\_\_\_

Serial #: \_\_\_\_\_

*(located on heater rating label)*

**GAS-FIRED**



**NOTICE:**

*This manual is current for this product. Occasional revision of the product Certification Standard may require changes to the product and/or this manual.*

*This publication, or parts thereof, may not be reproduced in any form, without prior written consent from The Manufacturer. Unauthorized use or distribution of this publication is strictly prohibited.*

**Schwank Group**

*5285 Bradco Boulevard  
Mississauga, Ontario, L4W 2A6  
PO Box 988, 2 Schwank Way  
Waynesboro, Georgia 30830*

**Customer & Technical Services**

*Phone: 877-446-3727  
Fax: 866-361-0523  
e-mail: [csr@schwankgroup.com](mailto:csr@schwankgroup.com)*

**[www.schwankgroup.com](http://www.schwankgroup.com)  
[www.infrasave.com](http://www.infrasave.com)**

# P40U (-P, -W) / P40U-I (-IP,-IW) SERIES GAS FIRED INFRARED LOW INTENSITY U-TUBE TYPE

## TABLE OF CONTENTS



### **IMPORTANT INFORMATION - READ FIRST**

<b>APPLICATION</b> .....	4
<b>HEATER EXPANSION</b> .....	5, 31
<b>GAS CONNECTION</b> .....	5, 31
<b>VENTING</b> .....	5, 26
<b>START UP 'SMOKE'</b> .....	5
<b>THERMOSTAT COMFORT SETTING</b> .....	5
<b>CLEARANCE TO COMBUSTIBLES</b> .....	6
Clearances Figure & Table .....	7
<b>STACKING HEIGHT SIGN</b> .....	8

<b>TOPIC</b>	<b>..... PAGE</b>
1. LABOR REQUIREMENTS .....	9
2. INSTALLATION IN AIRCRAFT HANGARS .....	9
3. INSTALLATION IN COMMERCIAL GARAGES .....	9
4. INSTALLATIONS OTHER THAN SPACE HEATING .....	9
5. PRE-INSTALLATION SURVEY .....	10
6. MOUNTING CLEARANCES .....	10
SERVICE CLEARANCE .....	11
7. HEATER PLACEMENT GUIDELINES .....	11
8. HEATER INSTALLATION .....	12
TURBULATORS .....	15
8A SEISMIC RESTRAINT .....	16
8B HIGH WIND RESTRAINT .....	16
9. FLUE VENTING .....	17
10. COMBUSTION AIR DUCTING .....	23
11. GAS SUPPLY & CONNECTION .....	24
ORIENTATION OF FLEXIBLE GAS CONNECTION .....	25
12. GAS CONVERSION .....	26
13. ELECTRICAL AND THERMOSTAT .....	27
14. HIGH ALTITUDE INSTALLATION .....	27
15. LIGHTING INSTRUCTIONS .....	27
16. RECOMMENDED MAINTENANCE .....	27
17. WIRING DIAGRAM: FENWAL DSI: MODELS P40U, P40U-I .....	28
18. WIRING DIAGRAM MULTIPLE HEATERS PER THERMOSTAT .....	29
19. FENWAL DSI OPERAT6ION .....	30

<b>TOPIC</b>	<b>.....PAGE</b>
20. WIRING DIAGRAM: P40U-P, P40U-W .....	33
21. SEQUENCE OF OPERATION P40U-P, P40U-W .....	34
22. GASLITER MICRO 50N DSI .....	35
23. SPARK IGNITER SET UP .....	36
24. TROUBLESHOOTING GUIDE .....	37
25. START- UP / COMMISSIONING SHEET .....	38

### **PRODUCT DIMENSIONS & DATA**

26. HEATER DIMENSIONS / WEIGHTS .....	41
27. HIGH ALTITUDE & ORIFICE CHART .....	42
28. OPTIONAL ACCESSORIES .....	43
29. REPLACEMENT PARTS LIST .....	47
WARRANTY STATEMENT .....	BACK PAGE

### **FIGURES:**

FIG 1 - CLEARANCE TO COMBUSTIBLES .....	7
FIG 2 - SERVICE CLEARANCE .....	11
FIG 3 - TYPICAL MOUNTING HARDWARE .....	13
FIG 4 - TYPICAL SUSPENSION .....	14
FIG 5 - HEATER DIMENSIONS & SUSPENSION ANGLE OPTIONS .....	14
FIG 6 - CLEARANCE TO COMBUSTIBLES (repeated) .....	15
FIG 7 - SEISMIC RESTRAINT .....	16
FIG 8 - HIGH WING RESTRAINT .....	16
FIG 9 - HEATER EXPANSION - VENT .....	19
FIG 10 - VERTICAL VENT .....	20
FIG 11 - HORIZONTAL VENT .....	22
FIG 12 - ORIENTATION OF FLEXIBLE GAS .....	24
FIG 13 - INCORRECT FLEXIBLE GAS .....	25
DIMENSIONS & WEIGHTS .....	41
WIRING DIAGRAMS: FENWAL DSI .....	28
MULTIPLE HEATERS PER THERMOSTAT .....	29
CHANNEL GASLITER MICRO 50N DSI .....	33



## WARNING

Improper installation, adjustment, alteration, service or maintenance can cause property damage, injury or death.



Read and understand this installation and operation manual thoroughly prior to assembly, installation, operation or service to this appliance.

This heater must be installed and serviced only by a trained gas service technician.

Do not store or use gasoline or other flammable vapours and liquids in the vicinity of this or any other gas fired appliance.



Failure to comply could result in personal injury, death, fire and/or property damage.

Do not store or use gasoline or other flammable vapours and liquids in the vicinity of this or any other gas fired appliance.

This appliance may have sharp edges and corners. Wear protective clothing such as gloves and protective eye wear when servicing this or any other appliance.

### California Proposition 65:



**WARNING:** This product can expose you to chemicals including carbon monoxide, which is known to the State of California to cause birth defects or other reproductive harm. For more information, go to [www.P65Warnings.ca.gov](http://www.P65Warnings.ca.gov)

---

## INSPECT PRODUCT UPON RECEIPT

Inspect the carton and heater for concealed damage. Note any damage on the Bill of Lading and make any damage claim to the transport company as soon as possible.

## APPLICATION

It is beyond the scope of these instructions to consider all conditions that may be encountered. Installation must conform with local building codes or, in the absence of local codes, with the National Fuel Gas Code, ANSI Z223.1/NFPA 54 in the U.S.A. or the Natural Gas and Propane Installation Code, CSA B149.1 in Canada. The latest edition Electrical Code ANSI/NFPA N0 70 in the U.S.A. and PART 1 CSA C22.1 in Canada must also be observed.

Installation of a gas fired tube heater must conform to all heating installation procedures including clearance to combustibles, connection to the gas and electrical supplies, and ventilation.

This heater is not for installation **indoors** in a residence. Refer to model P40-R for residential garage / workshop application.

This heater is not for installation in a Class 1 or Class 2 explosive environment. If the application is in question, consult with local authorities having jurisdiction (Fire Marshall, labor department, insurance underwriter, or other authority).

Revisions to codes and/or standards, may require revision to equipment and installation procedures. In case of discrepancy, the latest codes, standards, and installation manual will take priority over prior releases.

## **SPECIFIC APPLICATION BY AVAILABLE MODELS in this Series:**

**Models P40U / P40U-I** for heating of commercial/industrial non-residential **indoor spaces**.

**Models P40U-P** and **P40U-IP** have a powder coated water resistant burner enclosure for heating commercial / industrial **wet indoor environments**, or **outdoor spaces** including residential.

**Models P40U-W** and **P40U-IW** have a stainless steel water resistant burner enclosure for heating commercial / industrial **wet indoor environments**, or **outdoor spaces** including residential.



## WARNING

### Heater Expansion



It is a normal condition that during heat-up and cool-down a tube heater will expand and contract. Allowances for heater expansion must be made in the gas connection, venting and combustion air ducting. Improper installation, alteration, or adjustment can result in property damage, injury or death. **Refer to Section 11**



## WARNING

### Gas Connection



Improper installation, connection, or adjustment can result in property damage, toxic gases, asphyxiation, injury or death. Using an approved flexible gas connector in the USA or Type 1 hose connector in Canada, the gas supply to the heater must be connected and tested in accordance with all local, state, provincial, and national codes (ANSI Z223.1/NFPA 54 in USA; B149.1 in Canada) and as indicated in this manual. **Refer to Section 11**



## WARNING

### Venting



Inadequate venting of a heater may result in asphyxiation, carbon monoxide poisoning, injury or death. This heater may be vented from the space, or the products of combustion can be removed/diluted using mechanical or natural ventilation. Venting or ventilation must be in accordance with all local, state, provincial, and national codes (ANSI Z223.1/NFPA 54 in USA; B149.1 in Canada) and as indicated in this manual.



## WARNING

### Start-Up 'SMOKE' Condition

During start up, the heating of material coatings used in the production process of tubes and reflectors will create smoke during the initial period of operation. This condition is normal and temporary .

Ensure that there is sufficient ventilation to adequately clear any smoke from the space.

Notify site and safety personnel to ensure that alarm systems are not unduly activated.



## IMPORTANT

### THERMOSTAT SETTING FOR COMFORT

Infrared radiant (IR) heating system provide comfort with the effect of radiant heat and ambient air heat.

If your IR system is controlled with a thermostat (TruTemp or ThermoControl Plus) that senses radiant heat, then set the thermostat to the desired comfort temperature (ie: 65°; 68°; 20°C).

If your IR system is controlled with a standard 24V or 120V thermostat that senses only air temperature, then start with a thermostat setting that is 5° to 7°F (3° to 5°C) lower than the desired comfort temperature. Some trial and error setting may be required to 'fine tune' the comfort temperature that best suits your site and provides most economical operation.



## WARNING

### **Clearance to combustibles**

Location of flammable or explosive objects, liquids or vapors close to the heater may cause fire or explosion and result in property damage, injury or death. Do not use, store or locate flammable or explosive objects, liquids or vapors in proximity of the heater.



**The clearance to combustible material represents the minimum distance that must be maintained between the outer heater surface and a nearby surface. The stated clearance to combustibles represents a surface temperature of 90F° (50C°) above room temperature. It is the installer's responsibility to ensure that building materials with a low heat tolerance which may degrade at lower temperatures are protected to prevent degradation. Examples of low heat tolerance materials include vinyl siding, fabrics, some plastics, filmy materials, etc.**

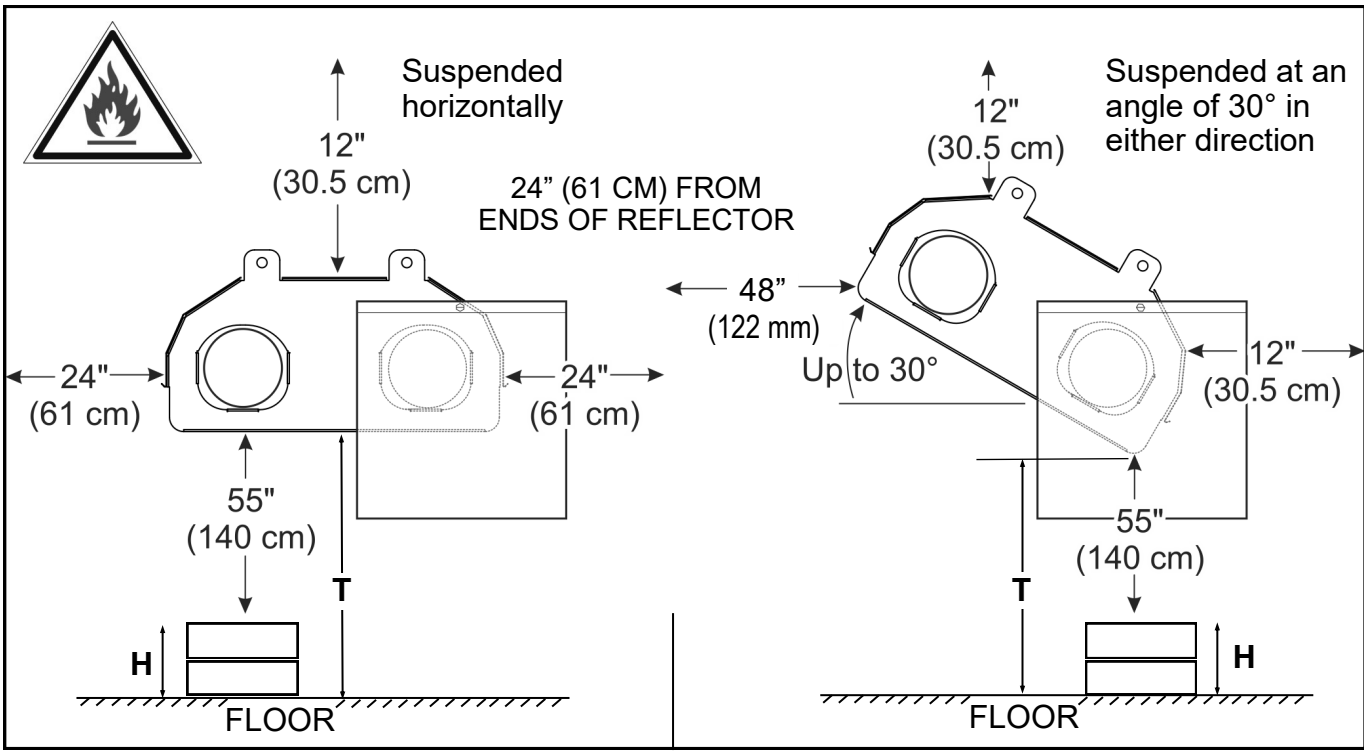
In locations used for the storage of combustible materials, signs must be posted to specify the maximum permissible stacking height to maintain the required clearances from the heater to the combustibles. Such signs must either be posted adjacent to the heater thermostats or in the absence of such thermostats in a conspicuous location. In addition to stored or stationary material, consideration must also be given to moveable objects such as cranes, vehicles, and overhead doors, and structural objects such as sprinkler heads, electrical and gas lines, and electrical fixtures.

It is beyond the scope of these instructions to consider all conditions that may be encountered. Consult local authorities such as the Fire Marshall, insurance carrier, or safety authorities if you are uncertain as to the safety or applicability of the proposed installation.

**Refer to Figure 1 and Table 1 for the certified clearances to combustibles for the appropriate model input/size.**

**NOTE:** A 'PEEL & STICK' SIGN IS SUPPLIED: USE AN INDELIBLE MARKER TO ENTER VALUES ON THE SIGN: 'H' = Calculate (instruction below)  
 Sides of horizontal heater: 'S' = 24 inches (610 mm)  
 Front of 30° Angle heater: 'F' = 48 inches (122 mm)  
 Behind 30° Angle Heater 'B' = 24 inches (610 mm)  
 POST THE SIGN ADJACENT TO THE HEATER THERMOSTAT OR IN A PROMINENT LOCATION. See next page for details.

**FIGURE 1 MINIMUM CLEARANCES TO COMBUSTIBLES\*** - Table 1 lists values



Calculate Maximum Stack Height 'H': (Enter value 'H' on the peel and stick label supplied)

- $H = T - 55$  inches (140 cm)
- 'T' is measured on site = distance from the bottom of the heater hanger to the floor
- 55 inches (140 cm) is the required minimum clearance below the heater

**TABLE 1 MINIMUM CLEARANCES TO COMBUSTIBLE SURFACES OR MATERIALS\***

MODELS	SUSPENDED HORIZONTALLY			SUSPENDED AT AN ANGLE UP TO 30 DEGREES			
	TOP inches (cm)	BELOW inches (cm)	SIDES inches (cm)	TOP inches (cm)	BELOW inches (cm)	FRONT inches (cm)	BEHIND inches (cm)
P40U / P40U-I P40U-P / P40U-IP P40U-W/P40U-IW	12 (31)	55 (140)	24 (61)	12 (31)	55 (140)	48 (122)	12 (31)
Clearance from 'U' end of heater (horizontal or angled): 24" (61 cm)							

\*The clearance to combustible materials represents the minimum distance that must be maintained between the heater and a nearby surface. The stated clearance to combustibles represents a surface temperature of 90F° (50C°) above room temperature.

**It is the installer's responsibility to ensure that building materials with a low heat tolerance which may degrade at lower temperatures are protected to prevent degradation. Examples of low heat tolerance materials include vinyl siding, fabrics, some plastics, filmy materials, some coatings and laminated finishes, etc.**

**VENT END CLEARANCE:** Clearances from the vent pipe are determined by local or national installation codes, but must not be less than 6 inches (15 cm). For 'unvented' installation, a minimum distance of 24 inches (61 cm) is required from the end of heater to a combustible surface.

**WARNING**

**In locations used for the storage of combustible materials: Signs must be posted specifying the *maximum permissible stacking height* to maintain the required clearances from the heater to the combustibles.**

The signs must be posted either adjacent to the IR heating system thermostats or in the absence of such thermostats, in a conspicuous place.

**For your convenience a “peel and stick” sign is provided with this heater. Use a permanent marker to record the required dimensions on the sign.**

'H' is a value calculated at site:  $(H = T - C)$

- Measure the on site distance between bottom of the hanger and the floor = 'T' inches (cm).
- The minimum clearance to combustibles below this model heater is 55 inches (140 cm)
- Subtract 55 inches (140 cm) from 'T' to get value 'H'.
- Enter the calculated value 'H' on the sign

For model P40U enter the values for other dimensions are: 'S' = 24" (61 cm), 'F' = 36" (91.5 cm) and 'B' = 12" (30.5 cm). See Figure 1 and Table 1

*Post this sign as instructed above.*



## 1. LABOR REQUIREMENTS

Two persons are required to safely install this equipment. SHARP EDGES - Wear gloves and other required safety protection.

## 2. INSTALLATION IN COMMERCIAL AIRCRAFT HANGARS

Low intensity radiant tube heaters are suitable for use in aircraft hangars when installed in accordance with the latest edition of the Standard for *Aircraft Hangars*, ANSI/NFPA No 409 in the USA, or the Canadian *Natural Gas and Propane Installation Code*, B149.1.

- A. A minimum clearance of 8 ft (2.4 m) must be maintained from the bottom of the heater to the floor in other sections of the aircraft hangar, such as offices and shops, which communicate with areas for servicing or storage. Refer to Table 1 for proper mounting clearances to combustibles.
- B. Heaters must be located so as to be protected from damage by aircraft and other objects, such as cranes and movable scaffolding.
- C. Heaters must be located so as to be accessible for servicing and adjustment.

## 3. INSTALLATION IN COMMERCIAL GARAGES AND PARKING STRUCTURES

Low Intensity Heaters are suitable for use in commercial garages when installed in accordance with the latest edition of the Standard for *Parking Structures*, ANSI/NFPA 88A, or the Standard for *Repair Garages*, ANSI/NFPA No. 88B, or the Canadian *Natural Gas and Propane Installation Code*, B149.1.



### **WARNING**

An overhead heater shall be located high enough to maintain the minimum distance to combustibles, as shown on the heater rating plate, from the heater to any vehicles parked below the heater.

Overhead heaters shall be installed at least 8 ft (2.4 m) above the floor.

## 4. INSTALLATIONS OTHER THAN SPACE HEATING

Use for process or other applications that are not space heating will void the C.S.A. certification and product warranty. Process application requires field inspection and/or certification by local authorities having jurisdiction.



## WARNING



Improper installation, adjustment, alteration, service or maintenance can cause property damage, injury or death. Read and understand this installation and operation manual thoroughly prior to assembly, installation, operation or service to this appliance.



This heater must be installed and serviced only by a trained gas service technician.

Do not store or use gasoline or other flammable vapours and liquids in the vicinity of this or any other gas fired appliance.



Failure to comply could result in personal injury, death, fire and/or property damage.

Do not store or use gasoline or other flammable vapours and liquids in the vicinity of this or any other gas fired appliance.

## 5. PRE INSTALLATION SURVEY

It is recommended that a full heating design including heat loss calculation be conducted on the structure or area to be heated. Heater sizing and placement must consider available mounting height, sources of greatest heat loss, and the certified clearances to combustibles with respect to stored material, moveable objects (cranes, vehicles, lifts, overhead doors, etc), sprinkler system heads, and other obstructions on the site. Consideration must also be given to vent / duct placement and the allowable combined lengths of vent and duct. Carefully survey the area to be heated, and for best results place burner and combustion chamber in the coldest area(s) .

Installation must conform with all local, state, provincial and national code requirements including the current latest edition ANSI Z223.1 (NFPA 54) in the U.S.A. and B149.1 installation code in Canada, for gas burning appliances and equipment. The latest edition Electrical Code ANSI/NFPA N0 70 in the U.S.A. and PART 1 CSA C22.1 in Canada must also be observed.

The heating system must have gas piping of the correct diameter, length, and arrangement to function properly. For this reason, a layout drawing is necessary.

## 6. MOUNTING CLEARANCES

This heater must be mounted with at least the minimum clearances between the heater and combustibles as shown in FIG-1, TABLE 1, Page 7. **It is the installer's responsibility to ensure that building materials with a low heat tolerance which may degrade at lower temperatures are protected to prevent degradation. Examples of low heat tolerance materials include vinyl siding, fabrics, some plastics, filmy materials, some coatings and laminated finishes, etc.**

**Ensure adequate clearance around the air intake at the burner to allow sufficient combustion air supply to the heater.**

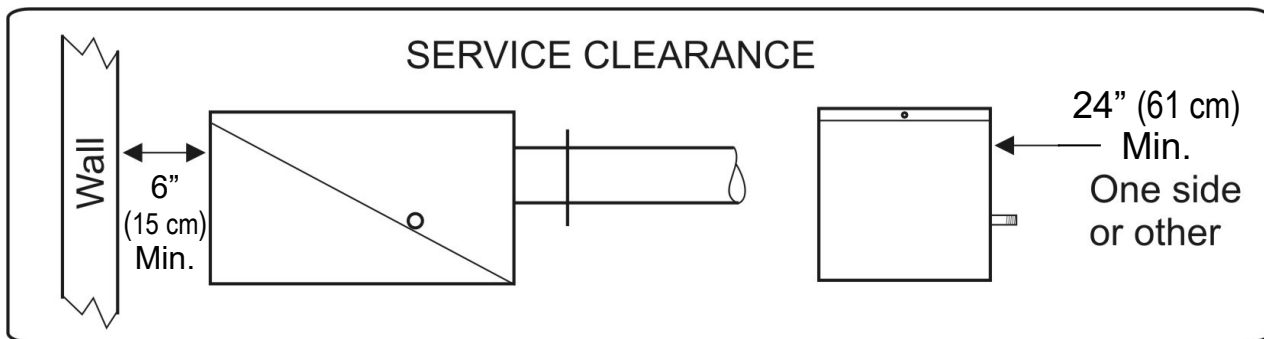
Proximity of lights, sprinkler heads, overhead doors, storage areas, gas and electrical lines, parked vehicles, cranes and any other possible obstruction or hazard must be evaluated.

It is recommended that Protective Guard JS-0502-UR-GK be installed on any heater mounted with less than 8 feet from floor to bottom of heater (See Accessories - Page 43).

**6A. SERVICE CLEARANCE:** The lower ‘jaw’ of the burner cabinet swings down to provide convenient service access to burner components. Provide a minimum clearance from any wall or obstruction of 6 inches (15 cm) to the access end of the burner housing, and a minimum of 24 inches (61 cm) to any ONE side to allow burner service. (see Figure 2 below)

The minimum clearances to combustibles must always be maintained.

**FIGURE 2**



**7. GUIDELINES FOR HEATER PLACEMENT\* - SPACE HEATING APPLICATIONS**

**TABLE 2**

MODEL	GUIDELINE * MOUNTING HEIGHT ft (m)	MAXIMUM BETWEEN HEATERS ft (m)	DISTANCE – HEATER LONG AXIS PARALLEL TO WALL	
			HORIZONTAL ft (m)	ANGLE MOUNTED
P40U / P40U-I P40U-P / P40U-IP P40U-W / P40U-IW	8 – 18 (2.4 - 5.5)	20 (6)	5 – 12 (1.5 - 3.6)	MINIMUM: COMBUSTIBLE CLEARANCE BEHIND (refer to Table 1)

\* GUIDELINE MOUNTING HEIGHTS are typical to provide optimum comfort in general space heating applications. Variance from these typical heights can occur in some applications:

- Higher mounting height due to structure or application requirements
- For ‘area’ or ‘spot’ heat, or in areas with greater infiltration rates (near overhead doors, etc) where more intense heat is needed to provide better comfort then lower mounting heights are recommended (minimum 8 ft [2.4 m] mounting height)
- It is recommended that Protective Guard JS-0502-UR-GK be installed on any heater mounted with less than 8 feet from floor to bottom of heater (See Accessories - Page 42)



**IMPORTANT:** Single or multiple heater placement must be such that continuous operation of heaters will not cause combustible material or materials in storage to reach a temperature in excess of ambient temperature plus 90F° (50C°).

**It is the installer's responsibility to ensure that building materials with a low heat tolerance which may degrade at lower temperatures are protected to prevent degradation. Examples of low heat tolerance materials include vinyl siding, fabrics, some plastics, filmy materials, etc.**

**Refer to "Clearance to Combustibles" information on pages 6 to 8.**

## 8. HEATER INSTALLATION



Inadequate or improper suspension of the tube heater can result in collapse of the system, property damage, and personal injury or death.

It is the installer's responsibility to ensure that the hardware and structural supports from which the heater is suspended are sound and of adequate strength to support the weight and expansion forces of the heater.



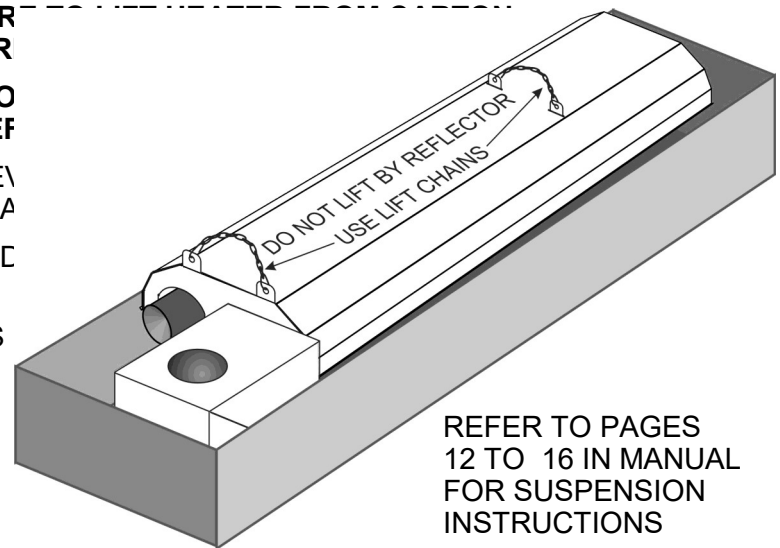
### USE CARE & CAUTION WHEN LIFTING HEATER FROM CARTON

#### 1. DO NOT LIFT THE HEATER BY THE REFLECTOR

#### 2. CHAINS PROVIDED ARE FOR HANDLING PURPOSES

#### 3. WHEN HANDLING FROM CARTON, HANDLE BY TUBE NOT REFLECTOR

4. KEEP THE HEATER HORIZONTAL / LEVEL LENGTH WHILE HANDLING AND INSTALLATION
5. AT LEAST 2 PERSONS ARE REQUIRED TO REMOVE AND INSTALL THIS HEATER
6. LIFT SAFELY - LIFT WITH YOUR LEGS AND KEEP BACK STRAIGHT - DO NOT BEND OR TWIST.
7. BEWARE - SHARP EDGES! WEAR PROTECTIVE GLOVES AND CLOTHING WHEN HANDLING



REFER TO PAGES 12 TO 16 IN MANUAL FOR SUSPENSION INSTRUCTIONS

**IMPORTANT: FIRST READ** and ensure that installation adheres to the information provided on pages 4 to 8 of this manual, and all national and local codes.

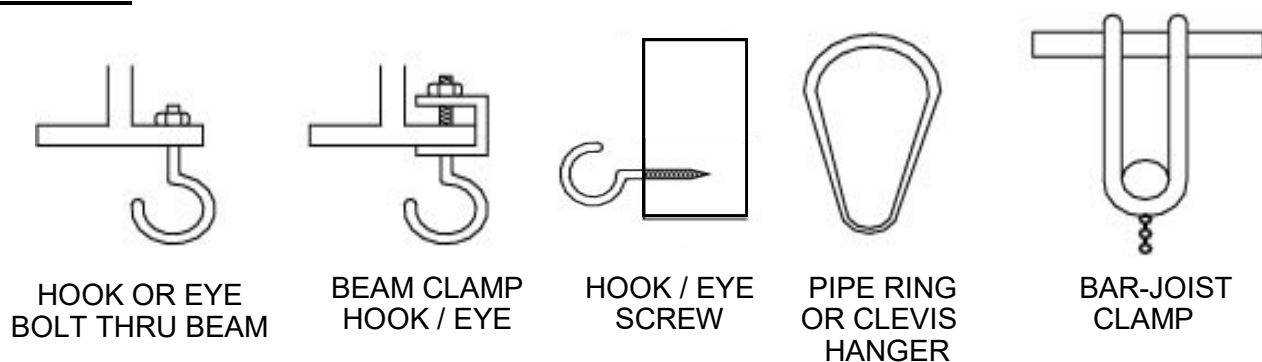
Refer to Figures on next pages for figures and dimensions to assist in installation.

1. Establish the location and install the structural mounting supports and any suspension hardware (chain, etc) prior to removing heater from the carton
2. Connect to the structure using mechanically sound means to support the weight. Examples of typical hardware are illustrated in FIGURE 3 NEXT PAGE.
  - b) If rigid hardware such as 3/8" threaded rod is used for suspension, swing joints or other means must be provided to allow for system expansion - approximately 1/2 inch for P40U.
3. P40U Models are packaged with the burner assembled to the tube system at the factory.

For many applications a pre-assembled heater simplifies installation.

4. However, for applications where there is constrained access to the installation location, or if the tube/reflector system is to be oriented at a 30° mounting angle (see 8. below), we recommend removal of the burner assembly prior to installation of the tube/reflector assembly. Simply disconnect the spark wire from the igniter and remove the four bolts that fasten the burner to the tube flange. Reinstall the burner after the tube system is installed.
5. Survey the available structural supports, considering the system configuration and heat requirements of the area to establish the optimum heater location.
6. Locating a heater directly under joists or beams, and/or installing supplemental steel support rail or angle iron can substantially reduce labor and material costs.
7. The P40U tube system hangers are located 72 inches (183 cm) apart.
8. The tube/reflector system can be oriented on the short axis from horizontal to an angle up to 30 degrees in either direction with the burner in the upper or lower position. The heater must be level along its length, and the burner positioned level across its width.
9. If the tube/reflector assembly is to be suspended at an angle up to 30°, the burner mounting flange has a slot pattern that allows adjustment (rotation) of the burner to a horizontal position for proper operation - **BURNER MUST BE HORIZONTAL ACROSS THE WIDTH** (see Figure 6 below).
  - Install the tube/reflector system as above, with tube/reflector assembly angled up to 30°
  - Loosen the 4 nuts (2 or 3 turns) until burner studs can rotate within the flange slots
  - CAUTION: Use care to ensure that the gasket between burner and flange rotates with the burner and is not damaged
  - Rotate burner to level position across its width
  - Tighten the 4 nuts to secure the burner in the horizontal position.
10. Hardware with a minimum 100 lb. (45 kg) work load must be used at each heater suspension point. A #2 Lion Chain or equivalent is typically used to suspend the heater.
11. The heater must be supported at all four mounting tabs on the hangers. Also install a chain from the eye hook at the upper corner of the burner to maintain system orientation.
12. For seismic and high wind restraint see Sections 8-A & 8-B, page 16.

**FIGURE 3 TYPICAL MOUNTING HARDWARE**

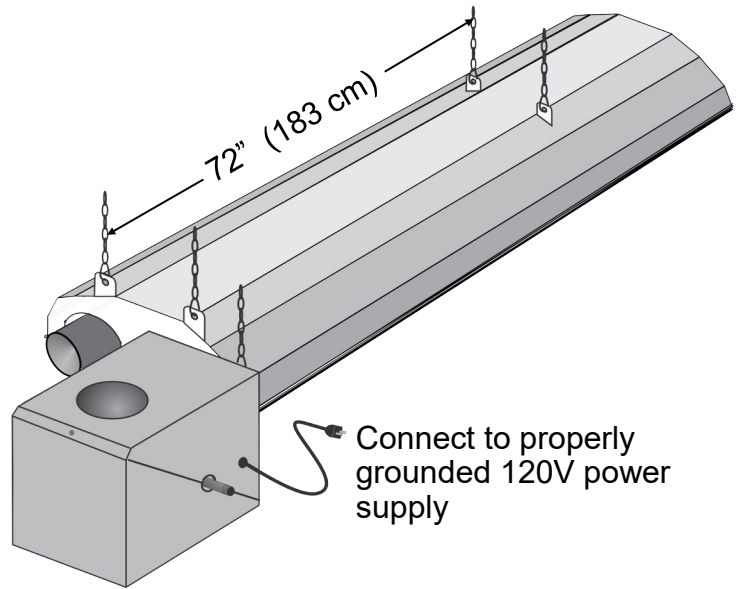


**NOTE:** It is the installer's responsibility to ensure that mounting hardware and fastening to structure are of sufficient strength and integrity to support the system.

## FIGURE 4 TYPICAL SUSPENSION

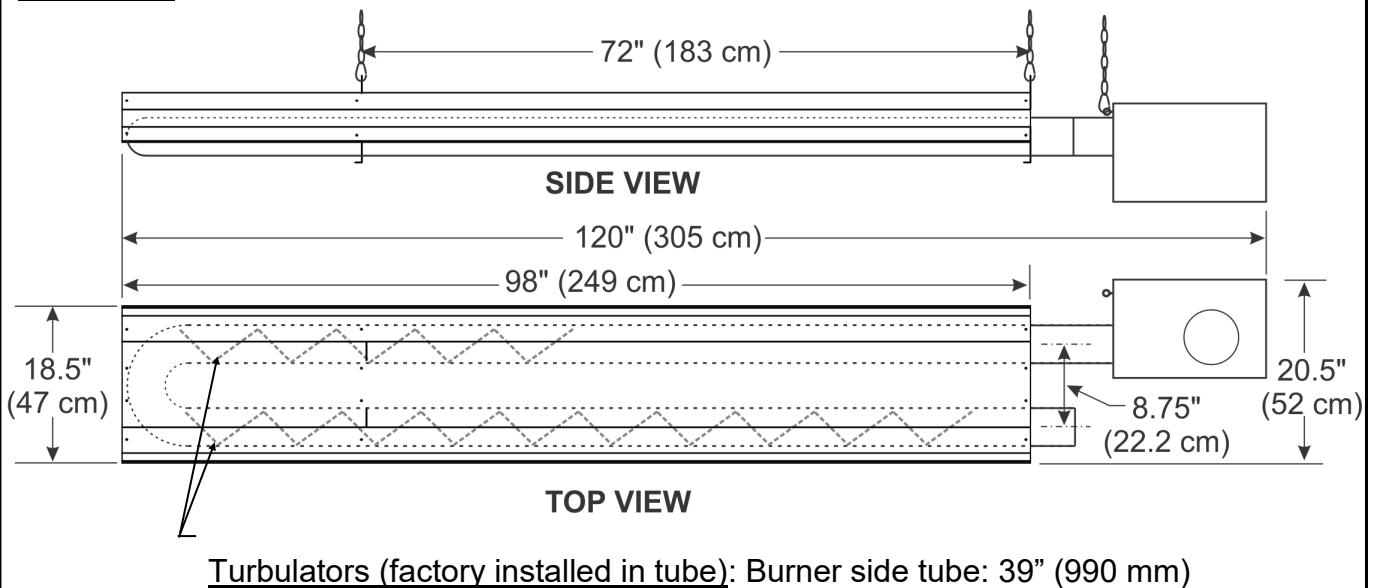
Use all four suspension points + a chain at burner eye hook.  
Hardware capable of supporting minimum 100 lbs (45 kg) at each suspension point.  
For seismic and high wind restraint see

**SERVICE ACCESS:** ALLOW A MINIMUM OF 6 INCHES (15 cm) FROM THE ACCESS END OF THE BURNER AND A MINIMUM OF 24 INCHES (60 cm) FROM EITHER SIDE OF THE BURNER TO A WALL OR ANY OBSTRUCTION THAT WOULD RESTRICT OR LIMIT ACCESS TO THE BURNER (SEE SECTIONS 5 & 6 - PRE-INSTALLATION SURVEY AND MOUNTING CLEARANCES)



For 30° angle mount: Install tube assembly at angle. Loosen burner bolts (4). Rotate burner to horizontal position - use care not to damage gasket.

## FIGURE 5 HEATER DIMENSIONS



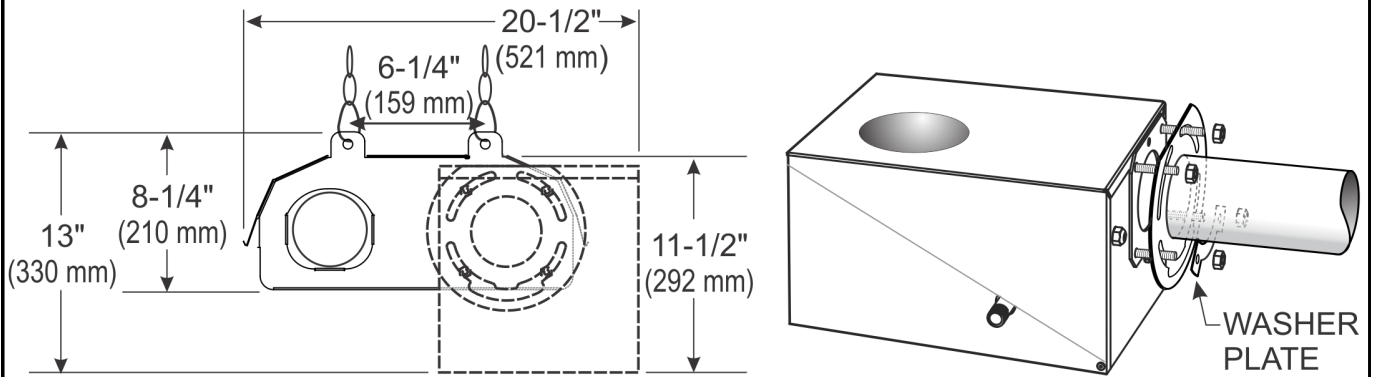
### Turbulators:

The system is assembled at the factory with turbulators inside the tube. The turbulators serve to increase system efficiency and lower the vent temperature. The turbulators must remain in place inside the tube.

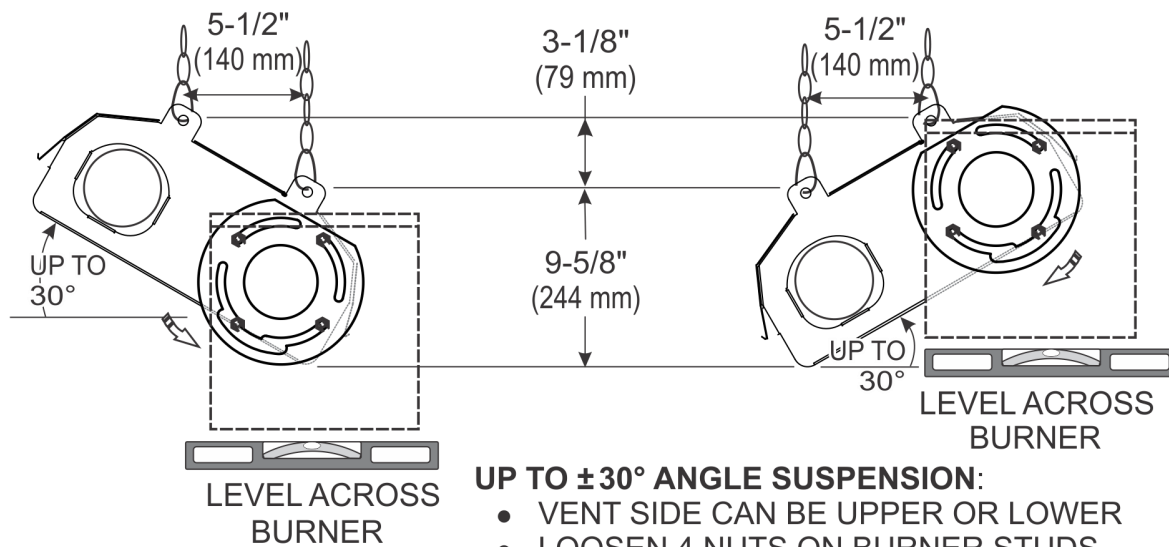
Burner side tube: 39" (990 mm) Turbulator (located at elbow, away from burner)

Vent side tube: 90" (2286 mm) Turbulator

**FIGURE 6 HEATER SUSPENSION: HORIZONTAL; UP TO 30° ANGLE (Either Direction)**



SLOTS IN TUBE FLANGE ALLOW BURNER ROTATION & HEATER SUSPENSION UP TO  $\pm 30^\circ$



**UP TO  $\pm 30^\circ$  ANGLE SUSPENSION:**

- VENT SIDE CAN BE UPPER OR LOWER
- LOOSEN 4 NUTS ON BURNER STUDS
- USE CARE NOT TO DAMAGE GASKET
- ROTATE BURNER TO LEVEL POSITION
- TIGHTEN NUTS TO SECURE

## 8-A SUGGESTED SEISMIC RESTRAINT - Lateral and Longitudinal Planes

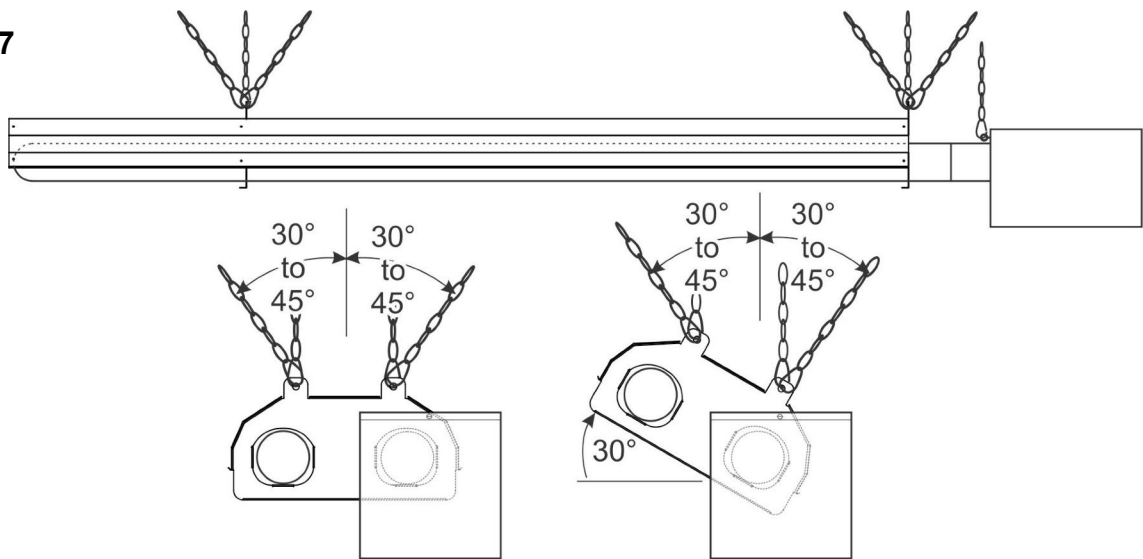
**NOTE:** Seismic restraint requirements vary greatly by geographic region or area. The information below is a guideline only for suspension of the heater. Adhere to specific seismic requirements and specifications of local engineering authority.

In areas prone to earthquake, or specified on a project, install lateral and longitudinal seismic restraints as suggested in Figure 7. If the heater location can be impacted by wind (near overhead doors, aircraft hangars, outdoors, etc) refer to High Wind Restraint section **8-B** below.

These guidelines indicate attachment of suspension and restraint hardware to the heater. The attachment of suspension hardware to the structure will be as required by site structural conditions, installation codes, and/or local engineering specifications. Other types or systems of restraint that are specified by local or national codes, or by project engineering design specifications may be required.

All required seismic mounting hardware is field supplied by the installer according to local specifications.

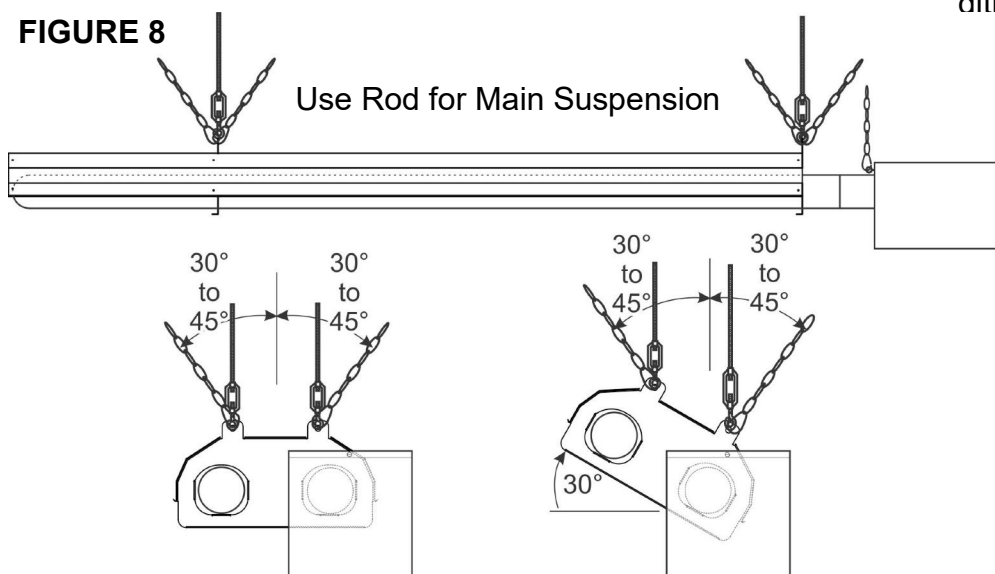
**FIGURE 7**



## 8-B SUGGESTED HIGH WIND RESTRAINT: Lateral, Longitudinal, and Vertical Planes

In areas with wind conditions that can impact the heater (outdoor, aircraft hangars, etc): in addition to lateral and longitudinal restraint the heater should be restrained from vertical movement (lift).

**FIGURE 8**



in addition to lateral and longitudinal restraint the heater should be restrained from vertical movement (lift).

Suspend the heater using 3/8" threaded rod with 3" adjustment turnbuckle at each hanger location to restrain up-and-down movement.

Install angled chains for lateral and longitudinal restraint.



## 9. FLUE VENTING - RADIANT TUBE HEATER



### IMPORTANT

Effective January 1, 2019: Changes to the ANSI/CSA standard that governs Radiant Tube Heaters specify the following appliance CATEGORIES and VENTING:

- **Vertical Vent Through Roof (Category I):** For vertical vent, this tube heater series operates with a negative static vent pressure and a vent temperature that does not result in excessive condensate in the vent and is defined as a Category I appliance. Refer to details below.
- **Horizontal Vent Through Wall (Category III):** For horizontal vent, this tube heater series operates with a positive static vent pressure and a vent temperature that does not result in excessive condensate in the vent and is considered a Category III appliance. Refer to details below.



### WARNING

Inadequate venting of a heater may result in asphyxiation, carbon monoxide poisoning, injury or death. This heater may use a vent connection or indirect venting system to remove products of combustion from the space. Seal all vent connections with high temperature sealant. Venting must be in accordance with all local, state, provincial, and national codes (ANSI Z223.1/NFPA 54 in USA; B149.1 in Canada) and as indicated below in this manual.



**THIS TUBE HEATER IS CERTIFIED FOR VENTING DIRECTLY TO THE OUTSIDE OR UNVENTED (INDIRECT VENTING) APPLICATIONS.**

### UNVENTED (INDIRECT MECHANICAL VENTING SYSTEM)

**USA:** Natural or mechanical means shall be provided to supply and exhaust at least 4ft<sup>3</sup>/min/1000Btuh (0.38m<sup>3</sup>/min/kW) input of installed heaters. Some local codes may require an electrical interlock to a dedicated exhaust fan. Exhaust must be located as high as practicable in the structure above the level of the heater(s). Consult your local code and ANSI Z223.1 latest edition for all venting requirements and practices.

**Canada:** It is required that the heater(s) be electrically interlocked to dedicated exhaust fan(s) by means of an Air Proving Switch. Exhaust fan(s) must be sized to create 300 cfm (8.5 cu m/min) exhaust for every 100,000 Btuh (30 kW) or any fraction thereof of total input of installed equipment. Exhaust must be located as high as practicable in the structure above the level of the heater(s). Sufficient supply air must be provided. Consult the latest edition of CSA.B149.1 Section 8 for venting system and air supply requirements.

### VENTED TO THE OUTSIDE - GENERAL REQUIREMENTS

It is the responsibility of the installer to adhere to these instructions and all current local codes and/or ANSI Z223.1 (NFPA 54) or CSA.B149.1 latest editions for all venting requirements, and practices. All vent pipe will be certified to meet Category I (vertical vent) or Category III (horizontal vent) appliance requirements, depending on the vent configuration of a particular installation.

It is a normal condition that during heat-up and cool-down a tube heater will expand and contract. Allowances for heater expansion must be made in the venting and combustion air ducting. Improper installation can result in property damage, injury or death.

- When vented: The system must not be operated in a negative air condition unless combustion air is ducted from outside to the burner. If negative pressure is experienced or anticipated, the open port (barb) on each of the blocked flue and proving air switches must be Tee'd together and connected directly to outside air using a field supplied 1/4" plastic hose from the tee between the switches to outside of building.

All approved vent pipe, connectors, and adapters are supplied locally by others according to

appliance Category, and specifications below.

- All venting must meet requirements of Local Codes or, in the absence of local codes, with the *National Fuel Gas Code*, ANSI Z223.1/NFPA 54; or the *Natural Gas and Propane Installation Code* CSA B149.1.
- A vent connector shall comply with local codes and be firmly attached to the flue collar by 3 x 1/2" sheet metal screws. Seal penetrations and connections with high temperature RTV silicone sealant.
- Install a minimum 12" [305 mm] straight vent connector before any Tee or 90° Elbow.
- The connection of vent components must be secured as specified in the installation instructions by the vent manufacturer.
- For vertical vent, any horizontal vent section will slope upwards away from the heater not less than 1/4 inch rise per foot of run.
- For horizontal vent, slope downward away from heater a maximum of 1/4 inch down per foot of run.
- When the vent pipe passes through a cold or unheated area where the ambient temperature is likely to produce condensation of the flue gases, the vent pipe will be insulated with a suitable material as certified and specified by the insulation manufacturer to withstand temperature up to 460°F (238°C).
- The vent system must **always** be adequately supported to prevent sagging.
- The vent configuration will allow for expansion and contraction in length of the tube heater.
- As an Option for vertical vent, two heaters may be vented through an approved common 4" x 4" x 6" Vent Tee (10 x 10 x 15 cm), supplied by the manufacturer, or by using approved components as indicated in local codes. Vent pipe from each heater is not required to be equidistant to the vent Tee, but must comply with local code requirements. A common thermostat or "ON/OFF" switch must control commonly vented heaters. **Common vent is not allowed for Category III horizontal vent application.**

### Vent Length

- Maximum allowable flue vent length is equivalent to **20 feet [6.1 m]** for either Horizontal or Vertical vent.
- A maximum of two 90° elbows can be installed in a vertical vent.
- Each 90° elbow in the vent is equivalent to 5 ft [1.5 m].

### COMMON VENTING

For vertical vent only, two heaters can be commonly vented using 4"x 6"x 4" Vent Tee JA- 0514-XX. Both heaters must be operated using one common thermostat. Common vent is 6 inch [150 mm] diameter.

Category III (horizontal vent) heaters cannot be common vented.

## HEATER EXPANSION AND VENT CONFIGURATION

A radiant tube heater will expand and contract as it heats and cools. Configuration of the vent must allow for heater expansion.

**VERTICAL VENT:** Orientation of the vent at 90° to heater will allow for heater expansion and contraction.

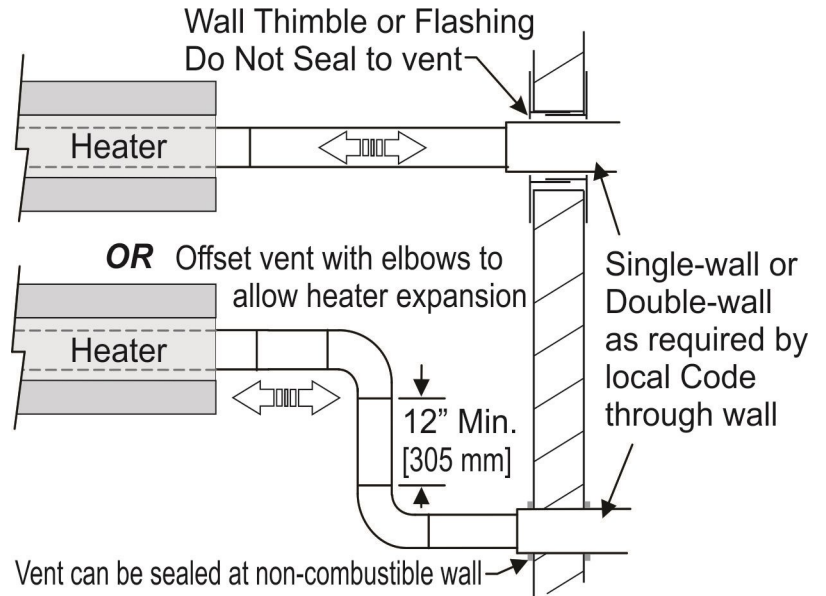
**HORIZONTAL VENT:** (See FIG. 9)

- Wall Thimble or flashing at wall that allows movement of the vent through the opening. Do not seal the vent to the thimble or flashing with caulking.

OR

- Offset vent with two x 90° elbows. Install minimum 12 inch [305 mm] length of straight vent between elbows. Vent can be sealed with caulking at non-combustible wall.
- Other means of slip fit installation of the vent are acceptable providing there is adequate allowance for free expansion and contraction of the system, and free flow of vent gases.

**FIGURE 9: ALLOW FOR HEATER EXPANSION - HORIZONTAL VENT - TOP VIEW**

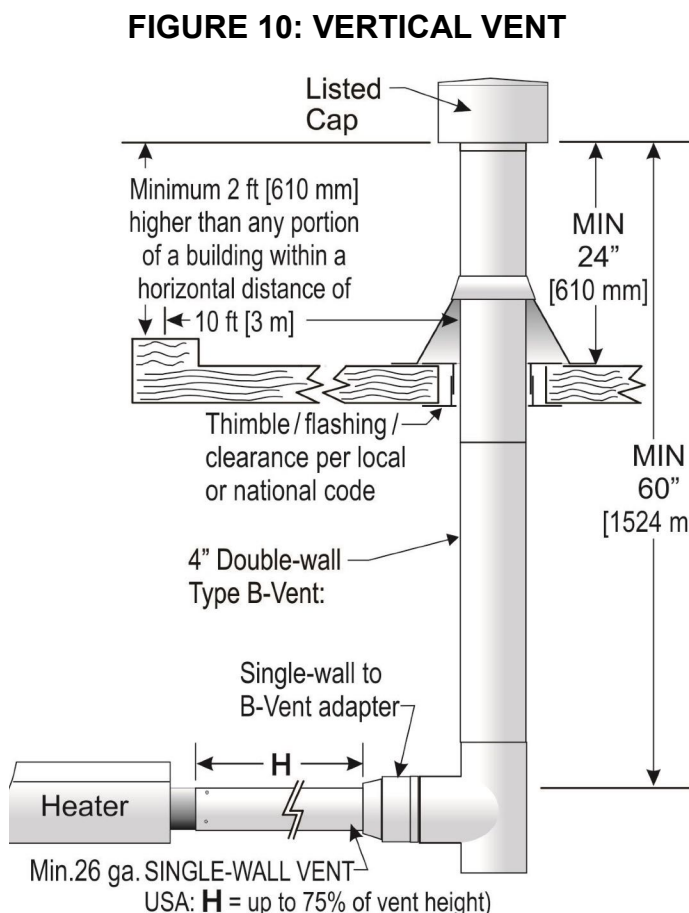


## VERTICAL VENT THROUGH THE ROOF (CATEGORY I):

It is the sole responsibility of the installer to adhere to all current local codes and/or ANSI Z223.1 / CSA.B149.1 latest editions for all venting requirements, and practices. Also adhere to instructions below, and the instructions of the vent manufacturer. Use vent materials certified for Category I.

All models of this series heater are certified Category I for vertical venting. See FIG. 10.

- The vertical Type B-vent must extend at least 5 feet [1524 mm] above the flue collar of the highest connected heater.
- USA: Horizontal run of single wall vent or vent connector ("H" in FIG. 10) must not exceed 75% of the vertical height of the vent. If it does, then the vent system must be for Category III.
- Single wall vent connector material must be corrosion-resistant galvanized steel with a minimum thickness specified in local code.
- A vent connector must be secured to the flue collar using quantity 3 x #8 x 1/2" sheet metal screws. Seal penetrations and connections with high temperature RTV silicone sealant.
- A horizontal vent connector shall be installed and supported without any dips or sags and shall slope upward toward the vent or chimney at least 1/4 in./ft (20 mm/m).
- Use a certified termination cap as supplied by the manufacturer of the vent.
- When vent and combustion air are taken through the roof, the exhaust vent should always terminate higher than the combustion air intake, to prevent recycling the products of combustion back into the heater.
- The vent must extend at least 2 feet [610 mm] above the highest point where it passes through a roof. The vent must also extend at least two feet higher than any portion of a building within a horizontal distance of 10 feet [3 m].
- Keep vent connector runs as short as possible with a minimum number of elbows. Refer to the current edition of ANSI Z223.1 (NFPA 54) or CSA-B149 installation codes for maximum length of horizontal vent and vent connector.
- Total length of the vent connector and vent pipe cannot exceed 20 feet.
- A single-wall vent connector shall not be insulated.
- For single-wall vent clearance to combustibles is 6" [152mm] except where a listed clearance thimble is used. Clearance to combustible material for Type B-Vent or factory-built vent per the vent manufacturer's instructions.
- When an existing Category I heater is removed or replaced, the original venting system may no longer be sized to properly vent the attached appliances. Improperly sized venting systems can result in vent gas leakage or condensation.



### **HORIZONTAL VENT THROUGH THE SIDEWALL (CATEGORY III):**

All vent must be installed in accordance with local codes or, in the absence of local codes, with the *National Fuel Gas Code* in the USA, ANSI Z223.1/NFPA 54; or the *Natural Gas and Propane Installation Code* CSA B149.1 in Canada.

When installed with a horizontal vent through a sidewall, this heater is a Category III appliance, and the vent system must be approved for Category III application in accordance with UL-1738 or ULC-S636. Do not use PVC or plastic vent pipe.

- Use either a certified Category III venting system, or single wall vent pipe with all of the joints and seams sealed with a heat-resistant pliable sealant.
- The vent system must be installed in accordance with these instructions, and the instructions of the vent manufacturer.
- A single wall vent system may use a single continuous 36 inch section of double wall vent pipe to pass through an exterior wall:
  - Single wall galvanized vent pipe (C-Vent): Minimum 26 ga.
  - Single Wall to Double Wall Adapter: Duravent 4PVP-AD Adapter or equivalent.
  - 36 Inch Double wall vent through outside wall: Duravent PelletVent Pro (PVP) or equivalent:
- Single-wall vent: Seal all joints and seams in the pipe, and the adapter with high temperature Red RTV sealant for temperatures up to 600°F [315°C]. The sealant must remain pliable when in use. Follow the instructions of the vent manufacturer for sealing vent pipe connections.
- All vent sections and vent connector must be secured using quantity 3 x #8 x 1/2" sheet metal screws. Seal penetrations and connections with high temperature RTV silicone sealant.
- Any horizontal portion of the flue vent system must slope downwards away from the heater a minimum of 1/4" per foot run [63 mm/ 300 mm] toward the vent terminal.
- Horizontally vented Category III heaters must be individually vented and cannot use a common vent.
- Use approved 4" [102 mm] (JA-0528-XX) horizontal wall vent terminal or an approved high-wind termination cap.
- Installation of the vent must prevent blockage by snow and protect building materials from degradation by flue gases.
- Install termination cap a minimum of 18 inches (45 cm) from the outside wall to the inside edge of terminal opening to alleviate back pressure caused by turbulent wind conditions (See Fig. 8). This also ensures flue gases are directed away from the structure to protect building materials from degradation by the exhausted flue gases.
- At most two 90° elbows can be installed in a horizontal vent.
- All seams and joints must be checked for gas tightness after installation. With the heater in operation, conduct a leak test on all vent connections, joints, and seams using a soap solution.
- A horizontal flue vent will not terminate less than 1 ft [30 cm] above grade level, unless its location is adjacent to a public walkway, then it must not terminate less than 7 ft [2.1m] above the walkway.
- Clearance above vent terminal under a combustible overhang or soffit:
  - As indicated in FIG. 11 for approved terminations: 4" [100 mm] JA-0528-XX.
  - For other approved terminations: Will terminate 3 ft [915 mm] or more below a combustible soffit or overhang.
- A horizontal vent termination must be a minimum of 6 feet [1830 mm] from an inside corner formed by two exterior walls.
- All vent pipe, adapters, thimbles, supplied locally by others.

Specific requirements for horizontal vent in the USA and Canada are on the next page.

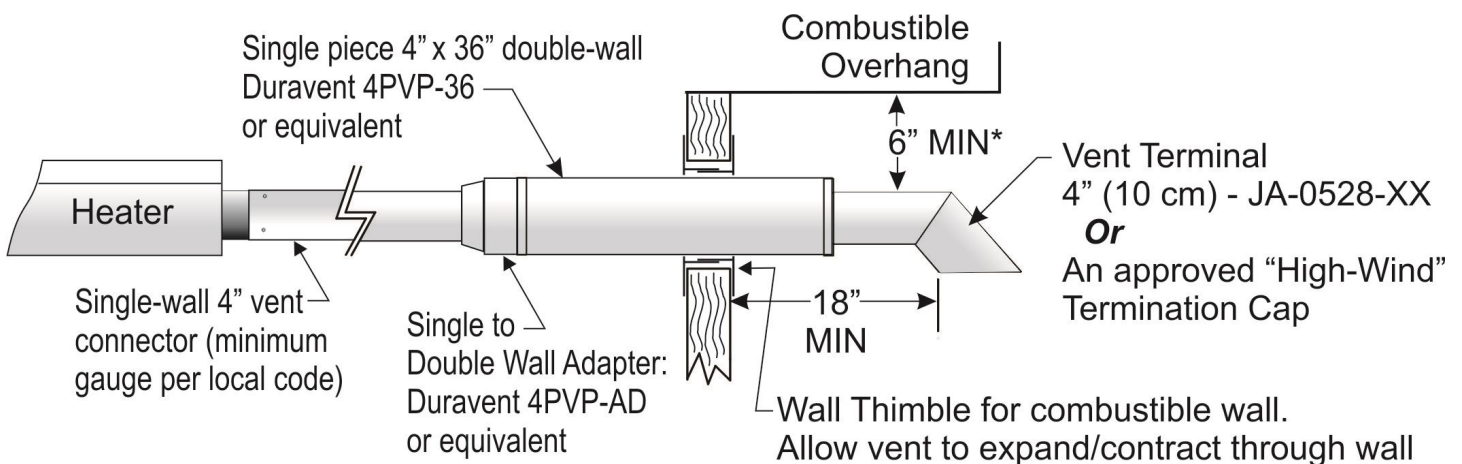
**USA specific horizontal vent requirements:**

- The vent terminal of an appliance with an input up to 50,000 Btu/hr (14.7kW) shall be installed with a 9 inch [230mm] vent termination clearance from any air opening into a building, and an appliance with an input over 50,000 Btu/hr (14.7kW) shall have at least a 12 inch [305 mm] vent termination clearance. The bottom of the vent terminal and the air intake shall be located at least 12 inches [305 mm] above grade.
- A horizontal vent will not terminate:
  - Less than 3 ft [915 mm] above a mechanical air inlet located within 10 ft [3 m].
  - Less than 4 ft [1219 mm] below, 4 ft [1219 mm] horizontally from, and 1 ft [102 mm] above any window or door that opens, or gravity air inlet to a building.
  - Less than 4 ft [1219 mm] horizontal clearance from gas and electric meters, regulators and relief equipment.

**CANADA specific horizontal vent requirements:**

- A horizontal vent will not terminate:
  - Within 6 ft [1830 mm] of a mechanical air supply inlet to any building.
  - Above a gas utility meter and regulator assembly within 3 ft [915 mm] horizontally of the vertical centerline of the regulator vent outlet to a maximum vertical distance of 15 ft [4.5 m].
  - Within 3 ft [915 mm] of any gas pressure regulator vent outlet.
  - Within the following distances of a window or door that can be opened in any building, of any non-mechanical air-supply inlet to any building, or of the combustion air inlet of any other appliance:
    - 12 inches [305 mm] for inputs up to and including 100,000 Btuh (30 kW).
    - 3 ft [915 mm] for inputs exceeding 100,000 Btuh (30 kW).

**FIGURE 11: HORIZONTAL VENT THROUGH WALL**



\* 6" Clearance above optional Vent Terminal JA-0528-XX - 4" (10 cm). Use of alternate High-Wind terminal may require higher clearance. Refer to Vent Cap manufacturer's instructions.

## 10. COMBUSTION AIR DUCTING

Whenever possible, locate the air intake and vent terminals in a common pressure area. For example on a common wall, or commonly through the roof. Depending upon wind conditions, terminations located in uncommon pressure areas can create intermittent operation problems.

Combustion Air Duct can be 4", or 5" diameter (reduce to 4" only at connection to blower collar).

**4" Dia. Air Duct: Maximum combined total length of flue vent plus combustion air duct equivalent to 35 feet**, and neither the 4" diameter vent or duct component can exceed 20 feet.

**5" Dia. Air Duct: Maximum combined total length of flue vent plus combustion air duct equivalent to 50 feet.** The 4" diameter vent cannot exceed 20 feet; the 5" diameter air duct cannot exceed 35 feet.

- Total vent and duct length is reduced by five feet for every 90° elbow installed in the vent and/or duct system
- Exceeding the allowable lengths noted above may cause unreliable operation, create condensation or soot conditions, and will void CSA Certification and the heater warranty.

An opening is located on the top surface of the burner housing for combustion air. Ensure adequate clearance around this opening to allow sufficient combustion air supply to the heater. Combustion air duct must be constructed of noncombustible material.

When a tube heater is operated in a negative air condition, or air-borne dust or contaminants are present as in woodworking and welding shops, air for combustion must be ducted from outside the negative or contaminated area to the 4 inch (10 cm) diameter intake collar supplied on the blower. See notes above for maximum combined equivalent vent and duct length.

The air intake will not be located less than:

- Three feet above grade
- Twelve inches from flue vent terminal of any heater with input up to 100,000 Btu/hr
- Three feet from flue vent terminal of any heater over 100,000 Btu/hr

**Do not install filters on the combustion air intake. Ensure adequate clearance around the air intake to allow sufficient combustion air supply to the heater.**

Optional 4 inch intake terminals are available for this heater:

- Part number: JS-0532-VC Wall mount, bird-screened fresh air intake duct hood
- Part number: JS-0530-XX Roof cap

Ensure adequate clearance around the air intake to allow sufficient combustion air supply to the heater. If drawing fresh air from outside, it is recommended that any single wall pipe containing cold air be insulated to prevent or reduce condensation on the pipe.

**Do not use flexible dryer hose** or any 'soft wall' tubing for air inlet duct, the soft corrugated sides of this tubing restrict air flow. A good quality industry approved insulated flex is allowed.

### **CAUTION:**



In locations where chlorinated Hydrocarbons are in use, such as Trichloroethylene or Chloroethylene Nu it is essential that combustion air be brought in from a non-contaminated area. Burning the fumes from these gases will create Hydrochloric acid fumes, which are detrimental to humans, equipment and buildings. Typical sources of other contaminants are paint removers, paints, refrigerants, solvents, adhesives, degreasers, lubricants, pesticides, etc.

*continued ...*



The heater manufacturer cannot anticipate all chemical compositions and types of potential contaminants at project sites. Confer with project site safety, health and engineering staff and/or local authorities having jurisdiction such as the Fire Marshall and Department of Labor for possible contaminants and any conflict with the installation of hot surface heating equipment.

## 11. GAS SUPPLY - GAS CONNECTION - HEATER EXPANSION



**CAUTION:** Compensation for expansion of gas supply pipe and radiant tube heater must be provided. All piping must conform to local and national codes.

**This heater will expand up to 1 inch (2.5 cm) in length during operation.** To allow for heater expansion the gas supply must be connected using the flexible gas connector that is supplied with this model heater:

- **In the USA:** a 1/2" x 24" stainless steel Flexible Gas Connector certified for use on an infrared radiant tube heater (ANSI Z21.24 CSA 6.10);
- **in CANADA:** a 1/2" x 36" (±6") Type 1 Gas Hose Connector (CAN/CGA 8.1).



**IMPORTANT:** See page 23-24: Orientation of gas connector from gas supply.



*TEST FOR LEAKS: All gas piping and connections must be tested for leaks after the installation is completed.*

Apply soap suds solution to all connections and joints and if bubbles appear, leaks have been detected and must be corrected.



**DO NOT USE A MATCH OR OPEN FLAME OF ANY KIND TO TEST FOR LEAKS. NEVER OPERATE THE HEATER WITH LEAKING CONNECTIONS.**

Provide a 1/8 in (3.2 mm) NPT plugged tapping, accessible for test gauge connection, immediately upstream of the gas supply connection to the heater.

The supply system should be checked first with heater turned "OFF" followed by another check with heater turned "ON".



**DO NOT** use pressure greater than 1/2 psig to pressure check the heater. During any pressure testing of the gas piping system each heater must be isolated from the piping system by closing its individual manual shut off valve (field supplied).

**IMPORTANT:** Minimum supply line pressure at the inlet to the heater regulator must not be lower than 5.0 inches of water column pressure for natural gas. The supply gas pressure must be checked with all heaters in operation.

Installation of a gas line (trap) "drip leg" is required at the inlet connection tee following the pipe drop to the heater. Failure to provide a "drip leg" could result in condensation and foreign matter passing into the gas valve. Failure to install a "drip leg" in the gas line can cause property damage, injury or death and will void the heater warranty.



<b>TABLE 4</b> <b>GAS TYPE</b>	<b>LINE PRESSURE</b> <b>INCHES WATER COLUMN</b>		<b>MANIFOLD PRESSURE</b> <b>(tap at gas valve outlet)</b> <b>INCHES WATER COLUMN</b>
	<b>MINIMUM</b>	<b>MAXIMUM</b>	
<b>Natural Gas</b>	<b>5.0</b>	<b>14.0</b>	<b>3.5</b>
<b>Propane</b>	<b>11.0</b>	<b>14.0</b>	<b>10.0</b>

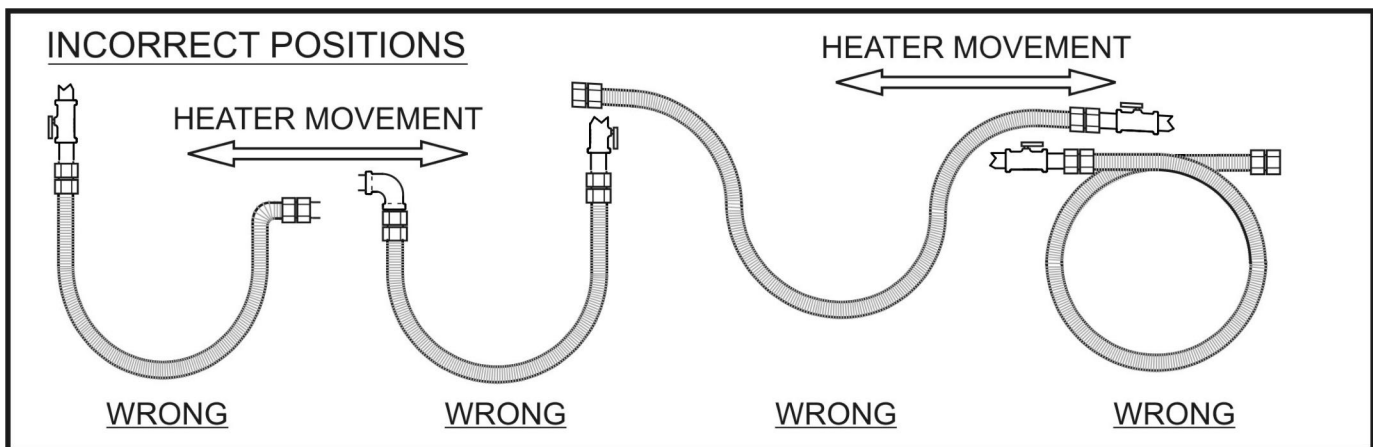
**NOTE:** Access to the manifold pressure test port is located on the top of the valve. A 3/16" Allen Key is required. A **manometer** should be used to check the manifold pressure. Gauges which measure in ounces or PSI are not accurate enough to measure or set the pressure.

### **ORIENTATION OF FLEXIBLE GAS CONNECTOR**

The flexible gas connector **MUST** be installed in the orientation shown below as required by national installation codes and by the certification standard of this heater. This orientation protects the flexible gas connector from damage due to movement during heater expansion.

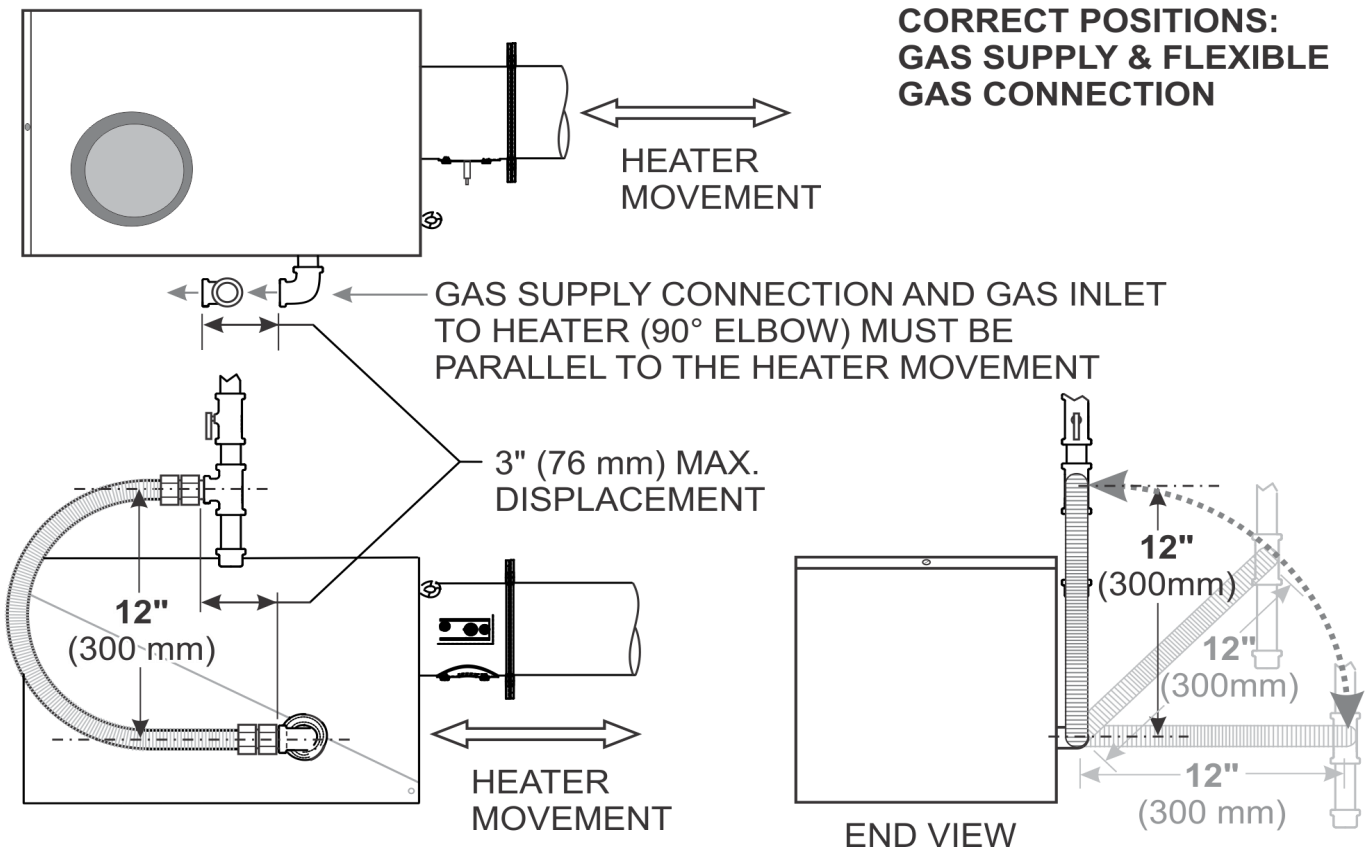
It is the responsibility of the installer to ensure correct installation of the flexible gas connector.

**FIGURE 12**



**SEE CORRECT ORIENTATION OF FLEXIBLE GAS CONNECTOR NEXT PAGE**

## Orientation of Flexible Gas Connector (continued)



## 12. GAS CONVERSION



**WARNING: Gas conversion must only be performed by a trained gas service technician.**

**Do not convert heater to alternate gas without using one of the kits listed below. Property damage, injury or death could result.**

Standard production of this model heater is for use with natural gas. Field conversion between Natural Gas and Propane Gas can be accomplished using field conversion kits available from your local Schwank or InfraSave supplier:

- Part number: JS-0555-XA P40U\* - Natural Gas to Propane Gas Conversion Kit
- Part number: JS-0555-XB P40U\* - Propane Gas to Natural Gas Conversion Kit

\* All models: Schwank P40U, P40U-P, P40U-W; InfraSave P40U-I, P40U-IP, P40U-IW

### 13. ELECTRICAL AND THERMOSTAT WIRING (WIRING DIAGRAMS PAGE 26 & 27)



#### **NOTICE**

The heater must be electrically grounded in accordance with the National Electrical Code. ANSI / NFPA 70 or current Canadian Electrical code CSA C22.1. Maximum power flow for internal 24V burner components is 21VA. Appliance and control wiring must be in accordance with all applicable local codes. The total load of all heaters must be considered in determining the required contact rating of the controlling thermostat or switch. Each tube heater requires 120V, 60 HZ electrical power sized for 145VA. Maximum power flow for internal 24V burner components is 21VA.

The ignition control includes a 24V/120V relay switch that provides a 45 second post-purge of the system. **A 24V Thermostat, TruTemp Thermostat, or 24V controller signal must be used for the post-purge feature to function.** A line voltage Thermostat or an "ON/OFF" switch will disable the post-purge feature.

A maximum night set-back of 9°F (5°C) is recommended for optimum economy and comfort. To maintain satisfactory comfort levels do not turn off the heating system over night/weekends.

### 14. HIGH ALTITUDE INSTALLATIONS - *also refer to chart in Section 28*

When installed above 2,000 ft altitude in the USA , the input must be de-rated by 4% for each 1000 ft . **If your local utility supplies gas with a de-rated heat content, no orifice change is required in the heater** . If the gas supply is not de-rated, the orifice must be changed according to the chart in Section 28. Check with your local utility regarding the gas supply and the de-rating of this appliance. Maintain gas supply pressures indicated in Table 4, page 33.

**USA:** The factory installed orifice for this appliance is approved for altitudes zero to 2000 feet above sea level. When installed above 2000 feet, **refer to Section 28.**

**Canada:** The factory installed orifice for this appliance is approved for altitudes zero to 4500 feet above sea level. When installed above 4500 feet, **refer to Section 28.**

### 15. LIGHTING INSTRUCTIONS

Refer to the lighting instructions label on the outside of the burner housing. If the ignition control locks out on 'safety', main power to the unit must be manually interrupted for a 30 second reset period before the heater can be restarted.

**NOTE:** *On initial installation, the unit may lock out on safety owing to the length of time required to bleed air from the gas piping system.*

### 16. RECOMMENDED MAINTENANCE

Improper adjustment, alteration, service or maintenance can cause property damage, injury or death. This heater must be installed and serviced only by a trained gas service technician.

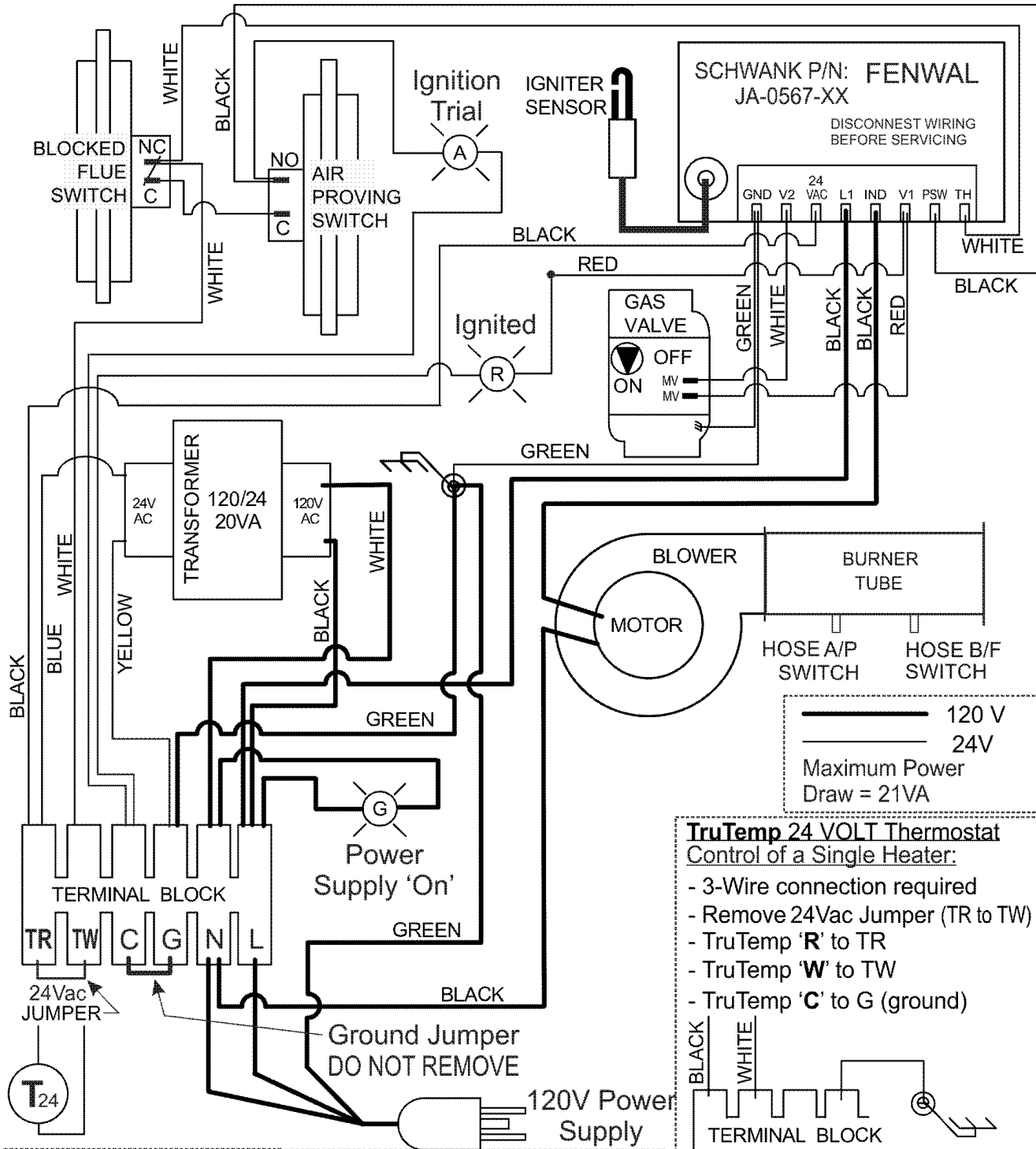


1. Inspect the entire heater system, venting, and gas supply connections at least annually prior to the heating season. Replace worn parts and repair deficiencies.
2. Check the inlet air opening and the blower periodically, cleaning off any lint or foreign matter. It is important that the flow of combustion and ventilation air must not be obstructed.
3. Lubricate Blower motor, by adding several drops of oil to oil ports located on the left hand side of the blower motor.

THE TUBE HEATER BURNER IS COMPLETELY FACTORY ASSEMBLED AND TESTED. ANY ALTERATION VOIDS THE CSA CERTIFICATION AND MANUFACTURER'S WARRANTY. FOR ADDITIONAL INFORMATION, CONTACT YOUR LOCAL DISTRIBUTOR OR THE MANUFACTURER.

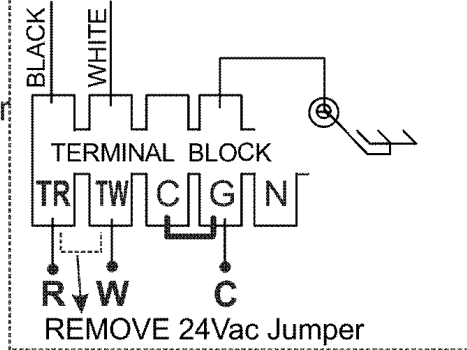
**17. FENWAL DSI: WIRING DIAGRAM: 24V OR 120 VOLT THERMOSTAT OPERATION  
SINGLE HEATER PER THERMOSTAT** (Multiple Heaters per Thermostat—next page)

**NOTE:** Models produced with FENWAL DSI have model designation: P40U-F & P40U-IF



**TruTemp 24 VOLT Thermostat**  
Control of a Single Heater:

- 3-Wire connection required
- Remove 24Vac Jumper (TR to TW)
- TruTemp 'R' to TR
- TruTemp 'W' to TW
- TruTemp 'C' to G (ground)



**For 24 VOLT THERMOSTAT:**

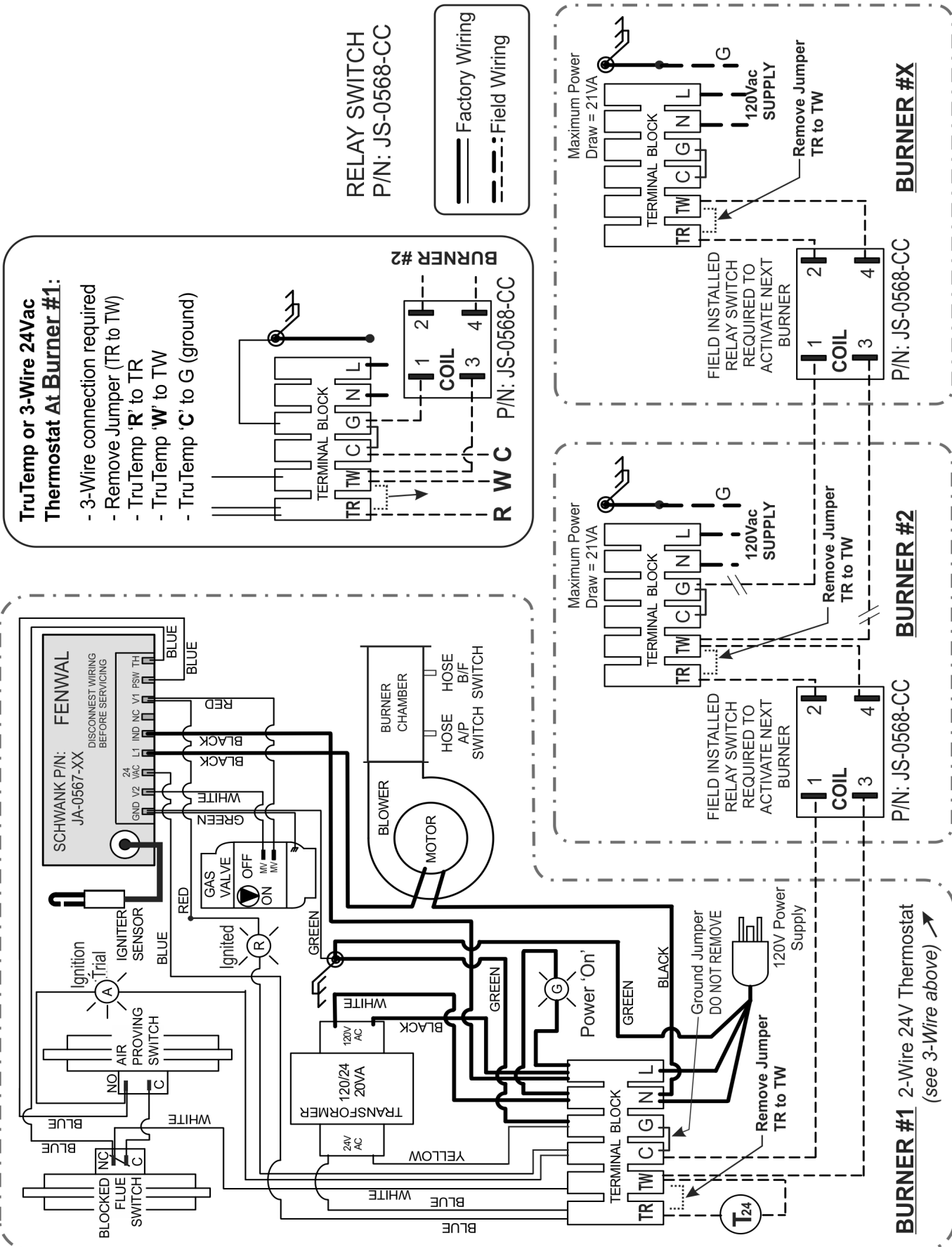
- REMOVE 24Vac Jumper
- Thermostat to TR & TW

**LINE VOLTAGE THERMOSTAT**

- Leave 24Vac Jumper in place.
- Install Line Voltage Thermostat in series with 120Vac power supply.

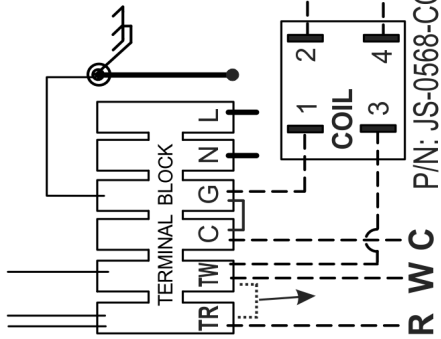
**OTHER DSI's: MODELS P40U-P,-W - MICRO 50N - PAGE 31; HONEYWELL S87J - PAGES 59 - 61**

# 18. MULTIPLE TUBE HEATERS per THERMOSTAT (ALL DSI TYPES)

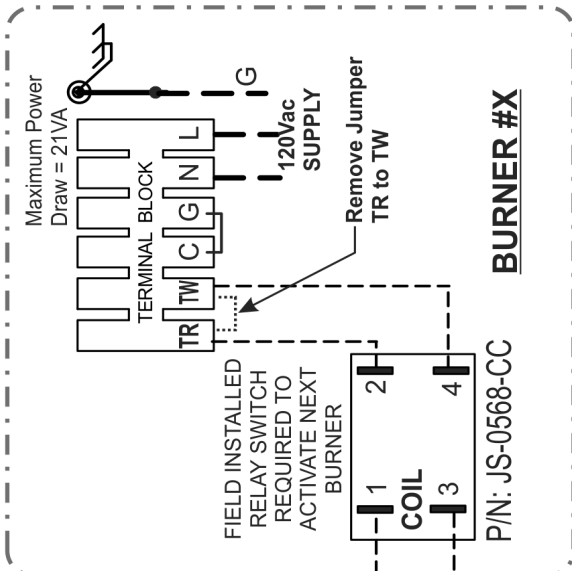


## TruTemp or 3-Wire 24Vac Thermostat At Burner #1:

- 3-Wire connection required
- Remove Jumper (TR to TW)
- TruTemp 'R' to TR
- TruTemp 'W' to TW
- TruTemp 'C' to G (ground)

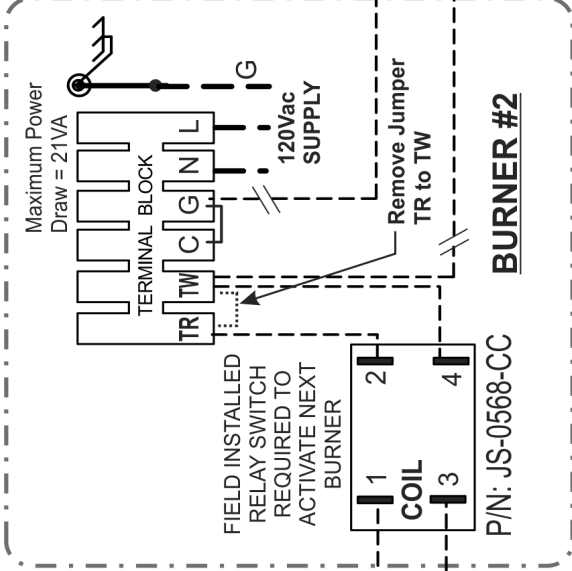


RELAY SWITCH  
P/N: JS-0568-CC



BURNER #X

P/N: JS-0568-CC



BURNER #2

P/N: JS-0568-CC

BURNER #1 2-Wire 24V Thermostat  
(see 3-Wire above) →

## **19. FENWAL DSI: SEQUENCE OF OPERATION / FLAME RECOVERY / SAFETY LOCKOUT**

### **Power Up / Stand By**

Upon applying 24 volts power to 24VAC, the control will reset, perform a self check routine, initiate full time flame sensing, flash the diagnostic LED for up to four seconds, and enter the thermostat scan state.

### **Heat Mode**

When a call for heat is received from the thermostat supplying 24 volts to TH, the control checks the pressure switch for normally open contacts. The combustion blower is then energized and once the pressure switch contacts close, a 30 second purge delay begins. Following the purge period the gas valve is energized and spark commences for the 15 second trial for ignition.

When flame is detected during the trial for ignition, spark is shutoff immediately and the gas valve combustion blower remains energized. The thermostat, pressure switch, and main burner flame are constantly monitored to assure the system continues to operate properly. When the thermostat is satisfied and the demand for heat ends, the main valve is de-energized immediately, the control senses the loss of flame signal and initiates a 30 second post-purge period before de-energizing the combustion blower.

### **Failure to Light - Lockout (THREE TRIAL MODEL)**

This three-try control will attempt two additional ignition trials with a 30 second inter-purge between trials, before going into 'soft' lockout. The valve relay will be de-energized immediately, and the combustion blower will be turned off following the 30 second post purge period.

If the thermostat continues to call for heat after one hour the control will automatically reset and attempt to ignite the burner again (three trials).

At any time less than the 1 hour auto-reset, recovery from lockout requires a manual reset by either resetting the thermostat or removing 24 volts for a period of 5 seconds.

### **Flame Failure - Re-Ignition**

If the established flame signal is lost while the burner is operating, the control will respond within 0.8 seconds. The HV spark will be energized for a trial ignition period in an attempt to relight the burner. If the burner does not light the control will de-energize the gas valve. Two more attempts will be made to relight the burner. If the burner does not relight the control will go into 'soft' lockout as noted above in "Failure to Light". If flame is re-established, normal operation resumes.

### **Combustion Airflow Problems -Lockout**

Combustion air flow is continually monitored during an ignition sequence by the air flow switch (PSW). If during the initial call for heat the pressure contacts are in the closed position for 30 seconds without an output to the Combustion Blower, an air flow fault will be declared and the control will remain in this mode with the combustion blower off.

If the air flow switch remains open for more than 30 seconds after the combustion blower output (L1 & IND) is energized, an air flow fault will be declared and the control will stay in this mode with the combustion blower on, waiting for the air flow switch to close.

When proper air flow is detected from the air flow switch input (PSW) the control begins the pre-purge period followed with a 15 second ignition sequence.

If the air flow signal is lost while the burner is firing, the control will immediately de-energize the gas valve and the combustion blower will remain on. If the call for heat remains, the control will wait for proper air flow to return. If proper air flow is not detected after 30 seconds an air flow fault signal will be declared. If proper air flow is detected at any time, a normal sequence will begin with the pre-purge period.

## Flame Fault

If at any time the main valve fails to close completely and maintains a flame, the full time flame sense circuit will detect it and energize the combustion blower. Should the main valve later close completely removing the flame signal, the combustion blower will power off following the optional post purge period.

## Fault Conditions

The LED will flash on for 1/4 second, then off for 1/4 second during a fault condition. The pause between fault codes is 3 seconds.

Error Mode	LED Indication
Internal Control Failure	Steady on
Air Flow Fault	1 flash
Flame with No Call for heat	2 flashes
Ignition Lockout	3 flashes

## MOUNTING AND WIRING

The Series 35-61 is not position sensitive and can be mounted vertically or horizontally. The case may be mounted on any surface with #6 sheet metal screws. All wiring must be done in accordance with local and national electrical code. Refer to wire diagram page 35 when connecting the Series 35-61 to other components in the burner.



## WARNING

The Series 35-61 DSI Control uses voltages of shock hazard potential. Wiring and initial operation must be done by a qualified service technician. The control must be secured in an area that will experience a minimum of vibration and remain below the operating temperature of 160°F. All connections should be made with UL approved 105°C rated 18 gauge, stranded, .054 thick insulated wire. Refer to wire diagram page 35 when connecting the Series 35-61 to other components in the burner.

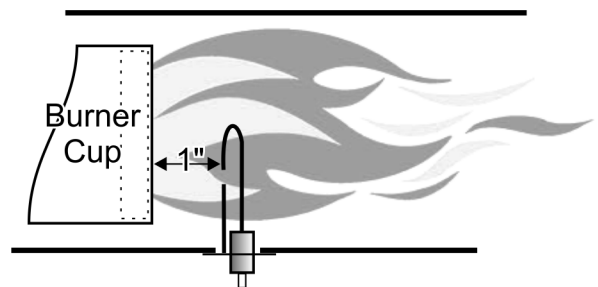
TERMINAL	SPADE	DESIGNATION
TH	1/4"	Thermostat Input
PSW	1/4"	Pressure Switch Input
V1	1/8"	Valve Power (MV)
IND	1/4"	Inducer Blower Output
NC	-	Alarm (Not used)
L1	1/4"	120/240 VAC Input (Hot)
24 VAC	1/4"	24 VAC Supply to Processor
V2	1/8"	Valve (MV)
GND	1/8"	Valve & System Ground
Spark	1/4"	Spark & Local Flame Sense

## CAUTION:

Label all wires prior to disconnection when servicing controls. Wiring errors can cause improper and dangerous operation. A functional checkout of a replacement control is recommended.

## PROPER ELECTRODE LOCATION

Proper location of the electrode assembly is important for optimum system performance. The electrode assembly should be located so that the spark gap is inside the flame envelope about 1 inch (2.5 cm) from the base of the flame at the burner cup.

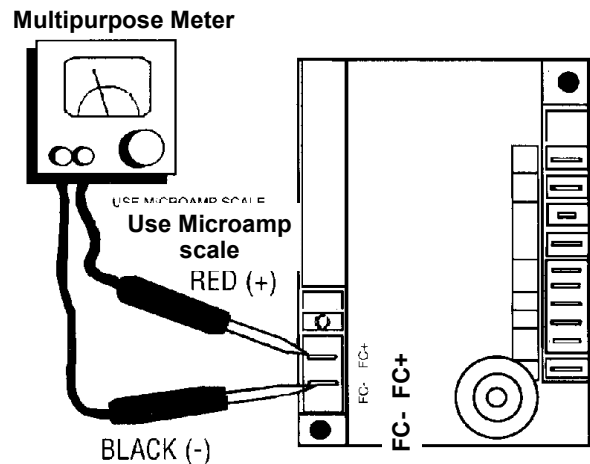


Electrodes should have a gap spacing of 3/16" (0.188" ± 0.031" or 4.76 mm ± 0.81 mm). If this spacing is not correct, the assembly must be adjusted or replaced. DO NOT adjust the curved igniter/sensor prong. Adjust/bend only the ground prong (**More Detail Page 32**).

## SERVICE CHECKS

Flame current passes through the flame from the sensor to ground. The minimum flame current necessary to keep the system from lockout is 0.7 microamps. To measure flame current, connect an analog DC microammeter to the FC- FC+ terminals per figure at right.

Meter should read 0.7  $\mu$ A or higher. If the meter reads below "0" on analog scale, meter leads are reversed. Disconnect power and reconnect meter leads for proper polarity.



## TROUBLESHOOTING - FENWAL DSI

*(also see Heater Troubleshooting Page 33)*

SYMPTOM	RECOMMENDED ACTION(S)
<b>1. Dead</b>	<ul style="list-style-type: none"> <li>A. Miswired - check electrical supply (120Vac <math>\pm</math> 5%)</li> <li>B. Transformer bad (24Vac <math>\pm</math> 10%)</li> <li>C. Fuse/Circuit breaker bad</li> <li>D. Bad control (check LED for steady on)</li> </ul>
<b>2. Thermostat on - no blower output</b>	<ul style="list-style-type: none"> <li>A. Miswired</li> <li>B. Bad thermostat no voltage @ terminal W</li> <li>C. Bad control (check LED for steady on)</li> </ul>
<b>3. Pressure switch input okay, but no Trial-for-Ignition after purge delay</b>	<ul style="list-style-type: none"> <li>A. Miswired (check PSW terminal voltage: 24Vac <math>\pm</math> 10%)</li> <li>B. Flame sense problem (existing flame: check LED - 2 flashes)</li> <li>C. Bad control (check line voltage between L1 &amp; IND)</li> </ul>
<b>4. Valve on, no spark</b>	<ul style="list-style-type: none"> <li>A. Shorted electrode</li> <li>B. Open HV cable</li> <li>C. Bad control</li> </ul>
<b>5. Spark on, no valve</b>	<ul style="list-style-type: none"> <li>A. Valve coil open</li> <li>B. Open valve wire</li> <li>C. Bad control (check 24Vac voltage between V1 &amp; V2)</li> </ul>
<b>6. Flame ok during TFI, no flame sense (after TFI)</b>	<ul style="list-style-type: none"> <li>A. Bad electrode</li> <li>B. Bad HV igniter wire</li> <li>C. Poor ground at burner</li> <li>D. Poor flame (check flame current)</li> </ul>

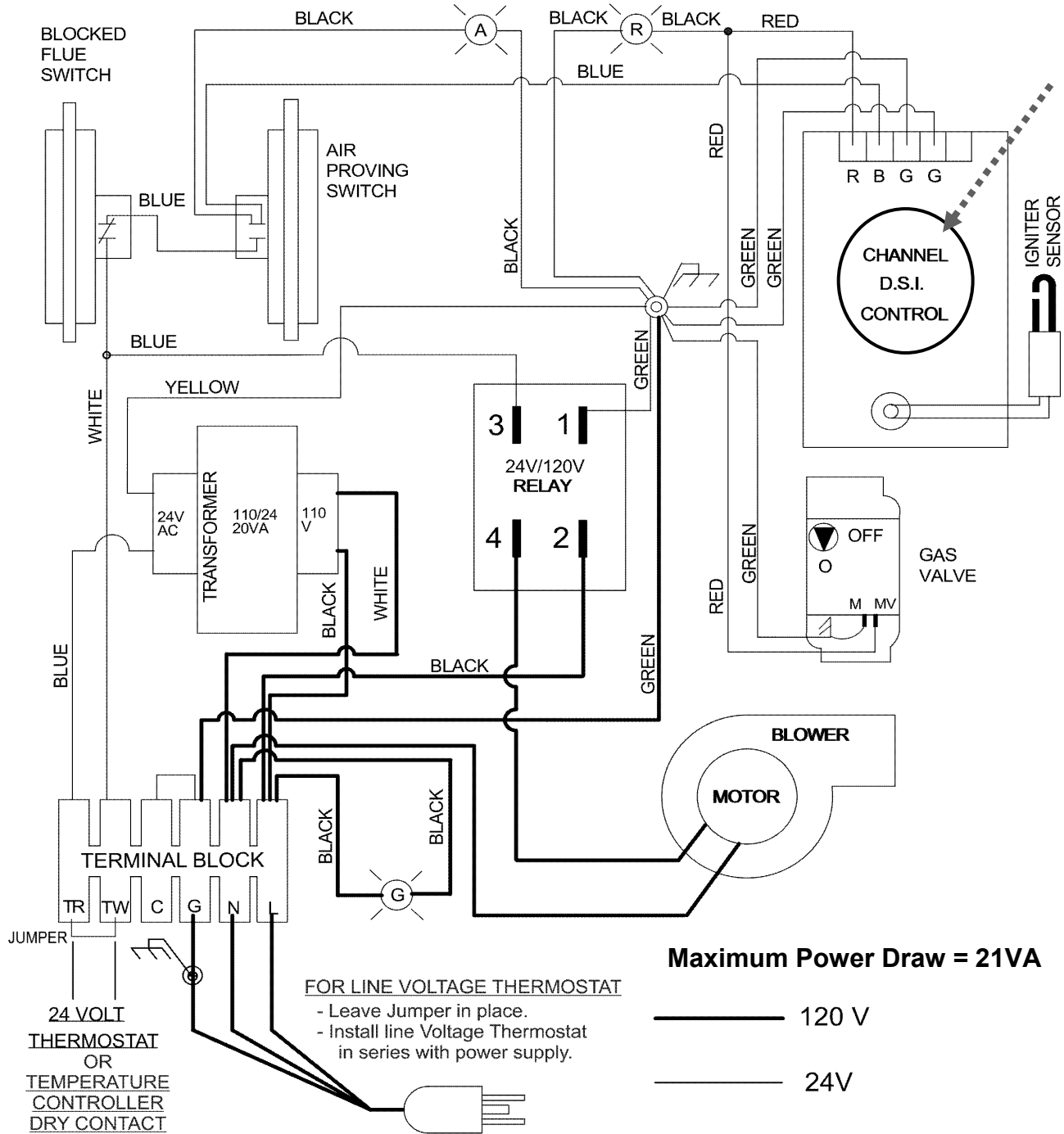


**20. OUTDOOR MODELS: P40U-P, P40U-W WIRING DIAGRAM: 24V OR 120 VOLT THERMOSTAT**

**SINGLE HEATER PER THERMOSTAT**

Models P40U, -I ... Page 25

Multiple Heaters/Thermostat ... Page 26



Each tube heater requires 120V, 60 HZ electrical power sized for 145VA. The heater includes a 24V/120V relay switch . Maximum power draw for internal 24V burner components is 21VA.

The heater must be electrically grounded in accordance with the National Electrical Code. AN-SI / NFPA 70 or current Canadian Electrical code CSA C22.1.

A maximum night set-back of 9°F (5°C) is recommended for optimum economy and comfort. To maintain satisfactory comfort levels do not turn off the heating system over night/weekends.

## 21. GASLITER 50N (DSI): SEQUENCE OF OPERATION

The Gasliter 50N is a three trial ignition control module with a 30 minute soft lockout/reset. It is powered by a 24v transformer that is activated when the thermostat calls for heat. On every call for heat the Gasliter 50N will delay start-up to provide a 30 second system pre-purge. When the Gasliter 50N is activated by a thermostat or call for heat an internal transformer provides power to the electronic generator circuit for Spark Ignition and the retrial/safety lockout timing begins. At the same time, the Gasliter 50N opens the gas control valve allowing gas to flow to the main Burner.

The Gasliter 50N Control Module performs the following basic functions:

- Provides a 30 second system pre-purge
- Supplies power to the electronic pulse-generator circuit for the Spark Igniter (30,000 volts open circuit).
- Allows up to three 20 second Trials For Ignition (TFI) before a 'soft' system safety lockout of 30 minutes occurs.
- Three time TFI and soft 30 minute lockout repeat
- Senses the Burner flame for safe lighting
- Shuts off the spark after the Burner is lit.

Burner with direct spark ignition, sequence is as follows :

- 1a. **Line Voltage Thermostat:** Upon a call for heat by the line voltage Thermostat or "ON/OFF" switch, the Blower and the 120/24 volt Transformer are powered simultaneously with 115 volts. .... *continue to 2.*
- 1b. **24 Volt Thermostat:** 120 volt supply to heater powers the 120v/24v Transformer and the 120V side of the Blower switching relay simultaneously. A call for heat by the 24 volt Thermostat energizes the 24 volt control circuit and the 24v/120 volt relay powering the Blower.
2. The 24 volt control circuit powers the DSI control in series through the normally open Air Pressure Switch (APS) and the normally closed Blocked Flue Switch (BFS).
3. The Blower creates a positive pressure and closes a normally open contact inside the Air Proving Switch (APS).
4. Provided there is no blockage in the system (tube and vent), the Blocked Flue Switch remains in a normally closed position.
5. 24 volts supplied to the DSI control initiates the 30 second pre-purge cycle.
6. After completing the 30 second pre-purge cycle the DSI control generates high voltage to the Spark Igniter, and 24 volts to energize the Gas Valve.
7. The Burner will light and establish a steady flame.
8. Once the flame sensor determines there is a steady flame established, with a minimum flame signal of 1.5  $\mu$ A the spark igniter is then de-energized.
9. In the event ignition does not occur, the DSI control will retry the ignition sequence up to an additional two trials. If ignition does not occur after the third ignition trial, the system will enter a 30 minute 'soft' lock-out. This will reset the ignition module and the operating sequence will restart at step #1 after the 30 minute lock-out period.
10. If there is a loss of flame during the run mode, the unit will energize the spark within 0.8 seconds and perform a T.F.I., without the gas valve being closed first, this is called Spark Restoration. If a flame is not established during Spark Restoration the unit will repeat the process in step number 9 (above).

## **22. IGNITION CONTROL: MODELS P40U-P, -W (-IP, -IW) - GASLITER MICRO 50N**

The MICRO 50N is a microprocessor-based DSI (Direct Spark Ignition) control which continuously monitors the burner to ensure safe operation under all conditions. The MICRO 50N DSI Control includes specified purge and trial times, multiple ignition attempts, a diagnostic alarm output, and automatic recycle on soft lockout. The polyurethane encapsulated circuit board is suitable for damp and wet environments. The MICRO 50N uses electrode flame sensing.

### **SPECIFICATIONS**

Operating Voltage:	24 VAC, 50/60Hz
Power Consumption:	200mA maximum, exclusive of valve/alarm loads
High Voltage:	15kV minimum with 50 pF load
Spark Gap:	0.150 inches +/- 0.050 inches, 3.8 mm +/- 1.2 mm
Spark Rate:	60 sparks per second
Ignition Trials:	Three (3)
Prepurge:	30 seconds
Spark Duration:	20 seconds
Inter-purge:	30 seconds
Soft Lockout / Reset:	30 minutes
Gas Valve Output:	2A maximum
Alarm Output:	2A maximum, dependent on optional alarm type
Operating Temperature:	-40°F to +185°F (-40°C to +85°C)
Environmental Protection:	Polyurethane encapsulated; 500 hour salt spray test to ASTM 117
Mating Connectors:	6 Pin: MOLEX 08-50-8063 or equivalent
Timing Specifications:	All timings are +/- 10%

### **NORMAL OPERATING SEQUENCE**

#### **Power up / Pre-purge**

When powered up, the unit performs a series of diagnostic checks to determine if the system is in working order.

#### **Trial for Ignition**

After a 30 second pre-purge, the unit will power the valve solenoid and begin a 20 second trial for ignition. The spark will be enabled for the first 80% of the trial period and then suppressed for the last 20% of the trial period to allow the unit to sense weak flame signals.

#### **Run**

When a flame is sensed, the unit suppresses the spark and keeps the valve powered. Power is removed from the unit when the thermostat is satisfied.

### **ABNORMAL CONDITION OPERATING SEQUENCE**

#### **No Flame Established - *Soft Lockout Mode (30 minutes)***

If a flame is not established during the trial for ignition, the unit will perform an inter-purge and retrial for ignition. This protocol is followed for three (3) trials. If a flame is not established during the final ignition attempt, the unit will enter the soft lockout mode, which includes a reset delay before another normal trial for ignition series begins.

*continued ....*

#### **Loss of Flame - *Spark Restoration Retrial***

If there is a loss of flame during the run mode, the unit will energize the spark within 0.8 seconds and perform a spark restoration trial for ignition. In this mode, the ignition means is restored without the gas valve being closed. If a flame is not established during the restoration trial, the unit will perform as in “*No Flame Established*” fault operation above.

**Leaking Valve - Hard Lockout Mode**

If a flame is present when the gas valve is not energized, the unit will enter the hard lockout mode.

**Internal Fault - Hard Lockout Mode**

If an internal fault is detected within the unit, the unit will enter the hard lockout mode.

**System or External Fault - Hard Lockout Mode**

If the unit detects a system fault or an external fault, the unit enters the hard lockout mode.

**23. SPARK IGNITER SET UP**

Use the following diagram to check the Igniter gap. If the gap is incorrect all adjustments should be made to the **GROUND PRONG/PIN ONLY!** **DO NOT BEND THE IGNITER PRONG!!!!**

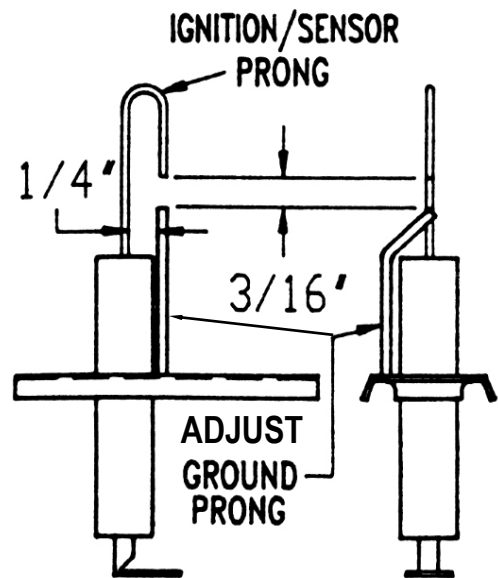
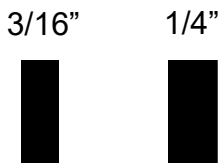
**USE THE BLACK BARS BELOW AS A GUIDE FOR ADJUSTMENT. USE THE BARS THAT COINCIDE WITH THE FORMAT & SIZE OF THIS PUBLICATION.**

IF this manual is in 8.5" x 11" "booklet" format (pages folded in half) then use these bars →



OR

IF this manual is printed 8.5" x 11" "full page" format use these bars →



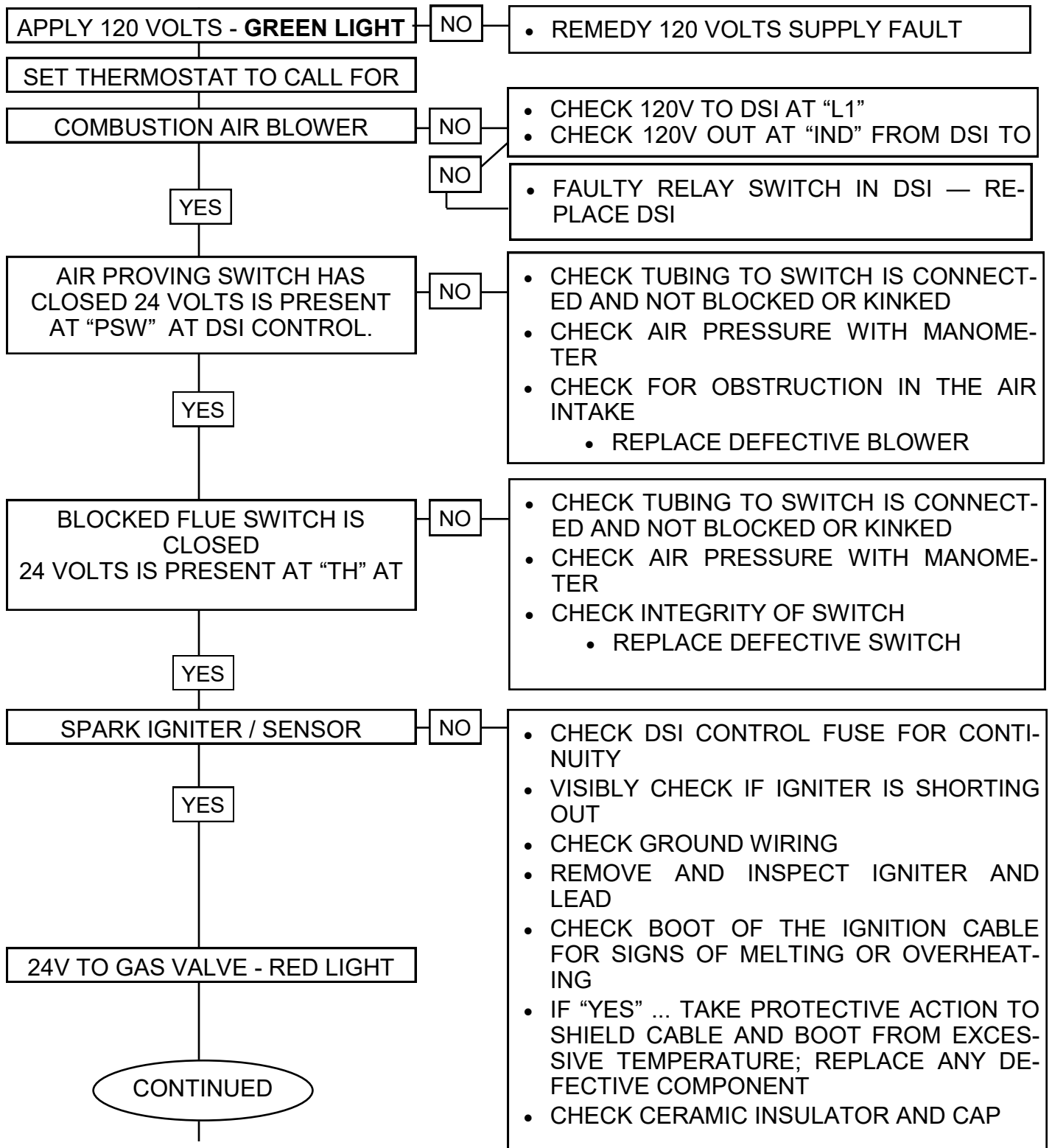
## 24. TROUBLESHOOTING GUIDE — HEATER OPERATION — FENWAL DSI

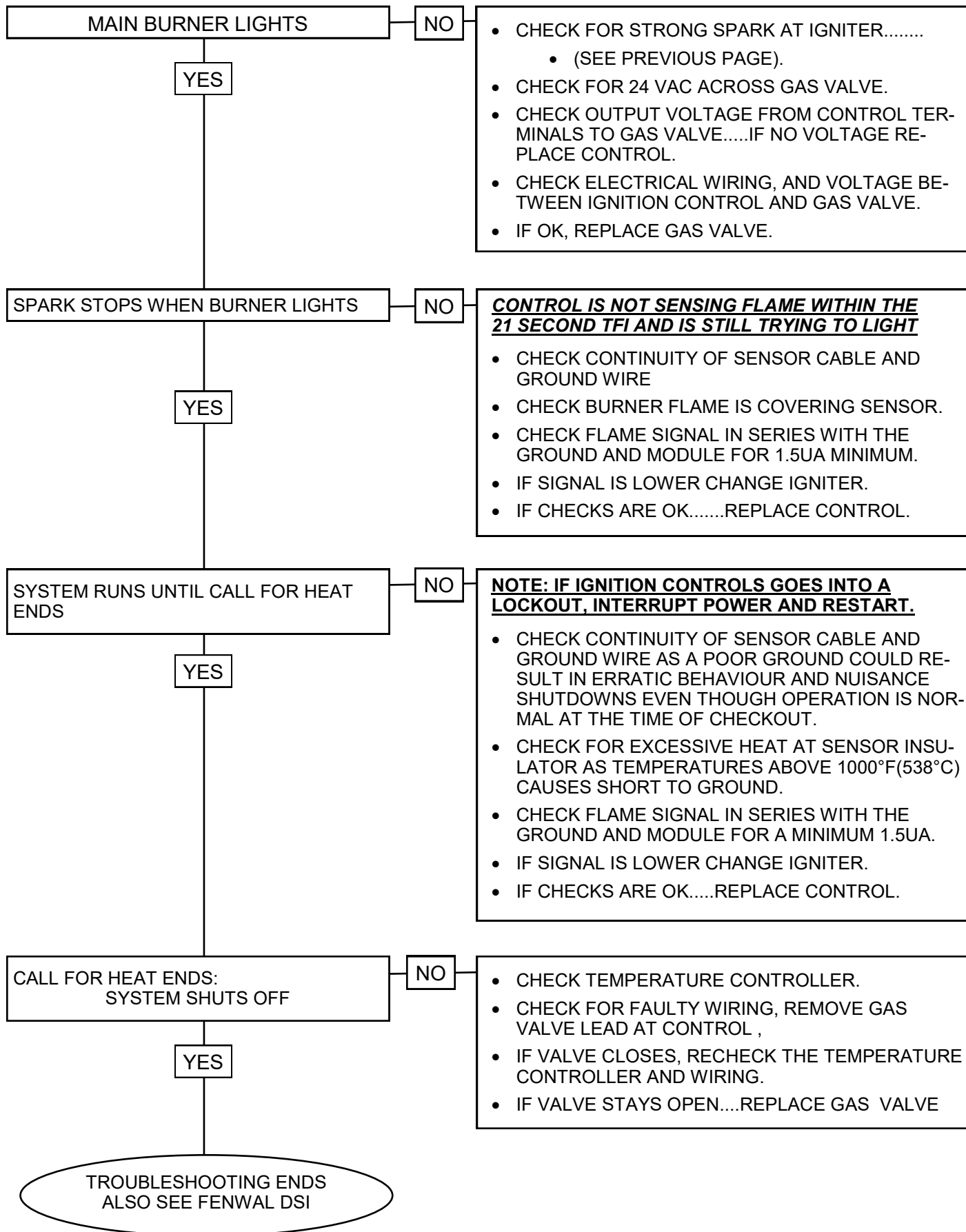


### WARNING

Improper adjustment, alteration, service or maintenance can cause property damage, injury or death. This heater must be installed and serviced only by a trained gas service technician

#### SEQUENCE OF EVENTS (also see DSI Troubleshooting previous page)





**25. START-UP / COMMISSIONING SHEET**



**THIS EQUIPMENT HAS BEEN FACTORY FIRED AND TESTED PRIOR TO SHIPMENT. HOWEVER, THIS APPLIANCE IS NOT “PLUG & PLAY”. IT REQUIRES COMMISSIONING AND FIELD ADJUSTMENT / SPECIFICATIONS CONFIRMATION TO ENSURE SAFE AND EFFICIENT OPERATION.**

**COMMISSIONING REPORT  
AS PER I&O MANUAL AND LOCAL CODES**

CONTRACTOR NAME: .....DATE.....

ADDRESS:.....  
.....

CITY:.....

PHONE:.....

CELL: .....

JOB SITE.....CITY.....

HEATER MODEL NUMBER:.....  
*Located on burner rating plate*

HEATER SERIAL NUMBER: .....

**TO ENSURE THAT SITE CONDITIONS ARE COMPATIBLE WITH THE HEATER’S PERFORMANCE AND TO ALLEVIATE NUISANCE CALL-BACKS, THE FOLLOWING START-UP NEEDS TO BE COMPLETED BY THE QUALIFIED GAS INSTALLER.**

**A TECHNICIAN CALLING FOR TECHNICAL SUPPORT MUST PROVIDE THE INFORMATION FROM THE COMPLETED COMMISSIONING REPORT ON THE NEXT PAGE**

**FAX COMPLETED REPORT TO TECHNICAL SERVICES:  
FAX 1-866-361-0523,  
VOICE 1-877-446-3727**



**WARNING**

**START UP ‘SMOKE’**

During start up, material coatings used in the production process of tubes and reflectors will “burn off” and create smoke during the first hour of operation. This is temporary and normal. Please ensure that there is sufficient ventilation to adequately clear the smoke from the space. Notify site and safety personnel to ensure that alarm systems are not unduly activated.

**QUALIFIED INSTALLER TO COMPLETE THIS  
TUBE HEATER COMMISSIONING REPORT**

TYPE OF GAS: NG  LP

DOES BUILDING HAVE A NEGATIVE CONDITION: YES  NO

IF THIS IS A HIGH ALTITUDE AREA WHAT IS THE ALTITUDE ABOVE SEA LEVEL  Ft

DOES APPLICATION REQUIRE FRESH AIR TO BURNER YES  NO

IS HEATER EXPOSED TO CHEMICAL OR CORROSIVE ATMOSPHERE: YES  NO

ARE ACTUAL MINIMUM CLEARANCES AS PER TABLE 3 YES  NO

CAN HEATER BE AFFECTED BY OVERHEAD CRANES / VIBRATION YES  NO

ARE GAS SUPPLY LINES ADEQUATELY SIZED FOR SYSTEM YES  NO

GAS LINES AND BRANCHES HAVE BEEN PURGED OF AIR: YES  NO

THIS HEATER FIRED WITHOUT ANY MALFUNCTION: YES  NO

INLET GAS SUPPLY PRESSURE WITH HEATER OPERATING :  WC"

GAS VALVE OUTLET (Manifold) PRESSURE WITH HEATER OPERATING:  WC"

WHAT IS THE LINE VOLTAGE READING AT THE HEATER  VOLTS

WHAT IS THE VOLTAGE READING AT THE IGNITION MODULE  VOLTS

WHAT IS THE FLAME SIGNAL STRENGTH IN uA FROM SENSOR:  uA (microamps)

IS HEATER CONTROLLED BY A THERMOSTAT YES  NO

IS THE THERMOSTAT STRATEGICALLY LOCATED YES  NO

WHAT IS TOTAL LENGTH OF INSTALLED THERMOSTAT WIRE  FEET

WHAT IS THE GAUGE OF THE THERMOSTAT WIRE  GAUGE

WHAT IS THE HEATER TUBE LENGTH (10ft per Tube section)  FEET

WHAT IS THE TOTAL LENGTH OF THE VENT (add 10ft for each bend)  FEET

WHAT LENGTH IS COMBUSTION AIR INTAKE (add 10ft for each bend)  FEET

IF REQUIRED....WHAT IS THE LENGTH OF THE TURBULATOR(S)  FEET

IF INSTALLED....IS TURBULATOR AT FLUE END OF SYSTEM YES  NO

"MAXIMUM STACKING HEIGHT" SIGN(S) - POSTED AT THERMOSTAT(S)

**THIS HEATER MUST BE ELECTRICALLY GOUNDED**

**FAX COMPLETED REPORT TO TECHNICAL SERVICES: FAX 1-866-361-0523, VOICE 1-877-446-3727**



## 26. DIMENSIONS AND WEIGHT

### Assembled System:

- Weight: 86 pounds (39 kg)
- Dimensions: 119.5" L x 20" W x 12" H (3035 mm x 508 mm x 305 mm)

### Burner:

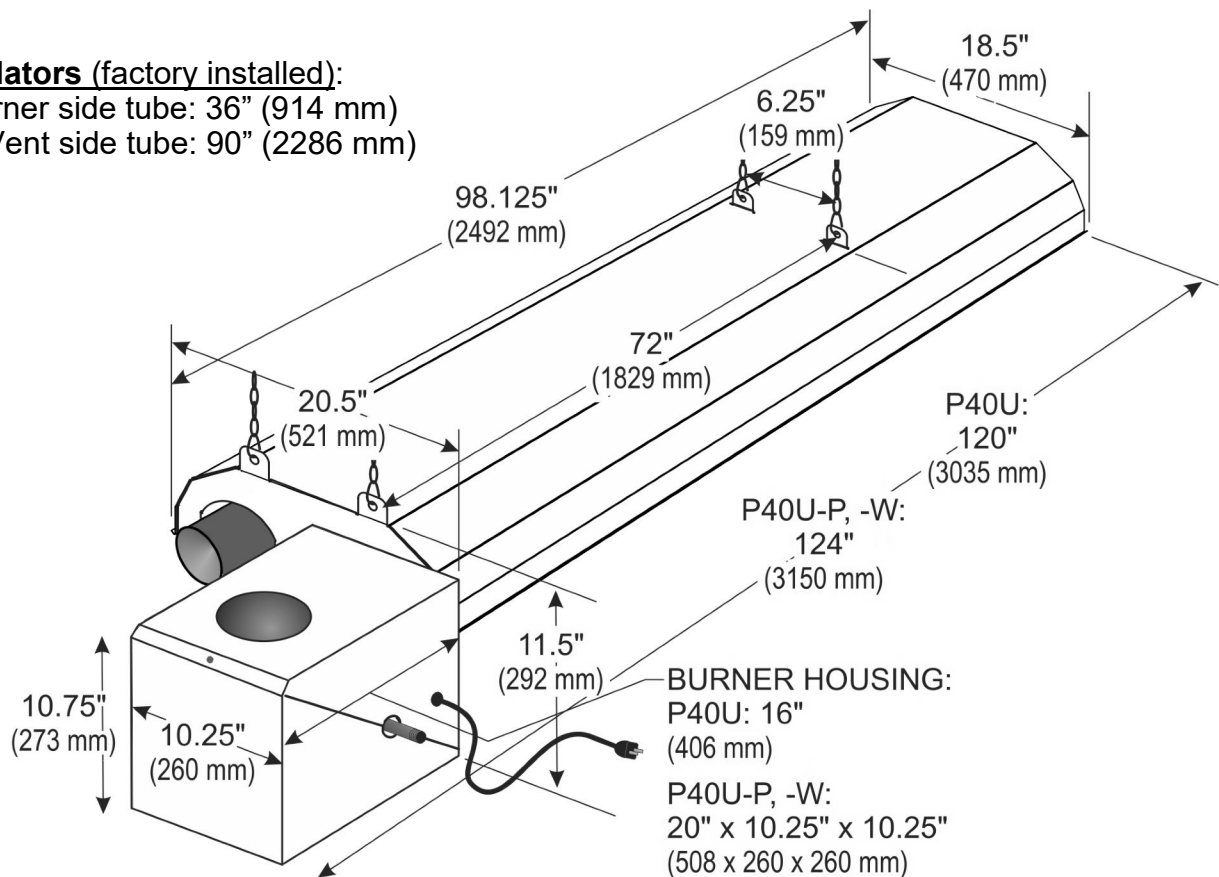
- Weight: 26 pounds (11.8 kg)
- Dimensions: P40U: 16" L x 10.25" W x 10.75" H (406 mm x 260 mm x 273 mm)  
P40U-P, -W: 20" L x 10.25" W x 10.25" H (406 mm x 260 mm x 260 mm)

### Tube Reflector System:

- Weight: 70 pounds (27 kg)
- Dimensions: 103.5" L x 16.5" W x 7.5" H (2629 mm x 420 mm x 190 mm)

### Turbulators (factory installed):

Burner side tube: 36" (914 mm)  
Vent side tube: 90" (2286 mm)

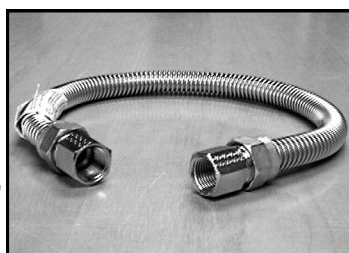


**FLEXIBLE GAS CONNECTOR (Included in Burner Kit) - MUST INSTALL - see Section 13**

#### **USA - Stainless Steel Flexible Gas Connector**

130,000 or less:  
JL-0771-XX - 1/2"x24"

155,000 or more:  
JL-0771-YY - 3/4"x36"



#### **CANADA - Type 1 Hose Gas Connector**

130,000 or less:  
JL-0771-RC - 1/2"x36"

155,000 or more:  
JL-0771-RB - 3/4"x36"



## 27. HIGH ALTITUDE INSTALLATION

When this appliance is installed above the altitude stipulated below, the input must be de-rated by 4% for each 1000 ft . **If your local utility supplies gas with a de-rated heat content, no orifice change is required in the heater** . Check with your local utility regarding de-rating.

**USA:** The factory installed orifice for this appliance is approved for altitudes zero to 2000 feet above sea level. Above 2000 feet, refer to table below.

**Canada:** The factory installed orifice for this appliance is approved for altitudes zero to 4500 feet above sea level. When installed above 4500 feet, refer to the table below

### ORIFICE CHART - ALTITUDE CONVERSION

MODEL NO	FOR USE AT ALTITUDES ABOVE (FEET) Gas Orifice Drill Size / Part #							
	Supplied	USA Only			USA & CANADA*			
	0	2000	3000	4000	5000	6000	7000	8000
P40U / P40U-I NG	31 DMS JS-0731-DM	3 mm JS-0730-MM	32DMS JS-0732-DM	32DMS JS-0732-DM	33DMS JS-0733-DM	34DMS JS-0734-DM	7/64 JS-0731-IN	36DMS JS-0736-DM
P40U / P40U-I Propane*	49 DMS JS-0749-DM	50 DMS JS-0750-DM	50 DMS JS-0750-DM	50 DMS JS-0750-DM	51 DMS JS-0751-DM	51 DMS JS-0751-DM	51 DMS JS-0751-DM	52 DMS JS-0752-DM

\* Field Conversion Kit required to convert between fuel gas types:

- Part number: JS-0555-XB P40U - Natural Gas to Propane Gas Conversion Kit
- Part number: JS-0555-XA P40U - Propane Gas to Natural Gas Conversion Kit

## 28. OPTIONAL ACCESSORIES

### Flue Vent Terminal

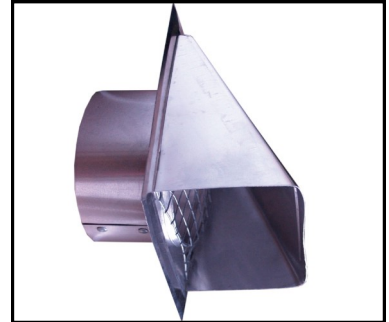
4" wall horizontal  
6" wall horizontal

JA-0528-XX  
JA-0529-XX



### Combustion Air Intake Terminal

4" Wall Intake Terminal (bird screened) JA-0532-VC



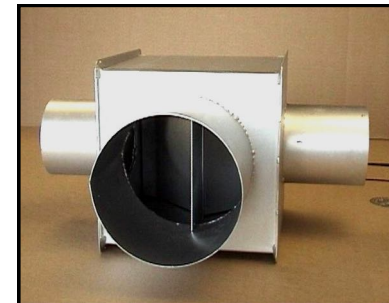
**Torctite Coupler** (c/w 2 bolts)

JA-0516-SW



**Vent Tee** 4" X 4" X 6"  
(2 couplers optional)

JA- 0514-XX



**Clearance Sign - Metal 18" x 6"**

- Required in some jurisdictions:

- Vehicle service garages
- 3/4" high red lettering on white background

JL-0798-CS

◦ **WARNING** ◦  
**MAINTAIN \_\_\_" CLEARANCE FROM  
TUBE HEATER TO VEHICLES  
AND COMBUSTIBLE MATERIALS**

**#2 Lion Chain** (115 lb work load)  
- 200 ft roll

JL-0800-XX

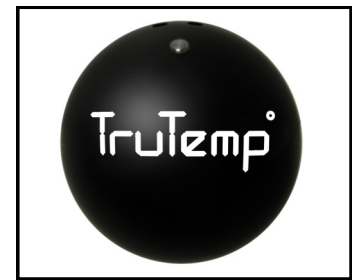
**Safety Snap Hooks** - 2" - pkg of 25  
- pkg of 100

JL-0800-SH  
JL-0800-SH-B



**TruTemp Thermostat** (24 Vac - 3-Wire)  
 True comfort control for radiant heating systems - senses and averages ambient and radiant temperatures.  
 Occupancy sensor with auto set-back of 9°F (5°C).  
*Do not use in wet or corrosive environments*

JM-0150-XX



**Low Voltage Digital Thermostat**  
 (24 Volts - °F or °C selectable)  
*Not for use in corrosive or wet environments*

JS-0569-WR



**For P40U-P, -W, -IP, -IW: Wet Environments  
 Moisture Proof Thermostat - NEMA 4X**  
 SPDT Line Voltage  
 40° - 110°F (5° - 40°C)  
 Both °F & °C Scales  
 Voltage: 24 - 277 Vac  
 Differential: 3°F  
 Stainless Steel Bulb  
 UL Listed

JS-0570-XX



**Multiple Heaters** per 24V Thermostat  
**Relay Switch:** One required for each burner after the first burner in a zone (1st burner connects to 24V thermostat)

Refer to wiring diagram Page 26  
 (field installed at or in burner)

NOTE: FENWAL DSI has built in relay for blower operation

JS-0568 -CC



**Line Voltage Thermostat:**  
 Dual Scale: °F or °C  
*Caution: Use of line voltage thermostat to control power supply to the heater will disable post-purge feature of the ignition control.*  
*Not for use in corrosive or wet environments*

JL-0772-XX



## JS-0502-UR-GK PROTECTIVE GUARD SCREEN OPTION – Zinc Plated; Two Piece Kit

- Recommended for heater mounted with less than 8 feet [2.4 m] between floor and bottom of heater or patio heating applications



Two sections make up the protective guard assembly that installs on the underside of the P40-U heater. Near the bottom edge at each side of the reflector are two sets of three holes. Each set of holes has one round hole at the center of the reflector, the other two holes are elongated and positioned between the center and the ends of the reflector. The pins that extend from each side of the two guard sections are inserted into these sets of holes.



Fig. 1



Fig. 2

**Step 1:** On ONE SIDE of the reflector, remove the bottom screws (Qty 3) that fasten the reflector to the end and center hanger brackets, Fig. 1. Retain screws for re-attachment of reflector .

**Step 2:** On the side of the reflector that remains securely fastened to the hangers, insert a pin located at the end of the Protective Guard into one of the 1/8" round holes located at the center of the reflector, Fig. 2

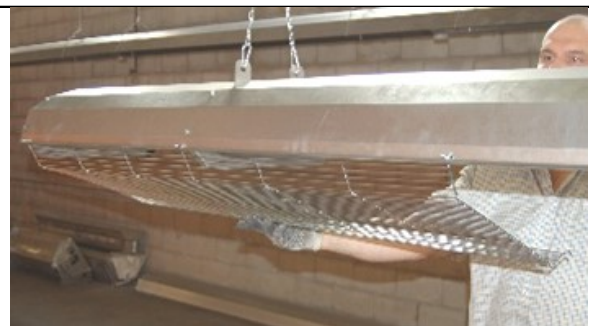


Fig. 3



Fig. 4

**STEP 3:** Continue installing pins into the reflector until all three pins on one side of the heater are inserted, Fig 3.

**STEP 4:** Swing the guard up to the opposite side of the reflector that was loosened from the hangers, Fig.4.



Fig.5



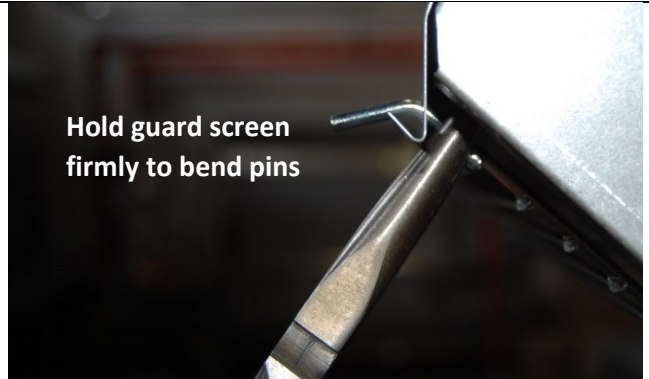
Fig. 6

**STEP 4:** On the second side of the reflector, first Insert a guard pin into the center hole, Fig 5. Insert remaining guard pins in the reflector holes, Fig 6.

**Step 5:** Repeat the process with the second guard section.



Fig. 7



Hold guard screen  
firmly to bend pins

Fig. 8

**Step 6:** Re-install the screws at the bottom edge of the reflector into the three hangers, Fig. 7.



Fig. 9



Fig. 10 (Center)

Fig. 11 (End)

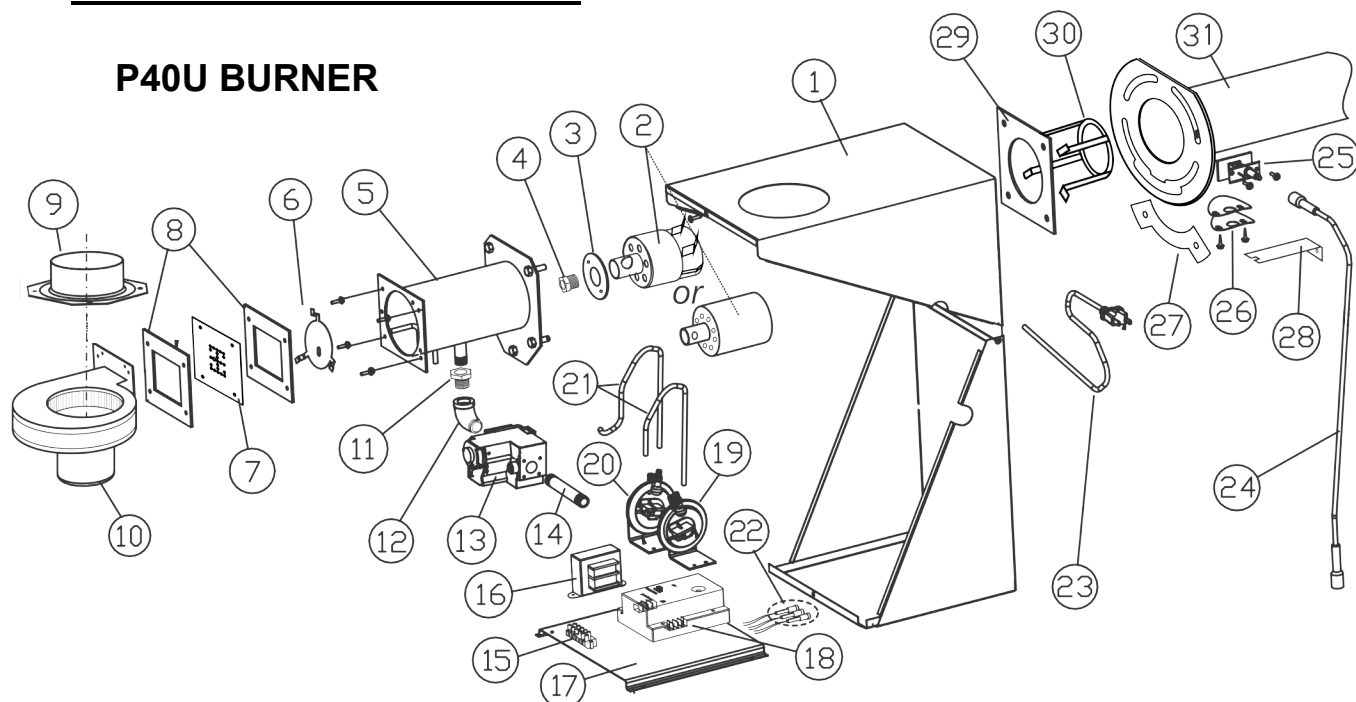
**Notes:**

- 1) To bend the pins, use needle nose pliers to hold the guard screen securely, Fig.8 and another set of pliers to bend the pin sideways, Fig.9.
- 2) DO NOT bend the pins downwards, it can damage the edge of the reflector.

**STEP 7:** To secure the guard in place bend the end pins of each guard section sideways and towards each other, Fig. 10 & 11. The center pin does not require bending.

## 29. REPLACEMENT PARTS LIST

### P40U BURNER



#	PART	PART #	PART DESCRIPTION	MODEL
1	<b>BURNER HOUSING:</b>	JJ-0582-XX	Burner housing coated gray	P40-R & Infrasave
		JS-0582-XX	Burner housing coated orange	
2	<b>BURNER CUP</b>	JS-0510-LP	Burner Cup with Vanes	<b>-FA</b>
		JS-0512-UL	Burner Cup 40,000	
3	<b>AIR RESTRICTOR RING</b>	JS-0596-AA	Air Restrictor Ring - 6 x 0.273" Holes	<b>-FA</b>
		JS-0596-RA-R	Air Restrictor Ring - 2 Holes	
4	<b>MAIN BURNER ORIFICE</b> <b>NG</b>	JS-0731-DM	Gas orifice low intensity HR 31 DMS	40,000 NG
	<b>MAIN BURNER ORIFICE</b> <b>Propane</b>	JS-0749-DM	Gas orifice low intensity HR 49 DMS	40,000 Propane
5	<b>BURNER CHAMBER</b>	JS-0504-XX	Burner Chamber	All
6	<b>AIR RESTRICTOR</b>	JS-0592-RF	Burner air restrictor P40-R	40 NG & Propane
7	<b>EQUALIZER PLATE</b> <b>NG</b>	JS-0593-EP-R	Outlet equalizer plate 40,000 - 13 Holes	40 NG & Propane
8	<b>BLOWER GASKET</b>	JS-0578-XX	Blower gasket - Outlet	Each
9	<b>AIR INTAKE COLLAR</b>	JS-0595-SC	Air Intake Collar - 1.5" Hole	40 NG & Propane
10	<b>BLOWER</b>	JS-0579-AA	Blower Assembly Tube Burner	
11	<b>MANIFOLD BUSHING</b>	JM-0589-XX	Manifold bushing	
12	<b>90 DEGREE ELBOW FITTING 1/2"</b>	JS-0588-XX	Street elbow fitting 90 deg	
13	<b>GAS VALVE - NG</b>	JL-0701-AA	Gas Valve comb 3.5" WC 24VAC VR8 NG	40,000 NG
	<b>GAS VALVE - Propane</b>	JL-0703-AA	Gas Valve comb 10" WC 24VAC VR8 LP	40,000 Propane
14	<b>4" NIPPLE</b>	JS-0590-XX	Nipple 4"	
15	<b>TERMINAL BLOCK</b>	JM-0455-DD	Terminal block - Electrical Connections	
16	<b>STEP DOWN TRANSFORMER</b>	JA-0775-XX	Transformer 120/24V, 20VA	
17	<b>COMPONENT PLATE</b>	JS-0581-SE	Component mounting plate SE	
18	<b>IGNITION CONTROL</b>	JA-0567-XX	Fenwal 3-Trial 24Vac with blower relay	<i>Also see kit next page</i>
19	<b>COMBUSTION AIR PROVING SWITCH</b>	JS-0576-UG	Air Proving Switch 1.00" WC	
20	<b>BLOCKED FLUE PROVING SWITCH</b>	JS-0577-RR	Blocked Flue Switch 0.46" WC	
21	<b>PRESSURE SWITCH TUBING</b>	JS-0572-SE	Tubing set 2 x 20" PVC SE	
22	<b>INDICATOR LAMPS</b>	JW-0519-AM	Indicator light amber	
		JW-0519-GR	Indicator light green	
		JW-0519-RE	Indicator light red	

### Burners with FENWAL IGNITION CONTROL - Models: P40U-F; P40U-I-F

18	FENWAL DSI CONTROL	JA-0567-XX	3-Trial 24Vac with blower relay	"-F" Models
	REPLACEMENT KIT: S87J	JA-0568-KT	Fenwal Control + Wire Harness + Cable + Igniter: Replaces Fenwal & S87J	
24	IGNITION CABLE	JS-0518-SA	Hi voltage wire (24") STW - 2 x 1/4" Spades	

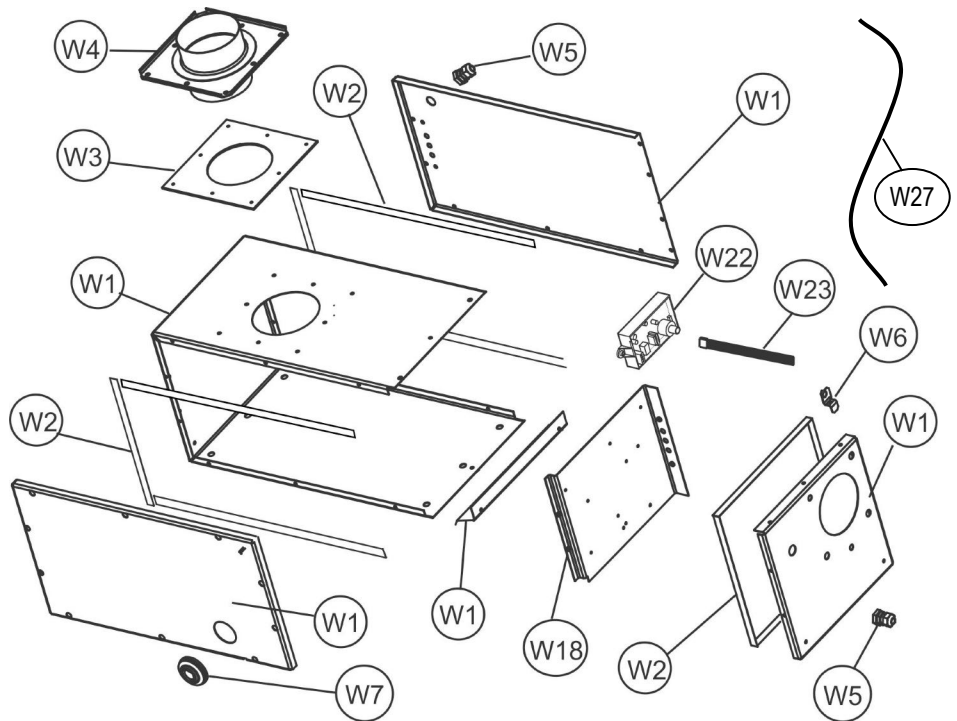
### Burners with HONEYWELL S87-J IGNITION CONTROL - Models: P40U; P40U-I

18	HONEYWELL IGNITION CONTROL	JA-0568-XX	DISCONTINUED - NO LONGER AVAILABLE	
	REPLACEMENT KIT to FENWAL CONTROL	JA-0568-KT	Fenwal Control + Wire Harness + Cable + Igniter	
24	IGNITION CABLE HONEYWELL S87J	JS-0518-XX	Wire hi voltage (24") S87J Bullet Connection	

#	PART DESCRIPTION	PART #	PART DESCRIPTION PRIMARY	SUPPLEMENT
23	ELECTRICAL CORD	JB-0567-XX	Cord - electrical 6'	
25	IGNITER KIT	JA-0571-KT	Spark Igniter & Gasket Kit	
26	SIGHT GLASS ASSEMBLY	JS-0536-XX	Sight glass assembly - tube heater	
27	FLANGE WASHER PLATE	JS-0501-UW	Washer plate - Bottom 2 Burner studs	
28	TUBE FASTENING BRACKET	JS-0502-UV	Positions tube in hanger / reflector system	
29	FLANGE GASKET	JS-0591-XX	Flange Adapter Gasket	
30	FLAME RECTIFIER	JS-0592-RR	Flame Rectifier	-FA

#### PARTS UNIQUE TO:

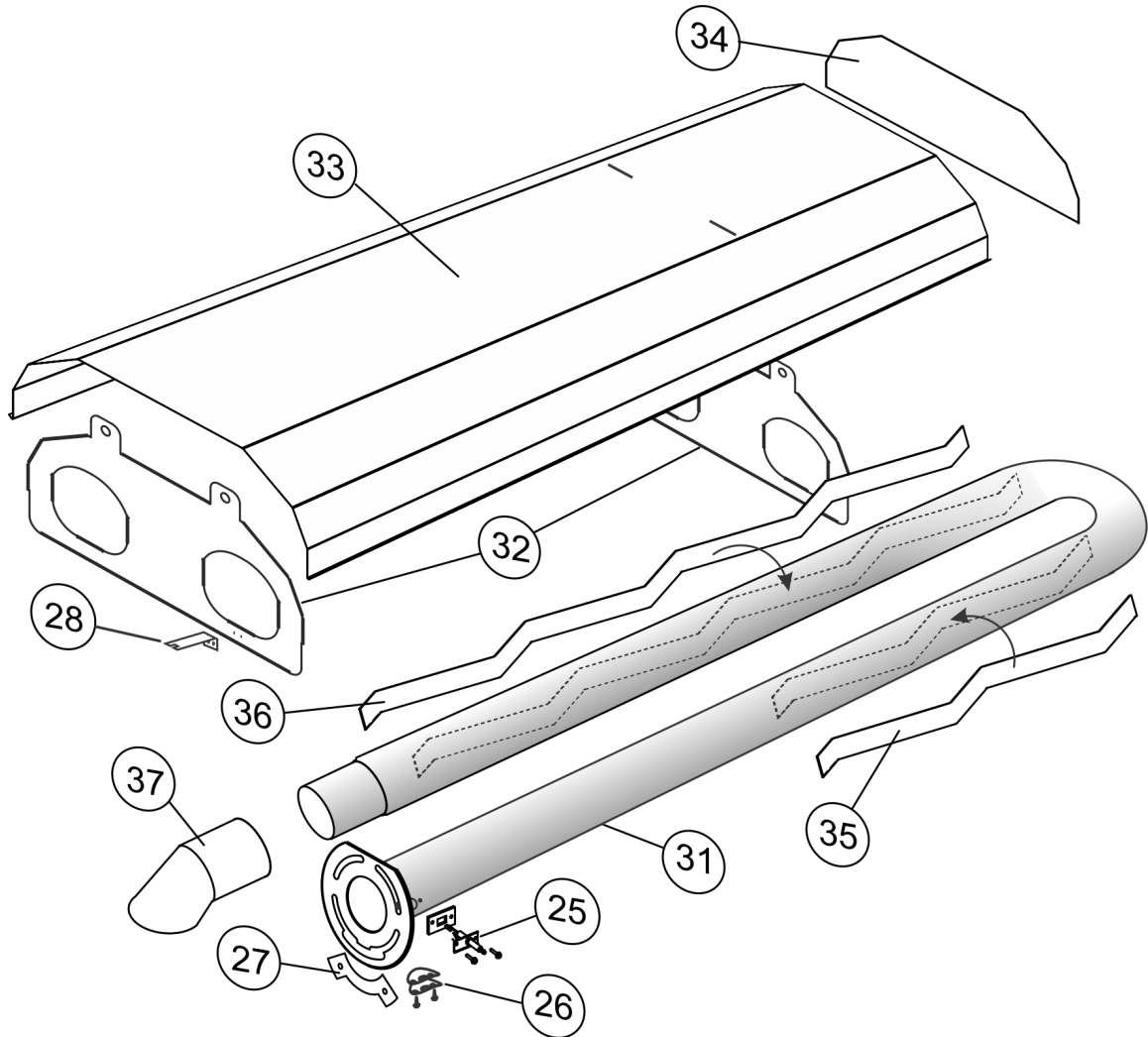
- P40U-P
- P40U-W
- P40U-IP
- P40U-IW



#	PART DESCRIPTION	PART #	PART DESCRIPTION PRIMARY	APPLICABLE
W1	BURNER HOUSING	JS-0582-WP-P	Powder Coated Burner Housing Wet Environment	Indoor/Outdoor
		JS-0582-WP	Stainless Steel Burner Housing Harsh Environment	Indoor/Outdoor
W2	BURNER HOUSING GASKET SET	JS-0591-WP	Housing gasket set	
W3	AIR INTAKE GASKET	JS-0601-WP	Air intake gasket	each
W4	COMBUSTION AIR INLET	JS-0583-WP	Powder Coated Combustion air inlet	
		JS-0583-15	Stainless Steel Combustion air inlet	
W5	SEALTIGHT CONNECTOR	JP-2036-XX	Connector liquid tight	
W6	BURNER STABILIZING BRACKET	JS-0583-05-P	Burner suspension bracket	
W7	WATERPROOF GROMMET	JP-2101-XX	Water proof butt connectors	
W18	COMPONENT PLATE	JS-0583-41	component mounting plate	
W22	IGNITION CONTROL	JB-0568-AA	Control - DSI 3 Try potted Gaslifer MICRO 50N	
W23	IGNITION CONTROL WIRING HARNESS	JB-0568-WH	3 Try potted spark DSI control wiring harness	
W27	IGNITION CABLE - MICRO 50N	JS-0518-SA	Hi voltage wire (24") STW - 2 x 1/4" Spades	



## P40U TUBE / REFLECTOR SYSTEM - ALL MODELS



25	<b>IGNITER KIT</b>	JA-0571-KT	Spark Igniter & Gasket Kit	
26	<b>SIGHT GLASS ASSEMBLY</b>	JS-0536-XX	Sight glass assembly - tube heater	
27	<b>FLANGE WASHER PLATE</b>	JS-0501-UW	Washer plate - Bottom 2 Burner studs	
28	<b>TUBE FASTENING BRACKET</b>	JS-0502-UV	Positions tube in hanger / reflector system	
31	<b>PREFORMED U-TUBE</b>	JS-0501-UT-R	Preformed U-Tube: 17 ft tube length	
32	<b>P40U HANGER</b>	JS-0506-UH-R	P40U System Hanger	
33	<b>P40U REFLECTOR</b>	JS-0502-UR-R	Reflector for P40U-xx	
34	<b>REFLECTOR END PLATE</b>	JS-0502-UT-R	Reflector End Plate	
35	<b>P40U TURBULATOR 39"</b>	JS-0533-SK	39" S/S Turbulator In Burner Side Tube	
36	<b>P40U TURBULATOR 90"</b>	JS-0533-UT	90" Turbulator In Vent Side Tube	
37	<b>OPTIONAL VENT CAP</b>	JA-0528-XX	Horizontal wall 4" vent terminal	Optional Item
	<b>OPTIONAL GUARD SCREEN</b>	JS-0502-UR-GK	2 Section Guard Screen fits below tube	Not Shown



**FOR GAS-FIRED INFRA-RED LOW INTENSITY TUBE HEATERS: P40U (-P, -W) & P40U-I (-IP, -IW) SERIES**

The Manufacturer warrants that this product is free from defects in material or workmanship under normal use and service subject to the terms of this document.

**THREE YEAR WARRANTY**

Subject to the conditions and limitations stated herein, during the term of this limited warranty, we will supply any component part (at our option a new or repaired component part) of the heater as defined below, excluding any labor, which the Manufacturer's examination determines to be defective in workmanship or material for a period of three years (3 years) from the date of installation, unless otherwise specified below. This warranty applies to the heater's original owner, and subsequent transferees and only if the unit is installed and operated in accordance with the printed instructions accompanying the unit and in compliance with all applicable installation codes and good trade practices. Warranty is only applicable to Schwank components, other parts are limited to their own Manufacturer's warranty period of one year (1 year).

**TEN YEAR WARRANTY**

The Manufacturer warrants the burner sub-assembly comprising of ceramic and immediate metal tubing, and the radiating tubes (excluding couplings) for a period of ten years (10 years).

**WHAT IS NOT COVERED**

The Manufacturer shall not be responsible for any expenses, including service, labor, diagnosis, analysis, material or transportation charges incurred during removal or reinstallation of this product, or any of its components or parts. All labor or service charges shall be paid by the owner. This warranty does not cover heating products improperly installed, misused, exposed to or damaged by negligence, accident, corrosive or contaminating atmosphere, water, excessive thermal shock, impact, abrasion, normal wear due to use, alteration or operation contrary to the owner's manual or if the serial number has been altered, defaced or removed. This warranty shall not apply if the input to the heating product exceeds by more than 2% of the rated input on the rating plate. The Manufacturer shall not be liable for any default or delay in performance by its warranty caused by any contingency beyond its control, including war, government restrictions, or restraints, strikes, fire, flood, acts of God, or short or reduced supply of raw materials or products.

**WARRANTY PROCEDURE**

To establish the installation date for any purpose under this Limited Warranty, you must retain the original records that can establish the installation date of your unit. If you do not provide such documents, the start date of the term of this Limited Warranty will be based upon the date of unit manufacture, plus thirty (30) days. Failure to maintain the equipment through regular annual service maintenance by a qualified service technician shall void the warranty.

**LIMITATIONS AND EXCLUSIONS**

This document contains all warranties made by the Manufacturer and may not be varied, altered or extended by any person. There are no promises, or agreements extending from the Manufacturer other than the statements contained herein. THIS WARRANTY IS IN LIEU OF ALL WARRANTIES EXPRESSED OR IMPLIED, TO THE EXTENT AUTHORIZED BY THE LAWS OF THE JURISDICTION, INCLUDING SPECIFICALLY THE WARRANTIES OR MERCHANTABILITY OF FITNESS FOR A PARTICULAR PURPOSE.

It is understood and agreed that the Manufacturer's obligation hereunder is limited to repairing or replacing parts determined to be defective as stated above. In no event shall the Manufacturer be responsible for any alleged personal injuries or other special, incidental or consequential damages. As to property damages, contract, tort or other claim the Manufacturer's responsibility shall not exceed the purchase price paid for the product.

All replacement parts will be warranted for the unused portion of the warranty coverage period remaining on the applicable unit.

Some Authorities do not allow certain warranty exclusions or limitations on duration of warranty or the exclusions or limitations of incidental or consequential damages. In such cases, the above limitations or exclusions may not apply to you and are not intended to do so where prohibited by law. This warranty gives you specific legal rights. You may also have other rights which vary by jurisdiction.

**SCHWANK GROUP**  
2 SCHWANK WAY, WAYNESBORO, GEORGIA. 30830  
5285 BRADCO BLVD. MISSISSAUGA, ON, L4W 2A6

Ph: 1-877-446-3727  
www.SchwankGroup.com

Fax: 1-866-361-0523  
www.InfraSave.com