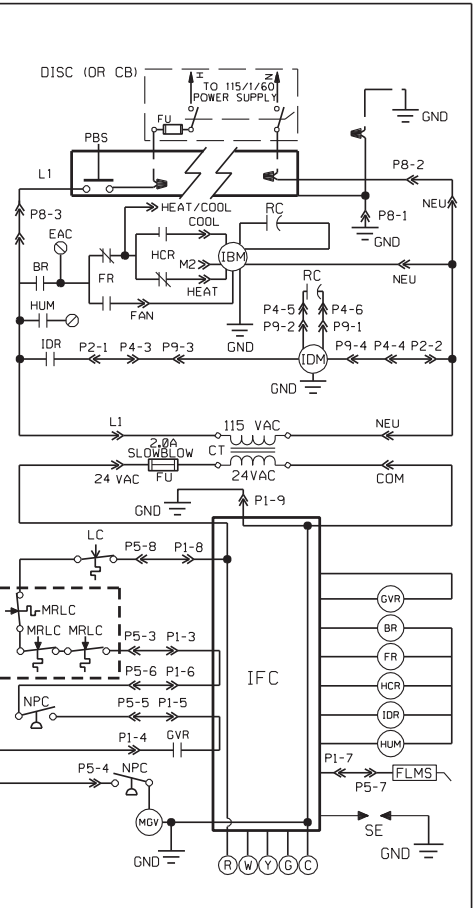


"OK" LED - BLINK CODES	
NO. OF FLASHES	PROBLEM
1	IGNITION FAILURE - 1 HR LOCKOUT
2	PRESSURE SWITCH STUCK OPEN - SWITCH WILL NOT CLOSE
3	LIMIT SWITCH OPEN - MAIN LIMIT, ROLLOUT CONTROL
4	PRESSURE SWITCH STUCK CLOSED SWITCH WILL NOT OPEN
5	TWINNING FAULT



COMPONENT CODE	
ALC	AUX. LIMIT CONTROL (TEMP)
BR	BLOWER RELAY
CC	COMPRESSOR CONTACTOR
CT	CONTROL TRANSFORMER
DISC	DISCONNECT SWITCH
EAC	ELECTRIC AIR CLEANER
FR	FAN RELAY
FLMS	FLAME SENSOR
FU	FUSE
GND	GROUND
GVR	GAS VALVE RELAY
HCR	HEAT/COOL RELAY
HUM	HUMIDIFIER RELAY
IBM	INDOOR BLOWER MOTOR
IDM	INDUCED DRAFT MOTOR
IDR	INDUCED DRAFT RELAY
IFC	INTRGRD FURNACE CNTRL
IR	IGNITION RELAY
LC	LIMIT CONTROL
MVCV	MAIN GAS VALVE
MRLC	MAN. RESET LIMIT CNTRL
MV	MAIN VALVE
NPC	NEG. PRESSURE CNTRL
PBS	PUSH BUTTON SWITCH
PL	PLUG
RC	RUN CAPACITOR
SE	SPARK IGNIT. ELECTRODE
TH	THERMOSTAT (H/C)
▲	WIRE NUT

NOTES:

- REFER TO SPEC. SHEET FOR ACTUAL FACTORY MOTOR TAP PLACEMENT OF "HEAT" & "LOW", AS SOME MODELS MAY BE DIFFERENT THAN SHOWN HERE. ALSO, REFER TO SPEC. SHEET OR INSTALLATION MANUAL IF WIRING OF HEAT AND/OR COOL SPEEDS IS NOT DESIREABLE.
- CONNECT UNUSED MOTOR LEADS TO MI AND/OR M2.
- MODELS WITH 3 SPEED MOTOR - BLUE LEAD IS FOR MEDIUM SPEED NO YELLOW LEAD ON MOTOR

WIRING INFORMATION

LINE VOLTAGE

- FACTORY STANDARD
- FACTORY OPTION
- FIELD INSTALLED

LOW VOLTAGE

- FACTORY STANDARD
- FACTORY OPTION
- FIELD INSTALLED

REPLACEMENT WIRE

- MUST BE THE SAME SIZE AND TYPE OF INSULATION AS ORIGINAL (105 C. MIN.)

WARNING

-CABINET MUST BE PERMANENTLY GROUNDED AND CONFORM TO I.E.C., N.E.C., C.E.C., NATIONAL WIRING REGULATIONS, AND LOCAL CODES AS APPLICABLE.

WIRE COLOR CODE	
BK__BLACK	O__ORANGE
BR__BROWN	PR__PURPLE
BL__BLUE	R__RED
G__GREEN	W__WHITE
GY__GRAY	Y__YELLOW

ELECTRICAL WIRING DIAGRAM	
UPFLOW BLOWER INDUCED DRAFT GAS FIRED, FORCED AIR FURNACE SINGLE STAGE HEAT SINGLE STAGE COOL DIRECT SPARK IGNITION	

DR. BY JIM	APP. BY	DATE 7-11-96	DWG. NO. 90-24007-04	REV 07
---------------	---------	-----------------	-------------------------	-----------

DWG. NO. 90-24007-04 REV 07