



ECR International - Olsen Division

Parts Listing

Oil Fired Warm Air Furnace

Models:

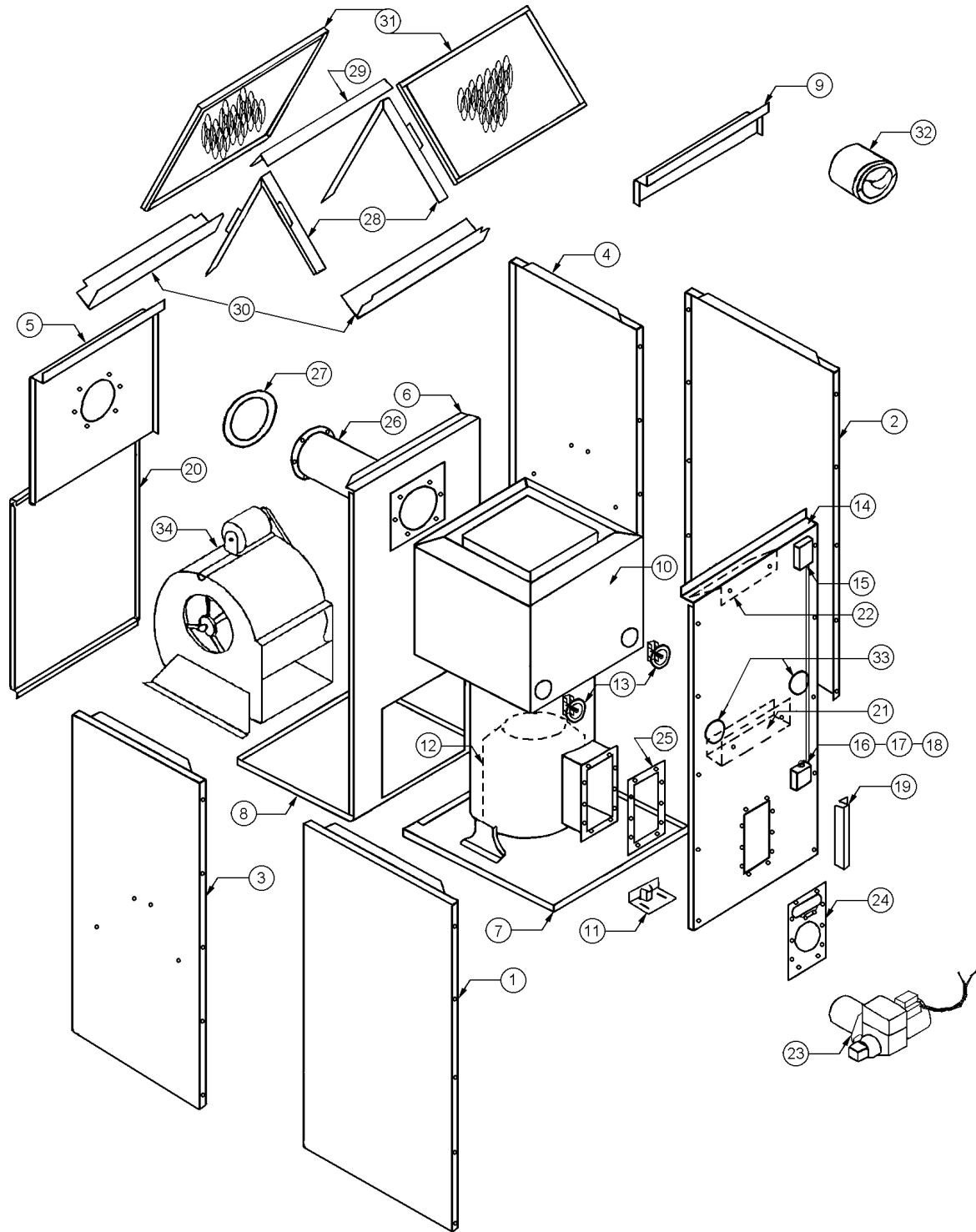
- ※ BCL 190 / 225 SERIES
- ※ BCL 120S / 145S SERIES
- ※ BFL 120 / 145 SERIES
- ※ BML 80 SERIES
- ※ HML 80B SERIES
- ※ HTL 100C SERIES
- ※ MPL 120 / 130 SERIES
- ※ WML 80B SERIES

Olsen
Heating & Cooling Products

Since 1925
Airco
Heating & Cooling Products

ECR International Limited – Olsen Division
PO Box 900, 6800 Base Line, Wallaceburg, ON N8A 5E5

MODEL BCL 170 - 225 DIAGRAM



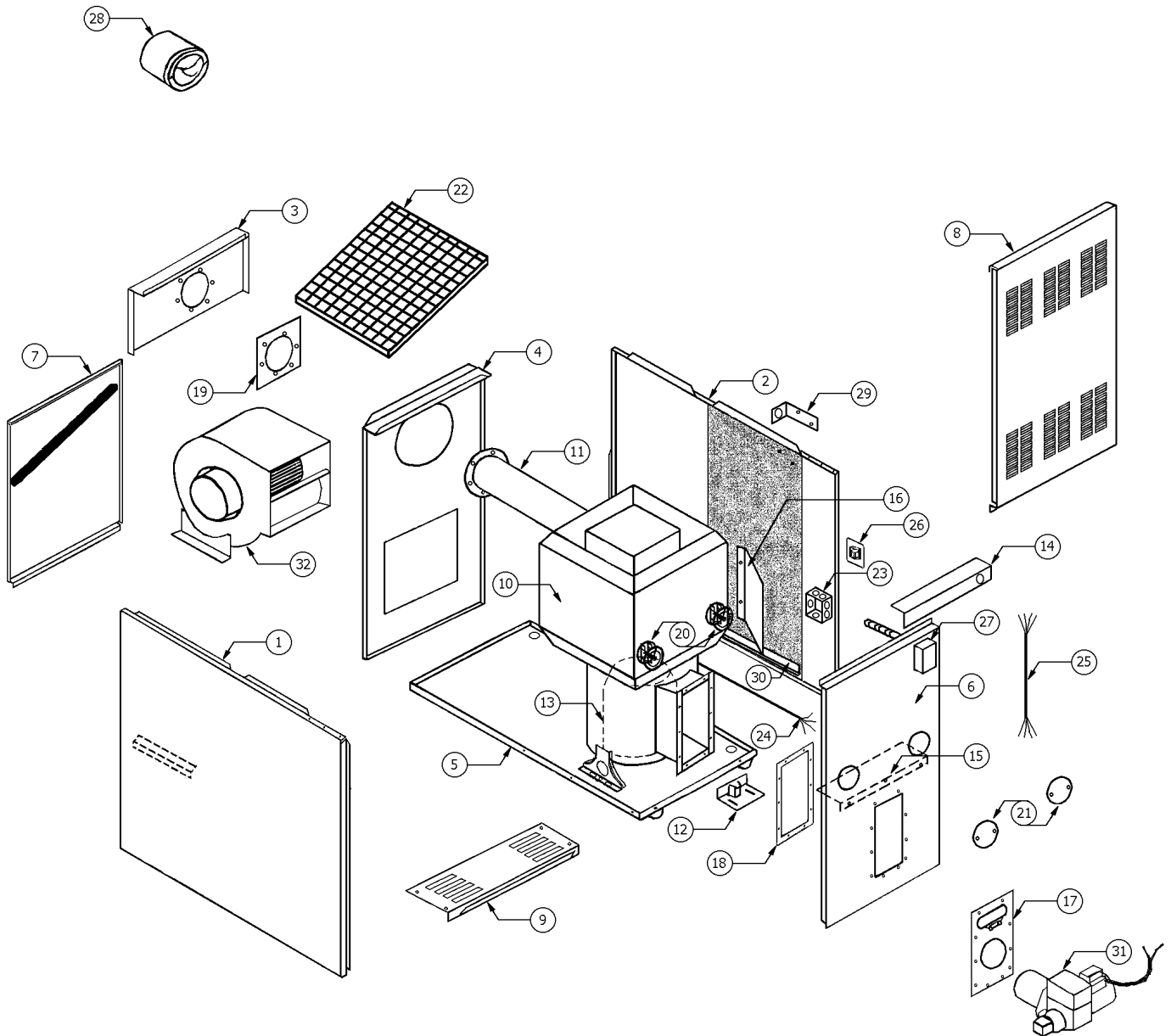
PARTS LISTING: LOWBOY MODEL: BCL - 190 / 225

Ref. No.	Description	Part No.
1	Left Side Panel Heating Compartment	29040L
2	Right Side Panel Heating Compartment	29040L
3	Left Side Panel Blower Compartment	29048L
4	Right Side Panel Blower Compartment	29047L
5	Upper Rear Panel Blower Compartment	29062L
6	Blower Partition Panel	29052L
7	Base Panel Assembly Heating Compartment	29043
8	Base Panel Assembly Blower Compartment	29056
9	Plenum Edge Panel Heating Compartment	29045L
10	Heat Exchanger Assembly (Prior to ser#BCUL66150 use 1018B4)	29224
11	Firepot Bracket Assembly	29225
12	Replacement Firepot	27000WP
13	Radiator Cleanout Cover Assembly (2 per unit)	1061A
	Cleanout Cover Gasket	2080176
14	Front Panel	29220L
	Logo Bezel	28479
	Logo Label	28563
15	Fan & Limit Control L4064W, 8" Insertion, Set @ 200° F	29041
16	Junction Box	21318
17	Fuse Holder	27089
18	Fuse, ABC-15	2200096
19	Wire Retainer Channel	27510
20	Blower Access Door	29053L
	Door Handle – P2-41	28673
21	Front Panel Baffle	3022140A
22	Top Front Panel Baffle	29223
23	Oil Burner assembly Beckett AF81WF	29597
	Burner Motor 1/7 HP 3450 RPM PSC	29689
	Beckett Cleancut Oil Pump A2EA6520	29688
	Solid State Ignitor FRANCE 10SAY-04	29522
	Primary Combustion Control R7184B	29664
	Air Tube Combination AF81WF	29530
	Flame Retention Head (F16)	29531
	Nozzle 1.50/70° B (BCL 170)	2101010
	Nozzle 1.65/70° B (BCL 190)	2101011
	Nozzle 1.75/70° B (BCL 200)	29288
	Nozzle 2.00/70° B (BCL 225)	29289
24	Oil Burner Mounting Plate Assembly	29869
	Inspection Door Assembly	8898A
	Inspection Door Gasket	2081055A
25	Pouch Gasket	2080175
26	Flue Pipe Assembly	1024B3
27	Flue Pipe Gasket (2 per unit)	2080181
28	Filter Rail Assembly (2 per unit)	29054
29	Top Filter Support	29063
30	Filter Support Front & Rear (2 per unit)	29055
31	Filter, 20" X 25" X1" Disposable (2 per unit) BCL 170 & 190	2180012
31	Filter, 20" X 25" X1" Permanent (2 per unit) BCL 200 & 225	2180024
32	Draft Regulator (7")	12401
33	Casing Cleanout Cover (2 per unit)	3011325A

PARTS LISTING: LOWBOY MODEL: BCL – 190/225

Ref. No.	Description	Part No.
34	Blower Assembly, BCL 170/190	8756B2
	Blower Housing and Wheel, G12	2040008
	Blower Motor, 3/4 hp Single Speed	28007
	Motor Pulley, 3 1/2 X 5/8 Adjustable With Keyway	19779
	Blower Pulley, 7 X 3/4	2240008
	Fan Belt, 4L430	2240022
	Blower Base Feet LH	8173B2
	Blower Base Feet RH	8173B1
	Blower Base Feet Rubber Grommet (4 required)	26415
	34	Blower Assembly, BCL 200/225
Blower Housing and Wheel, G12 With Ball Bearings		29222
Blower Motor, 1 hp Single Speed		29218
Motor Pulley 3 1/2 X 5/8 Adjustable With Keyway		19779
Blower Pulley 6 X 3/4		2240006
Fan Belt 4L410		2240020
Blower Base Feet LH		8173B2
Blower Base Feet RH		8173B1
Blower Base Feet Rubber Grommet (4 required)		26415

MODEL BCL 120S - 145S DIAGRAM



PARTS LISTING: LOWBOY MODEL: BCL - 120S / 145S

Ref. No.	Description	BCL 120S Part No.	BCL 145S Part No.
1	Left Side Panel Assembly	28423L	28423L
2	Right Side Panel Assembly	28422L	28422L
3	Upper Rear Panel	26048L	26048L
4	Blower Division Panel Assembly	28468	28468
5	Base Panel Assembly	28459	28459
6	Inner Front Panel	28425	28425
7	Blower Access Door	26586L	26586L
	Door Handle – PS-18	28673	28673
	Filter Gasket	28549	28549
8	Front Door Panel	21338L	21338L
	Logo Bezel	28479	28479
	Logo Label	28563	28563
9	Top Front Panel	26017L	26017L
10	Heat Exchanger Assembly	26098	26098
11	Flue Pipe Assembly	20597	20597
12	Firepot Bracket Assembly	4141185A	4141185A
13	Replacement Combustion Chamber	8823B1	8823B1
14	Top Front Baffle	21485	21485
15	Inner Front Baffle	21425	21425
16	Right Side Panel Baffle	21344	21344
17	Oil Burner Mounting Plate Assembly	29869	29869
	Inspection Door Gasket	2081055A	2081055A
18	Pouch Gasket	2080175	2080175
19	Flue Pipe Gasket (2 per unit)	21994	21994
20	Radiator Cleanout Cover Assembly	1061A	1061A
	Cleanout Cover Gasket	2080176	2080176
21	Casing Clean-out Cover	3011325A	3011325A
22	Air Filter – 20 x 25 x 1 (Permanent)	2180024	2180024
23	Junction Box	21318	21318
24	Wire Harness Blower Direct Drive	27273	27273
	Wire Harness Blower Belt Drive	27272	27272
25	Wire Harness Fan & Limit	29422	29422
26	Fan Centre	27740	27740
	27740 Replacement Relay 9400-04Q1999	27767	27767
27	Fan & Limit Control L6064A 11 1/2", 230° F	18002	18002
	Fuse ABC 15 Amp Slow Blow	-----	2200096
	Fuse Holder HKP-HH BCL	-----	27089
28	Draft Regulator 6"	12240	12240
29	Fan & Limit Support / Insulation Retainer	26973	26973
30	Side Panel Insulation Retainer (2 per unit)	26047	26047
31	Beckett Oil Burner AF65XN	29592	-----
	Burner Motor 1/7 HP 3450 RPM PSC	29689	-----
	Beckett Clean-cut Oil Pump A2EA6520	29688	-----
	Solid State Ignitor FRANCE 10SAY-04	29522	-----
	Primary Combustion Control R7184B	29664	-----
	Air Tube Combination AF65XN	11986	-----
	Flame Retention Head (F3)	11961	-----
	Nozzle, .65/80°A (BCL-80S only)	2100086	-----
	Nozzle, .75/80°A (BCL-90S only)	2100121	-----
	Nozzle, .85/80°A (BCL-100S only)	2100036	-----
	Nozzle, 1.00/80°A (BCL-120S only)	2100037	-----

PARTS LISTING: LOWBOY MODEL: BCL - 120S / 145S

Ref. No.	Description	BCL 120S Part No.	BCL 145S Part No
31	Beckett Oil Burner AF65YB	-----	29594
	Burner Motor 1/7 HP 3450 RPM PSC	-----	29689
	Beckett Clean-cut Oil Pump A2EA6520	-----	29688
	Solid State Ignitor FRANCE 10SAY-01	-----	29522
	Primary Combustion Control R7184B	-----	29664
	Air Tube Combination AF65YB	-----	20877
	Flame Retention Head (F6)	-----	12646
	Nozzle, 1.10/70°A (BCL-130S only)	-----	2100101
	Nozzle, 1.20 / 60°A (BCL-145S only)	-----	21460
32	Blower Assembly, Complete, Direct Drive, 1/2 hp	20643	20643
	Blower Housing and Wheel, G-10 DD	15011	15011
	Blower Wheel, G10 DD	26430	26430
	Blower Motor, 1/2 hp, 4-Speed	26088	26088
	Motor Mounting Band – TR5868	17811	17811
	Motor Mount Arms – 10-10 DD Blower (3 per unit)	26251	26251
	Motor Run Capacitor, 10 mfd @ 370 vac	27743	27743
	Capacitor Strap	27760	27760
	Capacitor Insulator	27769	27769
	Blower Base Feet LH	29703	29703
	Blower Base Feet RH	29704	29704
	Blower Base Feet Rubber Grommet (4 required)	26415	26415
	32	Blower Assembly, Complete, Belt Drive	6033C6
Blower Housing and Wheel, G10		10361	10361
Blower Wheel, 10-10 DD		26589	26589
Blower Motor		28005 (1/3 hp)	28006 (1/2 hp)
Motor Pulley 3 1/4 X 1/2 Adjustable		2240001	2240001
Blower Pulley 6 X 3/4		-----	2240006
Blower Pulley 7 X 3/4		2240008	-----
Fan Belt 4L Series		2240021 (42")	2240020 (41")
Blower Base Feet LH		29703	29703
Blower Base Feet RH		29704	29704
Blower Base Feet Rubber Grommet (4 required)		26415	26415

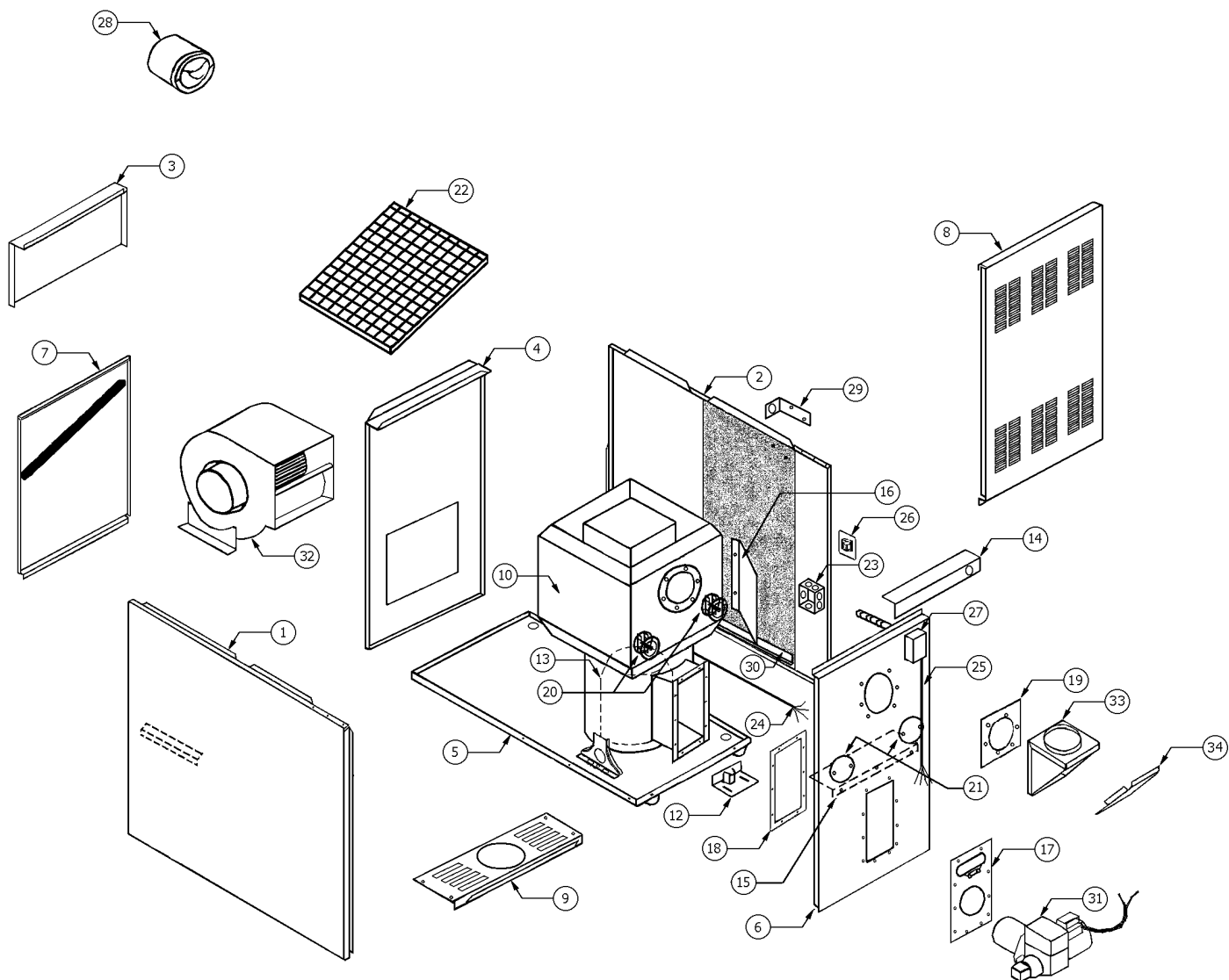
PARTS LISTING: LOWBOY MODEL: BCL - 120ST / 145ST

Ref. No.	Description	BCL 120ST Part No.	BCL 145ST Part No.
All parts are the same as listed on the previous pages for Model BCL-120S & 145S except where noted below.			
4	Blower Division Panel Assembly	29107	29107
5	Base Panel Assembly	29106	29106
24	Wire Harness Blower Direct Drive	27275	27275
25	Wire Harness Fan & Limit	26838	26838
26	Fan Centre Assembly	26857	26857
	Replacement Relay R8228B1012B	26854	26854
	Fuse ABC 15 Amp Slow Blow	2200096	2200096
	Fuse Holder HKP-HH BCL	27089	27089
32	Blower Assembly, Complete, Direct Drive, 1 hp	26812	26812
	Blower Housing and Wheel, DCT1220-1104 DD	26855	26855
	Blower Wheel, 12-11 DD	26653	26653
	Blower Motor, 1 hp 3 Speed	26826	26826
	Motor Mounting Band – TR5868	17811	17811
	Motor Mount Arms – 12-11 DD Blower (3 per unit)	17812	17812
	Motor Run Capacitor, 20 mfd @ 370 vac	27745	27745
	Capacitor Strap	27761	27761
	Capacitor Insulator	27768	27768
	Blower Base Feet LH	26013	26013
	Blower Base Feet RH	26012	26012
	Terminal Block #EE8-201	26833	26833
	Blower Base Feet Rubber Grommet (4 required)	26415	26415

PARTS LISTING: LOWBOY MODEL: BCL - 100SB2U

Ref. No.	Description	BCL 100SB2U Part No.
All parts are the same as listed on the previous pages for Model BCL-120S & 145S except where noted below.		
10	Heat Exchanger Assembly	27796
13	Replacement Combustion Chamber	27000WP
17	Oil Burner Mounting Plate Assembly	27988
	Sight Glass Cover Plate	27982
	Sight Glass Gasket (2 per unit)	27985
	Sight Glass	27986
	Sight Glass Retainer Assembly	27987
31	Beckett Oil Burner AFII 150	29602
	Burner Motor 1/7 HP 3450 RPM PSC	28907
	Beckett Clean-cut Oil Pump A2EA6520	29688
	Solid State Ignitor FRANCE 10SAY-04	28558
	Primary Combustion Control R7184P	29649
	Air Tube Combination FBX80HGXS	28561
	Flame Retention Head (FB3)	28533
	Nozzle, .75/60°A (BCL-100SB2U only)	27993
	Appliance Adaptor 6" Breach to 4" Vent (CFAA64P)	28966

MODEL BFL 120 - 145 DIAGRAM



PARTS LISTING: LOWBOY MODEL: BFL - 120 / 145

Ref. No.	Description	BFL 120 Part No.	BFL 145 Part No.
1	Left Side Panel Assembly	28423L	28423L
2	Right Side Panel Assembly	28422L	28422L
3	Upper Rear Panel	21421L	21421L
4	Blower Division Panel Assembly	28469	28469
5	Base Panel Assembly	28459	28459
6	Inner Front Panel	28428	28428
7	Blower Access Door	26586L	26586L
	Door Handle – P2-41	28673	28673
	Filter Gasket	28549	28549
8	Front Door Panel	21338L	21338L
	Logo Bezel	28479	28479
	Logo Label	28563	28563
9	Top Front Panel	21437L	21437L
10	Heat Exchanger Assembly	26097	26097
12	Firepot Bracket Assembly	4141185A	4141185A
13	Replacement Combustion Chamber	8823B1	8823B1
14	Top Front Baffle	21485	21485
15	Inner Front Baffle	21425	21425
16	Right Side Panel Baffle	21344	21344
17	Oil Burner Mounting Plate Assembly	29869	29869
	Inspection Door Gasket	2081055A	2081055A
18	Pouch Gasket	2080175	2080175
19	Flue Collar Gasket (2 per unit)	21994	21994
20	Radiator Cleanout Cover Assembly	1061A	1061A
	Cleanout Cover Gasket	2080176	2080176
21	Casing Clean-out Cover	3011325A	3011325A
22	Air Filter – 20 x 25 x 1 (Permanent)	2180024	2180024
23	Junction Box	21318	21318
24	Wire Harness Blower Direct Drive	27273	27273
	Wire Harness Blower Belt Drive	27272	27272
25	Wire Harness Fan & Limit	29422	29422
26	Fan Centre	27740	27740
	27740 Replacement Relay 9400-04Q1999	27767	27767
27	Fan & Limit Control L6064A 11 1/2", 190° F	12356	12356
	Fuse ABC 15 Amp Slow Blow	-----	2200096
	Fuse Holder HKP-HH BCL	-----	27089
28	Draft Regulator 6"	12240	12240
29	Fan & Limit Support / Insulation Retainer	26973	26973
30	Side Panel Insulation Retainer (2 per unit)	26047	26047
31	Beckett Oil Burner AF65XN	29592	-----
	Burner Motor 1/7 HP 3450 RPM PSC	29689	-----
	Beckett Clean-cut Oil Pump A2EA6520	29688	-----
	Solid State Ignitor FRANCE 10SAY-01	29522	-----
	Primary Combustion Control R7184B	29664	-----
	Air Tube Combination AF65XN	11986	-----
	Flame Retention Head (F3)	11961	-----
	Nozzle, .65/80°A (BFL-80 only)	2100086	-----
	Nozzle, .75/80°A (BFL-90 only)	2100121	-----
	Nozzle, .85/80°A (BFL-100 only)	2100036	-----
	Nozzle, 1.00/80°A (BFL-120 only)	2100037	-----

PARTS LISTING: LOWBOY MODEL: BFL - 120 / 145

Ref. No.	Description	BFL 120 Part No.	BFL 145 Part No
31	Beckett Oil Burner AF65YB	-----	29594
	Burner Motor 1/7 HP 3450 RPM PSC	-----	29689
	Beckett Clean-cut Oil Pump A2EA6520	-----	29688
	Solid State Ignitor FRANCE 10SAY-01	-----	29522
	Primary Combustion Control R7184B	-----	29664
	Air Tube Combination AF65YB	-----	20877
	Flame Retention Head (F6)	-----	12646
	Nozzle, 1.10/70°A (BCL-130S only)	-----	2100101
	Nozzle, 1.20 / 60°A (BCL-145S only)	-----	21460
	32	Blower Assembly, Complete, Direct Drive, 1/2 hp	20643
Blower Housing and Wheel, G-10 DD		15011	15011
Blower Wheel, G10 DD		26430	26430
Blower Motor, 1/2 hp, 4-Speed		26088	26088
Motor Mounting Band – TR5868		17811	17811
Motor Mount Arms – 10-10 DD Blower (3 per unit)		26251	26251
Motor Run Capacitor, 10 mfd @ 370 vac		27743	27743
Capacitor Strap		27760	27760
Capacitor Insulator		27769	27769
Blower Base Feet LH		29703	29703
Blower Base Feet RH		29704	29704
Blower Base Feet Rubber Grommet (4 required)		26415	26415
Blower Assembly, Complete, Belt Drive		6033C6	6033C7
Blower Housing and Wheel, G10		10361	10361
32	Blower Wheel, 10-10 DD	26589	26589
	Blower Motor	28005 (1/3 hp)	28006 (1/2 hp)
	Motor Pulley 3 1/4 X 1/2 Adjustable	2240001	2240001
	Blower Pulley 6 X 3/4	-----	2240006
	Blower Pulley 7 X 3/4	2240008	-----
	Fan Belt 4L Series	2240021 (42")	2240020 (41")
	Blower Base Feet LH	29703	29703
	Blower Base Feet RH	29704	29704
	Blower Base Feet Rubber Grommet (4 required)	26415	26415
	33	Flue Collector Assembly	1295B2
34	Flue Collector Cover	1297B2	1297B2

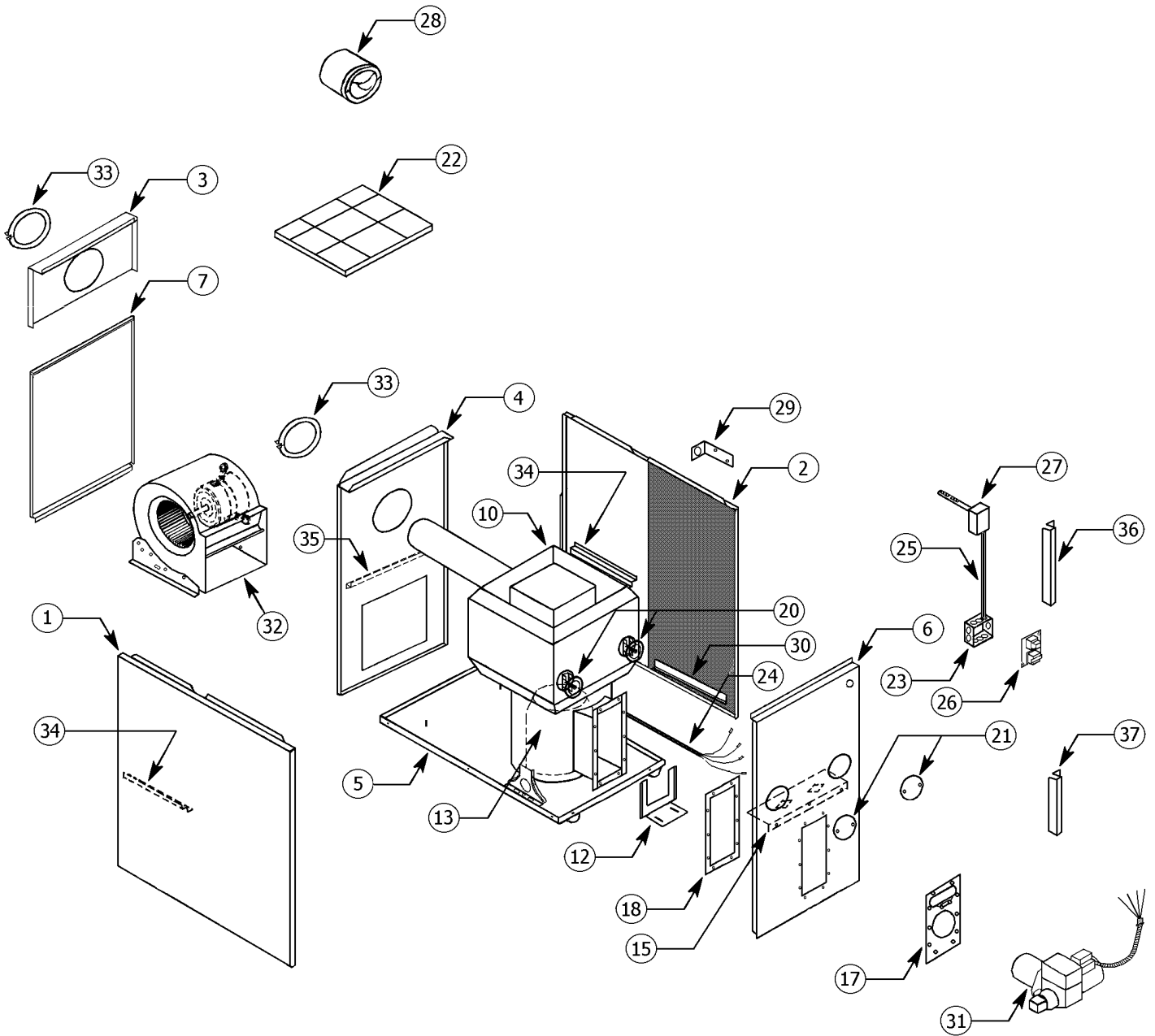
PARTS LISTING: LOWBOY MODEL: BFL - 120T / 145T

Ref. No.	Description	BFL 120T Part No.	BFL 145T Part No.
All parts are the same as listed on the previous pages for Model BFL-120 & 145 except where noted below.			
4	Blower Division Panel Assembly	29114	29114
5	Base Panel Assembly	29106	29106
24	Wire Harness Blower Direct Drive	27275	27275
25	Wire Harness Fan & Limit	26838	26838
26	Fan Centre Assembly	26857	26857
	Replacement Relay R8228B1012B	26854	26854
	Fuse ABC 15 Amp Slow Blow	2200096	2200096
	Fuse Holder HKP-HH BCL	27089	27089
32	Blower Assembly, Complete, Direct Drive, 1 hp	26812	26812
	Blower Housing and Wheel, DCT1220-1104 DD	26855	26855
	Blower Wheel, 12-11 DD	26653	26653
	Blower Motor, 1 hp 3 Speed	26826	26826
	Motor Mounting Band – TR5868	17811	17811
	Motor Mount Arms – 12-11 DD Blower (3 per unit)	17812	17812
	Motor Run Capacitor, 20 mfd @ 370 vac	27745	27745
	Capacitor Strap	27761	27761
	Capacitor Insulator	27768	27768
	Blower Base Feet LH	26013	26013
	Blower Base Feet RH	26012	26012
	Terminal Block #EE8-201	26833	26833
	Blower Base Feet Rubber Grommet (4 required)	26415	26415

PARTS LISTING: LOWBOY MODEL: BFL - 100B2U

Ref. No.	Description	BFL 100B2U Part No.
All parts are the same as listed on the previous pages for Model BFL-120 & 145 except where noted below.		
10	Heat Exchanger Assembly	28405
13	Replacement Combustion Chamber	27000WP
17	Oil Burner Mounting Plate Assembly	27988
	Sight Glass Cover Plate	27982
	Sight Glass Gasket (2 per unit)	27985
	Sight Glass	27986
	Sight Glass Retainer Assembly	27987
31	Beckett Oil Burner AFII 150	29602
	Burner Motor 1/7 HP 3450 RPM PSC	28907
	Beckett Clean-cut Oil Pump A2EA6520	29688
	Solid State Ignitor FRANCE 10SAY-01	28558
	Primary Combustion Control R7184P	29649
	Air Tube Combination FBX80HGXS	28561
	Flame Retention Head (FB3)	28533
	Nozzle, .75/60°A (BFL-100B2U only)	27993
33	Flue Connector Assembly 6" to 4" 90° Elbow	28952
	Appliance Adaptor 4" Breach to 4" Vent (CFAA44P)	28964

MODEL BML DIAGRAM



PARTS LISTING: LOWBOY MODEL: BML - 80

Ref. No.	Description	Part No.
1	Left Side Panel Assembly	28473L
2	Right Side Panel Assembly	28472L
3	Upper Rear Panel	27368L
4	Blower Division Panel Assembly	28474
5	Base Panel Assembly	27364
6	Front Panel	27359L
	Logo Bezel	28479
	Logo Label	28563
7	Blower Access Door	27367L
	Door Handle – PS-18	28673
10	Heat Exchanger Assembly	28791
12	Firepot Bracket Assembly	27068
13	Replacement Combustion Chamber	27000WP
15	Inner Front Baffle	27374
17	Oil Burner Mounting Plate Assembly	29873
	Inspection Door Gasket Left Hand	27041
	Inspection Door Gasket Right Hand	27040
	Inspection Door Gasket Centre	27096
18	Pouch Gasket	2080175
20	Radiator Cleanout Cover Assembly	1061A
	Cleanout Cover Gasket (2 per unit)	2080176
21	Casing Clean-out Cover	3011325A
22	Air Filter – 20 x 20 x 1 (Permanent)	2180032
23	Junction Box	21318
24	Wire Harness Blower Direct Drive	27627
	Wire Harness Blower Belt Drive	27627
25	Wire Harness Fan & Limit	27626
26	Fan Centre	27740
	27740 Replacement Relay 9400-04Q1999	27767
27	Fan & Limit Control L6064W 5", 200° F	27463
28	Draft Regulator 5"	27494
29	Fan & Limit Support / Insulation Retainer	27577
30	Side Panel Insulation Retainer (2 per unit)	26047
31	Beckett Oil Burner AF76BHNS (Effective May 1,2003)	29844
	Burner Motor 1/7 HP 3450 RPM PSC	29689
	Beckett Clean-cut Oil Pump A2EA6520	29688
	Solid State Ignitor FRANCE 10SAY-04	29522
	Primary Combustion Control R8184N	27260
	Air Tube Combination (After may 1,2003)	29881
	Flame Retention Head (F0)	11960
	Nozzle, .65/80°A (BML-80 only) (after May1, 2003)	2100086
	Oil Burner AF72BOPWHS (Prior to may 1,2003)	28778
	Air Tube Combination AF72BOPWHS (Prior to May 1, 2003)	28809
	Nozzle, .65/60°A (BML-80 only) (Prior to May 1, 2003)	27491

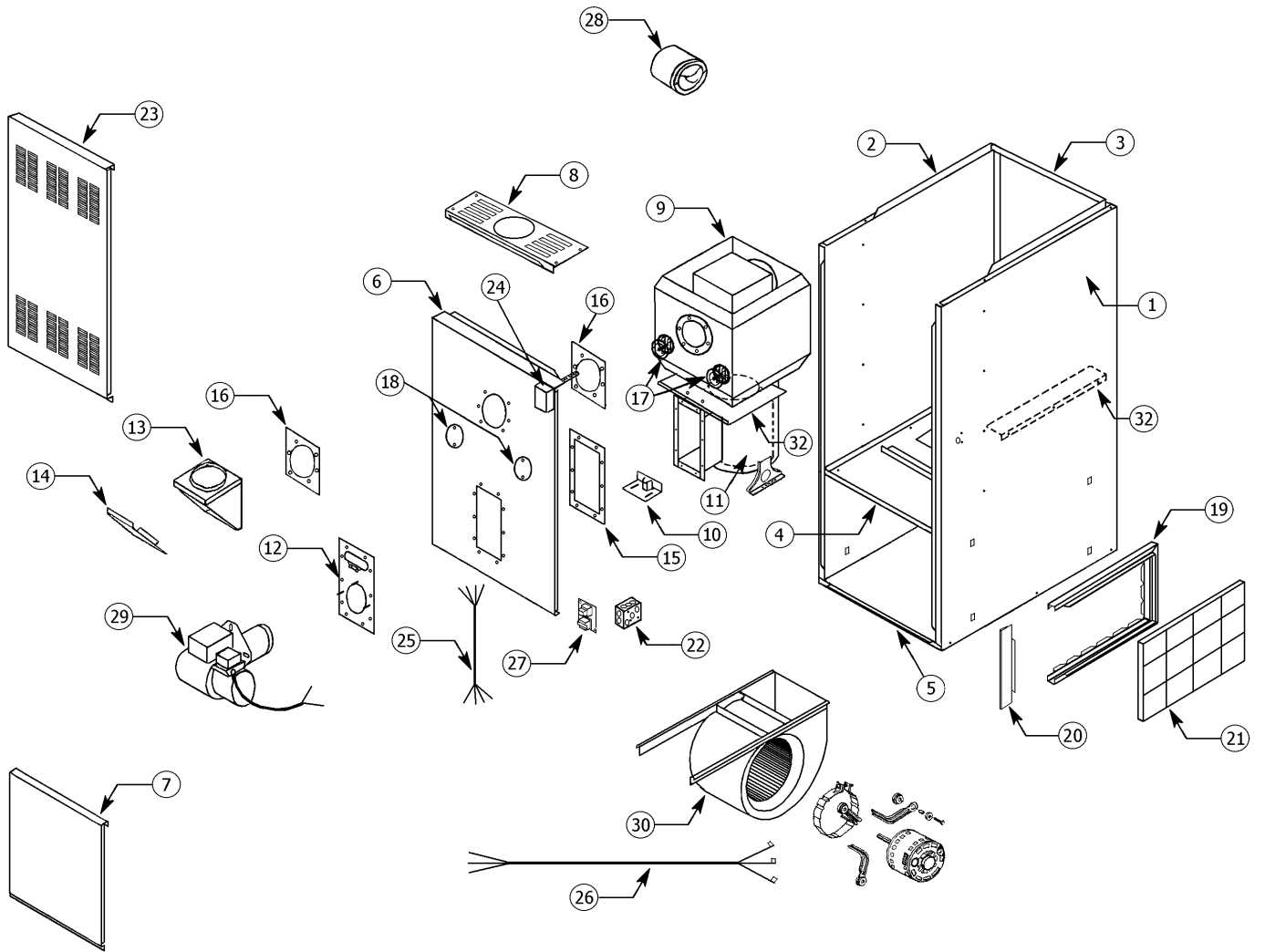
PARTS LISTING: LOWBOY MODEL: BML - 80

Ref. No.	Description	Part No.
32	Blower Assembly, Complete, Direct Drive, 1/2 hp	27488
	Blower Housing and Wheel, GT10 DD Special	15010
	Blower Wheel, G10 DD	26430
	Blower Motor, 1/2 hp, 4-Speed	26088
	Motor Mounting Band – TR5868	17811
	Motor Mount Arms – 10-10 DD Blower (3 per unit)	26251
	Motor Run Capacitor, 10 mfd @ 370 vac	27743
	Capacitor Strap	27760
	Capacitor Insulator	27769
	Blower Base Feet LH	29233
	Blower Base Feet RH	29232
	Blower Base Feet Rubber Grommet (4 required)	26415
32	Blower Assembly, Complete, Belt Drive	27625
	Blower Housing and Wheel, GT10 Special	17996
	Blower Wheel, 10-10 BD	26589
	Blower Motor	28006 (1/2 hp)
	Motor Pulley 3 1/4 X 1/2 Adjustable	2240001
	Blower Pulley 7 X 3/4	2240008
	Fan Belt 4L Series	2240017 (38")
	Blower Base Feet LH	29233
	Blower Base Feet RH	29232
	Blower Base Feet Rubber Grommet (4 required)	26415
33	Flue Pipe Collar (2 per unit)	27476
34	Side Panel Filter Support (2 per unit)	27370
35	Blower Division Filter Support	27369
36	Upper Wire Retainer	27495
37	Lower Wire Retainer	27510

PARTS LISTING: LOWBOY MODEL: BML - 80B2U

Ref. No.	Description	Part No.
All parts are the same as listed on the previous pages for Model BML-80 except where noted below.		
17	Oil Burner Mounting Plate Assembly	27988
	Sight Glass Cover Plate	27982
	Sight Glass Gasket (2 per unit)	27985
	Sight Glass	27986
	Sight Glass Retainer Assembly	27987
31	Beckett Oil Burner AFII 85	29600
	Burner Motor 1/7 HP 3450 RPM PSC	28907
	Beckett Clean-cut Oil Pump A2EA6520	29688
	Solid State Ignitor FRANCE 10SAY-01	28588
	Primary Combustion Control R7184P	29649
	Air Tube Combination FBX80HFXS	28542
	Flame Retention Head (FB3)	28533
	Nozzle, .60/60°A (BML-80B2U only)	28017
33	Appliance Adaptor 5" Breach to 3" Vent (CFAA53P)	28965

MODEL HML-B, HTL-100C
DIAGRAM



PARTS LISTING: HIGHBOY MODEL: HML - 80B / HTL 100C

Ref. No.	Description	HML 80B Part No.	HTL 100C Part No.
1	Left Side Panel Assembly	29187L	28457L
2	Right Side Panel Assembly	29186L	28456L
3	Rear Panel	29205L	26209L
4	Blower Division Assembly	29189	28455
5	Base Panel	26216	26216
6	Inner Front Panel	29190	28428
7	Blower Access Panel	27721L	29122L
	Door Handle – P2-41	27368	27368
8	Top Panel	21437L	21437L
9	Heat Exchanger Assembly	28675	26569
10	Combustion Chamber Retainer Bracket	27068	4141185A
11	Replacement Combustion Chamber	27000WP	8823B1
12	Oil Burner Mounting Plate	1214B	1214B
13	Flue Collector Assembly	27734	1295B2
14	Flue Collector Cover	1297B2	1297B2
15	Pouch Gasket	2080175	2080175
16	Flue Collar Gasket (2 per unit)	21994	21994
17	Radiator Cleanout Cover (2 per unit)	1061A	1061A
18	Casing Cleanout Cover (2 per unit)	3011325A	3011325A
19	Filter Frame 16" X 25"	18020	18020
20	Filter Frame End Support	5592B2	5592B2
21	Filter 16" X 25" Permanent	2180023	2180023
22	Junction Box	21318	21318
23	Upper Door Panel	30164L	21338L
	Logo Bezel	28479	28479
	Logo Label	28563	28563
24	Fan & Limit L4064W1254B 11" Set @ 200° F (HML B only)	27779	-----
	Fan & Limit L6064A1003B 11" Set @ 210° F (HTL C only)	-----	18121
25	Wire Harness, Fan & Limit	27751	29422
26	Wire Harness, Blower	26591	26591
27	Fan Center, 40 va, SPDT, 57-01V18BC4E231	27740	27740
	Replacement Relay	27767	27767
28	Draft Regulator	27494 (5")	12240 (6")
29	Oil Burner Assembly, Beckett AF65XN	27994	29593
	Burner Motor 1/7 HP 3450 RPM PSC	29689	29689
	Beckett Clean-cut Oil Pump A2EA6520	29688	29688
	Solid State Ignitor FRANCE 10SAY-01	29522	29522
	Primary Combustion Control R8184N	27260	-----
	Primary Combustion Control R7184B	-----	29664
	Air Tube Combination AF72BOPWHS (HML B only)	28809	-----
	Air Tube Combination AF65XN (HTL C only)	-----	11986
	Flame Retention Head	11960 (F0)	11961 (F3)
	Nozzle, .65/60°A (HML-80B only)	27491	-----
	Nozzle, .85/80°A (HTL-100C only)	-----	2100036
***	Parts Listed below are for units built after May 1, 2003		
	Oil Burner Assembly, Beckett AF76BNHS	29844	-----
	Air Tube Combination AF76BHNS (HML B only)	29881	-----
	Nozzle, .65/80°A (HML-80B only)	2100086	-----

PARTS LISTING: HIGHBOY MODEL: HML - 80B / HTL 100C

Ref. No.	Description	HML 80B Part No.	HTL 100C Part No.	
30	Blower Assembly Direct Drive	27723	26564	
	Blower Housing and Wheel, GT10 DD (HML-B only)	28142	-----	
	Blower Housing and Wheel, G10 DD (HTL-C only)	-----	15011	
	Blower Wheel, G10 DD	26430	26430	
	Blower Motor, 1/2 hp, 4-Speed	26088	26088	
	Motor Mounting Band – TR6884B	17811	17811	
	Motor Mount Arms – 10-10 DD Blower (3 per unit)	26251	26251	
	Motor Run Capacitor, 10 mfd @ 370 vac	27743	27743	
	Capacitor Strap	27760	27760	
	Capacitor Insulator	27769	27769	
	Blower Slide Rail 2 Per	27733	18189	
	30	Blower Assembly Belt Drive	27763	26554
		Blower Housing and Wheel, GT10 (HML-B only)	27790	-----
Blower Housing and Wheel, G10 (HTL-C only)		-----	10361	
Blower Wheel, G10		26589	26589	
Blower Motor, 1/2 hp, Single-Speed		28006	28006	
Motor Pulley 3 1/4 X 1/2 Adjustable		2240001	2240001	
Blower Pulley 7 X 3/4 (HML-B only)		2240008	-----	
Blower Pulley 5 X 3/4 (HTL-C only)		-----	2240005	
Fan Belt 4L Series (HML-B only)		2240016 (37")	-----	
Fan Belt 4L Series (HTL-C only)		-----	2240065 (35")	
Blower Slide Rail 2 Per	27733	18189		
32	Right Side Panel, Air Baffle HML 80B	27731	-----	
	Heat Exchanger, Air Baffle HTL 100C	-----	26236	

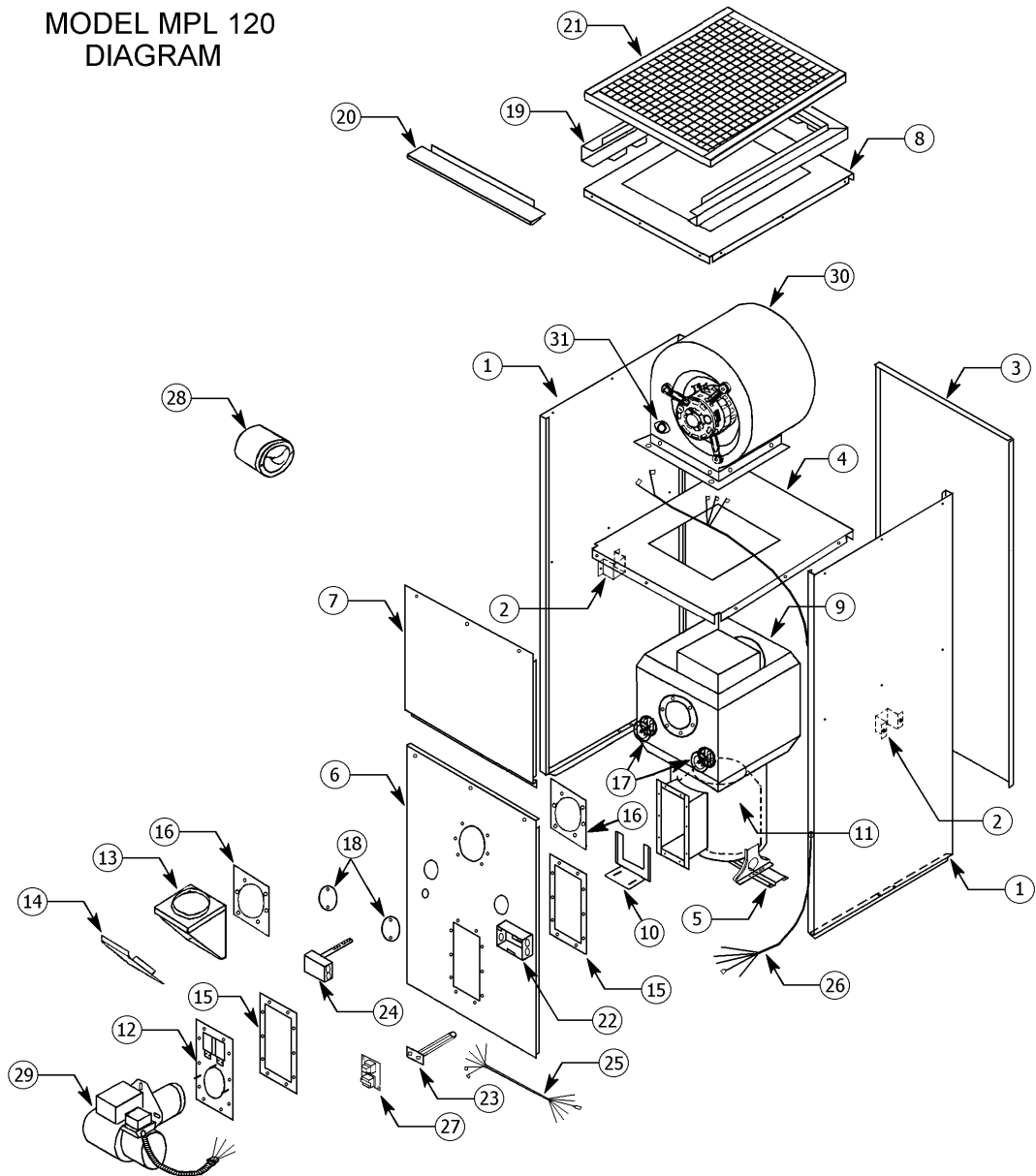
PARTS LISTING: HIGHBOY MODEL: HTL 100CT

Ref. No.	Description	HTL 100CT Part No.
All parts are the same as listed on the previous pages for Model HTL 100C except where noted below.		
4	Blower Division Assembly	29116
26	Wire Harness, Blower	29119
27	Fan Center, Assembly 40 va, SPDT Replacement Relay R8228B1012B	26857 26854
30	Blower Assembly HTL 100CT	29117
	Blower Housing and Wheel, DCT1220 1104 DD	26855
	Blower Wheel, 12-11 DD	26653
	Blower Motor, 1 hp, 3-Speed	26826
	Motor Mounting Band – TR6884B	17811
	Motor Mount Arms 12-11 DD Blower (3 per unit)	17812
	Motor Run Capacitor, 20 mfd @ 370 vac	27745
	Capacitor Strap	27761
	Capacitor Insulator	27768
	Blower Slide Rail 2 Per	18189
	Terminal Block EE8-201	26833
	Fuse ABC 15 Amp Slow Blow	2200096
	Fuse Holder HKP-HH BCL	27089

PARTS LISTING: LOWBOY MODEL: HML - 80BB2U

Ref. No.	Description	HML 80BB2U Part No.
All parts are the same as listed on the previous pages for Model HML-80B except where noted below.		
12	Oil Burner Mounting Plate Assembly	27988
	Sight Glass Cover Plate	27982
	Sight Glass Gasket (2 per unit)	27985
	Sight Glass	27986
	Sight Glass Retainer Assembly	27987
13	Flue Connector Assembly 6" to 4" 90° Elbow	28952
	Appliance Adaptor 4" Breach to 3" Vent (CFAA43P)	28963
23	Upper Door Panel	27722L
29	Beckett Oil Burner AFII 85	29600
	Burner Motor 1/7 HP 3450 RPM PSC	28907
	Beckett Clean-cut Oil Pump A2EA6520	29688
	Solid State Ignitor FRANCE 10SAY-01	28558
	Primary Combustion Control R7184P	29649
	Air Tube Combination FBX80HGXS	28561
	Flame Retention Head (FB3)	28533
	Nozzle, .60/60°A (HML-80BB2U only)	28017

MODEL MPL 120
DIAGRAM



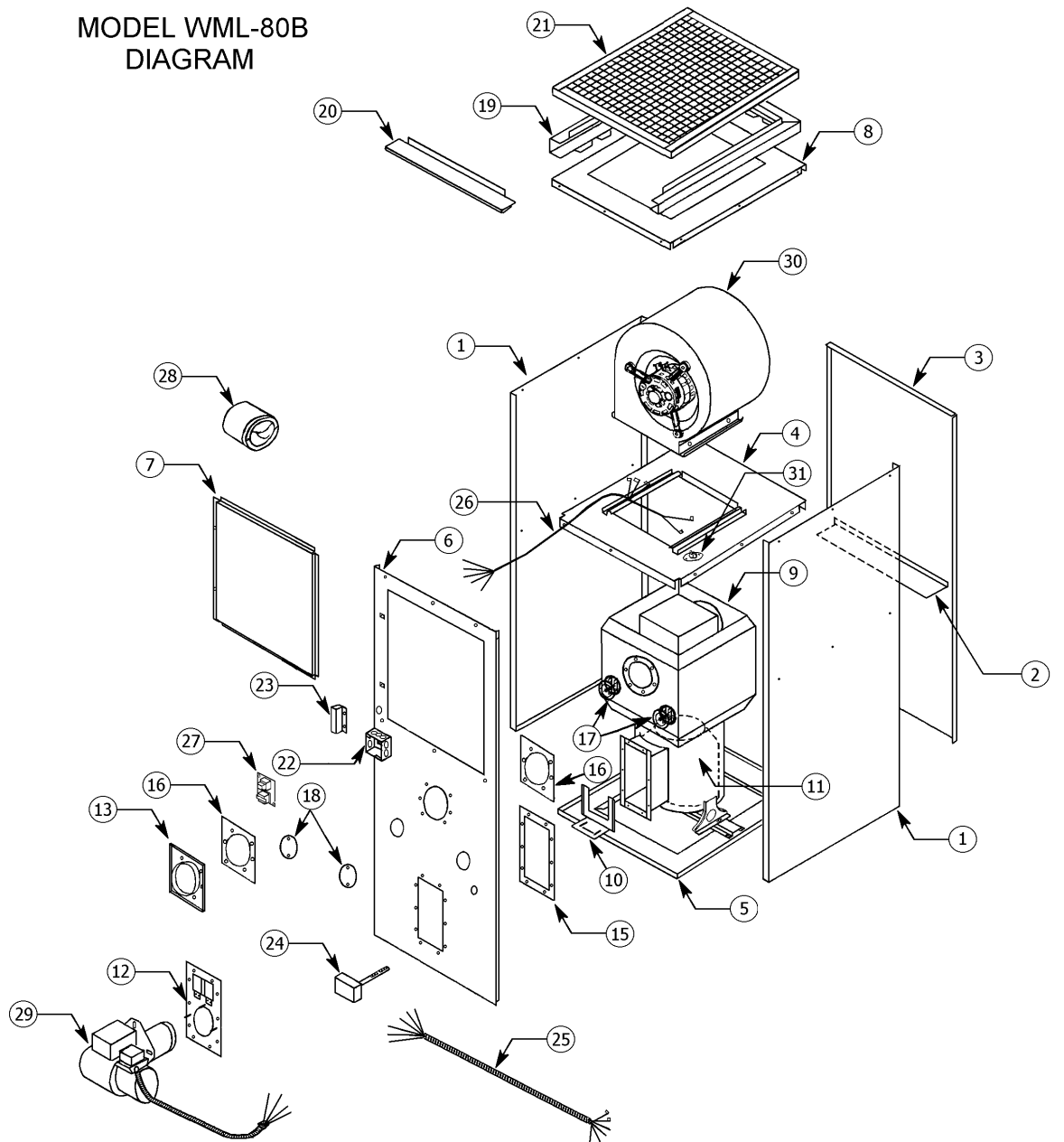
PARTS LISTING: DOWNFLOW / HORIZONTAL MODEL: MPL

Ref. No.	Description	Part No.
1	Right and Left Side Panel	26865L
2	Side Panel Heat Exchanger Support (2 per unit)	27038
3	Rear Panel	26864L
4	Blower Division Panel Assembly	26982
5	Base Heat Exchanger Support	26975
6	Front Panel	26863L
7	Blower Access Door	27005L
	Door Handle – P2-41	28673
	Logo Bezel	28479
	Logo Label	28563
8	End Panel	26862
9	Heat Exchanger Assembly	26871
10	Firepot Retainer Bracket	27068
11	Replacement Combustion Chamber	27000WP
12	Oil Burner Mounting Plate Assembly	29873
	Inspection Door Gasket Right Hand	27040
	Inspection Door Gasket Left Hand	27041
	Inspection Door Gasket Centre	27096
13	Flue Collector Assembly	1295B2
14	Flue Collector Cover	1297B2
15	Pouch Gasket	2080175
16	Flue Pipe Gasket	21994
17	Radiator Cleanout Cover Assembly	1061A
	Cleanout Cover Gasket	2080176
18	Casing Clean-out Cover	3011325A
19	Filter Frame	21260
20	Filter Frame End Support	21306
21	Air Filter – 20 x 20 x 1 (Permanent)	2180032
22	Junction Box	27039
23	Secondary Limit Control 36T01B7 200° F	27067
	Secondary Limit Control Gasket	26762
24	Fan & Limit Control L4064W 8", set @ 220° F	27022
25	Wire Harness Fan & Limit	27023
26	Wire Harness Blower Direct drive	27024
27	Fan Centre, 40 va, SPDT, 57-01V18BC4E231	27740
	Replacement Relay	27767
28	Draft Regulator 6"	12240
29	Beckett oil Burner AF76XN	27007
	Burner Motor 1/7 HP 3450 RPM PSC	29689
	Beckett Clean-cut Oil Pump A2EA6520	29688
	Solid State Ignitor FRANCE 10SAY-04	29522
	Primary Combustion Control R8184N1009	27260
	Air Tube Combination AF76XN	27610
	Flame Retention Head (MPL 80, to 120)	11961 (F3)
	Flame Retention Head (MPL 130)	12646 (F6)
	Nozzle 1.00 / 60° A (MPL 120)	27104
	Nozzle 1.10 / 70° A (MPL 130)	2100101

PARTS LISTING: DOWNFLOW / HORIZONTAL MODEL: MPL

Ref. No.	Description	Part No.
30	Blower Assembly, Complete, Direct Drive, ½ hp, 4-Speed	27010
	Blower Housing and Wheel, GT12-10 DD	17559
	Blower Wheel, GT12-10 DD	29692
	Blower Motor, ½ hp, 4-Speed	26088
	Motor Mounting Band – TR6884B	17811
	Motor Mount Arms – 12-12 DD Blower (3 per unit)	17812
	Motor Run Capacitor, 10 mfd @ 370 vac	27743
	Capacitor Strap	27760
	Capacitor Insulator	27769
	Rear Blower Mounting Angle	27028
Side Blower Mounting Angle	27029	
31	Auxiliary Limit 60T11 L130	27021

MODEL WML-80B
DIAGRAM



PARTS LISTING: DOWNFLOW / HORIZONTAL MODEL: WML - 80B

Ref. No.	Description	Part No.
1	Right and Left Side Panel	29008L
2	Rear Panel Baffle	27918
3	Rear Panel	29009L
4	Blower Division Panel Assembly	29012
5	Base Panel Assembly	29007
6	Front Panel	29010L
7	Blower Access Door	29016L
	Door Handle – P2-41	28673
	Logo Bezel	28479
	Logo Label	28563
8	End Panel	29013L
9	Heat Exchanger Assembly	27876
10	Firepot Retainer Bracket	27068
11	Replacement Combustion Chamber	2700WP
12	Oil Burner Mounting Plate Assembly	27033
	Inspection Door Gasket Right Hand	27040
	Inspection Door Gasket Left Hand	27041
	Inspection Door Gasket Centre	27096
13	Flue Pipe Connecting Flange	29005
15	Pouch Gasket	2080175
16	Flue Pipe Gasket (2 per Unit)	21994
17	Radiator Cleanout Cover Assembly	1061A
	Cleanout Cover Gasket	2080176
18	Casing Clean-out Cover	3011325A
19	Filter Frame	21260
20	Filter Frame End Support	21306
21	Air Filter – 20 x 20 x 1 (Permanent)	2180032
22	Junction Box	21318
23	Channel Wire Retainer	29017
24	Fan & Limit Control L4064W 8", set @ 250° F	28589
25	Wire Harness Fan & Limit	29023
26	Wire Harness Blower Direct drive	29024
27	Fan Centre, 40 va, SPDT, 57-01V18BC4E231	27740
	Replacement Relay	27767
28	Draft Regulator 5"	27494
29	Beckett Oil Burner AF76BO	29028
	Burner Motor 1/7 HP 3450 RPM PSC	29689
	Beckett Clean-cut Oil Pump	29688
	Solid State Ignitor	29522
	Primary Combustion Control R8184N	27260
	Air Tube Combination AF76BO	28583
	Flame Retention Head (F0)	11960
	Nozzle 0.65 / 60° A	27491
**	Parts listed below are effective after May 1, 2003	
	Beckett Oil Burner AF76BNHS	29844
	Air Tube Combination AF76BNHS	29881
	Flame Retention Head (F3)	11961
	Nozzle 0.65 / 80° A	2100086

PARTS LISTING: DOWNFLOW / HORIZONTAL MODEL: WML - 80B

Ref. No.	Description	Part No.
30	Blower Assembly, Complete, Direct Drive, ½ hp, 4-Speed	29027
	Blower Housing and Wheel, GT10 DD	28142
	Blower Wheel, GT10 DD	26430
	Blower Motor, ½ hp, 4-Speed	26088
	Motor Mounting Band – TR6884B	17811
	Motor Mount Arms – 10-10 DD Blower (3 per unit)	26251
	Motor Run Capacitor, 10 mfd @ 370 vac	27743
	Capacitor Strap	27760
	Capacitor Insulator	27769
	Blower Slide Rail (2 per Unit)	29026
	31	Auxiliary Limit 60T11 L160° F

PARTS LISTING: LOWBOY MODEL: WML - 80B2U

Ref. No.	Description	WML 80B2U Part No.
All parts are the same as listed on the previous pages for Model WML-80B except where noted below.		
13	Replacement Combustion Chamber	27000WP
17	Oil Burner Mounting Plate Assembly	29872
	Sight Glass Cover Plate	27982
	Sight Glass Gasket (2 per unit)	27985
	Sight Glass	27986
	Sight Glass Retainer Assembly	27987
31	Beckett Oil Burner AFII 150	29602
	Burner Motor 1/7 HP 3450 RPM PSC	28907
	Beckett Clean-cut Oil Pump A2EA6520	29688
	Solid State Ignitor FRANCE 10SAY-01	28558
	Primary Combustion Control R7184P	29649
	Air Tube Combination FBX80HGXS	28561
	Flame Retention Head (FB3)	28533
	Nozzle, .60/60°A (BCL-80SB2U only)	28017

ECR International Limited – Olsen Division

P.O. Box 900, 6800 Base Line, Wallaceburg, Ontario, Canada N8A 5E5
Tel: (519) 627-0791 Fax: (519) 627-4719

P.O. Box 4729, 2201 Dwyer Avenue, Utica, New York, U.S.A., 13504
Tel: (315) 797-1310 Fax: (315) 724-9319

www.ecrltd.com