

Before Installation: READ THIS MANUAL

Installation and Operating Instruction Manual

Homeowner — Save These Instructions

Installing contractor and homeowner should read and be informed as to the proper installation and operation of this unit. The manufacturer will not be responsible for improper installation or operation.

MODEL: WC-90, 130

Manufacturer: New Yorker Boiler Co., Inc.
P.O. Box 10
Hatfield, Pennsylvania 19440-0010
(215) 855-8055

The WC is an add-on wood or coal fired boiler used to supplement the heat output of a home's oil or gas fired primary heating boiler when outdoor temperatures drop below 32°F. "Installation must be made in accordance with local ordinances which may differ from this manual."

WARNING "UNDER NO CIRCUMSTANCES SHOULD THIS UNIT BE INSTALLED ON A COMBUSTIBLE FLOOR"

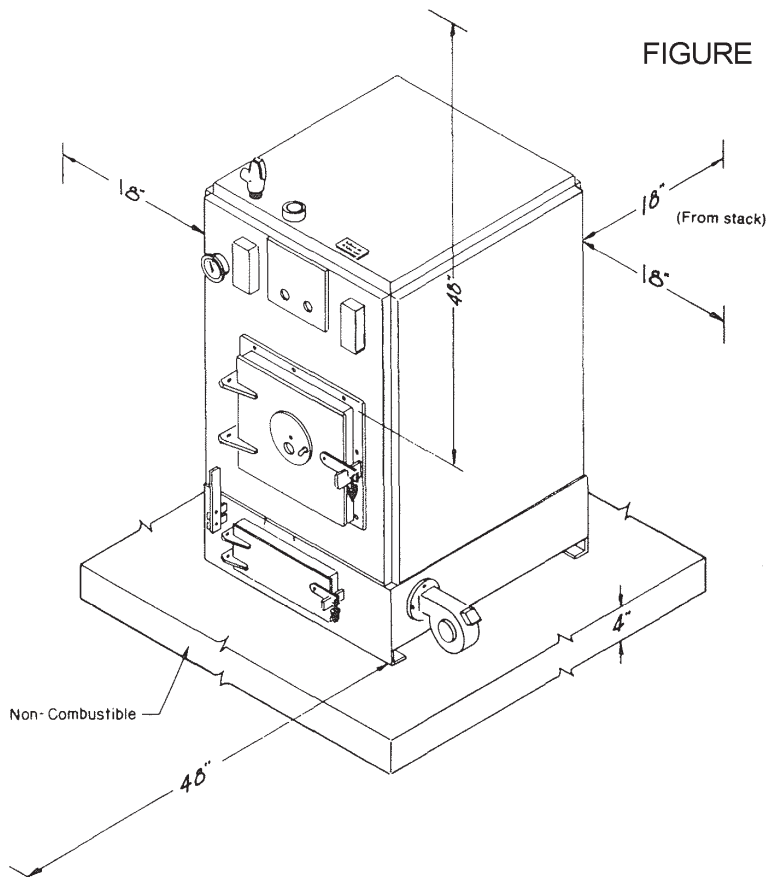
CLEARANCES
ACCORDING TO NFPA-89A

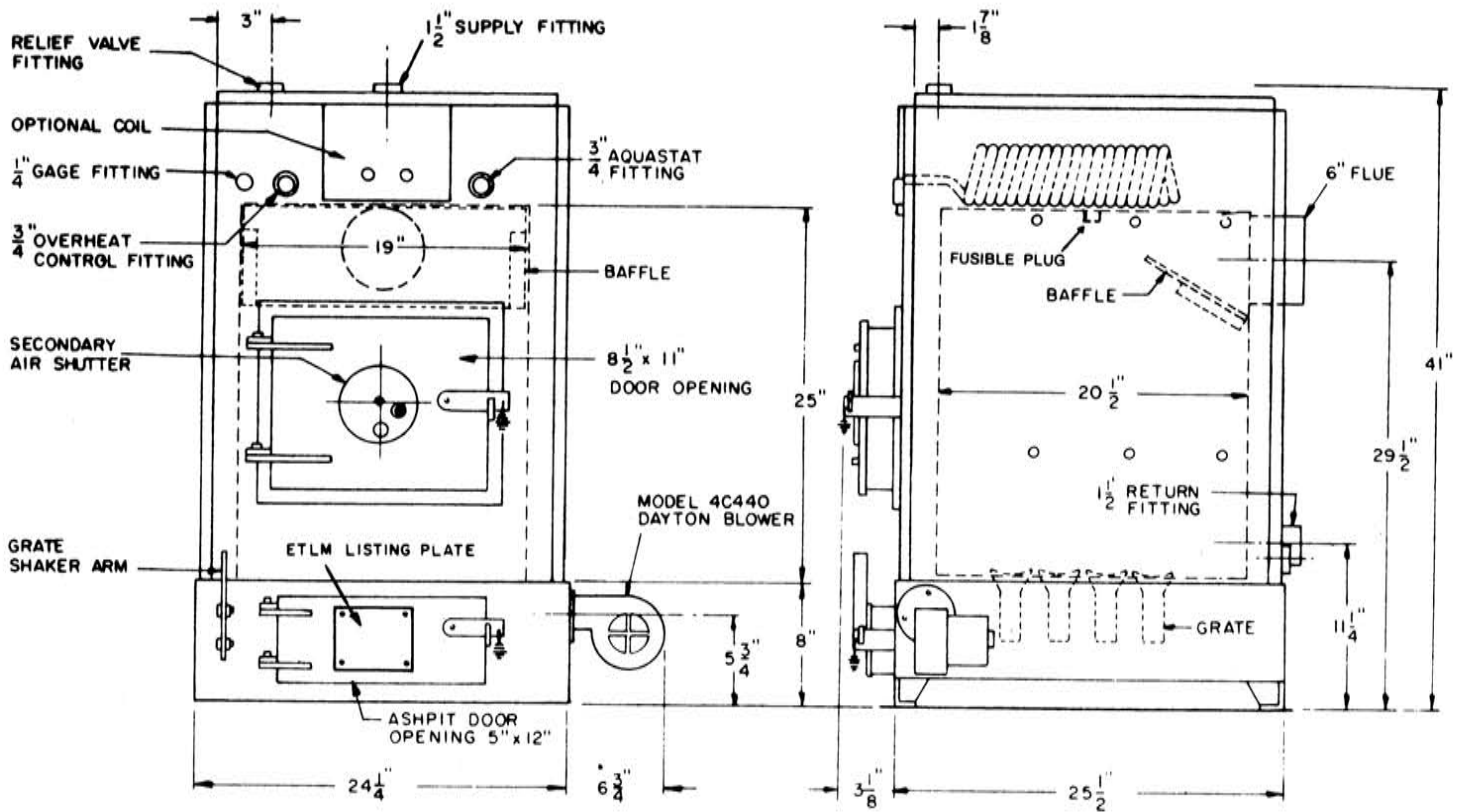
INSTALLATION

In your area a building permit may be required to install wood or coal fueled boilers. Check with local governmental bodies for specific installation and inspection requirements.

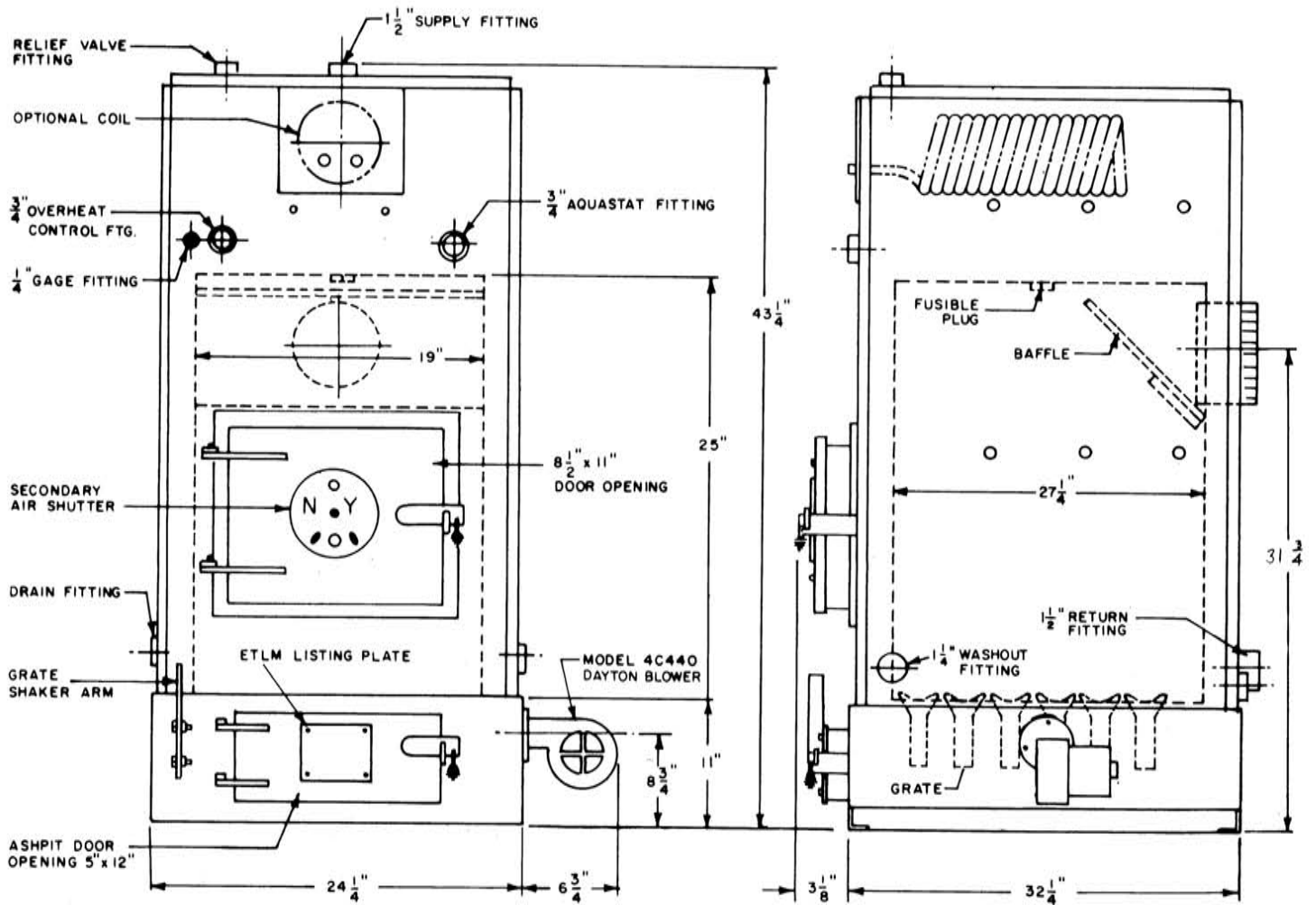
If existing chimney is to be used contact local fire chief to inspect your chimney to make sure it is suitable and safe for a wood/coal boiler.

1	48" FROM TOP OF LOADING DOOR
2	48" FROM FRONT OF BOILER
3	18" FROM BOILER REAR (STACK)
4	18" FROM BOILER SIDES





WC-90 WOOD/COAL BURNING UNIT



WC-130 WOOD/COAL BURNING UNIT

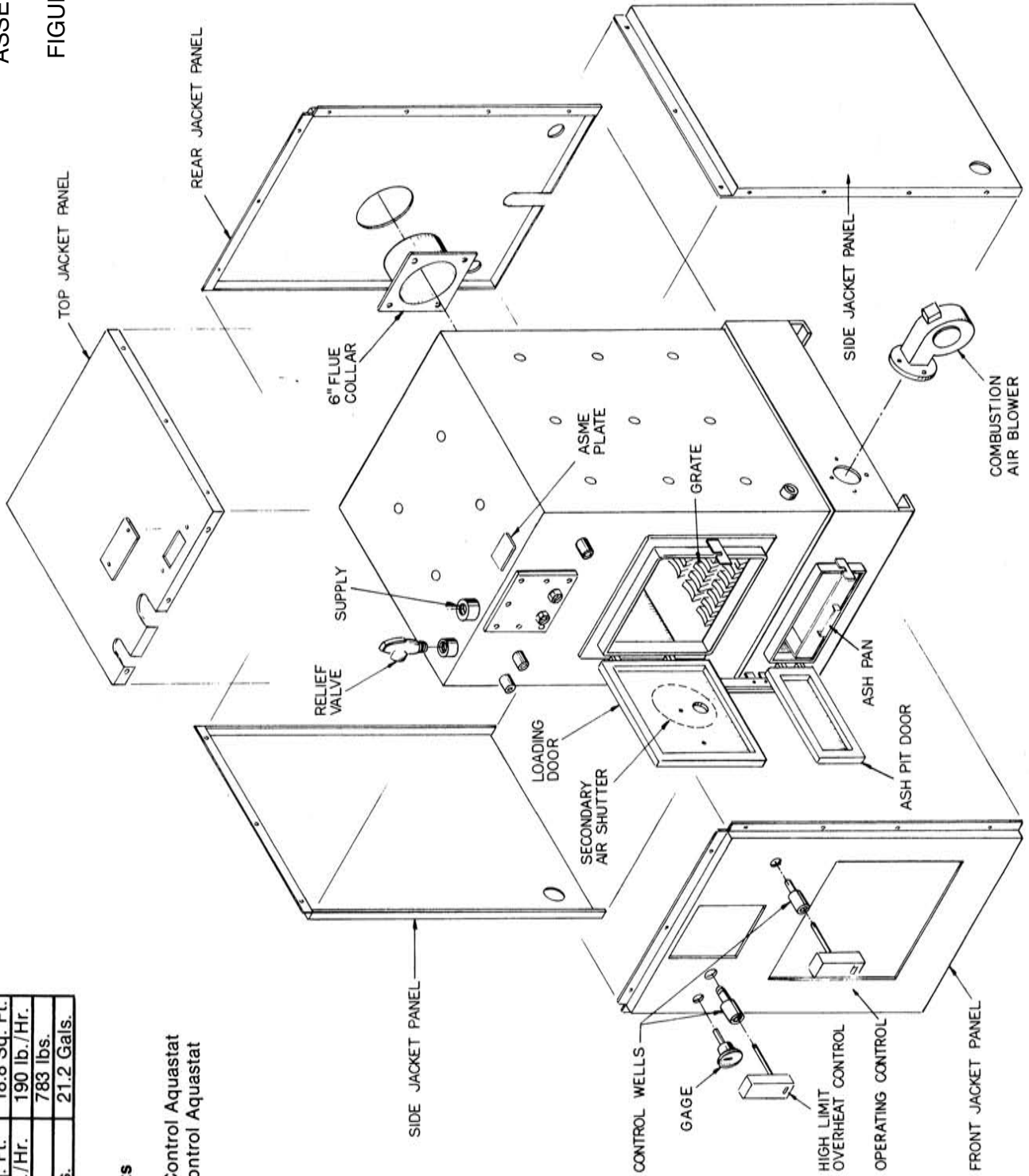
ASSEMBLY

FIGURE 2

Model WC-90	WC-130
Heating Surface 15.5 Sq. Ft.	18.8 Sq. Ft.
Relief Valve Cap. 160 lb./Hr.	190 lb./Hr.
Gross Weight 640 lbs.	783 lbs.
Water Content 17.9 Gals.	21.2 Gals.

Package — Components

- 1) Shell and Jacket
- 2) L6006A Operating Control Aquastat
- 3) L4006B Overheat Control Aquastat
- 4) Relief Valve
- 5) Drain
- 6) Gauge
- 7) Blower
- 8) Name Plate
- 9) Rating Plate
- 10) Ash Pan



LOCATION

Boiler should be located as close as possible to the chimney inlet while maintaining acceptable clearances from all combustible materials. Remember, chimneys and flue pipe do get dirty and will have to be cleaned regularly. Therefore, make sure that boiler is installed in a manner that will permit access to both flue pipe and the chimney outlet for periodic cleaning necessary to remove ash and creosote buildups on the interior surfaces. (See Figure 1)

FOUNDATION: The WC is designed for non-combustible foundations only. A 4" high, level, concrete pad on top of a non-combustible floor the size of the boiler plus the clearance dimensions is required. (See Figure 1)

WARNING DO NOT STORE OR USE FLAMMABLE LIQUIDS, ESPECIALLY GASOLINE IN THE VICINITY OF THE UNIT.

CHIMNEY

DANGER

Chimney should be built according to the National Fire Protection Association Code. The chimney should be solid masonry or reinforced concrete with fire clay flue liner extending from 8 inches below the connection or flue throat.

- 1) The wall thickness should be a minimum of four inches.
- 2) Liner thickness should be a minimum of $\frac{5}{8}$ ".
- 3) The chimney should terminate three feet above roof and two feet above any portion of any building within 10 feet.
(See Figure 3)

CHIMNEY — Masonry with fire clay liner 8" x 8" x 15' or equivalent.

FLUE PIPE

Flue pipe should be 24 gauge minimum thickness. Maximum efficiency is obtained when the pipes are straight as possible. Horizontal runs should be avoided; however, when used, the flue pipe should have $\frac{1}{4}$ " rise per foot. This pitch will allow any creosote formed in the flue pipe to return to the unit to be burned. Joints should fit tightly to eliminate entry of room air directly into the chimney. The pipe should be screwed or riveted. Furnace cement should be used to insure tightness and complete seal. In no case should the flue pipe extend through an area of the house which is unoccupied to the extent that regular inspection is not carried out. (See Figure 3)

CHIMNEY CLEANOUT

A cleanout for the chimney should be located approximately one foot below flue entrance to chimney. (See Figure 3)

BAROMETRIC CONTROL

A positive stop, solid fuel type control must be installed on the flue pipe within 24 inches of the boiler outlet in the same room as the boiler. (See Figure 3)

"UNSAFE TO ADJUST FLUE DRAFT HIGHER THAN $-.04$ " W.C."

WARNING IF $-.04$ " W.C. DRAFT SETTING IS EXCEEDED, DURING A POWER FAILURE, THE CONDITION COULD CAUSE A SOLID FUEL FIRE TO BURN OUT OF CONTROL.

RELIEF VALVE

Relief valve should be piped to a drain to prevent accidental scalding in over-pressure condition.

COMBUSTION AIR

Oxygen is necessary for combustion (burning) of wood or coal. Therefore, a minimum of 100 square inches of free air infiltration is necessary for proper operation.

NOTE WC should not be used with automatic stoker.

EXPANSION TANK

Use of wood/coal add-on boiler increases a system water volume approximately 25 gallons. Therefore, provision must be made for expansion by adding a second expansion tank to the system.
Conventional Expansion Tank Size: 24 Gallons
Diaphragm: #30 Extrol, #110 Fill-trol

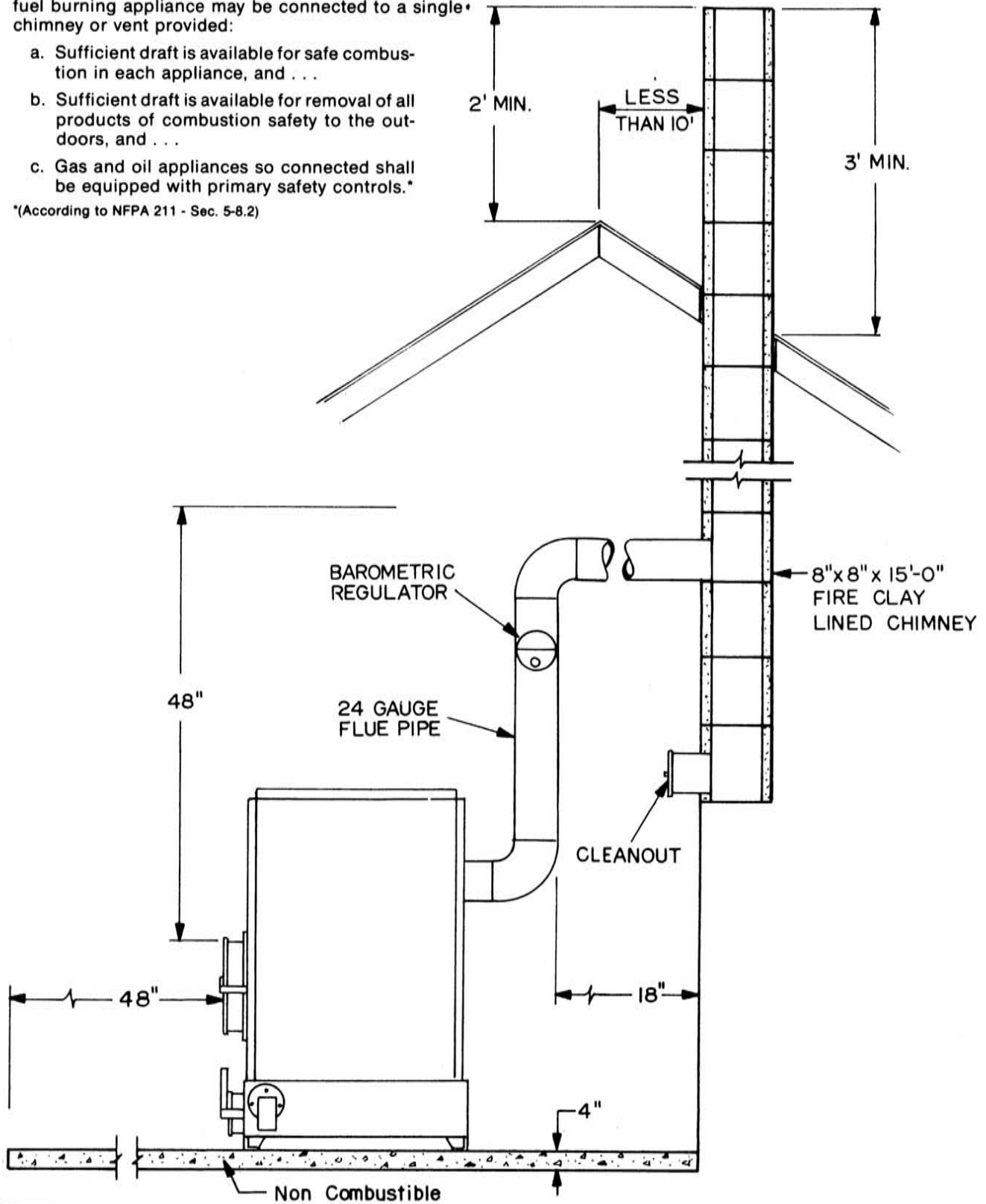
PIPING

It is recommended that the WC boiler be piped in tandem series hook-up as shown in Figure 4 and Figure 5 in order to utilize the additional water volume of the primary heating boiler.

It is recommended that a WC boiler be connected to a separate chimney. However the WC boiler and another fuel burning appliance may be connected to a single chimney or vent provided:

- a. Sufficient draft is available for safe combustion in each appliance, and . . .
- b. Sufficient draft is available for removal of all products of combustion safely to the outdoors, and . . .
- c. Gas and oil appliances so connected shall be equipped with primary safety controls.*

*(According to NFPA 211 - Sec. 5-8.2)



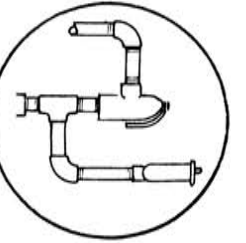
WARNING

THE WC IS DESIGNED FOR NON-COMBUSTIBLE FLOORS ONLY.

A 4" HIGH LEVEL CONCRETE PAD ON TOP OF A NON-COMBUSTIBLE FLOOR THE SIZE OF THE BOILER PLUS THE CLEARANCE DIMENSIONS REQUIRED IS REQUIRED.

FIGURE 3

AIR VENT
USED WITH
EXTROL ON
SUPPLY



TYPICAL

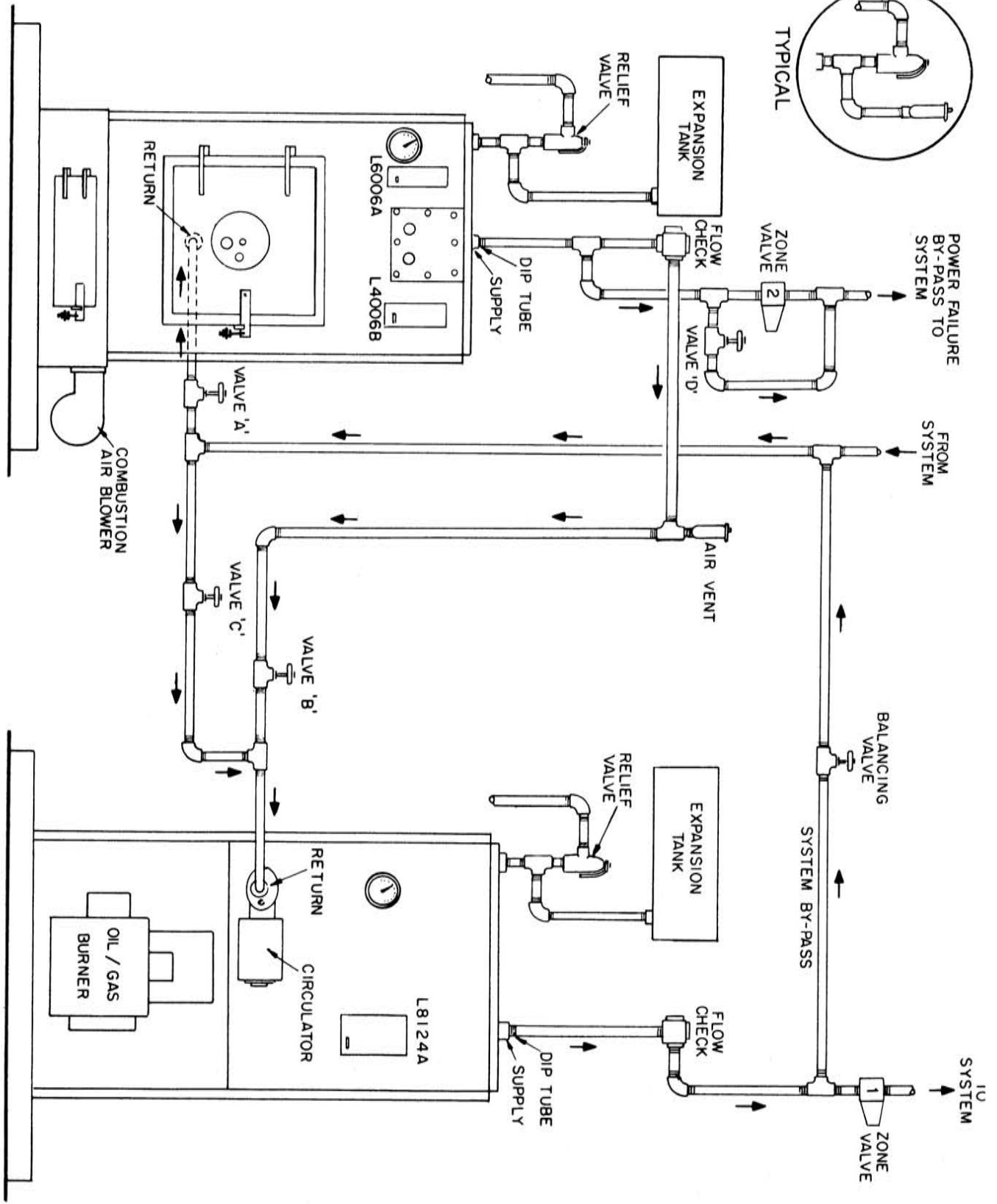


FIGURE 4 PIPING DIAGRAM — ADD ON WITH ZONE VALVES

MINIMUM PIPE SIZE-1"

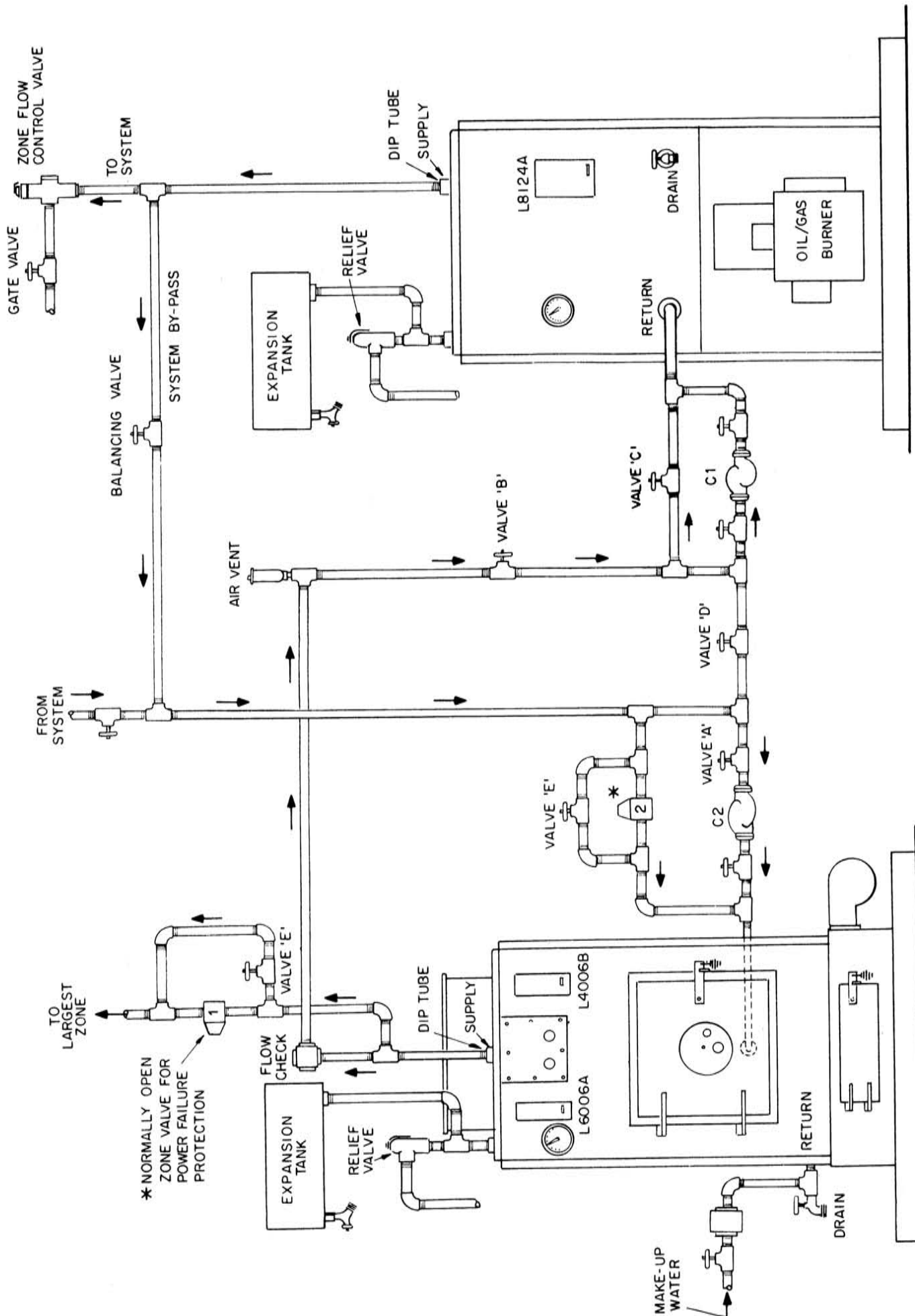
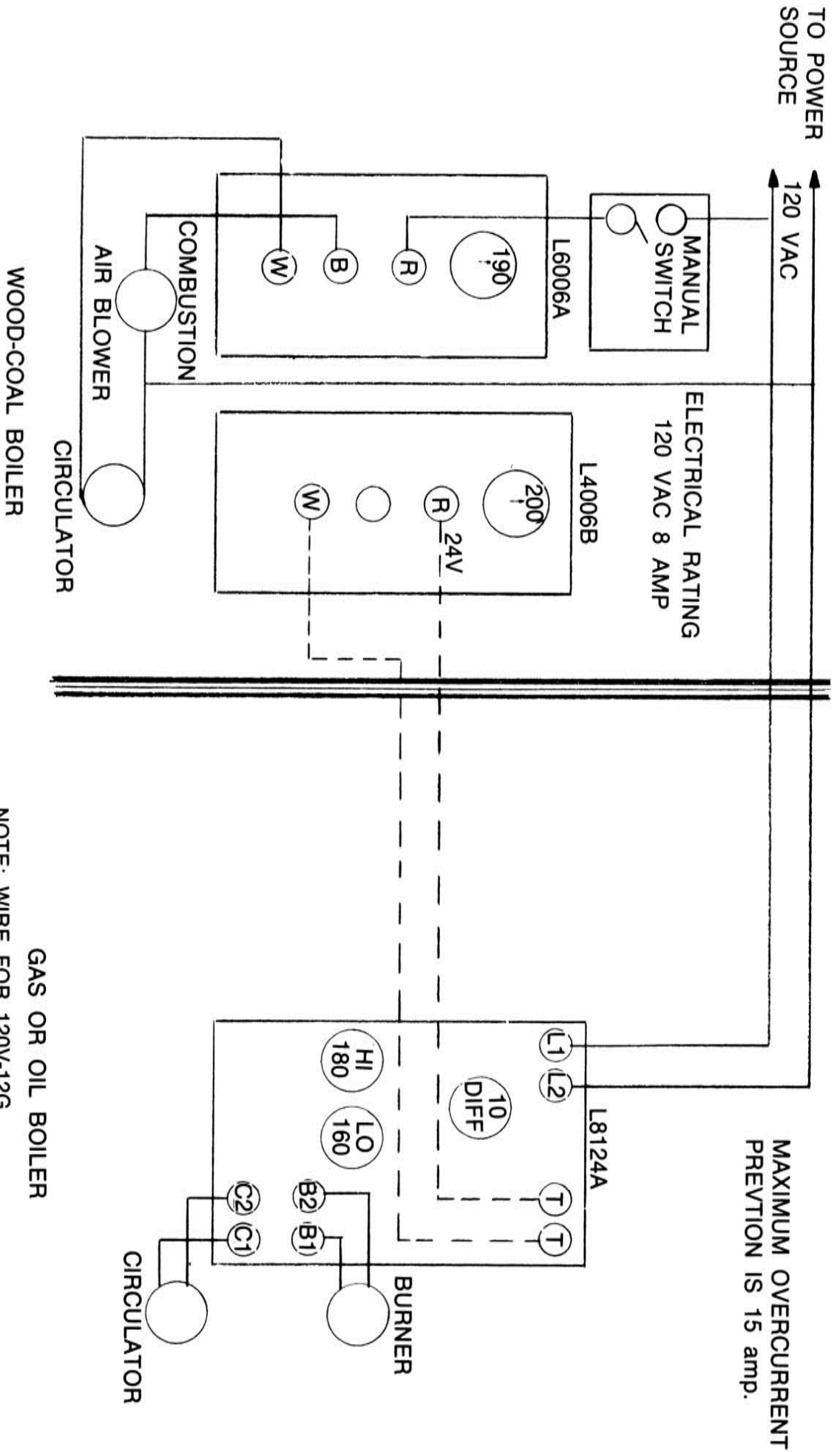
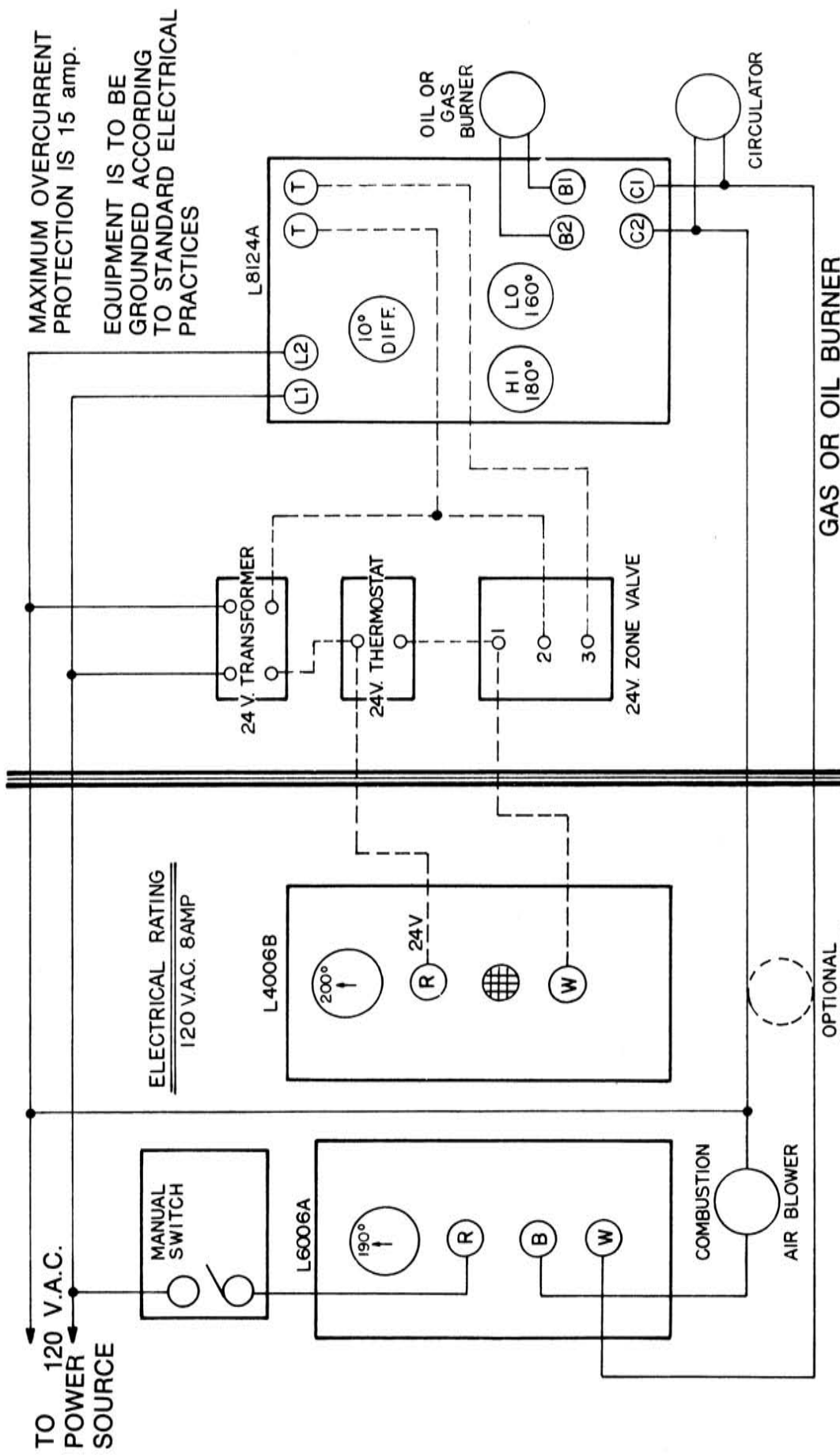


FIGURE 5 ADD ON WITH CIRCULATORS



WIRING DIAGRAM
ADD ON WITH CIRCULATOR
APPLIES TO FIGURE 5



TO 120 V.A.C. POWER SOURCE

MANUAL SWITCH

ELECTRICAL RATING
120 V.A.C. 8AMP

L4006B

200°

R

24V

24V. TRANSFORMER

24V. THERMOSTAT

24V. ZONE VALVE

01

20

30

L6006A

190°

R

B

W

COMBUSTION

AIR BLOWER

OPTIONAL CIRCULATOR

L8124A

10° DIFF.

LO 160°

HI 180°

B1

B2

C1

C2

OIL OR GAS BURNER

CIRCULATOR

GAS OR OIL BURNER

NOTE: WIRE FOR 120V-12G.
WIRE FOR 24V-18G

WIRING SHOULD CONFORM TO NATIONAL AND LOCAL ELECTRICAL CODES.
MAXIMUM OVERCURRENT PROTECTION IS 15 amp.
EQUIPMENT IS TO BE GROUNDED ACCORDING TO STANDARD ELECTRICAL PRACTICES.

WOOD-COAL BOILER

NOTE: L8124A & L6006A MUST BE ON SAME CIRCUIT TO PREVENT SHORT DUE TO COMMON USE OF C1 & C2 TERMINALS.
OPTION IS TWO CIRCULATORS.

WIRING DIAGRAM ADD ON WITH ZONE VALVES APPLIES TO FIGURE 4

SERIES ADD-ON (ZONE VALVE) PIPING EXPLANATION — See Figure 4

Add-on boiler is piped into the system in series with the oil or gas boiler. A zone valve (1) and system bypass are necessary for circulation between the boilers in order to obtain water temperatures in both units sufficient to prevent oil or gas burner from operating unnecessarily.

VALVE A, B, & C

Valve A and B are open: Valve C is closed when boiler is being used in series with the system during the heating season.

Valve A and B are closed: Valve C is open when add-on boiler is isolated from system when not needed for supplemental heat.

NOTE Coil nuts should be tightened after installation to insure proper seal of coil gasket. This gasket seal should be inspected regularly to prevent leakage and damage to the unit.

POWER FAILURE BY-PASS AND VALVE 'D'

To prevent overheat condition during power failure conditions, a normally open zone valve (2) must be used and connected to supply end of largest system zone. Also, a manual by-pass valve 'D' should be installed in case of zone valve (2) failure.

CONTROL OPERATION OF WOOD/COAL ADD-ON BOILER

L6006A — 120V

The L6006A is the operating control on the add-on boiler. A manual switch activates the control once a fire is started. (RB) — combustion air blower switch is closed and (RW) — circulator switch is open until boiler water temperature reaches set point. At set point (RB) breaks and (RW) makes allowing water to circulate between add-on and primary boiler.
(L6006A set at 190°F)

L4006B — 24V

The L4006B is the high limit-overheat control. Acting as a 24 volt switch, it will open the system zone valve (largest zone) and activate the system circulator in order to dissipate excessive heat into the system.
(L4006B set at 210°F)

OPERATION ON CALL FOR HEAT

Thermostat call for heat will open zone valve or valves and start system circulator. Oil or gas burner will not fire when wood/coal boiler is able to maintain water temperature above high limit setting on oil or gas boiler (180°F). Failure to maintain sufficient temperature will activate oil or gas burner.

COMBUSTION

Combustion consists of a complex chemical reaction between the fuel and oxygen. The combustion of wood/coal results in heat, water vapor, carbon dioxide, and other products of combustion. To assure satisfactory combustion and safe operation, several conditions must be met.

- 1) Continuous supply of oxygen.
- 2) Proper amount of fuel — not enough to cause overheating but enough to maintain a flue temperature that prevents the accumulation of creosote residues.

Therefore, complete combustion can be assured by supplying air and maintaining a sufficient heat level. Incomplete combustion results from an insufficient air supply, misapplied air or insufficient heat. Proper operation can only be achieved when the entire combustion system is maintained to operate safely and efficiently. The boiler chimney, joints and flues, must be clean and in proper working order.

CREOSOTE

When wood is burning rather slowly, the smoke usually contains a substance called creosote that collects on the combustion chamber surfaces, tubes and flue pipe. The main causes of creosote buildup are:

- 1) Wet or unseasoned wood.
- 2) Incomplete combustion.
- 3) Cool surfaces.

The best method of controlling creosote is to prevent its buildup by maintaining a briskly burning fire with dry, well seasoned wood and by maintaining a flue temperature exceeding 250°F, which will prevent creosote condensation.

WARNING Minimum pipe size for by-pass and connections between the two boilers is 1¼" and should be as short as possible to insure that system flow checks do not open with by-pass circular operation.

PIPING INSTRUCTIONS — ADD ON WITH CIRCULATORS — See Figure 5

C1 Is the primary circulator powered on a call-for heat by the oil or gas boiler controller. Also, it is activated on overheat condition by WC-L4006B control.

C2 Is the by-pass circulator between the two boilers. The circulator is powered when the WC-L6006A operating control reaches set point.

Balancing Valve: Used to insure proper flow to system zone on call for heat.

Valve "A" Open during WC operation. Closed when WC is inactive.

"B" Open during WC operation. Closed when WC is inactive.

"C" Open during WC operation. Closed when WC is inactive.

Valve "D" Close during WC operation. Open when WC is inactive.

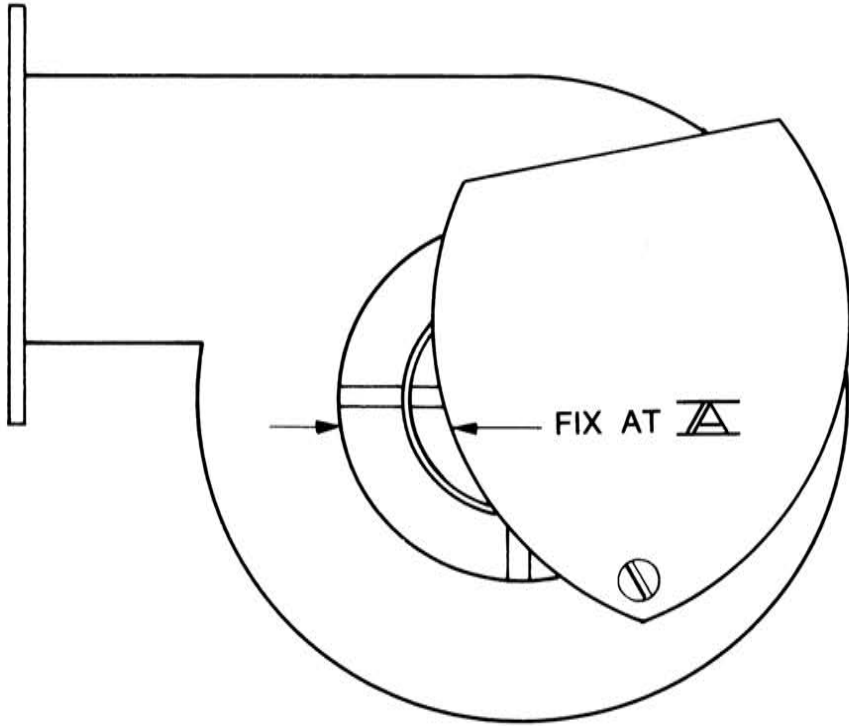
Valve "E" Closed during normal operation. Open when WC is manually operated under power failure conditions.

Z1 Is a normally open zone valve which will be open under power failure conditions and permit gravity flow to the system.

Z2 Is a normally open zone valve which will be open under power failure conditions and permit gravity flow from the system.

FIGURE 6

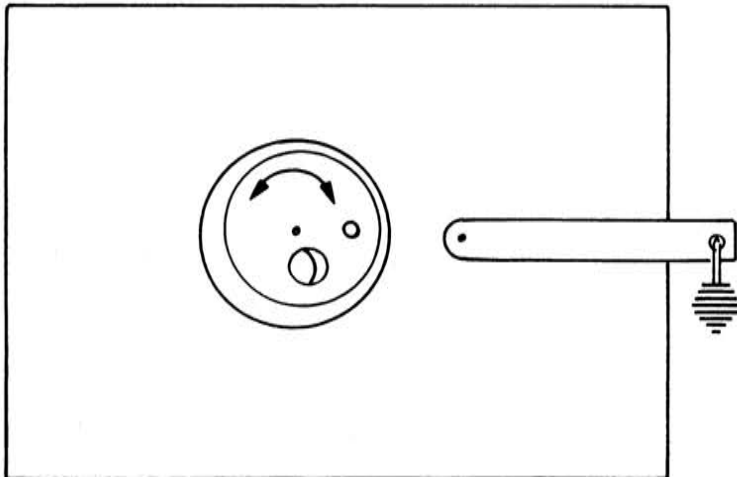
COMBUSTION AIR SHUTTER SETTING



Model	
WC-90	$3/16''$ to $1/2''$
WC-130	$1/2''$ to $1''$

FIGURE 7

COMBUSTION AIR SHUTTER ADJUSTMENT



COMBUSTION BLOWER SETTING — See Figure 6

The blower provided with the WC has a fixed air shutter on the side of the blower housing. The amount of opening adjusted on the blower directly affects the amount of combustion air provided and will affect the draft or pressure in the combustion area.

- NOTE**
- 1) WC air setting should be fixed at $\frac{1}{8}$ opening (see Figure 6). Do not alter setting without consultation with factory.
 - 2) Larger air openings will provide excessively high stack temperatures and will burn fuel rapidly and inefficiently.
 - 3) Smaller air openings will smother the fire and create dangerous creosote formation or coal gas.

CAUTION In order to prevent run away fire conditions, excessive stack temperature, or other hazardous conditions it is necessary to keep the loading and ash removal doors closed during operation of the unit. Also, all seals should be maintained for air tightness.

OVER-FUEL AIR SHUTTER ADJUSTMENT — See Figure 7

Over-fuel air shutter should be adjusted to an open position to burn coal or wood gases which develop above the full bed immediately following full loading of the unit. Close gradually as gases are burnt off.

WOOD FIRING

- 1) Ball up single sheets of newspaper and loosely stack paper balls and wood kindling.
- 2) Light the paper with a match and close the loading door.
- 3) Manually switch electrical power to the wood boiler operating control which will then activate the combustion air blower.
- 4) Allow several minutes for the kindling wood to ignite, turn off blower, carefully open loading door and gradually add split logs to the suggested load level.
- 5) Switch on blower. Open air shutter over fuel bed slightly to relieve accumulated gases.
- 6) Adjust barometric regulator to a maximum of $-.04''$ water column.

CAUTION Care should be taken when opening the loading door to prevent possible flash-back of accumulated gases. This can be prevented by unlocking and opening the loading door very slowly. Never open loading door with manual switch in open position. Blower should not be operating with loading door open.

COAL FIRING

- 1) Follow the steps outlined to establish an operating wood fire.
- 2) Allow wood to burn to red-coal condition.
- 3) Turn off blower and spread a thin, loose, layer of anthracite coal. Close door and turn on blower.
- 4) Allow several minutes of blower operation to ignite coal.
- 5) Then turn off blower and gradually spread layers of coal to eventually reach suggested bed level. Open over-fuel bed air shutter slightly to prevent gas accumulation in combustion chamber.

CAUTION Care should be taken when opening loading door to prevent possible flash-back of accumulated gases. This can be prevented by unloading and opening loading door very slowly. Never open loading door with manual switch in open position. Blower should not be operating with loading door open.

LOAD LEVEL

Wood-stacked loosely to middle of loading door height. Approximately 60 lbs. for WC-90, 80 lbs. for WC-130.

Coal-Maximum bed height to lower edge of loading door. Approximately 40 lbs. for WC-90, 60 lbs. for WC-130.

CAUTION Load Carefully or Damage Will Result
Do Not Burn Garbage, Gasoline, Naphtha or Engine Oil.

OPERATION OF BOILER UNDER POWER FAILURE CONDITIONS

Manually open all zone valves and flow check valves to permit gravity circulation through the system. Light a small fire, approximately $\frac{1}{4}$ to $\frac{1}{2}$ of normal load and adjust the combustion air blower shutter and over fuel air shutter to attain proper burning conditions. Do not expect to maintain maximum comfort conditions under power failure situations.

CAUTION Care must be taken to prevent overheating of the boiler.

PROCEDURE TO FOLLOW IN CASE OF A RUNAWAY FIRE

- 1) Shut off combustion air blower — close or cover all air shutters.
- 2) Increase thermostats to maximum setting. Open all zone valves.
- 3) Open barometric damper wide.

CAUTION "Do not shut off power because circulation is needed to dissipate heat."
"Excessive heat caused by extreme over-firing may cause relief valve to blow off water."

SHAKING

It is not necessary nor desirable to shake grates each time you refuel fire. Shake only when necessary to make room for more coal or to clear grates of excessive ashes that may have accumulated since previous shaking. Use a few short strokes of the shaker handle until first red glow appears in ash pit. STOP shaking when you see red glow in ash pit. This method will assure you that some ashes will be left on top of grates. If hot fire is allowed to contact the grates for extended periods of time, they may warp or burn out, so it is important to always carry a layer of ashes on grates.

NOTE Shake bar extension can be easily fabricated by using a short length of one inch pipe with one end capped. (See Figure 8)

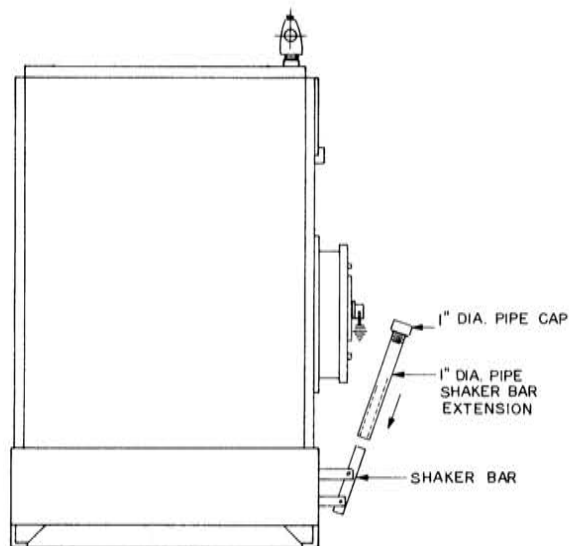


FIGURE 8 SHAKER BAR EXTENSION - FABRICATION

REMOVE ASHES

It is necessary that ashes be removed from ash pit on a daily basis and should never be allowed to accumulate high enough to come in contact with grates. Such a condition could cut off necessary air circulation and could also result in a warping or burnout of grates.

DISPOSAL OF ASHES

Store ashes in a non-combustible metal container with tight fitting lid. The closed container should be placed on a non-combustible floor or on the ground well away from all combustible materials pending final disposal.

WOOD

Burn dry and well seasoned hardwood. Season wood at least six months, preferably a year to eighteen months. Seasoned wood will often show cracks radiating outward from the heartwood toward the bark like wheel spokes. Wood should be split in quarters and be approximately 18" in length.

COAL

Stove grade anthracite coal. Chestnut size is preferable; however, pea size coal is acceptable.

STORAGE OF FUEL

Wood and coal fuel should be stored in a dry location maintaining the required clearances from combustible materials. The storage area must be located at least 48" from loading door and 18" from rear and sides of the boiler.

IF A CHIMNEY FIRE OCCURS

- 1) Call your local fire department immediately.
- 2) Close all openings, combustion air blower shutter, and draft controls on the boiler.
- 3) If the fire burns vigorously, squirt a multipurpose (ABC) dry chemical extinguisher or throw baking soda onto the fire. The chemicals will travel up the chimney and may extinguish the fire. If possible, avoid introducing water into the chimney. The water could damage relatively brittle heated flue liner.

NOTE

The burning of creosote and other deposits results in a very intense fire, roaring noise, and flames and sparks from the top of the chimney. Any chimney can be weakened or deformed by a chimney fire. The complete chimney should be inspected after a fire and any repairs should be made before restarting the boiler.

FIRE EXTINGUISHERS AND DETECTORS

In addition to the extinguishers already in the home, a multipurpose fire extinguisher should be installed near the boiler. For additional protection in case of a fire, equip your home with an early warning fire detection system.

MAINTENANCE

Cleaning Boiler

During operating season, the boiler should be cleaned weekly. Failure to keep surfaces clean of soot, ash and creosote will markedly reduce the efficiency of the boiler. Also, the accumulation of soot and creosote provides the conditions for flue and chimney fires.

Cleaning Procedure

- 1) Turn off power, make sure fire is out and allow ashes to cool.
- 2) Vacuum all loose ash from combustion area.
- 3) Brush flue pipe and flue baffle.
- 4) Clean walls of firebox and empty all debris from ash pan.
- 5) Reverse procedure in preparation for firing.

NOTE: Addition of boiler sealant will damage boiler and void warranty.

BLOWER: Blower motor should be oiled according to instructions of blower manufacturer.

COIL GASKET: Coil gasket should be inspected regularly to insure proper seal.

RELIEF VALVE: Relief valve should be tested yearly at the beginning of the heating season. The valve should be tested by operating the hand lever. Observe valve closely after test to be sure they are closing tightly and do not drip.

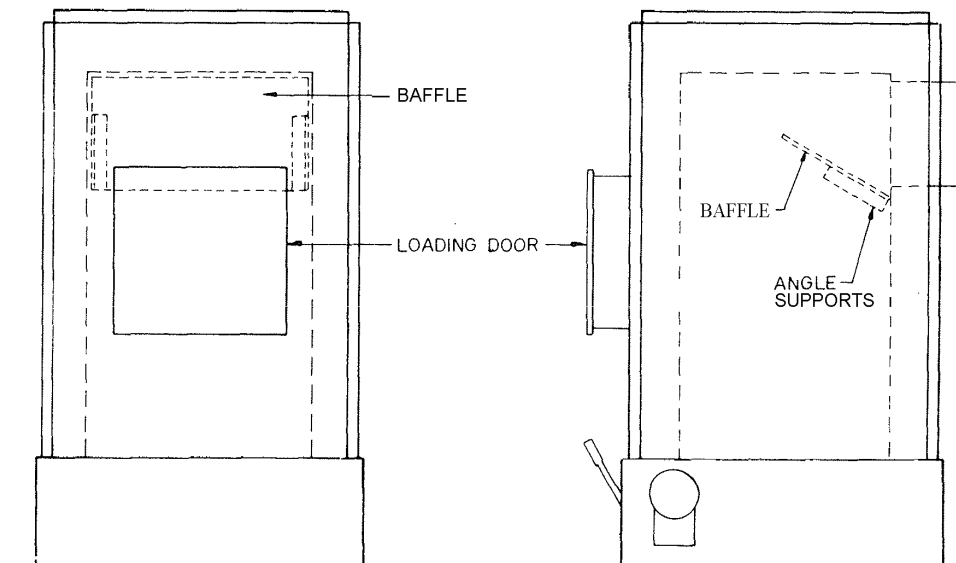


FIGURE 9

Water Side

Boiler water legs and tube sheet should be flushed yearly to prevent the accumulation of scale or sludge. Refill boiler immediately after flushing, boil the water or heat it to at least 180°F immediately to dissolve gases. Add boiler water treatment chemicals when necessary to prevent internal scaling or corrosion, and maintain pH higher than 7 but lower than 9.

INTERNAL BAFFLE INSPECTION

The internal flue baffle should be inspected periodically for damage or deterioration. To insure proper operation of the boiler, a non functioning baffle should be replaced. See Figure 9.

SMOKE PIPE INSPECTION

The smokepipe should be inspected on a regular basis during the heating season.

Whenever possible the smoke pipe should be dismantled and cleaned out.

The smoke pipe should be carefully examined for defects such as corrosion, seams coming apart, etc.

If any defects are noticed, the pipe should be replaced.

DANGER

CHIMNEY INSPECTION

The interior of the chimney flue should be inspected periodically throughout the heating season for soot and creosote buildup.

This can be quite easily done with a mirror, providing the chimney has a clean-out and it goes straight up.

If it does, the mirror can be placed in the cleanout opening and when positioned just right, you should be able to see all the way up to the top of the chimney, providing the chimney is not plugged. You will be able to see whether or not the chimney needs cleaning.

If it does, it is suggested that you get professional assistance.

If the chimney doesn't have a cleanout at the base, one should be installed. If the chimney has an offset in it, a draft gauge can be used to determine its condition. Again it is suggested that you get professional assistance regarding this.

CARE OF IDLE BOILER

Since the WC boiler is intended to be used only during the coldest period of the year as a supplemental heat source, the boiler will lie idle during the warmer months. To eliminate the possibility of corrosion of the boiler and related parts, a very stringent maintenance program must be followed.

Fire Side

Immediately following the last firing of the unit when the boiler is cool, clean the tubes and other heating surfaces thoroughly and scrape down to clean metal. Clean the smoke box, ash box, and other areas where soot or scale may accumulate. Soot, ash, and creosote can be very corrosive when damp, therefore, it is necessary to remove all the residue from a boiler at the beginning of the nonoperating season or any extended nonfiring period.

It is advisable to keep the loading door, ash pit door and smoke hood open so that there is good air circulation to reduce the possibility of moisture accumulation. Note: Manual flue damper should be in closed position.

Swab the heating surface with neutral mineral oil to protect against rust.

Further precaution should be taken if boiler room is damp. Place a tray of calcium chloride, slaked lime, quicklime, or silica gel in the combustion chamber to absorb any moisture. An alternative is to place a light bulb in the chamber area to maintain a warm and dry environment in the boiler.

LOW WATER CUT OFF (LWCO)

WARNING

DO NOT ATTEMPT to cut factory wires to install an aftermarket Low Water Cut Off (LWCO). Only use connections specifically identified for Low Water Cut Off.

In all cases, follow the Low Water Cut Off (LWCO) manufacturer's instructions.

When

A low water cutoff is required to protect a hot water boiler when any connected heat distributor (radiation) is installed below the top of the hot water boiler (i.e. baseboard on the same floor level as the boiler). In addition, some jurisdictions require the use of a LWCO with a hot water boiler.

Where

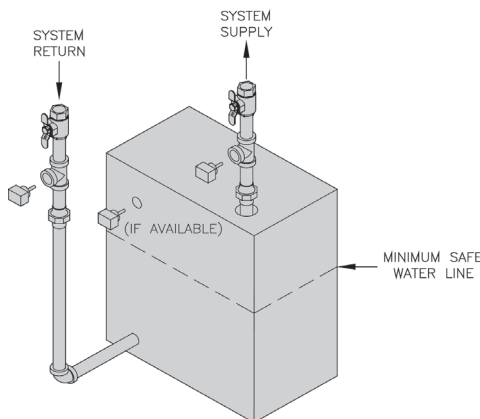
The universal location for a LWCO on both gas and oil hot water boilers is above the boiler, in either the supply or return piping. The minimum safe water level of a water boiler is at the uppermost top of the boiler; that is, it must be full of water to operate safely.

What Kind

Typically, in residential applications, a probe type LWCO is used instead of a float type, due to their relative costs and the simplicity of piping for a probe LWCO.

How to Pipe

A “tee” is commonly used to connect the probe LWCO to the supply or return piping, as shown below.



LWCO Location

Select the appropriate size tee using the LWCO manufacturer's instructions. Often, the branch connection must have a **minimum** diameter to prevent bridging between the probe and the tee. Also, the run of the tee must have a minimum diameter to prevent the end of the probe from touching or being located too close to the inside wall of the run of the tee. Ideally, manual shutoff valves should be located above the LWCO and the boiler to allow for servicing. This will allow probe removal for inspection without

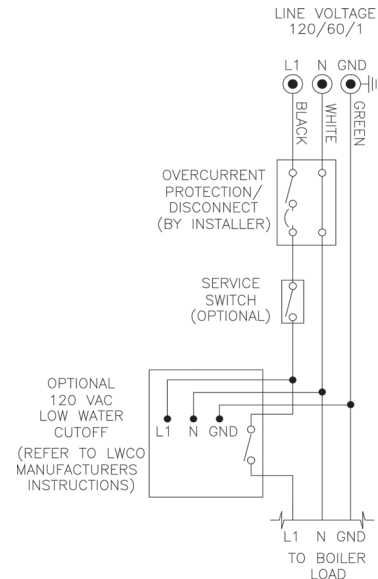
draining the heating system. Many probe LWCO manufacturers recommend an annual inspection of the probe.

How to Wire

LWCO's are available in either 120 VAC or 24 VAC configurations. The 120 VAC configuration can be universally applied to both gas and oil boilers by wiring it in the line voltage service to the boiler (after the service switch, if so equipped).

The presence of water in a properly installed LWCO will cause the normally open contact of the LWCO to close, thus providing continuity of the 120 VAC service to the boiler.

It is recommended to supply power to the probe LWCO with the same line voltage boiler service as shown below.



Wiring of Typical LWCO

A 24 VAC LWCO is used primarily for gas fired boilers where a 24 volt control circuit exists within the boiler. However, a 24 VAC LWCO can only be used if the boiler manufacturer has provided piping and wiring connections and instructions to allow for this application.

How to Test

Shut off fuel supply. Lower water level until water level is BELOW the LWCO. Generate a boiler demand by turning up thermostat. Boiler should not attempt to operate. Increase the water level by filling the system. The boiler should attempt to operate once the water level is above the LWCO.

Limited Warranties

For Residential Cast Iron and Steel Water Boilers

By this Warranty Statement New Yorker Boiler Co., Inc. ("New Yorker"), issues limited warranties subject to the terms and conditions stated below. These limited warranties apply to residential cast iron and steel water boilers labeled with the New Yorker® brand which are sold on or after March 1, 2004.

ONE YEAR LIMITED WARRANTY

One Year Limited Warranty for Residential Water Boilers New Yorker warrants to the original consumer purchaser at the original installation address that its residential cast iron and steel water boilers will be free from defects in material and workmanship under normal usage for a period of one year from the date of original installation. In the event that any defect in material or workmanship is found during the one year period following the date of installation, New Yorker will, at its option, repair the defective part or provide a replacement free of charge, F.O.B. its factory.

FIVE YEAR LIMITED WARRANTY

Five Year Pressure Vessel Limited Warranty for WC™ Residential Water Boilers New Yorker warrants to the original consumer purchaser at the original installation address that the pressure vessel of the boiler will be free of defects in material and workmanship under normal usage for a period of five years following the date of installation. In the event that any defect in material or workmanship is found during the five year period following the date of installation, New Yorker will, at its option, repair the defective pressure vessel or provide a replacement free of charge, F.O.B. its factory.

LIFETIME LIMITED WARRANTY

Lifetime Pressure Vessel Limited Warranty for AP-U™, FR™, S-APT™, microTEK3™, microTEKDVT™, CLW™, CG-A™, and Pvcg™ Residential Water Boilers New Yorker warrants to the original consumer purchaser at the original installation address that the pressure vessel component of the boiler will be free of defects in material and workmanship under normal usage for the lifetime of the original consumer purchaser. In the event that any defect in material or workmanship is found during the ten year period following the date of installation, New Yorker will, at its option, repair the defective pressure vessel or provide a replacement free of charge, F.O.B. its factory. In the event that any defect in material or workmanship is found after the tenth year following the date of installation, New Yorker will provide a replacement pressure vessel upon payment by the original consumer purchaser of an amount equal to a percentage of the then current retail price of the model boiler involved (or, in the event that such model is not in production, the most comparable model then in production), as follows:

Years In Service	11th	12th	13th	14th	15th	16th	17th	18th
Consumer Purchaser Pays	5%	10%	15%	20%	25%	30%	35%	40%
Years In Service	19th	20th	21st	22nd	23rd	24th	25th and beyond	
Consumer Purchaser Pays	45%	50%	55%	60%	65%	70%	75%	

EXCEPTIONS AND EXCLUSIONS

1. Components Manufactured by Others Following the expiration of the foregoing one year limited warranty, all component parts of a boiler which are manufactured by others (such as burners, burner controls, circulator, tankless water heater, and New Yorker Link) shall be subject only to the manufacturer's warranty, if any.

2. Removal and Replacement Costs These warranties do not cover expenses of removal or reinstallation. The consumer purchaser will be responsible for the cost of removing and replacing any defective part and all labor and related materials connected therewith. Replacement parts will be invoiced to the distributor in the usual manner and will be subject to adjustment upon proof of defect.

3. Proper Installation These warranties are conditioned upon the installation of the boiler in strict compliance with New Yorker's Installation, Operating and Service Instructions. New Yorker specifically disclaims any liability of any kind which arises from or relates to improper installation.

4. Improper Use or Maintenance These warranties will not be applicable if the boiler is used or operated over its rated capacity, is installed for uses other than home heating, or is not maintained in accordance with New Yorker's Installation, Operating and Service Instructions and hydronics industry standards.

5. Improper Operation These warranties will not be applicable if the boiler has been damaged as a result of being improperly serviced or operated, including but not limited to the following: operated with insufficient water; allowed to freeze; subjected to flood conditions; or operated with water conditions and/or fuels or additives which cause unusual deposits or corrosion in or on the pressure vessel or associated controls.

6. Geographic Limitations These warranties apply only to boilers installed within the 48 contiguous United States.

7. Installation Requirements In order for these warranties to be effective:

- The boiler must be installed in a single or two-family residential dwelling. This warranty does not apply to boilers installed in apartments or for commercial or industrial applications.
- The boiler must be installed in strict compliance with New Yorker's Installation, Operating and Service Instructions by an installer regularly engaged in boiler installations.
- Boiler sections must not have been damaged during shipment or installation.
- The boiler must be vented in accordance with chimney recommendations set forth in New Yorker's Installation, Operating and Service Instructions.

8. Exclusive Remedy New Yorker's obligation in the event of any breach of these warranties is expressly limited to the repair or replacement of any part found to be defective under conditions of normal use.

9. Limitation of Damages Under no circumstances will New Yorker be liable for incidental, indirect, special or consequential damages of any kind under these warranties, including, without limitation, injury or damage to persons or property and damages for loss of use, inconvenience or loss of time. New Yorker's liability under these warranties shall under no circumstances exceed the purchase price paid for the boiler involved. Some states do not allow the exclusion or limitation of incidental or consequential damages, so the above limitation or exclusion may not apply to you.

10. Limitation of Warranty These limited warranties are given in lieu of all other express warranties and set forth the entire obligation of New Yorker with respect to any defect in a residential water boiler. New Yorker shall have no express obligations, responsibilities or liabilities of any kind, other than those set forth herein.

ALL APPLICABLE IMPLIED WARRANTIES, IF ANY, INCLUDING ANY WARRANTY OF MERCHANTABILITY OR FITNESS FOR A PARTICULAR PURPOSE, ARE EXPRESSLY LIMITED IN DURATION TO A PERIOD OF ONE YEAR, EXCEPT THAT IMPLIED WARRANTIES, IF ANY, APPLICABLE TO THE PRESSURE VESSEL OF A RESIDENTIAL WATER BOILER SHALL BE LIMITED IN DURATION TO THE LESSER OF THE DURATION OF SUCH IMPLIED WARRANTY OR A PERIOD EQUAL TO THE TERM OF THE APPLICABLE EXPRESS WARRANTY. Some states do not allow limitations on how long an implied warranty lasts, so the above limitation may not apply to you.

PROCEDURE FOR OBTAINING WARRANTY SERVICE

Upon discovery of a condition believed to be related to a defect in material or workmanship covered by these warranties, the original consumer purchaser should notify the installer, who will in turn notify the distributor. If this action is not possible or does not produce a prompt response, the original consumer purchaser should write to New Yorker Boiler Co., Inc. at P.O. Box 10, Hatfield, PA 19440-0010, giving full particulars in support of the claim.

The original consumer purchaser is required to make available for inspection by New Yorker or its representative the parts claimed to be defective and, if requested by New Yorker, to ship those parts prepaid to New Yorker at the above address for inspection or repair. In addition, the original consumer purchaser agrees to make all reasonable efforts to settle any disagreement arising in connection with any warranty claim before resorting to legal remedies in the courts.

THIS WARRANTY GIVES YOU SPECIFIC LEGAL RIGHTS AND YOU MAY ALSO HAVE OTHER RIGHTS WHICH VARY FROM STATE TO STATE.

