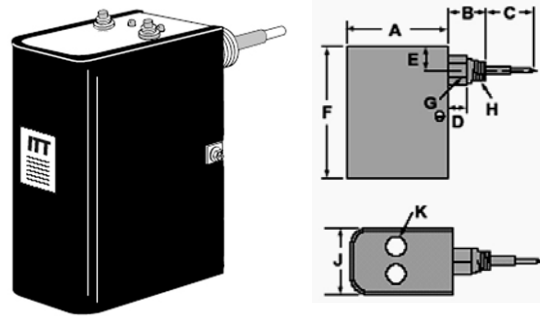


# McDonnell-Miller PS-801 & PS-802 Low Water Cut-Offs

## PS-800 Features:

- Electronic operation: For residential & commercial low-pressure steam boilers (up to 15 psig).
- Self-cleaning probes prevent lime build-up for 5 years!
- 24 volt (Model PS-802) or 120 volt (Model PS-801)AC.
- User friendly diagnostic:
  - Red LED — Low water and shorted probe
  - Green LED — Power and testing function
- Probe sensitivity to 7,000 ohms
- No lock-out with loss of power if probe is in water
- 15-second Delay on Make feature
- 10-second Delay on Break feature
- No blow-down of control needed when directly mounted into the boiler tappings
- Test button is standard on all models
- Options available include:
  - Manual reset (Do not use with automatic water feeder)
  - Extended barrel, remote and short probe models
- Power consumption at 1.7 VA
- Provisions to add alarm or automatic water feeder. Do not use Manual Reset models with an automatic water feeder.
- Maximum steam pressure, 15 psi
- Maximum water temperature, 250° F.
- Maximum ambient temperature, 120° F.

PS-800 designed for low pressure Steam Boilers



Now with Self-Cleaning Probes!

Dimensions of PS-800 Series (inches)

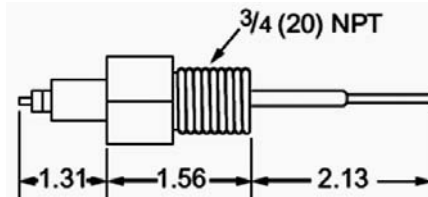
A	B	C	D	E	F	G	H	J	K
4¼	See probes below	3/4	13/16	5-13/16	1¾	See probes below	27/8	7/8	

Electrical Ratings for PS-800 series, Ampere ratings			
Voltage	Full Load	Locked Rotor	Pilot Duty
24VAC	—	—	50VA @ 24VAC
120VAC or 240VAC	7.5 or 3.75	43.2 or 21.6	125VA @ 120 or 240V

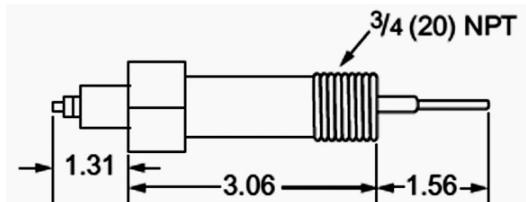
PS-801 and PS-802 Low Water Cut-Offs		
Model No.	Description	Order No.
<b>120 Volt Models</b>		
PS-801-120	Automatic reset low water cut-off	MH1172
PS-801-M-120	Manual reset low water cut-off	MH1172A
PS-801-U-120	Automatic reset and extended barrel	MH1172B
PS-801-M-U-120	Manual reset and extended barrel	MH1172C
<b>24 Volt Models</b>		
PS-802-24	Automatic reset low water cut-off	MH1173
PS-802-M-24	Manual reset low water cut-off	MH1173A
PS-802-U-24	Automatic reset and extended barrel	MH1173B
PS-802-M-U-24	Manual reset and extended barrel	MH1173D
PS-802-RX2-24	Low water cut-off with remote sensor	MH1173C
<b>Replacement Electrodes</b>		
PA-800	Standard barrel electrode	MI 1496
PA-800-U	Extended barrel electrode	MI 1497
PA-800-RX2	Electrode for remote sensor for PS-802-RX2-24	MI 1498

## Replacement Electrodes

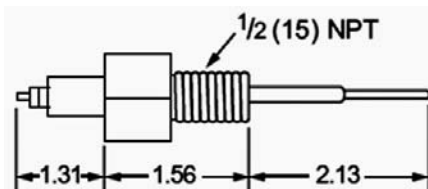
### ■ Standard PA-800 Electrode



### ■ Extended Barrel PA-800-U Electrode



### ■ Extended Barrel PA-800-RX2 Electrode



All dimensions above in inches.

**Automatic Reset Models** — Whenever water is below the level of the probe, the control will go into a low water condition. When the water level has been restored, the control will automatically return to a run condition.

**Manual Reset Models** — If a low water condition occurs (water off probe), the manual reset button must be manually pressed once the water level is restored to a level above the probe.

Do not use Manual Reset models with an automatic water feeder!