

FEATURES

- Up to 10.0 EER cooling efficiency
- Less than 1.4% cabinet air leakage
- Completely self-contained heating and cooling package
 - No outside condensing unit
 - No external refrigerant lines
 - No remote cooling coil
 - No separate venting system
- Pre-wired and pre-charged
- Individual unit control by thermostat
- Unit utilities individually metered
- Easy service access
- Louver color options to match building facade
- Internal vent system (direct vent)

REFRIGERANT SYSTEM

- R410A Refrigerant
- High efficiency compressor
- Copper tubing with enhanced fin coils

HEAT EXCHANGER

- Standard aluminized steel heat exchanger
- Optional 409 stainless steel heat exchanger

CABINET

- Fully insulated cabinet for quiet operation

BLOWER

- Four-speed PSC motor for wide airflow range
- Permanently lubricated motor for low maintenance and maximum efficiency
- Dynamically balanced blower with resilient motor mounts for smooth and quiet operation
- Internal washable air filter

CONTROLS

- Color coded wiring for easy service
- Fuse protection on 24V circuit

INSTALLATION

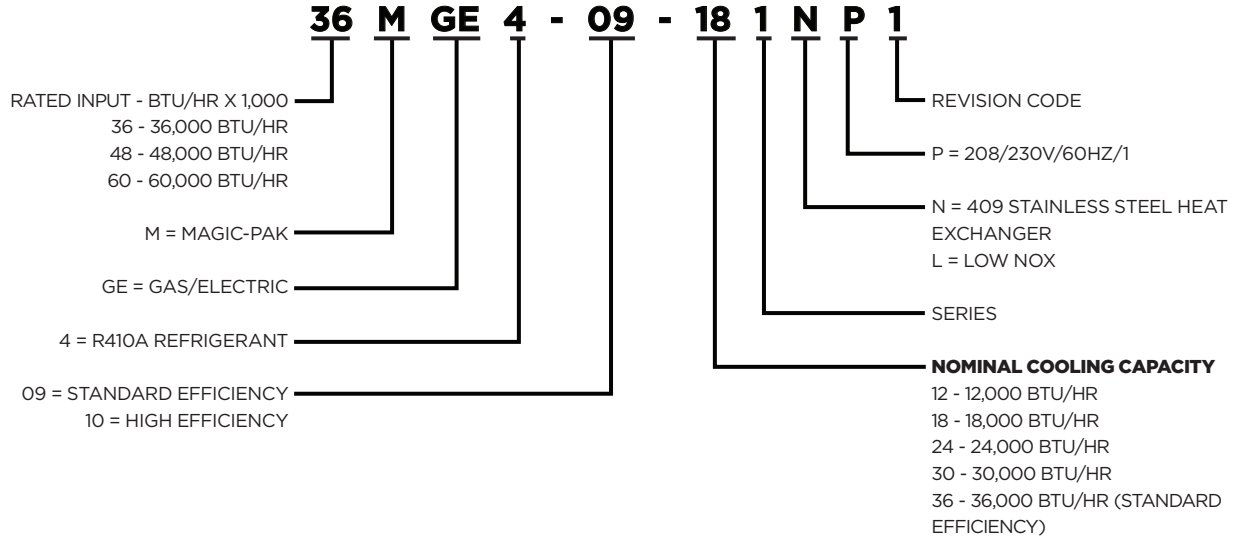
- Easy to install and service
- Louver mounts flush to outside wall



WARRANTY

5 year limited warranty on all parts, 10 year warranty on aluminized heat exchanger 20 year warranty on stainless steel heat exchanger.

MODEL NUMBER GUIDE



ELECTRICAL AND PHYSICAL DATA

Model	Voltage/ Hz/ Phase	Voltage Range	Min. Circuit Amps	Max. Fuse/HACR Brkr.	Compressor		Outside Fan				Indoor Blower			R410A Refrig. Charge (oz.)	Approx. Weight (lbs.)
					Rated Load Amps	Locked Rotor Amps	Dia. (in.)	Nom. RPM	Rated Load Amps	Rated HP	Wheel dia. x width (in.)	Rated Load Amps	Rated HP		
36MGE4-09-121P	208-230/60/1	197 - 253	7.5	15	5.0	27	16	1075	0.9	1/8	9 x 7	1.9	1/3	42	290
36MGE4-09-181P															
48MGE4-09-181P															
60MGE4-09-181P	208-230/60/1	197 - 253	10.5	20	6.5	37.5	18	1075	0.9	1/8	9 x 7	1.9	1/3	50	295
36MGE4-09-241P															
48MGE4-09-241P															
60MGE4-09-241P	208-230/60/1	197 - 253	13.7	20	8.6	43.5	18	1075	0.9	1/8	10 x 6	2.7	1/2	62	300
36MGE4-09-301P															
48MGE4-09-301P															
60MGE4-09-301P	208-230/60/1	197 - 253	22	30	14.1	73	18	1075	1.6	1/4	10x6	2.7	1/2	61	310
36MGE4-09-361															
48MGE4-09-361															
60MGE4-09-361	208-230/60/1	197 - 253	27	40	17.9	112	18	1075	1.6	1/4	10x6	2.7	1/2	101	360
36MGE4-10-181P															
48MGE4-10-181P															
60MGE4-10-181P	208-230/60/1	197 - 253	10.5	20	6.5	37.5	18	1075	0.9	1/8	9 x 7	1.9	1/3	75	315
36MGE4-10-241P															
48MGE4-10-241P															
60MGE4-10-241P	208-230/60/1	197 - 253	13.5	20	8.4	38.0	16	1075	0.9	1/8	10x6	2.7	1/2	83	320
36MGE4-10-301P															
48MGE4-10-301P															
60MGE4-10-301P	208-230/60/1	197 - 253	22	30	14.1	73	18	1075	1.6	1/4	10x6	2.7	1/2	93	335
36MGE4-10-361															
48MGE4-10-361															
60MGE4-10-361															

BLOWER PERFORMANCE

Model	Blower Speed	CFM @ ext. static pressure - in. w.c. with filter				
		0.1	0.2	0.3	0.4	0.5
MGE4-09-121P	Low	620	495	470	430	370
	Medium Low	685	655	600	540	490
	Medium High	755	715	660	595	610
	High	875	770	710	640	575
MGE4-09-181P	Low	500	470	435	390	370
	Medium Low	670	640	575	520	460
	Medium High	750	690	645	575	490
	High	795	740	680	616	535
MGE4-09-241P	Low	650	630	610	580	550
	Medium Low	945	900	860	810	775
	Medium High	1010	960	910	870	800
	High	1090	1030	980	930	880
MGE4-09-301P	Low	640	620	600	575	540
	Medium Low	940	890	860	820	785
	Medium High	1000	960	910	875	820
	High	1110	1060	1010	960	915
MGE4-09-361P	Low	640	620	600	575	540
	Medium Low	940	890	860	820	785
	Medium High	1000	960	910	875	820
	High	1110	1060	1010	960	915

MGE4-10-181P	Low	500	470	435	390	370
	Medium Low	670	640	575	520	460
	Medium High	750	690	645	575	490
	High	795	740	680	616	535
MGE4-10-241P	Low	630	610	590	560	520
	Medium Low	905	870	830	780	735
	Medium High	955	905	860	815	770
	High	1040	990	935	890	835
MGE4-10-301P	Low	640	620	600	575	540
	Medium Low	940	890	860	820	785
	Medium High	1000	960	910	875	820
	High	1110	1060	1010	960	915

PERFORMANCE

Model	Cooling			CFM	Heating			
	Btuh	EER	S/T		Input	Output	Rise Range F°	Thermal Efficiency
					Btuh	Btuh		
36MGE4-09-121P	11,800	9.00	.74	400	36,000	28,000	35 - 65	80%
36MGE4-09-181P	17,000	9.00	.74	600	36,000	28,800	35 - 65	80%
48MGE4-09-181P					48,000	38,400	30 - 60	
60MGE4-09-181P					60,000	48,000	40 - 70	
36MGE4-09-241P	22,200	9.00	.77	800	36,000	28,800	30 - 60	80%
48MGE4-09-241P					48,000	38,400	30 - 60	
60MGE4-09-241P					60,000	48,000	35 - 65	
36MGE4-09-301P	27,400	9.00	.80	1000	36,000	28,800	30 - 60	80%
48MGE4-09-301P					48,000	38,400	30 - 60	
60MGE4-09-301P					60,000	48,000	35 - 65	
36MGE4-09-361P	35,000	9.00	.72	1050	36,000	28,800	30 - 60	80%
48MGE4-09-361P					48,000	38,400	30 - 60	
60MGE4-09-361P					60,000	48,000	35 - 65	

36MGE4-10-181P	18,000	10.00	.72	600	36,000	28,800	35 - 65	80%
48MGE4-10-181P					48,000	38,400	30 - 60	
60MGE4-10-181P					60,000	48,000	40 - 70	
36MGE4-10-241P	22,400	10.00	.74	800	36,000	28,800	30 - 60	80%
48MGE4-10-241P					48,000	38,400	30 - 60	
60MGE4-10-241P					60,000	48,000	35 - 65	
36MGE4-10-301P	28,400	10.00	.78	1000	36,000	28,800	30 - 60	80%
48MGE4-10-301P					48,000	38,400	30 - 60	
60MGE4-10-301P					60,000	48,000	35 - 65	

COOLING PERFORMANCE EXTENDED RATINGS

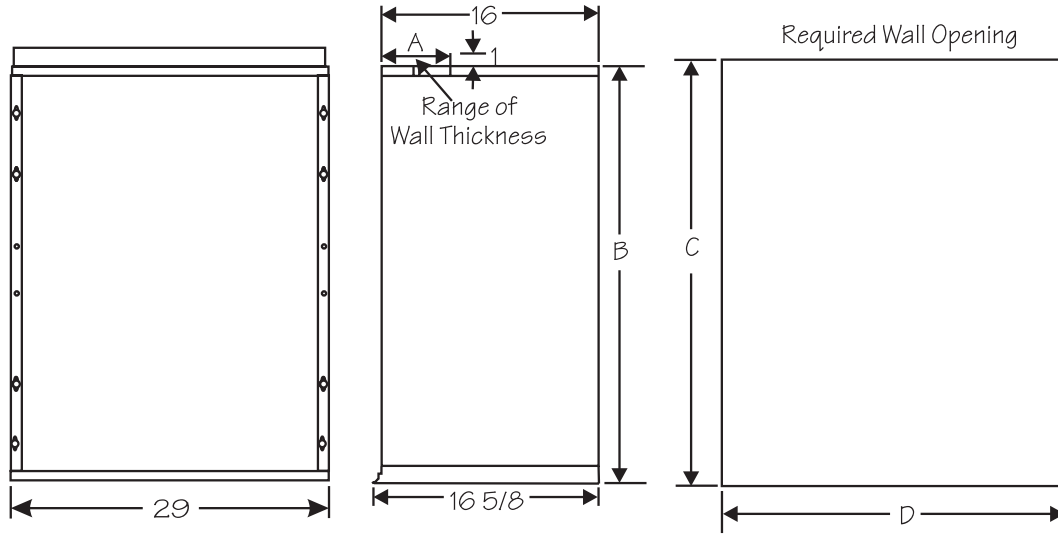
Model	Indoor Temp DB/WB °F	Outdoor Temperature - DB °F														
		65			85			95			105			115		
		Btuh	S/T	kW	Btuh	S/T	kW	Btuh	S/T	kW	Btuh	S/T	kW	Btuh	S/T	kW
MGE4-09-12IP	85/72	14,000	.58	1.13	13,300	.62	1.25	12,800	.65	1.34	11,700	.70	1.45	10,600	.75	1.42
	80/67	13,400	.65	1.12	13,000	.69	1.24	12,000	.74	1.33	9,800	.75	1.38	9,000	.87	1.40
	75/63	12,800	.69	1.11	11,700	.74	1.23	10,900	.78	1.31	9,200	.86	1.36	7,600	.93	1.37
	75/57	11,700	1.00	1.10	11,100	1.00	1.21	10,700	1.00	1.30	9,300	1.00	1.36	8,000	1.00	1.37
MGE4-09-18IP	85/72	22,000	.58	1.67	20,600	.62	1.86	19,400	.65	2.00	17,500	.70	2.09	15,500	.75	2.08
	80/67	20,800	.65	1.65	19,600	.70	1.83	17,600	.74	1.96	15,600	.79	2.05	13,100	.87	2.03
	75/63	19,800	.69	1.64	17,400	.75	1.80	15,500	.80	1.92	13,400	.87	2.00	11,300	.93	1.98
	75/57	18,100	1.00	1.62	16,800	1.00	1.79	15,700	1.00	1.92	13,700	1.00	2.00	11,700	1.00	1.99
MGE4-09-24IP	85/72	27,000	.60	1.89	25,600	.65	2.24	24,700	.68	2.50	23,000	.72	2.76	21,400	.75	2.82
	80/67	25,700	.68	1.87	24,400	.72	2.24	22,800	.77	2.53	20,900	.81	2.71	19,300	.84	2.80
	75/63	24,400	.72	1.86	22,500	.77	2.19	21,100	.80	2.44	19,100	.85	2.70	17,100	.89	2.76
	75/57	22,400	1.00	1.83	21,200	1.00	2.20	20,300	1.00	2.48	18,700	1.00	2.71	17,200	1.00	2.74
MGE4-09-30IP	85/72	34,900	.63	2.43	32,500	.68	2.82	30,600	.71	3.11	28,100	.75	3.41	25,700	.79	3.38
	80/67	32,600	.71	2.40	30,200	.76	2.75	27,600	.80	3.07	25,600	.83	3.37	22,800	.87	3.35
	75/63	30,300	.76	2.39	27,500	.80	2.76	25,300	.83	3.04	22,700	.88	3.34	20,300	.92	3.32
	75/57	28,400	1.00	2.35	26,200	1.00	2.72	24,600	1.00	3.00	22,400	1.00	3.31	20,300	1.00	3.28
MGE4-09-36IP	85/72	38,400	.58	2.89	37,700	.61	3.46	37,200	.63	3.89	35,100	.67	4.32	33,100	.70	4.32
	80/67	37,100	.65	2.87	36,600	.69	3.41	35,000	.72	3.89	33,100	.74	4.28	30,000	.78	4.28
	75/63	35,800	.69	2.85	33,900	.73	3.40	32,300	.76	3.82	30,000	.79	4.20	27,600	.81	4.16
	75/57	32,300	1.00	2.81	31,700	1.00	3.38	31,200	1.00	3.81	28,900	1.00	4.21	26,700	1.00	4.19

MGE4-10-18IP	85/72	20,700	.56	1.40	20,200	.60	1.58	19,800	.63	1.72	18,100	.67	1.81	16,500	.71	1.84
	80/67	20,100	.63	1.40	19,700	.67	1.57	18,000	.72	1.70	15,300	.82	1.77	13,800	.83	1.80
	75/63	19,300	.67	1.40	17,500	.72	1.57	16,100	.76	1.69	13,900	.83	1.76	11,800	.89	1.76
	75/57	17,500	1.00	1.37	16,700	1.00	1.54	16,000	1.00	1.67	14,100	1.00	1.75	12,300	1.00	1.76
MGE4-10-24IP	85/72	25,400	.61	1.70	24,600	.64	1.99	24,000	.66	2.21	22,500	.70	2.43	21,100	.73	2.44
	80/67	24,700	.68	1.68	24,000	.72	1.97	23,000	.74	2.21	21,000	.79	2.39	18,600	.84	2.44
	75/63	23,200	.71	1.67	21,700	.76	1.96	20,500	.79	2.18	18,700	.83	2.40	16,800	.87	2.42
	75/57	21,500	1.00	1.65	20,900	1.00	1.94	20,500	1.00	2.17	18,500	1.00	2.38	16,600	1.00	2.39
MGE4-10-30IP	85/72	32,700	.61	2.26	31,700	.66	2.62	31,000	.69	2.89	29,100	.73	3.17	27,100	.76	3.15
	80/67	31,600	.69	2.25	30,600	.74	2.58	28,800	.78	2.88	26,900	.81	3.15	23,900	.87	3.15
	75/63	30,400	.73	2.24	28,100	.78	2.59	26,400	.82	2.86	24,000	.86	3.12	21,600	.90	3.10
	75/57	27,500	1.00	2.21	26,400	1.00	2.55	25,600	1.00	2.82	23,400	1.00	3.06	21,300	1.00	3.06

ACCESSORIES

DESCRIPTION	KIT NUMBER	WHERE USED
Polypropylene Louver Kit (White)	ALVRPWHTMGE-1	MGE4-09 (12, 18, 24, 30) / MGE4-10 (18, 24)
Polypropylene Louver Kit (White)	ALVRPWHTMGE-2	MGE4-09-36 / MGE4-10-30
Polypropylene Louver Kit (Sandstone)	ALVRPSANMGE-1	MGE4-09 (12, 18, 24, 30) / MGE4-10 (18, 24)
Polypropylene Louver Kit (Sandstone)	ALVRPSANMGE-2	MGE4-09-36 / MGE4-10-30
Polypropylene Louver Kit (Beige)	ALVRPBGEMGE-1	MGE4-09 (12, 18, 24, 30) / MGE4-10 (18, 24)
Polypropylene Louver Kit (Beige)	ALVRPBGEMGE-2	MGE4-09-36 / MGE4-10-30
Polypropylene Louver Kit (Taupestone)	ALVRPTSTMGE-1	MGE4-09 (12, 18, 24, 30) / MGE4-10 (18, 24)
Polypropylene Louver Kit (Taupestone)	ALVRPTSTMGE-2	MGE4-09-36 / MGE4-10-30
Extruded Aluminum Louver Kit	ALVRAL-1	MGE4-09 (12, 18, 24, 30) / MGE4-10 (18, 24)
Extruded Aluminum Louver Kit	ALVRAL-2	MGE4-09-36 / MGE4-10-30
Extruded Aluminum Louver Kit (Custom Color)	ALVRAL-1P	MGE4-09 (12, 18, 24, 30) / MGE4-10 (18, 24)
Extruded Aluminum Louver Kit (Custom Color)	ALVRAL-2P	MGE4-09-36 / MGE4-10-30
2" Wall Sleeve Kit	ASLEEVE2-1	MGE4-09 (12, 18, 24, 30) / MGE4-10 (18, 24)
2" Wall Sleeve Kit	ASLEEVE2-2	MGE4-09-36 / MGE4-10-30
6" Wall Sleeve Kit	ASLEEVE6-1	MGE4-09 (12, 18, 24, 30) / MGE4-10 (18, 24)
6" Wall Sleeve Kit	ASLEEVE6-2	MGE4-09-36 / MGE4-10-30
8" Wall Sleeve Kit	ASLEEVE8-1	MGE4-09 (12, 18, 24, 30) / MGE4-10 (18, 24)
8" Wall Sleeve Kit	ASLEEVE8-2	MGE4-09-36 / MGE4-10-30
10" Wall Sleeve Kit	ASLEEVE10-1	MGE4-09 (12, 18, 24, 30) / MGE4-10 (18, 24)
10" Wall Sleeve Kit	ASLEEVE10-2	MGE4-09-36 / MGE4-10-30
12" Wall Sleeve Kit	ASLEEVE12-1	MGE4-09 (12, 18, 24, 30) / MGE4-10 (18, 24)
12" Wall Sleeve Kit	ASLEEVE12-2	MGE4-09-36 / MGE4-10-30
LP Conversion Kit	ALPKT612-1	All MGE's
Wall Sleeve Extension Kit	ASLEEVEXT 4-1, 4-2	A SLEEVE WALL KITS (only with 1 & 2, cannot use with 3 & 4)

ACCESSORIES DIMENSIONS (IN.)



ACCESSORIES

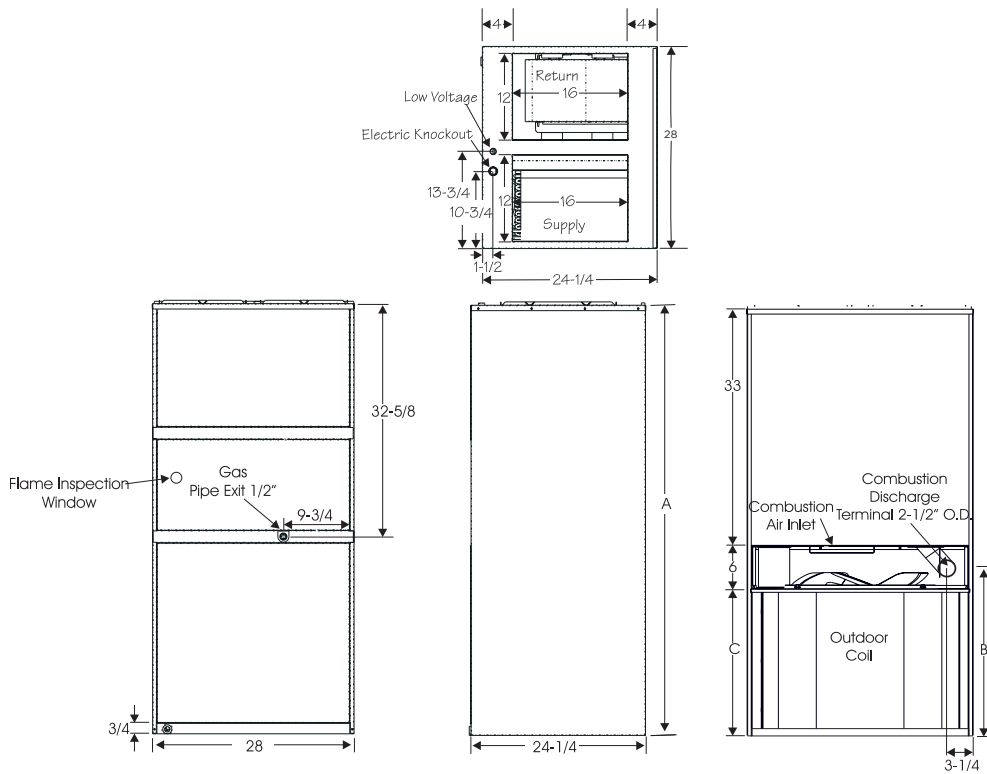
KIT NUMBER	A	B	C	D
ASLEEVE2-1	2	29	29-1/8	29-1/8
ASLEEVE2-2	2	32-3/4	32-7/8	29-1/8
ASLEEVE6-1	6	29	29-1/8	29-1/8
ASLEEVE6-2	6	32-3/4	32-7/8	29-1/8
ASLEEVE8-1	8	29	29-1/8	29-1/8
ASLEEVE8-2	8	32-3/4	32-7/8	29-1/8
ASLEEVE10-1	10	29	29-1/8	29-1/8
ASLEEVE10-2	10	32-3/4	32-7/8	29-1/8
ASLEEVE12-1	12	29	29-1/8	29-1/8
ASLEEVE12-2	12	32-3/4	32-7/8	29-1/8

DIMENSIONS (IN.)

Model	A	B	C
MGE4-09-121P	57-7/8	20-1/2	18-5/8
MGE4-09-181P			
MGE4-09-241P	59-7/8	22-1/2	20-5/8
MGE4-09-301P			
MGE4-09-361P	64	26-1/2	24-3/4
MGE4-10-181P	59-7/8	22-1/2	20-5/8
MGE4-10-241P			
MGE4-10-301P	64	26-1/2	24-3/4

SOUND RATINGS

Model	Sound Rating (dBA)
MGE4-09-121	72
MGE4-09-181	
MGE4-09-241	74
MGE4-09-301	76
MGE4-09-361	
MGE4-10-181	74
MGE4-10-241	74
MGE4-10-301	76



215 Metropolitan Drive | West Columbia, SC 29170
 800-448-5872
 Product Support 866-282-7257

All specifications and illustrations subject to change without notice and without incurring obligations.