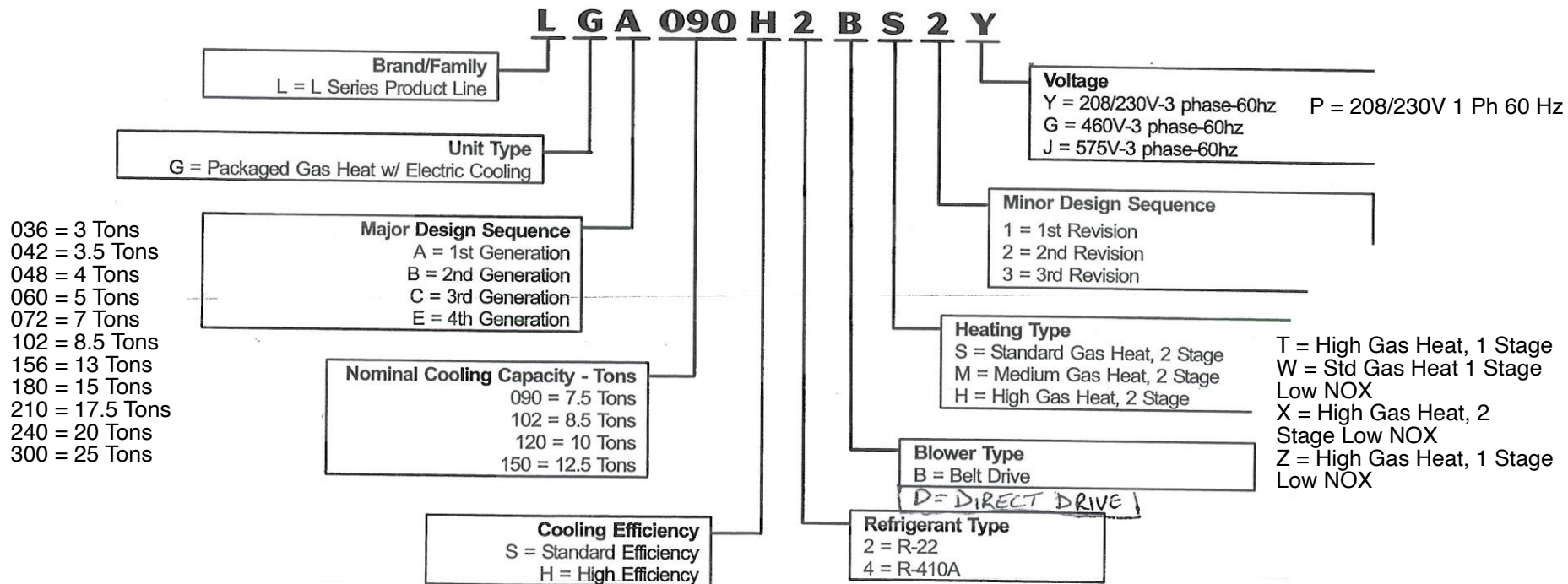


LENNOX HVAC MODEL NUMBER DECODER

CLICK ANYWHERE on THIS PAGE to RETURN to LENNOX HVAC Information at InspectApedia.com



LENNOX INDUSTRIES MODEL NUMBER CHART

CONDENSING UNITS

(HS 21-411-1P)
HS 21 - 41 1 1 P

HS - HIGH SIDE
STREIGHT COOL
HP - HIGH SIDE
HEAT PUMP

MODEL SERIES

HS 29 = 10-12.5 SEER
10ACB = 10-12 SEER
12ACB = 12-13.5 SEER
HS 25 = 12-14 SEER
HS 26 = 13-14 SEER
HS 27 = 14-15 SEER
HS 21 = 12-15 SEER
(2 SP, 3,4, & 5 TON)
HS 17 = 3 PH CML. UNITS
HP = HEAT PUMP

CAPACITY

21 = 1.5 TON
26 = 2 TON
31 = 2.5 TON
41 = 3 TON
46 = 3.5 TON
51 = 4 TON
65 = 5 TON
81 = 6 TON
95 = 7.5 TON
135 = 10 TON
160 = 12.5 TON
185 = 15 TON
275 = 20 TON

VOLTAGE

1 = SINGLE PHASE
3 = THREE PHASE

MINOR REVISION NUMBER

VOLTAGE

P = 208/230 1 PHASE - 60 HZ
G = 460 3 PHASE - 60 HZ

AIR HANDLING UNITS

(CB 31 MV 41-1P)
CB 31 MV 41 - 1 P

VOLTAGE

P = 208/230 1 PHASE - 60 HZ
G = 460 3 PHASE - 60 HZ

MINOR REVISION NUMBER

CAPACITY

SAME AS COND. UNITS

MODEL DESCRIPTION

CB = COIL-BLOWER
M = MULTI-POSITION
V = VARIABLE SPEED

MODEL SERIES

29 = STANDARD
30 = HIGH EFFICIENCY
31 = VARIABLE SPEED
17 = COMMERCIAL

Old & New Lennox Model Numbering System (Tonnage Conversion Chart)

OLD	NEW	=	TONS		OLD	NEW	=	TONS
141/181	012	=	1.0		211	018	=	1.5
261	024	=	2.0		311	030	=	2.5
41_*	036	=	3.0		46_*	042	=	3.5
51_*	048	=	4.0		65_*	060	=	5.0
813	072	=	6.0		953	090	=	7.5
1353	120	=	10.0		1603	150	=	12.5
1853	180	=	15.0		2553	222	=	18.5
2753	240	=	20.0		3003	300	=	25.0

* 1 or 3 to indicate single or three-phase.
_ to indicate single or three-phase.

Standard Formula: 1 ton of cooling = 12,000 Btu