

Single and Multi-Function Aquastat Controllers

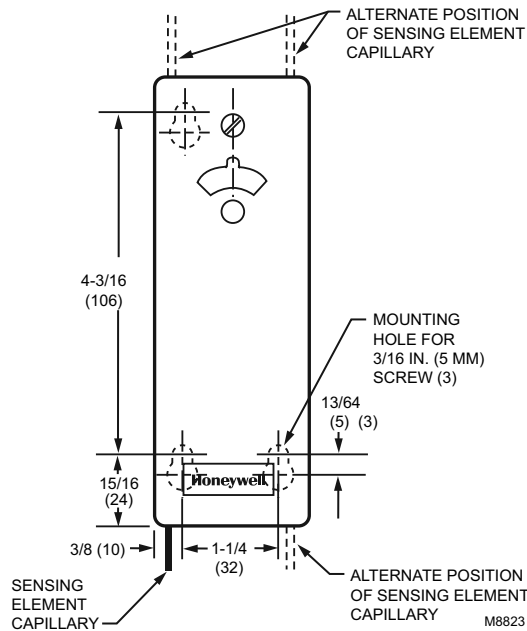
L4008; L6008 Remote Bulb Controller



Aquastat® Controllers are immersion type devices for limiting or regulating the temperature of liquids in boilers, storage tanks, and other applications where temperature control is required.

- Remote temperature sensing element detects and responds rapidly to temperature changes.
- Totally enclosed Micro Switch® snap-acting switch.
- Visible control point scale and external adjustment screw permit easy setting.
- Horizontal or vertical mounting of the remote element into boiler, tank, or other container.
- Case mounts to a vertical surface.

Dimensions in inches (millimeters)



Case Dimensions: 5 5/8 in. high x 2 in. wide x 2 1/8 in. deep (143 mm high x 51 mm wide x 54 mm deep)

Maximum Ambient Temperature: 150 F (66 C)

Operating Temperature Range: 100 F to 240 F (38 C to 116 C)

Electrical Ratings: 5.1A @ 240 Vac; 8A @ 120 Vac (Full Load), 30.6A @ 240 Vac; 48A @ 120 Vac (Locked Rotor), 0.25A @ 0.25 to 12 Vdc (Millivolt)

Approvals:

Canadian Standards Association: Certified: File No. LR95329-1

Underwriters Laboratories Inc. UL Component Recognized: File No. MP466, Vol. 6, Sec.1, Guide No. MBPR2

CLICK ANYWHERE on THIS PAGE to RETURN to AQUASTAT CONTROLS at InspectApedia.com

Product Number	Application	Differential Temperature		Bulb Size		Capillary Length	Switching Action	Mounting	Includes
		(F)	(C)	(inch)	(mm)	(inch)			
L4008A1015	High or Low limit	5 F to 30 F adj.	3 C to 17 C adj.	3/8 in. x 2 7/8 in. copper	10 mm x 73 mm copper	66 in.	SPST, contacts break on temperature rise.	Horizontal or Vertical	5 1/2 ft (1.7 m) capillary.
L4008A1130	High or Low limit	5 F to 30 F adj.	3 C to 17 C adj.	3/8 in. x 2 7/8 in. copper	10 mm x 73 mm copper	120 in.	SPST, contacts break on temperature rise.	Horizontal or Vertical	10 ft (3.04 m) capillary; factory-set stop at 200 F (93 C).
L4008B1013	Circulator	5 F to 30 F adj.	3 C to 17 C adj.	3/8 in. x 2 7/8 in. copper	10 mm x 73 mm copper	66 in.	SPST, contacts make on temperature rise.	Horizontal or Vertical	5 1/2 ft (1.7 m) capillary.
* L4008E1156	High Limit; Manual Reset	Manual Reset	Manual Reset	3/8 in. x 2 7/8 in. copper	10 mm x 73 mm copper	66 in.	SPST, contacts break on temperature rise.	Horizontal or Vertical	5 1/2 ft (1.7 m) capillary; factory-set stop at 250 F (121 C); heat-conductive compound.
* L4008E1305	High Limit; Manual Reset	Manual Reset	Manual Reset	3/8 in. x 2 7/8 in. copper	10 mm x 73 mm copper	66 in.	SPST, contacts break on temperature rise.	Horizontal or Vertical	—
L4008E1313	High Limit; Manual Reset	Manual Reset	Manual Reset	3/8 in. x 2 7/8 in. copper	10 mm x 73 mm copper	66 in.	SPST, contacts break on temperature rise.	Horizontal or Vertical	—

* TRADELINE models • SUPER TRADELINE models

Single and Multi-Function Aquastat Controllers

	Product Number	Application	Differential Temperature		Bulb Size		Capillary Length	Switching Action	Mounting	Includes
			(F)	(C)	(inch)	(mm)	(inch)			
*	L6008A1192	Circulator Control and Low Limit	5 F to 30 F adj.	3 C to 17 C adj.	3/8 in. x 2 7/8 in. copper	10 mm x 73 mm copper	66 in.	SPDT	Horizontal or Vertical	66 in. capillary
—	L6008A1242	Circulator Control and Low Limit	5 F to 30 F adj.	3 C to 17 C adj.	3/8 in. x 2 7/8 in. copper	10 mm x 73 mm copper	66 in.	SPDT	Horizontal or Vertical	66 in. capillary

* TRADELINE models • SUPER TRADELINE models