

INSTALLATION MANUAL

FULL-CASED UPFLOW/COUNTERFLOW FOR COOLING/HEAT PUMPS

MODELS: CF

FULL-CASED MULTI-POSITION FOR COOLING/HEAT PUMPS

MODELS: CM



LIST OF SECTIONS

GENERAL	1	CONDENSATE DRAIN CONNECTIONS	6
SAFETY	1	REFRIGERANT LINE CONNECTION	6
COIL INSTALLATION	4	COIL METERING DEVICES	7
DIRECT DUCT INSTALLATION (CF MODELS)	5	AIR SYSTEM ADJUSTMENT	9
DUCT CONNECTIONS	5	INSTALLATION VERIFICATION	10

LIST OF FIGURES

Pressure Check	2	Vapor Line Grommet	7
Component Location - Cased Coil CF Model	2	Recommended Distributor Adjustment	7
Component Location - Cased Coil CM Model	3	Piston Installation	8
Duct Flanges - Coils CF / CM	4	TXV Installation	8
Vertical Applications with Furnaces	4	TXV Bulb and Equalizer line Installations	9
Vertical Applications with Modular Air Handlers	4	Proper Bulb Location	9
Coil Blow Off Wing Installation	5	Vertical Temperature Bulb Orientation	9
CM Horizontal Right Application with Furnace	5	Drain Traps	10
CM Horizontal Left Application with Furnace	5	Location of Coil Trapped and Plugged Drain Connections with Furnace	11
Diverter Shroud Installation	5	Location of Coil Trapped and Plugged Drain Connections with Modular Air Handler	11
CM Horizontal Right Application with Modular Air Handler	6		
CM Horizontal Left Application with Modular Air Handler	6		

LIST OF TABLES

Dimensions - CF Coils	2	Air Flow Data - Static Pressure Drop for CM Models	10
Dimensions - CM Coils	3	Air Flow Data - Static Pressure Drop for CF Models	10
Coil Air Flow Limits	3		

SECTION I: GENERAL

This instruction covers the installation of the following coils with furnaces or MP / ME / MV modular air handlers.

The coils have sweat connect fittings. All coils are shipped with a low psi nitrogen holding charge. See Figures 1.

SECTION II: SAFETY



This is a safety alert symbol. When you see this symbol on labels or in manuals, be alert to the potential for personal injury.

Understand and pay particular attention to the signal words **DANGER**, **WARNING**, or **CAUTION**.

DANGER indicates an **imminently** hazardous situation, which, if not avoided, **will result in death or serious injury**.

WARNING indicates a **potentially** hazardous situation, which, if not avoided, **could result in death or serious injury**.

CAUTION indicated a potentially hazardous situation, which, if not avoided may result in minor or moderate injury. It is also used to alert against unsafe practices and hazards involving only property damage.

▲ WARNING

Improper installation may create a condition where the operation of the product could cause personal injury or property damage.

Improper installation, adjustment, alteration, service or maintenance can cause injury or property damage. Refer to this manual for assistance or additional information, consult a qualified installer or service agency.

▲ WARNING

The furnace area must not be used as a broom closet or for any other storage purposes, as a fire hazard may be created. Never store items such as the following on, near or in contact with the furnace.

1. Spray or aerosol cans, rags, brooms, dust mops, vacuum cleaners or other cleaning tools.
2. Soap powders, bleaches, waxes or other Cleaning compounds; plastic items or containers; gasoline, kerosene, cigarette lighter fluid, dry cleaning fluids or other volatile fluid.
3. Paint thinners and other painting compounds.
4. Paper bags, boxes or other paper products

Never operate the furnace with the blower door removed. To do so could result in serious personal injury and/or equipment damage.

⚠ CAUTION

This product must be installed in strict compliance with the enclosed installation instructions and any applicable local, state, and national codes including, but not limited to building, electrical, and mechanical codes.

INSPECTION

As soon as a coil is received, it should be checked to insure it is still under pressure per Figure 1. The coil should be inspected for possible damage during transit. If damage is evident, the extent of the damage should be noted on the carrier's delivery receipt. A separate request for inspection by the carrier's agent should be made in writing. See Local Distributor for more information. Check drain pan for cracks or breakage.

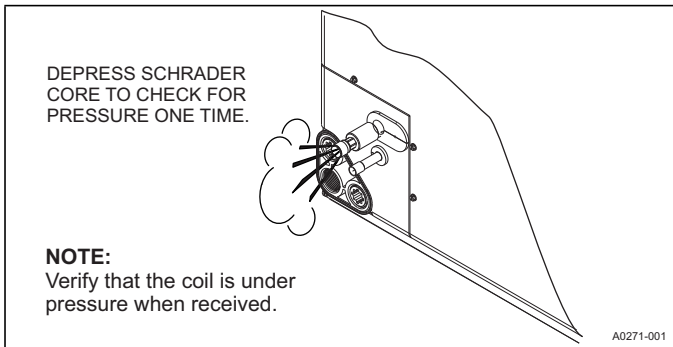


FIGURE 1: Pressure Check

CLEARANCES

During Installation

Dimensions for indoor coils are provided in Tables 1 and 2. Clearance must be provided for:

1. Refrigerant piping and connections
2. Maintenance and servicing access - including cleaning the coil
3. Condensate drain line
4. Removal of coil assembly

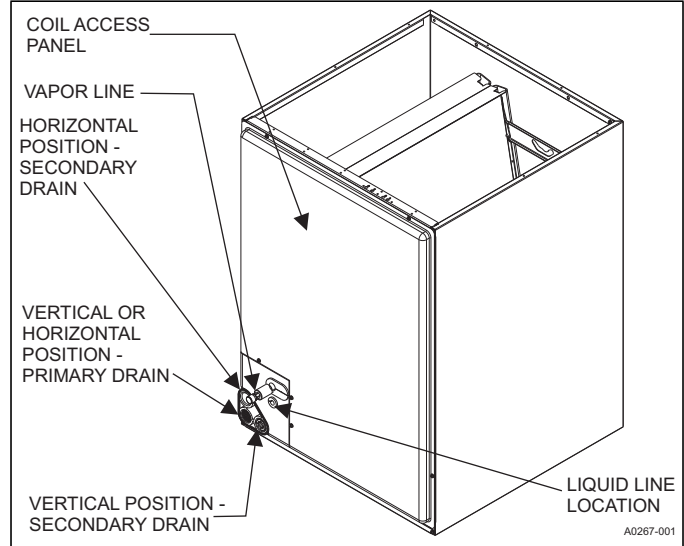
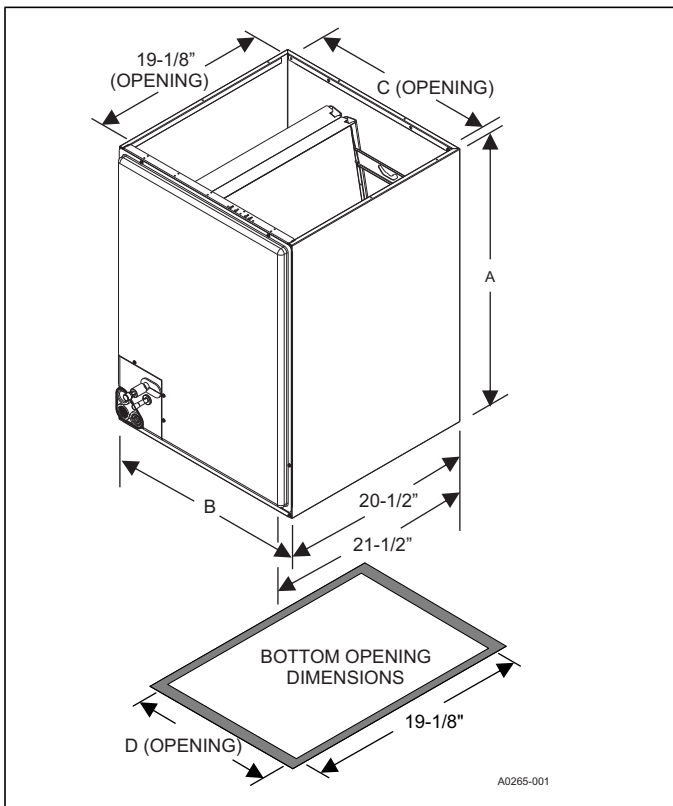


FIGURE 2: Component Location - Cased Coil CF Model

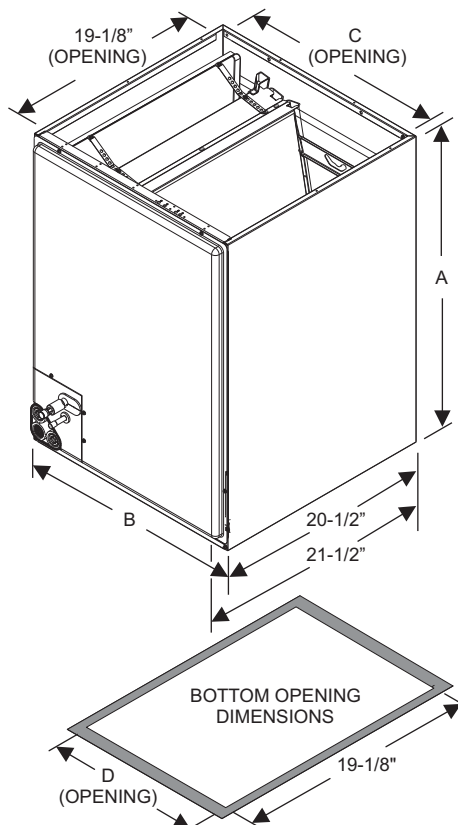
TABLE 1: Dimensions - CF Coils



Models ¹	Dimensions ²				Refrigerant Connections ^{3,4,5}	
	Height	Width	Opening Widths		Liquid	Vapor
	A	B	C	D		
CF18A*	19-1/2	14-1/2	13-1/2	13-1/2	3/8	3/4
CF18B	19	17-1/2	16-1/2	16-1/2		
CF24A*	19-1/2	14-1/2	13-1/2	13-1/2		
CF24B	19	17-1/2	16-1/2	16-1/2		
CF24C	21	21	20	20		
CF30A	21-5/8	14-1/2	13-1/2	13-1/2		
CF30B*	23	17-1/2	16-1/2	16-1/2		
CF30C	21	21	20	20		
CF30D	25	24-1/2	23-1/2	23-1/2		
CF36A	25-1/2	14-1/2	13-1/2	13-1/2		
CF36B*	25-5/8	17-1/2	16-1/2	16-1/2		
CF36C	23	21	20	20		
CF36D	25	24-1/2	23-1/2	23-1/2		
CF42B	25	17-1/2	16-1/2	16-1/2		
CF42C*	25	21	20	20		
CF42D	25	24-1/2	23-1/2	23-1/2		
CF48C*	27	21	20	20		
CF48D	27	24-1/2	23-1/2	23-1/2		
CF60C*	33	21	20	20		
CF60D	32-3/4	24-1/2	23-1/2	23-1/2		

1. Asterisk (*) denotes coil model is available as a flex coil or with factory installed TXV.
2. All dimensions are in inches.
3. Refrigerant line sizes may require larger lines for extended line lengths. See Application Data part number 247077.
4. Adapter fitting must be field installed for other line set size.
5. See outdoor unit technical guide for proper line set size.

TABLE 2: Dimensions - CM Coils



Models ¹	Dimensions ²				Refrigerant Connections ^{3,4,5}	
	Height	Width	Opening Widths		Liquid	Vapor
	A	B	C	D		
CM18A*	19-1/2	14-1/2	13-1/2	13-1/2	3/8	3/4
CM18B	19	17-1/2	16-1/2	16-1/2		
CM24A*	19-1/2	14-1/2	13-1/2	13-1/2		
CM24B*	19	17-1/2	16-1/2	16-1/2		
CM24C	21	21	20	20		
CM30A*	25-1/2	14-1/2	13-1/2	13-1/2		
CM30B*	23	17-1/2	16-1/2	16-1/2		
CM30C	23	21	20	20		
CM30D	25	24-1/2	23-1/2	23-1/2		
CM36A	25-1/2	14-1/2	13-1/2	13-1/2		
CM36B*	25-5/8	17-1/2	16-1/2	16-1/2		
CM36C*	25	21	20	20		
CM36D	25	24-1/2	23-1/2	23-1/2		
CM42C*	27	21	20	20		
CM42D	27	24-1/2	23-1/2	23-1/2		
CM48C*	33	21	20	20		
CM48D*	32-3/4	24-1/2	23-1/2	23-1/2		
CM60C*	33	21	20	20		
CM60D*	32-3/4	24-1/2	23-1/2	23-1/2		
CM64D	32-3/4	24-1/2	23-1/2	23-1/2		
					7/8	

1. Asterisk (*) denotes coil model is available as a flex coil or with factory installed TXV.
2. All dimensions are in inches.
3. Refrigerant line sizes may require larger lines for extended line lengths. See Application Data part number 247077.
4. Adapter fitting must be field installed for other line set size.
5. See outdoor unit technical guide for proper line set size.

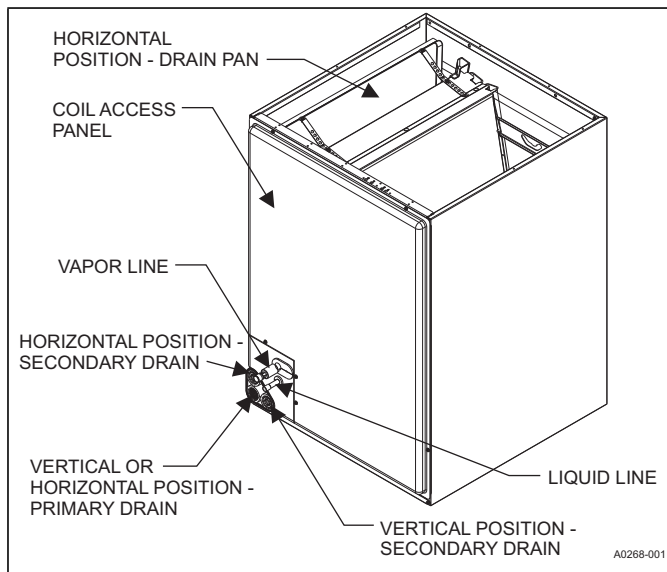


FIGURE 3: Component Location - Cased Coil CM Model

LIMITATIONS

These coils should be installed in accordance with all national and local safety codes. Refer to Table 3.

TABLE 3: Coil Air Flow Limits

Coil Size	Outdoor Unit Tons	CFM Limits	
		Minimum	Maximum
18	1-1/2	525	675
24	2	700	900
30	2-1/2	875	1125
36	3	1050	1350
42	3-1/2	1225	1575
48	4	1400	1800
60	5	1600	1800
60,64	5	1750	2250

SECTION III: COIL INSTALLATION

DUCT FLANGES

Three duct flanges are provided to attach ductwork to the coil. The flanges are included in the parts bag along with three tie plates. Tie plates are used to secure the coil to the furnace or to the modular air handler as shown in Figures 5, 6, 8, 9, 11, & 12. Using the screws included in the parts bag, duct flanges are attached as shown in Figure 4 (to secure the duct to the coil). If the flanges are not used, they may be discarded.

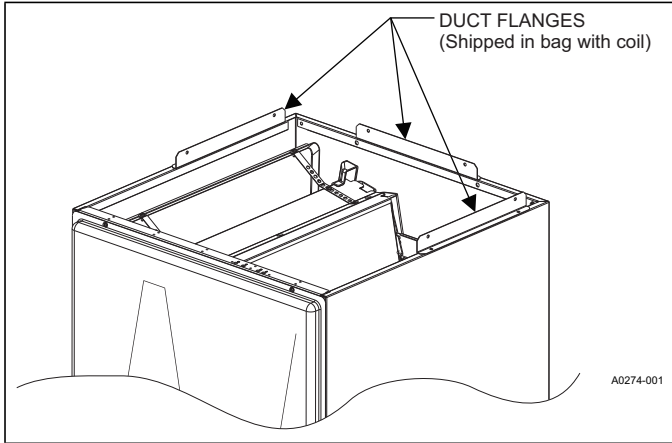


FIGURE 4: Duct Flanges - Coils CF / CM

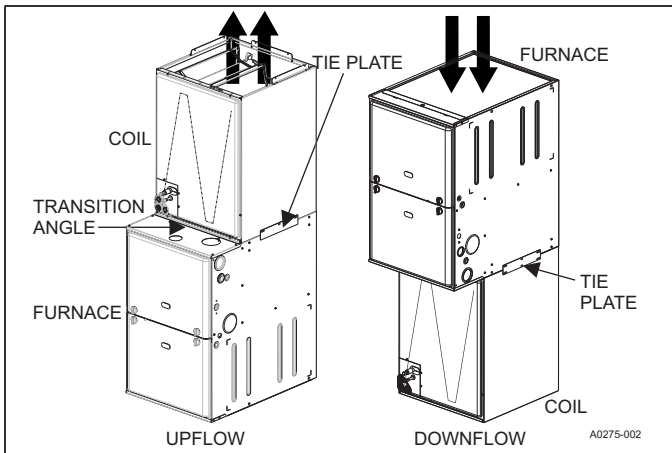


FIGURE 5: Vertical Applications with Furnaces

Downflow (CF/CM) or Horizontal Right (CM):

The coil cabinet has a factory installed transition angle on the bottom front side of the cabinet. For downflow and horizontal applications with a furnace, this angle must be repositioned to the top front side of the cabinet.

1. Remove two screws that fasten transition angle to bottom front of cabinet.
2. Remove two screws from top front side of cabinet.
3. Remove transition angle, rotate angle 180° end for end, and secure to top front side of cabinet.
4. For installation with modular air handling unit, remove the transition angle, and discard it.

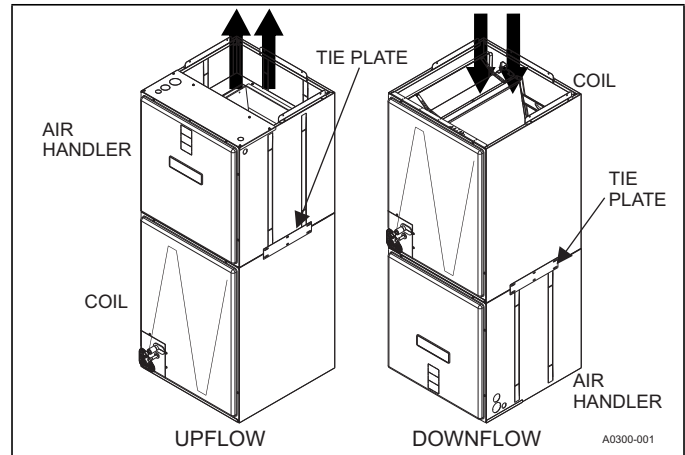


FIGURE 6: Vertical Applications with Modular Air Handlers

Upflow or downflow applications (CF/CM Models):

These coils are factory shipped for installation in either upflow or downflow applications with a minor conversion.

1. Position the coil cabinet on the furnace or modular air handler opening (or the coil cabinet under the furnace or modular air handler opening for appropriate air flow) as shown in Figure 5 or 6.
2. Use the three tie plates and screws (included in bag with coil) to secure the coil cabinet to the furnace or modular air handler.
3. Seal mating surfaces to prevent air leakage between the coil cabinet and the furnace or modular air handler.
4. Place the three duct flanges (from bag with coil) in mounting positions of the upper air flow opening on the coil, and secure with screws from the bag as shown in Figure 4.
5. See sections on "Refrigerant Line Connections" and "Condensate Drain Connections" for further installation instruction.

Horizontal applications (CM Models only):

CM model coils are supplied ready to be installed in a horizontal left position. A horizontal drain pan is factory installed. If horizontal right application, refer to the horizontal right conversion before proceeding.

1. Position the coil cabinet against the furnace or modular air handler opening as shown in Figure 8, 9, 11, or 12.
2. Use the three tie plates and screws (included in bag with coil) to secure the coil cabinet to the furnace or modular air handler.
3. Seal mating surfaces to prevent air leakage between the coil cabinet and the furnace or modular air handler.
4. Install the three duct flanges with screws (from bag with coil) in positions shown in Figure 4.
5. See sections on "Refrigerant Line Connections" and "Condensate Drain Connections" for further installation instruction.

Horizontal right conversion (CM Models only):

NOTICE

Convert coil to correct orientation prior to installation. Conversion must be made before brazing the refrigerant connections to the coil.

1. Remove coil access panel.
2. Slide coil/drain pan assembly out of coil cabinet.

NOTICE

When installing a coil blow off wing, make sure that each notch in the coil blow off wing slides around the anchor screw with the bottom of the notch fully set against the screw. Ensure that coil blow off wing is installed with the flange bending away from the coil delta plate.

3. Install the front and the back coil blow off wings (blow off wings shipped as loose parts with the unit) in accordance with the following:
 - a. Locate 4 screws (2 front side and 2 back side) securing the coil delta plates to the coil drain pan.
 - b. Loosen each screw.
 - c. Slide each coil blow off wing between the drain pan and the coil delta plate.
 - d. Tighten screw to secure coil blow off wings. See Figure 7.
4. Slide the coil back into the cabinet. Be sure to engage the side coil slide into the slide rail on the coil cabinet.
5. Install coil access panel. The horizontal right conversion is now complete. Return to and accomplish the "Horizontal applications."

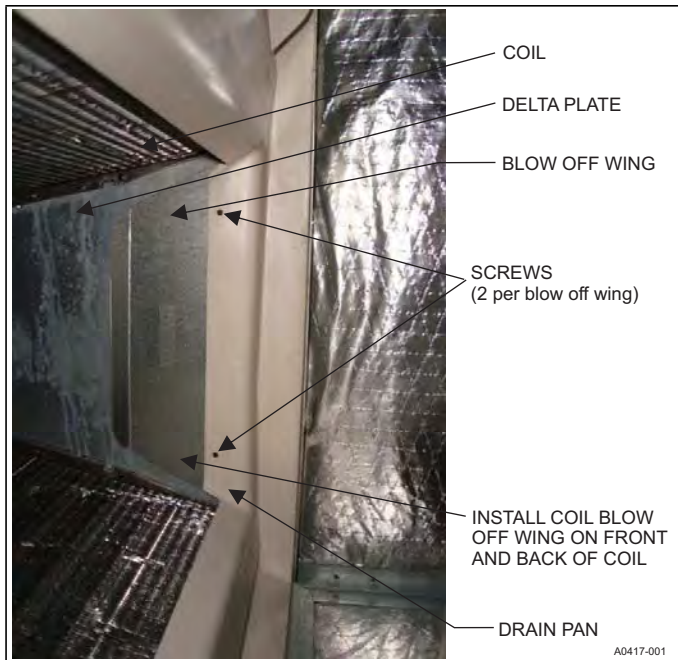


FIGURE 7: Coil Blow Off Wing Installation

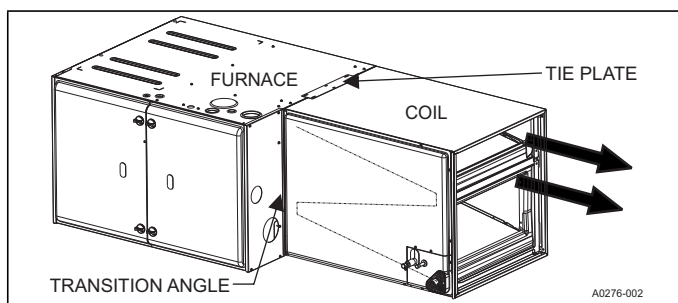


FIGURE 8: CM Horizontal Right Application with Furnace

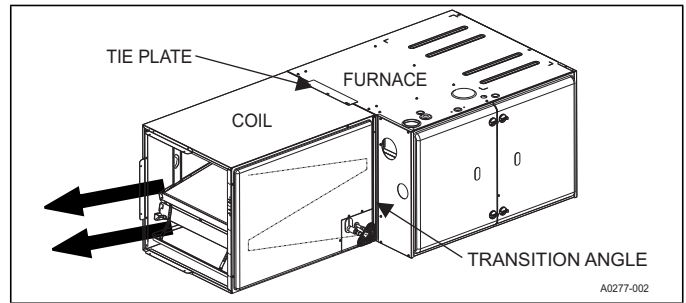


FIGURE 9: CM Horizontal Left Application with Furnace

SECTION IV: DIRECT DUCT INSTALLATION (CF MODELS)

In cases where the coil is being removed from the provided casing and installed directly into the ductwork, the shroud (a Source 1 part), must be installed. The top right blow off shield is removed, and the shroud is installed by attaching it to the top of the coil and to the front and aft seal plates.

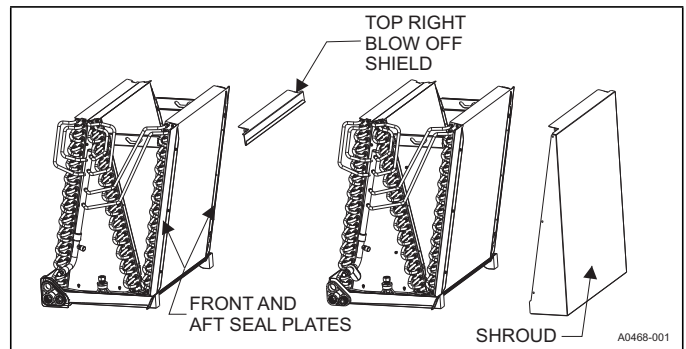


FIGURE 10: Diverter Shroud Installation

SECTION V: DUCT CONNECTIONS

Air supply and return may be handled in one of several ways best suited to the installation. Upflow, horizontal or downflow applications may be used.

The vast majority of problems encountered with heating and cooling systems can be linked to improperly designed or installed duct systems. To help ensure a successful installation, the duct system must be properly designed and installed.

Use flexible duct connectors to minimize the transmission of vibration/noise into the conditioned space.

⚠ WARNING

Use 1/2" screws to connect duct work to cabinet. If pilot holes are drilled, drill only through field duct and unit flange.

Where return air duct is short, or where sound may be a problem, acoustical duct liner should be used inside the duct. Insulation of duct work is a must where it runs through an unheated space during the heating season or through an uncooled space during the cooling season. The use of a vapor barrier is recommended to prevent absorption of moisture from the surrounding air into the insulation.

The supply air duct should be properly sized by use of a transition to match unit opening. All ducts should be suspended using flexible hangers and never fastened directly to the structure. Duct work should be fabricated and installed in accordance with local and/or national codes. This includes the standards of the National Fire Protection Association for Installation of Air Conditioning and Ventilating Systems, NFPA No. 90B.

CAUTION

Equipment should never be operated without filters.

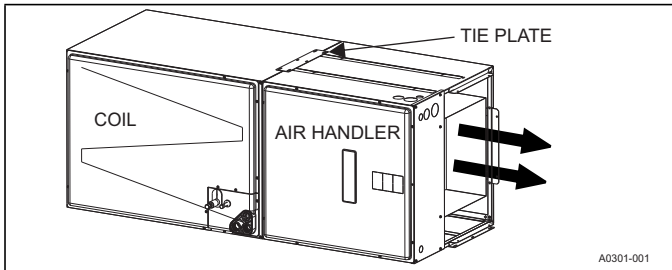


FIGURE 11: CM Horizontal Right Application with Modular Air Handler

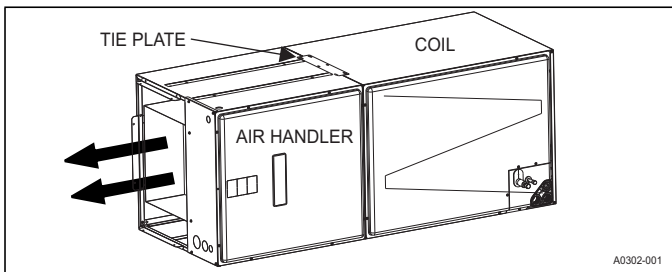


FIGURE 12: CM Horizontal Left Application with Modular Air Handler

SECTION VI: CONDENSATE DRAIN CONNECTIONS

All drain lines should be pitched 1/4-inch per foot away from unit drain pan and should be no smaller than the coil drain connection.

Route the drain line so that it doesn't interfere with accessibility to the coil, furnace, air handling system or filter and will not be exposed to freezing temperatures.

Instruct the owner that the evaporator coil drain pan should be inspected and cleaned regularly to prevent odors and assure proper drainage.

NOTICE

When the coil is installed in an attic or above a finished ceiling, an auxiliary drain pan must be provided under the coil as is specified by most local building codes.

Coils should be installed level or pitched slightly toward the drain end. Suggested pitch should not exceed 1/4-inch per foot of coil.

If the coil is provided with a secondary drain it should be piped to a location that will give the occupant a visual warning that the primary drain is clogged. If a secondary drain is not used it must be plugged. See Figure 21 or 22.

CAUTION

Avoid Double Trapping.

CAUTION

Threaded drain connections should be hand tightened, plus no more than 1 turn.

DO NOT use Teflon™ tape, pipe thread compound, or other sealants. The use of a sealant may cause damage and premature failure of the drain pan.

NOTICE

If the coil is installed in a draw-thru application (modular air handler), it is recommended to trap the primary and secondary drain line. If the secondary drain line is not used, it must be plugged.

SECTION VII: REFRIGERANT LINE CONNECTION

CAUTION

Coil is under inert gas pressure. Relieve pressure from coil by depressing Schrader core at end of suction manifold stub.

CAUTION

Dry nitrogen should always be supplied through the tubing while it is being brazed, because the temperature required is high enough to cause oxidation of the copper unless an inert atmosphere is provided. The flow of dry nitrogen should continue until the joint has cooled. Always use a pressure regulator and safety valve to insure that only low pressure dry nitrogen is introduced into the tubing. Only a small flow is necessary to displace air and prevent oxidation.

NOTICE

Avoid handling aluminum coil components after handling the copper line set or other tubing without first cleaning hands.

Connect lines as follows:

NOTICE

Route the refrigerant lines to the coil in a manner that will not obstruct service access to the coil, air handling system, furnace flue or filter.

1. Suction and liquid line connections are made outside the cabinet. Leave the tubing connection panel attached to the cabinet. Coil access panel should be removed for brazing. The lines are expanded to receive the field line set tubes for most outdoor unit matches.
2. Remove grommets where tubes exit the cabinet to prevent burning them during brazing. In some units, the vapor line grommet may be shipped as a loose part with the unit. Refer to Figure 13.
3. Cut the end of the suction tube using a tube cutter. Place the tube cutter as close as possible to the end of the tube to allow as much depth as possible for the connection and brazing of the suction line. To ensure suction line fits into connection, deburr the stub out (including inner pressure protrusion from cutting).
4. If coil does not have a factory installed TXV, install the required size piston or TXV kit. See coil metering devices section for detailed instructions.
5. If the coil does have a factory installed TXV, remove the liquid line copper cap which is soft soldered onto the outside of the 3/8" stub protruding from front of the coil cabinet tubing panel as follows:
 - a. Screw a sheet metal screw into the center of the cap.
 - b. Apply a small amount of heat to the cap while pulling on the screw using slip joint pliers.
6. Insert liquid and suction lines into the coil connections at the coil cabinet tubing panel.
7. Wrap a water soaked rag around the coil connection tubes inside the cabinet to avoid transferring excess heat to the coil or TXV.
8. Purge refrigerant lines with dry nitrogen.

NOTICE

All indoor coil connections are copper-to-copper and should be brazed with a phosphorous-copper alloy material such as Silfos-5 or equivalent. DO NOT use soft solder.

9. Braze the suction and liquid lines, and allow the joints to cool.
10. Route the TXV sensing bulb through suction line opening.
11. Secure sensing bulb and equalizer line capillary tubes with nylon cable ties to prevent leaks from tubes rubbing.
12. If piston is used, install Schrader core into suction header, and reinstall cap.
13. Re-attach the grommets to the lines carefully to prevent air leakage. In some units, the vapor line grommet may be shipped as a loose part with the unit. Refer to Figure 13.
14. Attach the coil access panel to the cabinet.
15. Refer to Outdoor unit Installation Manual, and accomplish evacuation, leak check and charging instructions. Check all field brazed joints and metering device connections.
16. Ensure lines are sound isolated by using appropriate hangers or strapping.

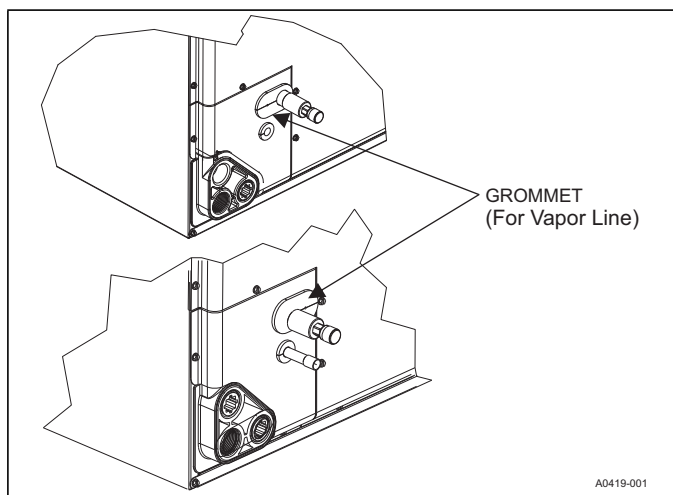


FIGURE 13: Vapor Line Grommet

SECTION VIII: COIL METERING DEVICES

A piston or a TXV is to be installed in the field. There is an installation manual that comes with the TXV kit. It is recommended to install the piston or TXV kit prior to installation of coil and brazing of line set. Until brazing is completed and cooled, the TXV sensing bulb must not be installed.

The outdoor technical guide for outdoor units should be consulted for required piston or TXV on the indoor coil. The piston and the Schrader core are supplied with the outdoor unit. When the piston is used instead of the TXV, the Schrader core is installed in the suction line equalizer connection port and is capped with the supplied plastic cap. The Schrader core must not be installed if the TXV is installed, because the TXV equalizer line attaches to the equalizer connection port.

CAUTION

COIL UNDER PRESSURE.

Verify that pressure has been released by depressing Schrader valve core shown in Figure 1.

The coil requires a metering device to be added.

See outdoor unit documentation for correct TXV or piston to be used.

NOTICE

To prevent moisture and contaminants from entering the system, the coil should not be open to atmosphere for extended periods of time. If the coil cannot be brazed into the refrigeration system during a routine installation period, the ends should be temporarily closed or plugged. For a short term delay, use masking tape over the ends of the copper tubing to close the tube from the air. For a longer term delay, use plugs or caps. There is no need to purge the coil if this procedure is followed.

PISTON INSTALLATION

WARNING

Failure to install Schrader Valve Core in the vapor line equalizer connection port for piston applications could result in total refrigerant loss of the system!

Install Schrader Valve Core and Piston as follows:

1. After holding charge is completely discharged, remove black plastic cap from equalizer connection port on the vertical part of the vapor line.
2. Distributor position must be adjusted to allow the preformed liquid line assembly to properly line up with the hole in the tubing access panel. Raise the distributor body approximately 2" toward the top of the coil or what would be the top of the coil if coil was in the upflow position. See Figure 14. Adjust as necessary.
3. Install Schrader valve core supplied with the outdoor unit into the equalizer fitting connection port using a valve core tool.
4. Loosen and remove the liquid line connection nut and the sealing disc from the distributor assembly. Note that the fitting has right hand threads.
5. Slide the nut over the liquid line to be installed, and discard the seal disc.
6. Install required size piston into the distributor. Refer to supplied Tabular Data Sheet for specific piston size and indoor coil match up. See Figure 15.
7. Verify that the Teflon washer is still in place in the distributor opening. See Figure 15.

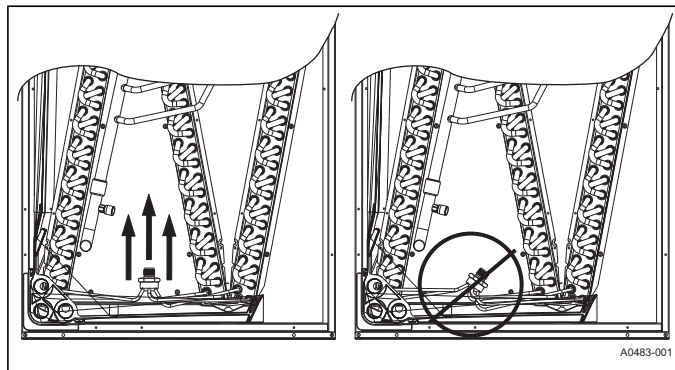


FIGURE 14: Recommended Distributor Adjustment

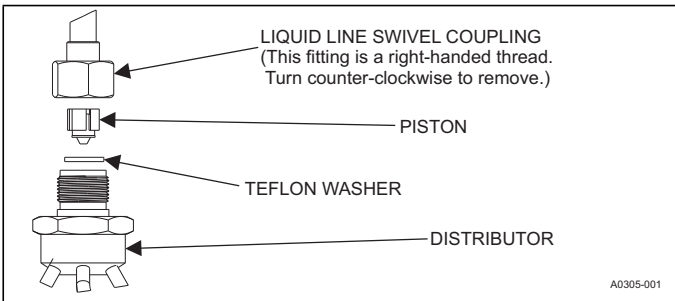


FIGURE 15: Piston Installation

CAUTION
 Do not overtorque. Do not use slip joint pliers. This will distort the aluminum distributor and the brass fitting (potentially causing leaks).

8. After piston is installed, install the liquid line to the top of the piston/distributor assembly. Hand tighten, and turn an additional 1/4 turn to seal. Do not over tighten fittings.
9. Replace black plastic cap on unused equalizer fitting connection port.
10. After line set is installed, leak test the system.

THERMOSTATIC EXPANSION VALVE (TXV) INSTALLATION

CAUTION
 Outdoor unit model numbers ending with an "H" have a factory installed hard start kit which is required when a TXV is installed. Outdoor unit model numbers with no "H" ending do not require a hard start kit unless local regulations dictate it.

The following are basic steps for installation. For detailed instructions, refer to the Installation Instructions accompanying the TXV kit. Install TXV kit as follows:

IMPORTANT
 Refer to the Technical Guide for the unit to determine the proper TXV kit to be used on this product.

1. Relieve the holding charge by depressing Schrader core on the suction manifold stub out.
2. After holding charge is completely discharged, loosen and remove the Schrader core.
3. Place a backup wrench on distributor, loosen and remove brass distributor nut. Retain brass nut for use on liquid line. Keep Teflon washer in place and discard clear disk.
4. Install the thermal expansion valve to the distributor assembly with supplied fittings. Ensure Teflon washer is seated in distributor. Hand tighten and turn an additional 1/4 turn to seal. Do not over-tighten fittings. See Figure 16.

CAUTION
 Do not over-torque. Do not use slip joint pliers. This will distort the aluminum distributor and the brass fitting (potentially causing leaks).

5. Slide the nut removed in step 3 over the supplied liquid line. Place supplied Teflon washer from TXV kit in place on TXV, and install liquid line to the top of the thermal expansion valve. Adjust assembly so liquid line aligns with hole in access panel. See Figure 14. Hand tighten the liquid line, and apply an additional 1/4 turn to seal.

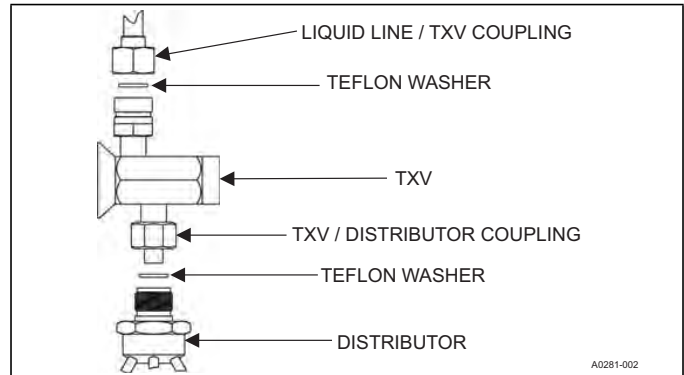


FIGURE 16: TXV Installation

WARNING
 Schrader valve core **MUST NOT** be installed with TXV installation. Poor system performance or system failure could result.

6. Install the TXV equalizer line onto the vapor line by hand tightening the 1/4" SAE coupling nut to the equalizer fitting, and apply an additional 1/3 turn to seal. See Figure 17.

CAUTION
 In all cases, mount the TXV temperature sensing bulb after vapor line is brazed and sufficiently cooled. Failure to use suction line split grommet may result in TXV failure.

7. Pass the temperature sensing bulb tube for the TXV through the tube opening in the split grommet of the access panel.
8. Install the TXV bulb to the vapor line near the cabinet, using the bulb clamp(s) furnished with the TXV assembly. Ensure the bulb is making maximum contact. See Figures 17 and 18, and accomplish the following:
 - a. If possible, install the temperature bulb on a horizontal run of the vapor line. Ensure that the bulb is installed at a 10 o'clock or 2 o'clock position.
 - b. If bulb installation is made on a vertical run, ensure that the bulb is a minimum of 8 inches (20.3 cm) away from elbow coming out of the coil. Position the bulb with the tail of the bulb at the top, so that the bulb acts as a reservoir. See Figure 19.
 - c. Insulate the bulb using thermal insulation provided to protect it from the effect of the surrounding ambient temperature. Cover completely to insulate.

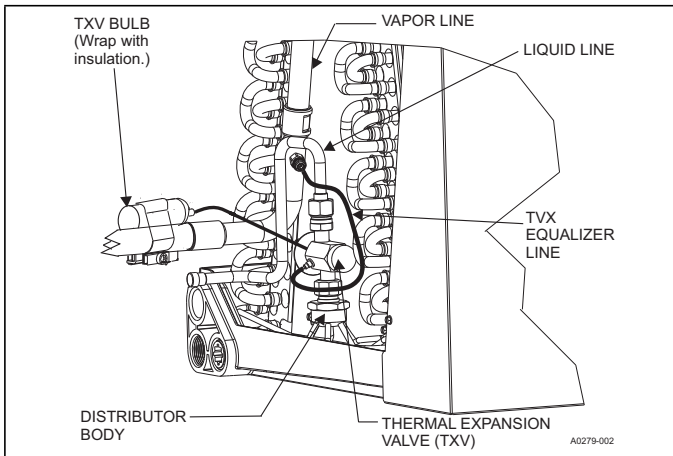


FIGURE 17: TXV Bulb and Equalizer line Installations

9. After line set is installed, leak test the system.

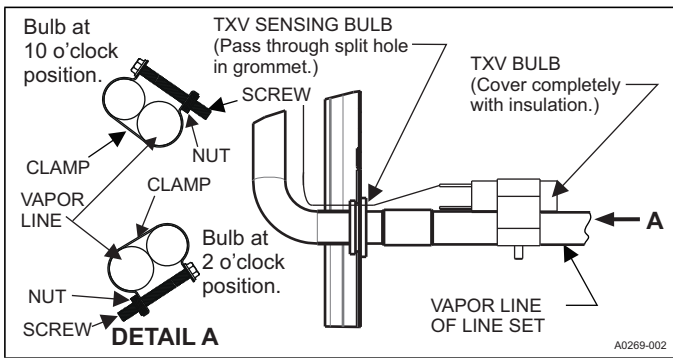


FIGURE 18: Proper Bulb Location

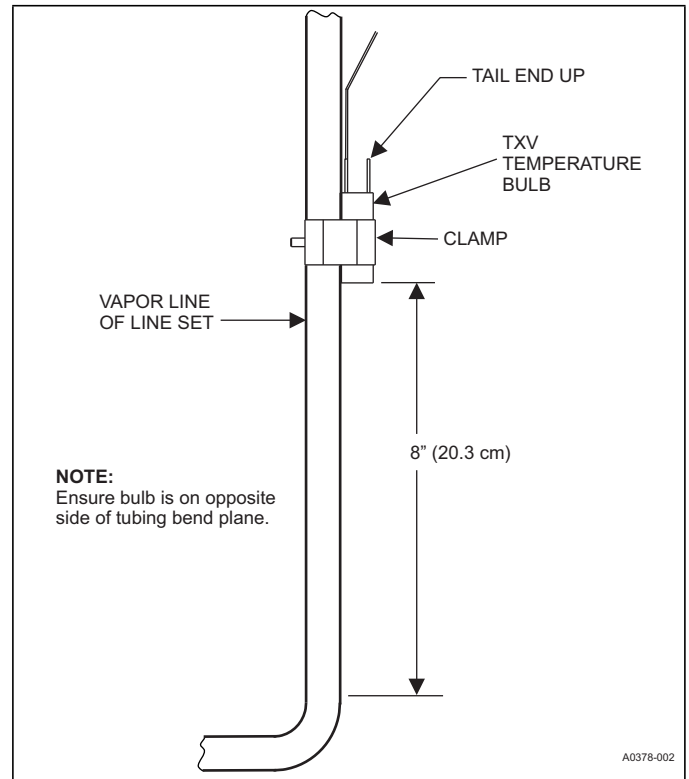


FIGURE 19: Vertical Temperature Bulb Orientation

COIL CLEANING

⚠ CAUTION

Ensure adequate precautions are taken to protect electrical components from liquid.

If the coil needs to be cleaned, it should be cleaned with water. As an alternative to water, EVAP-Green by Nu-Calgon is the only pH neutral coil cleaner approved to be used when it is properly diluted. ENSURE THE CLEANED COILS ARE THOROUGHLY RINSED AFTER USE OF EVAP-GREEN.

SECTION IX: AIR SYSTEM ADJUSTMENT

Refer to furnace or modular air handler instructions.

NOTICE

Tables 4 and 5 have DRY coil data. Run system indoor fan only for approximately 15 minutes prior to taking measurements to assure a dry coil.

TABLE 4: Air Flow Data - Static Pressure Drop for CM Models

Coil Size	CFM @ Static Pressure Drop - IWG						
	(Based on dry coil)						
	0.1	0.2	0.3	0.4	0.5	0.6	0.7
CM18A	500	700	840	997	1115	1221	1319
CM18B	670	960	1180	1340	1498	1641	1773
CM24A	490	710	850	980	1096	1200	1296
CM24B	760	1050	1330	1520	1699	1862	2011
CM24C	910	1330	1640	1820	2035	2229	2408
CM30A	520	750	950	1040	1163	1274	1376
CM30B	670	1000	1230	1340	1498	1641	1773
CM30C	970	1410	1710	1940	2169	2376	2566
CM30D	1180	1720	2100	2360	2639	2890	3122
CM36A	520	740	920	1040	1163	1274	1376
CM36B	710	1020	1210	1420	1588	1739	1878
CM36C	980	1420	1690	1960	2191	2400	2593
CM36D	1210	1750	2150	2420	2706	2964	3201
CM42C	970	1420	1750	1940	2169	2376	2566
CM42D	1190	1730	2130	2380	2661	2915	3148
CM48C	970	1450	1910	1940	2169	2376	2566
CM48D	1250	1820	2250	2500	2795	3062	3307
CM60C	910	1551	1930	1820	2035	2229	2408
CM60D	1220	1730	2140	2440	2728	2988	3228
CM64D	970	1540	1800	1940	2169	2376	2566

1. Dry coil conditions only, tested without filters.
 For optimal performance, external static pressures of 0.2" to 0.5" are recommended. Applications above 0.5" are not recommended.

TABLE 5: Air Flow Data - Static Pressure Drop for CF Models

Coil Size	CFM @ Static Pressure Drop - IWG						
	(Based on dry coil)						
	0.1	0.2	0.3	0.4	0.5	0.6	0.7
CF18A	515	720	870	1030	1152	1261	1363
CF18B	700	1000	1220	1400	1565	1715	1852
CF24A	500	730	880	1000	1118	1225	1323
CF24B	780	1090	1380	1560	1744	1911	2064
CF24C	950	1380	1700	1900	2124	2327	2513
CF30A	540	780	990	1080	1207	1323	1429
CF30B	690	1040	1280	1380	1543	1690	1826
CF30C	1000	1470	1780	2000	2236	2449	2646
CF30D	1230	1790	2180	2460	2750	3013	3254
CF36A	540	770	960	1080	1207	1323	1429
CF36B	740	1060	1250	1480	1655	1813	1958
CF36C	1020	1470	1260	2040	2281	2498	2699
CF36D	1250	1820	2330	2500	2795	3062	3307
CF42C	750	1100	1370	1500	1677	1837	1984
CF42D	1010	1470	1810	2020	2258	2474	2672
CF48C	1240	1790	2210	2480	2773	3037	3281
CF48D	1010	1500	1980	2020	2258	2474	2672
CF60C	1300	1890	2340	2600	2907	3184	3439
CF60D	950	1600	2000	1900	2124	2327	2513
CF64D	1270	1800	2220	2540	2840	3111	3360

1. Dry coil conditions only, tested without filters.
 For optimal performance, external static pressures of 0.2" to 0.5" are recommended. Applications above 0.5" are not recommended.

SECTION X: INSTALLATION VERIFICATION

Prior to and during the accomplishment of the installation procedures, verify all tasks are accomplished as illustrated in Figures 17 through 22.

THERMAL EXPANSION VALVE (TXV) CHECK LIST

- Is coil metering device installed correctly?
- Was correct TXV installed per the outdoor unit Technical Guide?
- Is TXV temperature bulb positioned correctly?
- Is TXV temperature bulb insulated?
- Is equalizer line connected?

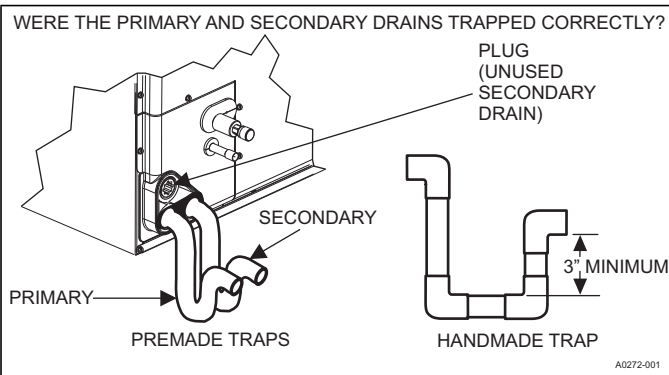


FIGURE 20: Drain Traps

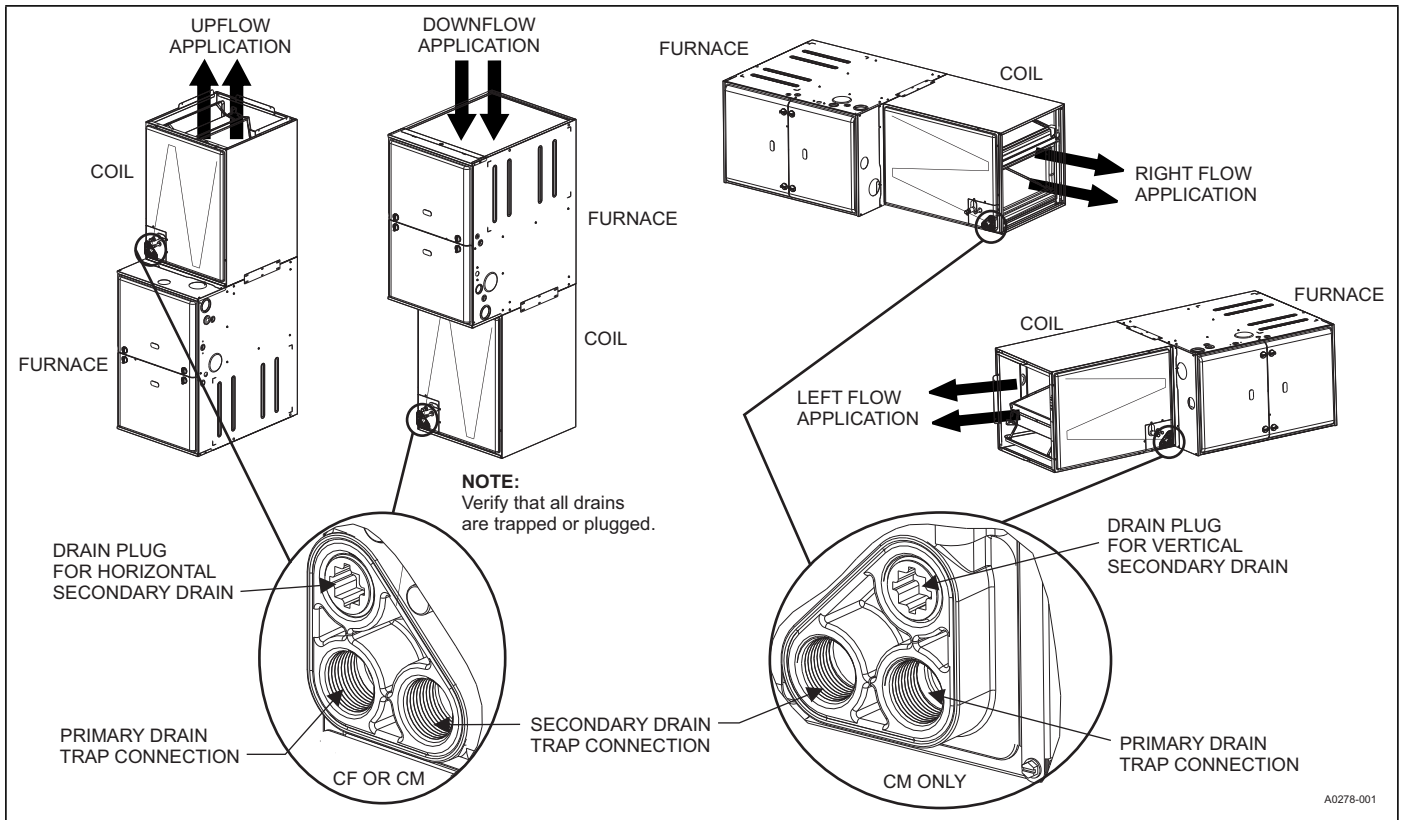


FIGURE 21: Location of Coil Trapped and Plugged Drain Connections with Furnace

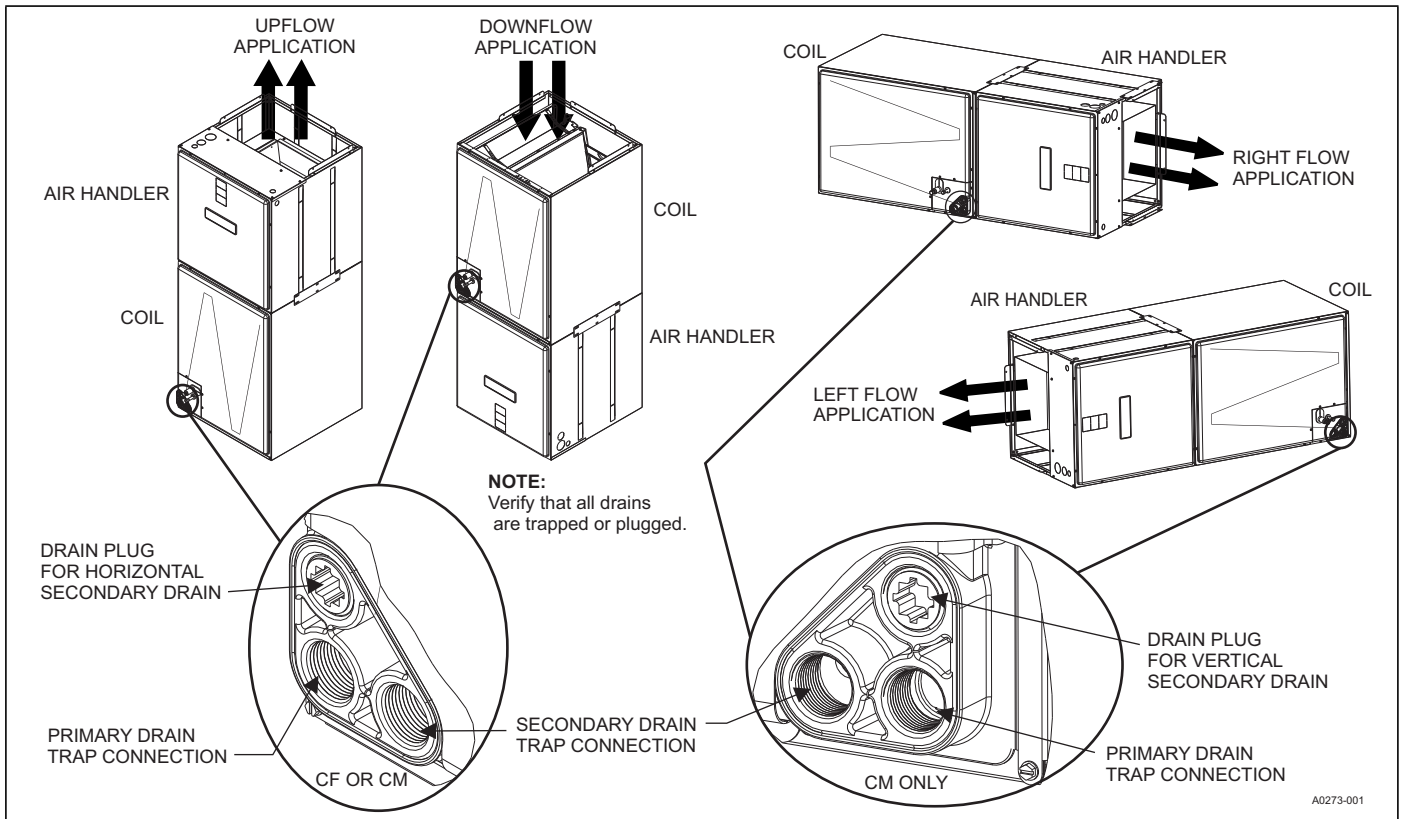


FIGURE 22: Location of Coil Trapped and Plugged Drain Connections with Modular Air Handler

NOTES