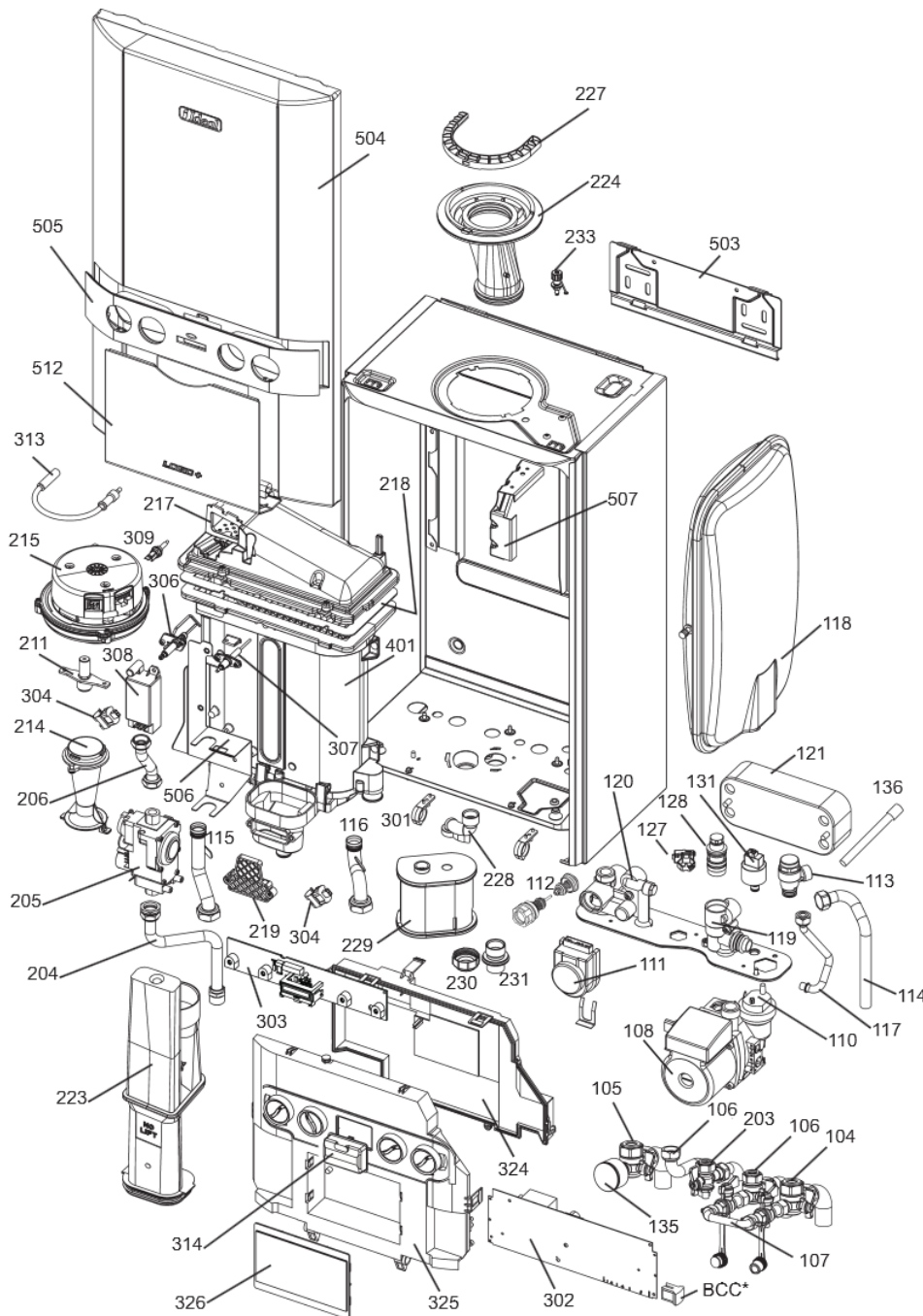


CLICK ANYWHERE on THIS PAGE to RETURN to IDEAL BOILERS MANUALS & REPAIR GUIDES at [InspectApedia.com](http://InspectApedia.com)



- 104 CH Return Valve
- 105 CH Flow Valve
- 106 DHW Inlet & Outlet
- 107 Filling Loop
- 108 Pump Head
- 110 Air Vent Pump
- 111 Divertor Valve Head
- 112 Divertor Valve Cartridge
- 113 Pressure Relief Valve
- 114 Pipe - PRV Outlet
- 115 Pipe - Flow
- 116 Pipe - Return
- 117 Pipe - Expansion Vessel
- 118 Expansion Vessel
- 119 Return Group Manifold
- 120 Flow Group Manifold
- 121 Plate Heat Exchanger
- 127 Flow Sensor Hall Effect
- 128 Flow Turbine Cartridge
- 131 Water Pressure Transducer
- 135 Pressure Gauge
- 203 Gas Cock
- 204 Pipe - Gas Inlet
- 205 Gas Valve
- 206 Pipe - Gas Injector
- 211 Injector Assembly
- 214 Venturi
- 215 Fan
- 217 Burner
- 218 Gasket - Burner
- 219 Sump Clean Out Cover
- 223 Flue Manifold
- 224 Flue Manifold Top
- 227 Clamp Retaining Flue Turret
- 228 Hose Condensate Internal
- 229 Siphon Trap
- 230 Siphon Trap Cap & Seal
- 231 Condensate Outlet Connection
- 233 Flue Sensing Nipple
- 301 Ctrl Box Fixings Hings & Spring
- 302 Primary PCB\*
- 303 CUI Board
- 304 Control Thermistor (Flow/Return)
- 306 Electrode Ignition
- 307 Electrode Detection
- 308 Ignitor Unit
- 309 Thermistor No flow
- 313 Ignition Lead
- 314 Control Box Lens
- 324 Control Box Lid
- 325 Control Box Front
- 326 Programmer Insert
- 401 Heat Engine
- 503 Wall Mounting Bracket
- 504 Front Panel
- 505 Fascia
- 506 Bracket - Gas Valve
- 507 Bracket - Expansion Vessel
- 136 Safety Valve Drain Pipe
- 512 Drop Down Door