

HydroTherm®

CLICK ANYWHERE on THIS PAGE to
RETURN to HYDROTHERM BOILER
INFORMATION at InspectApedia.com



HVX

Gas-fired residential boilers
Models 70-175

Boiler manual
Installation and
operation instructions



WARNING This manual is intended only for use by a qualified heating installer/technician. Read and follow this manual, all supplements and related instructional information provided with the boiler. Install, start and service the boiler only in the sequence and methods given in these instructions. Failure to do so can result in severe personal injury, death or substantial property damage.

WARNING **Do not use the boiler during construction.** Construction dust and particulate, particularly drywall dust, will cause contamination of the burner, resulting in possible severe personal injury, death or substantial property damage. The boiler can only be operated with a dust-free air supply. Follow the instruction manual procedures to duct air to the boiler air intake. If the boiler has been contaminated by operation with contaminated air, follow the instruction manual guidelines to clean, repair or replace the boiler if necessary.

CAUTION Affix these instructions near to the boiler/water heater. Instruct the building owner to retain the instructions for future use by a qualified service technician, and to follow all guidelines in the User's Information Manual.

INSTALLATION AND OPERATING INSTRUCTIONS

TABLE OF CONTENTS

USING THIS MANUAL	2
A. INSTALLATION SEQUENCE	2
B. SPECIAL ATTENTION BOXES	2
1. PREINSTALLATION	3
A. ACCESSIBILITY CLEARANCES	3
B. CLEARANCE FROM COMBUSTIBLE CONSTRUCTION	3
C. AIR FOR COMBUSTION AND VENTILATION	3
D. PLANNING THE LAYOUT	6
E. MASSACHUSETTS INSTALLATIONS	6
2. BOILER SET-UP	7
3. WATER PIPING AND CONTROLS	8
A. BOILER SUPPLY AND RETURN	8
B. SAFETY RELIEF VALVE	9
C. PIPING FOR ZONED SYSTEMS	10
D. EXPANSION TANK	11
E. INDIRECT-FIRED WATER HEATER	11
F. FREEZE PROTECTION	11
4. VENTING	12
A. GENERAL	12
B. CHIMNEY VENTING	12
C. DIRECT EXHAUST HORIZONTAL VENTING	12
D. DIRECT EXHAUST VERTICAL VENTING	15
E. BOILER REMOVAL FROM COMMON VENTING SYSTEM	16
5. GAS PIPING	17
6. ELECTRICAL	19
A. WIRING	19
B. ZONED SYSTEM WIRING	19
C. CONTROLS	19
D. SEQUENCE OF OPERATION	20
7. START-UP PROCEDURES	23
A. COMPLETING THE INSTALLATION	23
B. CONTROL DESCRIPTIONS	25
C. ADJUSTMENT OF GAS PRESSURE REGULATOR	25
D. CHECKING BURNER INPUT	25
E. CHECK-OUT PROCEDURE	25
8. TROUBLESHOOTING	27
A. SHUT-DOWN CAUSED BY PILOT OUTAGE, PRESSURE SWITCH OR FLAME ROLL-OUT SAFETY SHUT-OFF SWITCH	27
B. TROUBLESHOOTING GUIDES	27
C. MEASURING SUCTION PRESSURE	27

9. MAINTENANCE	30
A. GENERAL	30
B. DAILY (WITH BOILER IN USE)	30
C. WEEKLY (WITH BOILER IN USE)	31
D. MONTHLY (WITH BOILER IN USE)	31
E. ANNUALLY (BEFORE START OF HEATING SEASON)	31
10. BOILER DIMENSIONS & RATINGS	32
11. REPAIR PARTS	33
A. BLOCK/BASE/FLOOR PAN JACKET/FLUE COLLECTOR	33
B. BASE/BURNERS/MANIFOLD	34

USING THIS MANUAL

A. INSTALLATION SEQUENCE

Follow the installation instructions provided in this manual in the order shown. The order of these instructions has been set in order to provide the installer with a logical sequence of steps that will minimize potential interferences and maximize safety during boiler installation.

B. SPECIAL ATTENTION BOXES

Throughout this manual you will see special attention boxes intended to supplement the instructions and make special notice of potential hazards. These categories mean, in the judgment of the manufacturer:

DANGER

Indicates a condition or hazard which will cause severe personal injury, death or major property damage.

WARNING

Indicates a condition or hazard which may cause severe personal injury, death or major property damage.

CAUTION

Indicates a condition or hazard which will or can cause minor personal injury or property damage.

NOTICE

Indicates special attention is needed, but not directly related to potential personal injury or property damage.

1. PREINSTALLATION

Read carefully, study these instructions before beginning work.

This boiler must be installed by a qualified contractor.

The boiler warranty can be voided if the boiler is not installed, maintained and serviced correctly.

NOTICE

The equipment must be installed in accordance with those installation requirements of the authority having jurisdiction or, in the absence of such requirements, to the current edition of the *National Fuel Gas Code*, ANSI Z223.1/NFPA 54 and/or CAN/CSA B149.1, *Natural Gas and Propane Installation Code*.

Where required by the authority having jurisdiction, the installation must conform to *American Society of Mechanical Engineers Safety Code for Controls and Safety Devices for Automatically Fired Boilers*, ANSI/ASME CSD-1.

A. ACCESSIBILITY CLEARANCES

Install boiler not less than 24" (610 mm) between the left side, top, and front of the boiler and adjacent wall or other appliance, when access is required for servicing.

B. CLEARANCE FROM COMBUSTIBLE CONSTRUCTION

The design of this boiler is certified for closet installation with the following clearances:

1. 6" (152 mm) between sides, rear and front and combustible construction.
2. 24" (610 mm) between top of jacket and combustible construction.
3. 2" (51 mm) between vent pipe and combustible construction.

C. AIR FOR COMBUSTION AND VENTILATION

1. Adequate combustion air and ventilation air must be provided in accordance with section 5.3, Air for Combustion and Ventilation, of the *National Fuel Gas Code*, ANSI Z223.1/NFPA 54, or Sections 7.2, 7.3 or 7.4 of CAN/CSA B149.1, *Natural Gas and Propane Installation Code* or applicable provisions of the local building code. Subsections 2 through 8 as follows are based on the *National Fuel Gas Code* requirements.
2. Required Combustion Air Volume: The total required volume of indoor air is to be the sum of the required volumes for all appliances located within the space. Rooms communicating directly with the space in which the appliances are installed and through combustion air openings sized as indicated in Subsection 3 are considered part of the required volume. The required volume of indoor air is to be determined by one of two methods.
 - a. **Standard Method**: The minimum required volume of indoor air (room volume) shall be 50 cubic feet per 1000 BTU/Hr (4.8 m³/kW). This method is to be used if the air infiltration rate is unknown or if the rate of air infiltration is known to be greater than 0.6 air changes per hour. As an option, this method may be used if the air infiltration rate is known to be between 0.6 and 0.4 air changes per hour. If the air infiltration rate is known to be below 0.4 then the *Known Air Infiltration Rate Method* must be used. If the building in which this appliance is to be installed is unusually tight, we recommend that the air infiltration rate be determined.
 - b. **Known Air Infiltration Rate Method**: Where the air infiltration rate of a structure is known, the minimum required volume of indoor air for the boiler and other fan assisted appliances shall be determined as follows:

$$\text{Required Volume}_{fan} = \frac{15 \text{ ft}^3}{\text{ACH}} \frac{I_{fan}}{1000 \text{ Btu/hr}}$$

DANGER

Do not install this boiler on combustible flooring unless it is installed on a special combustible floor pan provided by the manufacturer. Boiler installation on combustible flooring without the special pan is a fire hazard.

To order combustible floor pan, use the 5-digit stock codes listed in Section 11 of this manual.

DANGER

Do not install this boiler on carpeting. Boiler installation on carpeting is a fire hazard. Install this boiler on non-combustible flooring or use a combustible floor pan to install this boiler on other non-carpeted flooring.

INSTALLATION AND OPERATING INSTRUCTIONS

where:

I_{fan} = Input of the fan assisted appliances in Btu/hr

ACH = air change per hour (percent of the volume of the space exchanged per hour, expressed as a decimal)

For appliances other than fan assisted, calculate the required volume of air using the following equation:

$$\text{Required Volume}_{other} = \frac{21 \text{ ft}^3}{\text{ACH}} \frac{I_{other}}{1000 \text{ Btu/hr}}$$

I_{other} = Input of appliances other than fan assisted in Btu/hr

Note: These calculations are not to be used for infiltration rates greater than 0.60 ACH.

3. **Indoor Air Opening Size and Location:** Openings connecting indoor spaces shall be sized and located as follows:

- a. **Combining spaces on the same floor:**

Provide two permanent openings communicating with additional spaces that have a minimum free area of 1 in² per 1000 Btu/hr (22 cm² per 1000 W) of the total input rating of all gas fired equipment but not less than 100 in² (645 cm²). One opening is to begin within 12 inches (305 mm) from the top of the space and the other is to begin within 12 inches (305 mm) from the floor. The minimum dimension of either of these openings shall be 3 inches (76 mm). See Figure 1.1 for an illustration of this arrangement.

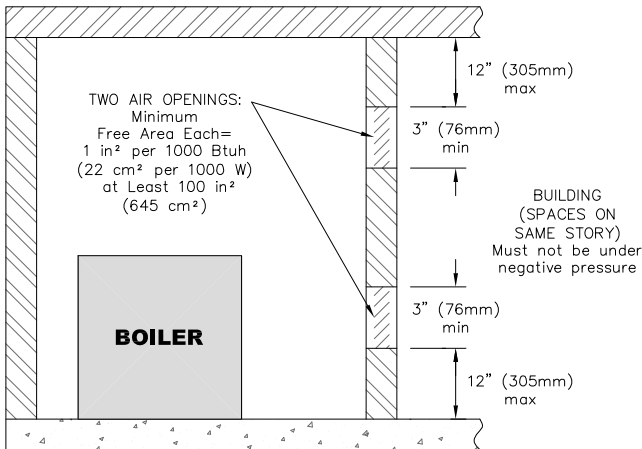


Figure 1.1: Air Openings - All Air from Indoors on the Same Floor

- b. **Combining spaces on different floors:**

Provide one or more permanent openings communicating with additional spaces that have a total minimum free area of 2 in² per 1000 Btu/hr (44 cm² per 1000 W) of total input rating of all equipment. See Figure 1.2 for an illustration of this arrangement.

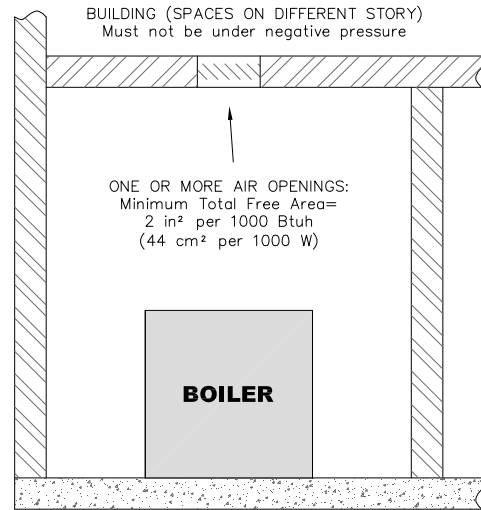


Figure 1.2: Air Openings - All Air from Indoors on Different Floors

4. **Outdoor Combustion Air:** Outdoor combustion air is to be provided through one or two permanent openings. The minimum dimension of these air openings is 3 inches (76 mm).

- a. **Two Permanent Opening Method:** Provide two permanent openings. One opening is to begin within 12 inches (305 mm) of the top of the space and the other is to begin within 12 inches (305 mm) of the floor. The openings are to communicate directly or by ducts with the outdoors or with spaces that freely communicate with the outdoors. The size of the openings shall be determined as follows:

- i. Where communicating directly or through vertical ducts with the outdoors each opening shall have a minimum free area of 1 in² per 4000 Btu/hr (22 cm² per 4000 W) of total input rating for all equipment in the space. See Figure 1.3 for openings directly communicating with the outdoors or Figure 1.4 for openings connected by ducts to the outdoors.

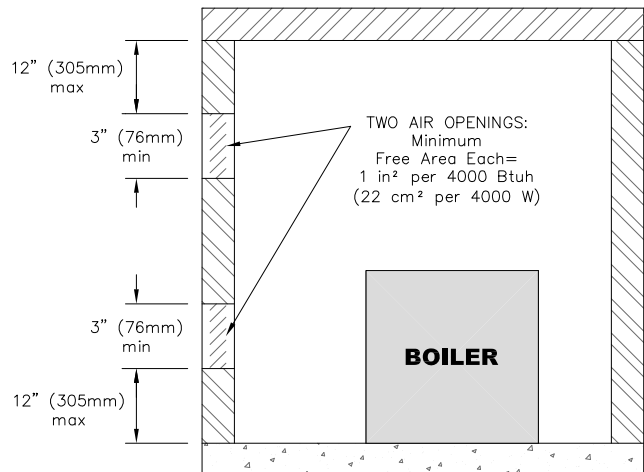


Figure 1.3: Air Openings - All Air Directly from Outdoors

INSTALLATION AND OPERATING INSTRUCTIONS

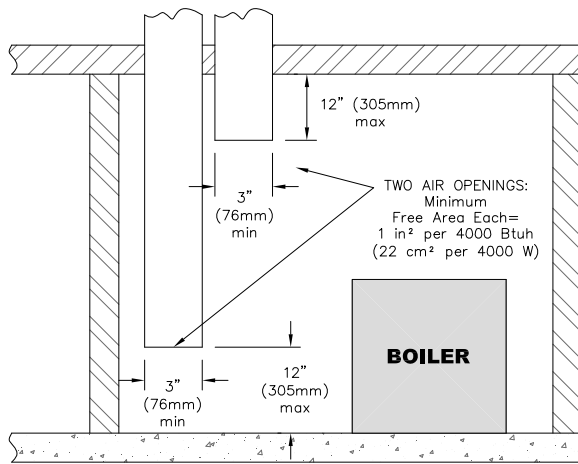


Figure 1.4: Air Openings – All Air from Outdoors through Vertical Ducts

- ii. Where communicating with the outdoors through horizontal ducts, each opening shall have a minimum free area of 1 in² per 2000 Btu/hr (22 cm² per 2000 W) of total rated input for all appliances in the space. See Figure 1.5.

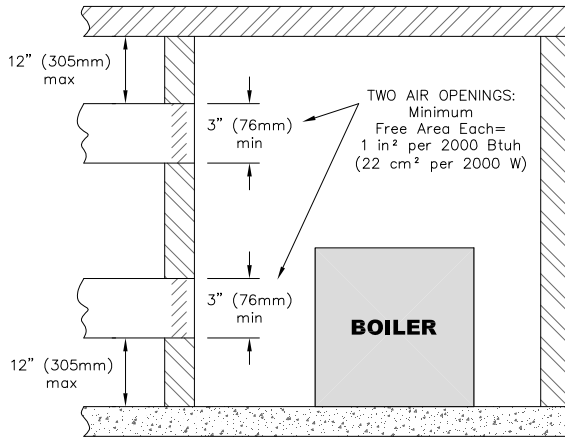


Figure 1.5: Air Openings – All Air from Outdoors through Horizontal Ducts

- b. **One Permanent Opening Method:** Provide one permanent opening beginning within 12 inches (305 mm) of the top of the space. The opening shall communicate directly with the outdoors, communicate through a vertical or horizontal duct, or communicate with a space that freely communicates with the outdoors. The openings shall have a minimum free area of 1 in² per 3000 Btu/hr of total rated input for all appliances in the space and not less than the sum of the cross-sectional areas of all vent connectors in the space. The gas fired equipment shall have clearances of at least 1 inch (25 mm) from the sides and back and 6 inches (150 mm) from the front of the appliance. See Figure 1.6 for this arrangement.

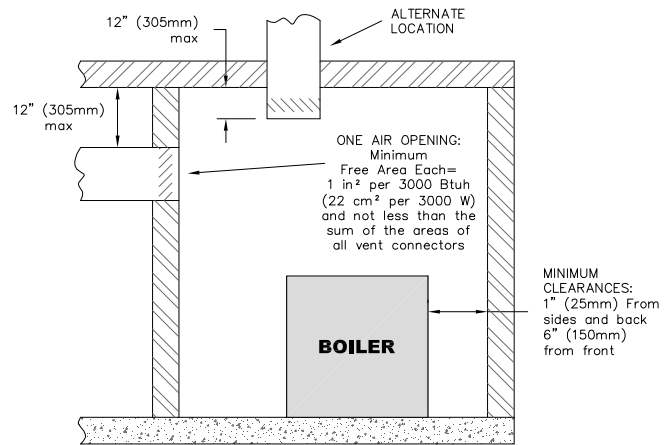


Figure 1.6: Air Openings – All Air from Outdoors through One Opening

- 5. **Combination Indoor and Outdoor Combustion Air:** If the required volume of indoor air exceeds the available indoor air volume, outdoor air openings or ducts may be used to supplement the available indoor air provided:
 - a. The size and location of the indoor openings comply with Subsection 3.
 - b. The outdoor openings are to be located in accordance with Subsection 4.
 - c. The size of the outdoor openings are to be sized as follows:

$$A_{req} = A_{full} \times \left(1 - \frac{V_{avail}}{V_{req}} \right)$$

where:

- A_{req} = minimum area of outdoor openings.
- A_{full} = full size of outdoor openings calculated in accordance with Subsection 4.
- V_{avail} = available indoor air volume
- V_{req} = required indoor air volume

- 6. **Engineered Installations:** Engineered combustion air installations shall provide an adequate supply of combustion, ventilation, and dilution air and shall be approved by the authority having jurisdiction.
- 7. **Mechanical Combustion Air Supply:**
 - a. In installations where all combustion air is provided by a mechanical air supply system, the combustion air shall be supplied from the outdoors at the minimum rate of 0.35 ft³/min per 1000 Btu/hr (0.034 m³/min per 1000 W) of the total rated input of all appliances in the space.
 - b. In installations where exhaust fans are installed, additional air shall be provided to replace the exhaust air.

INSTALLATION AND OPERATING INSTRUCTIONS

- c. Each of the appliances served shall be interlocked to the mechanical air supply to prevent main burner operation where the mechanical air supply system is not in operation.
 - d. In buildings where the combustion air is provided by the mechanical ventilation system, the system shall provide the specified combustion air rate in addition to the required ventilation air.
8. Louvers & Grills:
- a. The required size of openings for combustion, ventilation, and dilution air shall be based on the net free area of each opening.
 - i. Where the free area through a louver or grille is known, it shall be used in calculating the opening size required to provide the free area specified.
 - ii. Where the free area through a louver or grille is not known, it shall be assumed that wooden louvers will have 25% free area and metal louvers and grilles will have 75% free area.
 - iii. Nonmotorized dampers shall be fixed in the open position.
 - b. Motorized dampers shall be interlocked with the equipment so that they are proven in the full open position prior to ignition and during operation of the main burner.
 - i. The interlock shall prevent the main burner from igniting if the damper fails to open during burner startup.
 - ii. The interlock shall shut down the burner if the damper closes during burner operation.
9. Combustion Air Ducts:
- a. Ducts shall be constructed of galvanized steel or an equivalent corrosion-resistant material.
 - b. Ducts shall terminate in an unobstructed space, allowing free movement of combustion air to the appliances.
 - c. Ducts shall serve a single space.
 - d. Ducts shall not serve both upper and lower combustion air openings where both such openings are used. The separation between ducts serving upper and lower combustion air openings shall be maintained to the source of combustion air.
 - e. Ducts shall not be screened where terminating in an attic space.
 - f. Horizontal upper combustion air ducts shall not slope downward toward the source of the combustion air.
 - g. The remaining space surrounding a chimney liner, gas vent, special gas vent, or plastic piping installed within a masonry, metal, or factory built chimney shall not be used to supply combustion air.
 - h. Combustion air intake openings located on the exterior of buildings shall have the lowest side of the combustion air intake opening at least 12 inches (305 mm) above grade.

WARNING

Liquefied Petroleum (LP) is heavier than air and may collect or “pool” in a low area in the event of a leak from defective equipment. This gas may then ignite, resulting in a fire or explosion.

D. PLANNING THE LAYOUT

Prepare sketches and notes of the layout to minimize the possibility of interferences with new or existing equipment, piping, venting and wiring.

E. MASSACHUSETTS INSTALLATIONS

Massachusetts requires manufacturers of Side Wall Vented boilers to provide the following information from the Massachusetts code:

- A hard wired carbon monoxide detector with an alarm and battery back-up must be installed on the floor level where the gas equipment is to be installed AND on each additional level of the dwelling, building or structure served by the side wall horizontal vented gas fueled equipment.
- In the event that the side wall horizontally vented gas fueled equipment is installed in a crawl space or an attic, the hard wired carbon monoxide detector with alarm and battery back-up may be installed on the next adjacent floor level.
- Detector(s) must be installed by qualified licensed professionals.
- APPROVED CARBON MONOXIDE DETECTORS: Each carbon monoxide detector shall comply with NFPA 720 and be ANSI/UL 2034 listed and IAS certified.
- SIGNAGE: A metal or plastic identification plate shall be permanently mounted to the exterior of the building at a minimum height of eight (8) feet above grade directly in line with the exhaust vent terminal for the horizontally vented gas fueled heating appliance or equipment. The sign shall read, in print size no less than one-half (1/2) inch in size, **“GAS VENT DIRECTLY BELOW. KEEP CLEAR OF ALL OBSTRUCTIONS”**.

INSTALLATION AND OPERATING INSTRUCTIONS

- EXEMPTIONS to the requirements listed above:
 - The above requirements do not apply if the exhaust vent termination is seven (7) feet or more above finished grade in the area of the venting, including but not limited to decks and porches.
 - The above requirements do not apply to a boiler installed in a room or structure separate from the dwelling, building or structure used in whole or in part for residential purposes. See the latest edition of Massachusetts Code 248 CMR for complete verbage and also for additional (non-vent related) requirements (248 CMR is available online).

If your installation is NOT in Massachusetts, please see your authority of jurisdiction for requirements that may be in effect in your area. In the absence of such requirements, follow the *National Fuel Gas Code*, ANSI Z223.1/NFPA 54 and/or CAN/CSA B149.1, *Natural Gas and Propane Installation Code*.

Venting System Installation Instructions – See boiler manual and instructions provided with the Venting System components. Additional copies may be obtained from the Venting System Manufacturer by visiting the following web addresses:

Heat-Fab – www.selkirkcorp.com/heatfab

Z-Flex – www.NovaFlex.com

Pro-Tech – www.protechinfo.com

Metal-Fab – www.mtlfab.com

2. BOILER SET-UP

1. Provide a sound, level foundation. Locate boiler as near to the chimney or outside wall as possible and centralized with respect to the heating system.
2. Locate boiler in front of installation position before removing crate.
3. If using combustible floor pan, position pan on foundation or flooring.
4. Separate the wood shipping pallet from the boiler base by removing two (2) hold-down bolts at each end of the boiler base.
5. Move boiler into final position. If using combustible floor pan, install boiler on pan as outlined in the instructions included with the pan.

3. WATER PIPING AND CONTROLS

A. BOILER SUPPLY AND RETURN

1. Size the supply and return to suit the system. A typical piping arrangement is shown in Figure 3.1. Refer also to the I=B=R Guide to Residential Hydronic Heating Installation/Design for additional guidance during water piping installation.
2. Return Piping:
 - a. Pipe the outlet connection of the circulator to a tee, provided with a drain valve, at the 1-1/4 NPT return tapping near the bottom of the left section. Pipe the return to the inlet connection of the circulator.
3. Supply Piping:
 - a. Pipe the supply to the 1-1/2 NPT supply tapping at the top of the boiler.
4. When system return water temperature will be below 130°F (54°C), pipe the boiler with a bypass arrangement to blend the system return and hot supply to obtain at least 130°F (54°C) entering the boiler.
5. If desired, install the circulator in the alternate location shown in Figure 3.1.

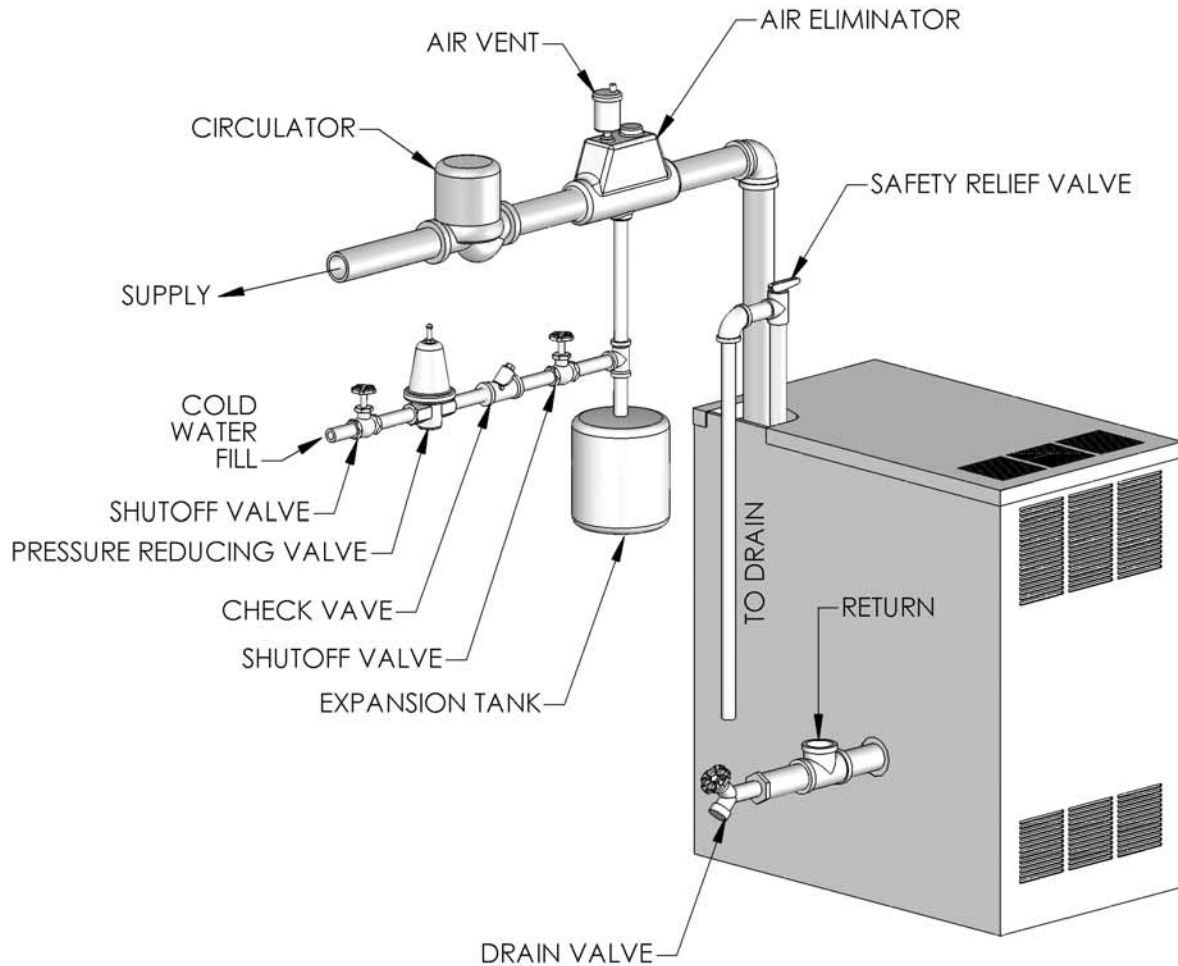


Figure 3.1: Supply and Return Piping

INSTALLATION AND OPERATING INSTRUCTIONS

6. Install this boiler so that the gas ignition system components are protected from water (dripping, spraying, etc.) during appliance operation and service (circulator replacement, condensate trap, control replacements, etc.).
7. If this boiler and distribution system is used in conjunction with a refrigeration system, pipe the chilled medium in parallel with the boiler and install the proper valve to prevent the chilled medium from entering the boiler. A drawing illustrating this hook-up is provided in Figure 3.2.
8. When the boiler is connected to heating coils located in air handling units where they may be exposed to refrigerated air circulation, install flow control valves or other automatic means to prevent gravity circulation of the boiler water during the cooling cycle.
9. If this boiler is installed above radiation level, provide a low water cutoff device, either as a part of the boiler or at the time of boiler installation.

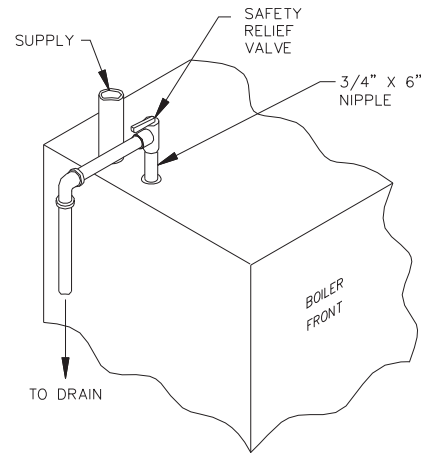


Figure 3.3: Safety Relief Valve Hook-Up Installation with Air Elimination in System Piping

B. SAFETY RELIEF VALVE

1. Locate safety relief valve and fittings in bag assembly.
2. If air elimination is not required at the safety relief valve tapping, install valve and piping as shown in Figure 3.3.
3. For air elimination at the safety relief valve tapping, install valve and piping as shown in Figure 3.4.

⚠ CAUTION

Pipe the discharge of safety relief valve to prevent injury in the event of pressure relief. Pipe the discharge to a drain. Provide piping that is the same size as the safety relief valve outlet.

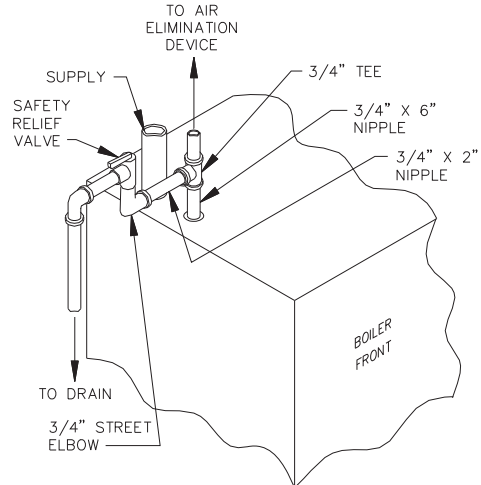


Figure 3.4: Safety Relief Valve Hook-Up with Air Elimination

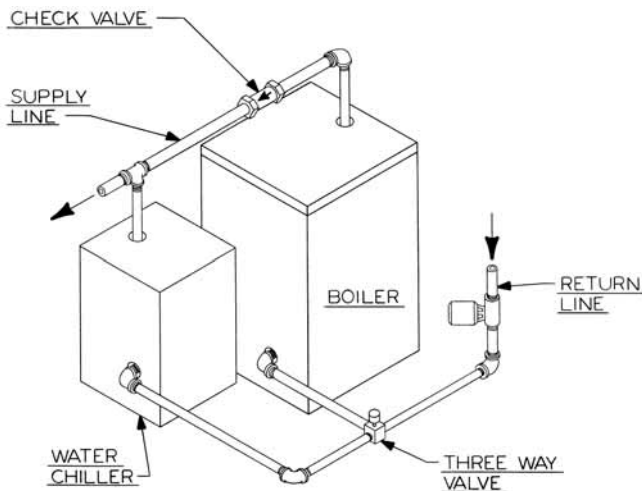


Figure 3.2: Parallel Hook-up with Water Chiller

INSTALLATION AND OPERATING INSTRUCTIONS

C. PIPING FOR ZONED SYSTEMS

1. See Figures 3.5 and 3.6 for basic zoned system layouts.
2. Run each zone pipe down then up to zone to prevent air accumulation in piping.
3. If required, provide means to isolate and drain each zone separately.

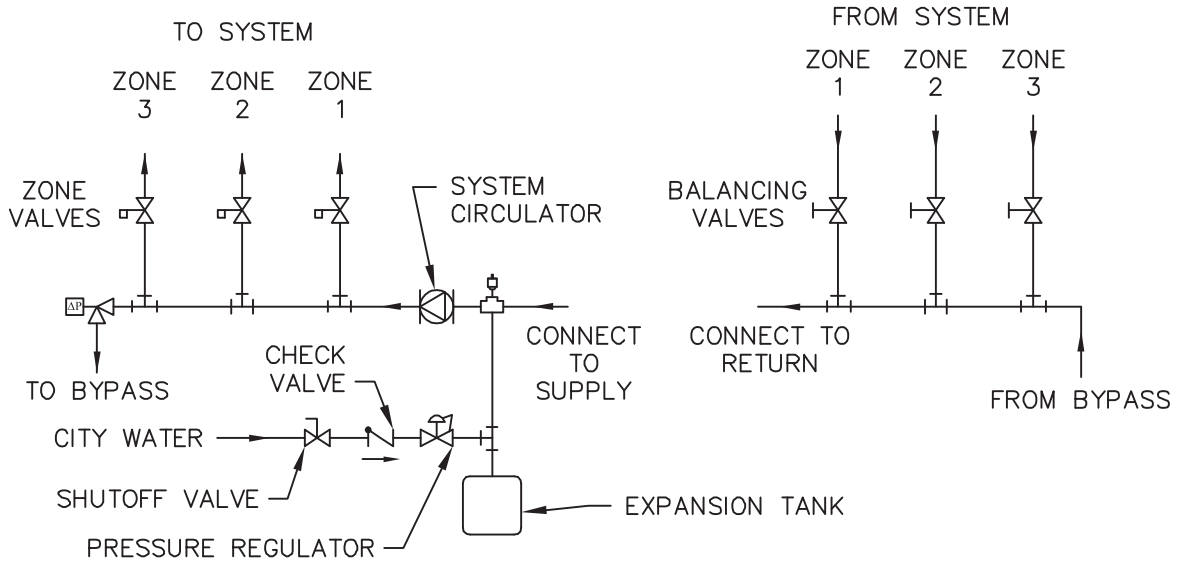


Figure 3.5: Zone Piping with Zone Valves

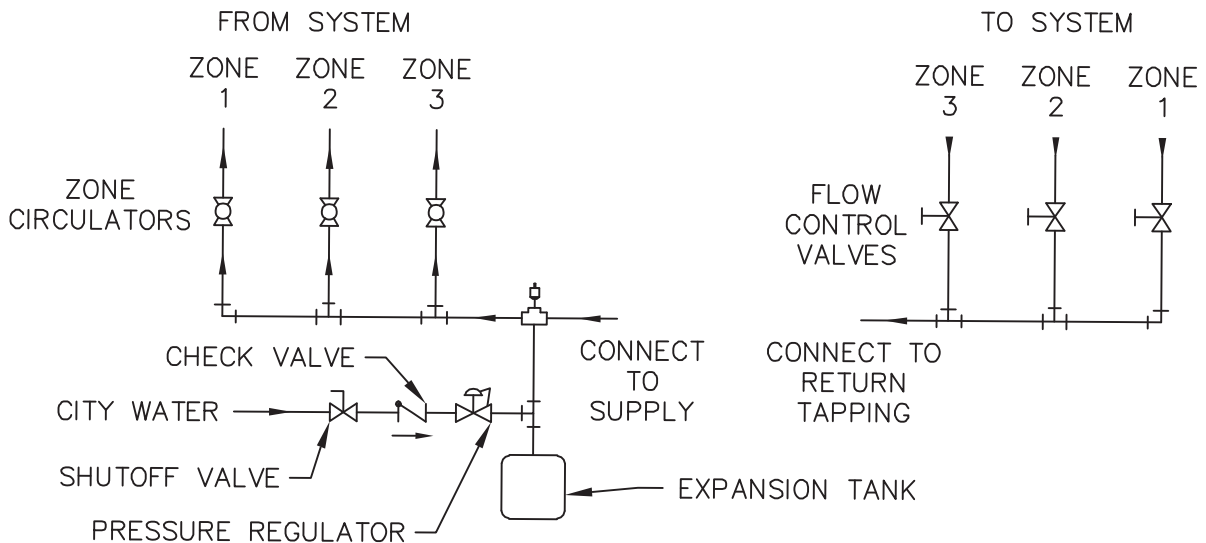


Figure 3.6: Zone Piping with Circulators

INSTALLATION AND OPERATING INSTRUCTIONS

D. EXPANSION TANK

1. Consult the tank manufacturer's instructions for specific information relating to tank installation. Size the expansion tank for the required system volume and capacity. See Table 10.2 in Section 10 for boiler water capacity.
2. Expansion tanks are available with built-in fill valves and check valves for reducing supply water pressure and maintaining minimum system pressure. Check the design features of the tank and provide valves as necessary.

Refer back to Figure 3.1 for typical expansion tank piping.

E. INDIRECT-FIRED WATER HEATER

If the boiler is to be used in conjunction with an indirect-fired water heater, refer to Figure 3.7 for typical piping. Follow the instructions provided by the water heater manufacturer. Pipe the water heater as a separate zone.

F. FREEZE PROTECTION

For new or existing systems that must be freeze-protected:

⚠ WARNING

Use only inhibited propylene glycol solutions of up to 50% by volume with water. Ethylene glycol is toxic and can attack gaskets and seals used in hydronic systems.

1. Glycol in hydronic applications is specially formulated for this purpose. It includes inhibitors which prevent the glycol from attacking metallic system components. Make certain that the system fluid is checked for the correct glycol concentration and inhibitor level.
2. The antifreeze solution should be tested at least once a year and as recommended by the antifreeze manufacturer.
3. Antifreeze solutions expand more than water. For example, a 50% by volume solution expands 4.8% in volume for a temperature increase from 32°F (0°C) to 180°F (82°C), while water expands 3% with the same temperature rise. Allowance must be made for this expansion in system design.

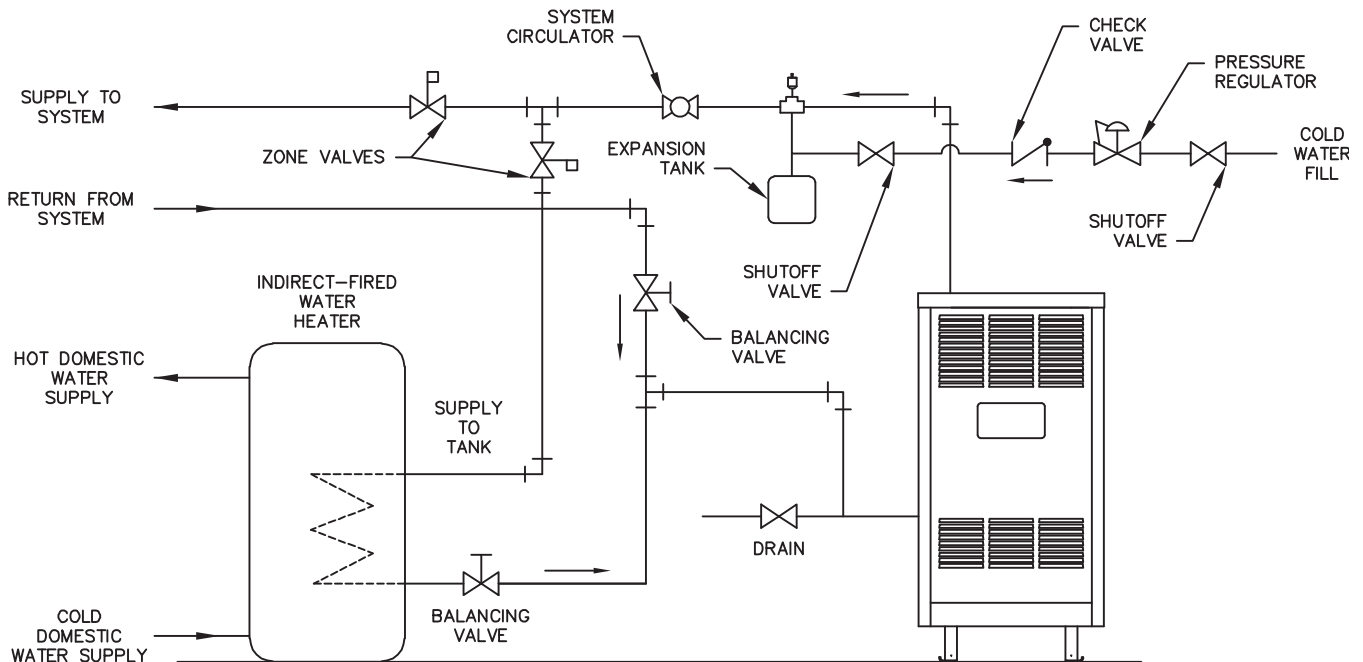


Figure 3.7: Typical Piping with Indirect-Fired Water Heater

4. VENTING

A. GENERAL

1. Install vent system in accordance with the "Venting of Equipment" Chapter of the *National Fuel Gas Code*, ANSI Z223.1/NFPA 54, the "Venting Systems and Air Supply for Appliances" Section of the CAN/CSA B149.1, *Natural Gas and Propane Installation Code*, or applicable provisions of the local building codes.
2. Do not connect vent connectors serving appliances vented by natural draft into any portion of mechanical draft systems operating under positive pressure.
3. Refer to the following venting options to determine which method is applicable.

⚠ WARNING

All joints of positive pressure vent systems must be sealed completely to prevent leakage of flue products into the living space.

B. CHIMNEY VENTING

If venting into a masonry chimney; chimney must be lined with a fire clay tile liner or corrosion resistant metal liner. Type B vent may also be used as a lining system or as a stand alone chimney vent.

1. The vent system, when installed per the following instructions, will operate with a negative pressure (draft).

2. Horizontal portions of the venting system shall slope upward at least 1/4" per lineal foot (21 mm per meter) between boiler and chimney. The vent pipe shall be supported to prevent sagging; using metal strapping or equivalent means at no more than 4 ft. (1.2 meter) intervals.
3. Locate fan adapter, silicone, hardware and fan adapter gasket in boiler miscellaneous parts box and attach to blower outlet flange. Refer to Fig. 4.1 for details.
4. Apply 1/4" (6 mm) bead of silicone around fan adapter and slip increaser over the fan adapter. Refer to Table 4.1 for increaser and chimney sizes.
Increaser to be provided by installer.
5. Single wall vent pipe should be furnished between increaser and chimney. If the vent connector shall be located in or pass through a cold area, the vent connector shall be type B material.

C. DIRECT EXHAUST; HORIZONTAL VENTING

⚠ NOTICE

Flue gases will condense as they exit the vent termination. This condensate can freeze on exterior building surfaces which may cause discoloration of these surfaces.

1. This vent system will operate with a positive pressure in the vent pipe. Follow vent pipe manufacturers instructions for proper assembly of vent pipe and fittings.

Table 4.1: Increaser & Chimney Size

Boiler Size	Increaser Size	Vent Size Diameter	Chimney Height
70	3" to 4" (7.6 to 10.2 cm)	4" (10.2 cm)	15' (4.5 m)
105	3" to 5" (7.6 to 12.7 cm)	5" (12.7 cm)	15' (4.5 m)
140	3" to 5" (7.6 to 12.7 cm)	5" (12.7 cm)	15' (4.5 m)
165	3" to 5" (7.6 to 12.7 cm)	5" (12.7 cm)	15' (4.5 m)

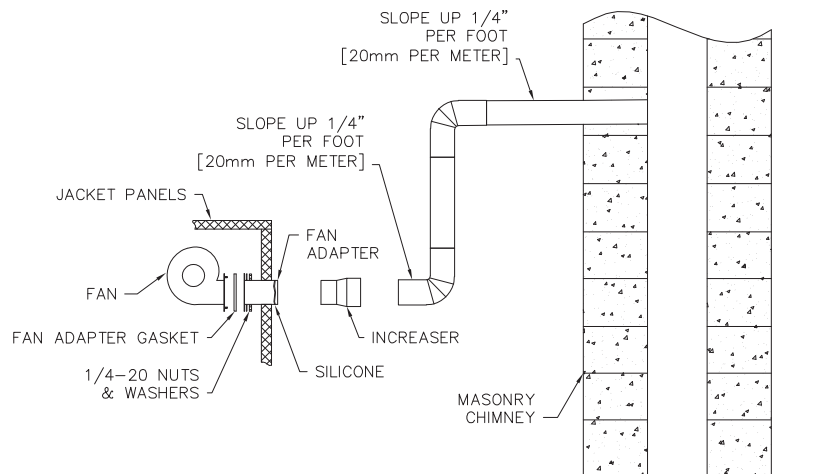


Figure 4.1: Chimney Venting

INSTALLATION AND OPERATING INSTRUCTIONS

2. Refer to Table 4.2 for minimum and maximum vent length allowed.
3. Maintain a minimum 2" (51 mm) clearance between vent pipe and combustible construction.
4. When installing vent pipe through a combustible wall, pipe must pass through a metal wall thimble; maintain a 2" (51 mm) clearance between vent pipe and thimble. Follow thimble manufacturer's instructions. Seal between thimble and exterior wall using exterior-rated caulk or silicone to prevent water damage and also to prevent recirculation of flue products into the structure.
5. Determine vent terminal location.
 - a. Vent terminal shall be located at least 3 feet (1 meter) above any forced air inlet located within 10 feet (3 meters).
 - b. Vent terminal shall be located at least 4 feet (1.2 meters) below, 4 feet (1.2 meters) horizontally from, or 1 foot (0.3 meters) above any door, window, or gravity air inlet into any building.
 - c. Vent terminal shall be located at least 1 foot (0.3 meters) above ground level or normal snow lines. See subsection 7 below if terminal needs to be extended above ground level or snow line.
 - d. Vent terminal shall not be located over public walkways where condensate could create a nuisance or hazard.
 - e. When adjacent to a public walkway, vent terminal shall be at least 7 feet (2.1 meters) above grade.
 - f. Vent terminal shall be located at least 4 feet (1.2 meters) horizontally from electric meters, gas meters, regulators and relief equipment. In Canada, this dimension must be 6 feet (2 meters).
 - g. Vent terminal should not be located directly under roof overhangs to prevent icicles from forming.
6. Vent Pipe Assembly:
 - a. Horizontal portions of the vent pipe shall slope **down** not less than 1/4" per foot (21 mm per meter) from the boiler to the vent termination elbow. If this horizontal run is pitched toward boiler, provide a horizontal drain tee as per instructions in section **D. Direct Exhaust; Vertical Venting**.
 - b. Secure vent pipe using metal strapping, clamps and/or other means. Do not screw into the vent pipe.
 - Horizontal portions of the vent pipe must be supported at intervals no greater than four feet to prevent sagging/separation.
 - Secure vent pipe to the thimble/wall to prevent possible movement from incidental contact on the vent terminal.
- c. Type vent material approved is AL29-4C, 3 inch (76 mm) diameter stainless steel; manufactured by Heat-Fab® (Saf-T-Vent); Z-Flex® (Z-Vent); ProTech (FasNSeal™); Flex-L (StaR-34); Metal-Fab (Corr/Guard).
- d. Attach the fan adapter to blower outlet flange using gasket and 1/4" (6 mm) -20 nuts and washers, (parts located in miscellaneous parts box).
- e. Refer to Figure 4.3 that lists special vent adapters for connection to boiler fan adapter. These special adapters are not supplied with boiler.
- f. Attach vent pipe adapter to boiler fan adapter by applying a 1/4" (6 mm) bead of high temperature silicone around diameter of fan adapter and slip vent pipe adapter over the fan adapter. Fill in any voids with silicone and smooth out with moistened finger or flat tool.
- g. If using Z-Flex® pipe, slide vent pipe over the first 2-1/2" (64 mm) of the fan adapter and secure joint connection with the Z-Flex® locking bands making sure that locking band has contact with fan adapter at boiler end and vent pipe.
- h. Attach remaining pipe and fittings per manufacturer's vent instructions. Use only the silicone recommended by the vent pipe manufacturer.
- i. The only approved vent termination is a 3" (76 mm) 90° elbow. Refer to Figure 4.4. Vent pipe must be sealed to the thimble (or outside wall if non-combustible construction) using silicone to prevent recirculation of flue products into the structure.

Table 4.2.: Equivalent Vent Length

Boiler Size	*Equivalent Length of 3" diameter Stainless Steel Vent Pipe	
	Minimum Vent Length	Maximum Vent Length
70	2-1/2 feet (762 m)	50 feet (15 m)
105	2-1/2 feet (762 m)	50 feet (15 m)
140	2-1/2 feet (762 m)	45 feet (13.7 m)
165	2-1/2 feet (762 m)	45 feet (13.7 m)

*Maximum Vent Length to be reduced by 5 feet (1.5 meters) for each 90° elbow added that is manufactured by Z-Flex®, Heat-Fab® and Protech.

*Maximum Vent Length to be reduced by 7-1/2 feet (2.3 meters) for each 90° elbow added that is manufactured by Flex-L.

The outside vent terminal (90° Elbow) is not included in Equivalent Vent Length.

7. Refer to Figure 4.2 for vertical offset option. The maximum offset is 5 feet. With the exception of the last 90° elbow which serves as the vent terminal, the additional elbows and straight vent pipe must be considered when determining maximum vent length. Provide a horizontal drain tee as described in Section D. **Direct Exhaust; Vertical Venting**.

INSTALLATION AND OPERATING INSTRUCTIONS

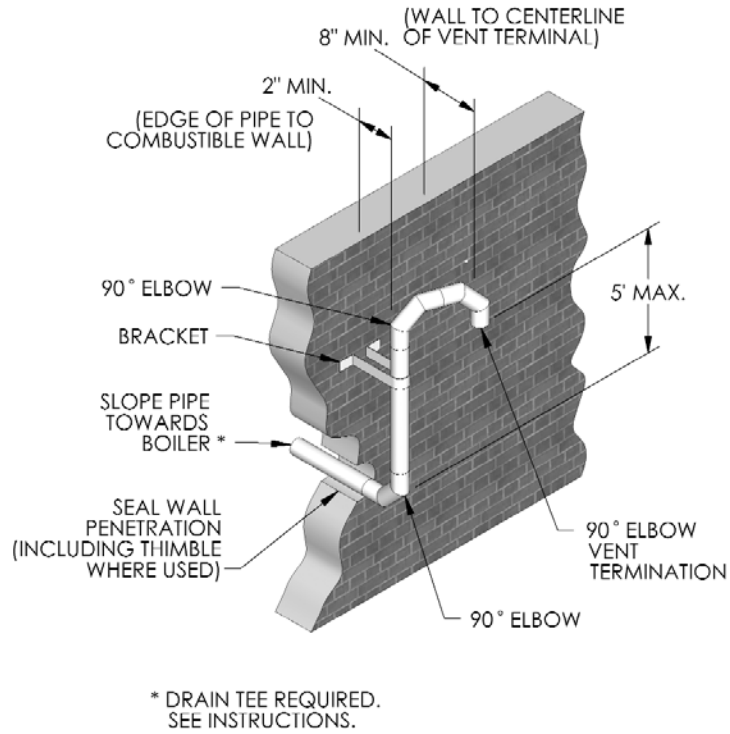


Figure 4.2: Direct Exhaust, Sidewall Venting with Vertical Off-Set

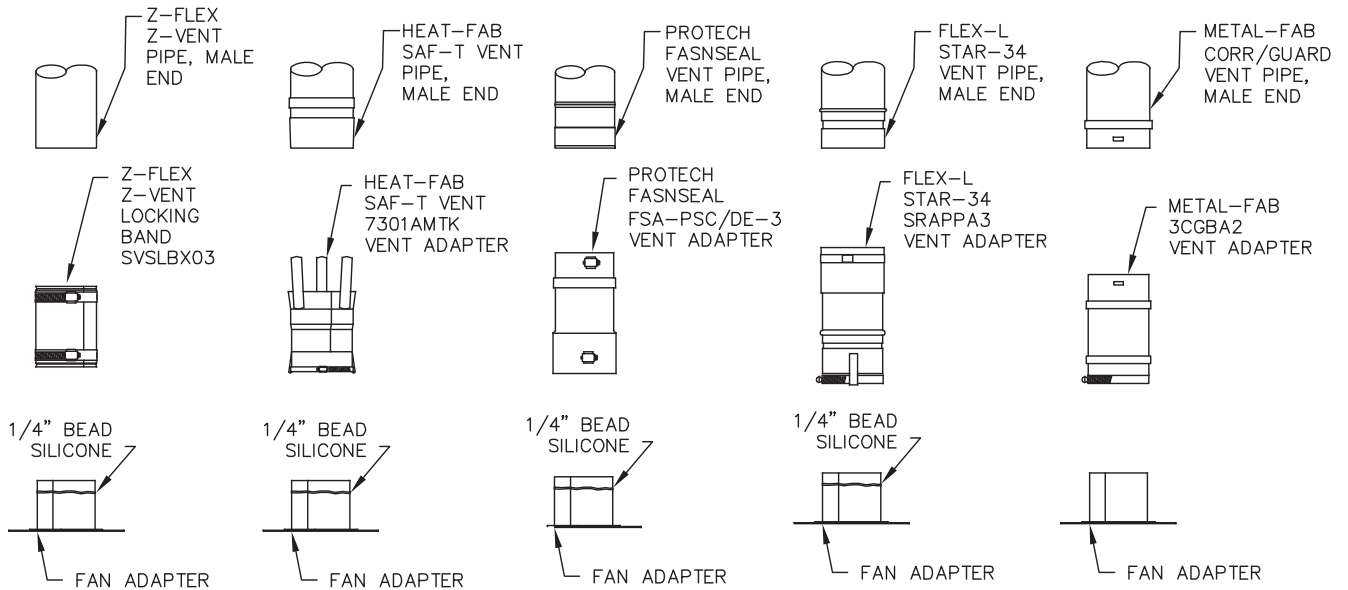


Figure 4.3: Vent Pipe Adapters

INSTALLATION AND OPERATING INSTRUCTIONS

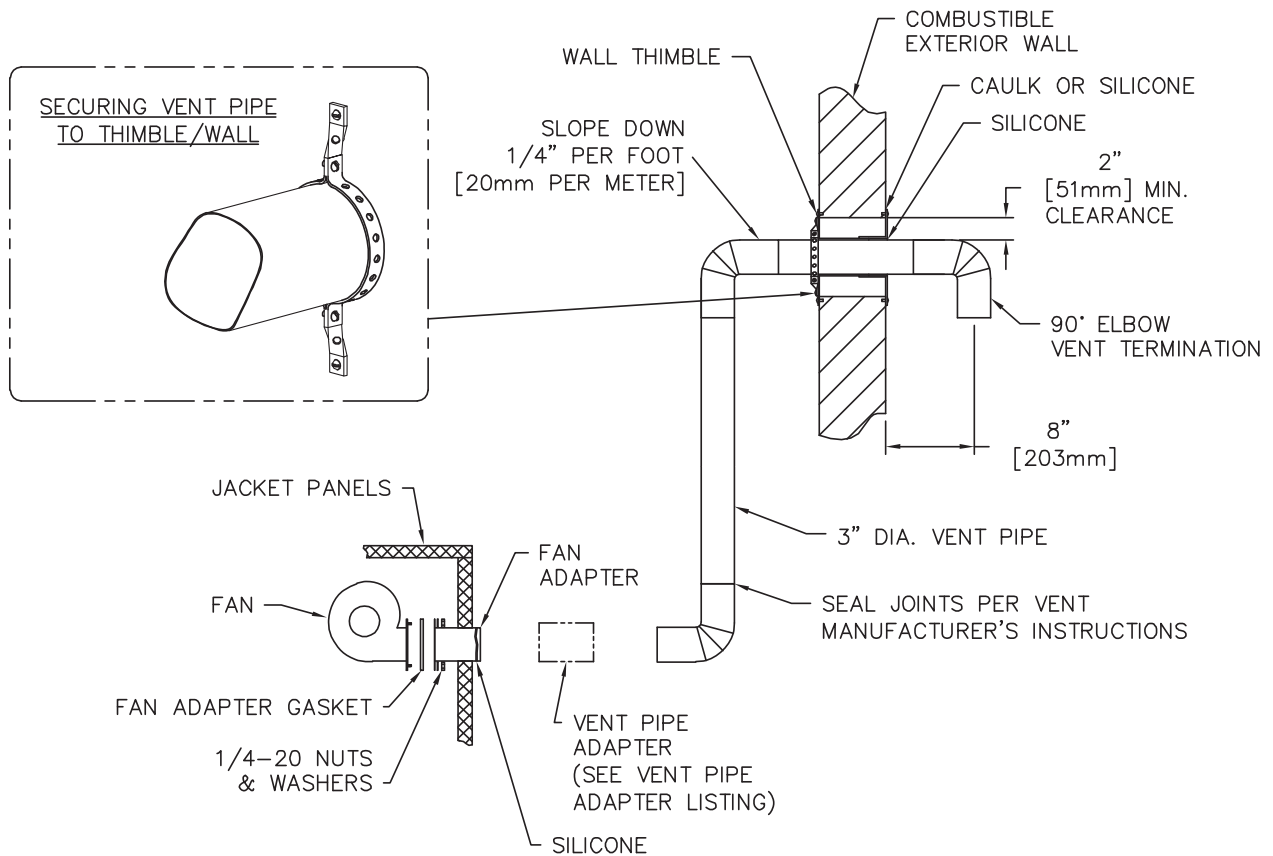


Figure 4.4: Direct Exhaust; Sidewall Venting

D. DIRECT EXHAUST; VERTICAL VENTING

1. This vent system will operate with a positive pressure in the vent pipe. Follow vent pipe manufacturer's instructions for proper assembly of vent pipe and fittings.
2. Refer to Table 4.2 for minimum and maximum vent length allowed.
3. Maintain a minimum 2" (51 mm) clearance between vent pipe and combustible construction.
4. Follow instructions under section C. DIRECT EXHAUST; HORIZONTAL VENTING items 6b through 6h.
5. Horizontal portions of the vent pipe shall slope **up** not less than 1/4" per foot (21 mm per meter) from the boiler to the vertical vent.
6. Provide a horizontal drain tee in the horizontal vent run. Use silicone drain hose with a 3" (76 mm) diameter loop trap with a water seal. Pipe to drain per local codes.
7. Refer to vent pipe manufacturer's instructions under vertical venting section for recommendation for penetration through floors and roofs.
8. Vent must terminate 12" (305 mm) above expected snow lines.
9. See Figure 4.5 for details.

INSTALLATION AND OPERATING INSTRUCTIONS

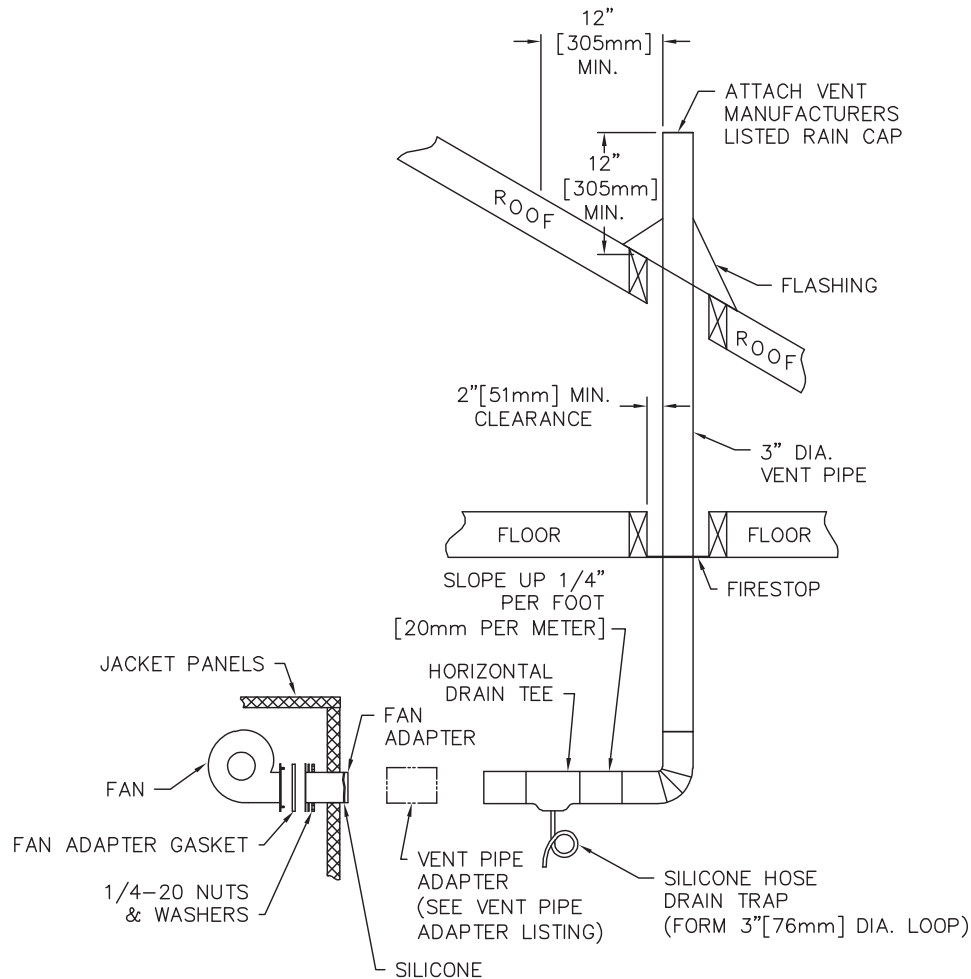


Figure 4.5: Direct Exhaust Vertical Venting

E. BOILER REMOVAL FROM COMMON VENTING SYSTEM

At the time of removal of an existing boiler, follow these steps with each appliance remaining connected to the common venting system placed in operation, while the other appliances remaining connected to the common venting system are not in operation:

- Seal any unused openings in the common venting system.
- Visually inspect the venting system for proper size and horizontal pitch and determine there is no blockage or restriction, leakage, corrosion and other deficiencies which could cause an unsafe condition.
- Insofar as is practical, close all building doors and windows and all doors between the space in which the appliances remaining connected to the common venting system are located and other spaces of the building. Turn on any clothes dryers and any appliance not connected to common venting system. Turn on any exhaust fans, such as range hoods and bathroom exhausts, so they will operate at maximum speed. Do not operate a summer exhaust fan. Close fireplace dampers.
- Place in operation the appliance being inspected. Follow the lighting instructions. Adjust thermostat so appliance will operate continuously.
- Test for spillage at the draft hood relief opening after 5 minutes of main burner operation. Use the flame of a match or candle, or smoke from a cigarette, cigar, or pipe.
- After it has been determined that each appliance remaining connected to the common venting system properly vents when tested as outlined above, return doors, windows, exhaust fans, fireplace dampers and any other gas-burning appliance to their previous conditions of use.
- Any improper operation of the common venting system should be corrected so that the installation conforms with the *National Fuel Gas Code*, ANSI Z223.1/NFPA 54 and/or CAN/CSA B149.1, *Natural Gas and Propane Installation Code*. When resizing any portion of the common venting system, the common venting system should be resized to approach the minimum size as determined using the appropriate tables in the *National Fuel Gas Code*, ANSI Z223.1/NFPA 54 and/or CAN/CSA B149.1, *Natural Gas and Propane Installation Code*.

5. GAS PIPING

1. Size and install the gas supply piping properly in order to provide a supply of gas sufficient to meet the maximum demand without undue loss of pressure between the meter and the boiler.
2. Determine the volume of gas to be provided to the boiler in cubic feet per hour. To obtain this value, divide the Btu per hour rating (on the boiler rating plate) by the heating value of the gas in Btu per cubic feet. Obtain the heating value of the gas from the gas supplier. As an alternative, use Table 5.1 or 5.2 on the next page to obtain the volume of gas to be provided to the boiler.
3. Use the value obtained above as the basis for piping sizing. Size the gas piping in accordance with Table 5.3. Consult the *National Fuel Gas Code ANSI Z223.1/NFPA 54* and or *CAN/CSA B149.1, Natural Gas and Propane Installation Code* for proper sizing options.
4. Locate the drop pipe adjacent to, but not in front of the boiler.
5. Install a sediment trap. See Figure 5.1. Locate a tee in the drop pipe at same elevation as the gas inlet connection to the boiler. Extend the drop pipe to a pipe cap.
6. Install a ground joint union ahead of the gas control assembly to permit servicing of the control. Some local codes require an additional service valve when using the combination gas controls. If your code requires such a valve, a suggested location is shown in Figure 5.1.

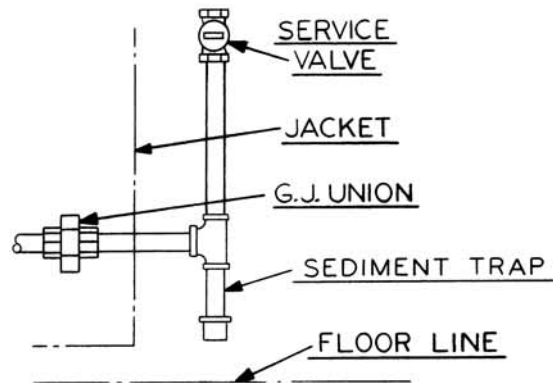


Figure 5.1: Gas Connection to Boiler

8. Disconnect the boiler and its individual shut-off valve from the gas supply piping system during any pressure testing of that system at test pressure in excess of 1/2 psig (3.5 kPa).

⚠ CAUTION

Do not subject the gas valve to more than 1/2 psi (3.5 kPa) pressure. Doing so may damage the valve.

Isolate the boiler from the gas supply piping system by closing its individual service valve during any pressure testing of the gas supply piping system at test pressure equal to or less than 1/2 psig (3.5 kPa).

9. Minimum permissible supply pressure for purposes of input adjustment:

Natural Gas	5.0" W.C. (1.2 kPa)
LP Gas	11.0" W.C. (2.7 kPa)

Maximum permissible supply pressure to the boiler (Inches Water Column):

Natural Gas	13.5" W.C. (3.4 kPa)
LP Gas	13.5" W.C. (3.4 kPa)

⚠ WARNING

Use a pipe joint sealing compound that is resistant to the action of liquefied petroleum gas. A non-resistant compound may lose sealing ability in the presence of this gas, resulting in a gas leak and fire or explosion potential.

7. Check piping for leaks.
Use an approved gas detector, a non-corrosive leak detection fluid or other leak detection method. If leaks are found, turn off all gas flow and repair as necessary.

⚠ WARNING

When checking for leaks, do not use matches, candles, open flames or other methods that provide a source of ignition. This can ignite a gas leak, resulting in fire or explosion.

INSTALLATION AND OPERATING INSTRUCTIONS

Table 5.1: Natural Gas

Boiler Size	Input (Cubic Ft/Hr)	Input (Cubic Meter/Hr)
70	70	2.0
105	105	3.0
140	140	4.0
165	165	4.7

Based on 1000 Btu/Cubic Ft.

Table 5.2: LP Gas

Boiler Size	Input (Cubic Ft/Hr)	Input (Cubic Meter/Hr)
70	28	0.8
105	42	1.2
140	56	1.6
165	66	1.9

Based on 2500 Btu/Cubic Ft.

Table 5.3: Pipe Capacity

Capacity of pipe of different diameters and lengths in cubic feet per hour [cubic meter per hour] with a pressure drop of 0.3 inches of water [75 kPa] and a specific gravity of 0.60. No allowance for an ordinary number of fittings is required.

Pipe Length in Feet [Meters]	3/4" Pipe	1" Pipe	1 1/4" Pipe	1 1/2" Pipe
10 [3.0]	278 [7.9]	520 [14.7]	1050 [29.7]	1600 [45.3]
20 [6.1]	190 [5.4]	350 [9.9]	730 [20.7]	1100 [31.1]
30 [9.1]	152 [4.3]	285 [8.1]	590 [16.7]	890 [25.2]
40 [12.2]	130 [3.7]	245 [6.9]	500 [14.2]	760 [21.5]
50 [15.2]	115 [3.3]	215 [6.1]	440 [12.5]	670 [19.0]
60 [18.3]	105 [3.0]	195 [5.5]	400 [11.3]	610 [17.3]

Maximum Capacity Correction Factors for Specific Gravity other than 0.60.

Specific Gravity	0.50	0.55	0.60	0.65	0.70	0.75
Correction Factor	1.10	1.04	1.00	0.96	0.93	0.90
Specific Gravity	0.80	0.85	0.90	1.00	1.10	1.20
Correction Factor	0.87	0.84	0.82	0.78	0.74	0.71
Specific Gravity	1.30	1.40	1.50	1.60	1.70	1.80
Correction Factor	0.68	0.66	0.63	0.61	0.59	0.58

6. ELECTRICAL

Install all electrical wiring in accordance with the *National Electrical Code* and local requirements.

⚠ NOTICE

This unit when installed must be electrically grounded in accordance with the requirements of the authority having jurisdiction or, in the absence of such requirements, with the current edition of the *National Electrical Code*, ANSI/NFPA 70 and/or the *Canadian Electrical Code, Part 1*, CSA C22.1, Electrical Code.

A. WIRING

1. See Figure 6.1 for location of wiring and controls. Use Figure 6.2 to connect the boiler to a power supply and to connect components to the boiler.
2. Connect the boiler by a separate, permanently live electrical supply line with a fused switch.
3. Adjust the thermostat heat anticipator to 0.2 Amp.

B. ZONED SYSTEM WIRING

See Figure 6.4 for typical wiring with zone valves. See Figure 6.5 for typical wiring with zone circulators. When wiring a zoned heating system, follow all applicable codes, ordinances and regulations.

C. CONTROLS

1. For proper location of controls and accessories refer to Figure 6.1 and Section 11.
2. See the attached control sheets for specific details regarding the installation of the various controls.
3. This boiler is supplied with safety devices in addition to the limit. For a description of these devices and how they work to ensure the safe operation of the boiler, see Section 7B.
4. If the circulator is mounted in the supply piping, provide longer wiring harness as required.

⚠ NOTICE

Do not power zone valves directly from the boiler transformer/relay. Doing so will greatly reduce the life of the transformer. Use a separate transformer sized to handle the total of all zone valve electrical loads.

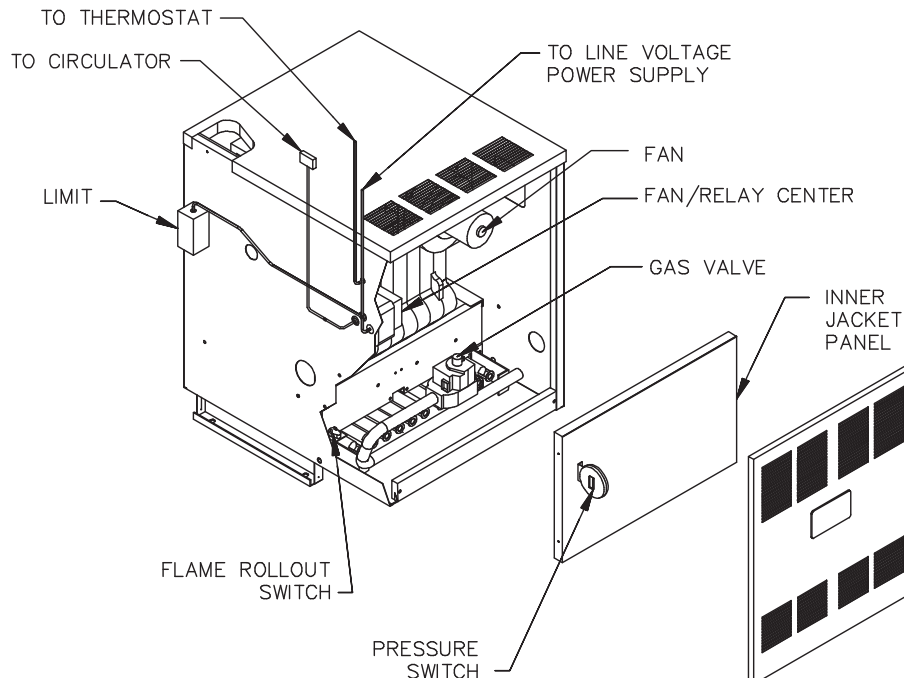


Figure 6.1: Wiring, Controls and Safety Devices

INSTALLATION AND OPERATING INSTRUCTIONS

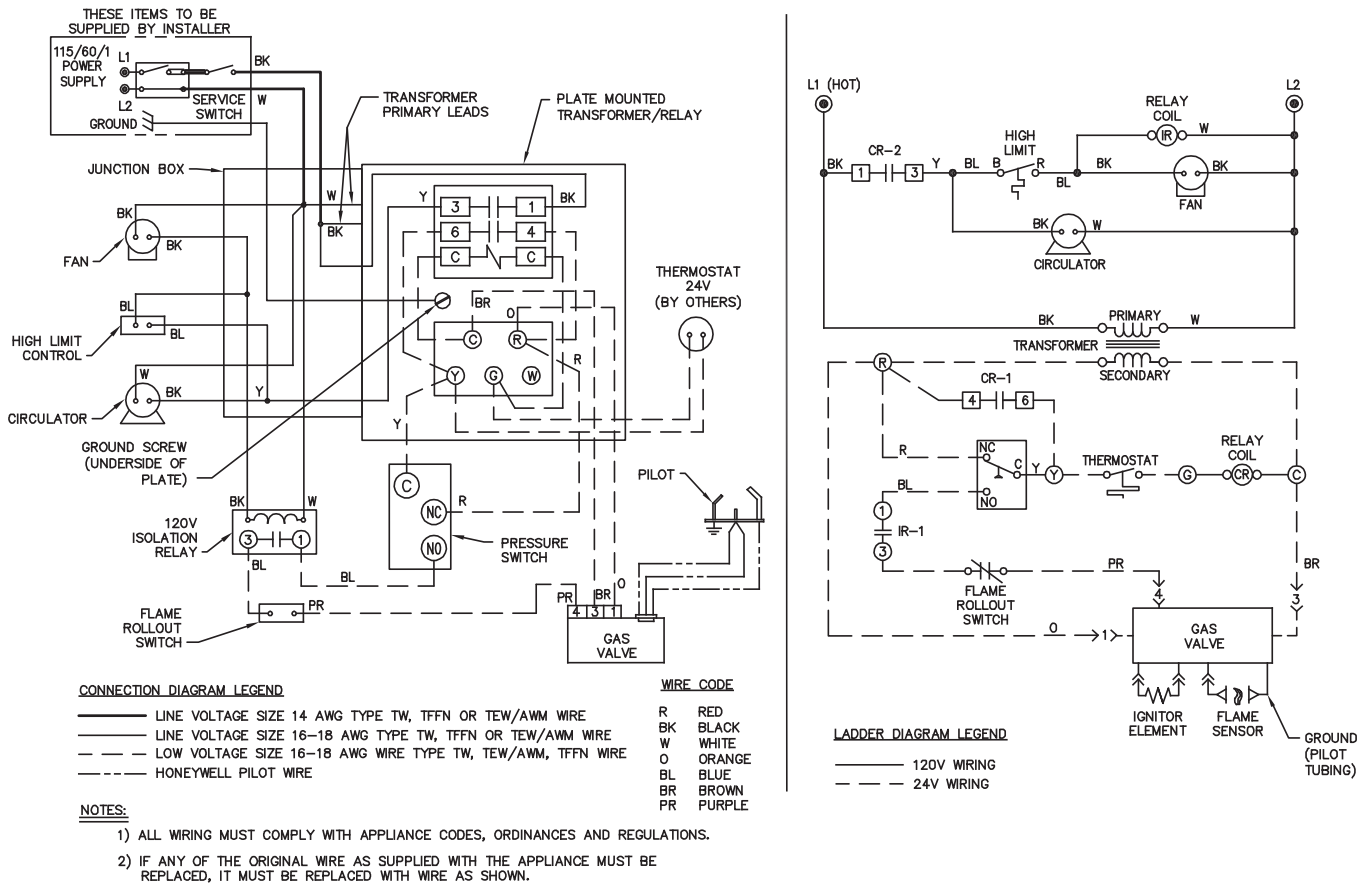


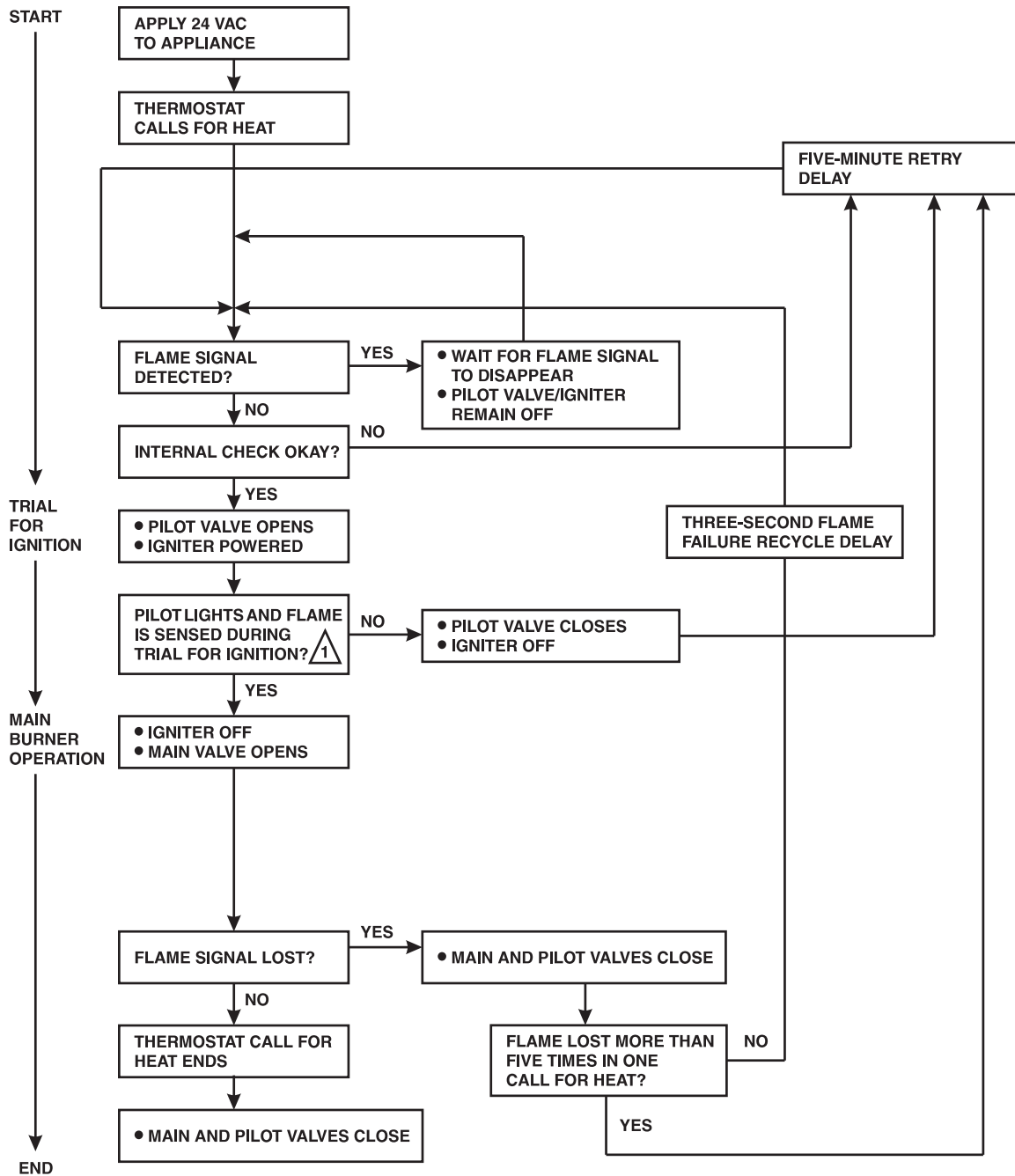
Figure 6.2: Wiring and Connection Diagram

D. SEQUENCE OF OPERATION

1. Thermostat calls for heat, energizes Control Relay (CR).
2. Control Relay (CR) energizes circulator.
3. Limit senses boiler water temperature. Prevents boiler operation until water temperature falls approximately 15°F (8°C) below the cut-out temperature.
4. Limit energizes Fan and Isolation Relay (IR).
5. Negative pressure induced by fan switches Pressure Switch, continuing power through closed contacts (IR-1) and flame roll-out switch.
6. Gas valve energizes.
 - a. Igniter on.
 - b. Pilot gas on, igniting pilot.
7. Pilot flame detected.
 - a. Igniter off.
 - b. Main gas on, igniting main burners.
8. Call for heat ends.
 - a. Pilot and main gas off, extinguishing pilot and main burners.
 - b. Fan and circulator off.

Note: If pilot flame is not detected within 30 seconds, the igniter is turned off for 30 seconds, and then turned back on. If the pilot is not detected within 30 seconds, the igniter and pilot gas are turned off for 5 minutes. The sequence then resumes at Step 6a.

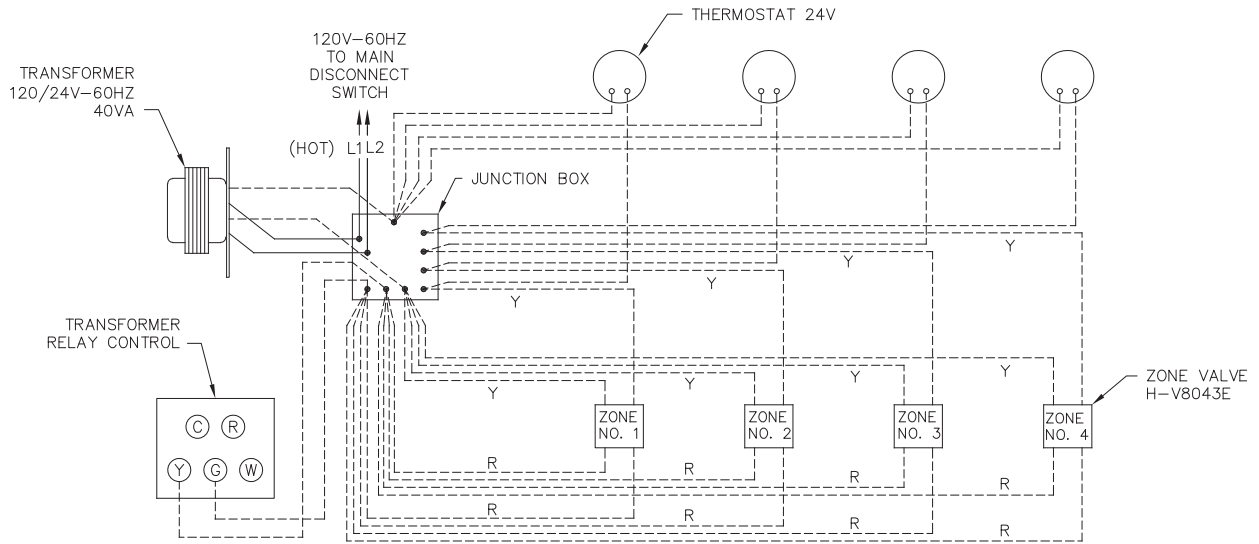
INSTALLATION AND OPERATING INSTRUCTIONS



1 IGNITER WILL TURN OFF ABOUT 30 SECONDS INTO THE TRIAL FOR IGNITION. IF THE PILOT FLAME HAS NOT LIT, IT WILL TURN BACK ON FOR THE FINAL 30 SECONDS OF THE 90 SECOND TRIAL FOR IGNITION. THE PILOT VALVE WILL BE ENERGIZED DURING THE ENTIRE TRIAL FOR IGNITION. THIS IS NORMAL OPERATION FOR THIS GAS IGNITION SYSTEM.

Figure 6.3: Ignition System Operating Sequence

INSTALLATION AND OPERATING INSTRUCTIONS

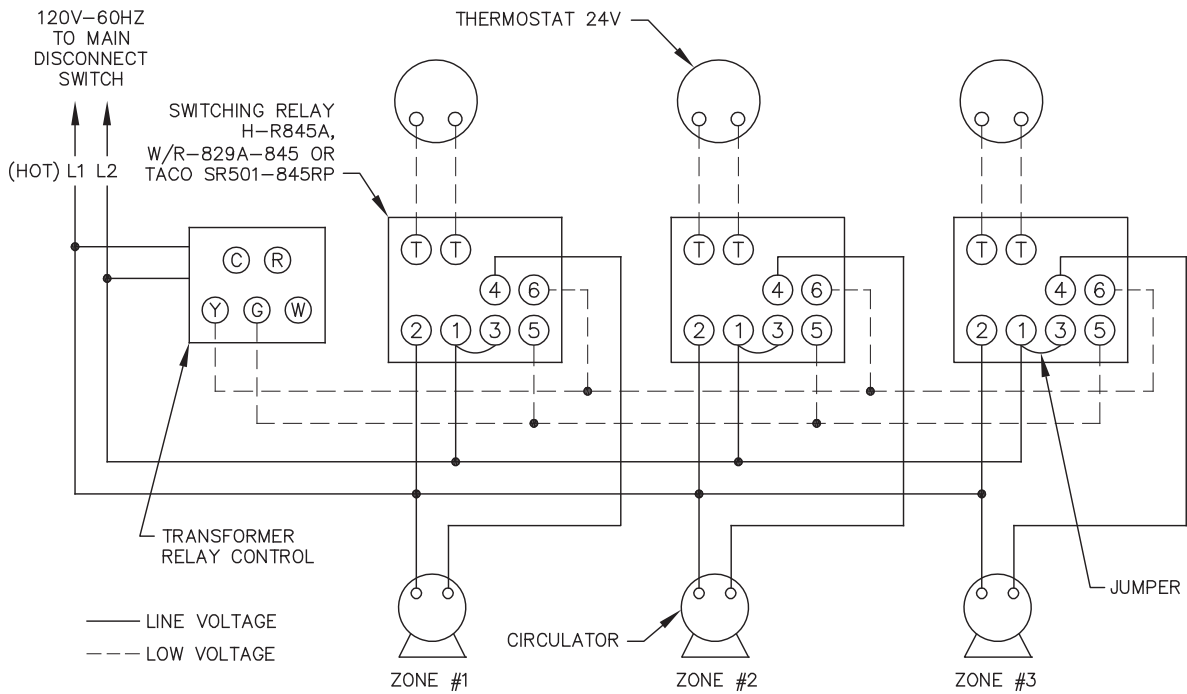


NOTE:

ALL WIRING MUST COMPLY WITH APPLICABLE CODES, ORDINANCES, AND REGULATIONS.

LINE VOLTAGE ———
 LOW VOLTAGE - - - - -

Figure 6.4: Zone Wiring with Zone Valves



NOTE:
 ALL WIRING MUST COMPLY WITH APPLICABLE CODES, ORDINANCES, AND REGULATIONS

Figure 6.5: Zone Wiring with Circulators

7. START-UP PROCEDURES

A. COMPLETING THE INSTALLATION

1. Confirm that all water, gas and electricity are turned off.
2. Inspect the boiler combustion chamber for foreign objects and remove if present.
3. Check physical condition of burners and pilot. Make certain that there are no unusual bends or perforations in the burners or pilot. Replace components if necessary.
4. Verify that water piping, venting, gas piping and electrical wiring and components are installed properly. Refer back to previous sections of these instructions as well as equipment manufacturer's instructions as necessary.
5. Fill the boiler and system with water, making certain to vent all air from all points in the system. To check water level in the system, open and close each vent in the system. Water should exit from each vent when it is opened.
6. The pressure reducing valve on the fill line will typically allow the system to be filled and pressurized to 12 psi. (83 kPa). Consult the valve and expansion tank manufacturer for more specific information.
7. Check joints and fittings throughout the system for leaks. If leaks are found, drain the system and repair as required.
8. Connect a manometer to the gas valve inlet pressure tap. See Figure 7.2.
9. Confirm that the gas supply pressure to the boiler is above the minimum and below the maximum values for the gas being used. See the end of Section 5 for these values. If a supply pressure check is required, isolate the boiler and gas valve before performing the pressure check. If the supply pressure is too high or too low, contact the gas supplier.
10. Turn on electricity and gas to boiler.
11. Light the boiler by following the Lighting/Operating Instructions label mounted to the jacket panel. The initial ignition may require several tries as the piping is purged of air.
12. Use the sequence descriptions in Figures 6.2 and 6.3 in Section 6 (Electrical) to follow light-off and shutdown sequences and to assist in diagnosing problems. If the boiler does not function properly, consult Section 8, Troubleshooting.
13. The gas manifold and control assembly are made of gas-tight, completely factory assembled and installed components of the base assembly. See Figure 7.1 and 7.2.

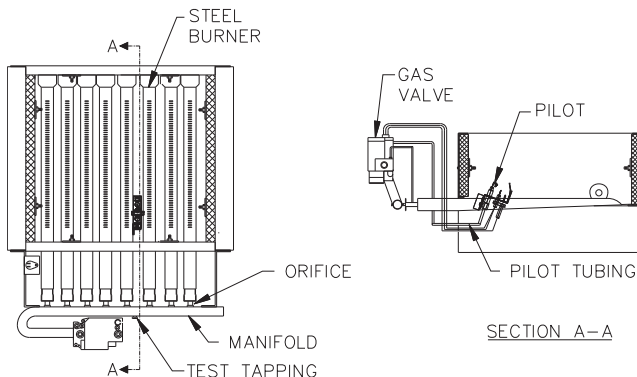
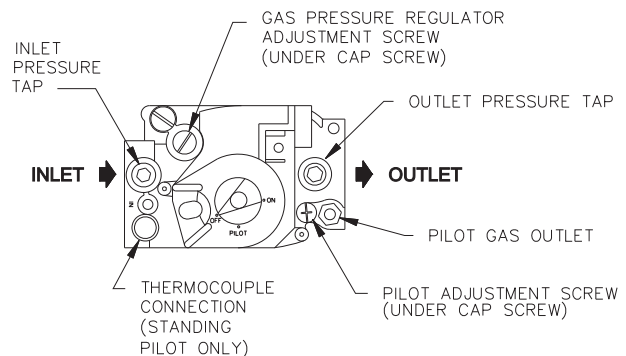


Figure 7.1: Gas Valve, Manifold and Burner Assembly - Intermittent Ignition



NOTE: LOCATIONS ARE SIMILAR FOR STANDING PILOT AND INTERMITTENT IGNITION VALVES.

Figure 7.2: Valve Tapping and Adjustment Screw Locations

INSTALLATION AND OPERATING INSTRUCTIONS

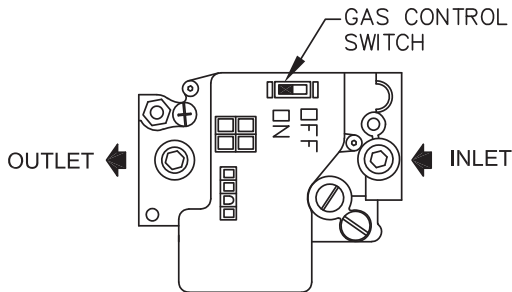
FOR YOUR SAFETY READ BEFORE LIGHTING

WARNING: If you do not follow these instructions exactly, a fire or explosion may result causing property damage, personal injury, or loss of life.

- A. This appliance is equipped with an ignition device which automatically lights the pilot. Do not try to light the pilot by hand.
- B. **BEFORE OPERATING** smell all around the appliance area for gas. Be sure to smell next to the floor because some gas is heavier than air and will settle on the floor.
- WHAT TO DO IF YOU SMELL GAS**
- Do not try to light any appliance
 - Do not touch any electric switch; do not use any phone in your building.
 - Immediately call your gas supplier from a neighbor's phone. Follow the gas supplier's instructions.
 - If you cannot reach your gas supplier, call the fire department.
- C. Use only your hand to slide the gas control switch. Never use tools. If the switch will not slide by hand, don't try to repair it, call a qualified service technician. Force or attempted repair may result in a fire or explosion.
- D. Do not use this appliance if any part has been under water. Immediately call a qualified service technician to inspect the appliance and to replace any part of the control system and any gas control which has been under water.

OPERATING INSTRUCTIONS

1. **STOP!** Read the safety information above on this label.
2. Set the thermostat or operating control to lowest setting.
3. Turn off all electric power to the appliance.
4. This appliance is equipped with an ignition device which automatically lights the pilot. Do not try to light the pilot by hand.
5. If the gas valve is not visible, remove control access panel.
6. If the gas control switch is not in the "OFF" position, slide the switch to "OFF".
7. Wait five (5) minutes to clear out any gas. Then smell for gas, including near the floor. If you smell gas, **STOP!** Follow "B" in the safety information above on this label. If you don't smell gas, go to the next step.
8. Slide the gas control switch to "ON".
9. Replace control access panel, if applicable.
10. Turn on all electrical power to the appliance.
11. Set thermostat or operating control to desired setting.
12. If the appliance will not operate, follow the instructions "To Turn Off Gas To Appliance" and call your service technician or gas supplier.



TO TURN OFF GAS TO APPLIANCE

1. Set the thermostat or operating control to lowest setting.
2. Turn off all electric power to the appliance if service is to be performed.
3. If the gas valve is not visible, remove the control access panel.
4. Slide the gas control switch to "OFF".
5. Replace control access panel, if applicable.

SV9501/SV9601 9318 REV 2 (MM/YY)

Figure 7.3: Operating Instructions

INSTALLATION AND OPERATING INSTRUCTIONS

B. CONTROL DESCRIPTIONS

See Figure 6.1 in Section 6 (Electrical) for locations of these devices.

1. FLAME ROLL-OUT SAFETY SHUT-OFF SWITCH (FLAME ROLL-OUT SWITCH) – A thermally activated switch located between the first burner from the left and the manifold bracket. The flame roll-out safety shut-off switch will sense excessive temperature caused by continued flame roll-out and shut down main burner gas. This is a non-recycling switch that must be replaced once it has been activated and the cause of the roll-out eliminated.
2. PRESSURE SWITCH – A pressure sensing device that is located in the jacket vestibule. This control senses a suction pressure when fan is energized on a call for heat. Switch contacts close allowing control circuit to energize ignition system.
3. LIMIT (AQUASTAT) – A thermally activated, manually adjustable switch located on the left side of the boiler, towards the top and rear. The temperature sensing element is placed in the supply and will shut down main burner gas if the supply water exceeds the preset temperature limit. This is a recycling switch that will automatically reset when the supply water falls below the preset temperature.
4. LOW WATER CUT-OFF (FOR GRAVITY SYSTEMS OR HOT WATER BOILERS INSTALLED ABOVE RADIATION LEVEL) – A level-sensing device (float or probe) located in supply piping near the boiler. If water level in the system drops below the control's position, it will shut down main burner gas. The control will automatically reset once the water level rises above its position.

C. ADJUSTMENT OF GAS PRESSURE REGULATOR

1. Connect a manometer to 1/8 N.P.T. tapping on gas manifold, set manifold pressure as follows for various gases.
 - a. Natural Gas3.5" W.C. (0.9 kPa)
 - b. LP Gas10.0" W.C. (2.5 kPa)
2. To adjust gas pressure, turn adjusting screw of gas pressure regulator counterclockwise to decrease pressure, clockwise to increase pressure. Refer to Figure 7.2 for location of gas pressure regulator. Replace the cap screw when adjustment is complete.
3. In no case should the final manifold pressure vary more than ± 0.3 inches water column (0.07 kPa) from the above specified pressures. Any necessary major changes in the flow should be made by changing the size of the burner orifice spuds.
4. When adjustment is complete, turn off boiler, gas flow and electricity to boiler. Remove manometer connection from valve and plug tapping with plug provided. Turn utilities back on and resume checkout.

D. CHECKING BURNER INPUT

1. Refer to rating label mounted on the jacket top panel to obtain the rated BTU per hour input. In no case shall the input to the boiler exceed the value shown on the rating label.

2. Check input by use of the following formula (PB Heat suggests reading meter for 2 Cu.Ft. [0.0566 cubic meter]):

U.S. Customary Units:
$$\text{Input (BTU/Hr.)} = \frac{3600 \times F \times H}{T}$$

Where:

3600 – Seconds per hour

F – Cubic Feet of Gas Registered on Meter

H – Heat Value of Gas in BTU/Cubic Feet

T – Time in Seconds the Meter is Read

SI Metric Units

$$\text{Input (kW)} = \frac{3600 \times F \times H}{T \times 3.6}$$

Where:

3600 – Seconds per hour

3.6 – Megajoule (MJ) per kilowatt hour (kwhr)

F – Cubic Meters of Gas Registered on Meter

H – Heating Value of Gas in MJ/Cubic Meter

T – Time in Seconds the Meter is Read

3. As an alternative, use Table 7.1a and 7.1b. Use the heating value provided by gas supplier. Use a stopwatch to record the time it takes for 2 cubic feet (0.0566 cubic meter) of gas to pass through the meter. Read across and down to determine rate.

E. CHECK-OUT PROCEDURE

1. After starting the boiler, be certain all controls are working properly. Check to be sure that the limit will shut off the boiler in the event of excessive water temperature. This can be done by lowering the limit setting until the main burners shut down. When proper limit function is confirmed, return the dial to its previous setting.
2. To check operation of the ignition system safety shut-off features:
 - a. Turn gas supply off.
 - b. Set thermostat or controller above room temperature to call for heat. Watch for igniter glow at pilot burner.
 - c. Igniter will continue to glow for 30 seconds, de-energize for 30 seconds, then re-energize and glow for another 30 seconds. It will then de-energize for 5 minutes before restarting the sequence.
 - d. Turn gas supply on.
 - e. Reset the boiler and control by following Operating Instructions.
 - f. Observe boiler operation through one complete cycle.

INSTALLATION AND OPERATING INSTRUCTIONS

3. Low Water Cut-Off (if used) – Consult the manufacturer’s instructions for the low water cut-off operational check procedure.
4. Check the system to make sure there are no leaks or overfilling problems which might cause excessive make-up water to be added. Make-up water causes liming in the boiler and brings in oxygen. Oxygen can cause severe damage to the boiler through oxygen corrosion pitting.
5. Check the expansion tank and automatic fill valve (if used) to confirm that they are operating correctly. If either of these components causes high pressure in the system, the boiler relief valve will weep or open, allowing fresh water to enter the system.
6. Do not allow the system controls to subject the boiler to excessively low water temperatures, which would cause condensation of flue gases and corrosion of the boiler. Operate the boiler at a temperature above 130°F (55°C). Adjust the boiler limit as required to maintain boiler temperature above this level.
7. Check the general condition of the system including piping support, joints, etc. Check cleanliness of the radiators, baseboard units and/or convectors. Clean them to the extent possible. If radiators do not heat evenly, vent any remaining air from them.
8. Review operation and User’s Information Manual with end-user.
9. Hang the Installation, Operation and Maintenance Manual and User’s Information Manual in an accessible position near the boiler.

Table 7.1a: Meter Conversion Natural Gas (U.S. Customary Units)

Burner inputs in Btu/hr for various meter timings and heating values. (Tables based on 2 cubic feet of gas through the meter).

Time that meter is read (sec)	Heat Value of Gas (Btu/cubic foot)		
	1000	1025	1050
25	288000	295200	302400
30	240000	246000	252000
35	205714	210857	216000
40	180000	184500	189000
45	160000	164000	168000
50	144000	147600	151200
55	130909	134182	137455
60	120000	123000	126000
65	110769	113538	116308
70	102857	105429	108000
75	96000	98400	100800
80	90000	92250	94500
85	84706	86824	88941
90	80000	82000	84000
95	75789	77684	79579
100	72000	73800	75600
105	68571	70286	72000
110	65455	67091	68727
115	62609	64174	65739
120	60000	61500	63000
125	57600	59040	60480

Table 7.1b: Meter Conversion Natural Gas (SI Metric System)

Burner inputs in kW for various meter timings and heating values. (Tables based on 0.0566 cubic meters of gas through the meter).

Time that meter is read (sec)	Heat Value of Gas (MJ/cubic meter)		
	37.26	38.19	39.12
25	84.36	86.46	88.57
30	70.30	72.05	73.81
35	60.25	61.76	63.26
40	52.72	54.04	55.35
45	46.86	48.03	49.20
50	42.18	43.23	44.28
55	38.34	39.30	40.26
60	35.15	36.03	36.90
65	32.44	33.25	34.06
70	30.13	30.88	31.63
75	28.12	28.82	29.52
80	26.36	27.02	27.68
85	24.81	25.43	26.05
90	23.43	24.02	24.60
95	22.20	22.75	23.31
100	21.09	21.62	22.14
105	20.08	20.59	21.09
110	19.17	19.65	20.13
115	18.34	18.80	19.25
120	17.57	18.01	18.45
125	16.87	17.29	17.71

8. TROUBLESHOOTING

A. SHUT-DOWN CAUSED BY PILOT OUTAGE, PRESSURE SWITCH OR FLAME ROLL-OUT SAFETY SHUT-OFF SWITCH

In the event of a shut-down caused by a pilot outage, action of the pressure switch or flame roll-out safety shut-off switch effecting a shut-down of the main burners:

- Refer to the Operating Instructions in Figure 7.3 to properly turn off the gas to the boiler.
- Turn off all electric power to the boiler.
- Call a qualified heating service organization or local gas company and have the cause of the shut-down investigated and corrected.
- Refer to Operating Instructions to re-start boiler.

B. TROUBLESHOOTING GUIDES

Use Table 8.2 to assist in determining causes and providing corrective actions to boiler problems. Refer also to Figure 8.2 to troubleshoot the Intermittent Ignition System Control. These guides must be used only by qualified service technicians. These individuals must follow all applicable codes and regulations in repair of any boiler problems.

C. MEASURING SUCTION PRESSURE

Refer to Table 8.1 for fan suction pressure required to energize control circuit. Measure fan suction pressure as shown in Figure 8.1. Note that as boiler operates, suction pressure will decrease. Measure after 15 minutes of boiler operation.

Table 8.1: Fan Suction Pressure

Boiler Size	Suction Pressure	
	(In. w.c)	(kPa)
70	1.78	0.44
105	1.56	0.39
140	1.56	0.39
165	1.35	0.34

DANGER

When servicing or replacing items that communicate with the boiler water, be certain that:

- There is no pressure on the boiler.
- The boiler is not hot.
- The power is off.

When servicing the gas valve or pilot, be certain that:

- The gas is off.
- The electricity is off.

WARNING

Do not use this appliance if any part has been under water. Improper or dangerous operation may result. Immediately call a qualified service technician to inspect the boiler and to replace any part of the control system and any gas control which has been under water.

CAUTION

Label all wires prior to disconnection when servicing controls. Wiring errors can cause improper and dangerous operation. Verify proper operation after servicing.

CAUTION

Should overheating occur or the gas supply fail to shut off, do not turn off or disconnect the electrical supply to the pump. This may aggravate the problem and increase the likelihood of boiler damage. Instead, shut off the gas supply at a location external to the appliance.

INSTALLATION AND OPERATING INSTRUCTIONS

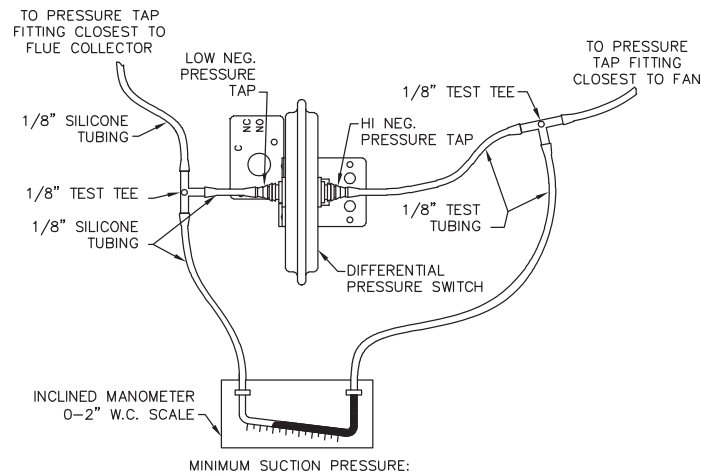


Figure 8.1: Procedure For Measuring Fan Suction Pressure

Table 8.2: Boiler Troubleshooting Guide (Burners Functioning)

Problem	Possible Causes	Corrective Actions
Burners not functioning.	See Figure 8.2	See Figure 8.2
Burners will not shut down.	<ol style="list-style-type: none"> 1. Defective gas valve. 2. Short circuit. 	<ol style="list-style-type: none"> 1. Use Figure 8.2 to troubleshoot intermittent ignition gas valve. Replace if necessary. 2. Check and correct wiring.
Flashback or burning at orifice spuds.	<ol style="list-style-type: none"> 1. Manifold gas pressure too low. 2. Improperly sized/drilled orifice spuds. 3. Leaking gas valve. 4. Burrs on orifice. 5. Low supply gas pressure. 	<ol style="list-style-type: none"> 1. Adjust to proper pressure. 2. Install correct spuds. 3. Replace valve. 4. Remove burrs. 5. Contact gas supplier if natural gas. Adjust regulator if LP gas.
Delayed ignition.	<ol style="list-style-type: none"> 1. Insufficient pilot flame. 2. Pilot burner/orifice clogged. 3. Overfiring. 4. Misaligned burners or pilot. 	<ol style="list-style-type: none"> 1. Increase pilot gas flow. 2. Clean pilot burner and orifice. 3. Reduce rate to input on rating label. 4. Realign burners or pilot.
Condensation at boiler vent connector/fan.	<ol style="list-style-type: none"> 1. Vent pipe not sloped towards vent terminal. 	<ol style="list-style-type: none"> 1. Install condensate trap per vent manufacturer's instructions. 2. Slope vent pipe towards vent terminal.
Boiler not heating properly.	<ol style="list-style-type: none"> 1. Underfiring. 2. Limit set too low. 3. Air in system. 4. Circulator malfunctioning. 5. Circulation system clogged. 6. Incorrect thermostat heat anticipator setting. 	<ol style="list-style-type: none"> 1. Increase rate to input on rating label. 2. Reset limit to higher setting. 3. Vent air from all points in system. 4. Check circulator, replace if necessary. 5. Shut down and cool boiler, drain and flush system. 6. Adjust heat anticipator to 0.2 Amp.
Fumes or gas odors	<ol style="list-style-type: none"> 1. Leaks in gas piping or fittings. 2. Leaks in gas service line or meter. 3. Obstructed chimney. 4. Obstructed flueways or vent. 5. Draft problem in boiler room. 6. Overfiring. 	<ol style="list-style-type: none"> 1. Locate and repair or replace. 2. Shut down boiler and notify gas provider. 3. Check, repair and/or clean chimney. 4. Clean flueways or vent and remove obstructions. 5. Check air supply, ventilation and venting system. 7. Reduce rate to input on rating label.

INSTALLATION AND OPERATING INSTRUCTIONS

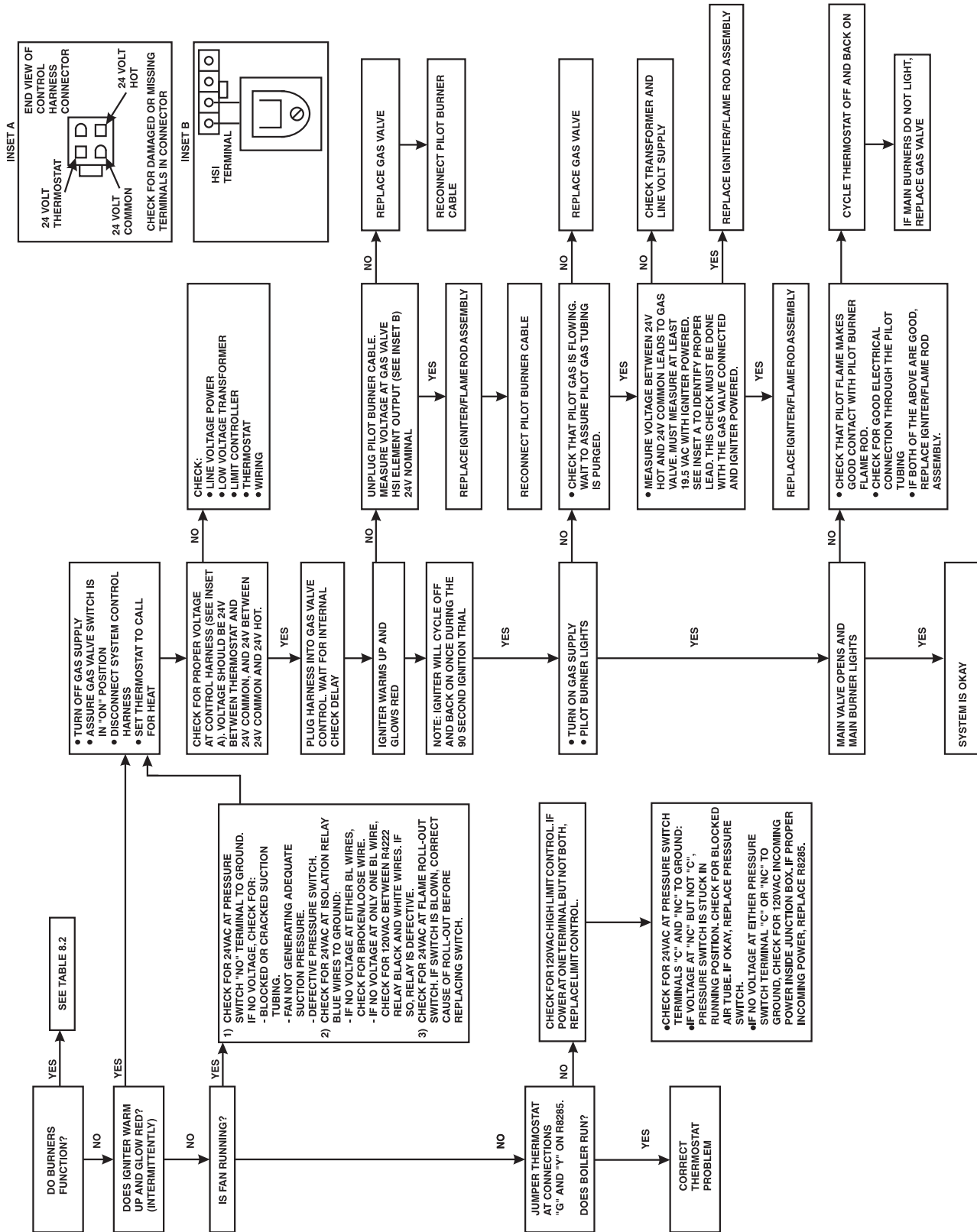


Figure 8.2: Boiler Troubleshooting Guide (Burners Not Functioning)

9. MAINTENANCE

WARNING

Product Safety Information Refractory Ceramic Fiber Product

This appliance contains materials made from refractory ceramic fibers (RCF). Airborne RCF, when inhaled, have been classified by the International Agency for Research on Cancer (IARC), as a possible carcinogen to humans. After the RCF materials have been exposed to temperatures above 1800°F (980°C), they can change into crystalline silica, which has been classified by the IARC as carcinogenic to humans. If particles become airborne during service or repair, inhalation of these particles may be hazardous to your health.

Avoid Breathing Fiber Particulates and Dust

Suppliers of RCF recommend the following precautions be taken when handling these materials:

Precautionary Measures:

Provide adequate ventilation.

Wear a NIOSH/MSHA approved respirator.

Wear long sleeved, loose fitting clothing and gloves to prevent skin contact.

Wear eye goggles.

Minimize airborne dust prior to handling and removal by water misting the material and avoiding unnecessary disturbance of materials.

Wash work clothes separately from others. Rinse washer thoroughly after use.

Discard RCF materials by sealing in an airtight plastic bag.

First Aid Procedures:

Inhalation: If breathing difficulty or irritation occurs, move to a location with fresh clean air. Seek immediate medical attention if symptoms persist.

Skin Contact: Wash affected area gently with a mild soap and warm water. Seek immediate medical attention if irritation persists.

Eye Contact: Flush eyes with water for 15 minutes while holding eyelids apart. Do not rub eyes. Seek immediate medical attention if irritation persists.

Ingestion: Drink 1 to 2 glasses of water. Do not induce vomiting. Seek immediate medical attention.

A. GENERAL

1. Disconnect this boiler from the gas supply piping during any pressure testing of the gas system.
2. Check pipes adjacent to cold walls or in unheated spaces. Insulate and tape them if necessary to be sure they can't freeze up. Keeping the water moving at all times will reduce the likelihood of freezing. See Section 3 for antifreeze instructions.
3. If there is considerable foreign matter in the boiler water, the boiler should be shut down and allowed to cool, then drained and thoroughly flushed out. Use the drain valve at the bottom of the return connection to drain the boiler. Pipe the drain cock to a suitable drain or containment device if antifreeze is used. Flush the system to remove remaining matter. If there is evidence that hard scale has formed on the internal surfaces, the boiler should be cleaned by chemical means as prescribed by a qualified water treatment specialist.
4. There must not be signs of continuous wetness at the chimney. If signs of continuous wetness are observed, a qualified service agency must be consulted to modify the vent configuration to prevent the formation of condensate.

B. DAILY (WITH BOILER IN USE)

Daily boiler observation can be performed by the owner. If any potential problems are found, a qualified installer or service technician/agency must be notified.

1. Remove any combustible materials, gasoline and other flammable liquids and substances that generate flammable vapors from the area where the boiler is contained. Make certain that the boiler area has ample air for combustion and ventilation and that there are no obstructions to the free flow of air to and from the boiler.
2. Observe general boiler conditions (unusual noises, vibrations, etc.)
3. Observe operating temperature and pressure on the combination gauge located on the left side of the boiler. Boiler pressure should never be higher than 5 psi (35 kPa) below the rating shown on the safety relief valve (25 psig [172 kPa] maximum for a 30 psig [207 kPa] rating, 45 psig [310 kPa] maximum for a 50 psig [345 kPa] rating). The valve rating can be found on the top of the safety relief valve (see Figure 3.1 for location of the safety relief valve). Boiler temperature should never be higher than 250° F (121°C).

INSTALLATION AND OPERATING INSTRUCTIONS

4. Check for water leaks in boiler and system piping.
5. Smell around the appliance area for gas. If you smell gas, follow the procedure listed in the Operating Instructions in Section 7.

C. WEEKLY (WITH BOILER IN USE)

1. Flush float-type low-water cut-off (if used) to remove sediment from the float bowl as stated in the manufacturer's instructions.

D. MONTHLY (WITH BOILER IN USE)

1. Check boiler room floor drains for proper functioning.
2. Check function of the safety relief valve (monthly unless specified otherwise by manufacturer) by performing the following test:
 - a. Check valve piping to determine that it is properly installed and supported.
 - b. Check boiler operating temperature and pressure.
 - c. Lift the try lever on the safety relief valve to the full open position and hold it for at least five seconds or until clean water is discharged.
 - d. Release the try lever and allow the valve to close. If the valve leaks, operate the lever two or three times to clear the valve seat of foreign matter. It may take some time to determine if the valve has shut completely.
 - e. If the valve continues to leak, it must be replaced before the boiler is returned to operation.
 - f. Check that operating pressure and temperature have returned to normal.
 - g. Check again to confirm that valve has closed completely and is not leaking.
3. Test low-water cut-off (if used) as described by the manufacturer.
4. Test limit as described in Section 7E, "Check-Out Procedure."
5. Test function of gas safety shut-off features as described by gas valve and ignition control manufacturer.

E. ANNUALLY (BEFORE START OF HEATING SEASON)

DANGER

When servicing or replacing components, be absolutely certain that the following conditions are met:

- Water, gas and electricity are off.
- The boiler is at room temperature.
- There is no pressure in the boiler.

1. Check flueways and burners for cleanliness and clean if necessary. Use the following procedure if cleaning is required:
 - a. Refer to the Operating Instructions in Figure 7.3 to properly turn off the gas to the boiler.
 - b. Turn off all electrical power to the boiler.
 - c. Remove burners and brush gas outlet ports lightly using a soft bristle brush.
 - d. Remove the vent pipe from fan adapter, top jacket panel, flue collector/fan assembly and flue baffles.
 - e. Brush flueways with wire brush.
 - f. To the extent possible, inspect inside of vent pipe for obstructions. Remove or replace as necessary.
 - g. Re-install baffles. When replacing the flue collector/fan assembly, be certain that the blanket seal between the flue collector and top section makes a tight seal to prevent leakage of the products of combustion.
 - h. Re-install the top jacket panel and vent pipe.
 - i. Re-install burners.
2. Inspect entire venting system for corrosion, support and joint integrity. Repair as necessary. Inspect vent termination for any obstruction that may hinder proper venting.
3. Check the pilot and main burner flame. See Figure 8.3. The pilot should provide a steady flame enveloping $3/8"$ to $1/2"$ (1 cm to 1.2 cm) of the flame sensor. If required, adjust the pilot as stated in the gas valve manufacturer's instructions. The main burner flame inner cone should be approximately $1-1/2"$ (4 cm) high and should have a very sharp, blue color characteristic.

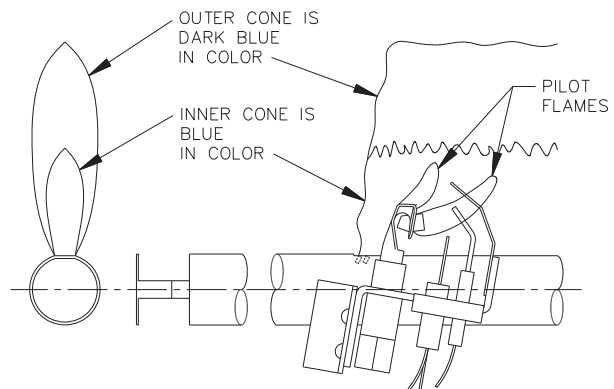


Figure 8.3: Intermittent Pilot and Main Burner Flame

10. BOILER DIMENSIONS & RATINGS

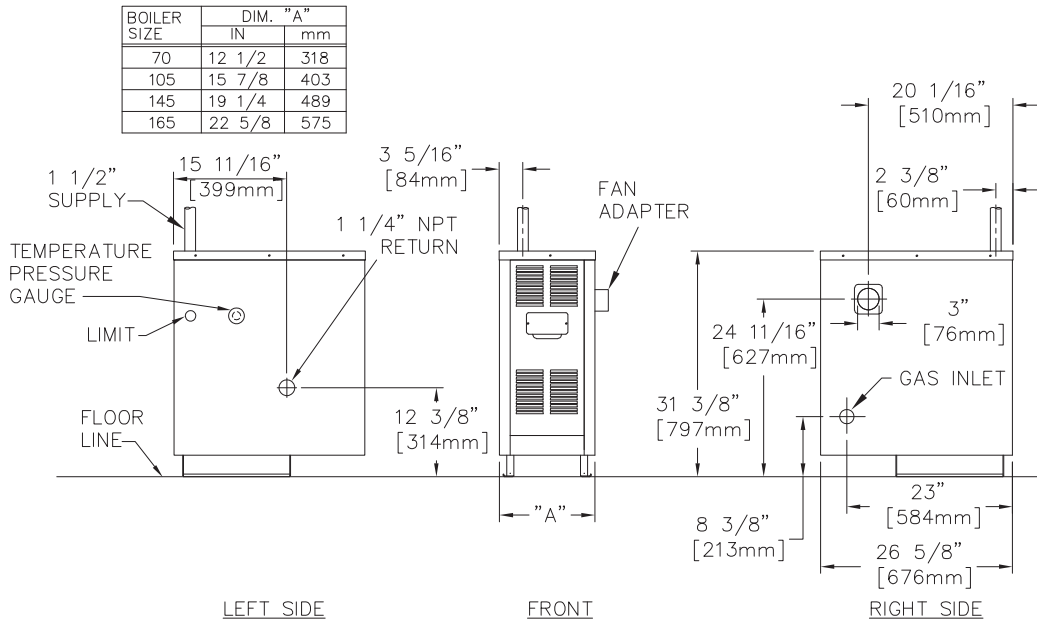


Figure 10.1: Boiler Views

Table 10.1: Boiler Ratings

BOILER RATINGS									
Boiler Size	Input		DOE Heating Capacity ³		Net I=B=R Ratings Water ^{1,2}		Seasonal Efficiency ³ AFUE	Water Content	
	MBH	kW	MBH	kW	MBH	kW	%	Gallon	Liter
70	70	21	58	17	50	15	82.1	4.72	17.87
105	105	31	87	25	76	22	82.0	6.00	22.71
140	140	41	116	34	101	30	82.0	7.28	27.55
165	165	48	136	40	118	35	82.0	8.56	32.40

- 1 Net I=B=R water ratings based on an allowance of 1.15.
- 2 Consult factory before selecting a boiler for installations having unusual piping and pickup requirements, such as intermittent system operation, extensive piping systems, etc.
- 3 Heating Capacity and Annual Fuel Utilization Efficiency (AFUE) ratings are based on U.S. Government test. Before purchasing this appliance, read important information about its estimated annual energy consumptions or energy efficiency rating that is available from your retailer.



11. REPAIR PARTS

REPAIR PARTS

Repair parts are available from your installer or by contacting the manufacturer. Use the figures and tables on pages 33-35 to assist in ordering parts.

Note: Remember to include boiler model number and serial number when ordering parts.

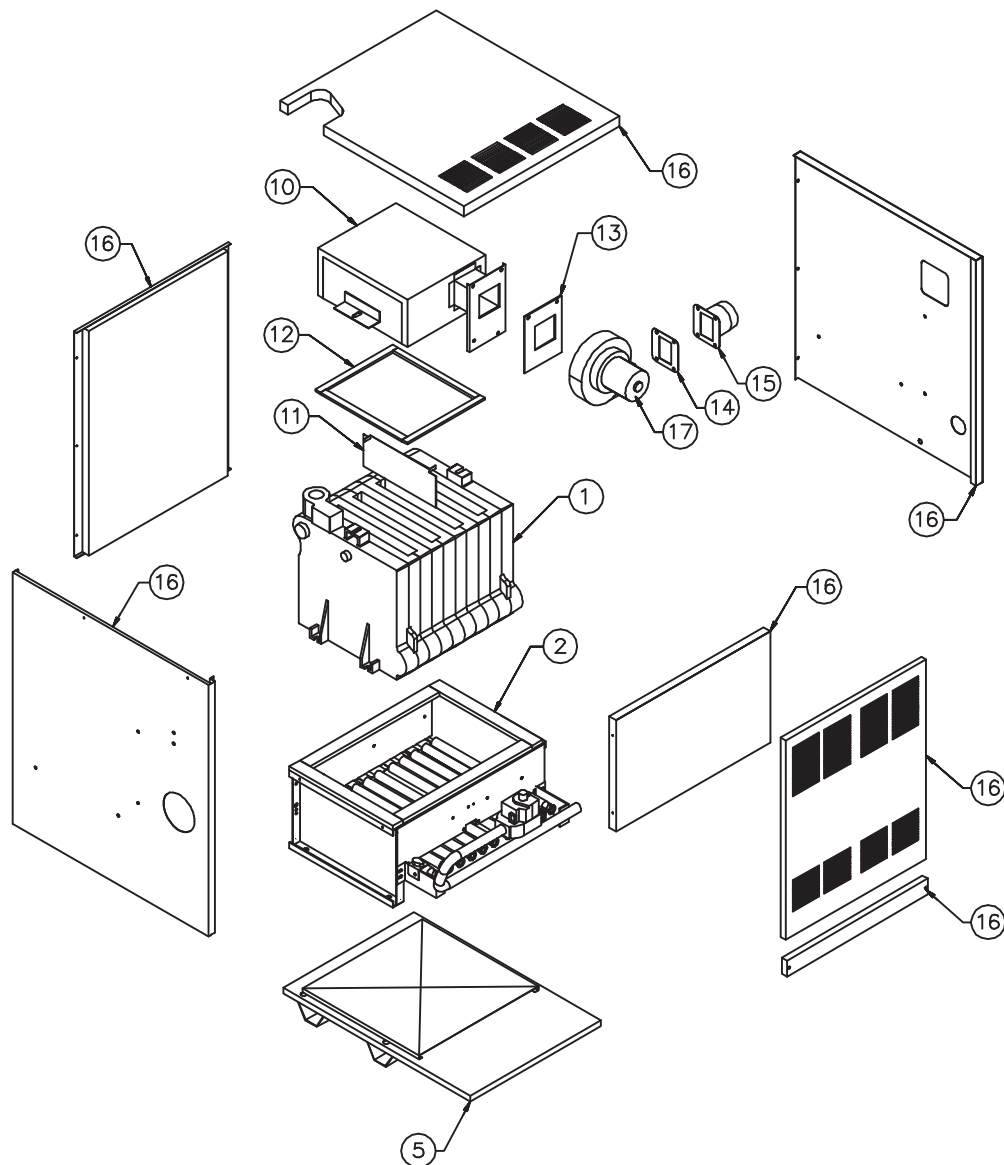


Figure 11.1: Block/Base/Floor Pan/Jacket/Flue Collector

INSTALLATION AND OPERATING INSTRUCTIONS

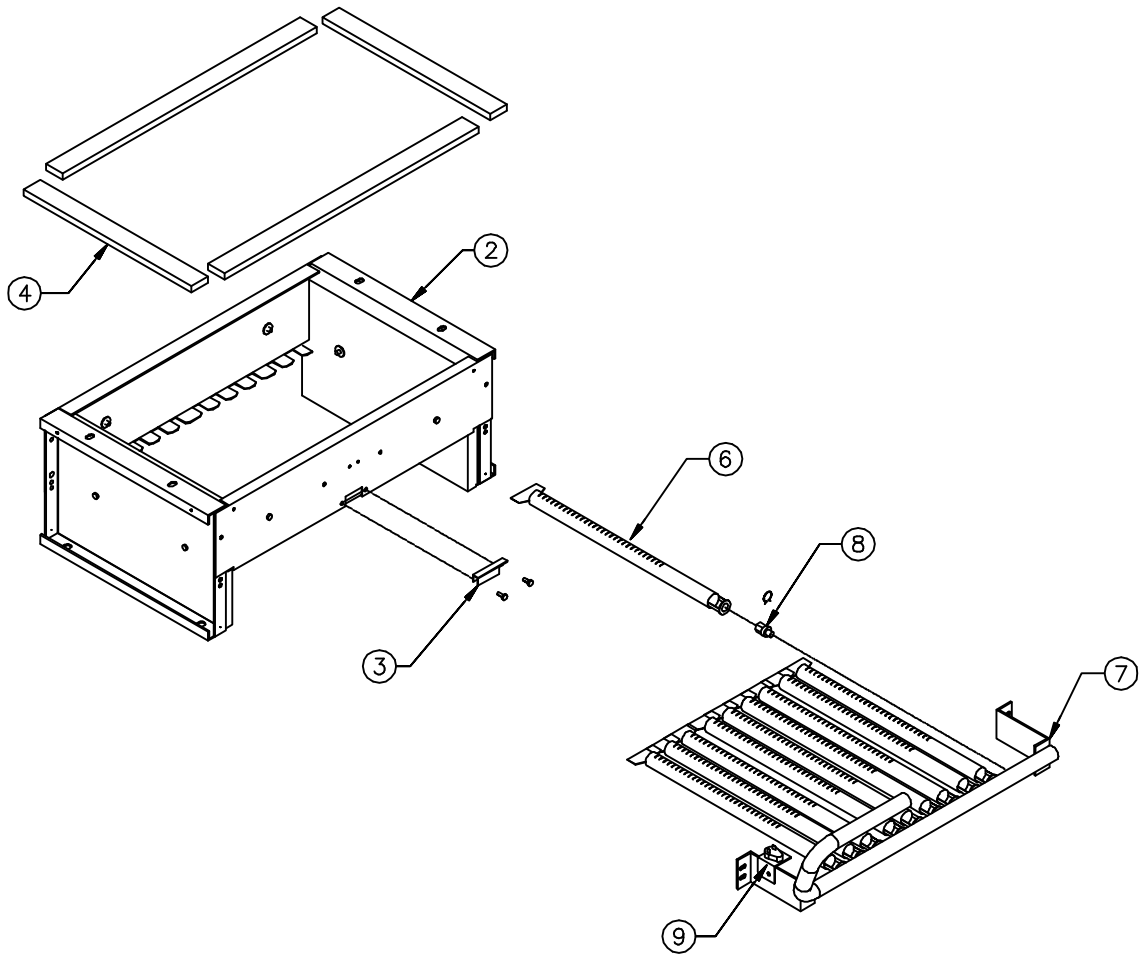


Figure 11.2: Base/Burners/Manifold

INSTALLATION AND OPERATING INSTRUCTIONS

Table 11.1: Repair Parts

Item No.	Description	Part Selection Information	70	105	140	165
1	Block Assembly		90419	90420	90421	90422
2	Base Assembly		7800	7801	7802	7803
3	Observation Cover Door		51771	51771	51771	51771
4	Base Blanket Seal	Specify length	50867	50867	50867	50867
5	Combustible Floor Pan Assembly		90700	90701	90702	90703
6	Steel Burner w/Pilot Clip	1 Per Boiler	51539	51539	51539	51539
	Steel Burner	Specify Quantity	51537	51537	51537	51537
7	Gas Manifold		50978	50979	50980	50981
8	Orifice Spud, #48	Natural Gas 0-2000 ft (0-610 m) elevation (specify qty.) *	50894	50894	50894	—
	Orifice Spud, #49	Natural Gas 0-2000 ft (0-610 m) elevation (specify qty.) *	—	—	—	50895
	Orifice Spud, #56	LP Gas 0-2000 ft (0-610 m) elevation (specify qty.)*	50899	50899	50899	50899
9	Flame Rollout Safety Shut Off Switch		51587	51587	51587	51587
10	Flue Collector/Fan Mount		90195	90196	90197	90198
11	Flue Baffle - 8"	1 per flue (specify qty.)	51584	51584	51584	51584
12	Flue Collector Blanket Seal	Specify length	50866	50866	50866	50866
13	Fan Gasket		50204	50204	50204	50204
14	Fan Adapter Gasket		50203	50203	50203	50203
15	Fan Adapter		90199	90199	90199	90199
16	Jacket Assembly		90244	90245	90246	90247
17	Fan		50212	50212	50212	50212
	Heat-Fab Vent Adapter 7301 AMTK	50199 (Also Available From Heat-Fab Distributor)	—	—	—	—
	Z-Flex Locking Band SVSLBX03	Available from Z-Flex Distributor	—	—	—	—
	ProTech Vent Adapter FSA-PSC/DE-3	Available from ProTech Distributor	—	—	—	—
	Metal-Fab 3C6BAZ Vent Adapter	Available from Metal-Fab Distributor	—	—	—	—
	Honeywell SV9501M2700 Gas Valve	Natural Gas	51682	51682	51682	—
	Honeywell SV9501M2064 Gas Valve	LP Gas	51691	51691	51691	—
	Honeywell SV9601M4167 Gas Valve	Natural Gas	—	—	—	51683
	Honeywell SV9601M4225 Gas Valve	LP Gas	—	—	—	51692
	Honeywell Q3480B1025 Pilot	Natural Gas	51684	51684	51684	51684
	Honeywell Q3480B1058 Pilot	LP Gas	50205	50205	50205	50205
	Honeywell L4080B1253 Limit		50210	50210	50210	50210
	Zettler ZC90113-177 Relay Center		50786	50786	50786	50786
	Cleveland NS2 1104-03 Switch	1.68" W.C. Set Point Pink	50038	—	—	—
	Cleveland NS2 1104-02 Switch	1.47" W.C. Set Point Purple	—	50037	50037	—
	Cleveland NS2 1104-01 Switch	1.27" W.C. Set Point Brown	—	—	—	50036
	Zettler Relay ZC90341		50790	50790	50790	50790
	Safety Relief Valve 30 PSI		50501	50501	50501	50501
	Conbraco 10-408-05		50501	50501	50501	50501
	Safety Relief Valve 50 PSI Watts #350		99950	99950	99950	99950
	Temperature Pressure Gauge		51324	51324	51324	51324

* For elevations over 2000 feet above sea level, contact the manufacturer.

HydroTherm[®]



A MESTEK COMPANY

IN UNITED STATES: 260 NORTH ELM ST. • WESTFIELD, MA 01085 • (413) 564-5515 • FAX (413) 568-9613
IN CANADA: 7555 TRANMERE DRIVE • MISSISSAUGA, ONT. L5S 1L4 • (905) 672-2991 • FAX (905) 672-2883
www.hydrotherm.com