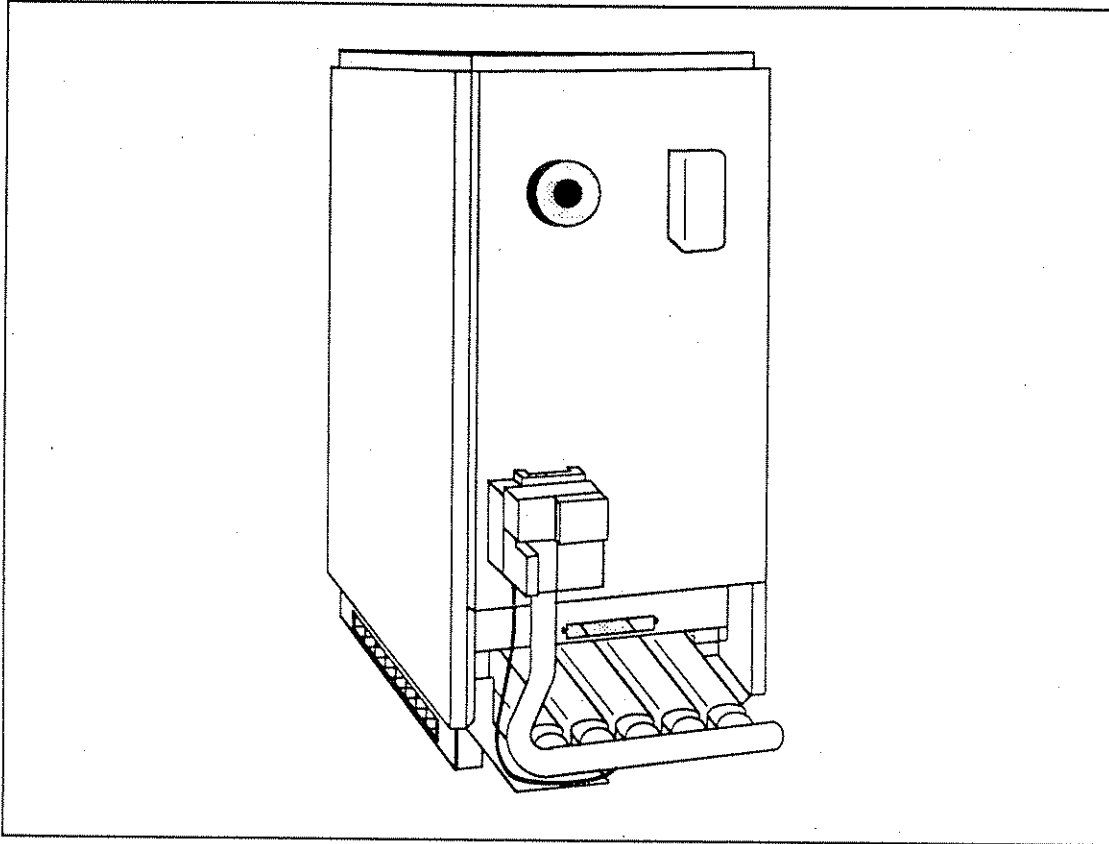


CLICK ANYWHERE ON THIS PAGE TO RETURN TO
HYDROTHERM MANUALS INFORMATION at InspectApedia.com

HCC7-1290
42-9079 Rev. 6

HYDROTHERM^{INC}



MODEL HC-C SERIES REPLACEMENT PARTS LIST

ORDERING INFORMATION: When ordering parts, provide model and serial number shown on unit rating plate as well as part number and name as shown in parts list. Parts may be obtained from your local Hydrotherm heating contractor.

REF NO.	NAME OF PART	PART NO.	HC 65C	HC 85C	HC 100C	HC 125C	HC 145C	HC 165C
1	Absorption Unit Absorption Unit Absorption Unit Absorption Unit	BM-3169 BM-3170 BM-3171 BM-3103	1	1	1	1	1	1
2	Section, Bottom Section, Bottom Section, Bottom Section, Bottom	Bm-9682 01-3307 Bm-9683 01-3313 Bm-9680 01-3312 Bm-9681 01-3351	1	1	1	1	1	1
3	Section, Middle	Bm-9684 01-1900		1	1	1	2	2
4	Section, Top	Bm-9685 01-2001	1	1	1	1	1	1
5	Push Nipple - 1 -1/2"	53-1310	1	2	2	2	3	3
6	Tie Rod - 5/16-18 X 8 1/2" Tie Rod - 5/16-18 X 12" Tie Rod - 5/16-18 X 15 1/2" Tie Rod - 5/16-18 X 14"	44-1108 44-1109 44-1110 44-1103	2	2	2	2	2	2
7	Base Pan Base Pan	03-4315 03-4330	1	1	1	1	1	1
8	Bracket - Burner Bracket - Burner Bracket - Burner	03-7132 03-7133 03-7134	1	1	1	1	1	1
9	Side Plate, Insulated - L.H. Side Plate, Insulated - L.H. Side Plate, Insulated - L.H.	BM-3320 BM-3325 BM-3329	1	1	1	1	1	1
10	Side Plate, Insulated - R.H. Side Plate, Insulated - R.H. Side Plate, Insulated - R.H.	BM-3321 BM-3326 BM-3330	1	1	1	1	1	1
11	Rear Tie Plate, Insulated Rear Tie Plate, Insulated Rear Tie Plate, Insulated	BM-3322 BM-3327 BM-3331	1	1	1	1	1	1
12	Bracket, Manifold - L.H. Bracket, Manifold - R.H.	03-7153 03-7154	1	1	1	1	1	1
13	Front Tie Bar Front Tie Bar	03-7873 03-7874	1	1	1	1	1	1
14	Base Door, Insulated Base Door, Insulated	BM-3324 BM-3332	1	1	1	1	1	1
15	Front Tie Plate, Insulated Front Tie Plate, Insulated	BM-3323 BM-3328	1	1	1	1	1	1
16	Burner - Nat. Burner - Prop.	03-7112 03-7114	1	1	2	2	3	3
17	Burner with Pilot Bracket, Nat. Burner with Pilot Bracket, LP	03-7117 03-7118	1	1	1	1	1	1
18	Pilot Ass'y - Nat. Q314A W/Q309A & BCR18 Pilot Ass'y- Nat. Q314A W/Q309A & BBR10	BM-8072 BM-8073	1	1	1	1	1	1
19	Pilot Orifice-Nat. (BCR 18) Pilot Orifice- Prop. (BBR10)	62-3326 62-3327	1	1	1	1	1	1
20	Thermocouple - (Q309A)	04-1307	1	1	1	1	1	1
21	Burner Orifice #37 (Nat.) Burner Orifice #31 (Nat.) Burner Orifice #36 (Nat.) Burner Orifice #34 (Nat.) Burner Orifice # 51 (Prop.) Burner Orifice # 48 (Prop.) Burner Orifice #50 (Prop.)	25-1121 25-1118 25-1120 25-1119 25-1124 25-1122 25-1123	2	2	3	3	4	4

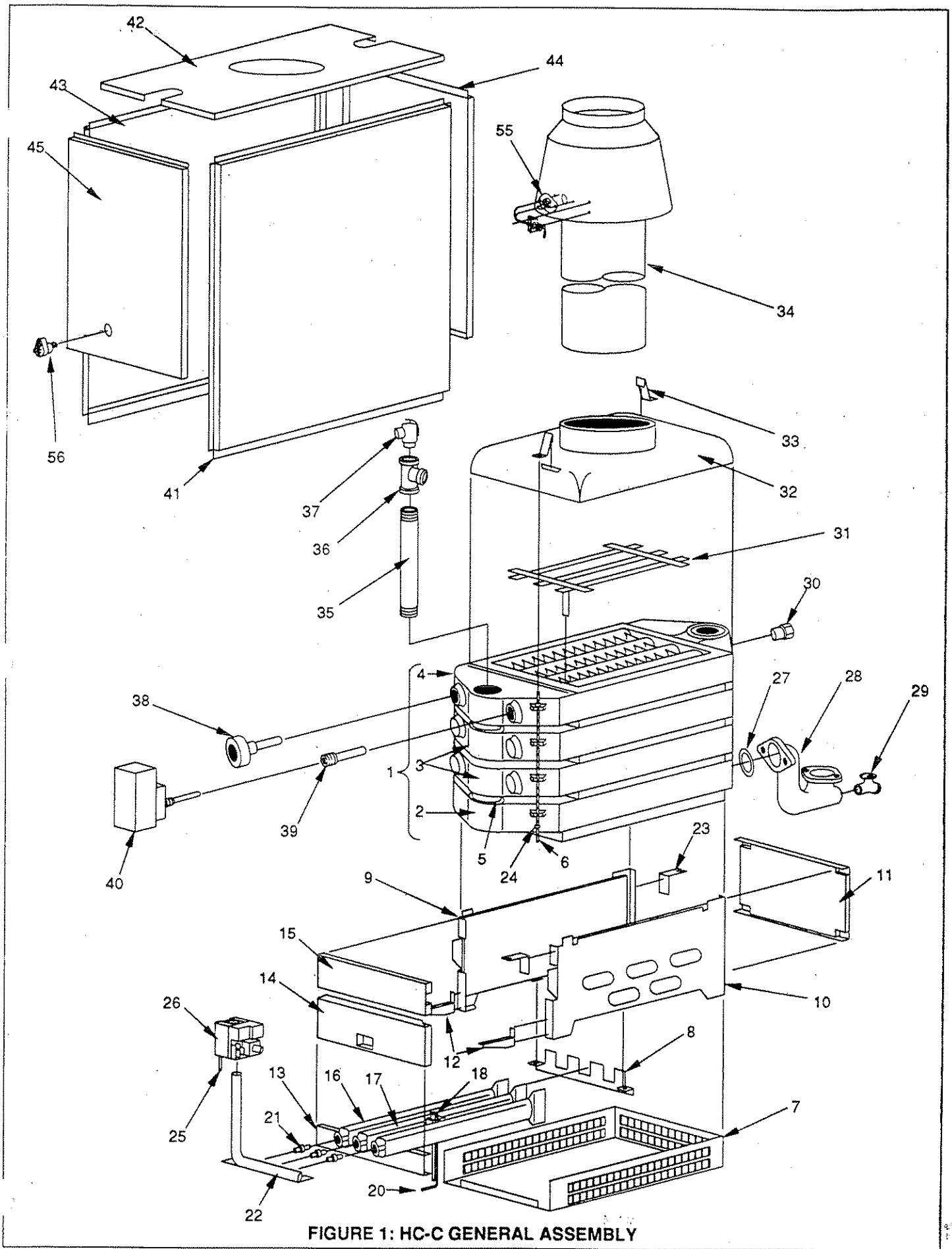


FIGURE 1: HC-C GENERAL ASSEMBLY

REF NO.	NAME OF PART	PART NO.	HC 65C	HC 85C	HC 100C	HC 125C	HC 145C	HC 165C
22	Manifold Manifold Manifold Manifold	24-1105 24-1106 24-1107 24-1108	1	1	1	1	1	1
23	Tie Bracket	55-2603	2	2	2	2	2	
24	5/16 - 18 Hex. Nut	57-2602	10	10	10	10	10	
25	Pilot Line with Fittings	BM-3395	1	1	1	1	1	1
26	Gas Valve - 24V Nat. VR8200H 1129 Gas Valve - 24V LP VR200H 1137	02-1540 02-1541	1 1	1 1	1 1	1 1	1 1	1 1
27	Gasket - Circulator Fitting	59-1000	1	1	1	1	1	1
28	Universal Circulator Fitting	01-3331	1	1	1	1	1	1
29	Drain Cock	51-1201	1	1	1	1	1	1
30	Pipe Plug - 1/2	56-4601	1	1	1	1	1	2
31	Grid	03-2201	1					
32	Dome & Baffle Ass'y Dome - 5" Dome - 6" Dome - 7"	BM-3384 01-2100 01-2102 01-2103	1	1	1	1	1	1
33	Bracket - Dome	55-1404	2	2	2	2	2	2
34	Draft Hood for Spill Switch - 5" Draft Hood for Spill Switch - 6" Draft Hood for Spill Switch - 7" X 6" Draft Hood for Spill Switch - 7"	03-8140 03-8141 03-8142 03-8145	1	1	1	1	1	1
35	Nipple - 3/4 X 9"	53-1133	1	1	1	1	1	1
36	Vent Fitting	56-5430	1	1	1	1	1	1
37	Pressure Relief Valve	22-1002	1	1	1	1	1	1
38	Temp. - Pressure Indicator	20-1014	1	1	1	1	1	1
39	Well - 1/2"	02-3413	1	1	1	1	1	1
40	Hi-Limit Aquastat	02-2702	1	1	1	1	1	1
41	Junction Box - 4" X 4" (24V)	58-1800	1	1	1	1	1	1
42	Transformer - 115/24V	26-3005	1	1	1	1	1	1
-	Cope Seal - 5 Ft. Increments	10-6625						
43	Side Panel - Jacket Side Panel - Jacket Side Panel - Jacket Side Panel - Jacket	03-1000.1 03-1007.1 03-1013.1 03-1017.1	2	2	2	2	2	2
44	Top Panel - Jacket Top Panel - Jacket Top Panel - Jacket Top Panel - Jacket	03-1000.2 03-1012.1 03-1004.1 03-1018.1	1	1	1	1	1	1
45	Rear Panel - Jacket Rear Panel - Jacket Rear Panel - Jacket Rear Panel - Jacket	03-1000.3 03-1012.2 03-1013.3 03-1017.3	1	1	1	1	1	1
46	Front Panel - Jacket Front Panel - Jacket Front Panel - Jacket Front Panel - Jacket	03-1000.4 03-1012.3 03-1013.4 03-1017.2	1	1	1	1	1	1
-	Jacket - Complete Jacket - Complete Jacket - Complete Jacket - Complete Jacket - Complete	03-1000 03-1007 03-1012 03-1004 03-1017	1	1	1	1	1	1
55	Spill Switch (Manual Reset)	58-2526	1	1	1	1	1	1
56	Rollout Switch (Thermal Fuse) 3/10 Rollout Switch (Thermal Fuse)	58-1895 58-2532	1	1	1	1	1	1

NLA →
The
limit
use

USE 58-2527
(current
manual reset
OK per
Mike A 3/16/10

PARTS FOR HONEYWELL INTERMITTENT PILOT SYSTEM

REF NO.	NAME OF PART	PART NO.	HC 65C	HC 85C	HC 100C	HC 125C	HC 145C	HC 165C
50	Gas Valve - 24 Nat. VR8204H 1006	02-1543	1	1	1	1	1	1
51	Pilot control - S8600F (N.G.)	BM-8142	1	1	1	1	1	1
52	Ignition Cable - 24"	BM-8137	1	1	1	1	1	1
53	Pilot Igniter Ass'y - Q345ALB	62-3317	1	1	1	1	1	1
54	Heat Shield Heat Shield	03-3129 03-3137	1					
42	Tranformer - 40VA	26-3001	1	1	1	1	1	1

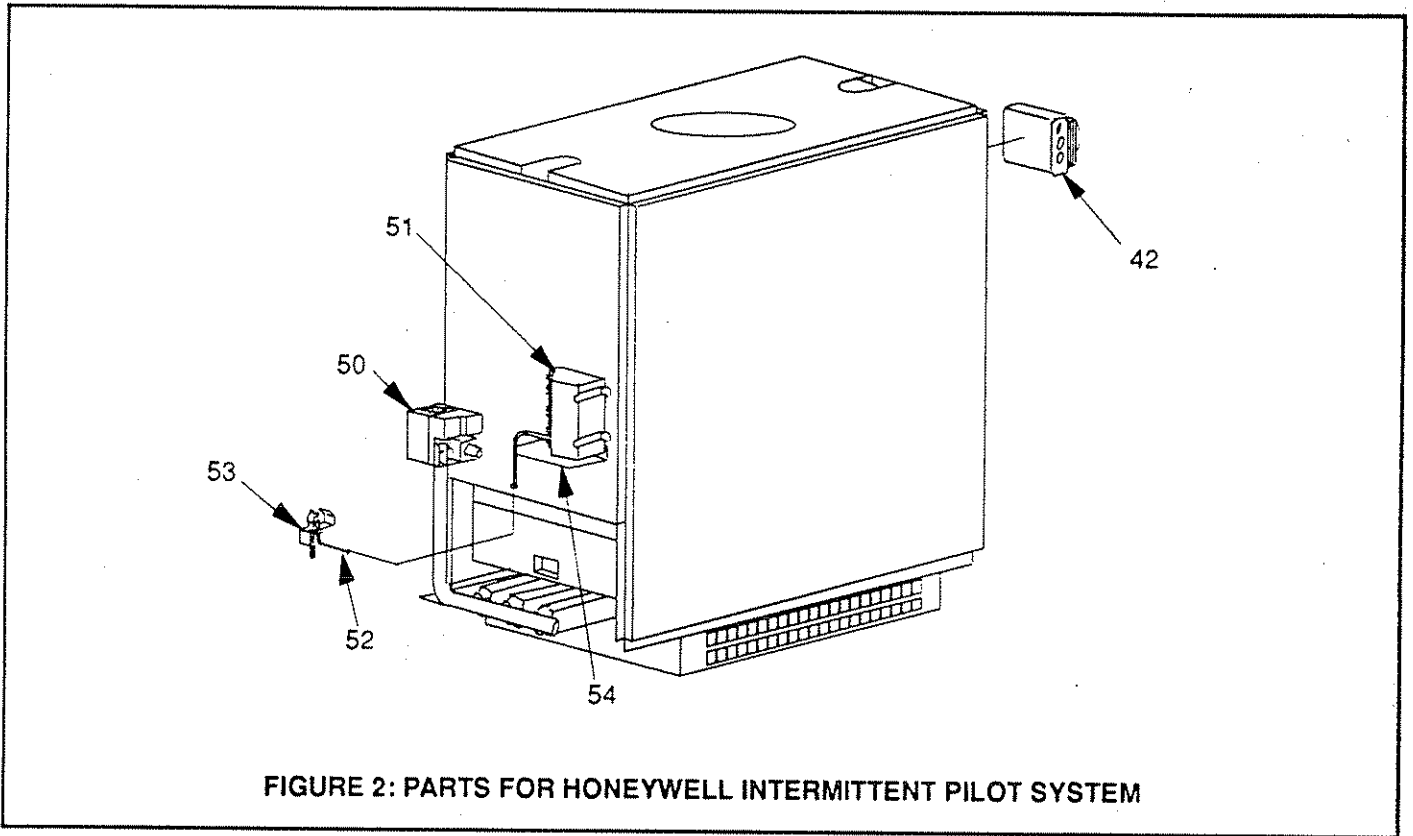


FIGURE 2: PARTS FOR HONEYWELL INTERMITTENT PILOT SYSTEM

Innovators in energy conservation

HYDRO THERM^{INC}

ROCKLAND AVENUE
NORTHVALE, NJ 07647
(201) 768-5500/FAX (201) 768-3464

6860 REXWOOD ROAD
MISSISSAUGA, ONT. L4V 1L8 CANADA
(416) 678-9383/FAX (416) 678-9962

Copyright 1990, Hydrotherm, Inc.

215-891-0283