

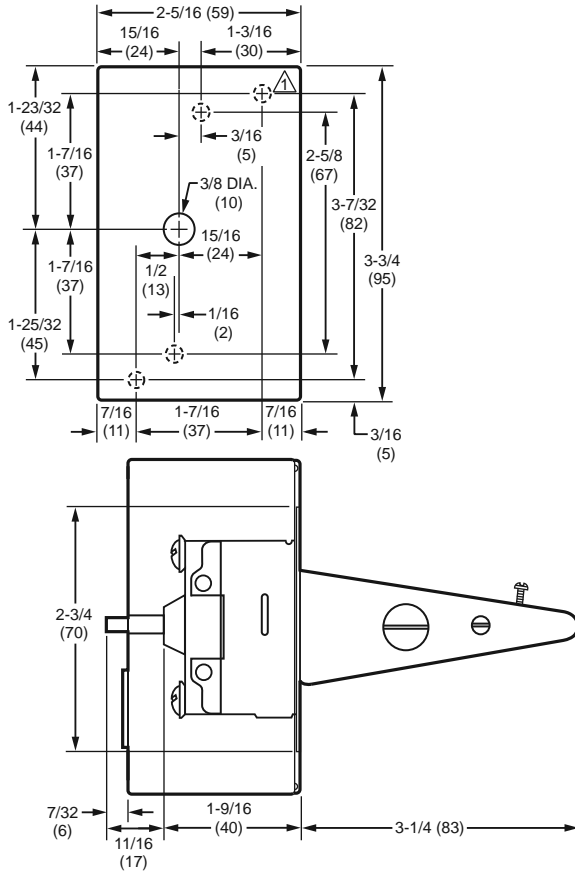
L4029 High Limit Controller



L4029E Reset Limit Control opens a line or low voltage circuit if the air temperature reaches a critical level at controller location. The primary usage of the L4029E is as a fire thermostat in the duct work of air conditioning and ventilating systems. If the circulated air reaches a temperature indicative of fire, the limit control shuts off the fan, preventing the fan from contributing to the spread of fire. It is also suitable for use with any warm air furnace to provide positive lockout of the burner in the event of fan failure.

- Shuts off the fan when air temperature is indicative of fire.
- Internal snap-acting switch actuated by a bimetal strip inserted directly into the air stream responds rapidly to temperature changes.
- Requires manual reset.

Dimensions in inches (millimeters)



△ 3/16 (5) DIAMETER MOUNTING HOLES L4029E WITH CASE AND COVER.
M27077

Dimensions, Approximate:

3 3/4 in. high x 2 5/16 in. wide x 2 in. deep excluding element.
(95 mm high x 59 mm wide x 51 mm deep excluding element.)

Maximum Ambient Temperature:

Switch: 190F; Sensing Element: 350 F
(Switch: 88 C; Sensing Element: 177 C)

Element Insertion Length: 3 in. (76 mm)

Electrical Rating Limit:

Full Load: 5 A @ 240 Vac; 10 A @ 120 Vac; 2 A @ 30 Vac

Locked Rotor: 30 A @ 240 Vac; 60 A @ 120 Vac

Pilot Duty: 0.25 A @ 0.25 to 12 Vdc

Approvals:

Canadian Standards Association: Certified: File No. LR95329-5

Underwriters Laboratories, Inc. Listed: File No. MP466, Vol. 8, Guide No. MBPR2

Residential
Combustion Controls

Product Number	High Limit Stop	Switching Action
L4029E1011	135 F	Normally closed SPST switch opens on temperature rise to the set point. Switch must be manually reset to operate.
L4029E1029	200 F	Normally closed SPST switch opens on temperature rise to the set point. Switch must be manually reset to operate.
L4029E1045	240 F	Normally closed SPST switch opens on temperature rise to the set point. Switch must be manually reset to operate.
* L4029E1219	165 F	Normally closed SPST switch opens on temperature rise to the set point. Switch must be manually reset to operate.
* L4029E1227	125 F	Normally closed SPST switch opens on temperature rise to the set point. Switch must be manually reset to operate.

* TRADELINE models • SUPER TRADELINE models

Fan and Limit Controllers

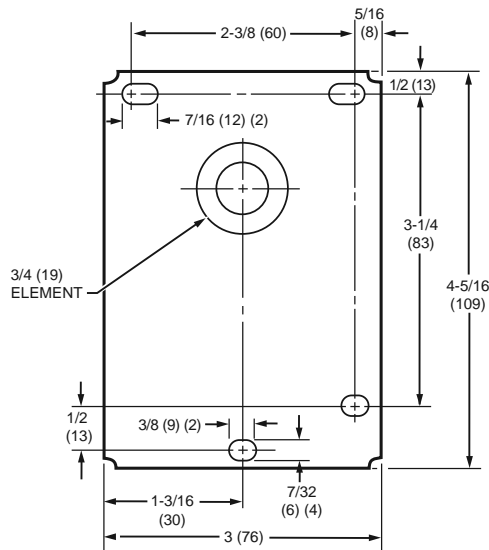
L4064 Fan and Limit Controllers



For control of high limit and fan motor in all types of forced air heating systems.

- Three wiring terminal options available for easy installation:
- Push-in receptacles for stripped wire.
- Female receptacles for 1/4 in. male flag connectors.
- Field add-on screw terminals.
- Controls adapt to many competitive mounting holes in replacement applications.
- Available in a variety of fan and high limit setting ranges.
- L4064B,W models have manual fan switch that overrides fan control to keep fan running continuously.
- TRADELINE models with mounting adapters for easy installation and strain relief bushings to protect wiring from field abuse.

Dimensions in inches (millimeters)



NOTE: OVERALL DEPTH WITH FAN SWITCH IS 2 INCHES (51MM); MODELS LESS FAN SWITCH ARE 1-5/8 INCHES (41MM).

Application: Forced warm air heating systems

Operating Temperature Range: -40 F to +190 F (-40 C to +88 C)

Maximum Ambient Temperature: Switch: 190 F; Sensing Element: 350 F (Switch: 88 C; Sensing Element: 177 C)

Differential Temperature: High limit 25 F (High limit 14 C)

High Limit Temperature Range: 100 F to 250 F (38 C to 121 C)

Fan-off Stop: 100 F

Fan-on Stop: 125 F

High Limit Stop: 200 F

Switching Action: Fan switch makes and high limit switch breaks on temperature rise.

Pilot Duty: 0.25 A @ 0.25 to 12 Vdc; 2 A @ 24 Vac

Electrical Rating Fan

Full Load: 14 A @ 120 Vac; 7 A @ 240 Vac

Locked Rotor: 84 A @ 120 Vac; 42 A @ 240 Vac

Electrical Rating Limit

Full Load: 8 A @ 120 Vac; 4 A @ 240 Vac

Locked Rotor: 48 A @ 120 Vac; 24 A @ 240 Vac

Approvals:

Canadian Standards Association: Certified: File No. LR1622

Underwriters Laboratories, Inc. Listed File LR1322-336 and -323

Accessories:

129250AA Double wing mounting flange assembly for Fan and Limit Control L4064

Product Number	Element Insertion Length		Fan-off Range		Fan-on Range		Timing	Mounting	Comments
	(inch)	(mm)	(F)	(C)	(F)	(C)			
• L4064B1451	11 1/2 in.	292 mm	50 F to 200 F	10 C to 93 C	65 F to 215 F	18 C to 102 C	—	Rigid bracket	Turns fan on and off according to plenum temperature. With helical bimetal sensing element. High limit stop set at 200F (93 C). With manual fan switch. Deluxe cover. Replaces L4064A,B,E.
• L4064B1469	5 in.	127 mm	50 F to 200 F	10 C to 93 C	65 F to 215 F	18 C to 102 C	—	Rigid bracket	Turns fan on and off according to plenum temperature. With helical bimetal sensing element. High limit stop set at 200F (93 C). With manual fan switch. Deluxe cover. Replaces L4064A,B,E.
* L4064B2210	11 1/2 in.	292 mm	50 F to 200 F	10 C to 93 C	65 F to 215 F	18 C to 102 C	—	Surface	Turns fan on and off according to plenum temperature. With helical bimetal sensing element. High limit stop set at 200F (93 C). With manual fan switch. Small case and cover. Replaces L4064A,B,E.
* L4064B2228	5 in.	127 mm	50 F to 200 F	10 C to 93 C	65 F to 215 F	18 C to 102 C	—	Surface	Turns fan on and off according to plenum temperature. With helical bimetal sensing element. High limit stop set at 200F (93 C). With manual fan switch. Small case and cover. Replaces L4064A,B,E.
* L4064B2236	8 in.	203 mm	50 F to 200 F	10 C to 93 C	65 F to 215 F	18 C to 102 C	—	Surface	Turns fan on and off according to plenum temperature. With helical bimetal sensing element. High limit stop set at 200F (93 C). With manual fan switch. Small case and cover. Replaces L4064A,B,E.

* TRADELINE models • SUPER TRADELINE models

Fan and Limit Controllers

Residential
Combustion Controls

Product Number	Element Insertion Length		Fan-off Range		Fan-on Range		Timing	Mounting	Comments
	(inch)	(mm)	(F)	(C)	(F)	(C)			
* L4064W1080	5 in.	127 mm	50 F to 200 F	10 C to 93 C	20 to 90 sec. after call for heat	20 to 90 sec. after call for heat	20 to 90 sec. after call for heat	Surface mounting or bracket (rigid or swivel)	Turns fan on and off according to plenum temperature. With helical bimetal sensing element. High limit stop set at 200F (93 C). Jumper in. With timed on fan feature and manual fan switch. Replaces L4064T, Y.
* L4064W1098	8 in.	203 mm	50 F to 200 F	10 C to 93 C	20 to 90 sec. after call for heat	20 to 90 sec. after call for heat	20 to 90 sec. after call for heat	Surface mounting or bracket (rigid or swivel)	Turns fan on and off according to plenum temperature. With helical bimetal sensing element. High limit stop set at 200F (93 C). Jumper in. With timed on fan feature and manual fan switch. Replaces L4064T, Y.
* L4064W1106	11 1/2 in.	292 mm	50 F to 200 F	10 C to 93 C	20 to 90 sec. after call for heat	20 to 90 sec. after call for heat	20 to 90 sec. after call for heat	Surface mounting or bracket (rigid or swivel)	Turns fan on and off according to plenum temperature. With helical bimetal sensing element. High limit stop set at 200F (93 C). Jumper in. With timed on fan feature and manual fan switch. Replaces L4064T, Y.

* TRADELINE models • SUPER TRADELINE models

L4064K Airstat Fan Safety Cutoff Controller



The L4064K is a manual reset fan safety cutoff switch used in all types of heating, ventilating and air conditioning system to shut down fan operation.

- Three wiring terminal options available for easy installation:
- Push-in receptacles for stripped wire.
- Female receptacles for 1/4 in. male flag connectors.*Field add-on screw terminals.
- Controls adapt to many competitive mounting holes in replacement applications.
- Must be manually reset before the fan can resume operation.

Application: Heating, ventilating and air conditioning systems

Dimensions, Approximate:

4 9/32 in. high x 3 in. wide x 13 3/32 in. deep excluding element
(109 mm high x 76 mm wide x 333 mm deep excluding element)

Operating Temperature Range: 50 F to 165 F (10 C to 74 C)

Maximum Ambient Temperature:

Switch: 190 F; Sensing Element: 350 F
(Switch: 88 C; Sensing Element: 177 C)

Mounting: Flush mount, or rigid bracket, or swivel

Electrical Rating Limit

Full Load: 8 A @ 120 Vac; 4 A @ 240 Vac

Locked Rotor: 48 A @ 120 Vac; 24 A @ 240 Vac

Pilot Duty: 0.25 A @ 0.25 to 12 Vdc; 2 A @ 24 Vac

Approvals:

Canadian Standards Association: Certified: File No. LR1622

Underwriters Laboratories, Inc. Listed File MP466, Guide MBPR

Accessories:

129250AA Double wing mounting flange assembly for Fan and Limit Control L4064

Product Number	Element Insertion Length		High Limit Stop	Switching Action	Comments
	(inch)	(mm)			
L4064K1006	11 1/2 in.	292 mm	167 F	SPST fan safety cutoff switch breaks on temperature rise and requires a manual reset to remake.	Turns fan off according to high limit stop temperature. High limit stop set at 167F (75 C). Jumper out.
L4064K1014	11 1/2 in.	292 mm	165 F	SPST fan safety cutoff switch breaks on temperature rise and requires a manual reset to remake.	Turns fan off according to high limit stop temperature. High limit stop set at 167F (75 C). Jumper out.

Fan and Limit Control Accessories

Product Number	Description	Used With
110265A	Mounting Flange Assembly for Fan and Limit Control	Limit stop Tool
196722	Limit stop adjusting tool for L4064	