



C WIRE ADAPTER

Installation Guide

Online Guides and Support

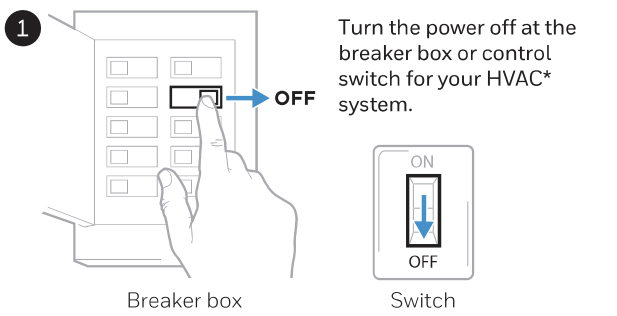
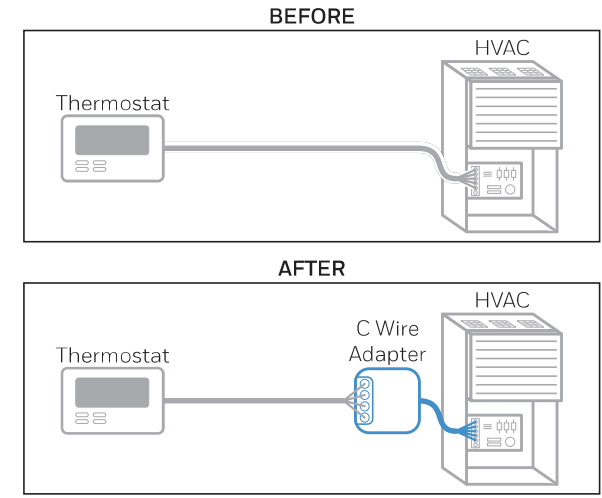
customer.honeywell.com



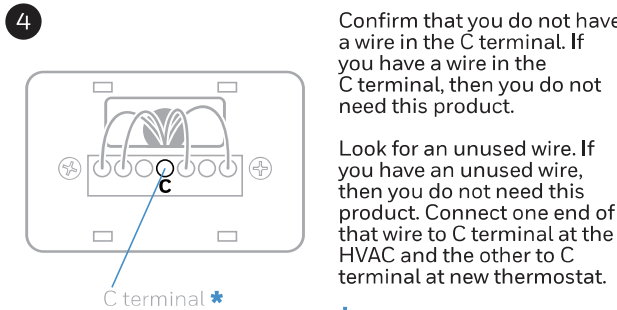
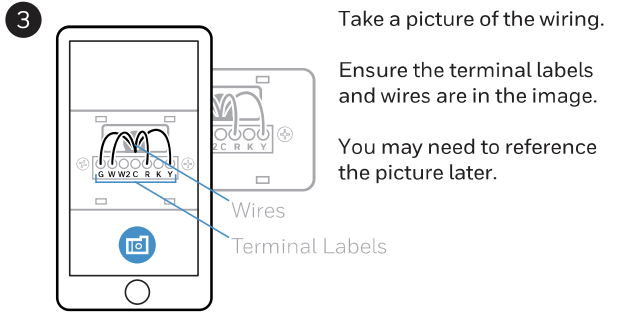
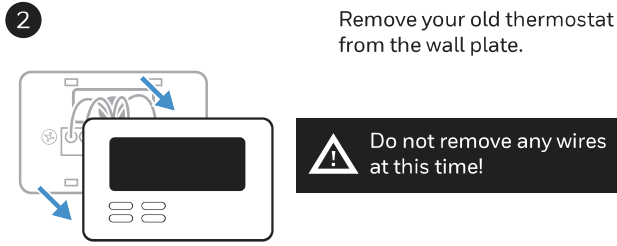
Overview

This product provides a C wire (common wire) to power a thermostat. Only install if you do not have a C wire available to connect to your thermostat.

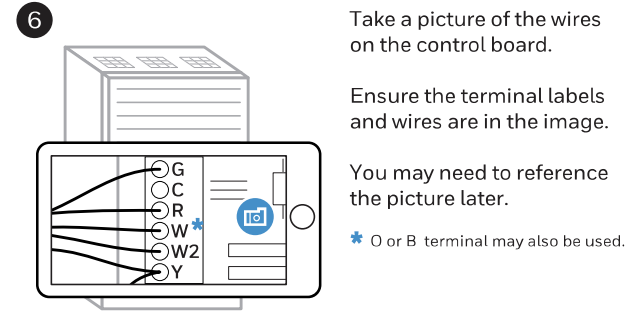
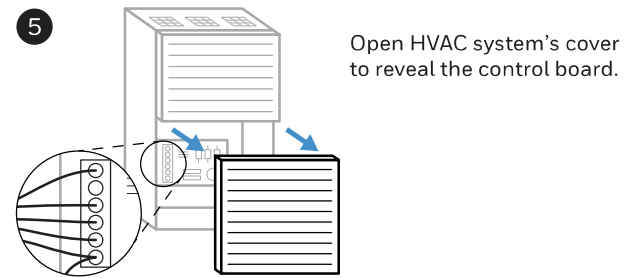
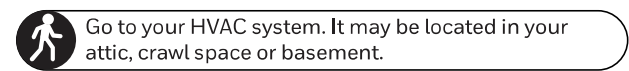
ZONING CONTROL PANEL CHECK
For zoned systems, install the C Wire Adapter between the thermostat and the zoning panel, NOT between the zoning panel and HVAC equipment.



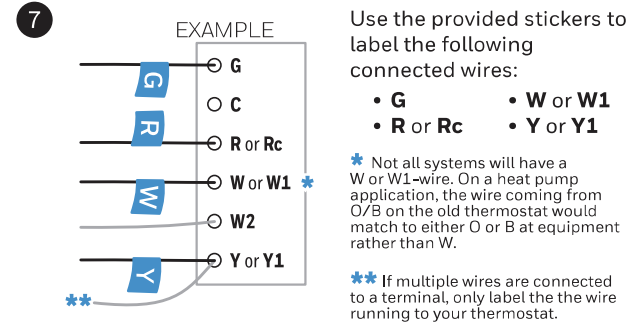
*Heating, ventilation, and air conditioning



* The C wire (common) might be labeled as B rather than C on certain thermostats.

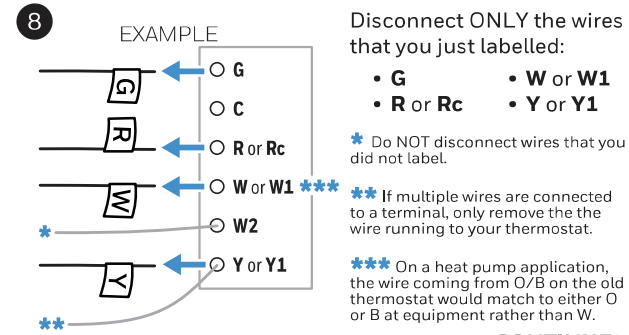


* O or B terminal may also be used.



* Not all systems will have a W or W1-wire. On a heat pump application, the wire coming from O/B on the old thermostat would match to either O or B at equipment rather than W.

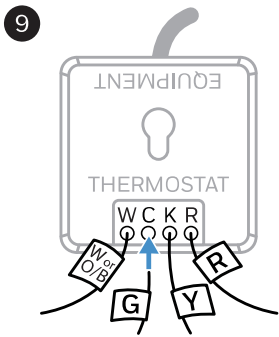
** If multiple wires are connected to a terminal, only label the the wire running to your thermostat.



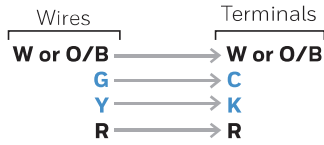
* Do NOT disconnect wires that you did not label.

** If multiple wires are connected to a terminal, only remove the the wire running to your thermostat.

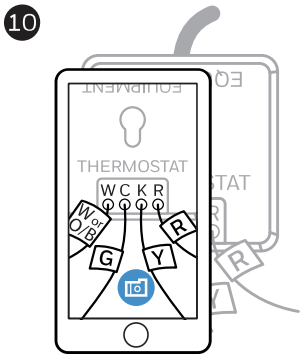
*** On a heat pump application, the wire coming from O/B on the old thermostat would match to either O or B at equipment rather than W.



Insert the wires you just disconnected into the C Wire Adapter terminals.



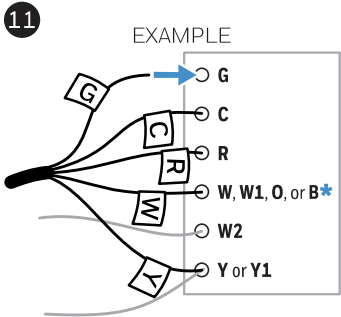
This will convert the G and Y-wires into C and K-wires.



Take a picture of the wires you inserted into the C Wire Adapter.

Ensure the terminal labels and wires are in the image.

You may need to reference the picture later.

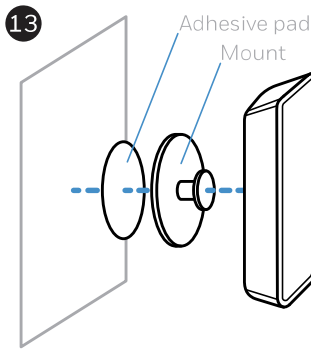
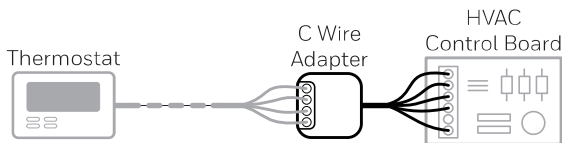


Connect the wires from the "Equipment" labelled side of the C Wire Adapter to the matching terminals on the control board.

* If there are separate wires to W and O, leave the W and O wires attached at HVAC and do not connect them to the C Wire Adapter.

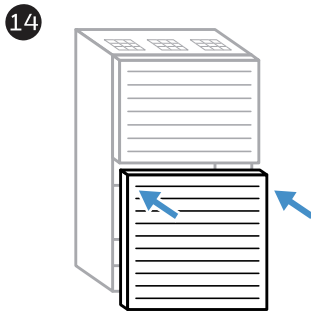
12 CHECKPOINT

Your C Wire Adapter should now be installed between your thermostat wiring and the control board.



Before mounting, check to make sure surface is clean enough to ensure good adhesion.

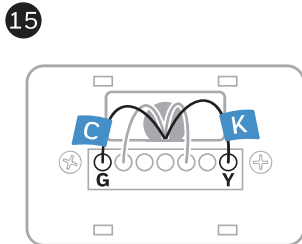
Mount C Wire Adapter inside the furnace using included mount and adhesive pad.



Close the HVAC system's cover.

⚠ Leave the power off.

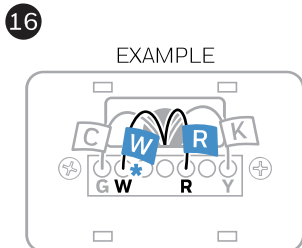
🚶 Go back to your thermostat.



Label your now converted wires as shown.

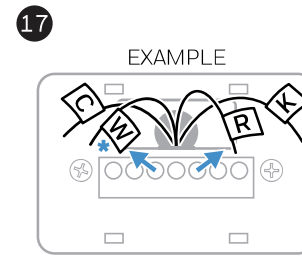


The wires you label C and K are the wires you inserted into the C and K-terminals in step 9.



Label ALL of the remaining wires according to their terminals.

* O/B terminal may also be used.



Confirm you have labelled ALL of your wiring.

Disconnect the wires from the old wall plate.

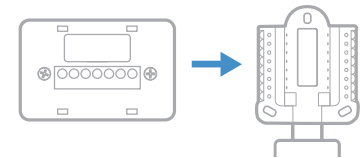
* O/B terminal may also be used.

18 NEXT STEPS

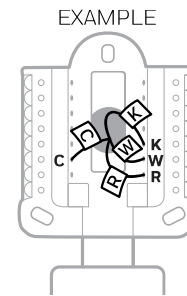


Refer to your new thermostat's installation guide for detailed instructions to complete the following tasks below.

A Remove the old wall plate and mount the new one.



B Wire the new thermostat.



⚠ Refer to the labels you applied when inserting the wires.

When done wiring, you should have wires in the C and K-terminals.

You should not have wires in the Y or G-terminals.

C Complete your new thermostat's installation by attaching the thermostat to the wall plate, restoring the power, and configuring the thermostat.

Home and Building Technologies

Honeywell
715 Peachtree Street NE
Atlanta, GA 30308
customer.honeywell.com

®U.S. Registered Trademark
©2018 Honeywell International Inc.
33-00342-04 M.S. Rev. 05-18
Printed in U.S.A.