

## Equipment Interface Module Installation Guide



### Equipment Interface Module works with:

- Prestige IAQ
- VisionPRO 8000 with RedLINK®

#### RedLINK to Equipment Interface Module



2 Wires for Power



OR

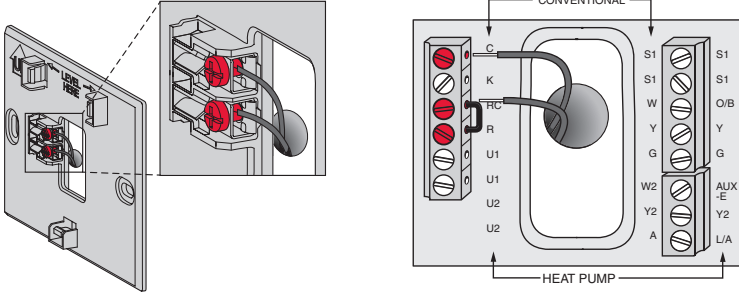
#### RedLINK to Equipment Interface Module



2 Wires for Power  
or Battery Only (no wires)



# 1 Install thermostat

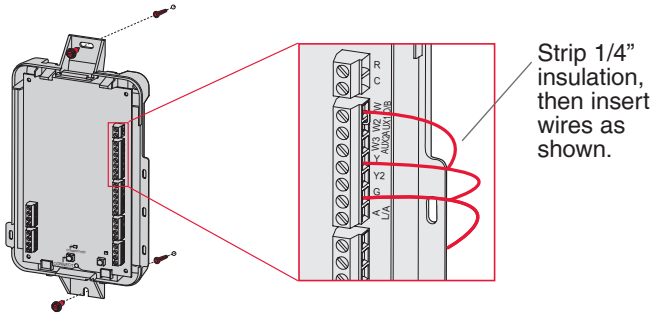


**Prestige/VisionPRO with RedLINK:** Mount the thermostat and wire to C and R terminals of the Equipment Interface Module (EIM), or to a separate 24 volt transformer (not provided).

**NOTE:** When the VisionPRO with RedLINK thermostat is used with the EIM, the relays in the thermostat do not function.

# 2 Install equipment interface module

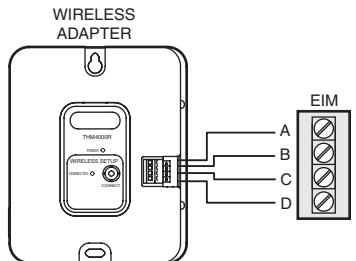
Use screws & anchors as appropriate for the mounting surface. Mount the EIM near the HVAC equipment, or on the equipment itself.



**NOTE:** If you install more than one thermostat and EIM, the EIMs must be at least 2 feet apart.

**NOTE:** If you are installing discharge and return air sensors, refer to the mounting instructions in the Alerts and Delta T Diagnostics Installation Instructions packed with the Prestige IAQ kit.

If an EIM is mounted inside a metal cabinet, it is recommended to use a THM4000R1000 Wireless Adapter for extended wireless range. Mount the Wireless Adapter outside the metal cabinet and connect to the ABCD terminals at the EIM.



## 3 Power optional RedLINK accessories

### 3.1 Install batteries in RedLINK accessories.

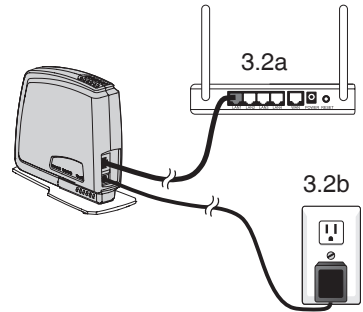
- Portable Comfort Control
- Wireless Outdoor Sensor\*
- Wireless Indoor Sensor\*
- Wireless Entry/Exit Remote\*
- Wireless Vent and Filter Boost Remote\*

\* Requires setup. See Installer Setup options in Step 4.5.

### 3.2 Connect gateway to internet and connect to power.

3.2a Connect RedLINK Internet Gateway to router or modem with Ethernet cable (RJ45).

3.2b Connect gateway's power cord to an electrical outlet that is not controlled by a wall switch.

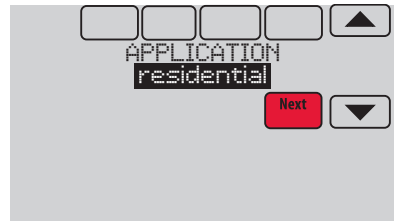
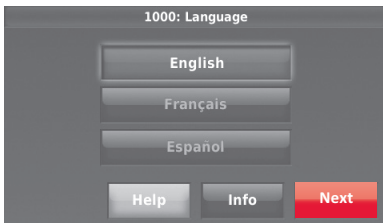


## 4 Performing initial setup

Initial setup options define the type of system you are installing:

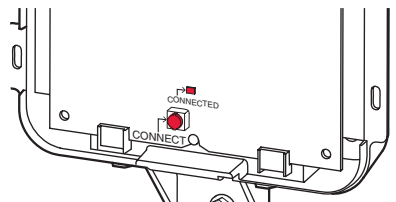
- Residential or commercial
- Non-zoned or zoned

### 4.1 Follow prompts on the screen to select appropriate options.



### 4.2 Link the thermostat to the equipment interface module.

4.2a **Press and quickly release** the CONNECT button on the EIM. Make sure the "Connected" light is flashing green.





**NOTE:** If the “Connected” light does NOT flash green, another system may be in the listening mode. Please exit the listening mode at the other system and then try again.

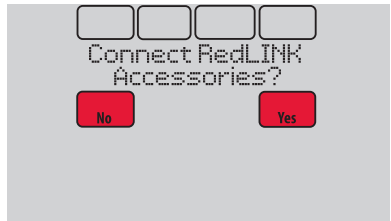
- Green Flashing: In Listening Mode - system is ready to add RedLINK devices.
- Green Steady: RedLINK devices are communicating.
- Red: RedLINK device(s) are NOT communicating. Check EIM and RedLINK devices.

4.2b While the “Connected” light is flashing green on the EIM, press **NEXT** on the thermostat. After a short delay, the screen will show the thermostat is connected.



#### 4.3 When you see the prompt Do you have RedLINK accessories to connect? Touch **YES** or **NO**.

- If you select **YES**, you will be prompted to Press Connect on all new accessories. Continue to Step 4.4.
- If you select **NO**, continue to Step 4.5.

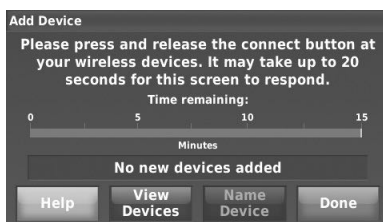


#### 4.4 Connect each RedLINK accessory.



**NOTE:** Make sure accessories are at least 2 feet away from the EIM during the linking process.

4.4a While the Add Device screen is displayed (listening mode), **press and quickly release** the CONNECT button on each new RedLINK accessory.





4.4b After a short delay (up to 20 seconds), check the thermostat to confirm the connection of each RedLINK accessory.

4.4c Touch **DONE** at the thermostat after all new RedLINK accessories are connected.



**NOTE:** The thermostat displays a countdown timer while in listening mode. If it detects no activity for 15 minutes, it exits listening mode.

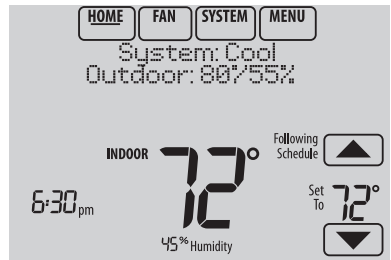


#### 4.5 Finish the initial setup.

Finish the setup by selecting the desired options. Touch **DONE** after you select the last option you want to change.

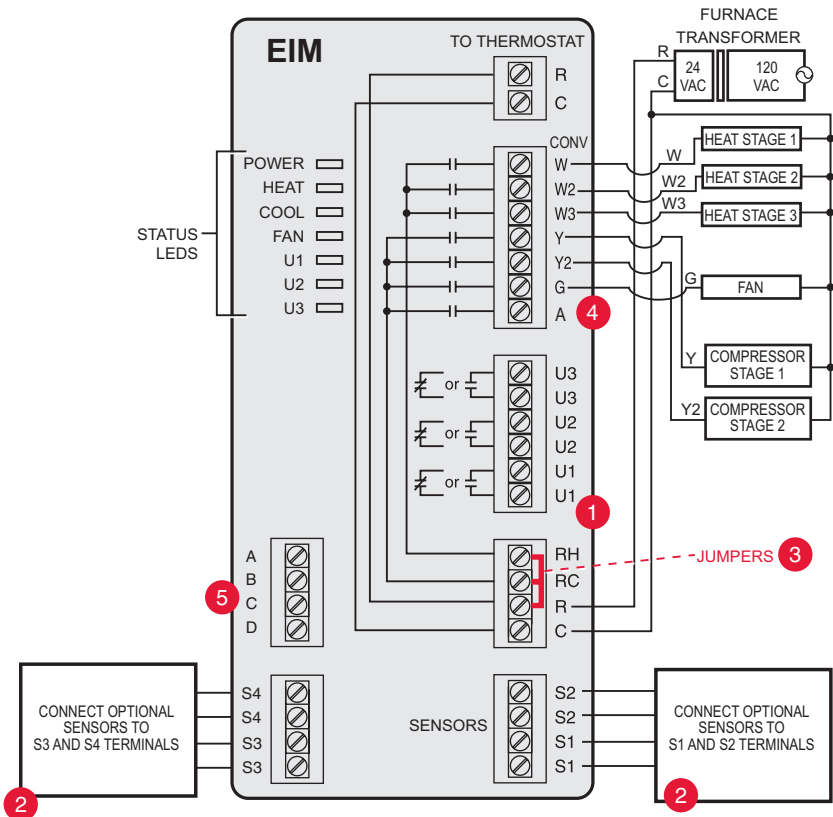


The thermostat now displays its Home screen and the **thermostat setup is complete.**



## EIM wiring guide — conventional systems

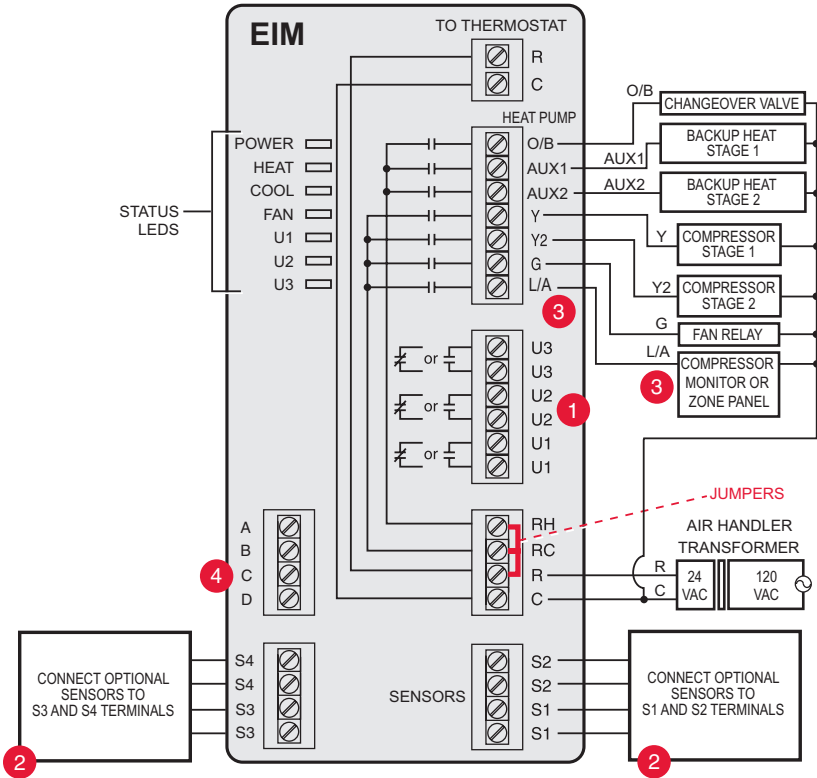
Typical wiring of a conventional system with up to 3-stage heat and 2-stage cool with one transformer.



- 1 See guides on following pages for thermostat wiring and geothermal radiant heat wiring.
  - 2 Wire a maximum of 4 sensors using the S1-S4 terminals. S1-S4 terminals can be connected to an indoor sensor, outdoor sensor, discharge sensor, return sensor, dry contact device to display an alert or an occupancy sensor for remote setback.
  - 3 Remove jumper(s) if using separate transformers.
  - 4 See Economizer wiring section.
  - 5 Connect wireless adapter to ABCD for extended wireless range.
- NOTE:** See following pages for additional thermostat wiring guidelines for heat pumps, geothermal systems and optional Economizer.

# EIM wiring guide — heat pump systems

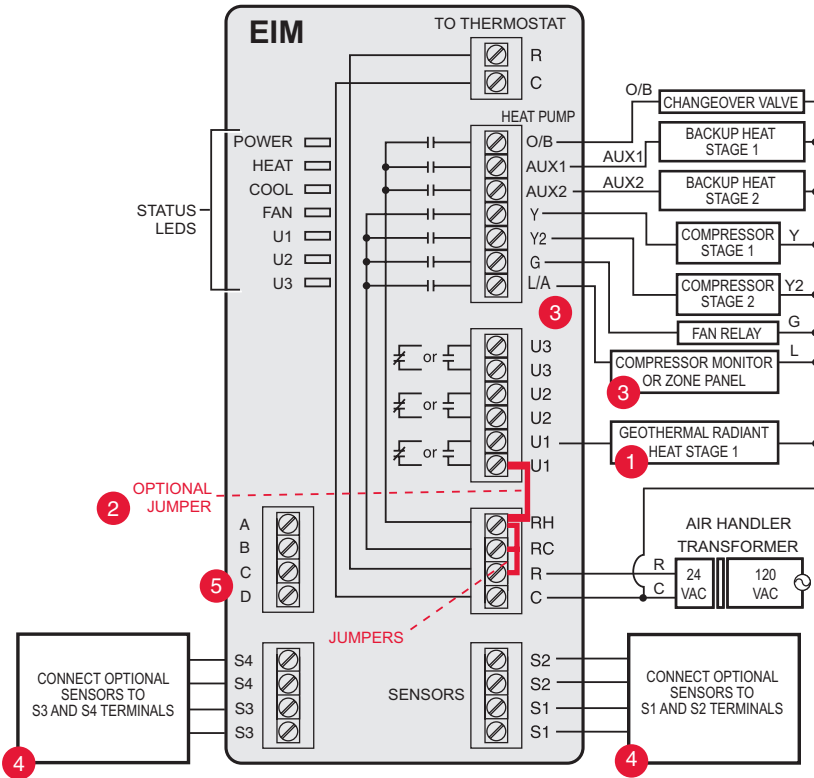
Typical wiring of a heat pump system with up to four-stage heat and two-stage cool with one transformer.



- 1 See guides on following pages for thermostat wiring and geothermal radiant heat wiring.
- 2 Wire a maximum of 2 sensors using the S1-S4 terminals. S1-S4 terminals can be connected to an indoor sensor, outdoor sensor, discharge sensor, return sensor, dry contact device to display an alert or an occupancy sensor for remote setback.
- 3 L/A terminal sends continuous output when thermostat is set to EM HEAT mode, except when set up for Economizer or TOD. See Economizer wiring section.
- 4 Connect wireless adapter to ABCD for extended wireless range.

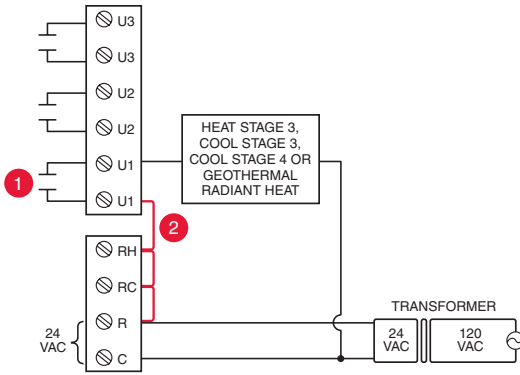
## EIM wiring guide — geothermal radiant heat

Typical wiring for geothermal radiant heat, geothermal forced-air, and backup heat with one transformer.



- 1 U1, U2 or U3 terminals must be used for geothermal radiant heat. Thermostat allows 2 stages of radiant heat—geothermal (stage 1) and boiler (stage 2).
- 2 “U” terminals are normally open dry contacts when set up for geothermal radiant heat. You must install a field jumper if radiant heat is powered by system transformer. Do NOT install a field jumper if radiant heat has its own transformer.
- 3 L/A terminal sends continuous output when thermostat is set to EM HEAT mode except when set up for Economizer or TOD. See Economizer wiring section.
- 4 Wire a maximum of 2 sensors using the S1-S4 terminals. S1-S4 terminals can be connected to an indoor sensor, outdoor sensor, discharge sensor, return sensor, dry contact device to display an alert or an occupancy sensor for remote setback.
- 5 Connect wireless adapter to ABCD for extended wireless range.

## Using universal relays to control heating or cooling



- 1 U1/U2/U3 terminals are normally open dry contacts when set up for a stage of heating or cooling.
- 2 You must install a field jumper if the stage of heating or cooling is powered by system transformer. Do NOT install a field jumper if the stage of heating has its own transformer.

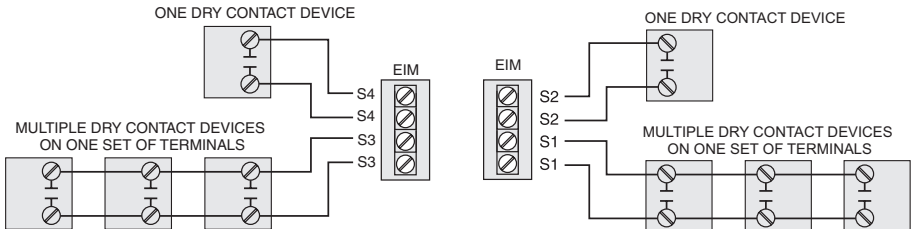
## Dry contact alerts

**⚠ EQUIPMENT DAMAGE HAZARD.** Do not apply power to S1–S4 terminals. Do not connect a temperature sensor to the S1–S4 terminals if set for a dry contact device.

**🔴 NOTE:** The dry contact device must be rated for low voltage.

If you are not using the S1–S4 terminals on the EIM, you can connect them to a dry contact device to display an alert. Dry contact alerts include Full Drain Pan, Dirty Filter, Water Leak, System Shutdown, Service Needed, Fan Failure and Custom Alert. Dry contact device can be normally open (shown in diagram) or normally closed.

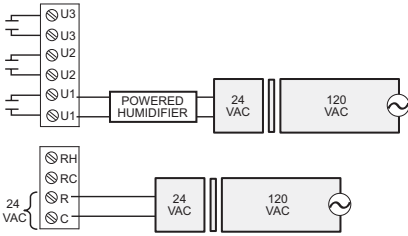
**🔴 NOTE:** You can connect multiple Dry Contact devices in parallel to the S1–S4 terminals.



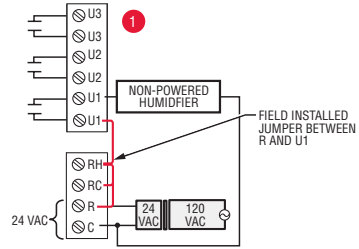
# Wiring humidification, dehumidification and ventilation

"U" terminals can be used for humidification, dehumidification or ventilation.

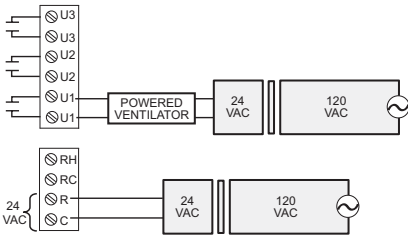
Typical hookup of powered humidifier



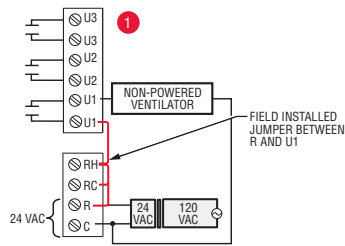
Typical hookup of non-powered humidifier



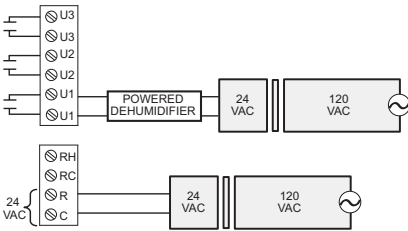
Typical hookup of powered ventilation



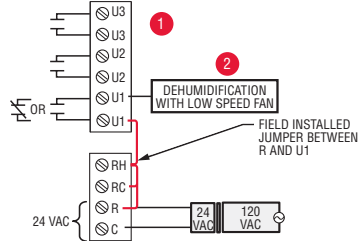
Typical hookup of non-powered ventilation



Typical hookup of powered dehumidifier (whole house dehumidifier)



Typical hookup of variable speed blower for dehumidification in low speed



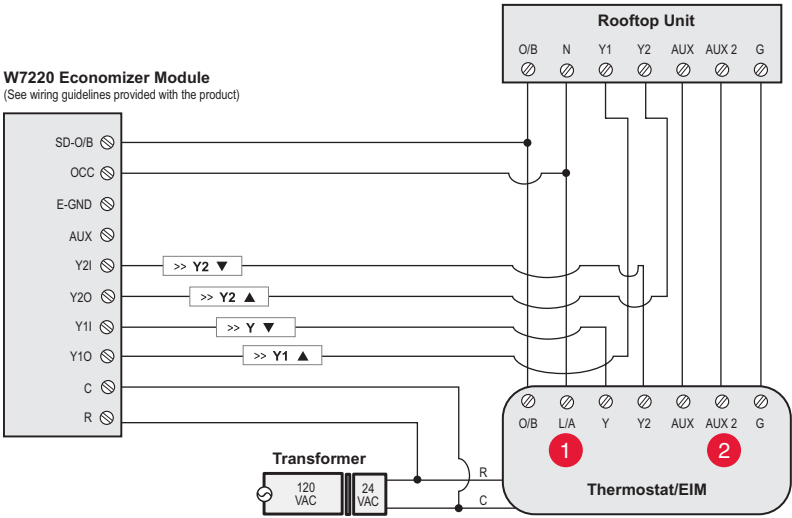
- 1 Any combination of universal relays (U1, U2, U3) can be used. They are set in the thermostat installer setup.
- 2 Wire the universal EIM relay to the low speed fan for dehumidification control at the equipment. The EIM relay can be set to be normally open or normally closed in the thermostat installer setup.

 Normally open, dry contacts

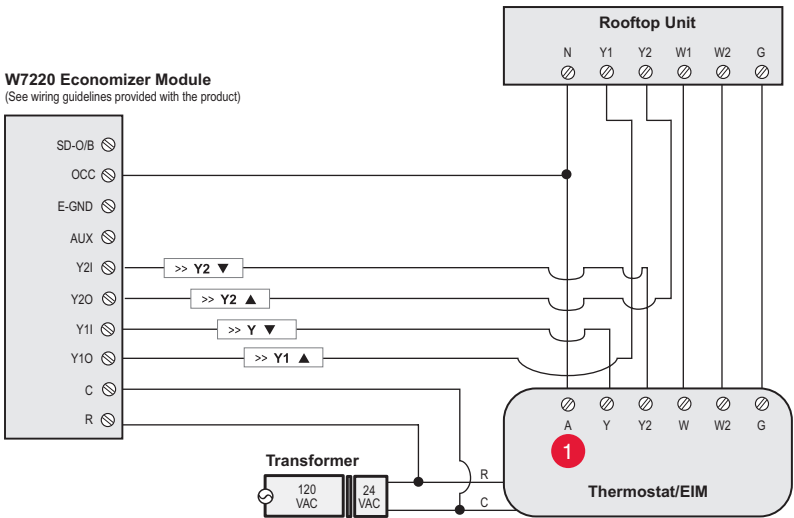
 Normally closed, dry contacts

# Economizer Module wiring guides

Typical wiring of a W7220 Economizer Module for a heat pump system, using a VisionPRO with RedLINK thermostat or Equipment Interface Module.



Typical wiring of a W7220 Economizer Module for a conventional system, using a VisionPRO with RedLINK thermostat or Equipment Interface Module.

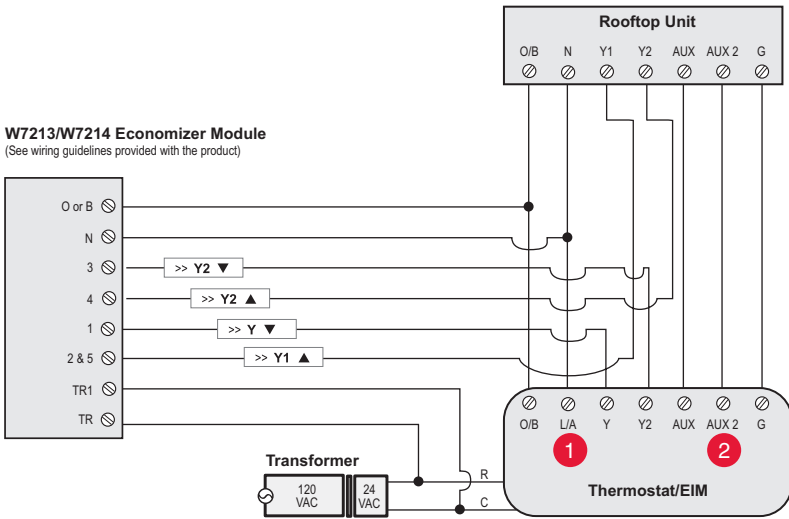


1 "A" or "L/A" terminal must be configured for Economizer in the installer setup. These terminals are powered by the cooling transformer (Rc terminal).

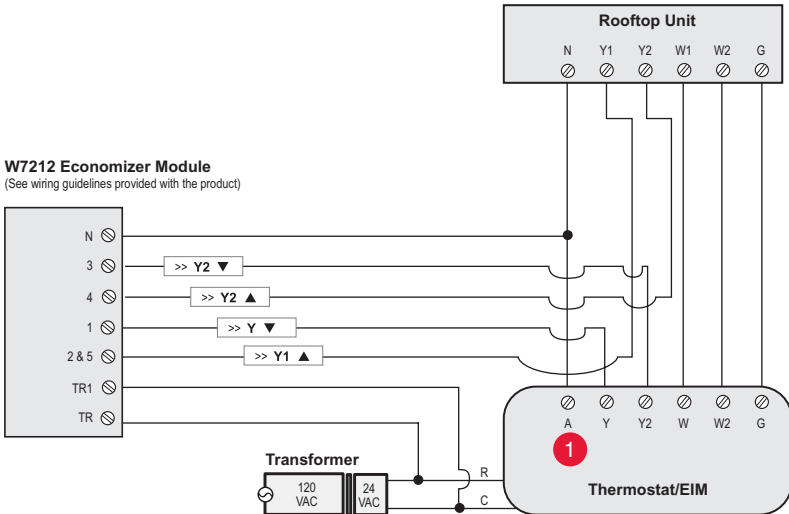
2 Terminal AUX 2 is present only on the Equipment Interface Module.

## Economizer Module wiring guides

Typical wiring of a W7213/W7214 Economizer Module for a heat pump system, using a VisionPRO with RedLINK thermostat or Equipment Interface Module.



Typical wiring of a W7212 Economizer Module for a conventional heating system, using a VisionPRO with RedLINK thermostat or Equipment Interface Module.



- 1 "A" or "L/A" terminal must be configured for Economizer in the installer setup. These terminals are powered by the cooling transformer (Rc terminal).
- 2 Terminal AUX 2 is present only on the Equipment Interface Module.

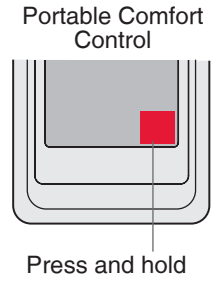


## To replace the Equipment Interface Module (EIM)

When you replace an EIM, you must reset the RedLINK accessories before connecting them to the new thermostat. Follow the instructions below:

### At the Portable Comfort Control:

Press and hold the blank space (or arrow) in the lower right hand corner of the screen until the display changes (hold for about 4 seconds). Press REMOVE, then YES to disconnect from the old thermostats. To reconnect the thermostat, go to Step 4.



### At the Indoor Sensor, RedLINK Internet Gateway, Entry/Exit Remote, Vent-Filter Boost Remote or TrueSTEAM Wireless Adapter:

Press and hold the CONNECT button on the accessory until the status light glows amber (hold for about 10 seconds). To reconnect the thermostat, go to Step 4.

### At the thermostat:

Go to **Installer Options, Wireless Device Manager, Remove Device, and Select This Thermostat**. Follow the prompts on the screen to connect the thermostat to the new EIM.

## Specifications and replacement parts

Control for up to 4 Heat/2 Cool heat pump systems or up to 3 Heat/2 Cool conventional systems for residential and commercial applications.

### Operating Ambient Temperature

Equipment Interface Module: -40 to 165° F (-40 to 74° C)

### Operating Relative Humidity

Equipment Interface Module: 5% to 95% (non-condensing)

### Physical Dimensions (height, width, depth)

Equipment Interface Module: 9-5/16 x 4-13/16 x 1-19/32 inches (91 x 147 x 42 mm)

## Electrical ratings

Terminal	Voltage (50/60 Hz)	Max. Current Rating
<b>W - OB</b>	18 to 30 VAC and 750 mVDC	1.00A
<b>Y</b> (cooling)	18 to 30 VAC	1.00A
<b>G</b> (fan)	18 to 30 VAC	0.50A
<b>W2 - Aux 1</b> (heating)	18 to 30 VAC	0.60A
<b>Y2</b> (cooling)	18 to 30 VAC	0.60A
<b>W3 - Aux 2</b>	18 to 30 VAC	1.00A
<b>A-L/A</b> (output)	18 to 30 VAC	1.00A
<b>U1, U1</b>	30 VAC max.	0.50A
<b>U2, U2</b>	30 VAC max.	0.50A
<b>U3, U3</b>	30 VAC max.	0.50A

## Accessories and replacement parts

Accessories / Replacement Parts	Part Number
Equipment Interface Module	THM5421R1021
RedLINK Internet Gateway	THM6000R1002
Wireless Entry/Exit Remote	REM1000R1003
Wireless Vent and Filter Boost Remote	HVC20A1000
Portable Comfort Control	REM5000R1001
Occupancy Sensor for Remote Setback	WSK-24
Wireless Outdoor Sensor	C7089R1013
Wireless Indoor Sensor	C7189R1004
Wireless Outdoor Sensor 10k ohm NTC	C7089U1006
Wired Wall-mount Indoor Sensor 10k ohm NTC	C7189U1005
Wired Flush-mount Indoor Sensor 20k ohm NTC	C7772A1004, C7772A1012
Wired Wall-mount Indoor Sensor 20k ohm NTC	TR21
Wired Wall-mount Indoor Sensor 10k ohm NTC	TR21-A
Supply or Return Air Sensor 10k ohm NTC	C7735A1000
Supply or Return Air Sensor 20k ohm NTC	C7041
Supply or Return Air Sensor 20k ohm NTC	C7770A1006
Cover Plate (covers marks left by old thermostats)	50028399-001
Wireless Adapter for TrueZone, TrueSteam, or extended wireless range	THM4000R1000

## Regulatory information

### FCC Compliance Statement (Part 15.19) (USA only):

This device complies with Part 15 of the FCC Rules. Operation is subject to the following two conditions:

- 1 This device may not cause harmful interference, and
- 2 This device must accept any interference received, including interference that may cause undesired operation.

### FCC Warning (Part 15.21) (USA only):

Changes or modifications not expressly approved by the party responsible for compliance could void the user's authority to operate the equipment.

### FCC Interference Statement (Part 15.105 (b)) (USA only):

This equipment has been tested and found to comply with the limits for a Class B digital device, pursuant to Part 15 of the FCC Rules. These limits are designed to provide reasonable protection against harmful interference in a residential installation. This equipment generates uses and can radiate radio frequency energy and, if not installed and used in accordance with the instructions, may cause harmful interference to radio communications. However, there is no guarantee that interference will not occur in a particular installation. If this equipment does cause harmful interference to radio or television reception, which can be determined by turning the equipment off and on, the user is encouraged to try to correct the interference by one of the following measures:

- Reorient or relocate the receiving antenna.
- Increase the separation between the equipment and receiver.
- Connect the equipment into an outlet on a circuit different from that to which the receiver is connected.
- Consult the dealer or an experienced radio/TV technician for help.

**Equipment interface module, thermostats and outdoor sensor:**

To comply with FCC and Industry Canada RF exposure limits for general population/uncontrolled exposure, the antenna(s) used for these transmitters must be installed to provide a separation distance of at least 20 cm from all persons and must not be co-located or operating in conjunction with any other antenna or transmitter.

**Portable Comfort Control:**

This portable transmitter with its antenna complies with FCC and Industry Canada RF exposure limits for general population/uncontrolled exposure. This device must not be co-located or operating in conjunction with any other antenna or transmitter.

**Section 7.1.2 of RSS-GEN:**


Under Industry Canada regulations, this radio transmitter may only operate using an antenna of type and maximum (or lesser) gain approved for the transmitter by Industry Canada. To reduce potential radio interference to other users, the antenna type and its gain should be so chosen that the equivalent isotropically radiated power (e.i.r.p.) is not more than that necessary for successful communication.

**Section 7.1.3 of RSS-GEN:**

Operation is subject to the following two conditions:

- 1 This device may not cause interference, and
- 2 This device must accept any interference, including interference that may cause undesired operation of the device.

 **DISCONNECT POWER BEFORE INSTALLATION.** Can cause electrical shock or equipment damage.

 **Must be installed by a trained, experienced technician.** Read these instructions carefully. Failure to follow these instructions can damage the product or cause a hazardous condition.

### Need Help?

For assistance please visit <http://customer.honeywell.com>, or call toll-free:  
**1-800-468-1502** (residential installation) • **1-888-245-1051** (commercial installation)

### Automation and Control Systems

Honeywell International Inc.

1985 Douglas Drive North

Golden Valley, MN 55422

<http://customer.honeywell.com>

# Honeywell

© U.S. Registered Trademark.  
© 2012 Honeywell International Inc.  
69-2758EFS—01 M.S. 11-12  
Printed in U.S.A.



69-2758EFS-01

## Module d'interface d'équipement Guide d'installation



Le module d'interface d'équipement fonctionne avec les dispositifs suivants :

- Prestige IAQ
- VisionPRO 8000 avec RedLINK®

RedLINK vers module d'interface d'équipement



2 fils pour l'alimentation

OU

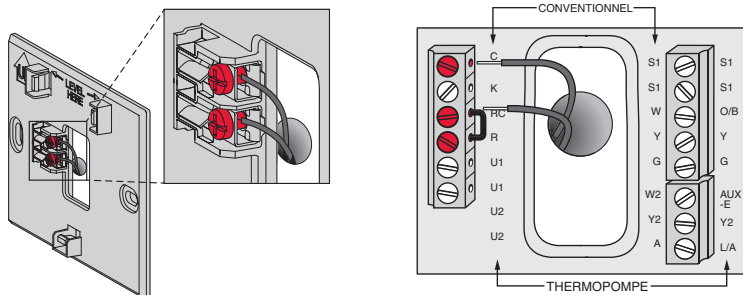
RedLINK vers module d'interface d'équipement



2 fils pour l'alimentation  
ou piles uniquement (sans fil)



# 1 Installation du thermostat

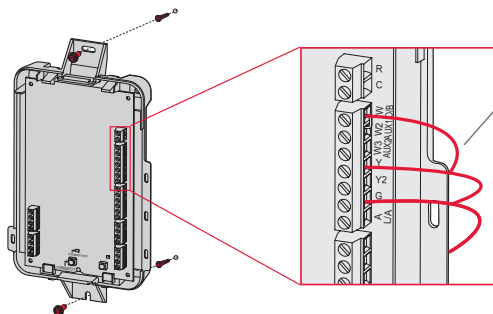


**Prestige/VisionPRO avec RedLINK :** Montez le thermostat et reliez-le aux bornes C et R du module d'interface d'équipement (MIE) ou à un transformateur de 24 V séparé (non fourni).

**REMARQUE :** Lorsque le thermostat VisionPRO avec RedLINK est utilisé avec le module d'interface d'équipement, les relais du thermostat ne fonctionnent pas.

# 2 Installation du module d'interface d'équipement

Utilisez des vis et des ancrs selon le besoin pour la surface de montage. Montez le MIE près de l'équipement de CVCA ou sur l'équipement même.

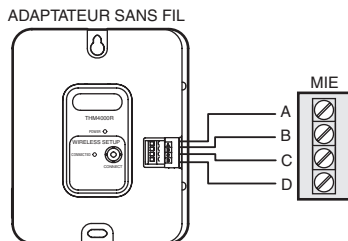


**REMARQUE :** Si plus d'un thermostat et MIE sont installés, les MIE doivent être installés à au moins 2 pieds l'un de l'autre.

**REMARQUE :** Si des capteurs d'air de retour ou de soufflage sont installés, consultez les instructions de montage dans la notice d'installation pour les alertes et le diagnostic Delta T emballée avec le nécessaire Prestige IAQ.

Si un module d'interface d'équipement est monté dans une armoire en métal, il est recommandé d'utiliser un adaptateur sans fil THM4000R1000 pour plage sans fil étendue.

Montez l'adaptateur sans fil hors de l'armoire en métal et branchez-le aux bornes ABCD sur le module d'interface d'équipement.



## 3 Mise sous tension des accessoires RedLINK en option

### 3.1 Installation des piles dans les accessoires RedLINK.

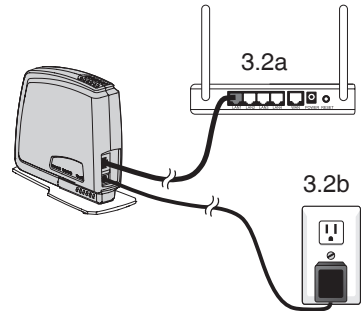
- Régulateur de confort portatif
- Capteur extérieur sans fil\*
- Capteur intérieur sans fil\*
- Dispositif à distance sans fil de point d'entrée/sortie\*
- Dispositif à distance de surventilation et de surfiltration sans fil\*

\* Requiert un réglage. Voir les options de configuration de l'installateur à l'étape 4.5.

### 3.2 Connexion de la passerelle à Internet et à l'alimentation.

3.2a Branchez la passerelle Internet RedLINK à un routeur ou un modem muni d'un câble Ethernet (RJ45).

3.2b Branchez le cordon d'alimentation de la passerelle à une prise électrique non contrôlée par un interrupteur mural.

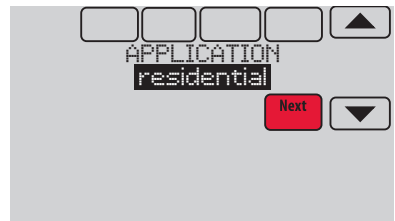


## 4 Réglage initial

Les options de réglage initial définissent le type de système que vous installez :

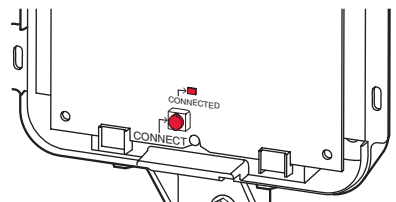
- Résidentiel ou commercial
- Avec ou sans zonage


### 4.1 Suivez les invites sur l'écran pour sélectionner les options appropriées.



### 4.2 Connectez le thermostat au module d'interface d'équipement.

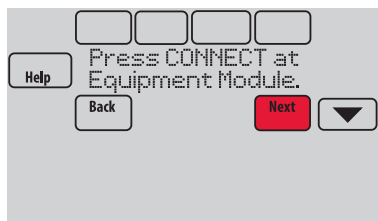
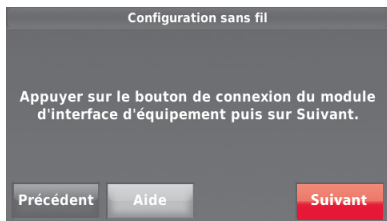
4.2a **Appuyez et relâchez rapidement** le bouton CONNECT (CONNEXION) sur le MIE. Assurez-vous que le voyant « Connected » (Connecté) clignote en vert.



 **REMARQUE :** Si le voyant « Connected » (Connecté) NE clignote PAS en vert, un autre système est peut-être en mode d'écoute. Veuillez quitter le mode d'écoute sur l'autre système et essayer une nouvelle fois.

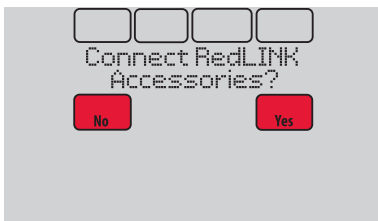
- Le voyant clignote en vert : En mode d'écoute - Le système est prêt à ajouter des dispositifs RedLINK.
- Le voyant en vert en continu : Les dispositifs RedLINK communiquent.
- Le voyant en rouge : Le ou les dispositifs RedLINK NE communiquent PAS. Vérifiez le MIE et les dispositifs RedLINK.

4.2b Pendant que le voyant « Connected » (Connecté) clignote en vert sur le MIE, appuyez sur **Next** (Suivant) sur le thermostat. Après un court délai, l'écran indique que le dispositif est connecté.




**4.3 Lorsque vous voyez l'invite Do you have RedLINK accessories to connect? (Avez-vous des accessoires RedLINK à connecter?), touchez Yes (Oui) ou No (Non).**

- Si vous sélectionnez **Yes** (Oui), vous serez invité à Press Connect (Appuyer sur connecter) sur tous les nouveaux accessoires. Passez à l'étape 4.4.
- Si vous sélectionnez **No** (Non), passez à l'étape 4.5.



**4.4 Connectez chaque accessoire RedLINK.**

 **REMARQUE :** Assurez-vous que les accessoires sont à au moins 0,6 m (2 pi) du MIE durant le processus de connexion.

4.4a Lorsque le message Press Connect (Appuyer sur Connect) est affiché (mode d'écoute), **appuyez et relâchez rapidement** le bouton CONNECT (CONNECTER) sur chaque nouvel accessoire RedLINK.

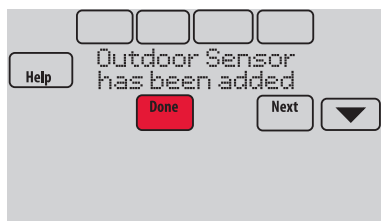




4.4b Après un bref délai (20 secondes max.), vérifiez le thermostat pour confirmer la connexion de chaque accessoire RedLINK.

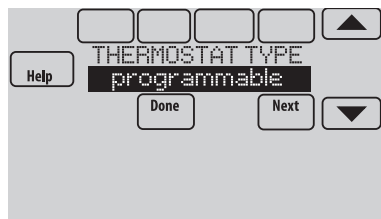
4.4c Touchez **Done** (Terminer) sur le thermostat après que tous les nouveaux accessoires RedLINK sont connectés.

**REMARQUE :** Le thermostat affiche un compteur à rebours alors qu'il est en mode d'écoute. S'il ne détecte pas d'activité pendant 15 minutes, il quitte le mode d'écoute.

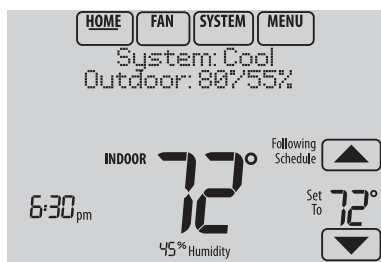


#### 4.5 Terminez le réglage initial.

Terminez le réglage en sélectionnant les options désirées. Appuyez sur **Done** (Terminé) après avoir sélectionné la dernière option à modifier.

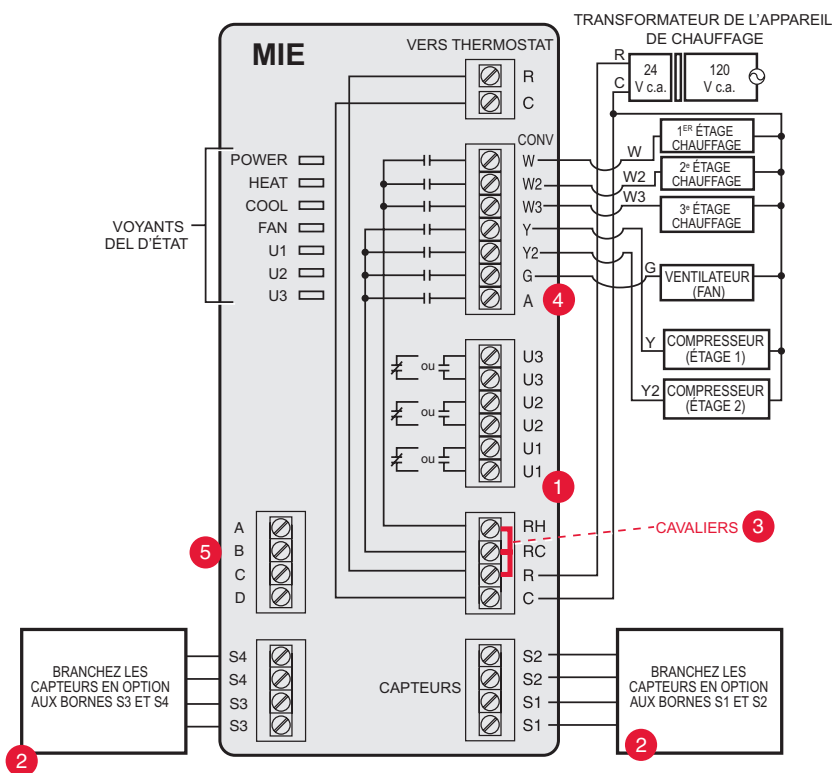


Le thermostat affiche maintenant son écran d'accueil et la **thermostat setup is complete** (configuration du thermostat est terminée).



## Guide de câblage du MIE — systèmes conventionnels

Raccordement typique d'un système conventionnel avec jusqu'à trois étages de chaleur et deux étages de refroidissement avec un seul transformateur.

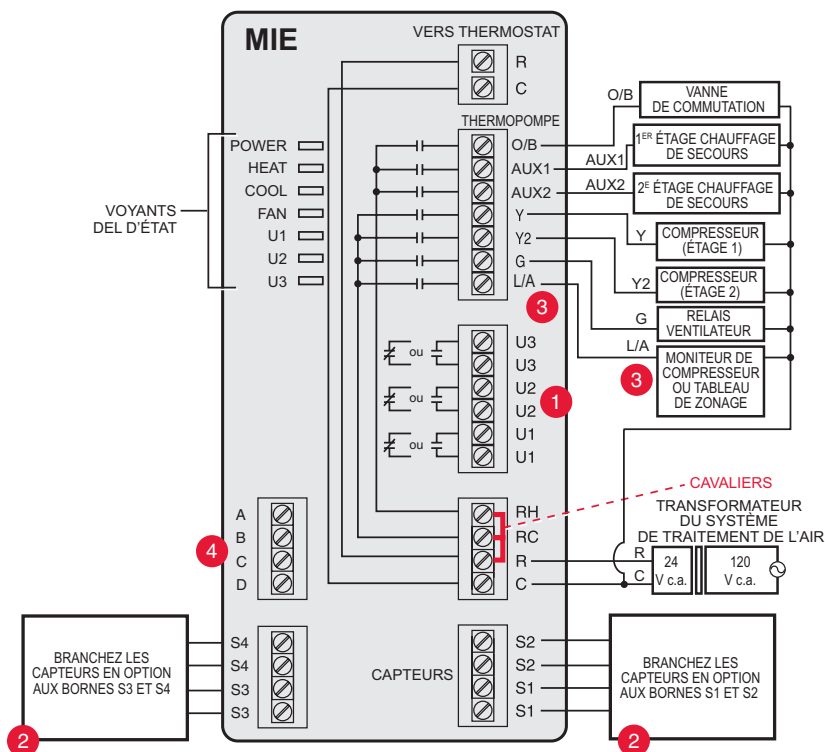


- 1 Voir les guides aux pages suivantes pour le câblage du thermostat et du chauffage rayonnant géothermique.
- 2 Câblez un maximum de 4 capteurs avec les bornes S1-S4. Les bornes S1-S4 peuvent être connectées à un capteur d'intérieur, un capteur d'extérieur, un capteur d'évacuation, un capteur de retour, un dispositif à contact sec pour afficher une alerte ou à un capteur de présence pour le décalage à distance.
- 3 Retirer le ou les cavaliers si des transformateurs séparés sont utilisés.
- 4 Voir la section Câblage de l'économiseur.
- 5 Branchez l'adaptateur sans fil aux bornes ABCD pour accroître la portée du signal.

**REMARQUE :** Voir les pages suivantes pour les instructions de câblage supplémentaires du thermostat pour les thermopompes, les systèmes géothermiques et l'économiseur en option.

## Guide de câblage du MIE — systèmes à thermopompe

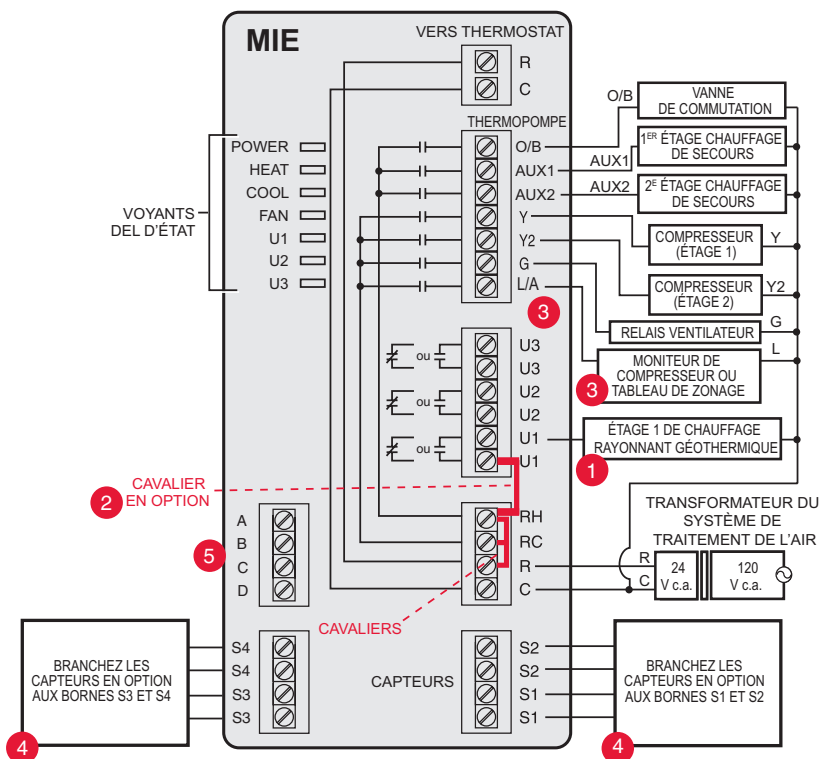
Raccordement typique d'un système à thermopompe avec jusqu'à quatre étages de chaleur et deux étages de refroidissement avec un seul transformateur.



- 1 Consultez les guides aux pages suivantes pour le câblage du thermostat et du chauffage rayonnant géothermique.
- 2 Câblez un maximum de 2 capteurs avec les bornes S1-S4. Les bornes S1-S4 peuvent être connectées à un capteur d'intérieur, un capteur d'extérieur, un capteur d'évacuation, un capteur de retour, un dispositif à contact sec pour afficher une alerte ou à un capteur de présence pour le décalage à distance.
- 3 La borne L/A envoie un signal de sortie continu lorsque le thermostat est réglé sur le mode de chauffage d'urgence, sauf lorsqu'il est configuré pour un économiseur ou TOD. Voir la section Câblage de l'économiseur.
- 4 Branchez l'adaptateur sans fil aux bornes ABCD pour accroître la portée du signal.

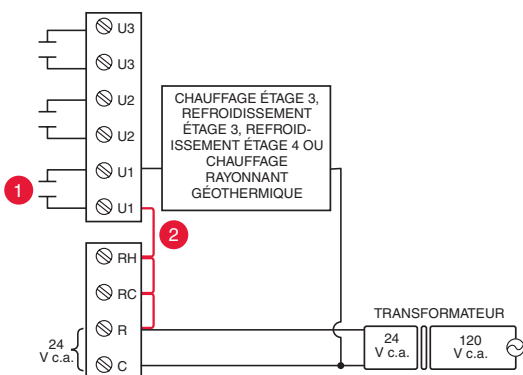
## Guide de câblage du MIE — chauffage rayonnant géothermique

Câblage typique pour chauffage rayonnant géothermique, air pulsé géothermique et chauffage de secours avec un transformateur.



- 1 Les bornes U1, U2 ou U3 doivent être utilisées pour le chauffage rayonnant géothermique. Le thermostat permet 2 étages de chauffage rayonnant – géothermique (étage 1) et chaudière (étage 2).
- 2 Les bornes «U» sont des contacts secs normalement ouverts lorsque le système est configuré pour un chauffage rayonnant géothermique. Un cavalier doit être installé si le chauffage rayonnant est alimenté par le transformateur du système. N'installez PAS un cavalier si le chauffage rayonnant a son propre transformateur.
- 3 La borne L/A envoie un signal de sortie continu lorsque le thermostat est réglé sur le mode de chauffage d'urgence, sauf lorsqu'il est configuré pour un économiseur ou TOD. Voir la section Câblage de l'économiseur.
- 4 Câblez un maximum de 2 capteurs avec les bornes S1-S4. Les bornes S1-S4 peuvent être connectées à un capteur d'intérieur, un capteur d'extérieur, un capteur d'évacuation, un capteur de retour, un dispositif à contact sec pour afficher une alerte ou à un capteur de présence pour le décalage à distance.
- 5 Branchez l'adaptateur sans fil aux bornes ABCD pour accroître la portée du signal.

## Utilisation des relais universels pour contrôler le chauffage et le refroidissement



- 1 Les bornes U1/U2/U3 sont des contacts secs normalement ouverts lorsque le système est configuré pour un étage de chauffage ou de refroidissement.
- 2 Un cavalier doit être installé si l'étage de chauffage ou de refroidissement est alimenté par le transformateur du système. N'installez PAS de cavalier si l'étage de chauffage a son propre transformateur.

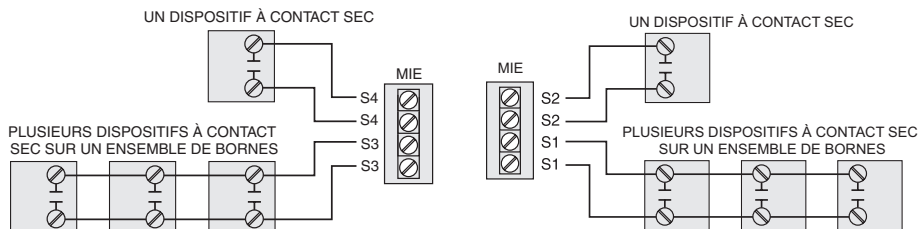
### Alertes à contact sec

**⚠ RISQUE DE DOMMAGES DE L'ÉQUIPEMENT.** Ne mettez pas les bornes S1-S4 sous tension. Ne connectez pas de capteur de température aux bornes S1-S4 si réglé pour un dispositif à contact sec.

**🔴 REMARQUE :** Le dispositif à contact sec doit être homologué pour basse tension.

Si les bornes S1-S4 ne sont pas utilisées sur le module d'interface d'équipement, il est possible de les connecter à un dispositif à contact sec pour afficher une alerte. Les alertes à contact sec incluent bac de vidange plein, filtre sale, fuite d'eau, arrêt du système, entretien requis, panne de ventilateur et alerte personnalisée. Les dispositifs à contact sec peuvent être normalement ouvert (voir le schéma) ou normalement fermé.

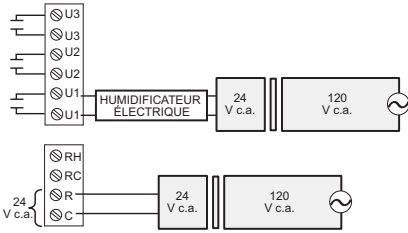
**🔴 REMARQUE :** Il est possible de connecter plusieurs dispositifs à contact sec en parallèle sur les bornes S1-S4.



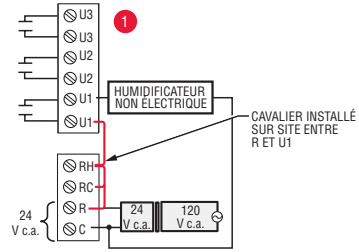
# Câblage pour l'humidification, la déshumidification et la ventilation

Les bornes « U » sont utilisées pour l'humidification, la déshumidification ou la ventilation.

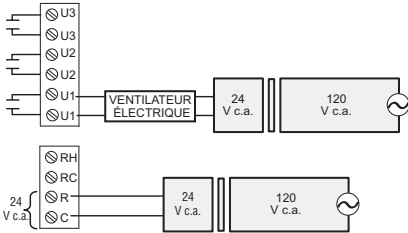
## Raccordement typique d'un humidificateur électrique



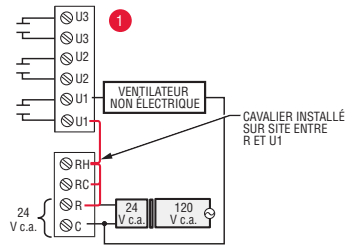
## Raccordement typique d'un humidificateur non électrique



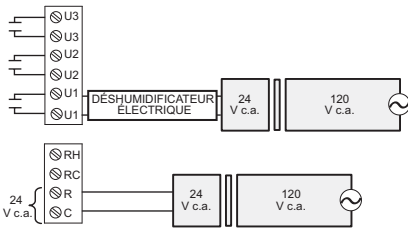
## Raccordement typique d'un ventilateur électrique



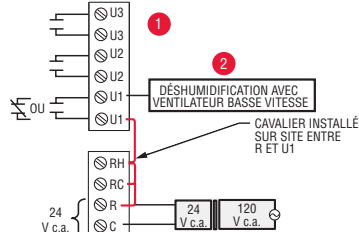
## Raccordement typique d'un ventilateur non électrique



## Raccordement typique d'un humidificateur électrique (déshumidificateur pour toute la maison)



## Raccordement typique d'une soufflante à vitesse variable pour une déshumidification à faible vitesse

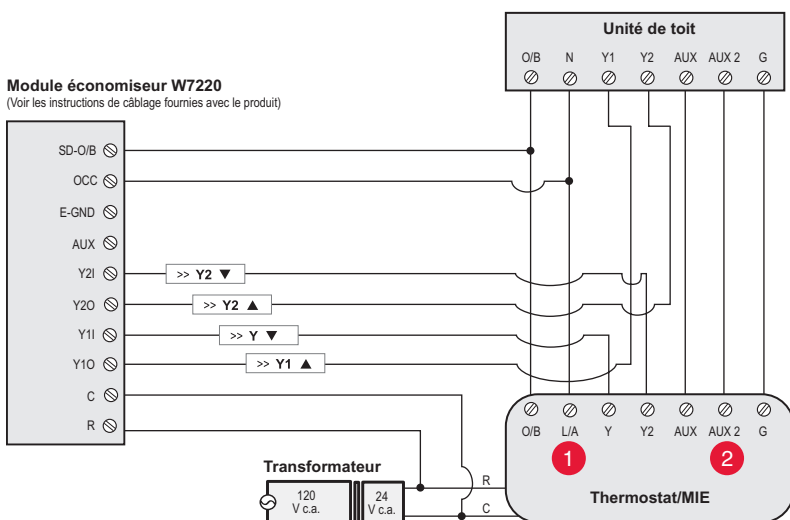


- 1 Toute combinaison des relais universels (U1, U2, U3) peut être utilisée. Ils sont définis dans la configuration de l'installateur du thermostat.
- 2 Câblez le relais du MIE universel sur la vitesse de ventilateur basse pour la commande de déshumidification sur l'équipement. Le relais du MIE peut être réglé sur normalement ouvert ou normalement fermé dans la configuration de l'installateur du thermostat.

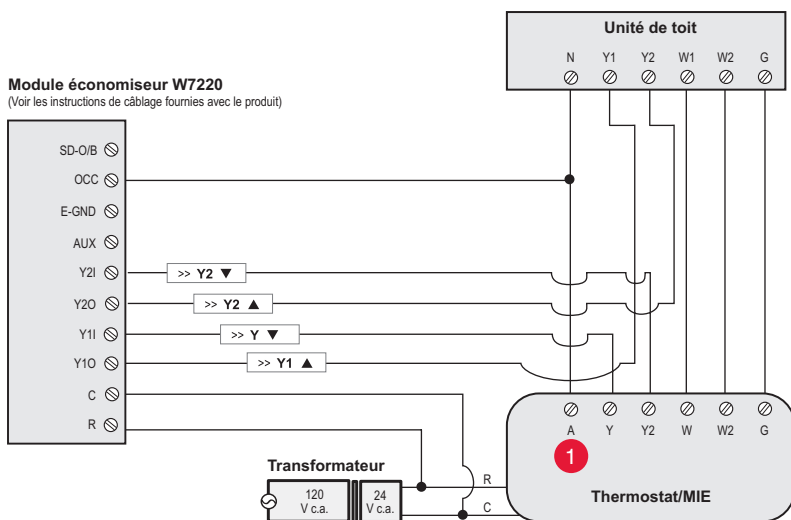
- Contacts secs normalement ouverts
- Contacts secs normalement fermés

## Guides de câblage du module de l'économiseur

Câblage typique d'un module économiseur W7220 pour un système à thermopompe, avec thermostat VisionPRO avec RedLINK ou un module d'interface d'équipement.



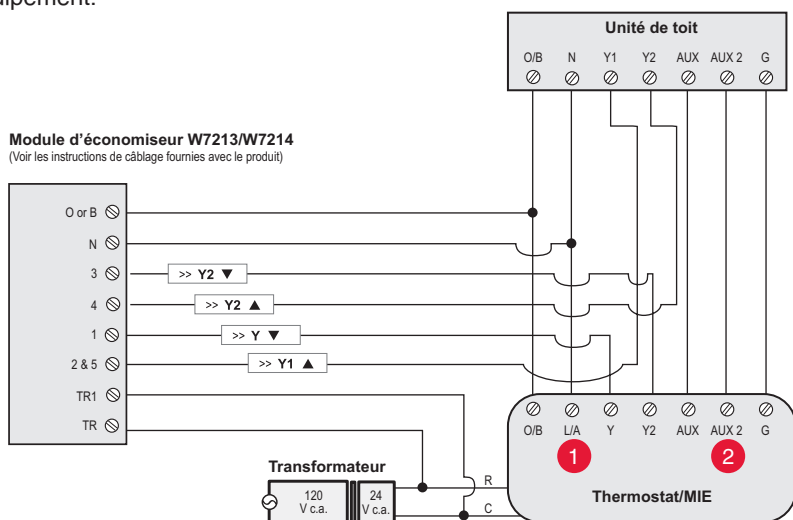
Câblage typique d'un module économiseur W7220 pour un système conventionnel, avec thermostat VisionPRO avec RedLINK ou un module d'interface d'équipement.



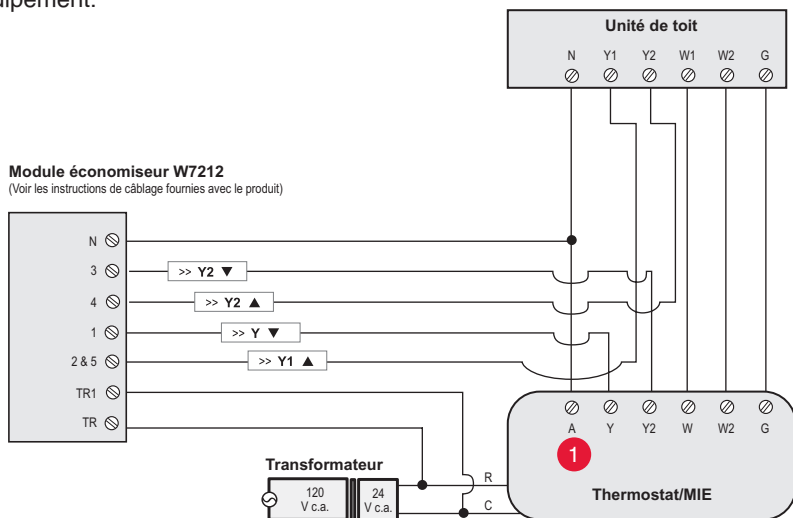
- 1 La borne « A » ou « L/A » doit être configurée pour l'économiseur dans la configuration de l'installateur. Ces bornes sont alimentées par le transformateur de refroidissement (borne Rc).
- 2 La borne AUX 2 est uniquement présente sur le module d'interface d'équipement.

## Guides de câblage du module de l'économiseur

Câblage typique d'un module économiseur W7213/W7214 pour un système à thermopompe, avec thermostat VisionPRO avec RedLINK ou un module d'interface d'équipement.



Câblage typique d'un module économiseur W7212 pour un système de chauffage conventionnel, avec thermostat VisionPRO avec RedLINK ou un module d'interface d'équipement.



- ❶ La borne « A » ou « L/A » doit être configurée pour l'économiseur dans la configuration de l'installateur. Ces bornes sont alimentées par le transformateur de refroidissement (borne Rc).
- ❷ La borne AUX 2 est uniquement présente sur le module d'interface d'équipement.

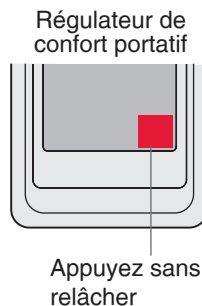


## Pour remplacer le module d'interface d'équipement (MIE)

Lorsque vous remplacez un MIE, vous devez réinitialiser les accessoires RedLINK avant de les connecter au nouveau thermostat. Suivez les instructions ci-dessous :

### Sur le régulateur de confort portatif :

Appuyez sur l'espace vierge (ou la flèche) dans le coin inférieur droit de l'écran jusqu'à ce que l'affichage change (environ 4 secondes). Appuyez sur REMOVE (RETIRER) puis sur YES (OUI) pour débrancher de l'ancien thermostat. Pour reconnecter le thermostat, passez à l'étape 4.



### Sur le capteur intérieur, la passerelle Internet RedLINK, le dispositif à distance de point d'entrée/sortie, la commande à distance de surventilation-surfiltration ou l'adaptateur sans fil TrueSTEAM :

Appuyez sur le bouton CONNECT (CONNEXION) de l'accessoire jusqu'à ce que le voyant de statut orange s'allume (environ 10 secondes). Pour reconnecter le thermostat, passez à l'étape 4.

### Sur le thermostat :

Allez dans **Installer Options, Wireless Device Manager, Remove Device**, et **Select This Thermostat** (Options de l'installateur, Gestionnaire de dispositifs sans fil, Retrait du dispositif et Sélectionner ce thermostat). Suivez les invites à l'écran pour connecter le thermostat au nouveau MIE.

## Caractéristiques techniques et pièces de rechange

Régulateurs pour systèmes à pompe jusqu'à 4 étages de chaleur/2 étages de refroidissement ou systèmes conventionnels jusqu'à 3 étages de chaleur/2 étages de refroidissement pour applications résidentielles et commerciales.

### Température ambiante de service

Module d'interface d'équipement : -40 à 74 °C (-40 à 165 °F)

### Humidité relative de service

Module d'interface d'équipement : 5 % à 95 % (sans condensation)

### Dimensions physiques (hauteur, largeur, profondeur)

Module d'interface d'équipement : 91 x 147 x 42 mm (9 5/16 x 4 13/16 x 1 19/32 po)

## Caractéristiques électriques

Borne	Tension (50/60 Hz)	Courant nominal max.
<b>W - OB</b>	18 à 30 V c.a. et 750 mV c.c.	1,00 A
<b>Y</b> (refroidissement)	18 à 30 V c.a.	1,00 A
<b>G</b> (ventilateur)	18 à 30 V c.a.	0,50 A
<b>W2 - Aux 1</b> (chauffage)	18 à 30 V c.a.	0,60 A
<b>Y2</b> (refroidissement)	18 à 30 V c.a.	0,60 A
<b>W3 - Aux 2</b>	18 à 30 V c.a.	1,00 A
<b>A-L/A</b> (sortie)	18 à 30 V c.a.	1,00 A
<b>U1, U1</b>	30 V c.a. max.	0,50 A
<b>U2, U2</b>	30 V c.a. max.	0,50 A
<b>U3, U3</b>	30 V c.a. max.	0,50 A

## Accessoires et pièces de rechange

Accessoires / Pièces de rechange	Référence de pièce
Module d'interface d'équipement	THM5421R1021
Passerelle Internet RedLINK	THM6000R1002
Dispositif à distance sans fil de point d'entrée/sortie	REM1000R1003
Dispositif à distance de surventilation et de surfiltration sans fil	HVC20A1000
Régulateur de confort portatif	REM5000R1001
Capteur de présence pour décalage à distance	WSK-24
Capteur d'extérieur sans fil	C7089R1013
Capteur d'intérieur sans fil	C7189R1004
Capteur extérieur sans fil 10 k ohms à coefficient de température négatif	C7089U1006
Capteur intérieur à montage mural à fil de 10 k ohms à coefficient de température négatif	C7189U1005
Capteur intérieur à montage encastré à fil de 20 k ohms à coefficient de température négatif	C7772A1004, C7772A1012
Capteur intérieur à montage mural à fil de 20 k ohms à coefficient de température négatif	TR21
Capteur intérieur à montage mural à fil de 10 k ohms à coefficient de température négatif	TR21-A
Capteur d'air de retour ou d'alimentation de 10 k ohms à coefficient de température négatif	C7735A1000
Capteur d'air de retour ou d'alimentation de 20 k ohms à coefficient de température négatif	C7041
Capteur d'air de retour ou d'alimentation de 20 k ohms à coefficient de température négatif	C7770A1006
Plaque de couvercle (Sert à dissimuler les marques laissées par d'anciens thermostats)	50028399-001
Adaptateur sans fil pour TrueZone, TrueSteam, ou plage sans fil étendue	THM4000R1000

## Informations réglementaires

### **Déclaration de conformité à la FCC (Partie 15.19) (États-Unis uniquement) :**

Cet appareil est conforme à la partie 15 du règlement de la FCC. Son fonctionnement est soumis aux deux conditions suivantes :

- 1 Ce dispositif ne doit pas causer d'interférences nuisibles, et
- 2 Ce dispositif doit accepter toutes les interférences reçues, y compris celles pouvant causer un fonctionnement non souhaité.

### **Avertissement de la FCC (Partie 15.21) (États-Unis uniquement) :**

Toute modification qui n'est pas autorisée expressément par la partie responsable de la conformité de l'appareil peut rendre l'utilisateur inapte à faire fonctionner l'équipement.

### **Déclaration relative aux interférences de la FCC (Partie 15.105 (b)) (États-Unis uniquement) :**

Cet équipement a été testé et est conforme aux limites des dispositifs numériques de Classe B, conformément à la Partie 15 du règlement de la FCC. Ces limites sont conçues pour fournir une protection raisonnable contre les interférences nuisibles dans une installation résidentielle. Cet équipement génère, utilise et peut émettre de l'énergie de radiofréquence, et s'il n'est pas installé et utilisé conformément aux instructions, peut causer des interférences nuisibles aux communications radio. Il n'y a toutefois aucune garantie qu'une interférence ne se produira pas dans une installation particulière. Si cet équipement cause des interférences nuisibles à la réception radio et télévision, ce qui peut être déterminé en éteignant le dispositif et en le remettant en marche, il est recommandé à l'utilisateur de tenter de corriger l'interférence par l'une des mesures suivantes :

- Réorienter ou déplacer l'antenne réceptrice.
- Augmenter la séparation entre l'équipement et le récepteur.
- Branchez l'équipement dans la prise d'un circuit différent de celui auquel le récepteur est connecté.
- Consulter le distributeur ou un technicien radio/TV compétent pour obtenir de l'aide.

### **Module d'interface d'équipement, thermostats et capteur extérieur :**

Pour être conformes aux limites d'exposition aux radiofréquences établies par FCC et Industrie Canada pour le grand public/l'exposition non contrôlée, la ou les antennes utilisées pour ces transmetteurs doivent être installées à au moins 20 cm de toutes les personnes et ne peuvent être situées au même endroit qu'une autre antenne ou fonctionner conjointement avec une autre antenne ou un autre transmetteur.

### **Régulateur de confort portable :**

Ce transmetteur portable et son antenne sont conformes aux limites d'exposition RF de la FCC et d'Industrie Canada pour la population générale/l'exposition non contrôlée. Cet appareil ne doit pas être situé ou fonctionner avec une autre antenne ou un autre transmetteur.

### **Section 7.1.2 de RSS-GEN :**

Conformément aux normes d'Industrie Canada, ce transmetteur radio ne peut fonctionner qu'avec une antenne dont le type et le gain maximum sont approuvés par Industrie Canada. Pour réduire les risques d'interférences radio encourus par d'autres utilisateurs, le type et le gain de l'antenne doivent être choisis de façon à ce que la puissance rayonnée isotrope équivalente (p.i.r.e.) ne soit pas supérieure à celle nécessaire à l'établissement d'une bonne communication.

### **Section 7.1.3 de RSS-GEN :**

Son fonctionnement est soumis aux deux conditions suivantes :

- 1 Ce dispositif ne doit pas causer d'interférences, et
- 2 Ce dispositif doit accepter toutes les interférences, y compris celles pouvant causer un fonctionnement non souhaité.

 **COUPEZ L'ALIMENTATION ÉLECTRIQUE AVANT DE COMMENCER L'INSTALLATION.** Peut provoquer des chocs électriques ou endommager le matériel.

 **L'installation doit être faite par un technicien d'expérience ayant reçu la formation appropriée.** Lisez attentivement ces instructions. Le fait de ne pas les suivre risque d'endommager le produit ou de constituer un danger.

### Besoin d'aide?

Pour obtenir de l'aide, merci de visiter

<http://customer.honeywell.com>, ou d'appeler le numéro gratuit :

**1-800-468-1502** (installation résidentielle) • **1-888-245-1051** (installation commerciale)

### Systemes d'automatisation et de régulation

Honeywell International Inc.

1985 Douglas Drive North

Golden Valley, MN 55422

<http://customer.honeywell.com>

**Honeywell**



## Módulo de interfaz del equipo

### Guía de instalación



El módulo de interfaz del equipo funciona con:

- Prestige IAQ
- VisionPRO 8000 con RedLINK®

RedLINK a Módulo de interfaz del equipo



2 cables de alimentación



O

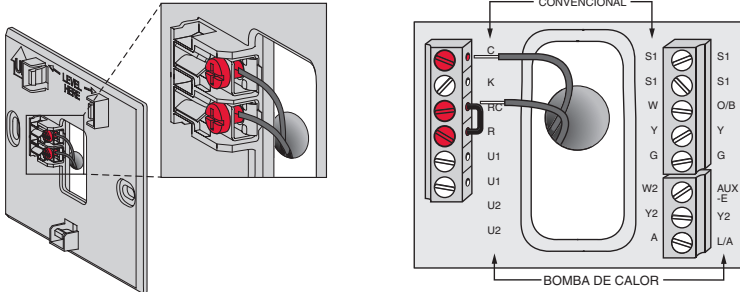
RedLINK a Módulo de interfaz del equipo



2 cables de alimentación  
o batería únicamente (sin cables)



# 1 Instale el termostato

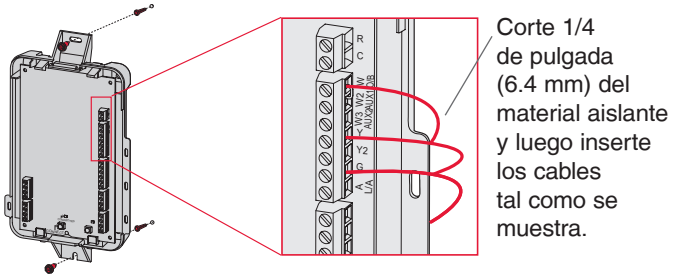


**Prestige/VisionPRO con RedLINK:** Monte el termostato y conéctelo a los terminales C y R del módulo de interfaz del equipo (EIM) o a un transformador separado de 24 voltios (no se suministra).

**NOTA:** Cuando el termostato VisionPRO con RedLINK se utiliza con el EIM, los relés del termostato no funcionan.

# 2 Instale el módulo de interfaz del equipo

Utilice tornillos y tarugos de acuerdo a la superficie de montaje. Monte el EIM cerca del equipo de HVAC o sobre el equipo mismo.

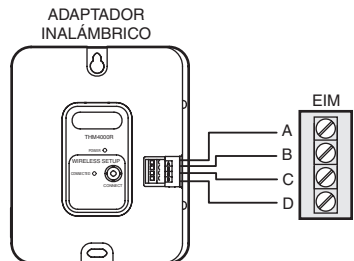


**NOTA:** Si instala más de un termostato y de un EIM, los EIM deben estar al menos con una separación de 2 pies (61 cm).

**NOTA:** Si está instalando sensores de descarga y retorno de aire, refiérase a las instrucciones de montaje en Alertas e Instrucciones de Instalación para el diagnóstico de Delta T que vienen con el kit Prestige IAQ.

Si un EIM se monta dentro de un gabinete metálico, se recomienda que use un adaptador inalámbrico para obtener un mayor rango de funcionamiento inalámbrico.

Monte el adaptador inalámbrico fuera del gabinete metálico y conéctelo a los terminales ABCD en el EIM.



## 3 Accesorios RedLINK opcionales de electricidad

### 3.1 Instale las baterías en los accesorios RedLINK.

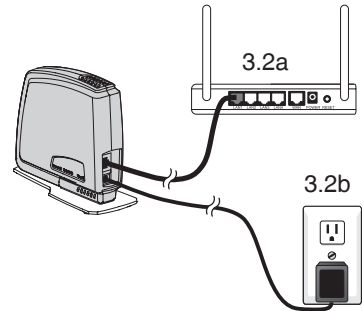
- Control de confort portátil
- Sensor inalámbrico de exteriores\*
- Sensor inalámbrico de interiores\*
- Remoto inalámbrico para punto de entrada/salida\*
- Remoto inalámbrico para reforzar la ventilación y la filtración\*

\* Requiere configuración. Consulte las opciones de configuración del instalador en el paso 4.5.

### 3.2 Conecte la puerta de acceso a Internet y conecte al suministro eléctrico.

3.2a Conecte la puerta de acceso a Internet RedLINK a un enrutador o módem con cable Ethernet (RJ45).

3.2b Conecte el cable de alimentación de la puerta de acceso a un tomacorriente que no esté controlado por un interruptor de pared.

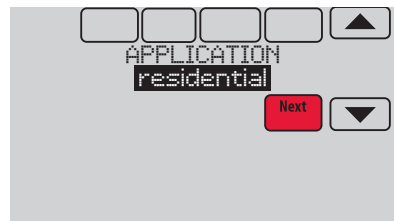


## 4 Cómo efectuar la configuración inicial

Las opciones de configuración iniciales definen el tipo de sistema que está instalando:

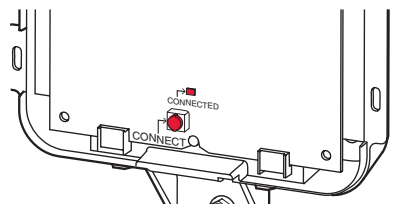
- Residencial o comercial
- No zonificado o zonificado


### 4.1 Siga las instrucciones de la pantalla para seleccionar las opciones adecuadas.



### 4.2 Interconecte el termostato al módulo de interfaz del equipo.

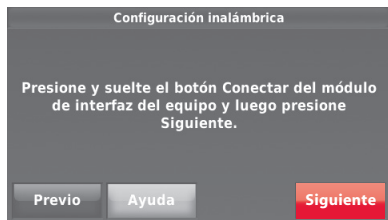
4.2a **Presione y suelte rápidamente** el botón CONNECT del EIM. Asegúrese de que la luz de "Conectado" esté destellando en verde.



 **NOTA:** Si la luz "Connected" (Conectado) NO destella en verde, es posible que otro sistema esté en el modo de espera de señal. Salga del modo de espera de señal en el otro sistema y luego inténtelo nuevamente.

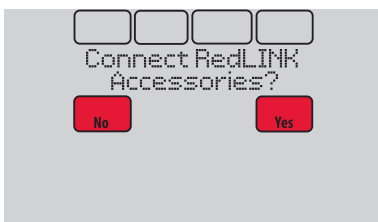
- Destellando en verde: en modo de espera de señal - el sistema está listo para añadir los dispositivos RedLINK.
- Verde fijo: los dispositivos RedLINK se están comunicando.
- Rojo: El(los) dispositivos RedLINK NO se están comunicando. Revise el EIM y los dispositivos RedLINK.

4.2b Mientras la luz de "Conectado" esté destellando en verde en el EIM, presione **Next** (Siguiete) en el termostato. Después de una breve demora, la pantalla mostrará que el termostato está conectado.




### 4.3 Cuando vea la instrucción "Do you have RedLINK accessories to connect?" ¿Tiene accesorios RedLINK para conectar? Toque **Yes** (Sí) o **No**

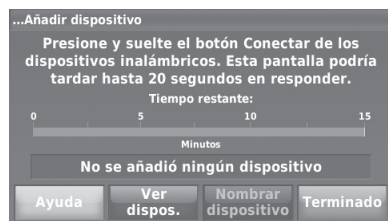
- Si selecciona **Yes** (Sí), se le instruirá a Press Connect (Presionar Conectar) en todos los nuevos accesorios. Continúe con el paso 4.4.
- Si selecciona **No**, continúe con el paso 4.5.



### 4.4 Conecte cada accesorio RedLINK.

 **NOTA:** Compruebe que los accesorios tengan al menos a 2 pies (61 cm) de separación del EIM durante el proceso de interconexión.


4.4a Mientras la pantalla de Add Device (Agregar dispositivos) se muestre (modo de espera de señal) **presione y suelte rápidamente** el botón CONNECT (Conectar) en cada uno de los nuevos accesorios RedLINK.

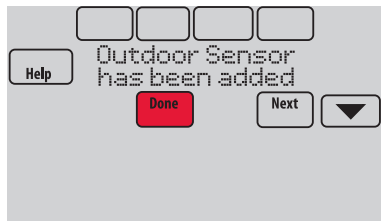
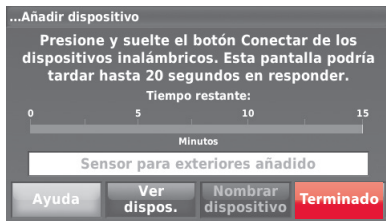




4.4b Después de una breve demora (de hasta 20 segundos), revise el termostato para confirmar la conexión de cada accesorio RedLINK.

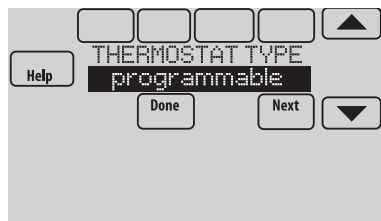
4.4c Toque **Done** (Terminado) en el termostato después de que todos los nuevos accesorios RedLINK estén conectados.

 **NOTA:** El termostato muestra un temporizador de cuenta regresiva mientras se encuentra en el modo de espera de señal. Si este no detecta actividad durante 15 minutos, saldrá del modo de espera de señal.

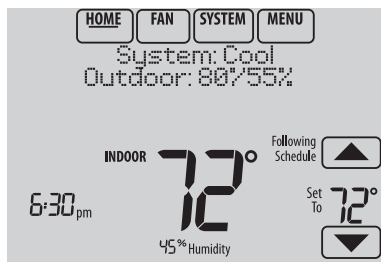


#### 4.5 Finalice la configuración inicial.

Finalice la configuración seleccionando las opciones deseadas. Toque **Done** (Terminado) después de seleccionar la última opción que desea cambiar.

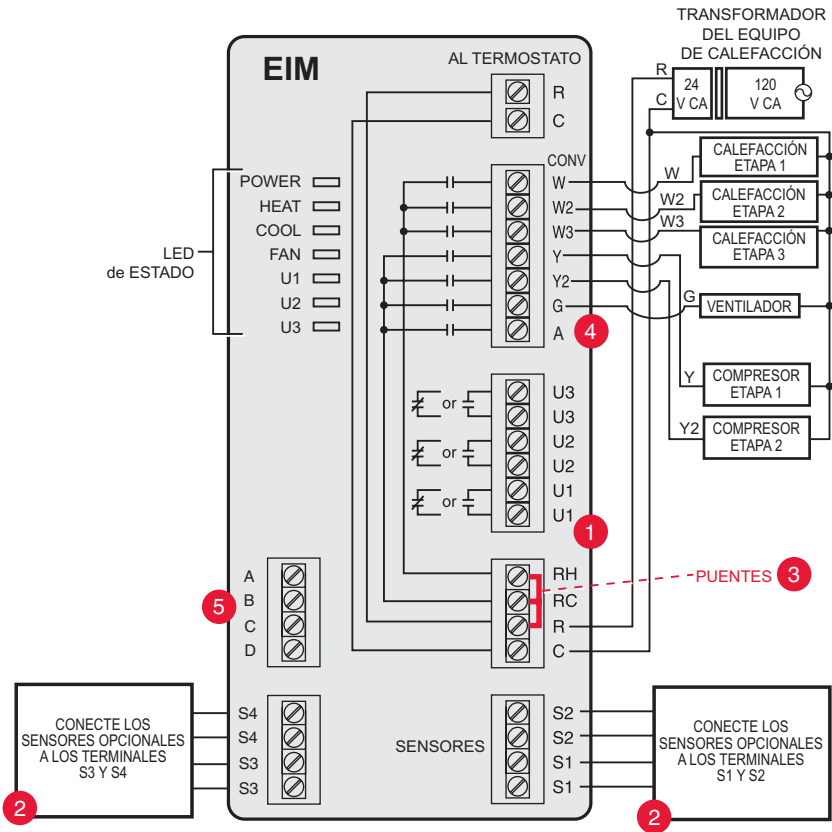


El termostato muestra ahora su pantalla principal y la **thermostat setup is complete** (configuración del termostato ha finalizado).



## Guía de cableado del EIM — sistemas convencionales

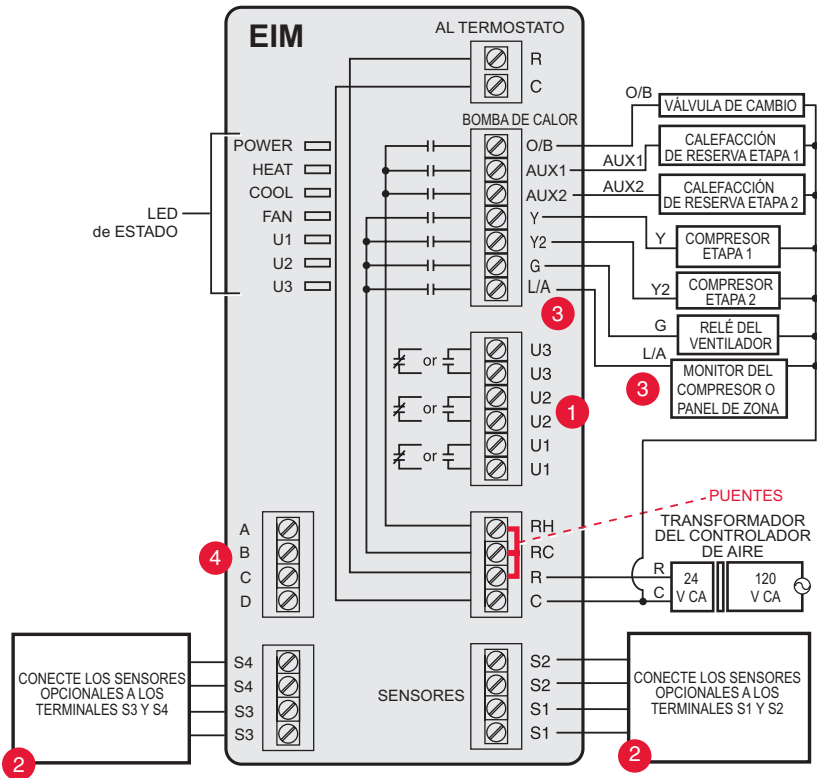
Cableado típico de un sistema convencional de hasta 3 etapas de calefacción y 2 de refrigeración con un transformador.



- 1 Consulte las guías de las páginas siguientes para el cableado del termostato y el cableado de la calefacción radiante geotérmica.
  - 2 Cablee un máximo de 4 sensores utilizando los terminales S1-S4. Los terminales S1-S4 pueden conectarse a un sensor de interiores, exteriores, de descarga, de retorno, dispositivo de contacto seco para mostrar una alerta o un sensor de ocupación para retroceso remoto.
  - 3 Retire el(los) puente(s) si utiliza transformadores separados.
  - 4 Refiérase a la sección de Cableado del economizador.
  - 5 Conecte el adaptador inalámbrico a ABCD para ampliar el rango de cobertura inalámbrica.
- NOTA:** Consulte las páginas siguientes para obtener pautas de cableado adicionales para el termostato en bombas de calor, sistemas geotérmicos y el economizador opcional.

## Guía de cableado del EIM — sistemas de bombas de calor

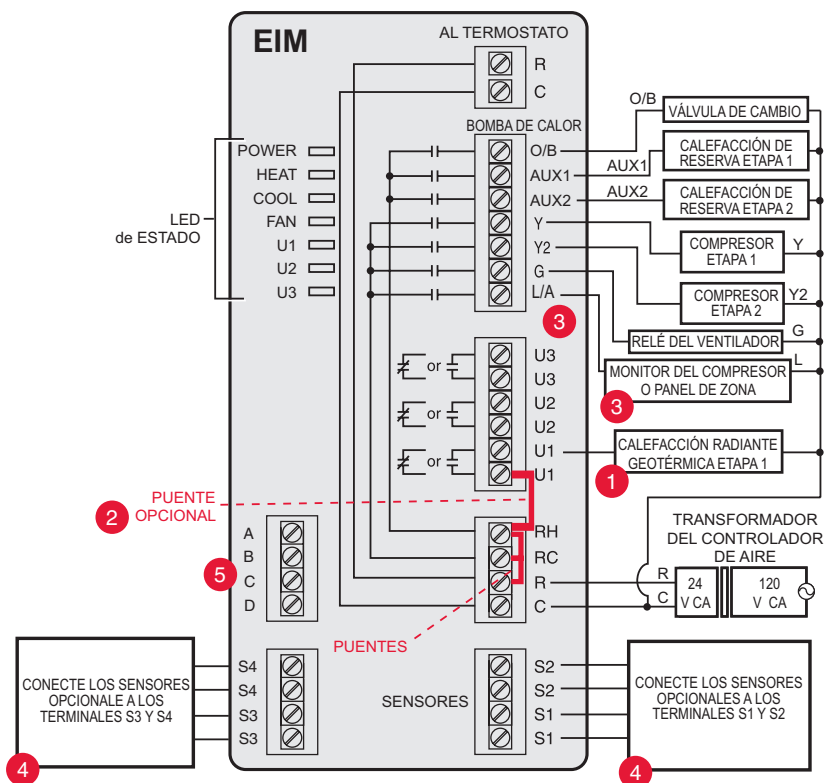
Cableado típico de un sistema de bomba de calor de hasta cuatro etapas de calor y dos de refrigeración con un transformador.



- 1 Consulte las guías de las páginas siguientes para el cableado del termostato y de la calefacción radiante geotérmica.
- 2 Cablee un máximo de 2 sensores utilizando los terminales S1-S4. Los terminales S1-S4 pueden conectarse a un sensor de interiores, exteriores, de descarga, de retorno, dispositivo de contacto seco para mostrar una alerta o un sensor de ocupación para retroceso remoto.
- 3 El terminal L/A envía una salida continua cuando el termostato está configurado al EM en el modo HEAT (CALEFACCIÓN), excepto cuando esté configurado para el economizador o TOD. Refiérase a la sección de cableado del economizador.
- 4 Conecte el adaptador inalámbrico a ABCD para ampliar el rango de cobertura inalámbrica.

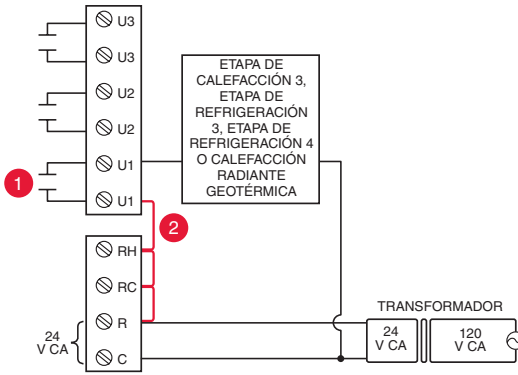
## Guía de cableado del EIM — calefacción radiante geotérmica

Cableado típico para la calefacción radiante geotérmica, el aire forzado geotérmico y la calefacción de reserva con un transformador.



- 1 Los terminales U1, U2 o U3 deben usarse para calefacción radiante geotérmica. El termostato permite 2 etapas de calefacción radiante—geotérmica (etapa 1) y caldera (etapa 2).
- 2 Los terminales "U" son normalmente contactos secos abiertos cuando se configuran para calefacción radiante geotérmica. Debe instalar un puente en campo si la calefacción radiante está alimentada por el transformador del sistema. NO instale un puente en campo si la calefacción radiante tiene su propio transformador.
- 3 El terminal L/A envía una salida continua cuando el termostato está configurado al modo EM HEAT (CALEFACCIÓN DE EMERGENCIA), excepto cuando esté configurado para el economizador o TOD. Refiérase a la sección de cableado del economizador.
- 4 Cablee un máximo de 2 sensores utilizando los terminales S1-S4. Los terminales S1-S4 pueden conectarse a un sensor de interiores, exteriores, descarga, retorno, dispositivo de contacto seco para mostrar una alerta o un sensor de ocupación para retroceso remoto.
- 5 Conecte el adaptador inalámbrico a ABCD para ampliar el rango de cobertura inalámbrica.

# Uso de los relés universales para controlar la calefacción y la refrigeración



- 1 Los terminales U1/U2/U3 son normalmente contactos secos abiertos cuando se configuran para una etapa de calefacción o refrigeración.
- 2 Debe instalar un puente en campo si la etapa de refrigeración o calefacción está alimentada por el transformador del sistema. NO instale un puente en campo si la etapa de calefacción tiene su propio transformador.

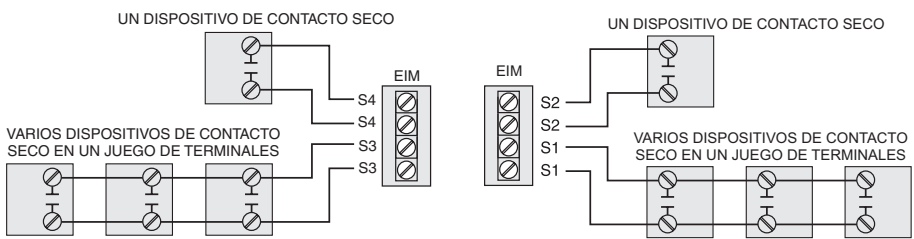
## Alertas de los contactos en seco.

**⚠ RIESGOS DE DAÑOS AL EQUIPO.** No aplique energía a los terminales S1-S4. No conecte un sensor de temperatura a los terminales S1-S4 si están configurados para un dispositivo de contacto en seco.

**🔴 NOTA:** El dispositivo de contacto seco debe estar clasificado para bajo voltaje.

Si no usa los terminales S1-S4 del EIM, puede conectarlos al dispositivo de contactos secos para mostrar una alerta. Las alertas de los contactos secos incluyen: bandeja de drenaje llena, filtro sucio, fuga de agua, apagado del sistema, necesita servicio, falla del ventilador y alerta personalizada. El dispositivo de contacto en seco puede estar normalmente abierto (como se ilustra en el diagrama) o normalmente cerrado.

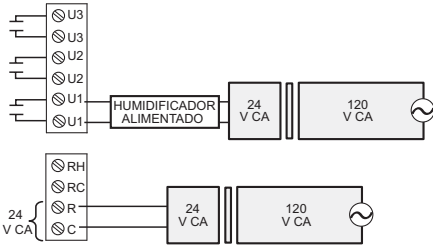
**🔴 NOTA:** Puede conectar varios dispositivos de contacto seco en paralelo a los terminales S1 y S4.



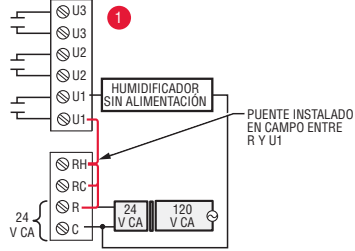
# Cableado para humidificación, deshumidificación y ventilación

Los terminales "U" pueden ser usados para humidificación, deshumidificación o ventilación.

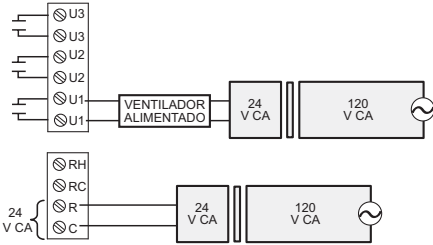
Conexión típica del humidificador con alimentación



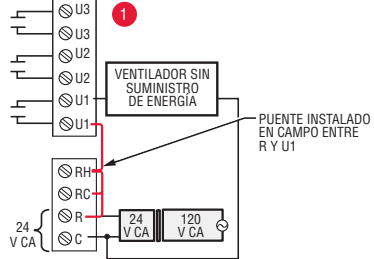
Conexión típica del humidificador sin alimentación



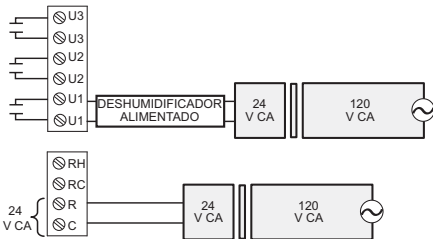
Conexión típica de la ventilación con alimentación



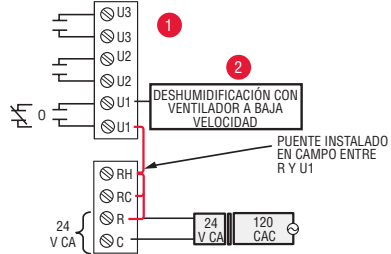
Conexión típica de la ventilación sin alimentación




Conexión típica del deshumidificador alimentado (deshumidificador para toda la casa)




Conexión típica del soplador de velocidad variable para deshumidificación a baja velocidad



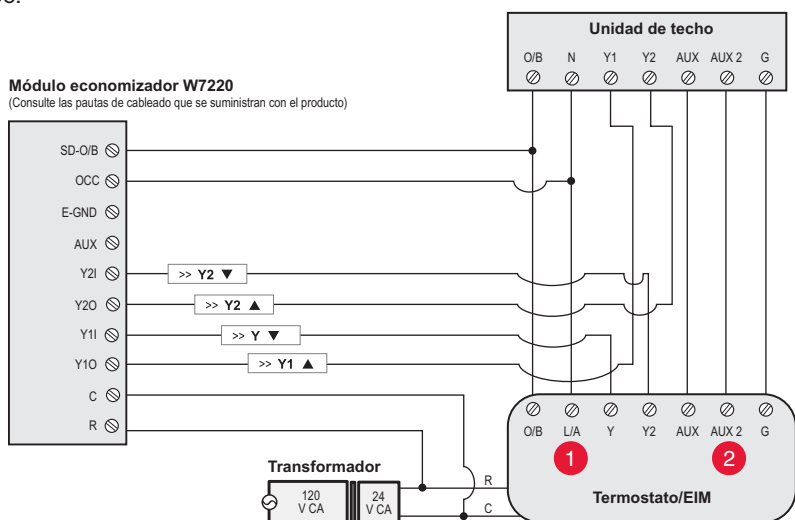
- 1 Se puede usar cualquier combinación de relés universales (U1, U2, U3). Se establecen en la configuración del instalador para el termostato.
- 2 Cablee el relé EIM universal al ventilador de baja velocidad para el control de la deshumidificación del equipo. El relé EIM puede configurarse para que esté normalmente abierto o normalmente cerrado en la configuración del instalador para el termostato.

 Contactos secos normalmente abiertos

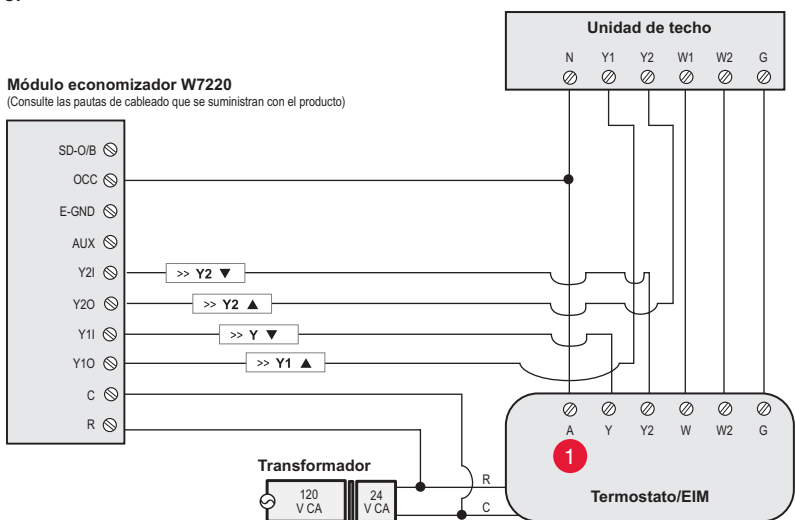
 Contactos secos normalmente cerrados

## Guías de cableado del módulo economizador

Cableado típico de un módulo economizador W7220 para un sistema de bomba de calor, utilizando un termostato VisionPRO con RedLINK o un módulo de interfaz del equipo.



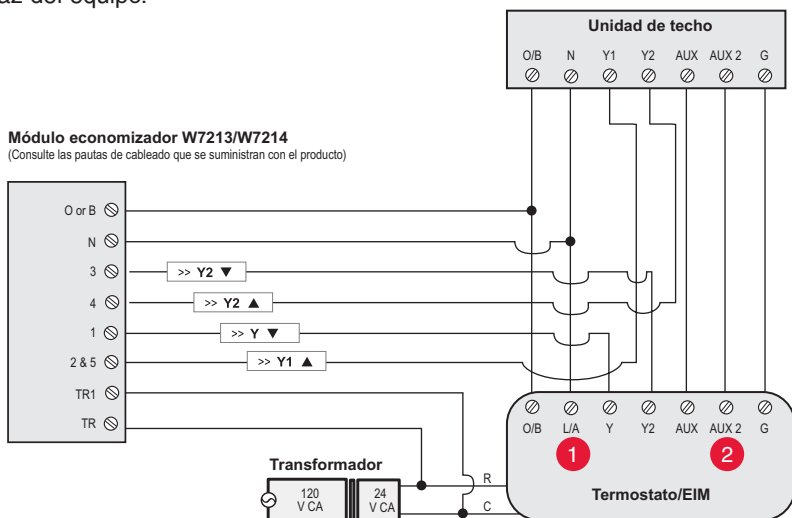
Cableado típico de un módulo economizador W7220 para un sistema convencional, utilizando un termostato VisionPRO con RedLINK o un módulo de interfaz del equipo.



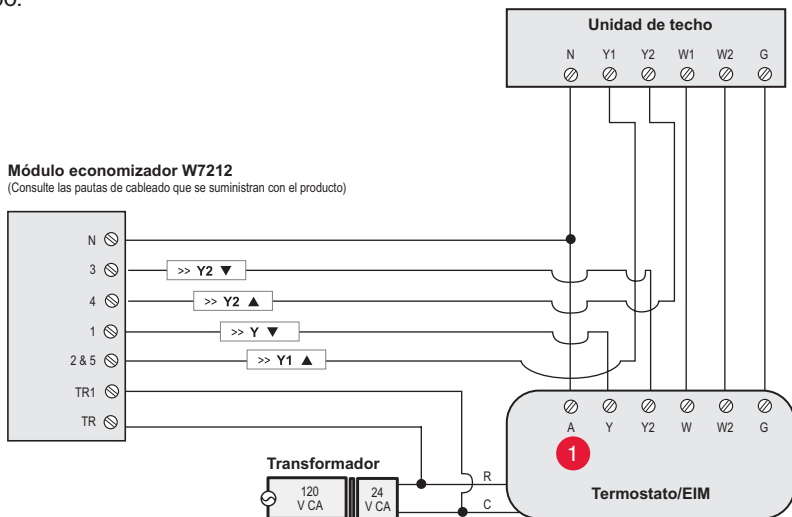
- 1 El terminal "A" o "L/A" debe estar configurado para el economizador en la configuración del instalador. El transformador de refrigeración alimenta estos terminales (terminal Rc).
- 2 El terminal AUX 2 está presente solo en el módulo de interfaz del equipo.

## Guías de cableado del módulo economizador

Cableado típico de un módulo economizador W7213/W7214 para un sistema de bomba de calor, utilizando un termostato VisionPRO con RedLINK o un módulo de interfaz del equipo.



Cableado típico de un módulo economizador W7212 para un sistema convencional, utilizando un termostato VisionPRO con RedLINK o un módulo de interfaz del equipo.



- 1 El terminal "A" o "L/A" debe estar configurado para el economizador en la configuración del instalador. El transformador de refrigeración alimenta estos terminales (terminal Rc).
- 2 El terminal AUX 2 está presente solo en el módulo de interfaz del equipo.



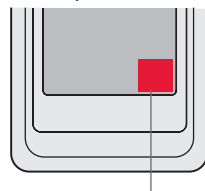
## Reemplazo del módulo de interfaz del equipo (EIM)

Cuando reemplace un EIM debe reiniciar los accesorios RedLINK antes de conectarlos al termostato nuevo. Siga las siguientes instrucciones:

### En el Control de confort portátil:

Presione y mantenga presionado el espacio en blanco (o la flecha) en la esquina inferior derecha de la pantalla hasta que cambie (presione 4 segundos, aproximadamente). Presione REMOVE (RETIRAR) y luego YES (Sí) para desconectarlos del equipo anterior. Para reconectar el termostato, vaya al Paso 4.

Control de confort portátil



Presione y sostenga

### En el sensor de interiores, puerta de acceso a Internet RedLINK, el remoto de entrada/salida, el remoto de refuerzo de la ventilación o el adaptador inalámbrico TrueSTEAM:

Presione y mantenga presionado el botón CONNECT (CONECTAR) en el accesorio hasta que la luz indicadora del estatus se ponga de color ámbar (presione el botón durante 10 segundos aproximadamente). Para reconectar el termostato, vaya al Paso 4.

### En el termostato:

Vaya a **Installer Options** (Opciones del instalador), **Wireless Device Manager** (Control remoto inalámbrico), **Remove Device** (Retirar dispositivo) y **Select This Thermostat** (Seleccionar este termostato). Siga las instrucciones de la pantalla para conectar el termostato al nuevo EIM.

## Especificaciones y piezas de repuesto

Control para los sistemas de bombas de calor de hasta 4 etapas de calefacción/2 etapas de refrigeración o para sistemas convencionales de hasta 3 etapas de calefacción/2 etapas de refrigeración para aplicaciones residenciales y comerciales.

### Temperatura ambiente de funcionamiento

Modulo de interfaz del equipo: de -40 a 165 °F (de -40 a 74 °C)

### Humedad relativa de funcionamiento

Modulo de interfaz del equipo: 5% al 95% (sin condensación)

### Dimensiones físicas (alto, ancho, profundidad)

Modulo de interfaz del equipo: 9-5/16 x 4-13/16 x 1-19/32 pulgadas (91 x 147 x 42 mm)

## Clasificación eléctrica

Terminal	Voltaje (50/60 Hz)	Clasificación actual máxima
W - OB	de 18 a 30 V CA y 750 mV CD	1.00A
Y (refrigeración)	de 18 a 30 V CA	1.00A
G (ventilación)	de 18 a 30 V CA	0.50A
W2 - Aux 1 (calefacción)	de 18 a 30 V CA	0.60A
Y2 (refrigeración)	de 18 a 30 V CA	0.60A
W3 - Aux 2	de 18 a 30 V CA	1.00A
A-L/A (salida)	de 18 a 30 V CA	1.00A
U1, U1	30 V CA máx.	0.50A
U2, U2	30 V CA máx.	0.50A
U3, U3	30 V CA máx.	0.50A

## Accesorios y piezas de repuesto

Accesorios/piezas de repuesto	Número de pieza
Módulo de interfaz del equipo	THM5421R1021
Puerta de acceso a Internet RedLINK	THM6000R1002
Remoto inalámbrico para punto de entrada/salida	REM1000R1003
Remoto inalámbrico para reforzar la ventilación y la filtración	HVC20A1000
Control de confort portátil	REM5000R1001
Sensor de ocupación para retroceso remoto	WSK-24
Sensor inalámbrico de exteriores	C7089R1013
Sensor inalámbrico de interiores	C7189R1004
Sensor inalámbrico de exteriores 10 k ohmios NTC	C7089U1006
Sensor interior cableado para montaje en pared 10 k ohmios NTC	C7189U1005
Sensor interior cableado para montaje a ras 20 k ohmios NTC	C7772A1004, C7772A1012
Sensor interior cableado para montaje en pared 20 k ohmios NTC	TR21
Sensor interior cableado para montaje en pared 10 k ohmios NTC	TR21-A
Sensor de suministro o de aire de retorno 10 k ohmios NTC	C7735A1000
Sensor de suministro o de aire de retorno 20 k ohmios NTC	C7041
Sensor de suministro o de aire de retorno 20 k ohmios NTC	C7770A1006
Placa de cubierta (cubre las marcas que dejan los termostatos anteriores)	50028399-001
Adaptador inalámbrico para TrueZone, TrueSteam o rango inalámbrico prolongado	THM4000R1000

## Información reguladora

### **Declaración de conformidad con las regulaciones FCC (Sección 15.19) (solo en los EE. UU.)**

Este dispositivo cumple con la Sección 15 de las regulaciones FCC. El funcionamiento está sujeto a las dos condiciones siguientes:

- 1 Este dispositivo no debe causar interferencia perjudicial, y
- 2 Este dispositivo deberá aceptar cualquier interferencia que se reciba, incluso la interferencia que pudiese causar el funcionamiento no deseado.

### **Advertencia de la FCC (Sección 15.21) (solo en los EE. UU.):**

Los cambios o las modificaciones que no hayan sido expresamente aprobados por la parte responsable del cumplimiento de las regulaciones podrían anular la autoridad del usuario para hacer funcionar el equipo.

### **Declaración de la FCC sobre interferencias (Sección 15.105(b)) (solo en los EE. UU.):**

Este equipo fue probado y cumple con los límites de los dispositivos digitales clase B, conforme a la Sección 15 de las regulaciones FCC. Estos límites están diseñados para ofrecer una protección razonable contra la interferencia perjudicial en una instalación residencial. Este equipo genera usos y puede irradiar energía de frecuencia de radio y, si no se instala ni se utiliza según las instrucciones, puede producir una interferencia perjudicial en la comunicación radial. Sin embargo, no se garantiza que no habrá interferencia en una instalación particular. Si este equipo produce una interferencia perjudicial en la recepción televisiva o radial, lo cual puede determinarse al apagar y encender el equipo, se recomienda que el usuario intente corregir la interferencia con una o más de las siguientes medidas:

- Vuelva a orientar y ubicar la antena receptora.
- Aumente la distancia entre el equipo y el receptor.

- Conecte el equipo a un tomacorriente en un circuito diferente a aquel en el que está conectado el receptor.
- Consulte con su distribuidor o con un técnico experto en radio/televisión para recibir ayuda.

### **Módulo de interfaz del equipo, termostatos y sensor de exteriores:**

Para cumplir con los límites de exposición RF que establece la FCC y el Industry Canada para la población en general/exposición no controlada, la o las antenas usadas para estos transmisores deben instalarse a una distancia de, al menos, 20 cm de todas las personas, y no deben ubicarse ni utilizarse junto con otra antena o transmisor.

### **Control de confort portátil:**

Este transmisor portátil y su antena cumplen con los límites de exposición RF que establece la FCC y el Industry Canada para la población en general/exposición no controlada. Este dispositivo no deberá colocarse ni accionarse conjuntamente con otra antena o transmisor.


### **Sección 7.1.2 de RSS-GEN:**


De acuerdo con las regulaciones de la industria de Canadá, este transmisor de radio puede funcionar únicamente utilizando un tipo de antena y una ganancia máxima (o inferior) aprobada para el transmisor por la industria de Canadá. Para disminuir la interferencia potencial del radio con otros usuarios, el tipo de antena y su ganancia deben ser elegidas de tal forma que la potencia isotropa radiada equivalente (e.i.r.p.) no sea mayor de lo necesario para una comunicación eficaz.

### **Sección 7.1.3 de RSS-GEN**

El funcionamiento está sujeto a las dos condiciones siguientes:

- 1 Este dispositivo no debe causar interferencia, y
- 2 Este dispositivo deberá aceptar cualquier interferencia, incluso la interferencia que pudiese causar el funcionamiento no deseado del dispositivo.

 **DESCONECTE EL SUMINISTRO ELÉCTRICO ANTES DE LA INSTALACIÓN.**  
Puede causar descargas eléctricas o daños al equipo.

 **Deberá ser instalado por un técnico capacitado y experimentado.** Lea detenidamente estas instrucciones. De no seguirlas, se podría dañar el producto o provocar una situación peligrosa.

### ¿Necesita ayuda?

Para obtener ayuda visite <http://customer.honeywell.com>, o llame gratis al:  
**1-800-468-1502** (instalación residencial) • **1-888-245-1051** (instalación comercial)

### Automatización y control desenlace

Honeywell International Inc.  
1985 Douglas Drive North  
Golden Valley, MN 55422  
<http://customer.honeywell.com>

# Honeywell

