

# INSTALLATION MANUAL

## DOWNFLOW SINGLE AND TWO STAGE ELECTRIC FURNACE



### MODELS: E30 SERIES

#### LIST OF SECTIONS

1 – General	1	6 – Line Voltage and Control Box Wiring	8
2 – Safety	3	7 – Thermostat Wiring and Connections	11
3 – Return Air and Clearance Requirements	4	8 – Motor, Blower and Furnace Startup	15
4 – Supply Air and Duct Connector Installation	5	9 – Final System Checkout	16
5 – Furnace Installation	7	10 – Wiring Diagrams	18

#### LIST OF FIGURES

1 – Furnace Dimensions	2	19 – Separate Thermostats, Same Furnace Wiring Diagram	12
2 – Closet Clearances	4	20 – Same T' stat, Separate Furnace, Trans and Heat Pump	13
3 – Typical Closet Installations	4	21 – Same T' stat, Separate Furnace, Trans and Cool Unit	13
4 – Typical Alcove Installations	5	22 – Single Stage Heat / Cool T' stat, Two Stage Furnace	14
5 – Clearance – Access for Service	5	23 – Two Stage Heating / Cooling T' stat, Furnace	14
6 – Duct Connector Depths	5	24 – Typical Two Stage Heating / Heat Pump T' stat, Furnace	14
7 – Duct Connector and Floor Base Installations	6	25 – X-13 motor Terminals	15
8 – Duct Connector Measurements	6	26 – Blower Assembly and Blower Deck	16
9 – Duct Connector and Floor Base Measurements	6	27 – Wiring Diagram 5 kW w/ X-13 Blower Motor	18
10 – Return Air Grille and Frame Assembly	7	28 – Wiring Diagram 8 kW, 10 kW, 12kW w/ X-13 Blower Motor	19
11 – Grille and Frame Assembly Filter Locations	7	29 – Wiring Diagram 15 kW w/ X-13 Blower Motor	20
12 – Coil Cabinet Door Bracket Location	8	30 – Wiring Diagram 20 kW w/ X-13 Blower Motor	21
13 – Control Box Component Locations	10	31 – Wiring Diagram 5 kW w/ PSC Blower Motor	22
14 – Control Box Cover and Circuit Breaker Location	10	32 – Wiring Diagram 8 kW, 10 kW, 12kW w/ PSC Blower Motor	23
15 – Line Voltage Electrical Shield	10	33 – Wiring Diagram 15 kW w/ PSC Blower Motor	24
16 – Line Voltage Electrical Shield Location	11	34 – Wiring Diagram 20 kW w/ PSC Blower Motor	25
17 – Control Box Power, Blower & Fuse Connections	11	35 – Wiring Diagram 0 kW w/ X-13 Blower Motor	26
18 – Separate Thermostats, Same Furnace Wiring Diagram	12	36 – Wiring Diagram 0 kW w/ PSC Blower Motor	27

#### LIST OF TABLES

1 – Electric Furnace Model Specifications	2	8 – Electrical Data	9
2 – Model Nomenclature	2	9 – Low Voltage Wire Gauge and Max Lengths	11
3 – Optional Cooling Cabinets and Return Air Grille	2	10 – Recommended Heat/Cool T' stat Wire Color Code	12
4 – Clearances to Combustibles	4	11 – Recommended Heat/Cool/HP T' stat Color Code	12
5 – Duct Connectors	5	12 – X-13 Motor Terminal Connections	15
6 – Wiring Requirements – Single Branch Circuit	9	13 – X-13 Motor Factory Speed Tap Settings	17
7 – Wiring Requirements – Dual Branch Circuit	9		

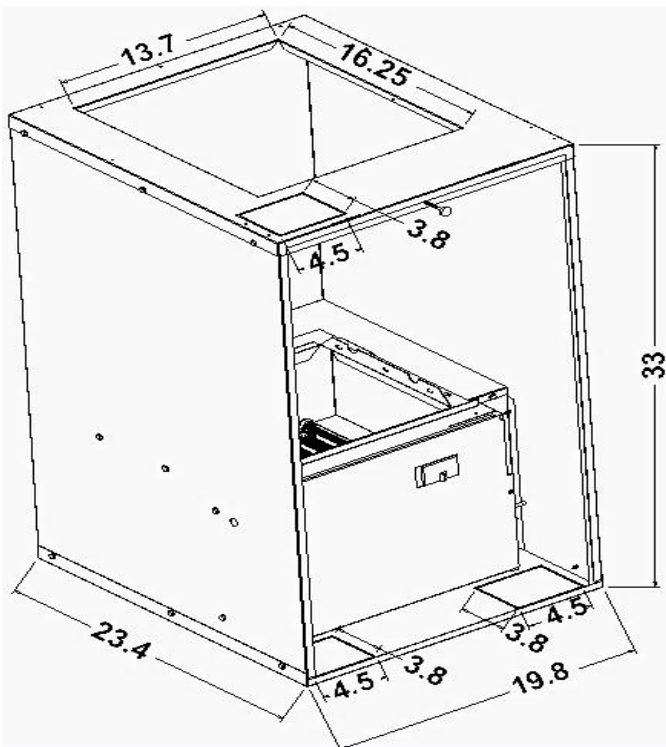
#### SECTION I: GENERAL

The following list includes important facts and information regarding the electric furnace and its inclusions.

1. Furnace is rated at 240 volts AC at 60 Hertz
2. Furnace is the same size for all models
3. Four-wire thermostat operation for heating and cooling
4. A/C ready furnaces equipped with blower for A/C or Heat Pump operation
5. Holding Strap furnished with furnace
6. This furnace is designed for downflow / horizontal application
7. This furnace must not be operated without furnace door installed

NOTE: This furnace and its components listed on the A/C and Heat Pump equipment sticker were listed in combination as a system by ETL for the United States.

**SAVE THIS MANUAL FOR FUTURE  
REFERENCE**



**Figure 1: Furnace Dimensions**

Models	ALL	ALL	ALL
Input, kW	5	8	10
With A-Coil Cabinet	NO	NO	NO
Air Temperature Rise, Range - F	20-80	20-80	30-90
Designed Max Outlet Air Temp-F	170	170	180
Blower-Heat or Heat/Cool	10 X 9 BLOWER		
Max. External SP (Duct), In. W.C.	0.3		
Thermostat Circuit	24 VAC, 60 Hz, 40VA		
Electric Furnace Cabinet Height	33 inches		

Models	ALL	ALL	ALL
Input, kW	12	15	20
With A-Coil Cabinet	NO	NO	NO
Air Temperature Rise, Range - F	30-90	35-100	40-100
Designed Max Outlet Air Temp-F	180	185	185
Blower-Heat or Heat/Cool	10 X 9 BLOWER		
Max. External SP (Duct), In. W.C.	0.3		
Thermostat Circuit	24 VAC, 60 Hz, 40VA		
Electric Furnace Cabinet Height	33 inches		

**Table 1: Electric Furnace Model Specifications**

**Available Blower Motors**

1. Standard Blower Motor - 5 SPD X-13 MOTOR
2. Optional Blower Motor – 3 SPD PSC MOTOR

Type of Fuel	Stages of Heat	Type of Blower Motor	Blower Motor Speed Taps and HP	Furnace Configuration	Heating Input (kW)	Furnace Cabinet Height	Furnace Heating Stage	Revision Letter
E = Electric Furnace	30 = Single Stage Heating 31 = Two Stage Heating	A = PSC B = X-13	1 = 3 SPD 1/2 HP PSC 2 = 3 SPD 1/3 HP PSC 3 = 5 SPD 1/3 HP X-13 4 = 5 SPD 1/2 HP X-13 5 = 5 SPD 3/4 HP X-13 6 = 3 SPD 3/4 HP PSC	D = Downflow / Horizontal				A = New release A = Single Stage Heat B = Two Stage Heat A = 33 Inches B = 35 Inches 005 = 5 kW Heater 008 = 8 kW Heater 010 = 10 kW Heater 012 = 12 kW Heater 015 = 15 kW Heater 017 = 17 kW Heater 020 = 20 kW Heater

**Table 2: Furnace Model Nomenclature**

Coil Cabinet Model	Front Door of Cabinet	Open Top 17 3/4" x 21 3/4"	Maximum Air Flow CFM	1" Pleated Air Filter, In The Door	2" Pleated Air Filter, Top of Cabinet	Height	Depth	Width	Coil Sizes
97-FLSB-21	Louvered	N/A	1200	20x20		23 1/4"	25"	19 3/4"	All Mortex 96 series coils will fit in cabinet
97-FSOB-21	Solid		1600		20x24	23 1/4"	25"	19 3/4"	
97-FLOB-21	Louvered		1800	20x20	20x24	23 1/4"	25"	19 3/4"	
97-FLSB-27	Louvered	N/A	1600	20x30		30 1/2"	25"	19 3/4"	96-97 series coils and 98 series coils sizes up to 98-8W7
97-FSOB-27	Solid		1600		20x24	30 1/2"	25"	19 3/4"	
97-FLOB-27	Louvered		1800	20x20	20x24	30 1/2"	25"	19 3/4"	
97-FLSB-39	Louvered	N/A	1800	2ea 20x20		40 1/4"	25"	19 3/4"	All Mortex series coils will fit in cabinet
97-FSOB-39	Solid		2000		20x24	40 1/4"	25"	19 3/4"	
97-FG-18	Louvered	N/A	1200	N/A	N/A	18"	N/A	19 3/4"	Frame & Grills Non-Cabinet
97-FG-24	Louvered	N/A	1600	N/A	N/A	24"	N/A	19 3/4"	

**Table 3: Optional Cooling Cabinets and Return Air Grille Frame Assemblies**

## SECTION II: SAFETY




This is a safety alert symbol. When you see this symbol on labels or in manuals; be alert to the potential for personal injury.


Understand and pay particular attention to the signal words **DANGER, WARNING, or CAUTION.**


**DANGER:** indicates an **imminently** hazardous situation, which if not avoided, **will result in death or serious injury.**

**WARNING:** indicates a **potentially** hazardous situation, which if not avoided, **could result in death or serious injury.**

**CAUTION:** indicated a **potentially** hazardous situation, which if not avoided, **may result in minor or moderate injury.** It is also used to alert against unsafe practices and hazards involving property damage.

 <b>WARNING</b>
Improper installation may create a condition where the operation of the product could cause personal injury or property damage.
Improper installation, adjustment, alteration, service or maintenance can cause injury or property damage. Refer to this manual for assistance; or for additional information consult a qualified contractor, installer, or service agency.

 <b>CAUTION</b>
This product must be installed in strict compliance with the installation instructions and any applicable local, state, and national codes including, but not limited to; building, electrical, and mechanical codes.

 <b>WARNING</b>
<b>FIRE OR ELECTRICAL HAZARD</b>
Failure to follow the safety warnings exactly could result in serious injury, death, or property damage.
A fire or electrical hazard may result causing property damage, personal injury or loss of life.

### Furnace Weights

E30A1DxxxAAA Models – 82 lbs  
E30A2DxxxAAA Models – 82 lbs  
E30B3DxxxAAA Models – 79 lbs  
E30B4DxxxAAA Models – 81 lbs

E30B5DxxxAAA Models – 85 lbs  
E30A6DxxxAAA Models – 85 lbs  
**Safety Requirements**

1. This electric furnace should be installed in accordance with all national and local; building, safety, plumbing, and wastewater codes and requirements; along with all other applicable codes.
2. Refer to the furnace rating plate for the furnace model number.
3. Refer to the dimensions page of this instruction for the duct connector dimensions shown in Figures 6 thru 9. The duct connector must be installed according to the instructions in this manual.
4. Provide clearances from combustible materials as listed under **Clearances to Combustibles.**
5. Provide clearances for servicing ensuring service access is allowed for the control box, electric elements and the blower.
6. Failure to carefully read and follow all instructions in this manual can result in malfunction of the furnace, death, personal injury, and/or property damage.
7. Check the rating plate and the power supply to be sure the electrical characteristics match.
8. Electric furnace shall be installed so the electrical components are protected from water.
9. Installing and servicing heating/cooling equipment can be hazardous due to electrical components.
10. Only trained and qualified personnel should install repair or service heating/cooling equipment. Untrained service personnel can perform basic maintenance functions such as cleaning of exterior surfaces and replacing the air filters. Observe all precautions in the manuals and on the attached labels when working on this appliance.
11. These instructions cover minimum requirements and conform to existing national standards and safety codes. In some instances these instructions exceed certain local codes and ordinances, especially those who have not kept up with changing mobile home, modular home and HUD construction practices. These instructions are to be followed and are the minimum requirement for a safe installation.

### Inspection

As soon as the furnace is received, it should be inspected for possible damage during transit. If damage is evident, the extent of the damage should be noted on the carrier's freight bill. A separate request for inspection by the carrier's agent should be made in writing. Before installing the furnace you should check the cabinet for screws or bolts which may have loosened in transit. There are no shipping or spacer brackets which need to be removed before startup.

Also check to be sure all accessories such as heater kits, and coils are available. Installation of these accessories should be accomplished before the furnace is set in place or the connecting of the wiring, electric heat, ducts or piping.

**Codes**

The furnace must be installed in accordance with the following codes.

- Standard for the Installation of Air Conditioning and Ventilating Systems (NFPA 90A)
- Standard for the Installation of Warm Air heating and Air Conditioning Systems (NFPA 90B)
- National Electrical Code (NFPA 70)
- Canadian Electrical Code, Part I (CSA C22.1)
- All local codes (State, City, and Township)

NOTE: All applicable codes take precedence over any recommendation made in these instructions.

**SECTION III: RETURN AIR AND CLEARANCE REQUIREMENTS LOCATION**

Access for servicing is an important factor in the location of any furnace. Provide a minimum of 24 inches in front of the furnace for access to the control box, heating elements, and blower. This access may be provided by a closet door or by locating the furnace so that a wall or partition is not less than 24 inches from the front access door.

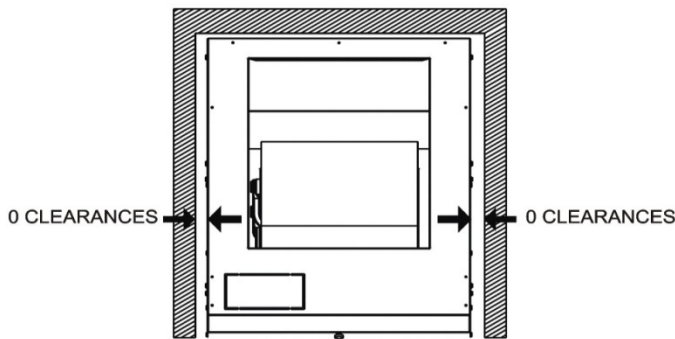
**Furnace Clearances**

This furnace is approved for zero (0 inches) clearance to combustible material on any part of the furnace exterior and the inlet or outlet ducts. Refer to Table 4 for clearance to combustibles information.

**CLEARANCES**

MODEL	TOP (in)	BACK (in)	SIDES (in)	FRONT OF FURNACE		DUCT (in)
ALL	6	0	0	ALCOVE (in)	CLOSET (in)	0
				18	6	

**Table 4: Clearances to Combustibles**



**Figure 2: Closet Clearances**

**Return Air**

In order for the furnace to work properly, a closet or alcove must have a certain total free area opening for the return air.

**For A/C and HP Furnaces (1/3 HP Blower)**

- Minimum 200 in<sup>2</sup> free area opening
- Use Return Grille or Coil Cabinet

**For A/C and HP Furnaces (1/2 HP Blower)**

- Minimum 250 in<sup>2</sup> free area opening
- Use Return Grille, A/C Coil Cabinet, or any return grille with a minimum 250 in<sup>2</sup> free area opening

**For A/C and HP Furnaces (3/4 HP Blower)**

- Minimum 390 in<sup>2</sup> free area opening
- Use Return Grille, or A/C Coil Cabinet, or any return grille with a minimum 390 in<sup>2</sup> free area opening

**Top Return Only – Recommended Grille Size**

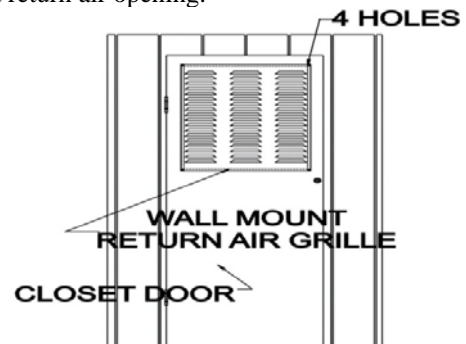
- 800 CFM – 20 X 20 Grille – 324 in<sup>2</sup>
- 1000 CFM – 20 X 25 Grille - 414 in<sup>2</sup>

- 1200 CFM – 25 X 25 Grille - 414 in<sup>2</sup>
- 1400 CFM – 25 X 30 Grille - 644 in<sup>2</sup>
- 1600 CFM – 25 X 30 Grille - 644 in<sup>2</sup>
- 1800 CFM – 30 X 30 Grille - 784 in<sup>2</sup>

**Louvered Door and Top Return – Recommended Grille Size**

- 800 CFM – 10 X 20 Grille – 144 in<sup>2</sup>
- 1000 CFM – 12 X 20 Grille -180 in<sup>2</sup>
- 1200 CFM – 14 X 20 Grille - 216 in<sup>2</sup>
- 1400 CFM – 18 X 20 Grille - 288 in<sup>2</sup>
- 1600 CFM – 18 X 20 Grille - 288 in<sup>2</sup>
- 1800 CFM – 20 X 20 Grille - 324 in<sup>2</sup>

The return air opening can be located in a closet front door or a side wall above the furnace casing, or in a louvered door on the furnace. If opening for the return air is located in the floor, side walls, or closet door anywhere below the furnace casing height, a 6 inch minimum clearance must be provided on the furnace side where the return is located to provide for proper air flow. The 6 inch minimum clearance is not required if there is a return grille installed above the furnace with the sufficient return air opening.



**Figure 3: Typical Closet Installations**

Provisions shall be made to permit the air in the rooms and the living spaces to return to the furnace. Failure to comply may cause a reduction in the amount of return air available to the blower, causing reduced air flow resulting in improper heating of the living space. The reduced air flow may cause the furnace to cycle on the limit causing premature heating element failure.

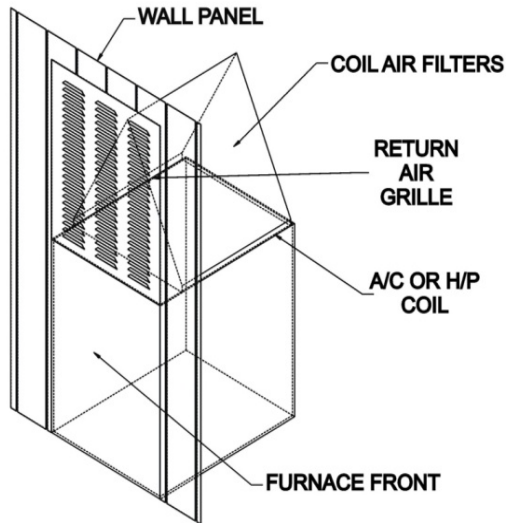


Figure 4: Typical Alcove Installations

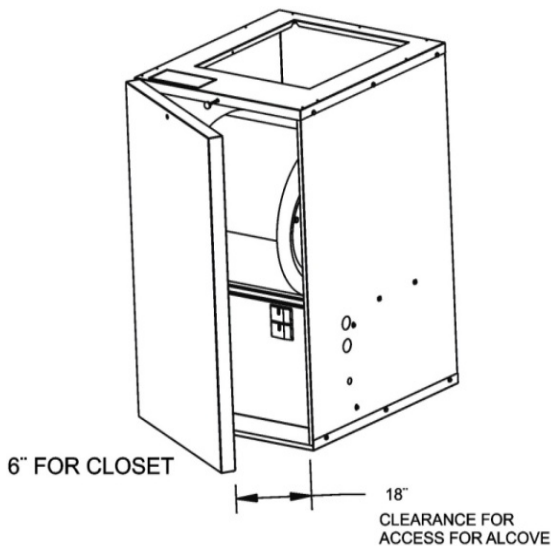


Figure 5: Clearance – Access for Service

**Air Distribution System**

The furnace is designed to operate at a 0.30 inch WC static pressure. In order to assure proper air flow through the furnace the duct distribution system must be designed so that the external static pressure from the furnace, thru the duct system must not exceed 0.30 inch WC. It is recommended you review the manual “**Manufactured Housing Duct Systems Guide to Best Practices**” by Manufactured Housing Research Alliance (MHI-MHRA) before selecting the air distribution system you are going to use.

**SECTION IV: SUPPLY AIR AND DUCT CONNECTOR INSTALLATION**

**Duct Connectors**

**90-DCU0-XX Duct Connectors**

The duct connector is used to provide a sealed connection between the furnace base and a under the floor duct system. The duct connector allows the furnace to be installed on a combustible floor without the use of a separate sub base providing insulation is placed between the duct connector and the combustible floor. Table 5 indicates the duct connector needed for your application.

DEPTH FROM FLOOR TO DUCT	FINGERED STYLE
1"	90-DCU0-01
2"	90-DCU0-01
3"	90-DCU0-01
4"	90-DCU0-01
5"	90-DCU0-02
6"	90-DCU0-02
7"	90-DCU0-02
8"	90-DCU0-02
9"	90-DCU0-03
10"	90-DCU0-03
11"	90-DCU0-03
12"	90-DCU0-03

Table 5: Duct Connectors

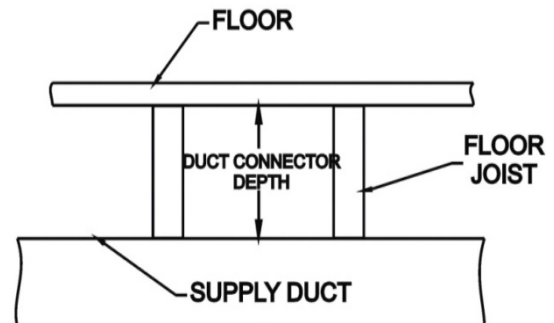


Figure 6: Duct Connector Depths

**⚠ WARNING**

Duct connector can be installed on combustible flooring, **except carpeting**, providing insulation having a rating of R-12 or higher is used between the floor base and the combustible floor.

Failure to use insulation with a rating of R-12 or higher between the floor base and a combustible floor; then installing the floor base on a combustible floor could result in serious injury, death, or property damage.

A fire may result causing property damage, personal injury or loss of life.



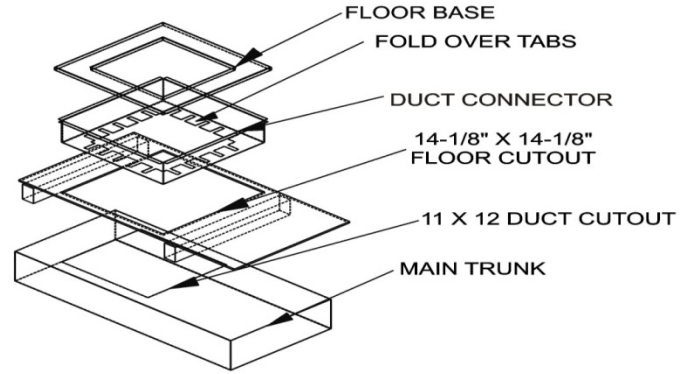
**Installing the Duct Connector**

1. Attach the four (seal strip) foam tape gaskets provided with the duct connector alongside the perimeter of the duct opening to seal the duct connector where it attaches to the top of the duct as shown in Figures 7, 8 and 9.
2. Insert the duct connector thru the opening in the floor and attach the duct connector to the top of the duct by inserting the tabs through the opening in the top of the duct and bending the tabs back 90 degrees against the inside of the duct, so the top of the duct is securely fastened to the duct connector. Be sure the seal strip has sealed the area around the duct connector where it attaches to the duct.
3. Slit the corners of the duct connector that extend above the floor, and then bend the sides over onto the floor surface. Refer to Figures 7, 8 and 9.
4. Place insulation with a rating of R-12 or higher between the floor base and the floor when used on a combustible floor. Be sure to cut the insulation around the perimeter of the duct connector opening.
5. Install the floor base over the floor opening with the flanges on the 11 x 13 inch opening facing down. Refer to Figures 8 and 9.
6. Locate the four (4) screws provided with the duct connector kit and install the four screws through the four holes provided in the floor base to secure the floor base to the floor.

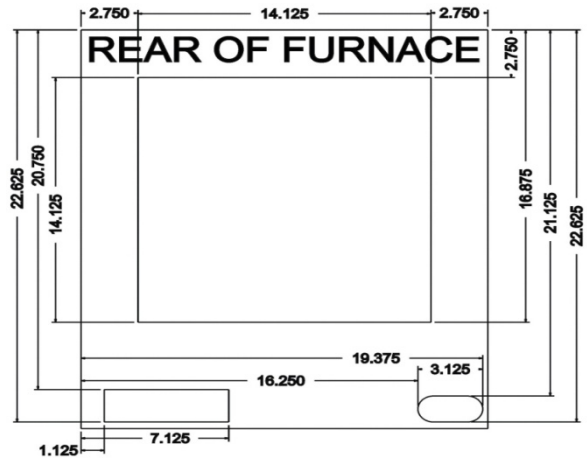
The duct connector is designed for use on ducts wider than 12 inches. When using the connector on smaller width ducts, there will not be sufficient clearance to bend the tabs on two sides of the duct connector.

In such cases the tabs may be attached to the sides of the duct by using sheet metal screws or other suitable fasteners. Place holes in the tabs for sheet metal screws by drilling the required screw holes in three (3) tabs on each side of the duct connector. If more than three tabs need to be used to provide a more secure and air tight connection, then drill the remaining tabs so the additional tabs can also be fastened to the duct with screws. Use a duct sealer to seal any air leaks between the duct and the duct connector.

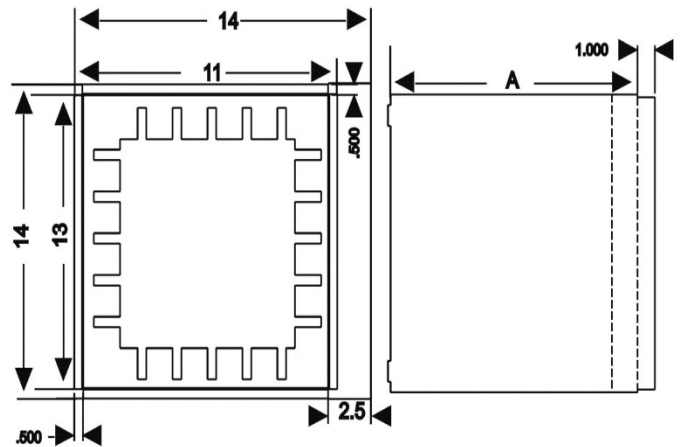
Tape can be used to provide a better air seal. The tape should be a type approved by applicable national or local codes.



**Figure 7: Duct Connector and Floor Base Installation**



**Figure 8: Duct Connector Measurements**



**Figure 9: Duct Connector Installation in the Floor**

## SECTION V: FURNACE INSTALLATION

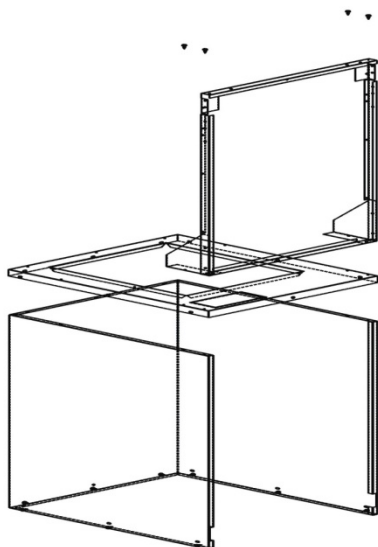
### Installing the Furnace with a Return Air Grille Frame Assembly

#### Alcove Installation

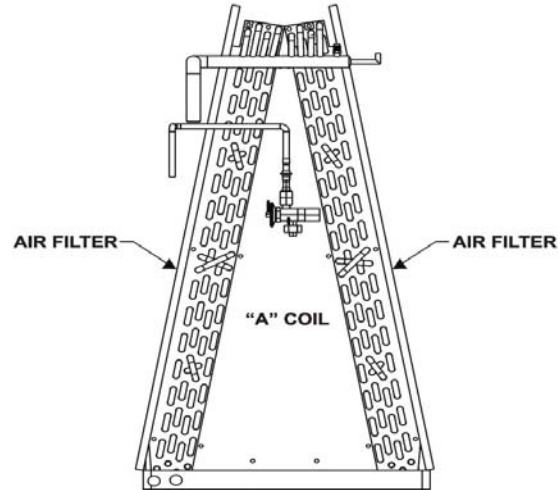
This kit is approved for use in an alcove – heating only installation without an air conditioning coil. The return air grille frame assembly is available in 18” height and 24” height. To install the return air grille frame assembly to the furnace, follow the steps below:

Prior to installing the furnace make sure the holes are cut into the floor for the refrigerant tubing, the electrical wiring are in place, the thermostat wiring and the condenser control wiring should be in place.

1. Before installing the return air grille frame on the furnace, be sure you have enough clearance to install the furnace and the return air grille assembly.
2. Remove the top shipping cover and corner posts.
3. Remove the front access panel (door).
4. Remove the return air grille frame assembly from the box.
5. Set the return air grille frame assembly on the top-front part of the furnace. Be sure to line up the screw holes in the frame with the screw holes in the furnace top cover as shown in Figure 10.
6. Insert the screws provided with the louvered door assembly through the holes in the louvered door frame and into the holes in the furnace top cover.
7. Tighten the screws to secure the louvered door frame assembly to the top cover of the furnace.
8. Remove the bottom shipping cover.
9. Slide the furnace on to the floor base. Push the furnace back until the furnace casing is against the rear flange.
10. Secure the furnace to the floor by drilling two holes through the furnace base and the floor base at the right and left front inside corners of the cabinet. Use two screws to secure the furnace to the floor.



**Figure 10: Return Air Grille Frame Assembly**



**Figure 11: Return Air Frame Assembly Filter Location**

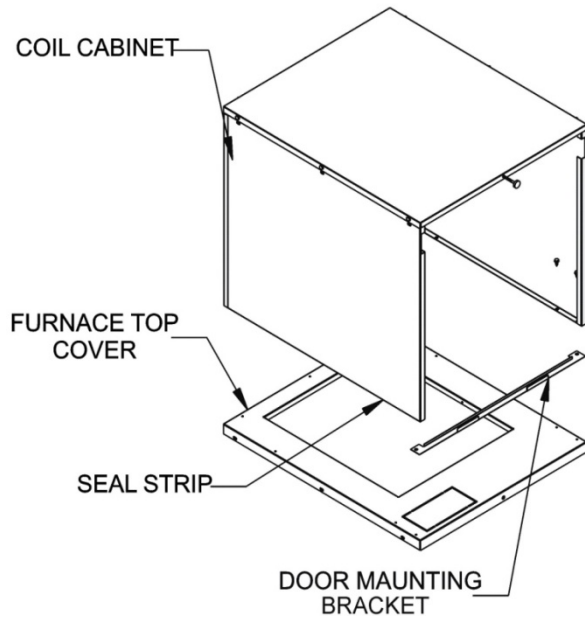
#### Installing the Furnace and Coil Cabinet

##### Closet Installation

This kit is approved for use in an alcove or closet installations with an approved air conditioning coil. The coil cabinets are available in 23.25”, 30.50” and 41.25” height. The furnace is 33” in height making the total furnace and coil cabinet heights 56”, 63” and 73”. To install the coil cabinet assembly to the furnace, follow the steps below:

Prior to installing the furnace make sure the holes are cut into the floor for the refrigerant tubing, the drain line, the electrical wiring, the thermostat wiring and the condenser control wiring.

1. Before installing the coil cabinet on the furnace, be sure you have enough clearance to install the furnace and the filter door assembly.
2. Remove the top shipping cover and corner posts.
3. Remove the bottom shipping cover.
4. Remove the front access panel (door) and lay the furnace on its back.
5. Remove the coil cabinet from the box and assemble per the instructions.
6. Lay the coil cabinet on its back and place the coil cabinet flanges against the furnace top cover.
7. Place coil cabinet door bracket between the coil cabinet flanges and the furnace top as shown in Figure 12.
8. Install the screws through the holes provided in order to secure the cooling coil cabinet to the top of the furnace.
9. Slide the furnace on to the floor base. Push the furnace back until the furnace casing is against the rear flange.
10. Secure the furnace to the floor by drilling two holes through the furnace base and the floor base at the right and left front inside corners of the cabinet. Use two screws to secure the furnace to the floor.



**Figure 12: Coil Cabinet Door Bracket Location**

## SECTION VI: LINE VOLTAGE WIRING

### Power Supply

The furnace internal wiring is complete except for the power supply and the thermostat wires. See wiring diagram and/or Tables 6 and 7 for wire size, fuse/circuit breaker size, and ground wire sizes. The use of cable connectors on incoming power supply wires to relieve any strain on wiring is recommended. Follow the steps below to connect the power supply wires.

### Single Circuit Line Wiring Connections

1. Remove the control box cover.
2. Install the cable connectors on the 7/8" dia holes on the right side of the control box.
3. Strip 1/2" of the insulation on the end of each wire.
4. Insert the wires through the holes in the casing and through the cable connectors.
5. Insert the black wire into the L1 screw terminal on the first circuit breaker from the top and tighten the set screw to clamp down on the wire.
6. Insert the white or red wire into the L2 screw terminal on the first circuit breaker down from the top and tighten the set screw to clamp down on the wire.
7. If you are using a single circuit for a 8kW, 10kW, 12kW, 15kW or 20kW model you will need to install a black jumper wire from the L1 terminal on circuit breaker #1 to the L1 terminal on circuit breaker #2 and a white or red jumper wire from the L2 terminal on circuit breaker #1 to

the L2 terminal on circuit breaker #2. Refer to Figure 13 for circuit breaker locations.

Note: The 100 amp 4 Pole Jumper Bar Assembly part number 68BAE001 can be used in place of the jumper wires.

8. Insert the green wire into the ground lug and tighten the set screw.

### Dual Circuit Line Wiring Connections: 8kW, 10kW, 12kW, 15kW or 20kW Models

9. You will need to insert the black wire from the second power supply into the L1 screw terminal on the second circuit breaker down from the top and tighten the set screw to clamp down on the wire.
10. You will need to insert the white or red wire from the second power supply into the L2 screw terminal on the second circuit breaker down from the top and tighten the set screw to clamp down on the wire.
11. You will need to insert both green wires into the ground lug and tighten the set screw.
12. Tighten the screws on the cable connectors until the power supply wires are securely fastened to the connector.

**NOTE:** The furnaces are equipped with either one or two circuit breakers. These circuit breakers protect the wiring inside of the furnace in the event of a short circuit. Additionally, these breakers provide a means of disconnecting the power to the unit. The circuit breakers in the furnace are not meant to protect the branch circuit wiring between the furnace and the home's breaker panel. General wire and breaker sizes are shown in Table 7. If sheathed cable is used, refer to NEC National Electrical Code (NFPA 70) or the Canadian Electrical Code, Part I (CSA C22.1) and local codes for additional requirements concerning supply circuit wiring. Electrical data can be found in Tables 6, 7, and 8.

**IMPORTANT** - All installation on field wiring must be rated at 60°C or higher. Please refer to the wiring diagrams on the furnace or this book for more information.

The 8kW, 10kW, 12kW 15kW and 20kW models may be connected to a single or dual branch circuit.

**IMPORTANT** - Refer to the NEC National Electrical Code (NFPA 70) or the Canadian Electrical Code, Part I (CSA C22.1) and local codes for wiring material requirements.



	ELECTRIC HEATER SIZES					
	5 kW	8 kW	10 kW	12 kW	15 kW	20 kW
Circuit Load - FLA	25.83	38.33	46.50	55.00	67.33	88.16
Minimum Wire Size (90°C)	#10	#8	#8	#6	#4	#3
Minimum Wire Size (75°C)	#10	#8	#6	#6	#4	#2
Minimum Wire Size (60°C)	#10	#8	#6	#4	#3	#1
Ground Wire Size	*	*	*	*	*	*
Max Fuse Amps	35	50	60	60	80	100

**Table 6: Wiring Requirements – Single Branch Circuit**

5kW Single Stage model can only be wired as a single power supply.

8kW, 10kW, 12kW, 15kW and 20kW Two Stage models may have a dual or single power supply.

Single power supply will require circuit breaker jumper bar or a jumper wire.

+ Refer to the National Electrical Code Table 250-95 for Non-Sheathed Conductor Ground Wire.

\* Ground conductor **must be the same size and temperature rating** as the other conductors listed in Table 6.

	ELECTRIC HEATER SIZES									
	8 kW		10 kW		12 kW		15 kW		20 kW	
Circuit Number	1	2	1	2	1	2	1	2	1	2
Circuit Load - FLA	21.67	16.67	25.833	20.833	30	25.0	46.5	20.83	46.5	41.66
Minimum Wire Size (90°C)	#10	#12	#8	#10	#8	#10	#8	#10	#8	#8
Minimum Wire Size (75°C)	#10	#12	#8	#10	#8	#10	#6	#10	#6	#6
Minimum Wire Size (60°C)	#10	#12	#8	#10	#8	#10	#6	#10	#6	#6
Ground Wire Size	*	*	*	*	*	*	*	*	*	*
Max Fuse Amps	30	20	35	25	40	30	60	25	60	50

**Table 7: Wiring Requirements – Dual Branch Circuit**

5kW Single Stage model can only be wired as a single power supply.

8kW, 10kW, 12kW, 15kW, and 20kW Two Stage models may have a dual or single power supply.

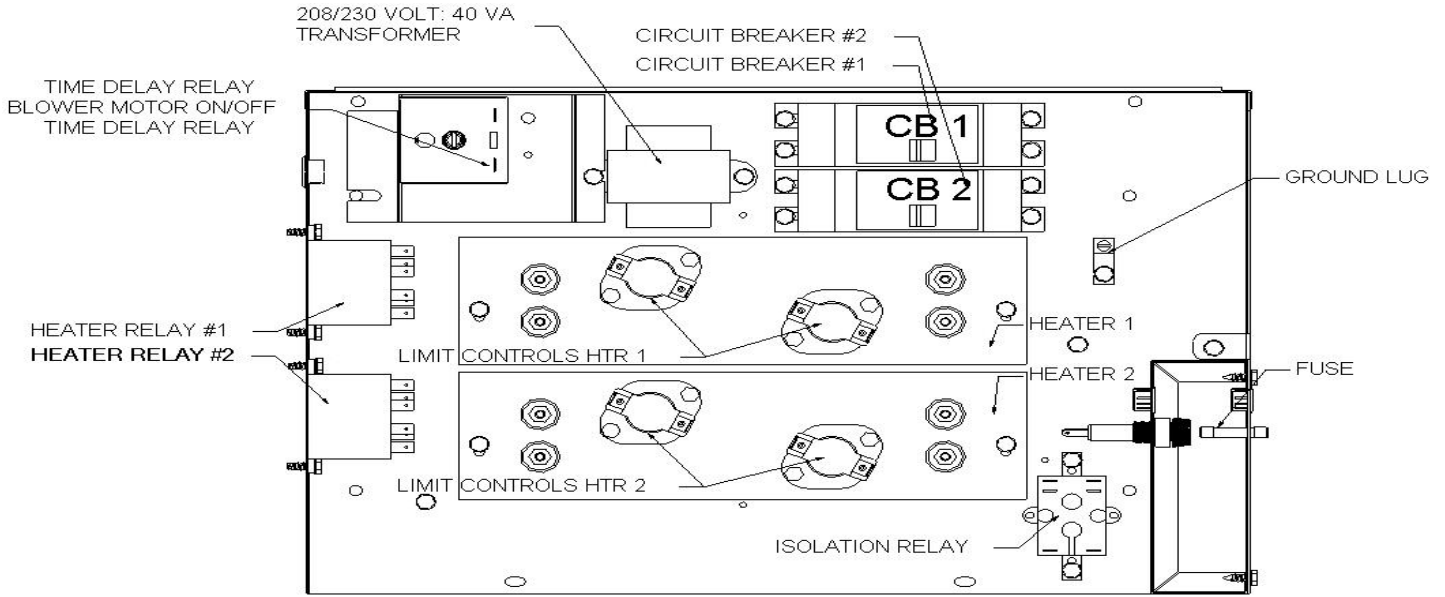
Single power supply will require circuit breaker jumper bar or a jumper wire.

+ Refer to the National Electrical Code Table 250-95 for Non-Sheathed Conductor Ground Wire.

\* Ground conductor **must be the same size and temperature rating** as the other conductors listed in Table 7.

		ELECTRIC HEATER SIZES										
		5 kW		8 kW		10 kW		12 kW		15 kW		20 kW
Branch Circuit Number		1	1	2	1	2	1	2	1	2	1	2
240 VAC, 60 HZ, 1 PH	BTU	17,033	13,651	13,651	17,060	17,060	20,473	20,473	34,067	17,033	34,067	34,067
	kW	4.99	4.000	4.000	4.99992	4.99992	6.000	6.000	10	4.99	10	10
230 VAC, 60 HZ, 1 PH	BTU	15,876	13,080	13,080	16,349	16,349	19,620	19,620	33,686	15,876	33,686	33,686
	kW	4.65	3.833	3.833	4.79159	4.79159	5.750	5.750	9.78	4.65	9.78	9.78
220 VAC, 60 HZ, 1 PH	BTU	14,736	12,511	12,511	15,369	15,369	18,767	18,767	30,222	14,736	30,222	30,222
	kW	4.32	3.667	3.667	4.58326	4.58326	5.500	5.500	8.86	4.32	8.86	8.86
Heating Element Capacity	BTU	17,027	27,263		34,114		40,946		51,149		68,232	
	kW	4.99	7.990		9.998		12		14.9904		19.9968	
Blower Motor @ 240 VAC	AMPS	5.3	5.3		5.3		5.3		5.3	N/A		N/A
	kW	1.032	1.032		1.032		1.032		1.032	N/A	1.032	N/A

**Table 8: Electrical Data**



**Figure 13: Control Box Component Locations**

Casing or cabinet must be permanently grounded in accordance with the National Electrical Code or other applicable codes.

Note: The isolation relay for the PSC and X-13 motors is not optional relay.

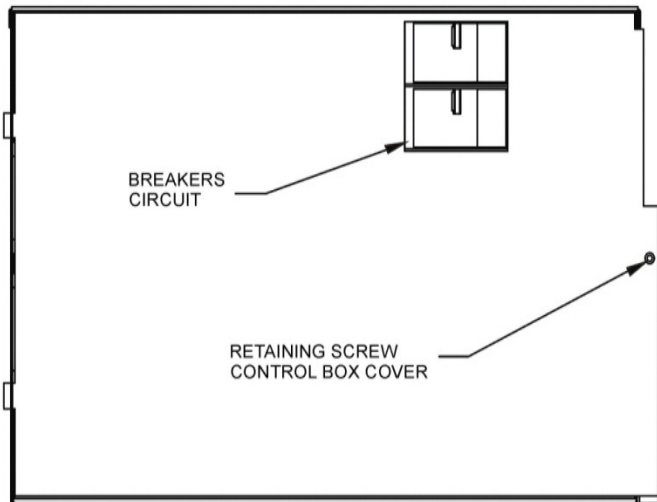
⚠ **WARNING**

For personal safety be sure to turn the electrical power “OFF” at the main entrance (Home Circuit Breaker Box) and at the control box circuit breakers before attempting any service or maintenance operations. Homeowners should never attempt to perform any maintenance which requires opening the furnace control box door. Refer to Figure 20.

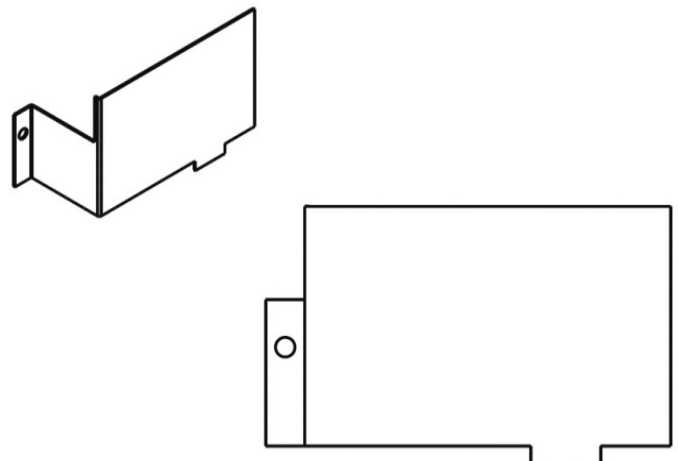
⚠ **WARNING**

This furnace is equipped with a shield that covers the line voltage electrical supply wires and the circuit breaker connections to prevent accidental electrical shock. Be sure to turn the electrical power “OFF” at the main entrance (Home Circuit Breaker Box) and at the control box circuit breakers before removing the shield.

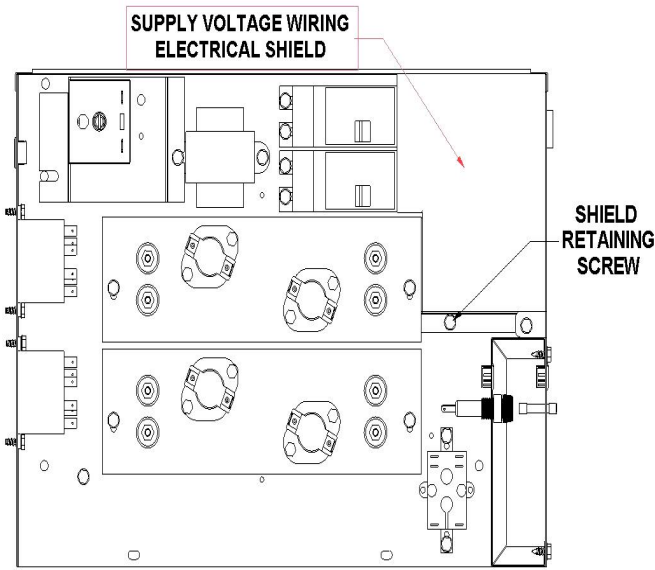
“Refer to Figure 21.



**Figure 14: Control Box Cover and Circuit Breaker Location – Dual Element Box**



**Figure 15: Line Voltage Electrical Shield**



**Figure 16: Line Voltage Electrical Shield Location**

## SECTION VII: THERMOSTAT WIRING AND CONNECTIONS

### Thermostat Wiring

Thermostat wires connect through side of furnace and should be no smaller than 20 gauge. Refer to Table 9 for recommended wire gauge, lengths and maximum current for each wire gauge.

Thermostat Wire Length	Thermostat Wire Gauge	Thermostat Wire Maximum Current
0 - 70 Feet	20	3.0 amps
0 - 112 Feet	18	3.0 amps

**Table 9: Low Voltage Wire Gauge and Max Lengths**

**NOTE:** There is a 3 Amp slow blow bar fuse located on the right side of the control box that protects the 24 VAC circuit. Replace this fuse only with the equivalent 3 Amp fuse. Power wires can enter through the side of the unit or through the auxiliary entrance, located in the bottom of the unit.

When bringing wiring through the bottom of the furnace, cable connectors must be installed to hold wiring in place and to relieve any strain on the wiring.

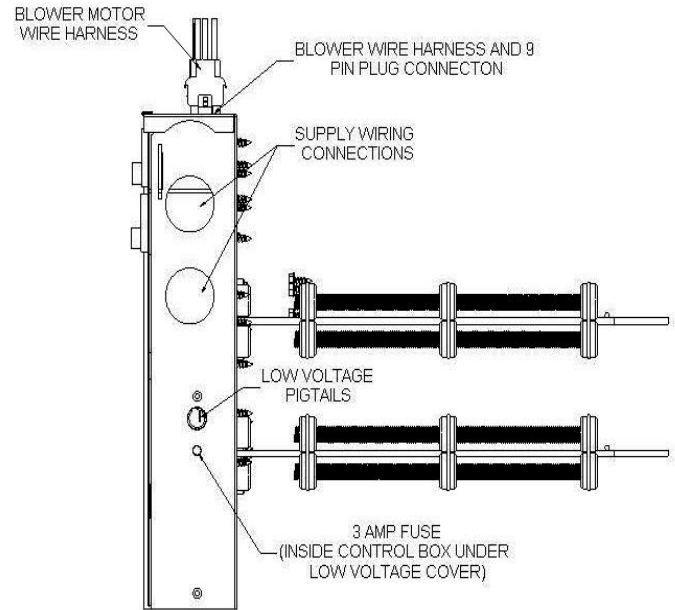
These connectors will also serve as a seal between the furnace and the floor. Thus, additional sealing is not required.

The use of a five-conductor cable from the thermostat to the furnace is recommended for typical heating or heating/cooling installations with a two or three-conductor cable from the furnace to the condenser. The thermostat wire colors and the typical heating/cooling connections are listed in Tables 10 and 11.

A seven-conductor cable from the thermostat to the furnace is recommended for a typical heat pump installation with a five-conductor cable from the furnace to the condenser.

The thermostat wire colors and the typical heat pump heating/cooling connections are listed in Tables 10 and 11.

**NOTE:** If the thermostat cable is on the left side of the furnace move the grommet in the 3/8" hole on the left side of the furnace casing to the 3/8" hole on the right side of the furnace casing. Run the thermostat wire cable through the control box to the low voltage control box. Place the thermostat wire next to the low voltage pigtails. Attach the strain relief to the control box. Do not attach the strain relief to the furnace casing because the sheet metal is too thin.



**Figure 17: Control Box In-coming Power, Low Voltage Wiring, Blower wiring, and Low voltage Fuse Locations**

### Thermostat Installation

The thermostat heat anticipator must be set at 0.4 Amps if the thermostat has a manual heat anticipator adjustment. This setting should be checked at the time of installation.

The thermostat may be a "self-setting" type in which case no heat anticipator setting will be found on the thermostat, eliminating the need for any field adjustment.

Thermostat should be located on an inside wall in an open area to more closely regulate average room air, preferably, where there is air movement back to furnace. Locating height of thermostat is important. Thermostat should be located preferably in a hall way upstream from the furnace return airflow, not within three feet of from any windows and 52 to 66 inches above the floor.

**DO NOT** place the thermostat within three feet of any of the furnace supply air registers

**DO NOT** place the thermostat within three feet of any of the air conditioner supply air registers

Maintenance, operating and/or programming instructions are in the envelope accompanying the thermostat. Give the envelope to the home owner.

## ⚠ CAUTION

Do not locate thermostat within three feet of any of the following items:

- 1 Furnace supply air registers
- 2 Cooling unit supply air registers
- 3 Lights or heat lamps
- 4 Aquariums
- 5 Televisions, stereo, amplifiers, surround sound systems
- 6 Stoves or any cooking appliance
- 7 Refrigerator
- 8 Washer and/or dryer
- 9 Hot water tank
- 10 Sink or near any hot water
- 11 Within 15 feet of any electric space heater
- 12 Within two feet of any sunlight

### Separate Heating and Cooling System; Same Thermostat

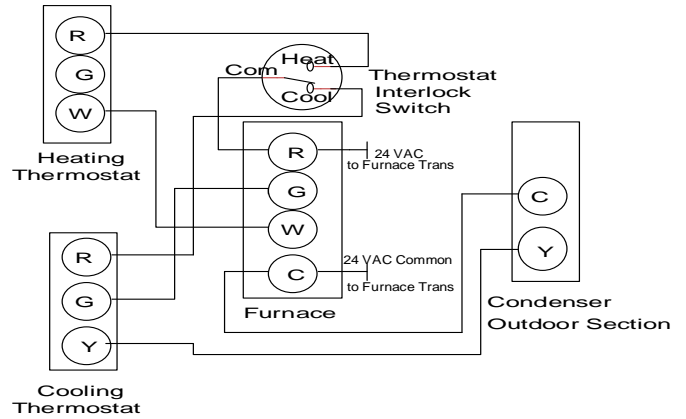
If the furnace and the cooling unit have separate transformers be sure to use a thermostat with isolated heating and cooling contacts "RC" and "RH" to prevent interconnection of Class II 24 Volt Systems Refer to Figures 18 and 19. Cycle furnace and the air conditioner separately to make sure it will operate correctly.

Most new thermostats have separate heating and cooling contacts for use with homes that have a furnace and air conditioner that are completely separate and each have a 24 VAC transformer for system control. These thermostats have a "RC" terminal for cooling and a "RH" terminal for heating. Connect the cooling unit red wire from the "R" terminal on the outdoor unit to the "RC" terminal on the thermostat and the RED furnace pigtail wire to the "RH" terminal on the thermostat. Refer to Figures 20 and 21 for typical low voltage wire connections.

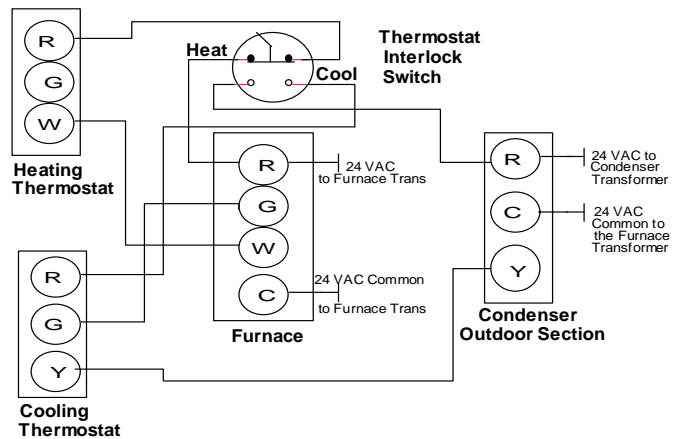
If you have separate furnace and air conditioner with separate transformers and your thermostat does not have the "RC" and "RH" terminals it is recommended that you purchase a new thermostat. If the furnace and air conditioner are both connected to the thermostat "R" terminal it can cause transformer burnout or it can cause either the furnace or air conditioner control system to go into lockout.

### Separate Heating and Cooling Units, Separate Thermostats

If the heating/cooling system in your house is a central heating and cooling system using the furnace transformer but the furnace and the cooling unit are controlled by separate thermostats then the use of a thermostat interlock switch is required in order to prevent the furnace and the air conditioner from operating at the same time. Refer to Figures 18 and 19.



**Figure 18: Separate Thermostats; Separate Furnace and Cooling Unit**

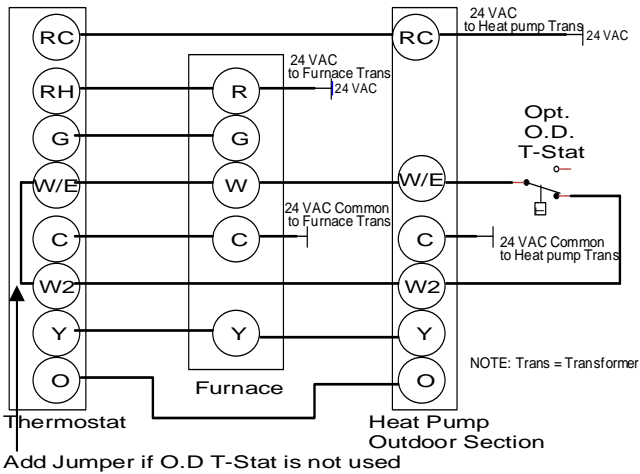


**Figure 19: Separate Thermostats; Separate Transformers, Separate Furnace and Cooling Unit**

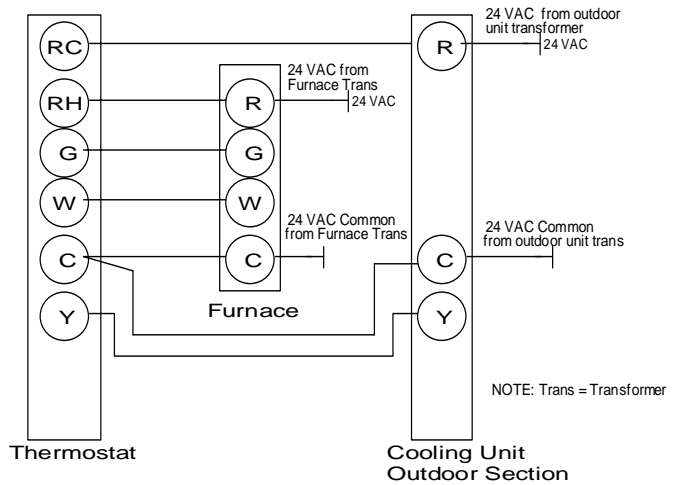
## ⚠ CAUTION

When using separate thermostats a thermostat interlock system must be provided to prevent simultaneous operation of the furnace and air conditioner. Simultaneous operation can result in equipment overheating, equipment damage, and wasted energy.

**Do Not** connect the Yellow wire to the thermostat unless an outdoor unit is installed.



**Figure 20: Same Thermostat; Separate Furnace and Heat Pump Unit with separate transformers**



**Figure 21: Same Thermostat; Separate Furnace and Cooling Unit with separate transformers**

Wire Color	Description	Letter Code	Furnace Pig Tail Wire Connection	Thermostat Connection	Condenser Connections
RED	24 VAC	R	Red	R	N/A
WHITE	Heat (1st Stage Heat)	W	White	W or W1	N/A
GREEN	Indoor Fan	G	Green	G	N/A
YELLOW	Cooling - Stage 1	Y	Yellow	Y or Y1	Y or Y1
BROWN	24 VAC Common	BRN	Brown	C	C

Note: Single stage thermostat on two stage models must connect white (W1) pigtail wire and black (W2) pigtail wire together in low voltage box with W wire from the thermostat.

**Table 10: Recommended Heating / Cooling Thermostat Wire Color Codes and Connections.**

Heat Pump - Heating / Cooling Thermostat Wire Color Code					
Wire Color	Description	Letter Code	Furnace Pig Tail Wire Connection	Thermostat Connection	Condenser Connections
RED	24 VAC	R	Red	R	N/A
WHITE	Heat (1st Stage Heat)	W	White	E	N/A
GREEN	Indoor Fan	G	Green	G	N/A
YELLOW	Cooling - Stage 1	Y	Yellow	Y or Y1	Y or Y1
BROWN	24 VAC Common	BRN	Brown	C	C
BLACK	Heat (Optional 2nd Stage Heat)	BLK	Black	W2	N/A
ORANGE	Heat Pump Reversing Valve Solenoid	O	N/A	O	O
BLUE	Cooling - (Optional 2nd Stage Cooling)	BLU	N/A	Y2	Y2

**Table 11: Recommended Heating / Cooling / Heat Pump Thermostat Wire Color Codes and Connections.**

**Typical Heating/Cooling Thermostat Wiring Connections**

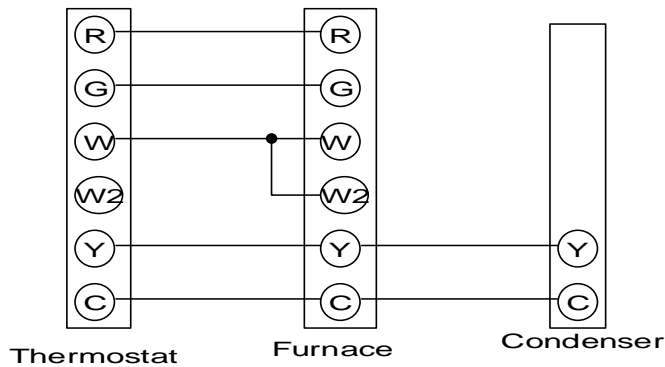
1. Remove lower access door.
2. Remove the control box cover.
3. Install a grommet in the 3/8" hole on the right side of the furnace casing to protect the thermostat wire cable.
4. Strip 1/2" of the insulation on the end of each wire.
5. Insert the wire cable from the thermostat through the grommet in the right side of the casing, thru the 3/8" strain relief in the control box and place the thermostat wire cable next to the low voltage pigtails.
6. Connect the Red (24 VAC) supply thermostat wire to the Red low voltage pigtail wire and secure with a wire nut.
7. Connect the White (First stage heating) thermostat wire to the White low voltage pigtail wire and secure with a wire nut.
8. Connect the Green (Indoor fan) thermostat wire to the Green low voltage pigtail wire and secure with a wire nut.
9. Connect the Yellow (Air conditioning) wire from the thermostat with the Yellow low voltage pigtail wire on the furnace and with the Red wire from the compressor



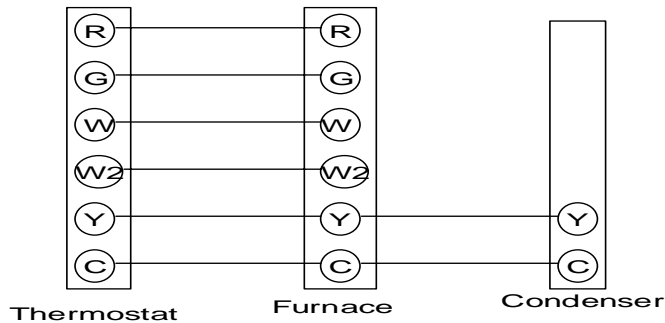
contactor on the condenser unit. Fasten the three wires together securely with a wire nut.

10. Connect the Brown (24 VAC Common) wire from the thermostat with the Brown low voltage pigtail wire on the furnace and with the Brown (Common) wire from the compressor contactor on the outdoor unit. Fasten the three wires together securely with a wire nut.
11. Connect the Black (2<sup>nd</sup> stage heating) thermostat wire to the black low voltage pigtail wire and secure with a wire nut.
12. If a two stage outdoor unit is used then connect the "W2" wire from the outdoor unit to the black wires discussed in step 11 and secure with a wire nut.

**NOTE:** If single stage thermostat is used on a two stage furnace connect the black and the white furnace pigtail wires and the white thermostat wire together; then, secure all three wires with a wire nut. Refer to Figure 22.



**Figure 22: Typical Connections for a Single Stage Heating/Cooling Digital Thermostat with Two Stage Furnace**



**Figure 23: Typical Two Stage Heating/Cooling Digital Thermostat Connections**

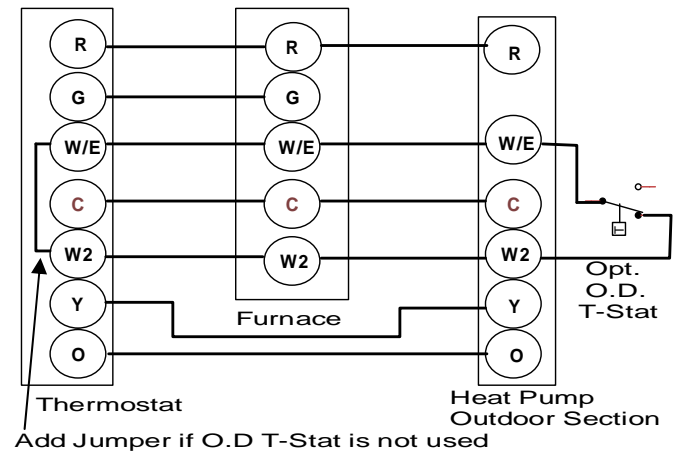
#### Typical Heat Pump - Heating/Cooling Thermostat Wiring Connections

1. Remove the lower access panel.
2. Remove the control box cover.
3. Install a grommet in the 3/8" dia hole on the right side of the furnace casing to protect the thermostat wire cable.
4. Strip 1/2" of the insulation on the end of each wire.
5. Insert the wire cable from the thermostat through the grommet in the right side of the casing, thru the 3/8"

grommet in the control box and place the thermostat wire cable next to the low voltage pigtails.

6. Connect the Red (24 VAC) supply wire from the thermostat to the Red low voltage pigtail wire on the furnace and with the Red wire from the "R" terminal on the outdoor unit. Fasten the three wires together securely with a wire nut.
7. Connect the White (first stage heating) wire from the thermostat to the White low voltage pigtail wire on the furnace and the White wire from the "E" terminal on the outdoor unit. Fasten the three wires together securely with a wire nut.
8. Connect the Green (indoor fan) wire from the thermostat to the Green low voltage pigtail wire on the furnace and securely fasten the two wires together with a wire nut.
9. Connect the Red wire from the "Y" terminal on the outdoor unit. Fasten the three wires together securely with a wire nut.
10. Connect the (24 VAC Common) wire from the thermostat with the Brown low voltage pigtail wire on the furnace and with the Brown (Common) wire from the "C" terminal on the outdoor unit. Fasten the three wires together securely with a wire nut.
11. Connect the Orange (Reversing Valve Solenoid) wire from the thermostat with the Orange wire from the "O" terminal on the condenser unit. Fasten the two wires together securely with a wire nut.
12. Connect the Black (2<sup>nd</sup> stage heating) thermostat wire to the black low voltage pigtail wire and secure with a wire nut.
13. If a two stage outdoor unit is used then connect the "W2" wire from the outdoor unit to the black wires discussed in step 12 and secure with a wire nut. Refer to Figure 24.

**NOTE:** If single stage thermostat is used on a two stage furnace connect the black and the white furnace pigtail wires and the white thermostat wire together; then, secure all three wires with a wire nut.



**Figure 24: Typical Heat Pump / Heating / Cooling Connections**

## SECTION VIII: MOTOR, BLOWER AND FURNACE STARTUP SECTION

### WARNING

To avoid personal injury or property damage, make certain that the motor leads cannot come into contact with non-insulated metal components of the unit.

### Selecting the X-13 Blower Speed

This furnace uses the new X-13 high efficiency motor. This motor operates on 240 VAC. The motor speed tap are 24 VAC, 0.03 amps, 60 Hz, 1 PH. The speed taps can be changed by removing the black wire from the isolation relay terminal #4 or the red wire from the isolation relay terminal #6 and connecting either the blue, orange, or purple wire to the terminal. Table 12 shows the X-13 motor lead connection labeling and the connection definitions.

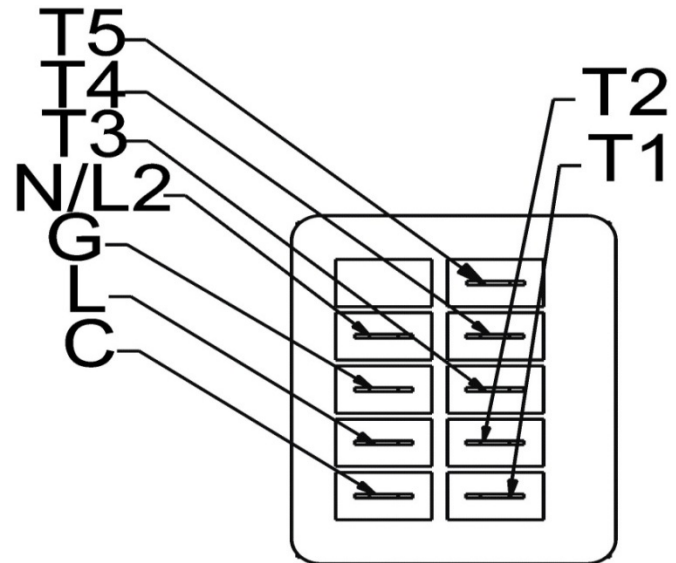
Terminal	Connection
C	Speed Tap Common - 24 VAC Common
L	Supply Voltage to Motor - 240 VAC Line 1
G	Ground Connection
N	Supply Voltage to Motor - 240 VAC Line 2
1	Low Speed Tap - 24 VAC
2	Med-Low Speed Tap - 24 VAC
3	Medium Speed Tap - 24 VAC
4	Med-High Speed Tap - 24 VAC
5	High Speed Tap - 24 VAC

**Table 12: X-13 Motor Terminal Connections**

**Total 24 VAC circuit amps are 0.14 amps.**

### Change Motor Speeds

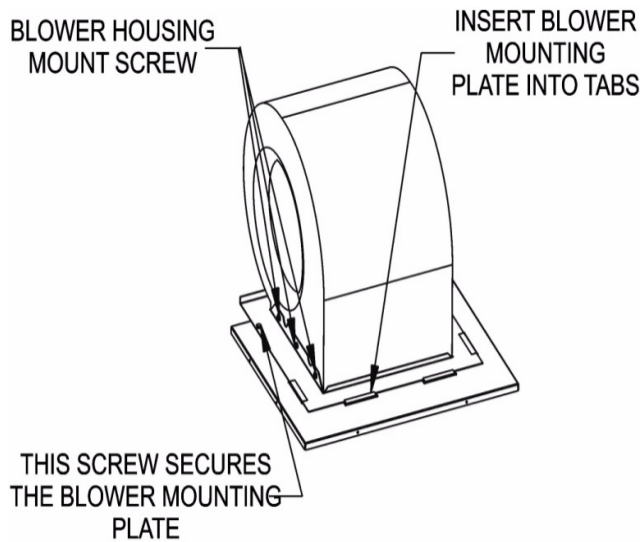
1. Turn off **all** electrical supply circuits to the furnace at the main service (House Circuit Breaker) panel.
2. Remove furnace front door and switch furnace circuit breaker(s) to "OFF".
3. Disconnect the wire from the isolation relay terminal and reconnect the desired wire to the terminal. Refer to Table 12 for speed tap wire colors
4. Turn the circuit breakers on and reinstall furnace front door.
5. Turn on **all** electrical supply circuits to the furnace at the main service (House Circuit Breaker) panel.



**Figure 25: X-13 Motor Terminals**

### Replacing the Blower Motor

1. Turn off all electrical supply circuits to the furnace at the main service panel.
2. Remove furnace front door and switch furnace circuit breaker(s) to "OFF"
3. Disconnect the plastic wire plug that has the wires that go to the motor terminals from the right side of the control box.
4. Remove the screw on the right side of the blower mounting plate.
5. Slide the blower out of the blower compartment and set on the floor.
6. Remove the wires from the terminals. Be sure to write down the motor terminal identifier and wire color so the wires do not get mistakenly placed on the wrong terminals.
7. Remove the blower motor from the mounting bracket by removing the screws on the sides of the blower that secure the blower to the bracket.
8. Insert the new blower motor into the blower mounting bracket and insert the screws.
9. Connect the wires to the same terminals on this motor that they were connected to on the motor that was removed.
10. Slide the blower assembly into the blower deck and insert the screw on the right side of the mounting bracket.
11. Connect the pin plug to the mating pin plug on the right side of the control box.
12. Switch the circuit breakers to ON and replace furnace front door.
13. Turn on all electrical supply circuits to the furnace at the main service (House Circuit Breaker) panel.
14. Set the thermostat to the desired temperature.



**Figure 26: Blower Assembly and Blower Deck**

## SECTION IX: FINAL SYSTEM CHECKOUT

1. Refer to appropriate wiring diagram and recheck all wiring connections. Ensure that all wiring connections are tight.
2. Check blower motor connectors for proper connection.

3. If the control box cover is removed; reinstall control box cover.
4. Switch circuit breaker(s) to "ON" position.
5. Switch the furnace circuit breakers in the main service (House Circuit Breaker) panel to the ON position.
6. Set the blower selector switch to the ON position and check all of the duct connections for air leaks. Seal any leaks found.
7. Set the blower selector switch to the AUTO position.
8. Set the thermostat above the room temperature to check for proper operation of the electric heaters.
9. Set the thermostat to the desired temperature.

### Thermostat Heat Anticipator

Some thermostats have a heat anticipator setting that must be set to the settings shown below in order to function correctly. If the heat anticipator setting is too low the furnace will short cycle. If the heat anticipator setting is too high the furnace will run long cycles thus causing the temperature to overrun the temperature setting. This will cause the home owner to feel hot by the time the blower completes its cycle; then cold, by the time the furnace cycles on again.

The heat anticipator should be set to the following settings.  
For 5kW, 8kW, 10kW, 12kW 15kW and 20 kW Models Set at 0.4

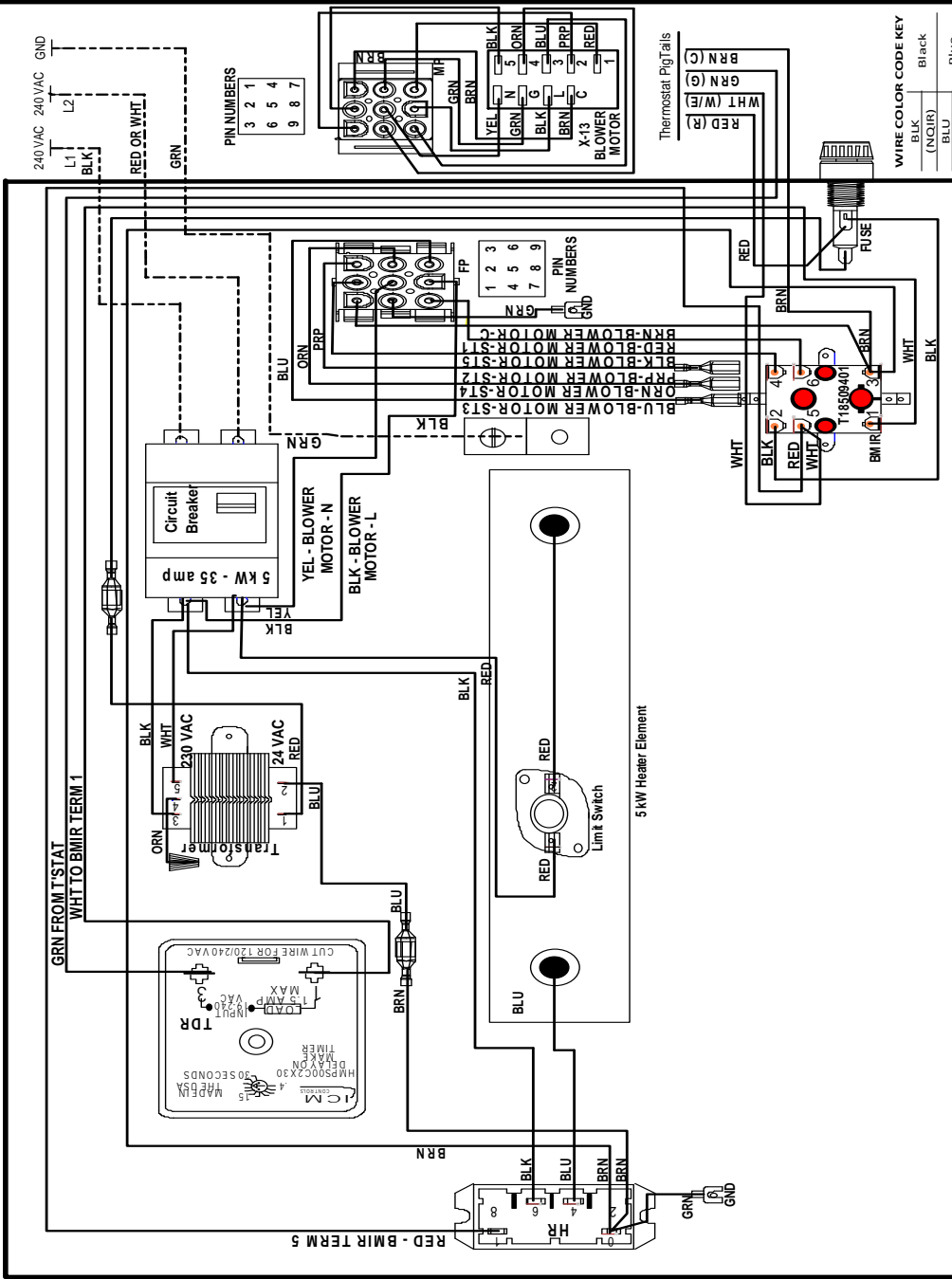
Factory Speed Tap Settings @ .3 ESP with Filter and Coil						
Series Model	Sp Tap	Nom-Tons	CFM	Coil Range (See Coil Face Velocity Chart Below)	Max kW	Blower Setting
E30A2DxxxAAA or E30A2DxxxABB	Low	2.0-2.5	950	96-Series, 97-Series, 98-Series	12	Factory Setting High
	Med	2.5-3.0	1100		15	
	High	3.0-3.5	1400		20	
E30B3DxxxAAA or E30B3DxxxABB	T-1	1.5	580	96-Series, 97-Series, 98-Series	5	Factory Setting T-5
	T-2	2.0	750		8	
	T-3	2.5	925		8	
	T-4	3.0	1120		10	
	T-5	3.5	1300		12	
E30B4DxxxAAA or E30B4DxxxABB	T-1	2.0	800	96-Series (Do Not use T-5 w/96-), 97-Series, 98-Series	12	Factory Setting T-4
	T-2	2.5	950		15	
	T-3	3.0	1120		15	
	T-4	3.5	1260		17	
	T-5	4.0	1380		20	
E30B5DxxxAAA or E30B5DxxxABB	T-1	3.0	1080	98-Series only	17	Factory Setting T-3
	T-2	3.5	1300		20	
	T-3	4.0	1440		20	
	T-4	4.0	1520		20	
	T-5	5.0	1680		20	
<b>E30A2**** 1/2 HP PSC Motor</b> <b>E30B3**** 1/3 HP X-13 Motor</b> <b>E30B4**** 1/2 HP X-13 Motor</b> <b>E30B5**** 3/4 HP X-13 Motor</b> (+) Metering device, Piston, TXV (++) Refrigerant Connection, 0P, 2P, 3P, 4P or 6P xxx Designates Kilowatts, 015 = 15kW CFM Shown with Dry Coil and Filter in place, Wet Coil Correction 4-6%				Electric Furnace temperature rise (TR) can be used to determine air flow delivered. This result can then be used to determine FPM velocity across the coil face area using the chart below. Set Furnace (Isolate the Heat Pump, just operate the Furnace) to run all the heater strips and then check return air and supply air temperature. Make sure all strips are operating. The difference is the TR <b>CFM = (kW x 3412) x (Voltage Correction Less Than 240V) x 1.08 / TR</b> Example: CFM = (15kW x 3412) x .96 x 1.08 / 56 TR 51180 x .96 x 1.08 / 56 = 948 CFM		Voltage Correction < 240V .96 = 230 Volts .92 = 220 Volts .87 = 208 Volts
Coil Face Velocity Formula & Maximum Allowances when using the X-13 Motor						
Coil Series	CFM	Face Area	Nominal FPM	Coil Models (See Note Below)	Max FPM	Note
96-Series	750	3.11	242	96-8(Z,5,G,8,W)2(+)-(++)P	300	<b>WARNING</b> Exceeding these nominal and / or maximum allowances may cause water blow off from the coil, which; may damage furnace, void furnace warranty and limit liability from those damages
	925	3.32	279	96-(R,M)(2,3,4)4(+)-(++)P	300	
	1120	3.56	315	96-8(Z,2,3,4,5,G,8,W)(3,5)(+)-(++)P	320	
	1300	4.06	321	96-(8,R,M)(Z,2,3,4,5,G,8,W)(4,6)(+)-(++)P	325	
97-Series	1380	4.44	311	97-(8,R,M)(Z,2,3,4,5,G,8,W)(5,7)(+)-(++)P	325	
98-Series	1440	5.33	270	98-(8,R,M)(Z,2,3,4,5,G,8,W)(7,10)(+)-(++)P	330	
	1520	5.78	263	98-(8,R,M)(Z,2,3,4,5,G,8,W)(8,11)(+)-(++)P	330	
	1520	6.22	245	98-(8,R,M)(Z,2,3,4,5,G,8,W)(9,12)(+)-(++)P	330	
	1680	6.67	252	98-(8,R,M)(Z,2,3,4,5,G,8,W)(10,13)(+)-(++)P	330	
	1680	7.11	237	98-(8,R,M)(Z,2,3,4,5,G,8,W)(11,14)(+)-(++)P	330	
	1680	7.56	223	98-(8,R,M)(Z,2,3,4,5,G,8,W)(12,15)(+)-(++)P	330	
	1680	8.00	210	98-(8,R,M)(Z,2,3,4,5,G,8,W)(13,17)(+)-(++)P (See Example)	330	
Air Velocity Formula: CFM / Coil Face Area = Air FPM.				Example of Coil Complete Model # 98-8G13Y-0P.		
<b>Note: When setting up the speed tap on the E30B furnaces with the X-13 motor the coil face area must be taken into account so as not to exceed 330 Feet Per Minute of air across the coil. Anything higher will blow water off the coil and will be the responsibility of the installing contractor.</b>						

Table 13: X-13 Motor Factory Speed Tap Settings

SECTION X: WIRING DIAGRAMS

ELECTRIC FURNACE WIRING DIAGRAM - X-13 MOTOR

CONNECTION DIAGRAM



Blower Motor Terminals and Speed Taps

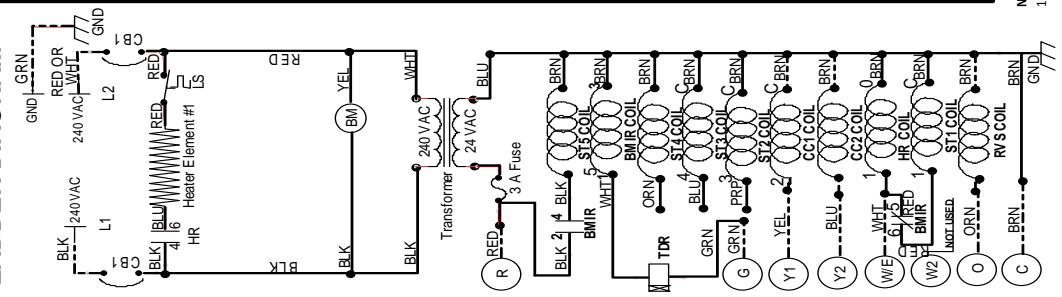
- L1 3/16" Spade Terminal - Line 1
- L2/N 3/16" Spade Terminal - Line 2
- Com 3/16" Spade Terminal - 24 VAC Common
- GND 1/4" Spade Terminal - Ground
- T1 1/4" Spade Terminal - ST1 = Low Speed
- T2 1/4" Spade Terminal - ST2 = Med-Low Speed
- T3 1/4" Spade Terminal - ST3 = Medium Speed
- T4 1/4" Spade Terminal - ST4 = Med-High Speed
- T5 1/4" Spade Terminal - ST5 = High Speed

Control Box

- LEGEND
- L1 208/230 VAC Line 1
  - L2 208/230 VAC Line 2
  - IS Limit Switch
  - MP Male Plug
  - ST1 Low Speed Tap - X-13 Blower Motors
  - ST2 Med Low Speed Tap - X-13 Blower Motors
  - ST3 Medium Speed Tap - X-13 Blower Motors
  - ST4 Med-High Speed Tap - X-13 Blower Motors
  - ST5 High Speed Tap - X-13 Blower Motors
  - RVS Reversing Valve Solenoid
  - ..... Field Wiring
  - Factory Wiring

- NOTES
1. ALL FIELD WIRING MUST BE PER THE FOLLOWING:
    - A. National Electrical Code (NEC) and / or
    - B. Canadian Electrical Code (CEC) and / or
    - C. State, County, Local, Regional, or City Codes.
  2. If any of the original wiring must be replaced, replace the wire with wire that has the same temperature rating of 221°F (105°C)
  3. Only use copper conductors for field wiring.
  4. All replacement components must be properly grounded.
  5. Provide circuit breaker sized to protect the wiring from the main electrical service entrance to the circuit breakers in the unit control box.
  6. Motors have an internal over-temperature protection.

LADDER DIAGRAM



**- CAUTION -**  
Open all disconnects before servicing this unit

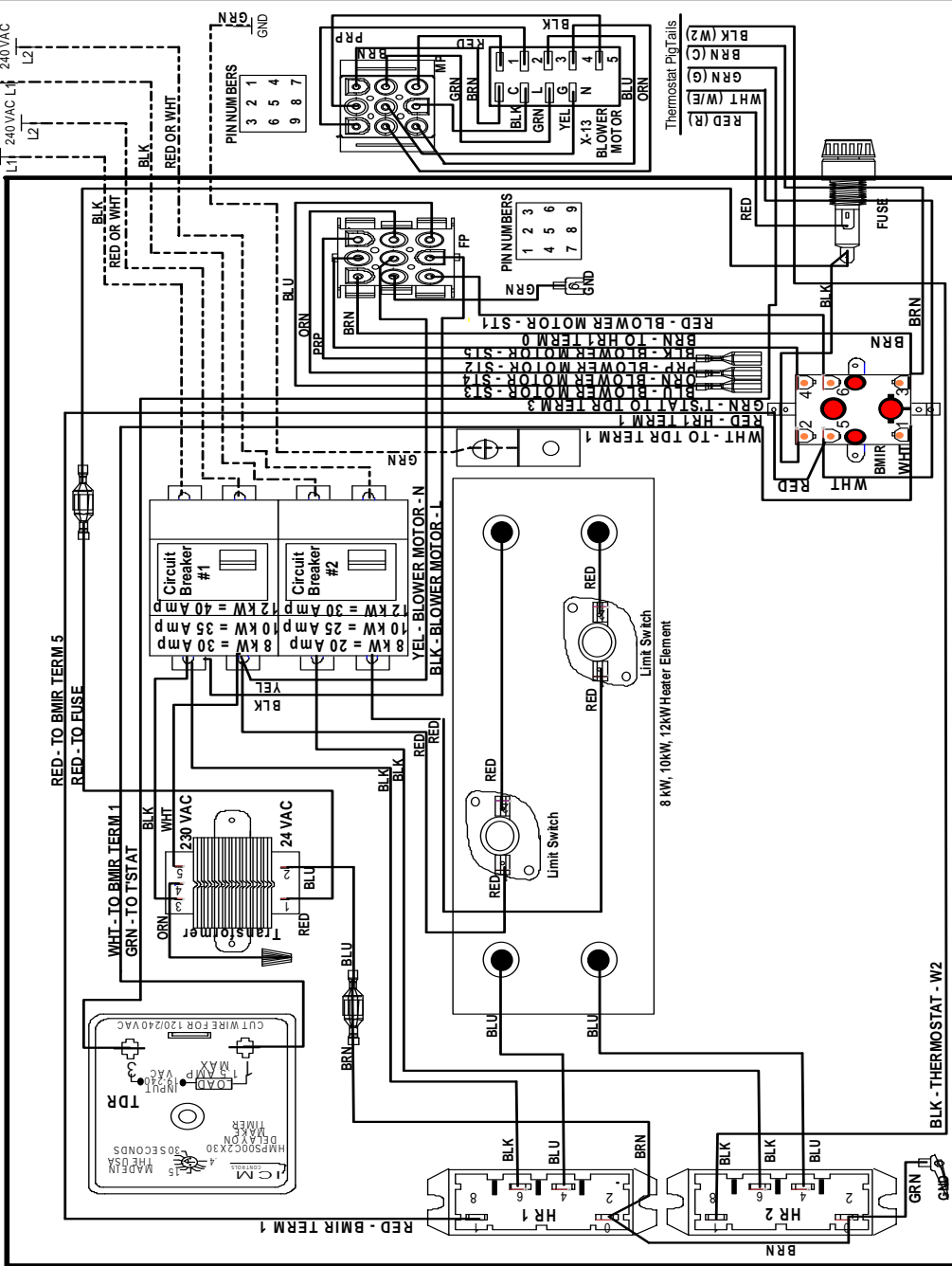
Figure 27: 5 kW Electric Heater Wiring Diagram with an X-13 blower motor.

NOTE: IF ANY OF THE ORIGINAL WIRE SUPPLIED WITH THIS UNIT MUST BE REPLACED. IT MUST BE REPLACED WITH TYPE 105°C THERMOPLASTIC OR ITS EQUIVALENT.

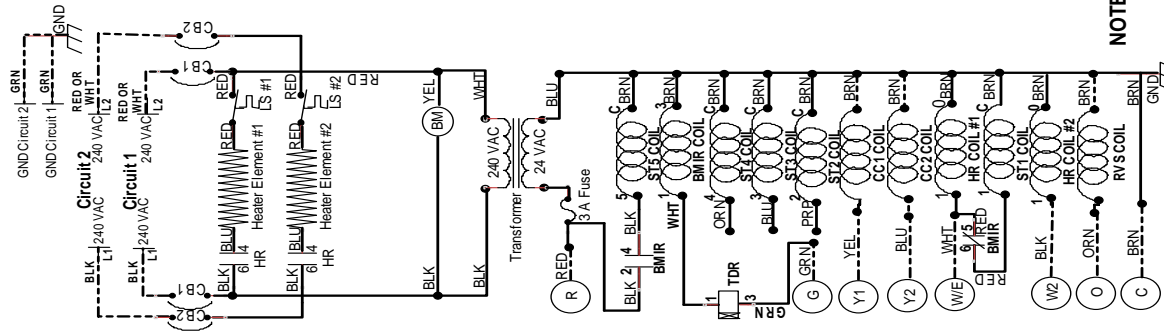


# ELECTRIC FURNACE WIRING DIAGRAM - X-13 MOTOR

## CONNECTION DIAGRAM



## LADDER DIAGRAM



### WIRE COLOR KEY

BLK (BLU)	Black
BLU (BLU)	Blue
RED	Red
YEL	Yellow
WHT	White
BRN	Brown
GRN	Green
PRP	Purple
ORN	Orange

### LEGEND

BM	Blower Motor
BMIR	Blower Motor Isolation Relay
CB	Circuit Breaker
CC1	Compressor Contactor Y1
CC2	Compressor Contactor Y2
FP	9 Pin Female Plug
HR	Heater Relay
IT	Transformer, 40 VA
TDR	Blower Cooling Time Delay
LS	Limit Switch
MP	9 Pin Male Plug
ST1	BM Speed Tap #1
ST2	BM Speed Tap #2
ST3	BM Speed Tap #3
ST4	BM Speed Tap #4
ST5	BM Speed Tap #5
RVS	Reversing Valve Solenoid
---	Field Wiring
---	Factory Wiring

### NOTES

- All field wiring must be per the following:  
A. National Electrical Code (NEC) and / or  
B. Canadian Electrical Code (CEC) and / or  
C. State, County, Local, Regional, or City Codes.
- If any of the original wire must be replaced, then replace the wire with wire that has the same temperature rating of at least 221 degF (105 degC).
- Only use copper conductors for field wiring.
- All replacement components must be properly grounded.
- Provide circuit breakers sized to protect wiring from main service to the control box circuit breakers.
- Motors have internal over-temperature protection.

**- CAUTION -**  
Open all disconnects before servicing this unit!

**Blower Motor Terminals and Speed Taps**  
L1 = 3/16" Spade Terminal  
L2/N = 3/16" Spade Terminal  
Com = 3/16" Spade Terminal  
GND = 1/4" Spade Terminal  
T1 = 1/4" Spade Terminal - ST1 = Lo Speed  
T2 = 1/4" Spade Terminal - ST2 = Med-Low Speed  
T3 = 1/4" Spade Terminal - ST3 = Medium Speed  
T4 = 1/4" Spade Terminal - ST4 = Med-Hi Speed  
T5 = 1/4" Spade Terminal - ST5 = Hi Speed

WIRING DIAGRAM # 61CC0031

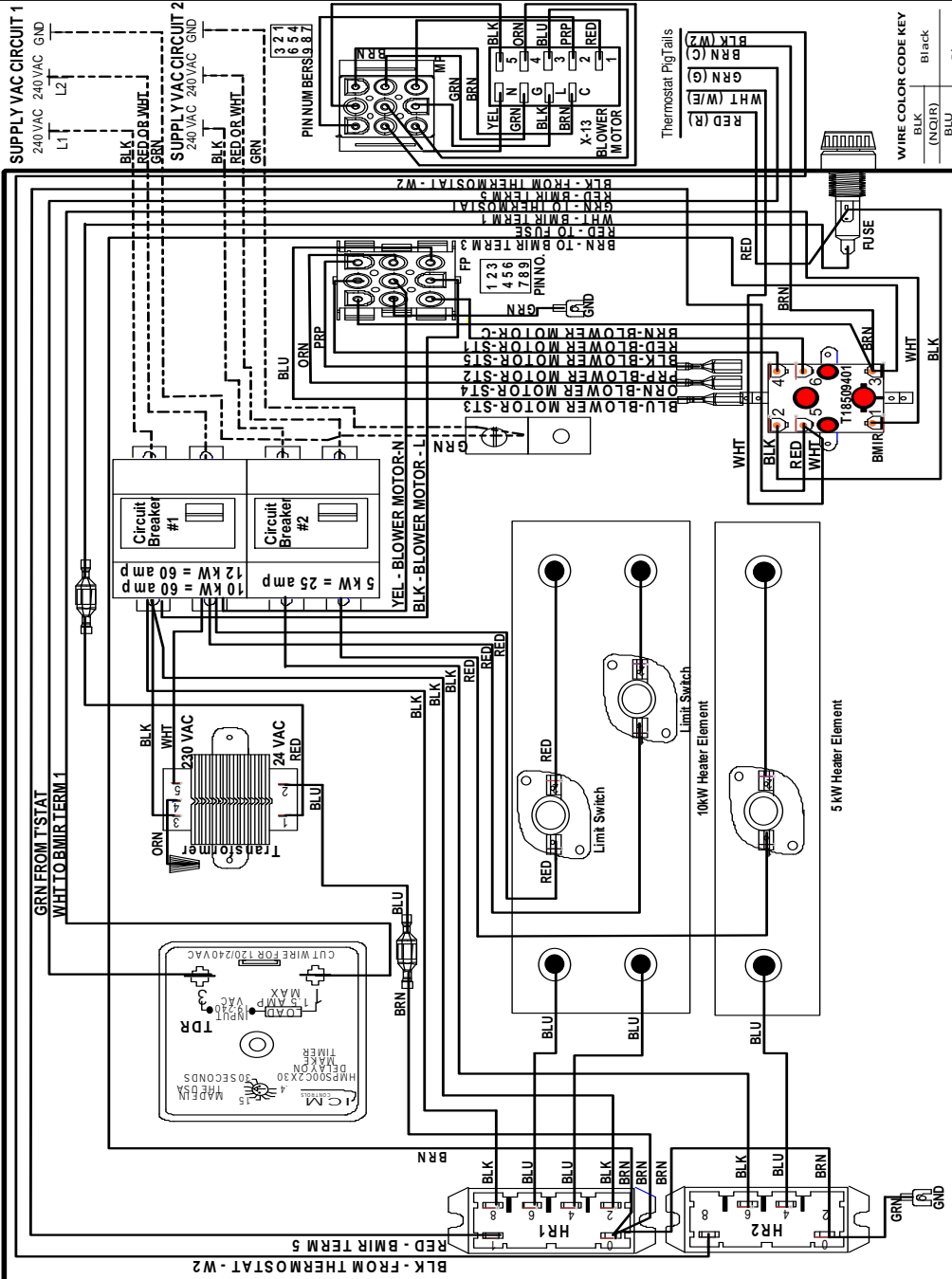
FOR THE 8 kW, 10 kW, 12 kW TWO STAGE ELECTRIC HEATERS

Figure 28: 8 kW / 10 kW / 12 kW Two Stage Electric Heater Wiring Diagram with a X-13 blower motor.

NOTE: IF ANY OF THE ORIGINAL WIRE SUPPLIED WITH THIS UNIT MUST BE REPLACED. IT MUST BE REPLACED WITH TYPE 105°C THERMOPLASTIC OR ITS EQUIVALENT.

# ELECTRIC FURNACE WIRING DIAGRAM - X-13 MOTOR

## CONNECTION DIAGRAM



**WIRE COLOR CODE KEY**

BLK	Black
(NOIR)	Black
BLU	Blue
(BLEU)	Blue
RED	Red
(ROUG)	Red
YEL	Yellow
(JAUN)	Yellow
WHT	White
(BLANC)	White
BRN	Brown
(BRUN)	Brown
GRN	Green
(VERT)	Green
PRP	Purple
(POURPRE)	Purple
ORN	Orange
(OR)	Orange

**Blower Motor Terminals and Speed Taps**

L1	3/16" Spade Terminal - Line 1
L2/N	3/16" Spade Terminal - Line 2
Com	3/16" Spade Terminal - 24 VAC Common
GND	1/4" Spade Terminal - Ground
T1	1/4" Spade Terminal - ST1 = Low Speed
T2	1/4" Spade Terminal - ST2 = Med-Low Speed
T3	1/4" Spade Terminal - ST3 = Medium Speed
T4	1/4" Spade Terminal - ST4 = Med-High Speed
T5	1/4" Spade Terminal - ST5 = High Speed

**Control Box**

LEGEND

BM	Blower Motor
BMIR	Blower Motor Isolation Relay
CAP	Capacitor
CB	Circuit breaker
CC1	COMPRESSOR CONTACTOR (V1)
CC2	COMPRESSOR CONTACTOR (V2)
FP	Female Plug
GND	Ground
HR	Heater Relay
IT	Transformer - 40 VA
TDR	Blower Cooling Time Delay Relay

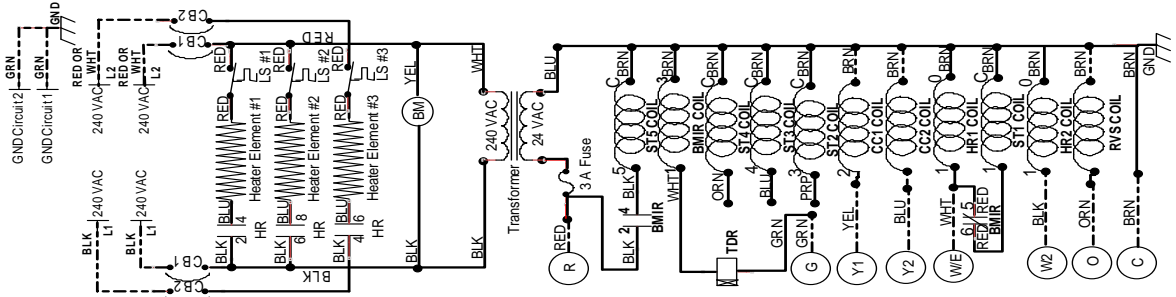
**Blower Motor Terminals and Speed Taps**

L1	208/230 VAC Line 1
L2	208/230 VAC Line 2
LS	Limit Switch
MP	Male Plug
ST1	Low Speed Tap - X-13 Blower Motors
ST2	Med Low Speed Tap - X-13 Blower Motors
ST3	Medium Speed Tap - X-13 Blower Motors
ST4	Med-High Speed Tap - X-13 Blower Motors
ST5	High Speed Tap - X-13 Blower Motors
RVS	Reversing Valve Solenoid

**NOTES**

- ALL FIELD WIRING MUST BE PER THE FOLLOWING:
  - National Electrical Code (NEC) and / or
  - Canadian Electrical Code (CEC) and / or
  - State, County, Local, Regional, or City Codes.
- If any of the original wiring must be replaced; replace the wire with wire that has the same temperature rating of 221°F (105°C)
- Only use copper conductors for field wiring.
- All replacement components must be properly grounded.
- Provide circuit breaker sized to protect the wiring from the main electrical service entrance to the circuit breakers in the unit control box.
- Motors have an internal over-temperature protection.

## LADDER DIAGRAM



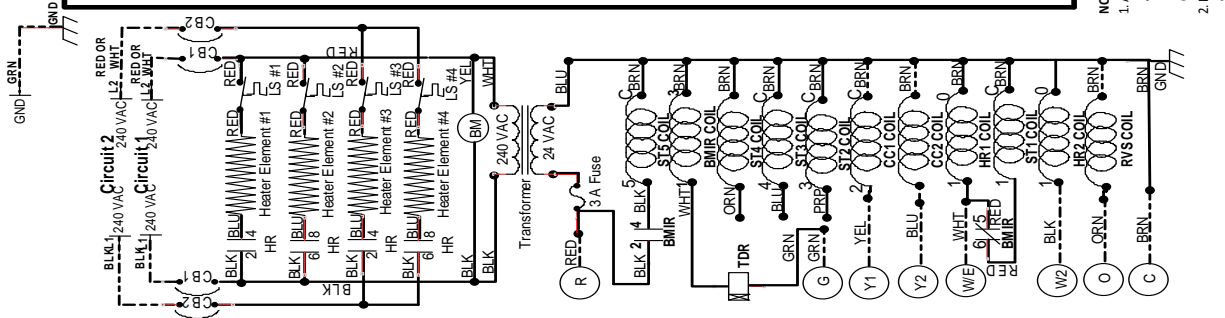
**- CAUTION -**  
Open all disconnects before servicing this unit

Figure 29: 15 kW Electric Heater Wiring Diagram with a X-13 blower motor.

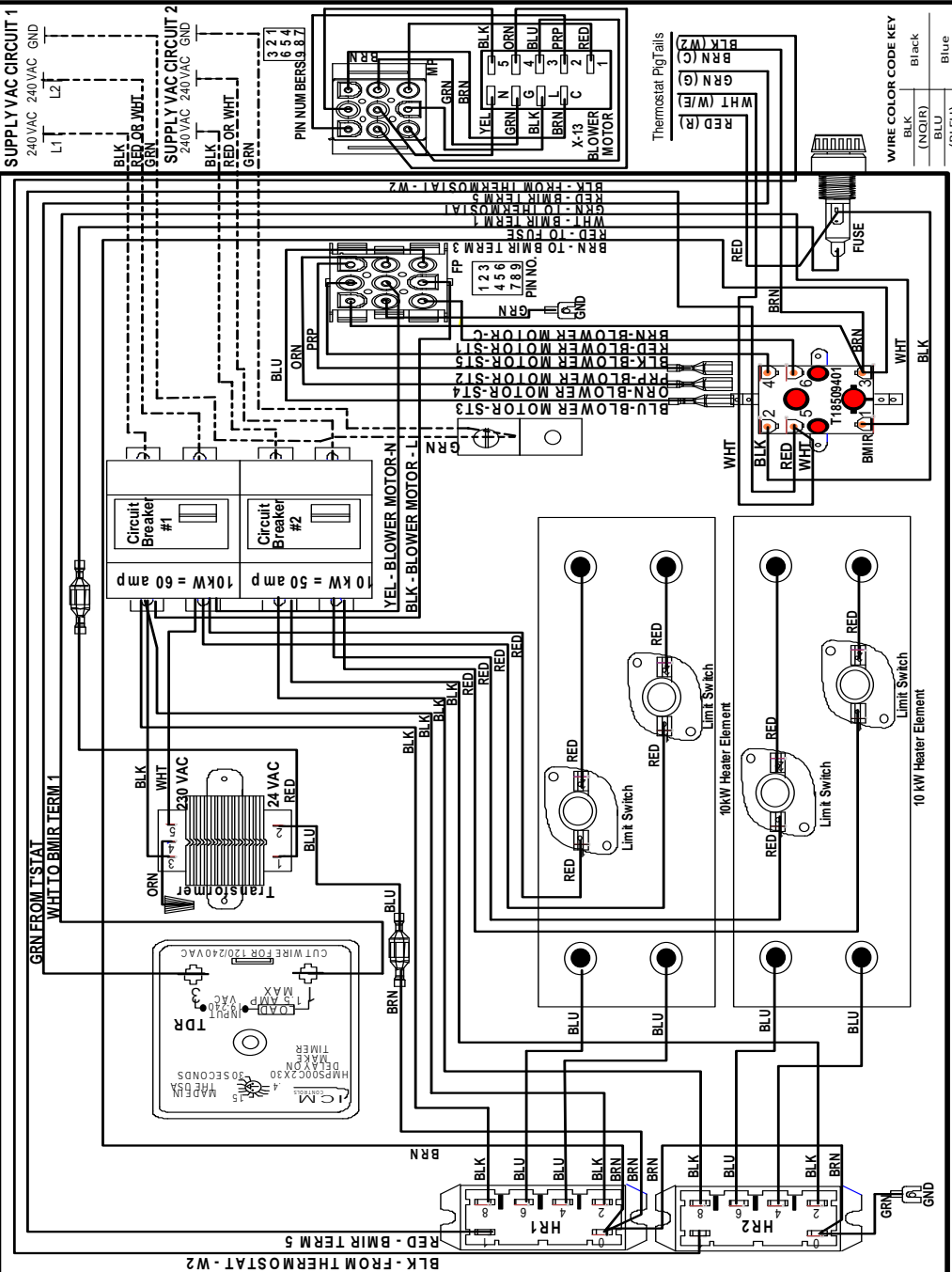
**NOTE: IF ANY OF THE ORIGINAL WIRE SUPPLIED WITH THIS UNIT MUST BE REPLACED. IT MUST BE REPLACED WITH TYPE 105°C THERMOPLASTIC OR ITS EQUIVALENT.**

# ELECTRIC FURNACE WIRING DIAGRAM - X-13 MOTOR

## LADDER DIAGRAM



## CONNECTION DIAGRAM



**WIRE COLOR CODE KEY**

BLK	Black
(NQR)	Blue
(BLU)	Red
(ROUG)	Yellow
(JALIN)	White
(BLANC)	Brown
(BRUN)	Green
(VERT)	Purple
(POLPRE)	Orange
(ORA)	

**Blower Motor Terminals and Speed Taps**

L1	3/16" Spade Terminal - Line 1
L2/N	3/16" Spade Terminal - Line 2
Com	3/16" Spade Terminal - 24 VAC Common
GND	1/4" Spade Terminal - Ground
T1	1/4" Spade Terminal - ST1 = Low Speed
T2	1/4" Spade Terminal - ST2 = Med-Low Speed
T3	1/4" Spade Terminal - ST3 = Medium Speed
T4	1/4" Spade Terminal - ST4 = Med-High Speed
T5	1/4" Spade Terminal - ST5 = High Speed

**Control Box**

**LEGEND**

BM	Blower Motor
BMR	Blower Motor Isolation Relay
CAP	Capacitor
CB	Circuit Breaker
CC1	COMPRESSOR CONTACTOR (Y1)
CC2	COMPRESSOR CONTACTOR (Y2)
FP	Female Plug
ST1	Med Low Speed Tap - X-13 Blower Motors
ST2	Med Low Speed Tap - X-13 Blower Motors
ST3	Med High Speed Tap - X-13 Blower Motors
ST4	High Speed Tap - X-13 Blower Motors
ST5	Reversing Valve Solenoid
HR	Heater Relay
IT	Transformer - 40VA
TDR	Blower Cooling Time Delay Relay

**NOTES**

- ALL FIELD WIRING MUST BE PER THE FOLLOWING:
  - National Electrical Code (NEC) and / or
  - Canadian Electrical Code (CEC) and / or
  - State, County, Local, Regional, or City Codes.
- If any of the original wiring must be replaced; replace the wire with wire that has the same temperature rating of 221°F (105°C).
- Only use copper conductors for field wiring.
- All replacement components must be properly grounded.
- Provide circuit breaker sized to protect the wiring from the main electrical service entrance to the circuit breakers in the unit control box.
- Motors have an internal over-temperature protection.

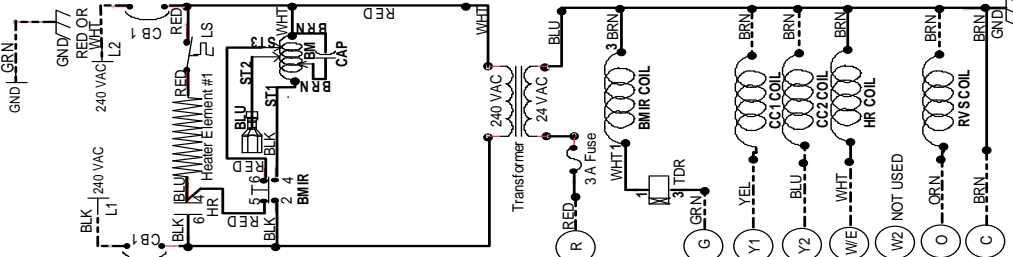
**- CAUTION -**  
Open all disconnects before servicing this unit.

Figure 30 20 kW Electric Heater Wiring Diagram with a X-13 blower motor.

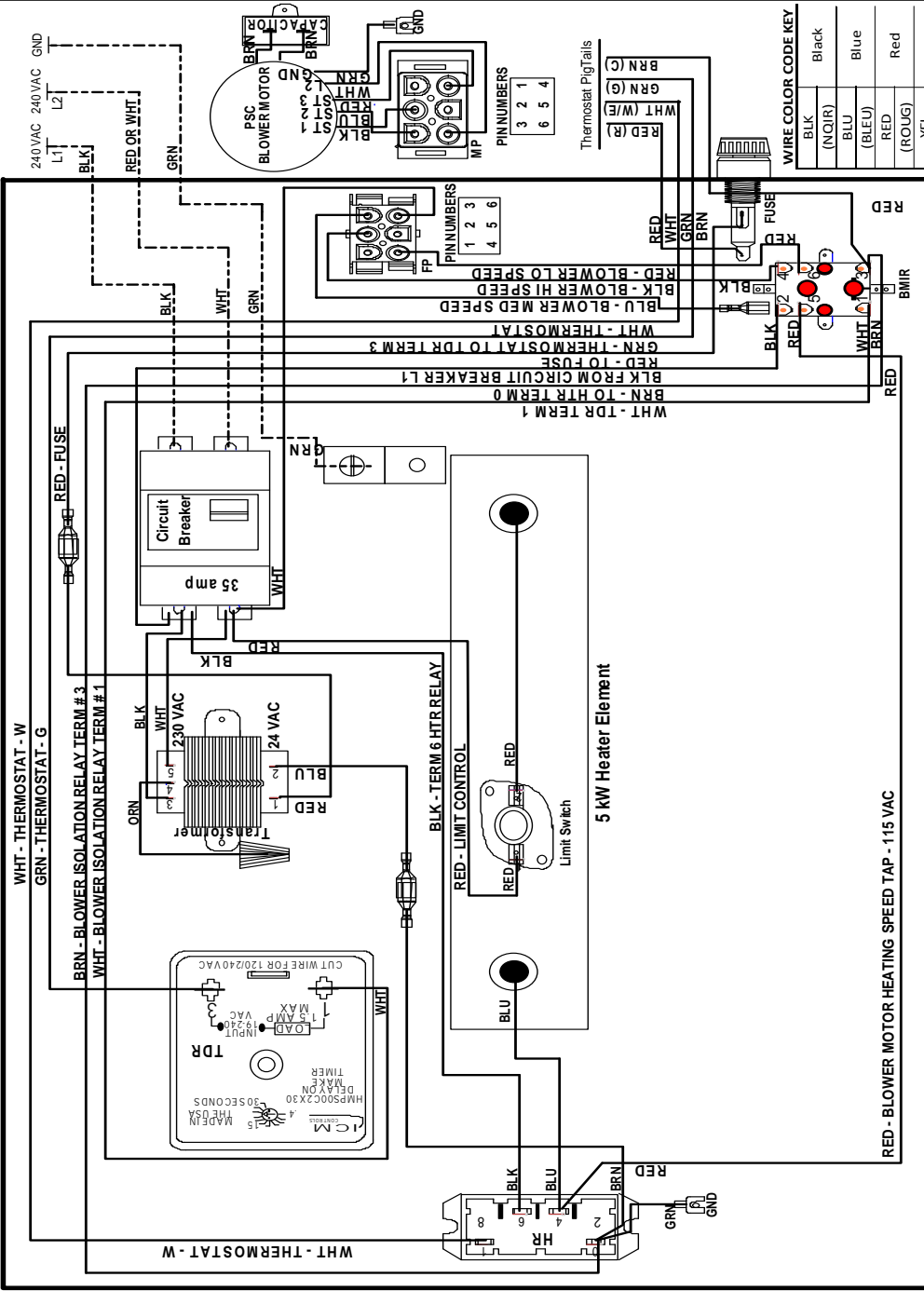
NOTE: IF ANY OF THE ORIGINAL WIRE SUPPLIED WITH THIS UNIT MUST BE REPLACED. IT MUST BE REPLACED WITH TYPE 105°C THERMOPLASTIC OR ITS EQUIVALENT

# ELECTRIC FURNACE WIRING DIAGRAM - PSC MOTOR

## LADDER DIAGRAM



## CONNECTION DIAGRAM



## NOTES

- ALL FIELD WIRING MUST BE PER THE FOLLOWING:
  - National Electrical Code (NEC) and / or
  - Canadian Electrical Code (CEC) and / or
  - State, County, Local, Regional, or City Codes.
- If any of the original wiring must be replaced; replace the wire with wire that has the same temperature rating of 221°F (105°C)
- Only use copper conductors for field wiring.
- All replacement components must be properly grounded.
- Provide circuit breaker sized to protect the wiring from the main electrical service entrance to the circuit breakers in the unit control box.
- Motors have an internal over-temperature protection.

## Control Box

- |      |                                 |
|------|---------------------------------|
| BM   | Blower Motor                    |
| BMIR | Blower Motor Isolation Relay    |
| CAP  | Capacitor                       |
| CB   | Circuit Breaker                 |
| CC1  | COMPRESSOR CONTACTOR (Y1)       |
| CC2  | COMPRESSOR CONTACTOR (Y2)       |
| FP   | Female Plug - 6 Pin             |
| GND  | Ground                          |
| HR   | Heater Relay                    |
| IT   | Transformer - 40 VA             |
| TDR  | Blower Cooling Time Delay Relay |

## LEGEND

- |       |                                       |
|-------|---------------------------------------|
| L1    | 208/230 VAC Line 1                    |
| L2    | 208/230 VAC Line 2                    |
| LS    | Limit Switch                          |
| MP    | Male Plug - 6 Pin                     |
| ST1   | Low Speed Tap - PSC Blower Motors     |
| ST2   | Med Low Speed Tap - PSC Blower Motors |
| ST3   | Medium Speed Tap - PSC Blower Motors  |
| RVS   | Reversing Valve Solenoid              |
| ----- | Field Wiring                          |
| ----- | Factory Wiring                        |

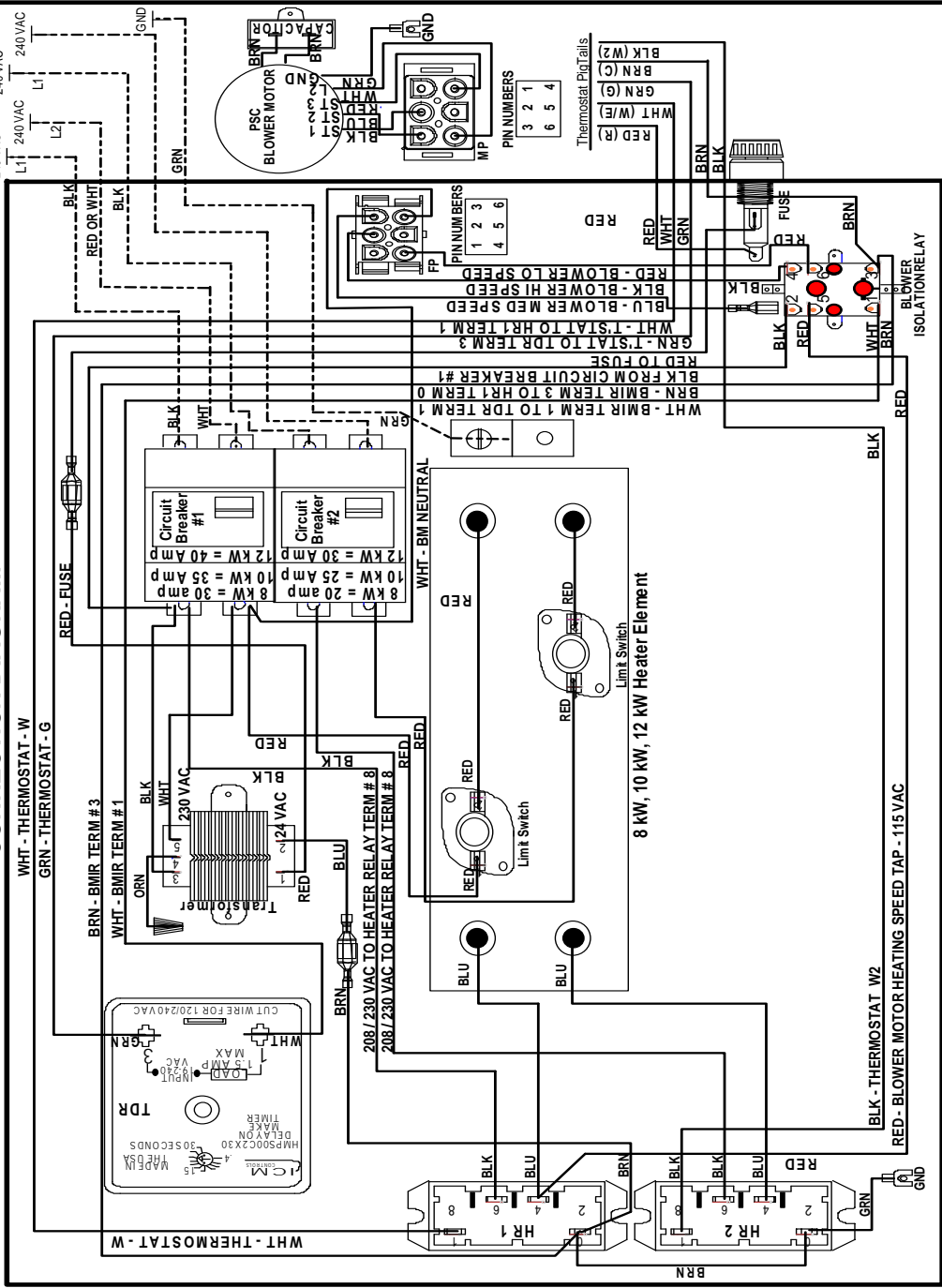
Wire Color	Code
Black	BLK
Blue	BLU
Red	RED
Yellow	YEL
White	WHT
Brown	BRN
Green	GRN
Purple	PRP
Orange	ORA

**- CAUTION -**  
Open all disconnects before servicing this unit.

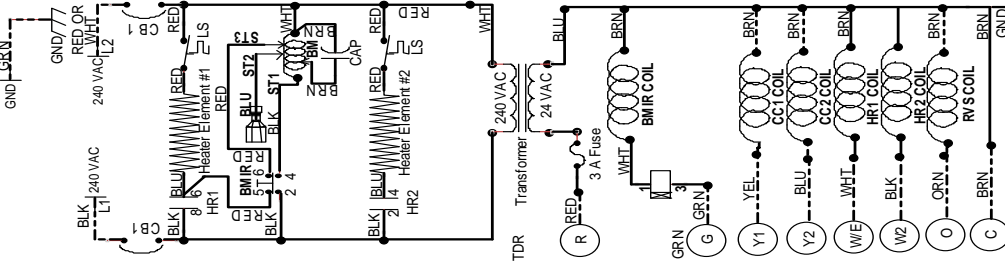
WIRING DIAGRAM #61CC0037  
FOR THE 5 kW ELECTRIC HEATER

# ELECTRIC FURNACE WIRING DIAGRAM - PSC MOTOR

## CONNECTION DIAGRAM



## LADDER DIAGRAM



**WIRE COLOR KEY**

BLK	Black
(NDR)	Black
BLU	Blue
(BLEU)	Blue
RED	Red
(ROUG)	Red
(ALIN)	Yellow
WHT	White
(BLANC)	White
BRN	Brown
(BRUN)	Brown
GRN	Green
(VERD)	Green
PRP	Purple
(POURPRE)	Purple
ORN	Orange
(ORJA)	Orange

**Blower Motor Terminals and Speed Taps**

L1 = 1/4" Spade Terminal  
 L2 = 1/4" Spade Terminal  
 GND = #8 Ring Terminal  
 T1 = 1/4" Spade Terminal - ST1 = Hi Speed  
 T2 = 1/4" Spade Terminal - ST2 = Medium Speed  
 T3 = 1/4" Spade Terminal - ST3 = Lo Speed

**LEGEND**

ISO Isolation Relay  
 L1 208 / 230 Vac Leg 1  
 L2 208 / 230 Vac Leg 2  
 LS Limit Switch  
 MP 9 Pin Male Plug  
 ST1 BM Speed Tap #1  
 ST2 BM Speed Tap #2  
 ST3 BM Speed Tap #3  
 RVS Reversing Valve Solenoid  
 --- Field Wiring  
 ——— Factory Wiring

**NOTES**

- All field wiring must be per the following:
  - A: National Electrical Code (NEC) and / or
  - B: Canadian Electrical Code (CEC) and / or
  - C: State, County, Local, Regional, or City Codes.
- If any of the original wire must be replaced; then replace the wire with wire that has the same temperature rating of at least 221 degF (105 degC).
- Only use copper conductors for field wiring.
- All replacement components must be properly grounded.
- Provide circuit breakers sized to protect wiring from main service to the control box circuit breakers.
- Motors have internal over-temperature protection.

**- CAUTION -**  
 Open all disconnects before servicing this unit

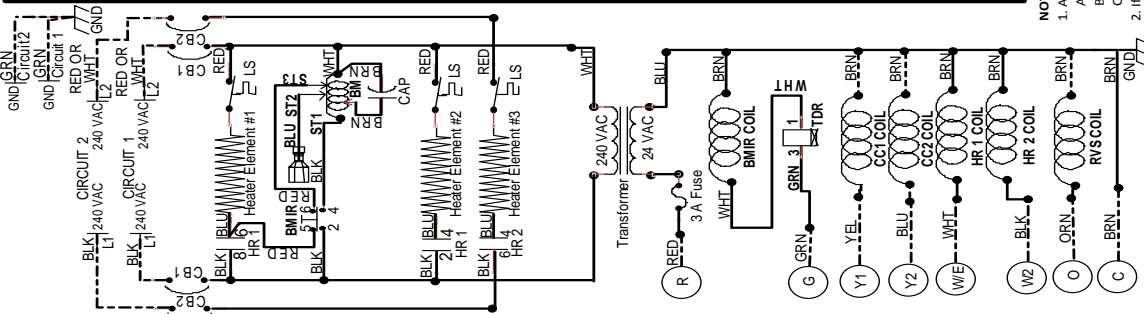
WIRING DIAGRAM # 61CC0032  
 FOR THE 8 kW, 10 kW, 12 kW TWO STAGE ELECTRIC HEATER

Figure 32: 8kW, 10kW, 12kW Two Stage Electric Heat Wiring Diagram with a PSC blower motor.  
 NOTE: IF ANY OF THE ORIGINAL WIRE SUPPLIED WITH THIS UNIT MUST BE REPLACED. IT MUST BE REPLACED WITH TYPE 105°C THERMOPLASTIC OR ITS EQUIVALENT

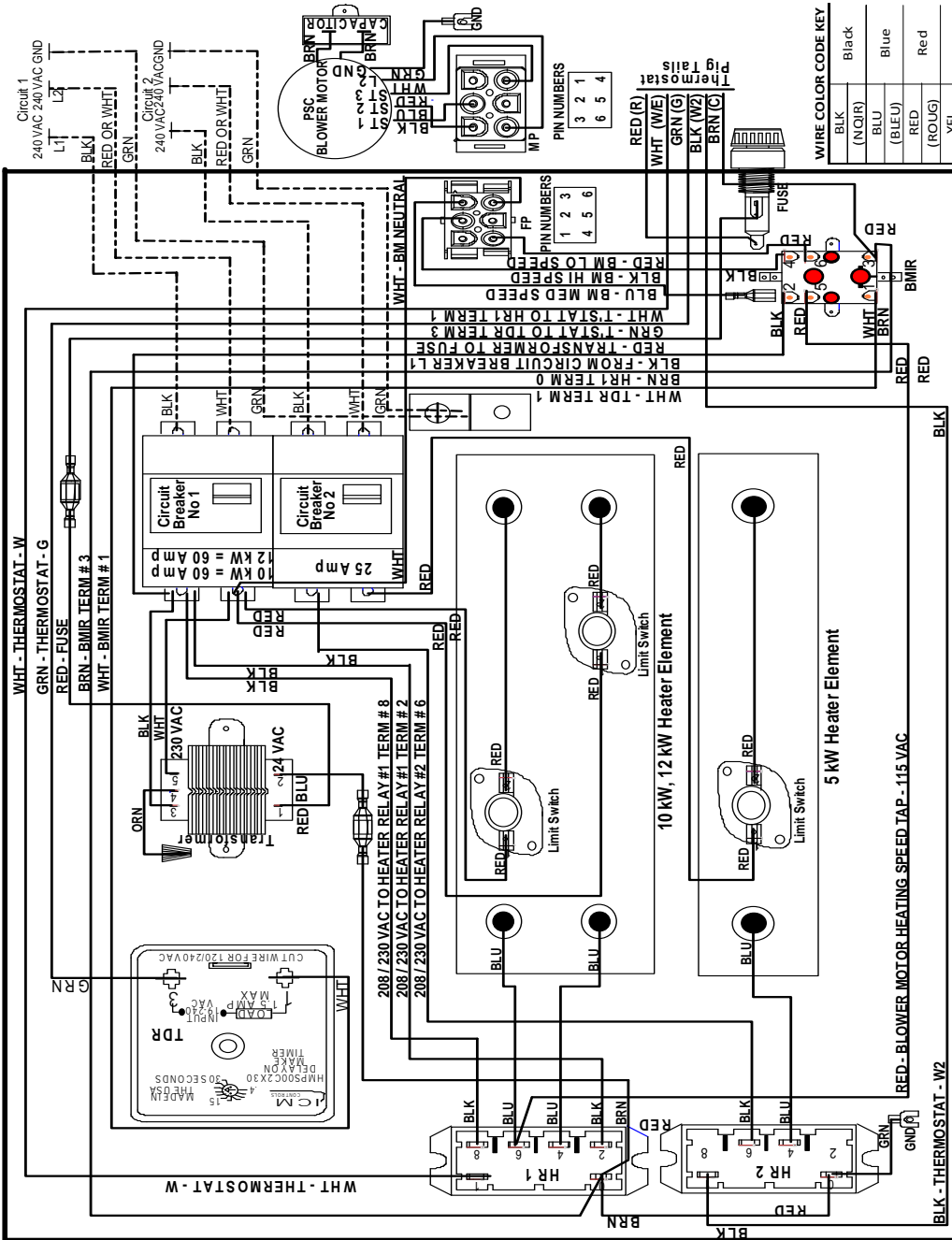


# ELECTRIC FURNACE WIRING DIAGRAM - PSC MOTOR

## LADDER DIAGRAM



## CONNECTION DIAGRAM



**NOTES**

- ALL FIELD WIRING MUST BE PER THE FOLLOWING:
  - National Electrical Code (NEC) and / or
  - Canadian Electrical Code (CEC) and / or
  - State, County, Local, Regional, or City Codes.
- If any of the original wiring must be replaced; replace the wire with wire that has the same temperature rating or 221 F (105°C)
- Only use copper conductors for field wiring.
- All replacement components must be properly grounded.
- Provide circuit breaker sized to protect the wiring from the main electrical service entrance to the circuit breakers in the unit control box.
- Motors have an internal over-temperature protection.

**Control Box**

BM	Blower Motor
BMIR	Blower Motor Isolation Relay
CAP	Capacitor
CB	Circuit Breaker
CC1	COMPRESSOR CONTACTOR (Y1)
CC2	COMPRESSOR CONTACTOR (Y2)
FP	Female Plug - 6 Pin
GRD	Ground
HR	Heater Relay
IT	Transformer - 40 VA
TDR	Blower Cooling Time Delay Relay

**LEGEND**

L1	208/230 VAC Line 1
L2	208/230 VAC Line 2
LS	Limit Switch
MP	Male Plug - 6 Pin
ST1	Low Speed Tap - PSC Blower Motors
ST2	Med Low Speed Tap - PSC Blower Motors
ST3	Medium Speed Tap - PSC Blower Motors
RVS	Reversing Valve Solenoid
----	Field Wiring
—	Factory Wiring

**WIRE COLOR CODE KEY**

BLK	Black
(NOIR)	Black
BLU	Blue
(BLU)	Blue
RED	Red
(ROUG)	Red
YEL	Yellow
(JAUN)	Yellow
WHT	White
(BLANC)	White
BRN	Brown
(BRUN)	Brown
GRN	Green
(VERT)	Green
PRP	Purple
(POURPRE)	Purple
ORN	Orange
(OR)	Orange

**WIRING DIAGRAM # 61CC0039 FOR THE 15 KW ELECTRIC HEATER**

Figure 33: 15kW Two Stage Electric Heat Wiring Diagram with a PSC blower motor.

**NOTE: IF ANY OF THE ORIGINAL WIRE SUPPLIED WITH THIS UNIT MUST BE REPLACED. IT MUST BE REPLACED WITH TYPE 105°C THERMOPLASTIC OR ITS EQUIVALENT**

# ELECTRIC FURNACE WIRING DIAGRAM - PSC MOTOR CONNECTION DIAGRAM

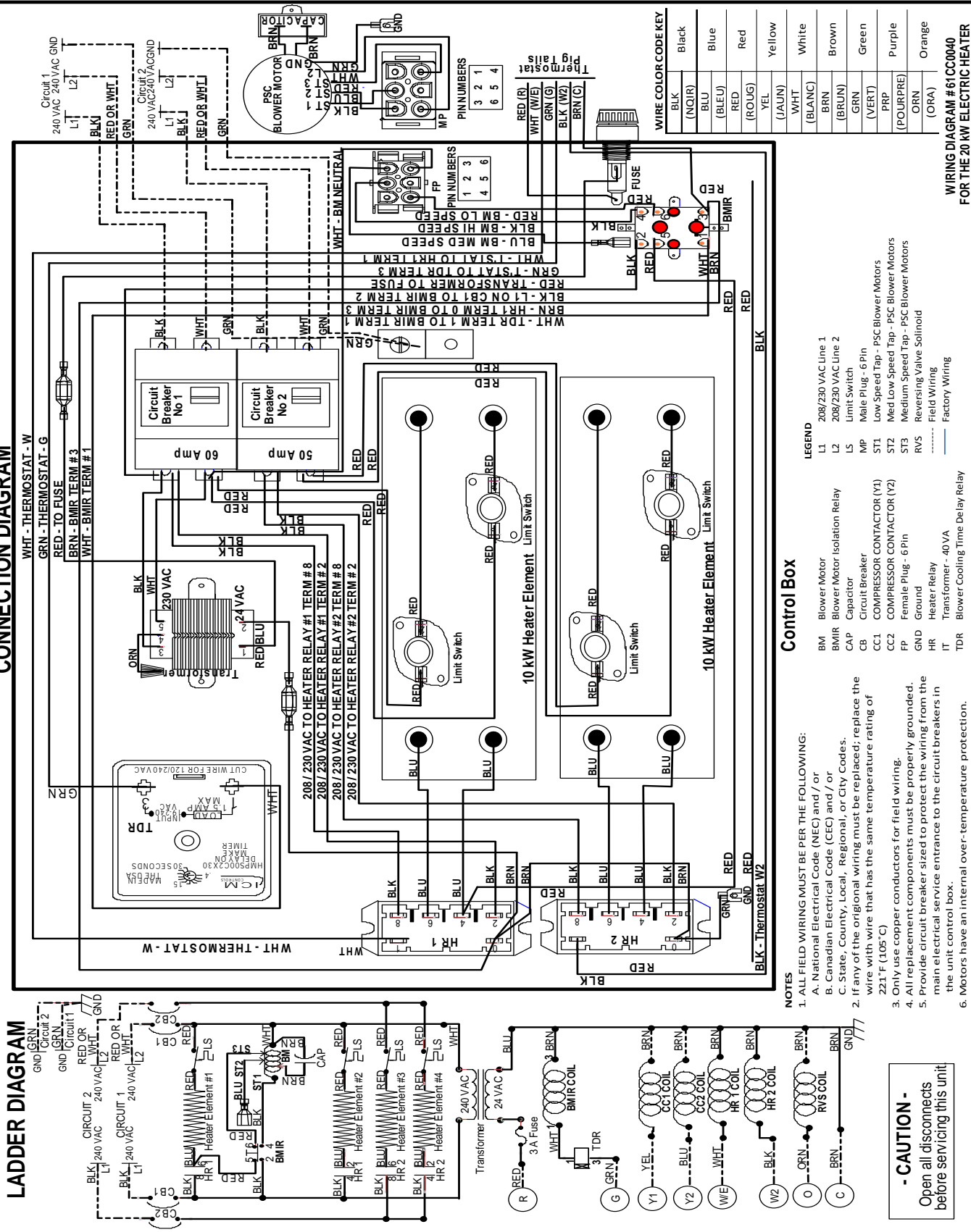
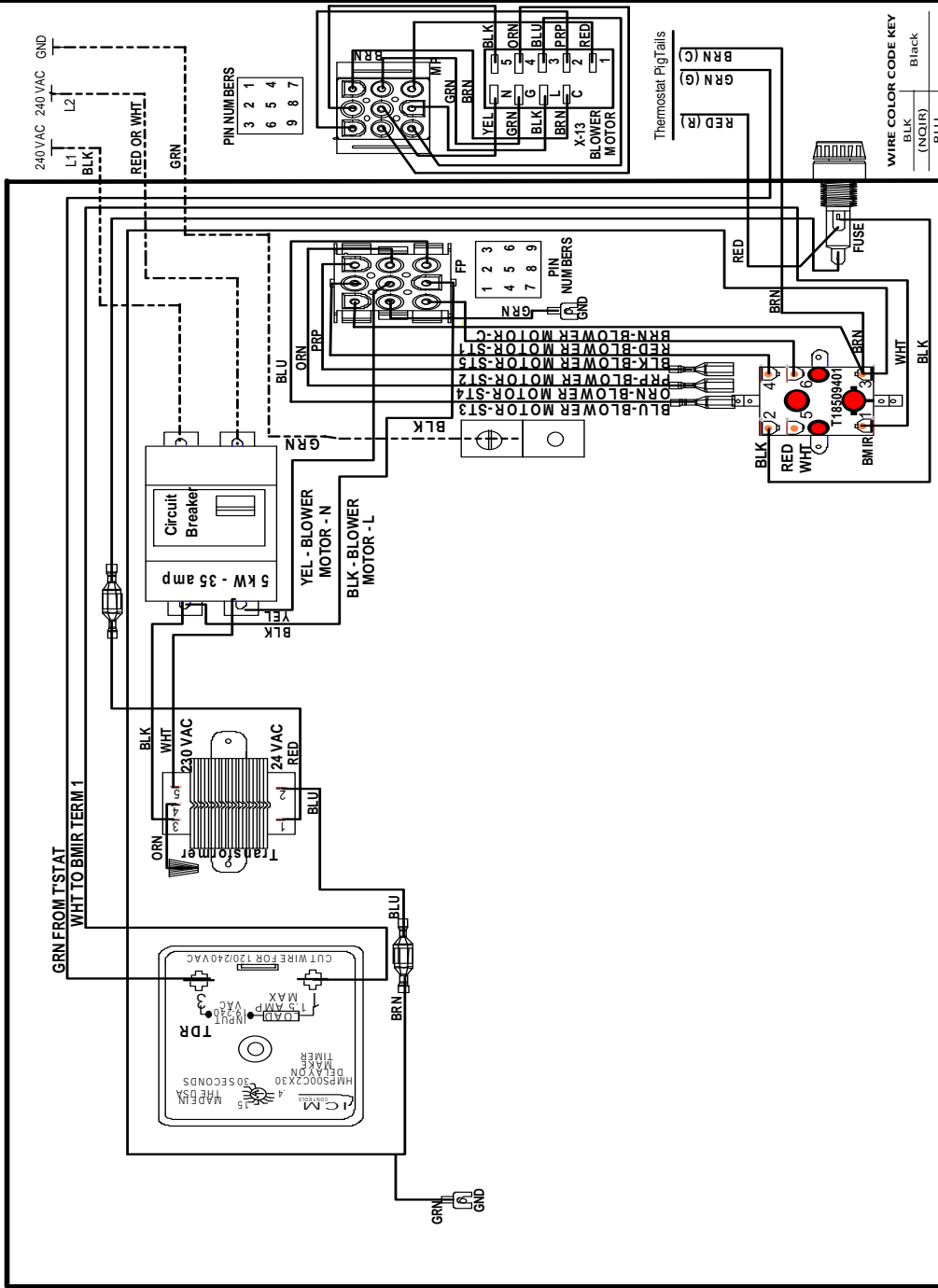


Figure 34: 20kW Two Stage Electric Heat Wiring Diagram with a PSC blower motor.

NOTE: IF ANY OF THE ORIGINAL WIRE SUPPLIED WITH THIS UNIT MUST BE REPLACED. IT MUST BE REPLACED WITH TYPE 105°C THERMOPLASTIC OR ITS EQUIVALENT

# ELECTRIC FURNACE WIRING DIAGRAM - X-13 MOTOR

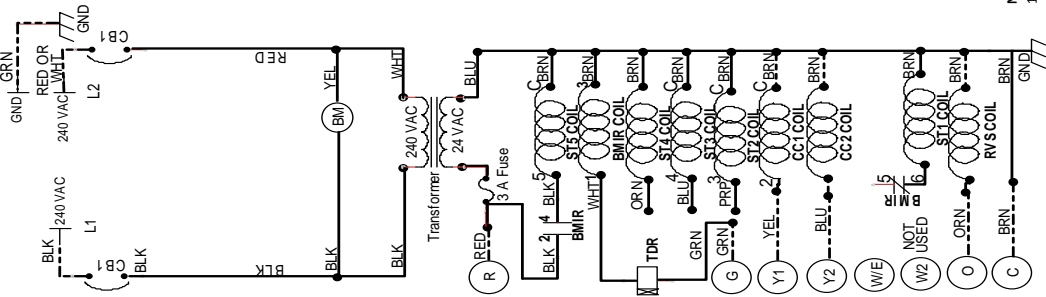
## CONNECTION DIAGRAM



**WIRING DIAGRAM # 61CC0043 FOR THE 0 kW ELECTRIC HEAT**

WIRE COLOR	KEY
BLK	Black
(NQR)	Black
BLU	Blue
(BLEU)	Blue
RED	Red
(ROUG)	Red
YEL	Yellow
(JAUN)	Yellow
WHT	White
(BLANC)	White
BRN	Brown
(BRUN)	Brown
GRN	Green
(VERT)	Green
PRP	Purple
(POURPRE)	Purple
ORN	Orange
(ORAN)	Orange

## LADDER DIAGRAM



### Blower Motor Terminals and Speed Taps

Terminal	Speed Tap
L1	3/16" Spade Terminal - Line 1
L2/N	3/16" Spade Terminal - Line 2
Com	3/16" Spade Terminal - 24 VAC Common
GND	1/4" Spade Terminal - Ground
T1	1/4" Spade Terminal - ST1 = Low Speed
T2	1/4" Spade Terminal - ST2 = Med-Low Speed
T3	1/4" Spade Terminal - ST3 = Medium Speed
T4	1/4" Spade Terminal - ST4 = Med-High Speed
T5	1/4" Spade Terminal - ST5 = High Speed

### Control Box

Symbol	Legend
BM	Blower Motor
BMIR	Blower Motor Isolation Relay
CAP	Capacitor
CB	Circuit Breaker
CC1	COMPRESSOR CONTACTOR (V1)
CC2	COMPRESSOR CONTACTOR (V2)
FP	Female Plug
GND	Ground
HR	Heater Relay
IT	Transformer - 40 VA
TDR	Blower Cooling Time Delay Relay

### NOTES

- ALL FIELD WIRING MUST BE PER THE FOLLOWING:
  - National Electrical Code (NEC) and/or
  - Canadian Electrical Code (CEC) and/or
  - State, Country, Local, Regional, or City Codes.
- If any of the original wiring must be replaced; replace the wire with wire that has the same temperature rating of 221°F (105°C)
- Only use copper conductors for field wiring.
- All replacement components must be properly grounded.
- Provide circuit breaker sized to protect the wiring from the main electrical service entrance to the circuit breakers in the unit control box.
- Motors have an internal over-temperature protection.

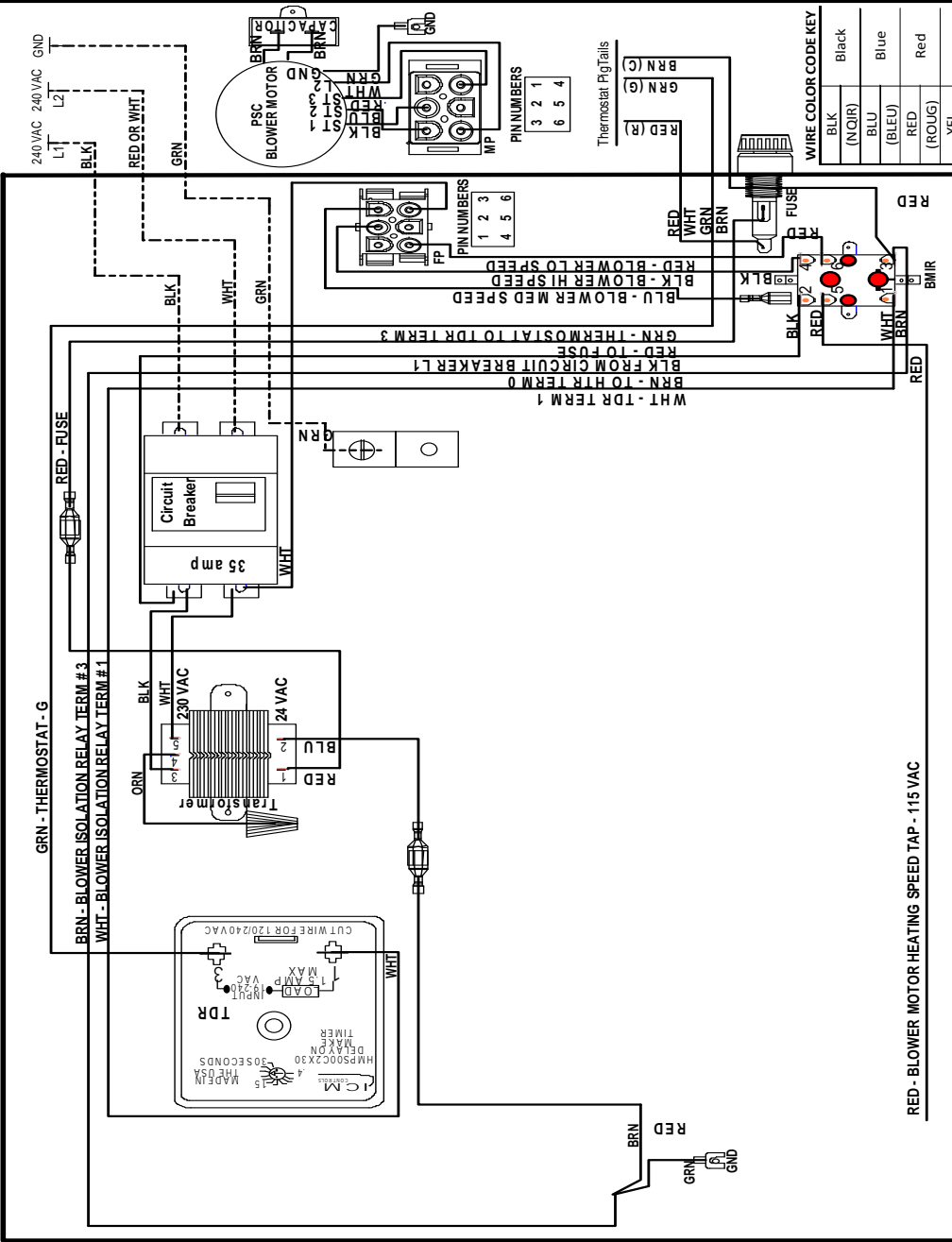
**- CAUTION -**  
Open all disconnects before servicing this unit

Figure 35: 0kW Electric Heat Wiring Diagram with a X-13 blower motor.

NOTE: IF ANY OF THE ORIGINAL WIRE SUPPLIED WITH THIS UNIT MUST BE REPLACED. IT MUST BE REPLACED WITH TYPE 105°C THERMOPLASTIC OR ITS EQUIVALENT

# ELECTRIC FURNACE WIRING DIAGRAM - PSC MOTOR

## CONNECTION DIAGRAM



### Control Box

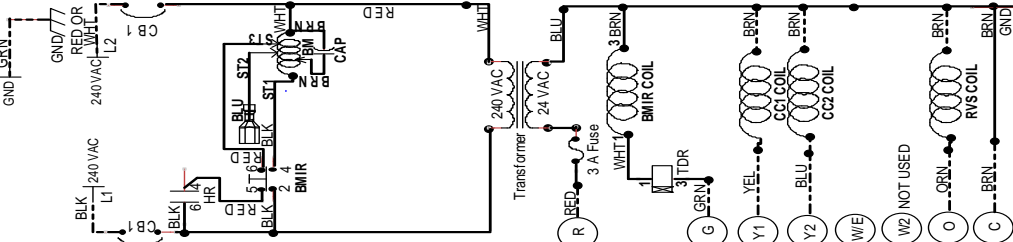
**LEGEND**

L1	208/230 VAC Line 1
L2	208/230 VAC Line 2
LS	Limit Switch
MP	Male Plug - 6 Pin
ST1	Low Speed Tap - PSC Blower Motors
ST2	Med Low Speed Tap - PSC Blower Motors
ST3	Low Speed Tap - PSC Blower Motors
RVS	Reversing Valve Solenoid
---	Field Wiring
---	Factory Wiring

BM	Blower Motor
BMIR	Blower Motor Isolation Relay
CAP	Capacitor
CB	Circuit Breaker
CC1	COMPRESSOR CONTACTOR (Y1)
CC2	COMPRESSOR CONTACTOR (Y2)
FP	Female Plug - 6 Pin
GND	Ground
HR	Heater Relay
IT	Transformer - 40VA
TDR	Blower Cooling Time Delay Relay

### LADDER DIAGRAM



- NOTES**
- ALL FIELD WIRING MUST BE PER THE FOLLOWING:
    - National Electrical Code (NEC) and / or
    - Canadian Electrical Code (CEC) and / or
    - State, County, Local, Regional, or City Codes.
  - If any of the original wiring must be replaced; replace the wire with wire that has the same temperature rating of 221°F (105°C)
  - Only use copper conductors for field wiring.
  - All replacement components must be properly grounded.
  - Provide circuit breaker sized to protect the wiring from the main electrical service entrance to the circuit breakers in the unit control box.
  - Motors have an internal over-temperature protection.

**- CAUTION -**  
Open all disconnects before servicing this unit

WIRING DIAGRAM # 61CC0042  
FOR THE 0kW ELECTRIC HEATER

Figure 36: 0kW Electric Heat Wiring Diagram with a PSC blower motor.

NOTE: IF ANY OF THE ORIGINAL WIRE SUPPLIED WITH THIS UNIT MUST BE REPLACED. IT MUST BE REPLACED WITH TYPE 105°C THERMOPLASTIC OR ITS EQUIVALENT

Subject to change without notice  
Copyright by Mortex Products Inc. 2009.

Supersedes: 61MH0017

