



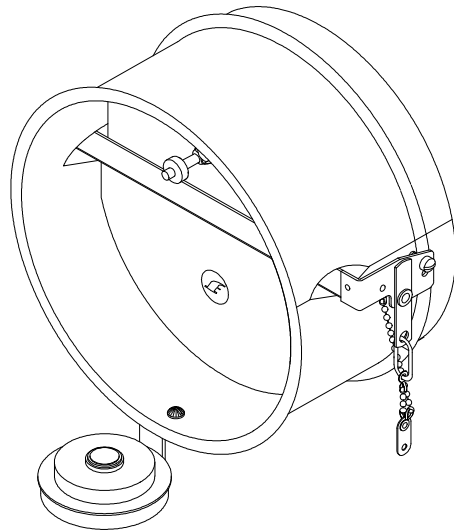
## THE FIELD CONTROLS COMPANY

2308 AIRPORT ROAD KINSTON, NC 28501 (919) 522-3031

### Mounting Location Diagrams for FTS-6 Spill Switch on Model M+MG-2 10" Through 14" Barometric Draft Control

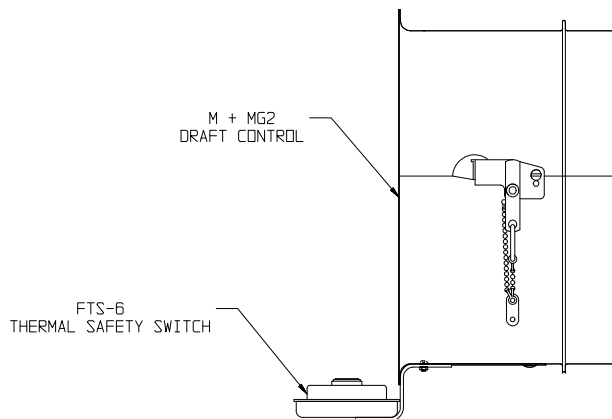
#### FTS-6 SPILL SWITCH SPECIFICATION

SWITCHING VOLTAGE	—	24VAC OR 120VAC
SWITCH OPEN TEMPERATURE	—	180° F.
SWITCH TYPE	—	NORMALLY CLOSED MANUAL RESET

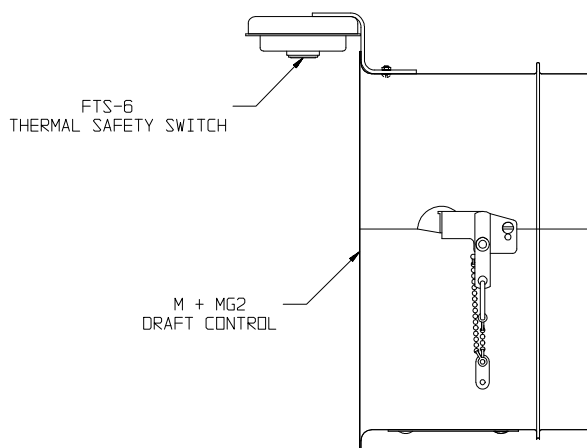


#### Typical Mounting

Location for fastest response



Optional location



Slower response

Refer to FTS-6 instruction sheet for mounting and wiring information.

ADC 46263500