

CLICK ANYWHERE on THIS PAGE to RETURN to EXPANSION TANK DRAIN PROCEDURES at InspectApedia.com

DT-2 Drain-O-Tank® Air Charger

WARNING LABEL
PART #V56873.
INSTALLED IN THIS
LOCATION. IF
MISSING, IT MUST
BE REPLACED.



Installation, Operation & Service Instructions

INSTALLER: PLEASE LEAVE THIS MANUAL FOR THE OWNER'S USE.

DESCRIPTION

The Drain-O-Tank Air Charger offers a sure, quick way to recharge a water-logged compression tank.



SAFETY INSTRUCTION

This safety alert symbol will be used in this manual to draw attention to safety related instructions. When used, the safety alert symbol means ATTENTION! BECOME ALERT! YOUR SAFETY IS INVOLVED! FAILURE TO FOLLOW THE INSTRUCTIONS MAY RESULT IN A SAFETY HAZARD.

OPERATIONAL LIMITS

Working Pressure: 125 PSIG
Temperature: 240°F

INSTALLATION INSTRUCTIONS

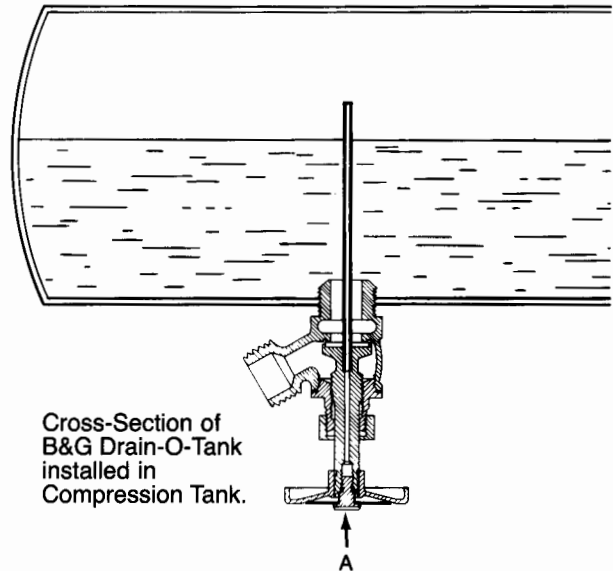
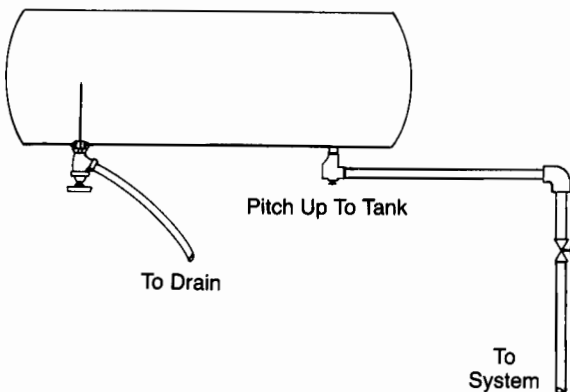
1. Isolate the compression tank in which the Drain-O-Tank is to be installed with shut off valves, or drain the system.

WARNING: Fluids under pressure and/or high at temperature can be very hazardous. Make sure that all drainage from the compression tank or system has stopped and that the system temperature has cooled to 100°F or less. Vent off any pressure prior to installation and leave drain valves open. Failure to follow these instructions could result in serious personal injury or death and property damage.

2. Apply pipe joint compound conservatively to male 1/2" NPT threads only.

CAUTION: The use of Teflon impregnated pipe compound or Teflon tape on pipe threads provides lubricity which can lead to overtightening and breakage. Do not overtighten. Failure to follow these instructions could result in property damage and/or moderate personal injury.

3. Screw Drain-O-Tank into Compression Tank fitting on bottom of tank and tighten securely.
4. Repressurize the system.



Cross-Section of B&G Drain-O-Tank installed in Compression Tank.

OPERATING INSTRUCTIONS

1. Isolate Compression Tank from the heating or cooling system.
2. Connect a hose to the Drain-O-Tank outlet connection and run hose to nearest drain.
3. Slowly open Drain-O-Tank by turning handle counterclockwise to slowly relieve pressure in the Compression Tank.
4. Remove the screw "A" in the center of the Drain-O-Tank handle to allow air to enter Compression Tank and permit water to drain out.
5. When Compression Tank is empty, close Drain-O-Tank and replace the screw "A" in the Drain-O-Tank handle and tighten securely.
6. Open Compression Tank isolation valve so that Compression Tank is repressurized by the system. If system pressure is low, it may be necessary to add water to the system to reestablish the required system operating pressure.

WARNING: Excessive system pressure will result if Compression Tank is not open to heating or cooling system. Make sure that Compression Tank isolation valve is reopened after tank water level is reduced to desired level. It may be necessary to add water to the system to reestablish the initial system fill pressure. Failure to follow these instructions could result in serious personal injury or death and property damage.

SERVICE INSTRUCTIONS

WARNING: Corrosion or leakage are indications that the Drain-O-Tank may be about to cause serious damage from leakage or rupture. It should be periodically inspected and if noted, the Drain-O-Tank must be replaced. Failure to follow these instructions could result in serious personal injury or death and property damage.

For further information, contact ITT Bell & Gossett, 8200 N. Austin Avenue, Morton Grove, IL 60053, Phone (847) 966-3700 – Facsimile (847) 966-9052.